

# INSTALLATION GUIDE

**AXIS P3353 Network Camera**

**AXIS P3354 Network Camera**

**AXIS P3363-V Network Camera**

**AXIS P3364-V Network Camera**

ENGLISH

FRANÇAIS

DEUTSCH

ITALIANO

ESPAÑOL

## About this Document

This document includes instructions for installing the AXIS P3353/P3354/P3363-V/P3364-V on your network. Previous experience of networking will be beneficial when installing the product.

## Legal Considerations

Video and audio surveillance can be prohibited by laws that vary from country to country. Check the laws in your local region before using this product for surveillance purposes. This product includes one (1) H.264 decoder license. To purchase further licenses, contact your reseller.

## Electromagnetic Compatibility (EMC)

This equipment has been designed and tested to fulfill applicable standards for:  
Radio frequency emission when installed according to the instructions and used in its intended environment.  
Immunity to electrical and electromagnetic phenomena when installed according to the instructions and used in its intended environment.

**USA** – Depending on the characteristics of the electrical environment, using shielded cables (STP) may be appropriate, in which case the following is applicable: This equipment has been tested using shielded cables (STP) and found to comply with the limits for a Class B digital device, pursuant to part 15 of the FCC Rules. These limits are designed to provide reasonable protection against harmful interference in a residential installation. This equipment generates, uses and can radiate radio frequency energy and, if not installed and used in accordance with the instructions, may cause harmful interference to radio communications. However, there is no guarantee that interference will not occur in a particular installation. If this equipment does cause harmful interference to radio or television reception, which can be determined by turning the equipment off and on, the user is encouraged to try to correct the interference by one or more of the following measures:

Reorient or relocate the receiving antenna.  
Increase the separation between the equipment and receiver.  
Connect the equipment into an outlet on a circuit different from that to which the receiver is connected.  
Consult the dealer or an experienced radio/TV technician for help

**Canada** – This Class B digital apparatus complies with Canadian ICES-003.

**Europe** – **CE** This digital equipment fulfills the requirements for RF emission according to the Class B limit of EN 55022.

This product fulfills the requirements for immunity according to EN 61000-6-1 residential, commercial and light-industry environments.

This product fulfills the requirements for immunity according to EN 61000-6-2 industrial environments.

This product fulfills the requirements for immunity according to EN 55024 office and commercial environments.

**Japan** – この装置は、クラスB 情報技術装置です。この装置は、家庭環境で使用することを目的としていますが、この装置がラジオやテレビジョン受信機に近接して使用されると、受信障害を引き起こすことがあります。取扱説明書に従って正しい取り扱いをして下さい。

**Australia** – This digital equipment fulfills the requirements for RF emission according to the Class B limit of AS/NZS CISPR 22.

## Equipment Modifications

This equipment must be installed and used in strict accordance with the instructions given in the user documentation. This equipment contains no user-serviceable components. Unauthorized equipment changes or modifications will invalidate all applicable regulatory certifications and approvals.

## Liability

Every care has been taken in the preparation of this document. Please inform your local Axis office of any inaccuracies or omissions. Axis Communications AB cannot be held responsible for any technical or typographical errors and reserves the right to make changes to the product and documentation without prior notice. Axis Communications AB makes no warranty of any kind with regard to the material contained within this document, including, but not limited to, the implied warranties of merchantability and fitness for a particular purpose. Axis Communications AB shall not be liable nor responsible for incidental or consequential damages in connection with the furnishing, performance or use of this material.

## RoHS

This product complies with both the European RoHS directive, 2002/95/EC, and the Chinese RoHS regulations, ACPEIP.



## WEEE Directive

The European Union has enacted a Directive 2002/96/EC on Waste Electrical and Electronic Equipment (WEEE Directive). This directive is applicable in the European Union member states. The WEEE marking on this product (see right) or its documentation indicates that the product must not be disposed of together with household waste. To prevent possible harm to human health and/or the environment, the product must be disposed of in an approved and environmentally safe recycling process. For further information on how to dispose of this product correctly, contact the product supplier, or the local authority responsible for waste disposal in your area.



Business users should contact the product supplier for information on how to dispose of this product correctly. This product should not be mixed with other commercial waste. For more information, visit [www.axis.com/techsup/commercial\\_waste](http://www.axis.com/techsup/commercial_waste)

## Support

Should you require any technical assistance, please contact your Axis reseller. If your questions cannot be answered immediately, your reseller will forward your queries through the appropriate channels to ensure a rapid response. If you are connected to the Internet, you can:

- download user documentation and firmware updates
- find answers to resolved problems in the FAQ database. Search by product, category, or phrases
- report problems to Axis support by logging in to your private support area.

# Safeguards

Please read through this Installation Guide carefully before installing the product. Keep the Installation Guide for further reference.

## CAUTION!

- When transporting the Axis product, use the original packaging or equivalent to prevent damage to the product.
- Store the Axis product in a dry and ventilated environment.
- Avoid exposing the Axis product to vibration, shocks or heavy pressure and do not install the camera on unstable brackets, unstable or vibrating surfaces or walls, since this could cause damage to the product.
- Only use hand tools when installing the Axis product, the use of electrical tools or excessive force could cause damage to the product.
- Do not use chemicals, caustic agents, or aerosol cleaners. Use a damp cloth for cleaning.
- Use only accessories that comply with technical specification of the product. These can be provided by Axis or a third party.
- Use only spare parts provided by or recommended by Axis.
- Do not attempt to repair the product by yourself; contact Axis or your Axis reseller for service matters.

## IMPORTANT!

- This Axis product must be used in compliance with local laws and regulations.
- To use this Axis product outdoors, it must be installed in an approved outdoor housing.

## Battery replacement

This Axis product uses a 3.0V CR2032 Lithium battery as the power supply for its internal real-time clock (RTC). Under normal conditions this battery will last for a minimum of 5 years. Low battery power affects the operation of the RTC, causing it to reset at every power-up. A log message will appear when the battery needs replacing. The battery should not be replaced unless required!

If the battery does need replacing, please contact [www.axis.com/techsup](http://www.axis.com/techsup) for assistance.

- Danger of Explosion if battery is incorrectly replaced.
- Replace only with the same or equivalent battery, as recommended by the manufacturer.
- Dispose of used batteries according to the manufacturer's instructions.

## Cleaning of dome cover

- Be careful not to scratch or damage the dome cover. Do not clean a dome cover that looks clean to the eye and never polish the surface. Excessive cleaning can damage the surface.
- For general cleaning of a dome cover it is recommended to use a non-abrasive, solvent-free neutral soap or detergent with water and a soft cloth. Rinse well with clean lukewarm water. Dry with a soft cloth to prevent water spotting.
- Never use harsh detergents, gasoline, benzene or acetone etc. and avoid cleaning in direct sunlight or at elevated temperatures.



# AXIS P3353/P3354/P3363-V/P3364-V Network Camera Installation Guide

This installation guide provides instructions for installing an AXIS P33 Network Camera on your network. For all other aspects of using the product, please see the User Manual, available on [www.axis.com](http://www.axis.com)

1. "Package contents" on page 5
2. "Hardware overview" on page 6
3. "Mount the camera" on page 7
4. "Assign an IP address" on page 8
5. "Set the password" on page 11
6. "Adjust the Lens" on page 13
7. "Complete the installation" on page 14

**Notes:**

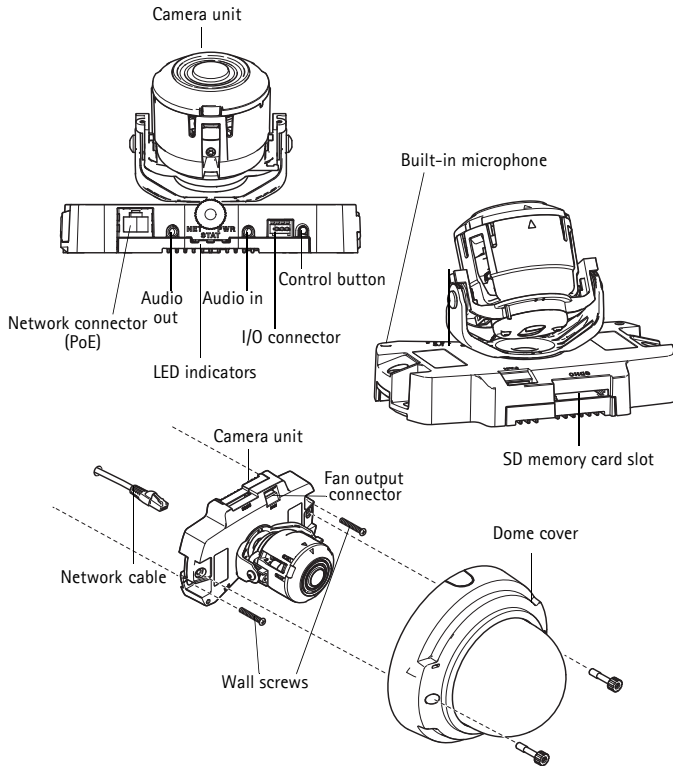
- Before you begin, make sure that the package contents, the required cables, tools, and documentation are available. See *Package contents* below.
- This network camera is intended to operate with PoE; if not available use AXIS PoE Midspan 1 port (not included).

## 1 Package contents

Item	Models/variants/notes
Network camera	AXIS P3353, AXIS P3354, AXIS P3363-V AXIS P3364-V
Dome covers	Clear transparent cover Smoked transparent cover
Labels	2 adhesive serial no. labels
Mounting kit	Resitorx screw driver, drill template, terminal block connector
CD	AXIS Network Video Product CD including installation tools and other software
Printed materials	Installation Guide (this document) Axis Warranty Document AVHS Authentication key
Optional accessories	Mounting bracket (region specific) See <a href="http://www.axis.com">www.axis.com</a> for information on available accessories

## 2 Hardware overview

Camera: P3363/P3364



**Note:** AXIS P3353 and AXIS P3354 do not support I/O or audio.

### Dimension (HxWxD)

AXIS P3353/AXIS P3354/AXIS P3363-V /AXIS P3364-V = 97 x 148 x 148 mm (3.82 x 5.83 x 5.83")

### Weight

AXIS P3353/AXIS P3354 = 430 g (0.9 lb.)

AXIS P3363-V /AXIS P3364-V = 650 g (1.4 lb.)

### 3 Mount the camera

This Axis product can be mounted with the cables routed through or along the wall. This product can also be fitted with a metal conduit for protecting the cabling when they are routed along the wall. See the illustration that follows.

#### Mount camera directly onto the wall

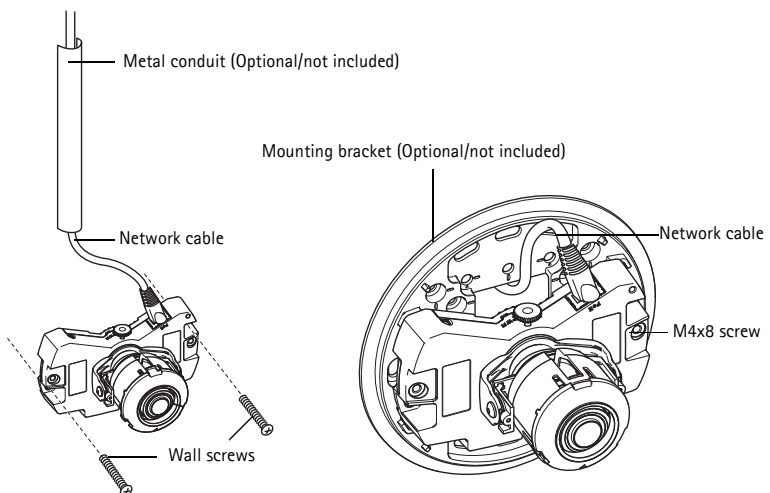
1. Using the drill template drill 2 holes in the wall.
2. Route and connect the network cable.
3. Attach the camera unit to the wall using screws and plugs appropriate for the wall material.

#### Mount camera using a mounting bracket (not included)

1. Using the drill template drill 2 holes in the wall.
2. Route the network cable through the wall and through the holes in the mounting bracket.
3. Attach the mounting bracket to the wall, using screws and plugs appropriate for the wall material.
4. Connect the network cable.
5. Optionally connect the I/O and audio cables; see page 17 for details.
6. Optionally insert the SD memory card.
7. Attach the camera unit to the mounting bracket using two appropriate screws.

#### Note:



- These instructions are for mounting the camera on a wall. The mounting bracket can also be used for mounting the network camera to a junction box.
- AXIS P3353 and AXIS P3354 do not support audio and I/O.



## 4 Assign an IP address

The network camera is designed for use on an Ethernet network and requires an IP address for access. Most networks today have a DHCP server that automatically assigns IP addresses to connected devices. If your network does not have a DHCP server, the network camera will use 192.168.0.90 as the default IP address.

AXIS IP Utility and AXIS Camera Management are the recommended methods for setting an IP address in Windows. These free applications are available on the Axis Network Video Product CD supplied with this product, or they can be downloaded from [www.axis.com/techsup](http://www.axis.com/techsup). Depending on the number of cameras you wish to install, use the method that suits you best.

Method	Recommended for	Operating system
 AXIS IP Utility See page 9	Single camera Small installations	Windows
 AXIS Camera Management See page 10	Multiple cameras Large installations Installation on a different subnet	Windows 2000 Windows XP Pro Windows 2003 Server Windows 2008 Server Windows Vista Windows 7

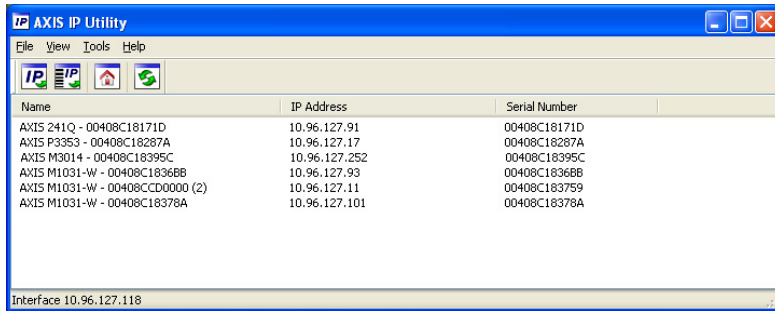
### Notes:

- If you are unable to set the IP address, check for any firewall blocking the operation.
- See page 15 for other available methods for setting or discovering the IP address of the network camera, in relation to other operating systems.



## AXIS IP Utility – single camera/ small installation

AXIS IP Utility automatically discovers and displays Axis devices on your network. You can also manually set a static IP address through this application. AXIS IP Utility is available on the Axis Network Video Product CD, or it can be downloaded from [www.axis.com/techsup](http://www.axis.com/techsup)




ENGLISH

Note that you must install the network camera on the same network segment (physical subnet) as the computer running AXIS IP Utility.

### Automatic discovery

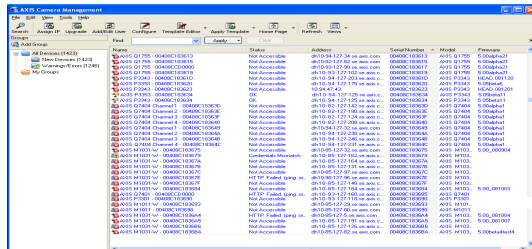
1. Check that the network camera is connected to the network and that power has been applied.
2. Start AXIS IP Utility.
3. When the camera's name appears in the window, double-click to open the camera's home page.
4. See page 11 for instructions on how to set the password.

### Set the IP address manually (optional)

1. Acquire an unused IP address on the same network segment your computer is connected to.
2. Select the network camera in the list.
3. Click the button  Assign new IP address to selected device – and enter the serial number and IP address for the network camera. The serial number is located on the product label.
4. Click the Assign button and follow on-screen instructions. Note that the camera must be restarted within two minutes for the new IP address to be set.
5. Click the Home Page button to access the camera's web pages.
6. See page 11 for instructions on how to set the password.

## AXIS Camera Management – multiple cameras/large installations


AXIS Camera Management can automatically discover multiple Axis devices, show connection status, manage firmware upgrades and set IP addresses.

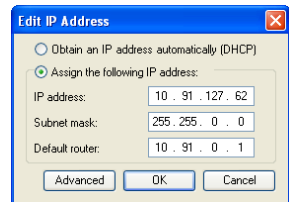


### Automatic discovery

1. Check that the camera is connected to the network and that power has been applied.
2. Start AXIS Camera Management. When the camera appears in the window, right-click the link and select Live View Home Page.
3. See page 11 for instructions on how to set the password.


### Assign an IP address in a single device

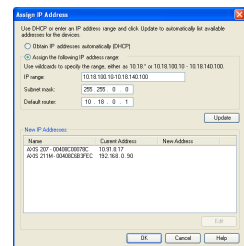
1. Select the camera in AXIS Camera Management and click the Assign IP button .
2. Select Assign the following IP address and enter the IP address, the subnet mask, and default router the device will use.
3. Click OK.



### Assign IP addresses in multiple devices

AXIS Camera Management speeds up the process of assigning IP addresses to multiple devices, by suggesting IP addresses from a specified range.

1. Select the devices you wish to configure (different models can be selected) and click the Assign IP button .
2. Select Assign the following IP address range and enter the range of IP addresses, the subnet mask, and default router the devices will use.
3. Click the OK button.



## 5 Set the password

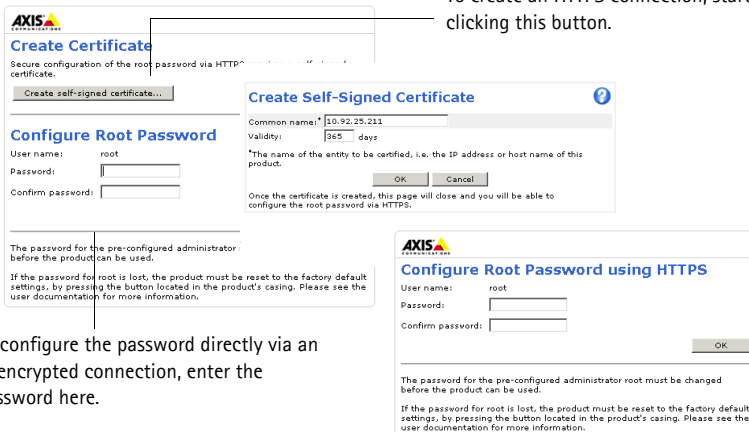
To gain access to the product, the password for the default administrator user root must be set. This is done in the **Configure Root Password** dialog, which is displayed when the network camera is accessed for the first time.

To prevent network eavesdropping when setting the root password, this can be done via an encrypted HTTPS connection, which requires an HTTPS certificate.

To set the password via a standard HTTP connection, enter it in the **Configure Root Password** window. To set the password via an encrypted HTTPS connection, follow these steps:

1. Click the **Create self-signed certificate** button.
2. Provide the requested information and click OK. The certificate is created and the password can now be set securely. All traffic to and from the network camera is encrypted from this point on.
3. Enter a password and then re-enter to confirm the spelling. Click **OK**. The password has now been configured.

To create an HTTPS connection, start by clicking this button.



To configure the password directly via an unencrypted connection, enter the password here.

4. To log in, enter the user name "root" in the dialog as requested.

**Note:** The default administrator user name root cannot be deleted.

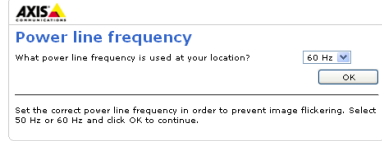
5. Enter the password as set above, and click **OK**. If the password is lost, the network camera must be reset to the factory default settings. See page 19.

If required, click Yes to install AMC (AXIS Media Control), which allows viewing of the video stream in Internet Explorer. You will need administrator rights on the computer to do this.

**Note:** To install AMC in Windows 7/Windows Vista, you must run Internet Explorer as administrator. Right-click the Internet Explorer icon and select **Run as administrator**.

6. Select the power line frequency (50 Hz or 60 Hz) used in your location from the drop-down list the first time network camera is accessed.

**Note:** Power line frequency can be changed from Plain Config or by resetting the product to factory default. Selecting the wrong frequency will cause image flicker if the product is used in fluorescent light environments. When using 50 Hz, the maximum frame rate is limited to 25 fps.



## Access the video stream

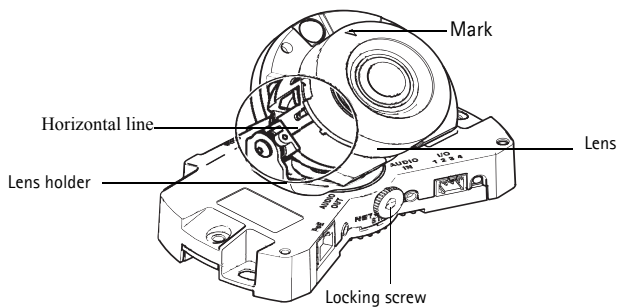
The Live View page of the network camera is displayed with links to the setup tools which allow you to customize the camera.

If required, click Yes to install AMC (AXIS Media Control), which allows viewing of the video stream in Internet Explorer. You will need administrator rights on the computer to do this.

**Note:** To install AMC in Windows 7/Windows Vista, you must run Internet Explorer as an administrator. Right-click the Internet Explorer icon and select **Run as administrator**.



## 6 Adjust the Lens



Open the **Live View** page in the web interface and make the following adjustments to the camera:

1. Loosen the locking screw.
2. Turn the lens holder to the desired position.
3. Turn the lens to ensure the (horizontal) lines on either side of the lens are aligned horizontally.

**Note:** Ensure that the mark on the lens cover, between the horizontal lines, is facing up.

4. Once satisfied, gently tighten the locking screw to secure the camera's position.
5. Open the **Focus Adjustment** page in the Web interface under **Setup > Basic Setup > Focus & Zoom**, and follow the on-screen instructions. Use the image window to adjust the zoom and focus. See the online help files for more information.

**Note:**

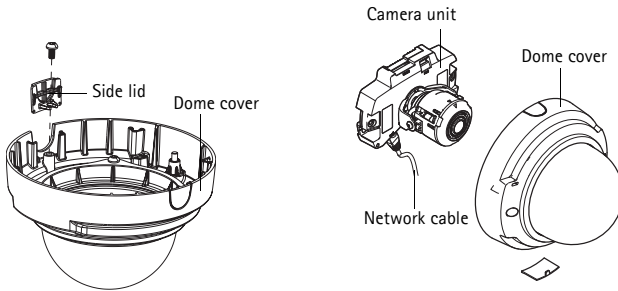
- Due to the dome's refraction, the image may appear slightly out of focus once the dome has been placed. To correct this go to the **Focus Adjustment** page in the Web interface under **Setup > Basic Setup > Focus & Zoom**, and adjust the focus again.

**Warning!** Adjusting the focus and zoom manually can damage the lens.

## 7 Complete the installation

1. If the cables are routed along the wall, remove the side lid from the camera's dome cover.
2. Rotate the black protective shield inside the dome casing to match the camera's position.
3. Clean the dome with a dry soft cloth to remove dust and finger prints and use a blower to remove dust from the lens.
4. Mount the dome casing using the supplied tamper-proof screws and screw driver. Now that the dome is in place, check that the camera is properly focused.

The installation is now complete.



## Other methods of setting the IP address

The table below shows the other methods available for setting or discovering the IP address. All methods are enabled by default, and all can be disabled.

	Use in operating system	Notes
UPnP™	Windows	When enabled on your computer, the camera is automatically detected and added to "My Network Places."
Bonjour	MAC OSX (10.4 or later)	Applicable to browsers with support for Bonjour. Navigate to the Bonjour bookmark in your browser (e.g. Safari) and click on the link to access the camera's web pages.
AXIS Dynamic DNS Service	All	A free service from Axis that allows you to quickly and simply install your camera. Requires an Internet connection with no HTTP proxy. See <a href="http://www.axiscam.net">www.axiscam.net</a> for more information.
ARP/Ping	All	See below. The command must be issued within 2 minutes of connecting power to the camera.
View DHCP server admin pages	All	To view the admin pages for the network DHCP server, see the server's own documentation.

## AXIS Video Hosting System (AVHS)

The camera can also be connected to an AVHS service for hosted video. If you have subscribed to an AVHS service, follow the instructions in the Service Provider's Installation Guide. For more information and help to find a local AVHS Service Provider, go to [www.axis.com/hosting](http://www.axis.com/hosting). The camera owner authentication key is supplied with this product. The key is associated with the camera's unique serial number (S/N) as shown on the top of the label.

**Note:** Save the key for future reference.

## Set the IP address with ARP/Ping

1. Acquire a free static IP address on the same network segment your computer is connected to.
2. Locate the serial number (S/N) on the camera's label.
3. Open a command prompt on your computer and enter the following commands:

Windows syntax	Windows example
<pre>arp -s &lt;IP Address&gt; &lt;Serial Number&gt; ping -l 408 -t &lt;IP Address&gt;</pre>	<pre>arp -s 192.168.0.125 00-40-8c-18-10-00 ping -l 408 -t 192.168.0.125</pre>
UNIX/Linux/Mac syntax	UNIX/Linux/Mac example
<pre>arp -s &lt;IP Address&gt; &lt;Serial Number&gt; temp ping -s 408 &lt;IP Address&gt;</pre>	<pre>arp -s 192.168.0.125 00:40:8c:18:10:00 temp ping -s 408 192.168.0.125</pre>

4. Check that the network cable is connected to the network camera and then start/restart the network camera, by disconnecting and reconnecting power. If PoE is used, start/restart the network camera by disconnecting and then reconnecting the network cable.
5. Close the command prompt when you see 'Reply from 192.168.0.125:...' or similar.
6. In your browser, type in `http://<IP address>` in the Location/Address field and press Enter on your keyboard.

### Notes:

- To open a command prompt in Windows: from the Start menu, select Run... and type cmd. Click OK.
- To use the ARP command on a Mac OS X, use the Terminal utility in Application > Utilities.



## Unit connectors

**Note:** AXIS P3353 and AXIS P3354 do not support audio or I/O.

**Network connector** - RJ-45 Ethernet connector. Supports Power over Ethernet.

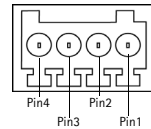
Due to local regulations or environmental and electrical conditions in which the product is to be used, a shielded network cable (STP) may be appropriate or required. Network cables that are routed in outdoor environments or similar shall be shielded (STP) and intended for their specific use. Make sure that the network switch is properly grounded. See Electromagnetic Compatibility (EMC) for regulatory requirements.

**Audio in** - 3.5mm input for a mono microphone, or a line-in mono signal (left channel is used from a stereo signal).

**Audio out** - Audio output (line level) that can be connected to a public address (PA) system or an active speaker with a built-in amplifier. A pair of headphones can also be attached. A stereo connector must be used for the audio out.

**SDHC memory card slot** - The SD memory card can be used for local recording with removable storage.

**I/O terminal connector** - Used in applications for e.g. motion detection, event triggering, time lapse recording and alarm notifications. In addition to an auxiliary power and a GND pin, it provides the interface to:



- 1 transistor output - For connecting external devices such as relays and LEDs. Connected devices can be activated by the VAPIX® Application Programming Interface (API), by the output buttons on the Live View page or by an Action Rule. The output will show as active (shown under System Options > Ports & Devices) if the alarm device is activated.
- 1 digital input - An alarm input for connecting devices that can toggle between an open and closed circuit, for example: PIRs, door/window contacts, and glass break detectors. When a signal is received the state changes and the input becomes active (shown under System Options > Ports & Devices).

Function	Pin	Notes	Specifications
GND	1	Ground	
3.3V DC Power	2	Can be used to power auxiliary equipment. <b>Note:</b> This pin can <u>only</u> be used as power out.	Max. load = 50mA
Digital Input	3	Connect to GND to activate, or leave floating (or unconnected) to deactivate.	Min. input= 0 to - 40V DC Max. input= 0 to + 40V DC
Digital Output	4	Uses an open-drain NFET transistor with the source connected to GND. If used with an external relay, a diode must be connected in parallel with the load, for protection against voltage transients.	Max. load = 100mA Max voltage = + 40V DC

## LED indicators

LED	Color	Indication
Network	Green	Steady for connection to a 100 Mbit/s network. Flashes for network activity.
	Amber	Steady for connection to 10 Mbit/s network. Flashes for network activity.
	Unlit	No network connection.
Status	Green	Steady green for normal operation.
	Amber	Steady during startup, during reset to factory default or when restoring settings.
	Red	Slow flash for failed upgrade.
Power	Green	Normal operation.
	Amber	Flashes green/amber during firmware upgrade.

## Resetting to the Factory Default Settings

This will reset all parameters, including the IP address, to the factory default settings:

1. Disconnect power from the camera.
2. Press and hold the Control button and reconnect power (see Hardware overview, on page).
3. Keep the Control button pressed for about 15 seconds until the Status indicator flashes amber.
4. Release the Control button. The process is complete after about 1 minute (when the Status indicator turns green). The network camera has been reset to the factory default settings. The default IP address is 192.168.0.90
5. Re-assign the IP address.
6. Refocus the camera.

It is also possible to reset parameters to factory default via the web interface. Go to Setup > System Options > Maintenance.

## Accessing the camera from the Internet

Once installed, your network camera is accessible on your local network (LAN). To access the camera from the Internet, network routers must be configured to allow incoming traffic, which is usually done on a specific port

- HTTP port (default port 80) for viewing and configuration
- RTSP port (default port 554) for viewing H.264 video streams

Please refer to the documentation for your router for further instructions. For more information on this and other topics, visit the Axis Support Web at [www.axis.com/techsup](http://www.axis.com/techsup)

## Further information

The user manual is available from the Axis Web site at [www.axis.com](http://www.axis.com).

To learn more about Axis' products and technologies, visit [www.axis.com/academy](http://www.axis.com/academy), global learning center for network video.

### Tip!

Visit [www.axis.com/techsup](http://www.axis.com/techsup) to check if there is updated firmware available for your Axis product. To see the currently installed firmware version, see Setup > About in your web interface.

# Mesures de sécurité

Lisez attentivement ce guide d'installation avant d'installer le produit. Conservez le guide d'installation pour une utilisation ultérieure.

## ATTENTION!

- Pour éviter d'endommager le produit Axis, utilisez l'emballage d'origine ou un emballage équivalent pour le transporter.
- Conservez le produit Axis dans un environnement sec et aéré.
- Évitez d'exposer le produit Axis à des vibrations, des chocs ou une trop forte pression et ne l'installez pas sur des supports instables, ou encore sur des surfaces ou des murs instables ou vibrants; cela risquerait de l'endommager.
- Utilisez uniquement des outils à main pour l'installation du produit Axis: l'utilisation d'outils électriques ou l'usage excessif de la force risquent de l'endommager.
- N'utilisez ni produits chimiques, ni substances caustiques, ni nettoyeurs aérosol. Utilisez un chiffon humide pour le nettoyage.
- N'utilisez que des accessoires conformes aux caractéristiques techniques du produit. Ceux-ci peuvent être fournis par Axis ou un fournisseur tiers.
- Utilisez uniquement des pièces de rechange fournies ou recommandées par Axis.
- Ne tentez pas de réparer le produit vous-même, contactez Axis ou votre revendeur Axis pour tout problème de maintenance.

## IMPORTANT!

- Ce produit Axis doit être utilisé conformément aux lois et réglementations locales en vigueur.
- Pour pouvoir être utilisé à l'extérieur, ce produit Axis doit être placé dans un boîtier d'extérieur homologué.

## Remplacement des piles

Ce produit Axis nécessite une pile au lithium CR2032 de 3V pour l'alimentation de son horloge en temps réel interne. Dans des conditions normales d'utilisation, cette pile est censée durer au moins 5ans. Si la pile est faible, le fonctionnement de l'horloge en temps réel peut être affecté et entraîner sa réinitialisation à chaque mise sous tension. Un message enregistré apparaît lorsque la pile doit être remplacée. Ne remplacez la pile que lorsque cela est nécessaire.

Si la pile doit être remplacée, veuillez contacter [www.axis.com/techsup](http://www.axis.com/techsup) pour obtenir de l'aide.

- Le remplacement incorrect de la pile peut entraîner un risque d'explosion.
- Remplacez la pile par une pile identique ou équivalente uniquement, en respectant les recommandations du fabricant.
- Jetez les piles usagées conformément aux consignes du fabricant.

## Nettoyage de la bulle du dôme

- Veillez à ne pas rayer ou endommager la bulle du dôme. Ne nettoyez pas la bulle du dôme si elle semble propre à l'œil nu et ne frottez jamais sa surface. Un nettoyage excessif peut l'endommager.
- Pour le nettoyage général de la bulle du dôme, il est recommandé d'utiliser un savon ou un détergent neutre sans solvant, non abrasif, avec de l'eau et un chiffon doux. Rincez abondamment avec de l'eau douce et tiède. Séchez à l'aide d'un chiffon doux pour éviter les salissures d'eau.
- N'utilisez jamais de détergents forts, d'essence, de benzène ou d'acétone, etc. et évitez toute exposition directe aux rayons du soleil ou à des températures élevées lors du nettoyage.

# Guide d'installation de la Caméra réseau AXIS P3353/P3354/P3363-V/P3364-V

Ce guide d'installation explique comment installer la Caméra réseau AXIS P33 sur votre réseau. Pour toute autre question concernant l'utilisation du produit, reportez-vous au manuel d'utilisation, que vous trouverez sur le site [www.axis.com](http://www.axis.com).

1. "Contenu de l'emballage" à la page 21
2. "Présentation du matériel" à la page 22
3. "Montage de la caméra" à la page 23
4. "Attribution d'une adresse IP" à la page 24
5. "Configuration du mot de passe" à la page 27
6. "Réglage de l'objectif" à la page 29
7. "Fin de l'installation" à la page 30

## Remarques :

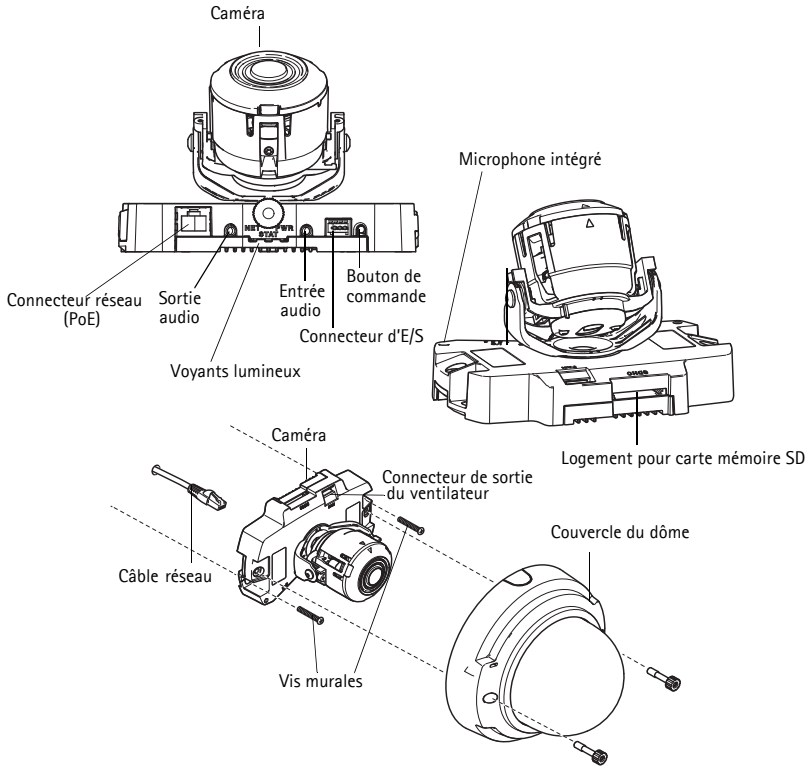
- Avant de commencer, vérifiez le contenu de l'emballage et assurez-vous que les câbles, les outils et la documentation nécessaires sont disponibles. Voir *Contenu de l'emballage* ci-dessous.
- Cette caméra réseau est conçue pour fonctionner avec un connecteur réseau (PoE). Si vous n'en disposez pas, utilisez Axis PoE Midspan à 1 port (non fourni).

## 1 Contenu de l'emballage

Élément	Modèles/variantes/remarques
Caméra réseau	AXIS P3353, AXIS P3354, AXIS P3363-V AXIS P3364-V
Bulles de dôme	Bulle transparente non fumée Bulle transparente fumée
Étiquettes	2 étiquettes adhésives portant le numéro de série
Kit de montage	Tournevis Resitorx, gabarit de perçage, connecteur de connexion
CD	CD du produit de vidéo sur IP AXIS comprenant les outils d'installation ainsi que d'autres logiciels
Documentation imprimée	Guide d'installation (le présent document) Document de garantie Axis Clé d'authentification AVHS
Accessoires en option	Support de fixation (spécifique à la région) Consultez le site <a href="http://www.axis.com">www.axis.com</a> pour plus d'informations sur les accessoires disponibles

## 2 Présentation du matériel

Caméra : P3363/P3364



**Remarque :** L'AXIS P3353 et l'AXIS P3354 ne prennent pas en charge les câbles E/S et audio.

Dimensions (H x L x P)

AXIS P3353, AXIS P3354, AXIS P3363-V, AXIS P3364-V = 97 x 148 x 148 mm

Poids

AXIS P3353, AXIS P3354 = 430 g

AXIS P3363-V, AXIS P3364-V = 650 g

### 3 Montage de la caméra

Ce produit peut être monté avec les câbles d'alimentation acheminés à travers ou le long du mur. Ce produit peut également être doté d'un conduit métallique pour protéger le câblage lors d'un acheminement des câbles le long du mur. Référez-vous à l'illustration suivante.

#### Montage de la caméra directement sur le mur

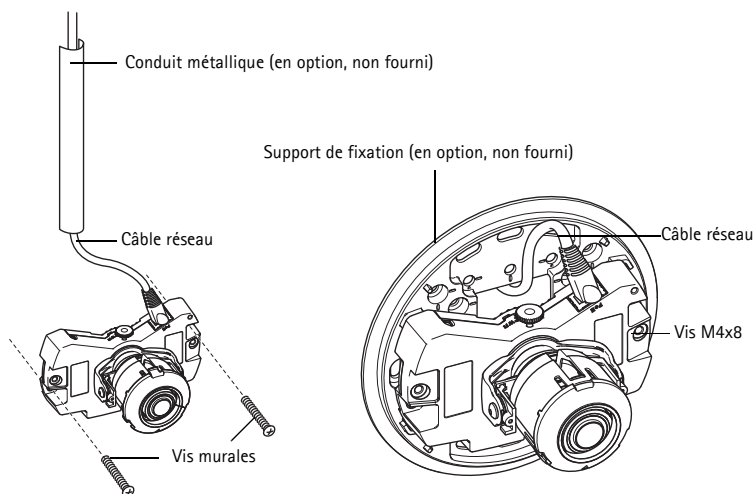
1. En vous servant du gabarit de perçage, percez 2 trous dans le mur.
2. Acheminez et branchez le câble réseau.
3. Fixez la caméra au mur à l'aide de vis et de chevilles appropriées.

#### Installez la caméra au moyen d'un support de fixation (non fourni).

1. En vous servant du gabarit de perçage, percez 2 trous dans le mur.
2. Acheminez tous les câbles à travers le mur et à travers les orifices du support de fixation.
3. Fixez le support de fixation au mur à l'aide de vis et de chevilles appropriées.
4. Branchez le câble réseau.
5. Vous pouvez aussi brancher les câbles E/S et audio. Pour plus d'informations, reportez-vous à la page 33.
6. Si vous le souhaitez, insérez la carte mémoire SD.
7. Fixez la caméra au support de fixation à l'aide de deux vis appropriées.

#### Remarque :

- Ces instructions concernent l'installation de la caméra sur un mur. Le support de fixation peut aussi être utilisé pour monter la caméra réseau à un boîtier de jonction.
- L'AXIS P3353 et l'AXIS P3354 ne prennent pas en charge les câbles E/S et audio.





## 4 Attribution d'une adresse IP

La caméra réseau est conçue pour une utilisation sur un réseau Ethernet et une adresse IP est nécessaire pour y accéder. Aujourd'hui, la plupart des réseaux comportent un serveur DHCP qui attribue automatiquement des adresses IP aux dispositifs connectés. Si votre réseau ne possède pas de serveur DHCP, la caméra réseau utilisera l'adresse IP 192.168.0.90 comme adresse IP par défaut.

Si vous souhaitez définir une adresse IP sous Windows, nous vous recommandons d'utiliser l'application AXIS IP Utility ou AXIS Camera Management. Ces deux applications gratuites sont disponibles sur le CD joint à votre produit de vidéo sur IP AXIS. Vous pouvez également les télécharger à partir du site [www.axis.com/techsup](http://www.axis.com/techsup).

Choisissez la méthode qui vous convient le mieux, selon le nombre de caméras à installer.

Méthode	Recommandée pour	Système d'exploitation
 AXIS IP Utility Voir page 25	Une seule caméra Petites installations	Windows
 Logiciel AXIS Camera Management Voir page 26	Plusieurs caméras Grandes installations Installation sur un autre sous-réseau	Windows 2000 Windows XP Pro Windows 2003 Server Windows 2008 Server Windows Vista Windows 7

### Remarques :

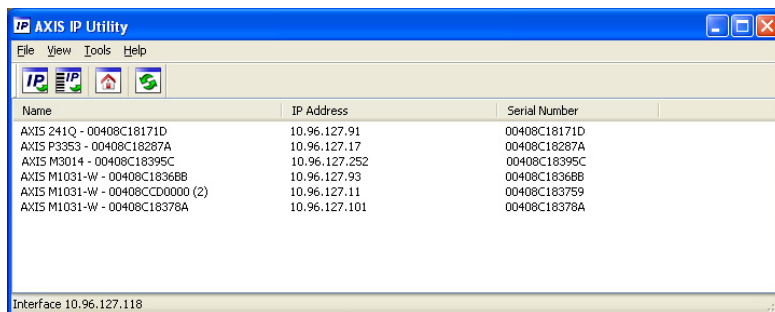
- Si vous n'arrivez pas à configurer l'adresse IP, vérifiez qu'aucun pare-feu ne bloque l'opération.
- Pour connaître les autres méthodes de configuration ou de détection de l'adresse IP de la caméra réseau sous d'autres systèmes d'exploitation, reportez-vous à la page 31.



## AXIS IP Utility – Une seule caméra/petite installation

AXIS IP Utility détecte et affiche automatiquement les périphériques présents sur votre réseau.

Cette application permet également de définir manuellement une adresse IP statique. AXIS IP Utility est disponible sur le CD accompagnant votre produit de vidéo sur IP Axis. Vous pouvez également la télécharger depuis le site [www.axis.com/techsup](http://www.axis.com/techsup).




Notez que vous devez installer la caméra réseau sur le même segment de réseau (sous-réseau physique) que l'ordinateur exécutant l'application AXIS IP Utility.

### Détection automatique

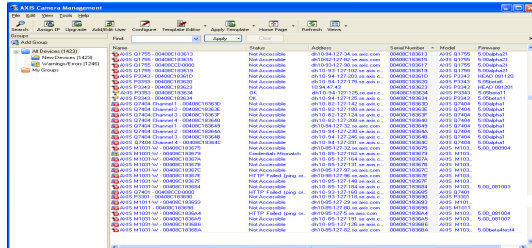
1. Vérifiez que la caméra réseau est connectée au réseau et qu'elle est sous tension.
2. Lancez AXIS IP Utility.
3. Lorsque le nom de la caméra apparaît dans la fenêtre, double-cliquez dessus pour ouvrir la page d'accueil correspondante.
4. Reportez-vous à la page 27 pour savoir comment configurer le mot de passe.

### Définir manuellement l'adresse IP (optionnel)

1. Trouvez une adresse IP non utilisée sur le même segment de réseau que celui de votre ordinateur.
2. Sélectionnez la caméra réseau dans la liste.
3. Cliquez sur le bouton  **Assign new IP address to the selected device** (Attribuer une nouvelle adresse IP au périphérique sélectionné) et saisissez le numéro de série ainsi que l'adresse IP de la caméra réseau. Le numéro de série figure sur l'étiquette du produit.
4. Cliquez sur le bouton **Assign** (Attribuer) et suivez les instructions qui s'affichent à l'écran. La caméra doit être redémarrée dans les deux minutes qui suivent pour que la nouvelle adresse IP soit prise en compte.
5. Cliquez sur le bouton **Home Page** (Page d'accueil) pour accéder aux pages web de la caméra.
6. Reportez-vous à la page 27 pour savoir comment configurer le mot de passe.

## AXIS Camera Management – Plusieurs caméras/grandes installations


AXIS Camera Management est capable de détecter automatiquement plusieurs périphériques Axis, d'afficher leur état de connexion, de gérer les mises à niveau des micrologiciels et de définir les adresses IP.

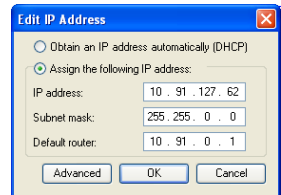


### Détection automatique

1. Vérifiez que la caméra réseau soit bien connectée au réseau et qu'elle se trouve sous tension.
2. Lancez AXIS Camera Management. Lorsque la caméra apparaît dans la fenêtre, cliquez sur le lien avec le bouton droit de la souris et sélectionnez Live View Home Page (Page d'accueil – Vidéo en direct).
3. Reportez-vous à la page 27 pour savoir comment configurer le mot de passe.


### Attribution d'une adresse IP à un seul périphérique

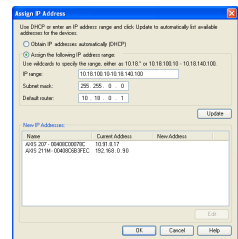
1. Sélectionnez la caméra dans l'application AXIS Camera Management, puis cliquez sur le bouton Assign IP (Attribuer une adresse IP). 
2. Sélectionnez Assign the following IP address (Attribuer l'adresse IP suivante) et saisissez l'adresse IP, le masque de sous-réseau ainsi que le routeur par défaut que le périphérique utilisera.
3. Cliquez sur OK.



### Attribution d'adresses IP à plusieurs périphériques

AXIS Camera Management accélère le processus d'attribution d'adresses IP à plusieurs périphériques en suggérant des adresses IP parmi une plage spécifiée.

1. Sélectionnez les périphériques à configurer (il peut s'agir de modèles différents), puis cliquez sur le bouton Assign IP (Attribuer adresses IP). 
2. Sélectionnez Assign the following IP address range (Attribuer la plage d'adresses IP suivante) et saisissez la plage d'adresses IP, le masque de sous-réseau ainsi que le routeur par défaut que les périphériques utiliseront.
3. Cliquez sur le bouton OK.



## 5 Configuration du mot de passe

Pour accéder au produit, le mot de passe de l'administrateur root par défaut doit être configuré. Vous pouvez le faire depuis la boîte de dialogue **Configure Root Password** (Configurer le mot de passe root) qui s'affiche lors du premier accès à la caméra réseau.

Pour éviter les écoutes électroniques lors de la configuration du mot de passe root, utilisez une connexion HTTPS cryptée nécessitant un certificat HTTPS.

Pour configurer le mot de passe avec une connexion HTTP standard, saisissez-le dans la fenêtre **Configure Root Password** (Configurer le mot de passe root). Pour configurer le mot de passe avec une connexion HTTPS cryptée, procédez comme suit :

1. Cliquez sur le bouton **Create self-signed certificate** (Créer un certificat autosigné).
2. Saisissez les informations demandées, puis cliquez sur **OK**. Le certificat est créé. Vous pouvez à présent configurer le mot de passe en toute sécurité. Tout le trafic vers et depuis la caméra réseau est désormais crypté.
3. Saisissez un mot de passe, puis saisissez-le de nouveau pour confirmation. Cliquez sur **OK**. Le mot de passe est maintenant configuré.

Pour créer une connexion HTTPS, commencez par cliquer sur ce bouton.

The first screenshot shows the 'Create Certificate' dialog box. It has a title bar with the AXIS logo and the text 'Create Certificate'. Below the title bar, it says 'Secure configuration of the root password via HTTPS requires a self-signed certificate.' There is a button labeled 'Create self-signed certificate...'. Below this is the 'Configure Root Password' dialog box, which has fields for 'User name' (root), 'Password', and 'Confirm password'. A note at the bottom says: 'The password for the pre-configured administrator before the product can be used. If the password for root is lost, the product must be reset to the factory default settings, by pressing the button located in the product's casing. Please see the user documentation for more information.'

The second screenshot shows the 'Create Self-Signed Certificate' dialog box. It has a title bar with the AXIS logo and the text 'Create Self-Signed Certificate'. Below the title bar, it says 'Common name: 10.92.25.211' and 'Validity: 365 days'. There is a note: '\*The name of the entity to be certified, i.e. the IP address or host name of this product.' There are 'OK' and 'Cancel' buttons. Below the buttons, it says: 'Once the certificate is created, this page will close and you will be able to configure the root password via HTTPS.'

The third screenshot shows the 'Configure Root Password using HTTPS' dialog box. It has a title bar with the AXIS logo and the text 'Configure Root Password using HTTPS'. Below the title bar, it has fields for 'User name: root', 'Password:', and 'Confirm password:'. There is an 'OK' button. Below the button, it says: 'The password for the pre-configured administrator root must be changed before the product can be used. If the password for root is lost, the product must be reset to the factory default settings, by pressing the button located in the product's casing. Please see the user documentation for more information.'

Pour configurer directement le mot de passe via une connexion non cryptée, saisissez le mot de passe à cet endroit.

4. Pour vous connecter, saisissez « root » comme nom d'utilisateur dans la boîte de dialogue lorsque vous y êtes invité.

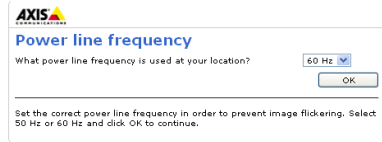
**Remarque :** Le nom d'utilisateur par défaut de l'administrateur est root et il ne peut pas être supprimé.

5. Saisissez le mot de passe de la manière indiquée ci-dessus et cliquez sur **OK**. Si vous avez oublié votre mot de passe, vous devrez rétablir les paramètres d'usine de votre caméra réseau. Reportez-vous à la page 35.

Si le système vous le demande, cliquez sur **Yes (Oui)** pour installer AMC (AXIS Media Control) afin de pouvoir visualiser les flux de données vidéo dans Internet Explorer. Pour ce faire, vous devrez être connecté à l'ordinateur avec des droits d'administrateur.

**Remarque :** Pour installer AMC sous Windows 7 ou Windows Vista, vous devez exécuter Internet Explorer en tant qu'administrateur. Cliquez avec le bouton droit de la souris sur l'icône Internet Explorer et sélectionnez Exécuter en tant qu'administrateur.

6. Dans la liste déroulante, sélectionnez la fréquence de la ligne électrique (50 Hz ou 60 Hz) utilisée pour votre installation la première fois que vous accédez à la caméra réseau.



**Remarque :** Cette fréquence de ligne électrique peut être modifiée depuis la section Plain Config (Configuration simple) ou en rétablissant les paramètres d'usine par défaut du produit. Si le produit est utilisé dans des environnements de lumières fluorescentes, le fait de sélectionner la mauvaise fréquence peut causer un clignotement de l'image. Si vous utilisez une fréquence de ligne de 50 Hz, la fréquence d'image maximale est limitée à 25 ips.

## Accès aux flux de données vidéo

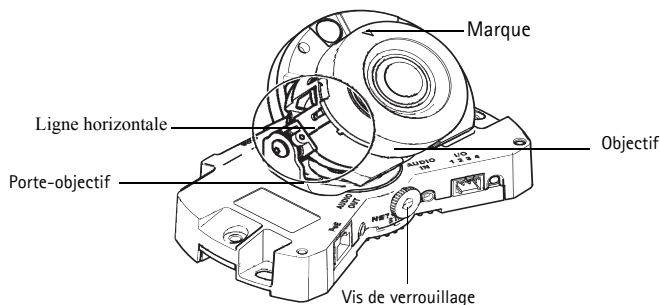
La page Live View (Vidéo en direct) de la caméra réseau s'affiche, avec des liens vers les outils de configuration permettant d'adapter la caméra à vos besoins.

Si le système vous le demande, cliquez sur Yes (Oui) pour installer AMC (AXIS Media Control) afin de pouvoir visualiser les flux de données vidéo dans Internet Explorer. Pour ce faire, vous devrez être connecté à l'ordinateur avec des droits d'administrateur.

**Remarque :** Pour installer AMC sur Windows 7/Windows Vista, vous devez utiliser Internet Explorer en tant qu'administrateur. Cliquez avec le bouton droit de la souris sur l'icône Internet Explorer et sélectionnez Exécuter en tant qu'administrateur.



## 6 Réglage de l'objectif



Ouvrez la page **Live View** (Vidéo en direct) dans l'interface Web et effectuez les réglages suivants sur la caméra :

1. Dévissez la vis de verrouillage.
2. Tournez le porte-objectif dans la position souhaitée.
3. Tournez l'objectif de manière à ce que les lignes (horizontales) de chaque côté de l'objectif soient alignées horizontalement.

**Remarque :** Assurez-vous que la marque sur le couvercle de l'objectif, entre les lignes horizontales, est dirigée vers le haut.

4. Une fois que vous avez terminé, serrez délicatement la vis de verrouillage pour bien fixer la caméra.
5. Ouvrez la page **Focus Adjustment** (Réglage de la mise au point) de l'interface Web sous **Setup > Basic Setup > Focus Et Zoom** (Configuration > Configuration de base > Mise au point et zoom), et suivez les instructions à l'écran. Utilisez la fenêtre d'image pour régler le zoom et la mise au point. Reportez-vous à l'aide en ligne pour plus d'informations.

**Remarque :**

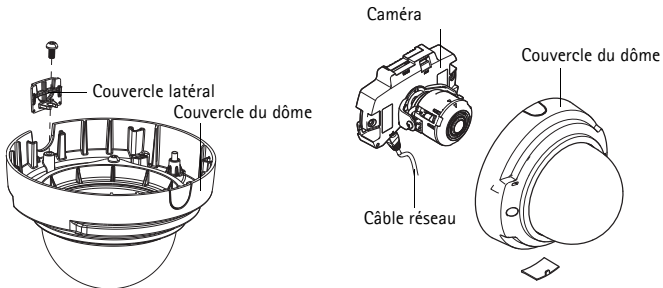
- Du fait de la réfraction du dôme, l'image peut apparaître légèrement floue une fois le dôme installé. Pour corriger l'image, ouvrez la page **Focus Adjustment** (Réglage de la mise au point) de l'interface Web sous **Setup > Basic Setup > Focus Et Zoom** (Configuration > Configuration de base > Mise au point et zoom) et réglez à nouveau la mise au point.

**Avvertissement !** Le réglage manuel de la mise au point et du zoom peut endommager l'objectif.

## 7 Fin de l'installation

1. Si les câbles doivent être acheminés le long du mur, enlevez le couvercle latéral de la bulle du dôme de la caméra.
2. Tournez l'écran protecteur noir à l'intérieur du boîtier du dôme, conformément à la position de la caméra.
3. Nettoyez le dôme à l'aide d'un chiffon doux et sec pour enlever la poussière et les traces de doigts. Dépoussiérez l'objectif avec un ventilateur.
4. Montez le boîtier du dôme à l'aide des vis inviolables et du tournevis fournis. Une fois le dôme en place, faites une vérification de la mise au point de la caméra.

L'installation est maintenant terminée.



## Autres méthodes de configuration de l'adresse IP

Le tableau ci-dessous indique les autres méthodes permettant de configurer ou de déterminer l'adresse IP. Toutes les méthodes sont activées par défaut et peuvent être désactivées.

	Utilisation sous le système d'exploitation	Remarques
UPnP™	Windows	Lorsque la caméra est activée sur votre ordinateur, elle est détectée et ajoutée automatiquement au dossier « My Network Places » (Favoris réseau).
Bonjour	MAC OSX (10.4 ou version ultérieure)	Pour les navigateurs compatibles avec Bonjour. Accédez au signet de Bonjour dans votre navigateur (par exemple Safari), puis cliquez sur le lien permettant d'accéder aux pages web de la caméra.
AXIS Dynamic DNS Service	Tous	Service Axis gratuit permettant d'installer rapidement et facilement votre caméra. Nécessite une connexion Internet sans proxy HTTP. Pour plus d'informations, rendez-vous sur <a href="http://www.axiscam.net">www.axiscam.net</a> .
ARP/Ping	Tous	Voir ci-dessous. La commande doit être saisie dans les 2 minutes suivant la mise sous tension de la caméra.
Affichage des pages administratives du serveur DHCP	Tous	Pour consulter les pages administratives du serveur DHCP réseau, reportez-vous à la documentation du serveur.

### AXIS Video Hosting System (AVHS)

Vous pouvez également connecter la caméra à un service AVHS pour les vidéos hébergées. Si vous vous êtes inscrit à un service AVHS, suivez les instructions décrites dans le Guide d'installation du fournisseur de service. Pour plus d'informations et pour vous aider à trouver un fournisseur local de service AVHS, rendez-vous sur [www.axis.com/hosting](http://www.axis.com/hosting).

La clé d'authentification du propriétaire de la caméra est fournie avec ce produit. Elle est associée au numéro de série (S/N) unique de la caméra figurant en haut de l'étiquette.

**Remarque :** Enregistrez la clé pour référence ultérieure.

## Configuration de l'adresse IP à l'aide d'ARP/Ping

1. Trouvez une adresse IP statique inutilisée sur le même segment de réseau que celui de votre ordinateur.
2. Repérez le numéro de série (S/N) sur l'étiquette de la caméra.
3. Ouvrez une invite de commandes sur votre ordinateur et saisissez les commandes suivantes :

Syntaxe pour Windows	Exemple pour Windows
arp -s <adresse IP> <numéro de série> ping -l 408 -t <adresse IP>	arp -s 192.168.0.125 00-40-8c-18-10-00 ping -l 408 -t 192.168.0.125
Syntaxe pour UNIX/Linux/Mac	Exemple pour UNIX/Linux/Mac
arp -s <adresse IP> <numéro de série> temp ping -s 408 <adresse IP>	arp -s 192.168.0.125 00:40:8c:18:10:00 temp ping -s 408 192.168.0.125

4. Vérifiez que le câble réseau est connecté à la caméra réseau, puis démarrez/redémarrez cette dernière en débranchant puis en rebranchant l'alimentation. Si vous utilisez PoE, démarrez/redémarrez la caméra réseau en débranchant puis en rebranchant le câble réseau.
5. Fermez l'invite de commandes lorsque vous voyez apparaître « Reply from 192.168.0.125:... » (Réponse de 192.168.0.125 : ...) ou un message similaire.
6. Dans votre navigateur, tapez `http://<adresse IP>` dans le champ Emplacement/Adresse, puis appuyez sur la touche Entrée de votre clavier.

### Remarques :

- Pour ouvrir une invite de commande sous Windows : dans le menu Démarrer, sélectionnez Exécuter... et tapez cmd. Cliquez sur OK.
- Pour utiliser la commande ARP sous Mac OS X, utilisez l'utilitaire Terminal dans Application > Utilitaires.



## Connecteurs de l'unité

**Remarque** : L'AXIS P3353 et l'AXIS P3354 ne prennent pas en charge les câbles E/S et audio.

**Connecteur réseau** : connecteur Ethernet RJ-45. Compatible avec l'alimentation par Ethernet.

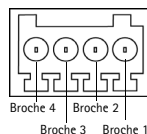
Conformément aux réglementations locales ou environnementales et compte tenu des conditions électriques dans lesquelles le produit doit être utilisé, un câble réseau blindé (STP) peut convenir, voire s'avérer obligatoire. Les câbles réseau acheminés dans des environnements extérieurs ou similaires doivent être blindés (STP) et conçus pour cet usage spécifique. Assurez-vous que le commutateur réseau soit correctement mis à la terre. Pour consulter les réglementations correspondantes, reportez-vous à la section Compatibilité électromagnétique.

**Entrée audio** : entrée de 3,5 mm pour microphone mono ou signal mono avec entrée de haut niveau (le canal de gauche est utilisé pour le signal stéréo).

**Sortie audio** : sortie audio (niveau de ligne) qui peut être connectée à un système d'annonce publique ou à un haut-parleur actif avec amplificateur intégré. Il est également possible de connecter une paire d'écouteurs. Un connecteur stéréo doit être utilisé pour la sortie audio.

**Logement de carte mémoire SDHC** : la carte mémoire SD peut être utilisée pour l'enregistrement local avec stockage amovible.

**Connecteur pour terminaux E/S** : Utilisé dans le cadre d'applications telles que la détection de mouvements, le déclenchement d'événements, l'enregistrement à intervalles et les notifications d'alarmes. En plus d'une alimentation auxiliaire et d'une broche GND, il assure l'interface avec :



- 1 sortie transistor, qui permet de connecter des périphériques externes, comme des relais ou des DEL. Les périphériques connectés peuvent être activés par l'interface de programmation d'applications (API) VAPIX, à l'aide des boutons de sortie sur la page Live View (Vidéo en direct) ou par une règle d'action. La sortie est considérée comme étant active (comme indiqué dans System Options > Ports Et Devices (Options Système > Ports Et Dispositifs)) si le dispositif d'alarme est activé.

- 1 entrée numérique : une entrée d'alarme utilisée pour connecter des périphériques pouvant passer d'un circuit ouvert à un circuit fermé, soit par exemple : des détecteurs infrarouges passifs, des contacts de porte/fenêtre et des détecteurs de bris de verre. Lorsqu'un signal est reçu, l'état change et l'entrée devient active (comme indiqué dans System Options > Ports Et Devices (Options Système > Port Et Dispositifs)).

Fonction	Broche	Remarques	Caractéristiques techniques
GND (Terre)	1	Mise à la terre	
Alimentation 3,3 V CC	2	Peut servir à alimenter le matériel auxiliaire. <b>Remarque</b> : la broche peut être utilisée <u>uniquement</u> comme sortie d'alimentation.	Charge max. = 50 mA
Entrée numérique	3	La connecter à la terre pour l'activer ou la laisser flotter (ou déconnectée) pour ne pas l'activer.	Entrée minimum = de 0 à - 40 V CC Entrée maximum = de 0 à + 40 V CC
Sortie numérique	4	Utilise un transistor NFET à drain ouvert avec la source connectée à la terre. En cas d'utilisation avec un relais externe, une diode doit être connectée en parallèle avec la charge, en guise de protection contre les tensions transitoires.	Charge max. = 100 mA Tension maximale = + 40 V CC

## Voyants lumineux

Voyant	Couleur	Indication
Réseau	Vert	Continu en cas de connexion à un réseau de 100 Mbit/s. Clignote en cas d'activité réseau.
	Orange	Continu en cas de connexion à un réseau de 10 Mbit/s. Clignote en cas d'activité réseau.
	Éteint	Pas de connexion réseau.
État	Vert	Vert continu en cas de fonctionnement normal.
	Orange	En continu pendant le démarrage, la réinitialisation des valeurs d'usine par défaut ou la restauration des paramètres.
	Rouge	Clignote lentement en cas d'échec de la mise à niveau.
Alimentation	Vert	Fonctionnement normal.
	Orange	Le voyant vert/orange clignote pendant la mise à niveau des micrologiciels.

## Rétablissement des paramètres d'usine par défaut

Procédez comme suit pour rétablir les paramètres par défaut définis en usine et réinitialiser l'adresse IP :

1. Mettez la caméra hors tension.
2. Maintenez le bouton de commande enfoncé tout en remettant l'appareil sous tension (reportez-vous à la Présentation du matériel, page).
3. Appuyez sur le bouton de commande pendant environ 15 secondes jusqu'à ce que le témoin d'alimentation passe à l'orange.
4. Relâchez le bouton de commande. Le processus prend fin après environ 1 minute (lorsque le voyant d'état devient vert). Les paramètres d'usine de la caméra réseau ont été rétablis. L'adresse IP par défaut est 192.168.0.90.
5. Réattribuez l'adresse IP.
6. Recommencez la mise au point de la caméra.

Il est également possible de rétablir les paramètres d'usine à partir de l'interface web. Cliquez sur Setup > System Options > Maintenance (Configuration > Options système > Maintenance).

## Accès à la caméra par Internet

Une fois installée, votre caméra réseau est accessible sur votre réseau local (LAN). Pour y accéder par Internet, les routeurs réseau doivent être configurés pour autoriser le trafic entrant, ce qui est généralement réalisé sur un port spécifique :

- Le port HTTP (port 80 par défaut) pour l'affichage et la configuration
- Le port RTSP (port 554 par défaut) pour l'affichage des flux de données vidéo H.264

Pour plus d'informations, veuillez vous reporter à la documentation du routeur. Pour plus d'informations à ce sujet ou pour toute autre question, consultez la page d'assistance technique d'Axis à l'adresse [www.axis.com/techsup](http://www.axis.com/techsup).

## Plus d'informations

Le manuel de l'utilisateur est disponible sur le site web d'Axis à l'adresse [www.axis.com](http://www.axis.com).

Pour en savoir plus sur les produits et les technologies d'Axis, rendez-vous sur [www.axis.com/academy](http://www.axis.com/academy), le centre de formation mondial pour la vidéo sur IP.

### Conseil utile !

Consultez le site [www.axis.com/techsup](http://www.axis.com/techsup) pour vérifier si des mises à jour des micrologiciels sont disponibles pour votre produit Axis. Pour connaître la version du micrologiciel actuellement installée, reportez-vous à la page Setup > About (Configuration > À propos de) dans votre interface web.

# Sicherheitsvorkehrungen

Bitte lesen Sie zunächst diese Installationsanleitung vollständig durch, bevor Sie mit der Installation Ihres Produkts beginnen. Halten Sie die Installationsanleitung bereit, falls Sie darauf zurückgreifen müssen.

## VORSICHT!

- Transportieren Sie das Axis-Produkt nur in der Originalverpackung bzw. in einer vergleichbaren Verpackung, damit das Produkt nicht beschädigt wird.
- Lagern Sie das Axis-Produkt in einer trockenen und belüfteten Umgebung.
- Achten Sie darauf, dass das Axis-Produkt keinen Erschütterungen, Stößen oder starkem Druck ausgesetzt ist und montieren Sie die Kamera nicht auf instabilen Halterungen oder auf instabilen und vibrierenden Oberflächen oder Wänden. Dies könnte zu Beschädigungen des Produkts führen.
- Verwenden Sie keine elektrischen Werkzeuge zur Montage des Axis-Produkts, da diese das Produkt beschädigen könnten.
- Verwenden Sie keine chemischen, ätzenden oder Aerosol-Reinigungsmittel. Verwenden Sie zur Reinigung ein feuchtes Tuch.
- Verwenden Sie nur Zubehör, das den technischen Spezifikationen des Produkts entspricht. Dieses ist von Axis oder Drittenbietern erhältlich.
- Verwenden Sie nur Ersatzteile, die von Axis empfohlen bzw. bereitgestellt wurden.
- Versuchen Sie nicht, das Produkt selbst zu reparieren. Wenden Sie sich bei Service-Angelegenheiten an Axis oder an Ihren Axis-Händler.

## WICHTIG!

- Verwenden Sie dieses Axis-Produkt unter Beachtung der geltenden rechtlichen Bestimmungen.
- Um dieses Axis-Produkt im Freien zu verwenden, muss es in einem zugelassenen Außengehäuse installiert werden.

## Batteriewechsel

Dieses Axis-Produkt ist mit einer 3,0V CR2032 Lithium-Batterie ausgestattet, mit der die interne Echtzeituhr (RTC) versorgt wird. Unter normalen Bedingungen hält die Batterie mindestens 5Jahre. Bei entladener Batterie ist der Betrieb der Echtzeituhr nicht mehr ausreichend gewährleistet, sodass die Uhr bei jedem Systemstart zurückgesetzt wird. Sie erhalten eine Protokollnachricht, wenn ein Batteriewechsel erforderlich ist. Die Batterie sollte erst bei Bedarf gewechselt werden.

Unter „[www.axis.com/techsup](http://www.axis.com/techsup)“ finden Sie Informationen darüber, was Sie beim Austausch der Batterie beachten müssen.

- Explosionsgefahr bei fehlerhaftem Batteriewechsel!
- Die Batterie muss durch dasselbe oder ein gleichwertiges Fabrikat ersetzt werden, das vom Hersteller zugelassen ist.
- Verbrauchte Batterien sind gemäß Herstelleranweisungen zu entsorgen.

## Reinigen der Kuppelabdeckung

- Achten Sie darauf, die Kuppelabdeckung nicht zu zerkratzen oder zu beschädigen. Reinigen Sie die Kuppelabdeckung nicht, solange sie sauber aussieht, und polieren Sie niemals die Oberfläche. Übermäßiges Reinigen kann die Oberfläche beschädigen.
- Zur allgemeinen Reinigung einer Kuppelabdeckung wird die Verwendung einer nicht aggressiven, lösungsmittelfreien neutralen Seife bzw. eines solchen Reinigungsmittels zusammen mit Wasser und einem weichen Tuch empfohlen. Spülen Sie gut mit sauberem, lauwarmem Wasser nach. Trocknen Sie die Kuppelabdeckung mit einem weichen Tuch ab, um Wasserflecken zu vermeiden.
- Verwenden Sie niemals scharfe Reinigungsmittel, Benzin, Benzol, Aceton o.Ä. und führen Sie die Reinigung nicht unter direkter Sonneneinstrahlung oder bei hohen Temperaturen durch.

# AXIS P3353/P3354/P3363-V/P3364-V Netzwerk-Kamera Installationsanleitung

In dieser Anleitung wird die Installation der AXIS P33 Netzwerk-Kamera in einem Netzwerk beschrieben. Alle weiteren Hinweise zur Verwendung des Produkts finden Sie im Benutzerhandbuch, das auf unserer Website unter „www.axis.com“ zur Verfügung steht.

1. „Inhalt des Produktpakets“ auf Seite 37
2. „Hardwareübersicht“ auf Seite 38
3. „Montieren der Kamera“ auf Seite 39
4. „Zuweisen einer IP-Adresse“ auf Seite 40
5. „Festlegen des Kennworts“ auf Seite 43
6. „Anpassen des Objektivs“ auf Seite 45
7. „Installation abschließen“ auf Seite 46

## Hinweise:

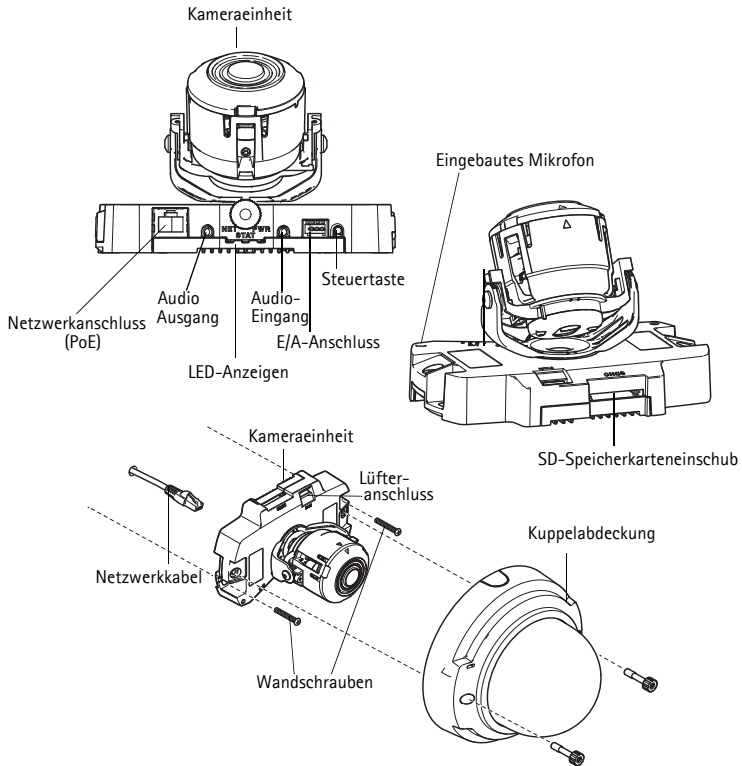
- Stellen Sie vor der Installation sicher, dass der Paketinhalt vollständig ist und die erforderlichen Kabel, Werkzeuge sowie die Dokumentation vorhanden sind. Siehe *Inhalt des Produktpakets* unten.
- Diese Netzwerk-Kamera wird über Power over Ethernet (PoE) mit Strom versorgt. Falls PoE nicht zur Verfügung steht, verwenden Sie den AXIS PoE Midspan 1-Anschluss (separat erhältlich).

## 1 Inhalt des Produktpakets

Artikel	Modelle/Varianten/Notizen
Netzwerk-Kamera	AXIS P3353, AXIS P3354, AXIS P3363-V AXIS P3364-V
Kuppelabdeckungen	Klare transparente Abdeckung Abdeckung aus Rauchglas
Etiketten	2 Klebe-Etiketten mit der Seriennummer
Montagesatz	Resitorx-Schraubendreher, Bohrschablone, Anschlussblockstecker
CD-ROM	CD für AXIS-Netzwerkvideoprodukte einschließlich Installationswerkzeugen und anderer Software
GEDruckte Dokumente	Installationsanleitung (dieses Dokument) Axis-Garantierklärung AVHS-Authentifizierungsschlüssel
Optionales Zubehör	Montagehalterung (spezifisch für Montageart) Unter <a href="http://www.axis.com">www.axis.com</a> finden Sie Informationen zum verfügbaren Zubehör

## 2 Hardwareübersicht

Kamera: P3363/P3364



**Hinweis:** AXIS P3353 und AXIS P3354 unterstützen weder E/A noch Audio.

**Abmessungen (H x B x T)**

AXIS P3353/AXIS P3354/AXIS P3363-V /AXIS P3364-V = 97 x 148 x 148 mm

**Gewicht**

AXIS P3353/AXIS P3354 = 430 g

AXIS P3363-V /AXIS P3364-V = 650 g

### 3 Montieren der Kamera

Bei der Montage dieses Axis-Produkts können Sie die Kabel entweder durch die Wand oder entlang der Wand führen. Sie können die Netzwerk-Kamera auch mit einer Kabelführung aus Metall zum Schutz der Kabel ausstatten, wenn die Kabel an der Wand entlang geführt werden. Siehe nachfolgende Abbildung.

#### Kamera direkt an der Wand anbringen

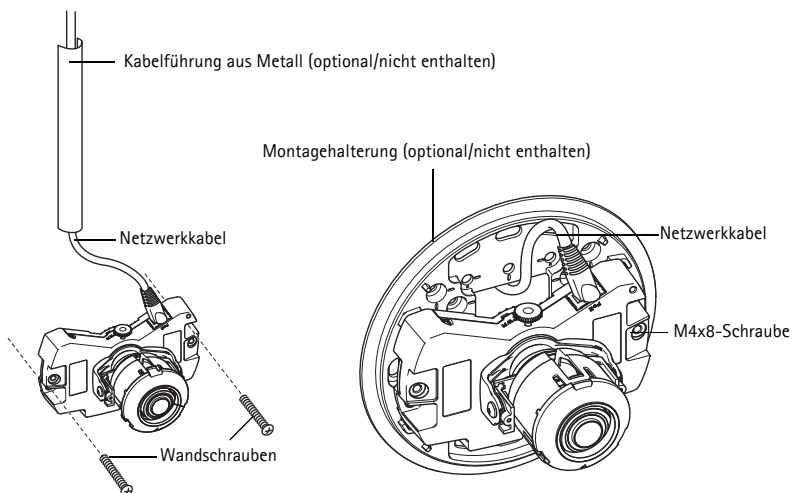
1. Bohren Sie mithilfe der Bohrschablone zwei Löcher in die Wand.
2. Verlegen Sie das Netzkabel und schließen Sie es an.
3. Befestigen Sie die Kameraeinheit mit den geeigneten Schrauben und Dübeln an der Wand.

#### Kamera mit einer Montagehalterung (separat erhältlich) anbringen

1. Bohren Sie mithilfe der Bohrschablone zwei Löcher in die Wand.
2. Führen Sie das Netzkabel durch die Wand und durch die Löcher in der Montagehalterung.
3. Befestigen Sie die Montagehalterung mit den geeigneten Schrauben und Dübeln an der Wand.
4. Schließen Sie das Netzkabel an.
5. Schließen Sie optional die E/A- und Audio-Kabel an. Details hierzu finden Sie auf Seite 49.
6. Schieben Sie optional die SD-Speicherkarte ein.
7. Befestigen Sie die Kameraeinheit mit zwei geeigneten Schrauben an der Montagehalterung.

#### Hinweis:

- Die Anweisungen oben gelten für die Wandmontage der Kamera. Sie können die Kamera auch mit der Montagehalterung an einen Anschlusskasten anbringen.
- AXIS P3353 und AXIS P3354 unterstützen weder E/A noch Audio.





## 4 Zuweisen einer IP-Adresse

Die Netzwerk-Kamera ist auf die Nutzung in einem Ethernet-Netzwerk ausgelegt und benötigt eine IP-Adresse für den Zugriff. In die meisten Netzwerke ist heutzutage ein DHCP-Server eingebunden, der angeschlossenen Geräten automatisch IP-Adressen zuweist. Wenn Ihr Netzwerk über keinen DHCP-Server verfügt, wird für die Netzwerk-Kamera die Standard-IP-Adresse 192.168.0.90 verwendet.

AXIS IP Utility und AXIS Camera Management sind die empfohlenen Methoden zur Festlegung einer IP-Adresse unter Windows. Beide Anwendungen stehen kostenlos auf der mitgelieferten CD für Axis-Netzwerkvideoprodukte zur Verfügung oder können unter [www.axis.com/techsup](http://www.axis.com/techsup) heruntergeladen werden.

Verwenden Sie die Methode, die für die gewünschte Anzahl der zu installierenden Kameras geeignet ist.

Methode	Empfohlen für	Betriebssystem
 AXIS IP Utility Siehe Seite41	Einzelne Kamera Kleine Installationen	Windows
 AXIS Camera Management Siehe Seite42	Mehrere Kameras Große Installationen Installation in einem anderen Subnetz	Windows 2000 Windows XP Pro Windows 2003 Server Windows 2008 Server Windows Vista Windows 7

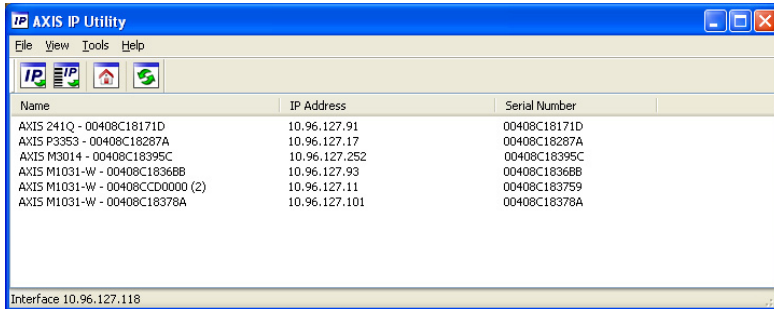
### Hinweise:

- Falls Sie die IP-Adresse nicht zuweisen können, müssen ggf. die Einstellungen der Firewall überprüft werden.
- Auf Seite47 finden Sie Informationen zu anderen möglichen Methoden zum Festlegen bzw. Ermitteln der IP-Adresse der Netzwerk-Kamera in Bezug auf andere Betriebssysteme.



## AXIS IP Utility – einzelne Kamera/kleine Installation

AXIS IP Utility erkennt automatisch im Netzwerk vorhandene Axis-Geräte und zeigt diese an. Mit dieser Anwendung können Sie auch eine statische IP-Adresse manuell festlegen. AXIS IP Utility finden Sie auf der CD für Axis-Netzwerkvideoprodukte sowie auf unserer Website unter „www.axis.com/techsup“




Beachten Sie, dass die Netzwerk-Kamera in dem Netzwerksegment (physisches Subnetz) installiert werden muss, in dem sich auch der Computer befindet, auf dem AXIS IP Utility ausgeführt wird.

### Automatische Erkennung

1. Stellen Sie sicher, dass die Netzwerk-Kamera an das Netzwerk und an die Stromversorgung angeschlossen ist.
2. Starten Sie AXIS IP Utility.
3. Doppelklicken Sie auf die Bezeichnung der Kamera, um die Startseite der Kamera zu öffnen.
4. Anweisungen zum Festlegen des Kennworts finden Sie auf Seite 43.

### Manuelle Zuweisung der IP-Adresse (optional)

1. Wählen Sie eine unbenutzte IP-Adresse aus dem Netzwerksegment aus, in dem sich auch Ihr Computer befindet.
2. Wählen Sie die Netzwerk-Kamera in der Liste aus.
3. Klicken Sie auf die Schaltfläche  Assign new IP address to selected device (Zuweisung einer neuen IP-Adresse an das ausgewählte Gerät), und geben Sie die Seriennummer und IP-Adresse der Netzwerk-Kamera ein. Die Seriennummer befindet sich auf dem Produktaufkleber.
4. Klicken Sie auf die Schaltfläche **Assign** (Zuweisen), und befolgen Sie die angezeigten Anweisungen. Beachten Sie, dass die Kamera innerhalb von zwei Minuten neu gestartet werden muss, um die neue IP-Adresse festzulegen.
5. Klicken Sie auf die Schaltfläche **Home Page** (Startseite), um auf die Webseiten der Kamera zuzugreifen.
6. Anweisungen zum Festlegen des Kennworts finden Sie auf Seite 43.

## AXIS Camera Management – mehrere Kameras/große Installationen


Mit AXIS Camera Management können automatisch mehrere Axis-Geräte erkannt, der Verbindungsstatus angezeigt, die Firmware-Aktualisierungen verwaltet und IP-Adressen festgelegt werden.

Name	Model	Address	Serial Number	Model	Password
AXIS 01790	04040C130C13	10.91.127.94	04040C130C13	AXIS 01790	04040C2421
AXIS 01790	04040C130C13	10.91.127.95	04040C130C13	AXIS 01790	04040C2421
AXIS 01790	04040C130C13	10.91.127.96	04040C130C13	AXIS 01790	04040C2421
AXIS 01790	04040C130C13	10.91.127.97	04040C130C13	AXIS 01790	04040C2421
AXIS 01790	04040C130C13	10.91.127.98	04040C130C13	AXIS 01790	04040C2421
AXIS 01790	04040C130C13	10.91.127.99	04040C130C13	AXIS 01790	04040C2421
AXIS 01790	04040C130C13	10.91.127.100	04040C130C13	AXIS 01790	04040C2421
AXIS 01790	04040C130C13	10.91.127.101	04040C130C13	AXIS 01790	04040C2421
AXIS 01790	04040C130C13	10.91.127.102	04040C130C13	AXIS 01790	04040C2421
AXIS 01790	04040C130C13	10.91.127.103	04040C130C13	AXIS 01790	04040C2421
AXIS 01790	04040C130C13	10.91.127.104	04040C130C13	AXIS 01790	04040C2421
AXIS 01790	04040C130C13	10.91.127.105	04040C130C13	AXIS 01790	04040C2421
AXIS 01790	04040C130C13	10.91.127.106	04040C130C13	AXIS 01790	04040C2421
AXIS 01790	04040C130C13	10.91.127.107	04040C130C13	AXIS 01790	04040C2421
AXIS 01790	04040C130C13	10.91.127.108	04040C130C13	AXIS 01790	04040C2421
AXIS 01790	04040C130C13	10.91.127.109	04040C130C13	AXIS 01790	04040C2421
AXIS 01790	04040C130C13	10.91.127.110	04040C130C13	AXIS 01790	04040C2421
AXIS 01790	04040C130C13	10.91.127.111	04040C130C13	AXIS 01790	04040C2421
AXIS 01790	04040C130C13	10.91.127.112	04040C130C13	AXIS 01790	04040C2421
AXIS 01790	04040C130C13	10.91.127.113	04040C130C13	AXIS 01790	04040C2421
AXIS 01790	04040C130C13	10.91.127.114	04040C130C13	AXIS 01790	04040C2421
AXIS 01790	04040C130C13	10.91.127.115	04040C130C13	AXIS 01790	04040C2421
AXIS 01790	04040C130C13	10.91.127.116	04040C130C13	AXIS 01790	04040C2421
AXIS 01790	04040C130C13	10.91.127.117	04040C130C13	AXIS 01790	04040C2421
AXIS 01790	04040C130C13	10.91.127.118	04040C130C13	AXIS 01790	04040C2421
AXIS 01790	04040C130C13	10.91.127.119	04040C130C13	AXIS 01790	04040C2421
AXIS 01790	04040C130C13	10.91.127.120	04040C130C13	AXIS 01790	04040C2421
AXIS 01790	04040C130C13	10.91.127.121	04040C130C13	AXIS 01790	04040C2421
AXIS 01790	04040C130C13	10.91.127.122	04040C130C13	AXIS 01790	04040C2421
AXIS 01790	04040C130C13	10.91.127.123	04040C130C13	AXIS 01790	04040C2421
AXIS 01790	04040C130C13	10.91.127.124	04040C130C13	AXIS 01790	04040C2421
AXIS 01790	04040C130C13	10.91.127.125	04040C130C13	AXIS 01790	04040C2421
AXIS 01790	04040C130C13	10.91.127.126	04040C130C13	AXIS 01790	04040C2421
AXIS 01790	04040C130C13	10.91.127.127	04040C130C13	AXIS 01790	04040C2421
AXIS 01790	04040C130C13	10.91.127.128	04040C130C13	AXIS 01790	04040C2421
AXIS 01790	04040C130C13	10.91.127.129	04040C130C13	AXIS 01790	04040C2421
AXIS 01790	04040C130C13	10.91.127.130	04040C130C13	AXIS 01790	04040C2421
AXIS 01790	04040C130C13	10.91.127.131	04040C130C13	AXIS 01790	04040C2421
AXIS 01790	04040C130C13	10.91.127.132	04040C130C13	AXIS 01790	04040C2421
AXIS 01790	04040C130C13	10.91.127.133	04040C130C13	AXIS 01790	04040C2421
AXIS 01790	04040C130C13	10.91.127.134	04040C130C13	AXIS 01790	04040C2421
AXIS 01790	04040C130C13	10.91.127.135	04040C130C13	AXIS 01790	04040C2421
AXIS 01790	04040C130C13	10.91.127.136	04040C130C13	AXIS 01790	04040C2421
AXIS 01790	04040C130C13	10.91.127.137	04040C130C13	AXIS 01790	04040C2421
AXIS 01790	04040C130C13	10.91.127.138	04040C130C13	AXIS 01790	04040C2421
AXIS 01790	04040C130C13	10.91.127.139	04040C130C13	AXIS 01790	04040C2421
AXIS 01790	04040C130C13	10.91.127.140	04040C130C13	AXIS 01790	04040C2421
AXIS 01790	04040C130C13	10.91.127.141	04040C130C13	AXIS 01790	04040C2421
AXIS 01790	04040C130C13	10.91.127.142	04040C130C13	AXIS 01790	04040C2421
AXIS 01790	04040C130C13	10.91.127.143	04040C130C13	AXIS 01790	04040C2421
AXIS 01790	04040C130C13	10.91.127.144	04040C130C13	AXIS 01790	04040C2421
AXIS 01790	04040C130C13	10.91.127.145	04040C130C13	AXIS 01790	04040C2421
AXIS 01790	04040C130C13	10.91.127.146	04040C130C13	AXIS 01790	04040C2421
AXIS 01790	04040C130C13	10.91.127.147	04040C130C13	AXIS 01790	04040C2421
AXIS 01790	04040C130C13	10.91.127.148	04040C130C13	AXIS 01790	04040C2421
AXIS 01790	04040C130C13	10.91.127.149	04040C130C13	AXIS 01790	04040C2421
AXIS 01790	04040C130C13	10.91.127.150	04040C130C13	AXIS 01790	04040C2421
AXIS 01790	04040C130C13	10.91.127.151	04040C130C13	AXIS 01790	04040C2421
AXIS 01790	04040C130C13	10.91.127.152	04040C130C13	AXIS 01790	04040C2421
AXIS 01790	04040C130C13	10.91.127.153	04040C130C13	AXIS 01790	04040C2421
AXIS 01790	04040C130C13	10.91.127.154	04040C130C13	AXIS 01790	04040C2421
AXIS 01790	04040C130C13	10.91.127.155	04040C130C13	AXIS 01790	04040C2421
AXIS 01790	04040C130C13	10.91.127.156	04040C130C13	AXIS 01790	04040C2421
AXIS 01790	04040C130C13	10.91.127.157	04040C130C13	AXIS 01790	04040C2421
AXIS 01790	04040C130C13	10.91.127.158	04040C130C13	AXIS 01790	04040C2421
AXIS 01790	04040C130C13	10.91.127.159	04040C130C13	AXIS 01790	04040C2421
AXIS 01790	04040C130C13	10.91.127.160	04040C130C13	AXIS 01790	04040C2421

### Automatische Erkennung

1. Stellen Sie sicher, dass die Kamera an das Netzwerk und die Stromversorgung angeschlossen ist.
2. Starten Sie AXIS Camera Management. Wenn das Symbol der Kamera angezeigt wird, klicken Sie mit der rechten Maustaste darauf und wählen Sie „Live View Home Page“ (Homepage der Live-Ansicht) aus.
3. Anweisungen zum Festlegen des Kennworts finden Sie auf Seite 43.

### Zuweisen einer IP-Adresse für ein einzelnes Gerät

1. Wählen Sie im AXIS Camera Management die Kamera aus, und klicken Sie auf die Schaltfläche Assign IP (IP-Adresse zuweisen) .
2. Wählen Sie die Option Assign the following IP address (Folgende IP-Adresse zuweisen) aus und geben Sie die IP-Adresse, die Subnetzmaske und den Standardrouter für das Gerät ein.
3. Klicken Sie auf OK.

**Edit IP Address**


Obtain an IP address automatically (DHCP)  
 Assign the following IP address:

IP address: 10 . 91 . 127 . 62  
 Subnet mask: 255 . 255 . 0 . 0  
 Default router: 10 . 91 . 0 . 1

Advanced OK Cancel

### Zuweisen von IP-Adressen für mehrere Geräte

AXIS Camera Management beschleunigt die Zuweisung von IP-Adressen für mehrere Geräte, indem IP-Adressen aus einem angegebenen Bereich vorgeschlagen werden.

1. Wählen Sie die zu konfigurierenden Geräte aus (es können auch unterschiedliche Modelle gewählt werden), und klicken Sie auf die Schaltfläche Assign IP (IP-Adresse zuweisen) .
2. Wählen Sie die Option Assign the following IP address range (Folgenden IP-Adressbereich zuweisen) aus und geben Sie den IP-Adressbereich, die Subnetzmaske und den Standardrouter für die Geräte ein.
3. Klicken Sie auf „OK“.

**Assign IP Address**

Use DHCP to obtain an IP address range and click Update to automatically fill in available addresses for the device.  
 Obtain IP addresses automatically (DHCP)  
 Assign the following IP address range

Use subnets to specify the range, either as 10.101.10.10-10.101.10.100.  
 IP range: 10.10.10.10-10.10.10.100  
 Subnet mask: 255 . 255 . 0 . 0  
 Default router: 10 . 10 . 0 . 1

Update

**New IP Addresses**

Name	Current Address	New Address
AXIS 201-04040C130C13	10.91.0.9	
AXIS 211M-04040C130C13	102.160.0.50	

OK Cancel Help

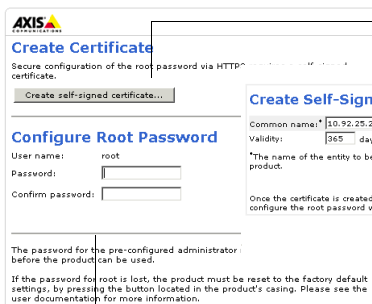
## 5 Festlegen des Kennworts

Um Zugriff auf das Produkt zu erhalten, muss das Kennwort für den standardmäßigen Administrator-Benutzer "root" festgelegt werden. Beim erstmaligen Zugriff auf die Netzwerk-Kamera wird das Dialogfeld **Configure Root Password** (Root-Kennwort konfigurieren) angezeigt. Dort kann das Kennwort festgelegt werden.

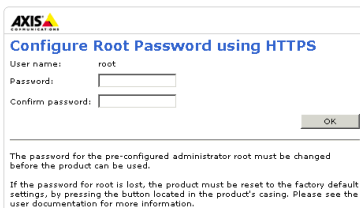
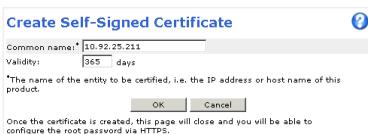
Um ein Abhören der Netzwerkkommunikation während der Festlegung des Root-Kennworts zu vermeiden, können Sie diesen Vorgang über eine verschlüsselte HTTPS-Verbindung durchführen, die ein HTTPS-Zertifikat erfordert.

Um das Kennwort über eine standardmäßige HTTP-Verbindung festzulegen, geben Sie es in das Fenster **Configure Root Password** (Root-Kennwort konfigurieren) ein. Um das Kennwort über eine verschlüsselte HTTPS-Verbindung festzulegen, führen Sie die folgenden Schritte aus:

1. Klicken Sie auf die Schaltfläche **Create self-signed certificate** (Selbstsigniertes Zertifikat erstellen).
2. Geben Sie die gewünschten Informationen ein, und klicken Sie auf „OK“. Das Zertifikat wird erstellt, und das Kennwort kann jetzt sicher festgelegt werden. Der gesamte Datenverkehr der Netzwerk-Kamera wird ab diesem Zeitpunkt verschlüsselt.
3. Geben Sie ein Kennwort ein, und wiederholen Sie die Eingabe, um die korrekte Schreibweise zu bestätigen. Klicken Sie auf **OK**. Damit ist das Kennwort konfiguriert.



Klicken Sie zum Herstellen einer HTTPS-Verbindung zunächst auf diese Schaltfläche.



Um das Kennwort direkt über eine unverschlüsselte Verbindung zu konfigurieren, geben Sie es hier ein.

4. Geben Sie den Benutzernamen „root“ wie erforderlich ein.

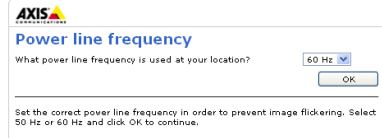
**Hinweis:** Der standardmäßige Administrator-Benutzername „root“ kann nicht gelöscht werden.

5. Geben Sie das zuvor festgelegte Kennwort ein, und klicken Sie auf **OK**. Wenn Sie das Kennwort vergessen haben, muss die Netzwerk-Kamera auf die Werkseinstellungen zurückgesetzt werden. Siehe Seite 51.

Klicken Sie auf "Yes" (Ja), um AMC (AXIS Media Control) zu installieren. Nach Abschluss der Installation können Sie Videostreams im Microsoft Internet Explorer anzeigen. Hierzu müssen Sie über Administratorrechte für den Computer verfügen.

**Hinweis:** Für die Installation von AMC unter Windows 7 bzw. Windows Vista müssen Sie Internet Explorer als Administrator ausführen. Klicken Sie mit der rechten Maustaste auf das Internet Explorer-Symbol, und wählen Sie **Als Administrator ausführen** aus.

6. Wählen Sie die Stromnetzfrequenz (50 Hz oder 60 Hz) an Ihrem Standort aus der Dropdown-Liste aus, wenn Sie das erste Mal auf die Netzwerk-Kamera zugreifen.



**Hinweis:** Die Stromnetzfrequenz kann von Plain Config (Direktkonfiguration) aus oder durch Zurücksetzen des Produkts in den Werkzustand erfolgen. Durch die Auswahl der falschen Frequenz entsteht Bildflackern, falls das Produkt in Umgebungen mit Neonlicht eingesetzt wird. Bei Verwendung von 50 Hz ist die maximale Bildrate auf 25 fps beschränkt.

## Zugriff auf den Videostrom

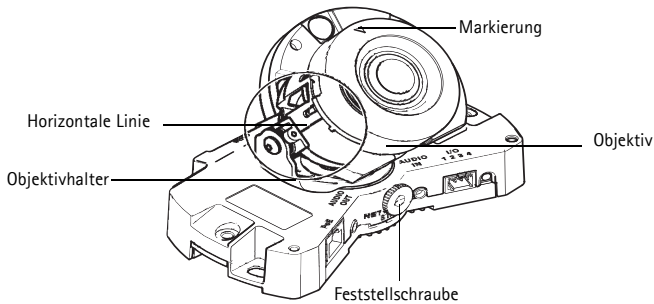
Die Seite „Live-View“ (Live-Ansicht) Netzwerk-Kamera enthält Links zu Setup-Tools, mit denen Sie die Kamera Ihren Bedürfnissen entsprechend anpassen können.

Klicken Sie auf "Yes" (Ja), um AMC (AXIS Media Control) zu installieren. Nach Abschluss der Installation können Sie Videostreams im Microsoft Internet Explorer anzeigen. Hierzu müssen Sie über Administratorrechte für den Computer verfügen.

**Hinweis:** Für die Installation von AMC unter Windows 7 bzw. Windows Vista müssen Sie Internet Explorer als Administrator ausführen. Klicken Sie mit der rechten Maustaste auf das Internet Explorer-Symbol, und wählen Sie **Als Administrator ausführen** aus.



## 6 Anpassen des Objektivs



Öffnen Sie die Seite **Live View** (Live-Ansicht) und nehmen Sie die folgenden Einstellungen an der Kamera vor:

1. Lösen Sie die Arretierschraube.
2. Drehen Sie den Objektivhalter in die gewünschte Position.
3. Drehen Sie das Objektiv, um sicherzustellen, dass die (horizontalen) Linien auf jeder Seite des Objektiv horizontal fluchten.

**Hinweis:** Stellen Sie sicher, dass die Markierung auf der Objektivabdeckung zwischen den horizontalen Linien nach oben zeigt.

4. Wenn die richtige Ausrichtung erreicht ist, schrauben Sie die Arretierschraube vorsichtig wieder fest, um die Kameraposition zu sichern.
5. Öffnen Sie über die Weboberfläche unter **Setup > Basic Setup > Focus & Zoom** (Einrichtung > Basiskonfiguration > Fokus und Zoom) die Seite **Focus Adjustment** (Bildschärfe einstellen) und befolgen Sie die Bildschirmanweisungen. Stellen Sie mit dem Bildfenster den Zoom und die Bildschärfe ein. Weitere Informationen hierzu finden Sie in der Online-Hilfe.

**Hinweis:**

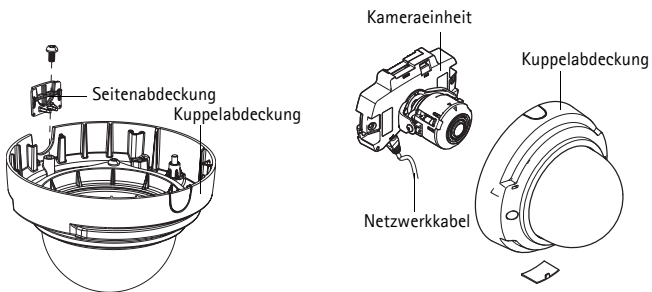
- Aufgrund der Lichtbrechungen auf der Glasoberfläche kann das Bild leicht unscharf erscheinen, nachdem die Kuppel installiert wurde. Sie können dies korrigieren, indem Sie in der Weboberfläche unter **Setup > Basic Setup > Focus & Zoom** (Einrichtung > Basiskonfiguration > Fokus und Zoom) die Seite **Focus Adjustment** (Bildschärfe einstellen) öffnen und die Bildschärfe erneut anpassen.

**Warnung!** Das manuelle Einstellen der Bildschärfe kann das Objektiv beschädigen.

## 7 Installation abschließen

1. Wenn die Kabel entlang der Wand verlegt sind, nehmen Sie das Seitenteil von der Kuppelabdeckung der Kamera ab.
2. Bringen Sie das schwarze Schutzschild in der Kuppelhaube durch Drehen in Übereinstimmung mit der Kameraposition.
3. Entfernen Sie Fingerabdrücke und Staub mit einem trockenen, weichen Tuch von der Glasoberfläche. Blasen Sie Staub ggf. mit Druckluft von der Linse.
4. Befestigen Sie die Kuppelhaube mit Hilfe der im Lieferumfang enthaltenen manipulationssicheren Schrauben und des Schraubendrehers. Wenn die Kamera angebracht ist, vergewissern Sie sich, dass die Schärfe richtig eingestellt ist.

Die Installation ist damit abgeschlossen.



## Andere Methoden zum Festlegen der IP-Adresse

Diese Tabelle bietet einen Überblick über weitere Methoden, die IP-Adresse festzulegen bzw. zu ermitteln. Alle Methoden sind standardmäßig aktiviert und können deaktiviert werden.

	Verwendung im Betriebssystem	Hinweise
UPnP™	Windows	Wenn die Funktion auf dem Computer aktiviert ist, wird die Kamera automatisch erkannt und zu „Netzwerkumgebung“ hinzugefügt.
Bonjour	MAC OSX (10.4 oder höher)	Kann nur bei Browsern verwendet werden, die Bonjour unterstützen. Navigieren Sie zum Bonjour-Lesezeichen Ihres Browsers (z. B. Safari), und klicken Sie auf den Link, um auf die Webseiten der Kamera zu gelangen.
AXIS Dynamic DNS Service	Alle	Ein kostenloser Service von Axis, mit dem Sie Ihre Kamera schnell und einfach installieren können. Eine Internetverbindung ohne HTTP-Proxyserver ist Voraussetzung. Weitere Informationen hierzu finden Sie auf „www.axiscam.net“.
ARP/Ping	Alle	Siehe unten. Der Befehl muss innerhalb von zwei Minuten erfolgen, nachdem die Kamera an das Stromnetz angeschlossen wurde.
Admin-Seiten des DHCP-Servers anzeigen	Alle	Hinweise zum Anzeigen der Administrationsseiten des DHCP-Servers im Netzwerk finden Sie in der Serverdokumentation.

### AXIS Video Hosting System (AVHS)

Die Kamera kann auch an einen AVHS-Service für gehostetes Video angeschlossen werden. Wenn Sie einen AVHS-Service abonniert haben, befolgen Sie die Anweisungen im Installationshandbuch des Diensteanbieters. Weitere Informationen zu lokalen AVHS-Diensteanbietern finden Sie unter „www.axis.com/hosting“.

Der Authentifizierungsschlüssel für den Kameraeigentümer ist im Lieferumfang dieses Produkts enthalten. Der Schlüssel ist der eindeutigen Seriennummer (S/N) der Kamera zugeordnet, die sich oben auf dem Etikett befindet.

**Hinweis:** Bewahren Sie den Schlüssel auf, um ihn später verfügbar zu haben.

## Zuweisen der IP-Adresse per ARP/Ping

1. Wählen Sie eine freie statische IP-Adresse aus dem Netzwerksegment aus, in dem sich auch Ihr Computer befindet.
2. Suchen Sie nach der Seriennummer (S/N) auf dem Aufkleber der Kamera.
3. Öffnen Sie auf Ihrem Computer die Eingabeaufforderung, und geben Sie die folgenden Befehle ein:

Syntax unter Windows	Beispiel für Windows
<pre>arp -s &lt;IP-Adresse&gt; &lt;Seriennummer&gt; ping -l 408 -t &lt;IP-Adresse&gt;</pre>	<pre>arp -s 192.168.0.125 00-40-8c-18-10-00 ping -l 408 -t 192.168.0.125</pre>
Syntax unter UNIX/Linux/Mac	Beispiel für UNIX/Linux/Mac
<pre>arp -s &lt;IP-Adresse&gt; &lt;Seriennummer&gt; temp ping -s 408 &lt;IP-Adresse&gt;</pre>	<pre>arp -s 192.168.0.125 00:40:8c:18:10:00 temp ping -s 408 192.168.0.125</pre>

4. Stellen Sie sicher, dass das Netzkabel mit der Netzwerk-Kamera verbunden ist und starten Sie die Netzwerk-Kamera bzw. starten Sie diese neu, indem Sie die Stromversorgung unterbrechen und wiederherstellen. Falls Sie PoE verwenden, starten Sie die Netzwerk-Kamera bzw. starten Sie sie erneut, indem Sie das Netzkabel herausziehen und wieder einstecken.
5. Schließen Sie die Befehlszeile, sobald „Reply from 192.168.0.125:...” (Antwort von 192.168.0.125:...) oder eine ähnliche Meldung angezeigt wird.
6. Starten Sie einen Browser, geben Sie im Adressfeld „http://<IP-Adresse>“ ein und drücken Sie die Eingabetaste auf der Tastatur.

### Hinweise:

- So öffnen Sie die Eingabeaufforderung unter Windows: Wählen Sie im Startmenü die Option „Ausführen...“ aus, und geben Sie „cmd“ ein. Klicken Sie auf „OK“.
- Verwenden Sie zum Eingeben des Befehls „ARP“ unter Mac OS X das Dienstprogramm „Terminal“, das Sie unter „Anwendung > Dienstprogramme“ finden.



## Geräteanschlüsse

**Hinweis:** AXIS P3353 und AXIS P3354 unterstützen weder E/A noch Audio.

**Netzwerkanschluss** – RJ-45-Ethernetanschluss. Unterstützt Power over Ethernet.

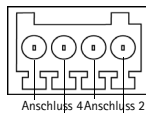
Aufgrund örtlicher Bestimmungen oder Umgebungs- und elektrischen Bedingungen, in denen das Produkt eingesetzt werden soll, ist eventuell ein abgeschirmtes Netzwerkkabel (STP) vorteilhaft oder erforderlich. Netzwerkkabel, welche in Außenumgebungen oder ähnlichem geführt werden, müssen abgeschirmt sein (STP) und für diesen Zweck vorgesehen sein. Stellen Sie sicher, dass der Netzwerk-Switch ordnungsgemäß geerdet ist. Behördliche Anforderungen finden Sie unter „Elektromagnetische Verträglichkeit (EMV)“.

**Audioeingang** – 3,5-mm-Anschluss für ein Monomikrofon oder ein Monosignal (linker Kanal wird von einem Stereosignal benutzt).

**Audioausgang** – Audioausgang (Leistungsstufe) zum Anschließen einer Rundrufanlage (PA) oder eines Aktivlautsprechers mit integriertem Verstärker. Auch ein Kopfhörer kann angeschlossen werden. Für den Audioausgang muss ein Stereostecker benutzt werden.

**SDHC-Speicherkarteneinschub** – Die SD-Speicherkarte kann zur lokalen Aufzeichnung mit Wechselmedien verwendet werden.

**E/A-Anschluss** – Wird z. B. für Bewegungserkennung, Ereignisauslösung, Zeitrafferaufnahmen, Alarmbenachrichtigungen usw. verwendet. Zusätzlich zu den Anschlüssen für die Zusatzstromversorgung und Masse fungiert er als Schnittstelle für:



- **1 Transistorausgang** – Zum Anschluss externer Geräte, wie Relais und LEDs. Angeschlossene Geräte können über die VAPIX API (Application Programming Interface), über die Ausgabeschaltflächen auf der Seite „Live View“ (Live-Ansicht) oder durch eine Ereignisregel aktiviert werden. Der Ausgang wird als aktiv (siehe System Options > Ports & Devices (Systemoptionen > Schnittstellen und Geräte)) angezeigt, wenn die Alarmvorrichtung eingeschaltet ist.

- 1 digitaler Eingang – Alarmeinang für den Anschluss von Geräten, die zwischen geöffnetem und geschlossenem Schaltkreis wechseln können, z. B. PIR-Kameras, Tür-Fensterkontakte und Glasbruchmelder. Bei Empfang eines Signals ändert sich der Status und der Eingang wird aktiviert (siehe >System Options > Ports Et Devices (Systemoptionen > Schnittstelle und Geräte)).

Funktion	Kontakt	Hinweise	Spezifikationen
Masse (GND)	1	Masse	
3,3 V Gleichstrom	2	Kann für die Stromversorgung von Zusatzgeräten verwendet werden. <b>Hinweis:</b> Dieser Kontakt kann <u>nur</u> für die Stromversorgung verwendet werden.	Max. Stromstärke = 50 mA
Digitaler Eingang	3	Zum Aktivieren mit dem Masseanschluss verbinden, zum Deaktivieren nicht anschließen.	Min. Eingang = 0 bis - 40 V Gleichstrom Max. Eingang = 0 bis + 40 V Gleichstrom
Digitaler Ausgang	4	Verwendet einen NFET-Transistor mit offener Senke, wobei die Quelle mit der Masse verbunden ist. Zum Schutz vor Spannungsspitzen muss bei der Kombination mit einem externen Relais eine Diode parallel zur Last geschaltet werden.	Max. Stromstärke = 100 mA Max. Spannung = + 40 V Gleichstrom

## LED-Anzeigen

LED	Farbe	Bedeutung
Netzwerk	Grün	Leuchtet dauerhaft bei Verbindung mit einem 100-MBit/s-Netzwerk. Blinkt bei Netzwerkaktivität.
	Gelb	Leuchtet dauerhaft bei Verbindung mit einem 10-MBit/s-Netzwerk. Blinkt bei Netzwerkaktivität.
	Leuchtet nicht	Keine Netzwerkverbindung vorhanden.
Status	Grün	Leuchtet bei Normalbetrieb konstant grün.
	Gelb	Leuchtet konstant beim Einschalten und beim Wiederherstellen der Werkseinstellungen bzw. von vorherigen Einstellungen.
	Rot	Blinkt langsam bei Aktualisierungsfehler.
Power	Grün	Normaler Betrieb.
	Gelb	Blinkt grün/gelb während Firmware-Aktualisierung.

## Wiederherstellen der werkseitigen Standardeinstellungen

Gehen Sie wie folgt vor, um sämtliche Parameter einschließlich der IP-Adresse auf die werkseitigen Standardeinstellungen zurückzusetzen:

1. Trennen Sie die Kamera von der Stromversorgung.
2. Halten Sie die Steuertaste gedrückt, und stellen Sie die Stromversorgung wieder her (siehe „Hardwareübersicht“ auf Seite ).
3. Halten Sie die Steuertaste etwa 15 Sekunden gedrückt, bis die Statusanzeige gelb blinkt.
4. Lassen Sie die Steuertaste los. Der Vorgang ist nach etwa 1 Minute abgeschlossen (die Statusanzeige wird grün). Die Netzwerk-Kamera wurde auf die werkseitigen Standardeinstellungen zurückgesetzt. Die Standard-IP-Adresse lautet 192.168.0.90.
5. Weisen Sie die IP-Adresse erneut zu.
6. Führen Sie die Fokussierung der Kamera erneut durch.

Die Parameter können auch über die Weboberfläche auf die werkseitigen Einstellungen zurückgesetzt werden. Wählen Sie „Setup > System Options > Maintenance“ (Setup > Systemoptionen > Wartung).

## Zugriff auf die Kamera über das Internet

Sobald die Netzwerk-Kamera installiert ist, können Sie in Ihrem lokalen Netzwerk (LAN) darauf zugreifen. Um auch über das Internet auf die Kamera zugreifen zu können, müssen Sie die Netzwerk-Router so konfigurieren, dass diese den eingehenden Datenverkehr zulassen, was üblicherweise durch Zuweisung eines bestimmten Ports geschieht.

- HTTP-Port (standardmäßig Port 80) für die Anzeige und Konfiguration
- RTSP-Port (standardmäßig Port 554) für die Anzeige von H.264-Videoströmen

Ausführliche Informationen dazu finden Sie in der Dokumentation des Routers. Weitere Informationen zu diesem und zu anderen Themen erhalten Sie auf der Axis Support-Website unter „[www.axis.com/techsup](http://www.axis.com/techsup)“.

## Weitere Informationen

Das Benutzerhandbuch steht auf der Website von Axis unter „[www.axis.com](http://www.axis.com)“ zur Verfügung.

Um mehr über Produkte und Technologien von Axis zu erfahren, besuchen Sie uns unter „[www.axis.com/academy](http://www.axis.com/academy)“, dem globalem Lernzentrum für Netzwerk-Video.

### Tipp!

Unter „[www.axis.com/techsup](http://www.axis.com/techsup)“ finden Sie Firmware-Aktualisierungen für Ihr Axis-Produkt. Informationen zur aktuellen Firmware-Version finden Sie in Ihrer Weboberfläche unter „Setup“ > „About“ (Info).

# Precauzioni

Leggere per intero e con attenzione questa Guida all'installazione prima di installare il prodotto. Conservare la Guida all'installazione per ulteriori riferimenti.

## ATTENZIONE!

- Quando si trasporta un prodotto Axis, utilizzare l'imballo originale o un imballo equivalente per evitare danni al prodotto.
- Conservare il prodotto Axis in un ambiente asciutto e ventilato.
- Evitare di esporre il prodotto Axis a vibrazioni, urti o pressioni eccessive e non installare la telecamera su staffe instabili, superfici o pareti instabili o vibranti, poiché in tal modo si potrebbe danneggiare il prodotto.
- Per l'installazione del prodotto Axis, utilizzare solo attrezzi manuali, l'utilizzo di utensili elettrici o l'applicazione di una forza eccessiva potrebbero danneggiare il prodotto.
- Non utilizzare sostanze chimiche, agenti caustici o detergenti aerosol. Utilizzare un panno umido per la pulizia.
- Usare solo accessori compatibili con le specifiche tecniche del prodotto. Questi possono essere forniti da Axis o da terze parti.
- Utilizzare solo parti di ricambio fornite o consigliate da Axis.
- Non tentare di riparare da soli il prodotto, ma contattare Axis o il rivenditore Axis per qualsiasi argomento relativo all'assistenza tecnica.

## IMPORTANTE!

- Questo prodotto Axis deve essere utilizzato in conformità alle leggi e alle regolamentazioni locali.
- Per utilizzare questo prodotto Axis all'esterno, è necessario installarlo in un alloggiamento per esterni approvato.

## Sostituzione della batteria

Questo prodotto Axis utilizza una batteria al litio CR2032 da 3,0V come sorgente di alimentazione per l'orologio in tempo reale (RTC) interno. In condizioni normali, la batteria dura almeno 5 anni. Una scarsa potenza della batteria influisce sul funzionamento dell'RTC, causandone la reimpostazione a ogni accensione. Quando la batteria necessita di sostituzione, appare un messaggio di log. La batteria non deve essere sostituita se non è necessario!

Se è necessario sostituire la batteria, visitare la pagina web [www.axis.com/techsup](http://www.axis.com/techsup) per assistenza.

- La sostituzione non corretta della batteria comporta il pericolo di esplosioni.
- Sostituire solo con una batteria uguale o equivalente, come consigliato dal produttore.
- Smaltire le batterie usate secondo le istruzioni del produttore.

## Pulizia del coperchio della cupola

- Fare attenzione a non graffiare o danneggiare la copertura a cupola. Non pulire il coperchio di una cupola che visivamente sembra pulito e non lucidarne mai la superficie. La pulizia eccessiva può danneggiare la superficie.
- Per la pulizia generica del coperchio di una cupola si consiglia di utilizzare un sapone o un detersivo neutro, non abrasivo e privo di solventi, con acqua e un panno morbido. Risciacquare bene con acqua pulita tiepida. Asciugare con un panno morbido per evitare macchie causate dall'acqua.
- Non usare mai detersivi aggressivi, benzina, benzene, acetone, ecc. ed evitare le operazioni di pulizia sotto la luce solare diretta o con temperature elevate.

# Guida all'installazione di AXIS P3353/P3354/P3363-V/P3364-V Network Camera

Questo documento fornisce le istruzioni necessarie per installare una AXIS P33 Network Camera nella rete in uso. Per tutte le altre informazioni relative all'uso del prodotto, consultare la Guida per l'utente, disponibile sul sito [www.axis.com](http://www.axis.com)

1. "Contenuto della confezione" alla pagina 53
2. "Panoramica dell'hardware" alla pagina 54
3. "Montaggio della telecamera" alla pagina 55
4. "Assegnazione di un indirizzo IP" alla pagina 56
5. "Impostazione della password" alla pagina 59
6. "Regolazione dell'obiettivo" alla pagina 61
7. "Completamento dell'installazione" alla pagina 62

## Note:

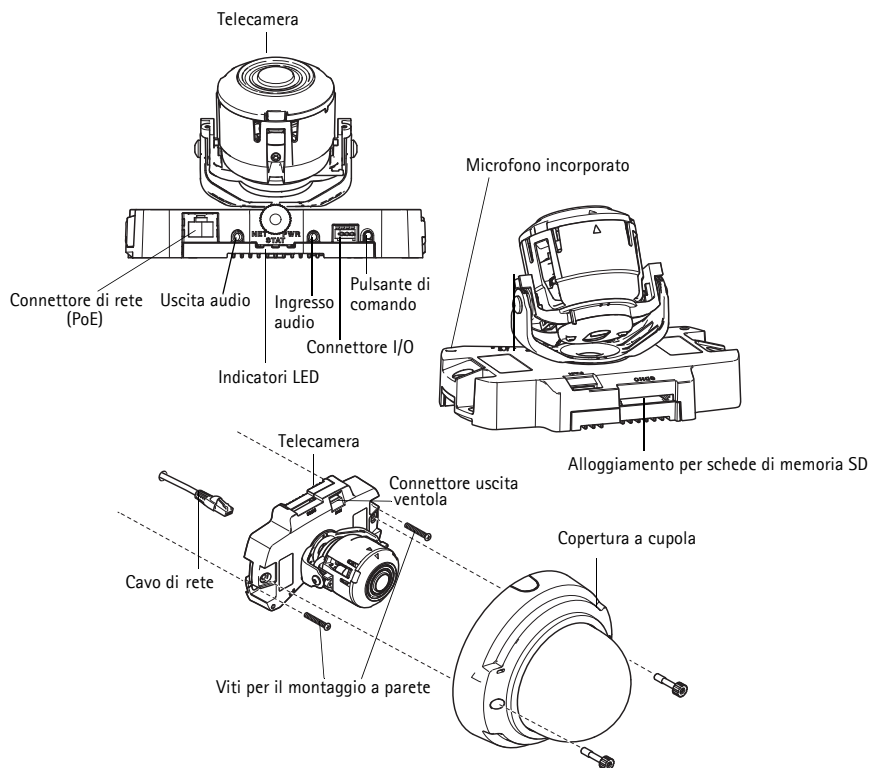
- Prima di iniziare, verificare che la confezione contenga i cavi, gli attrezzi e la documentazione necessari. Vedere *Contenuto della confezione* di seguito.
- Questa telecamera di rete è progettata per essere utilizzata con la tecnologia PoE. Se non disponibile, utilizzare un midspan PoE AXIS a 1 porta (non fornito di serie).

## 1 Contenuto della confezione

Elemento	Modelli/varianti/note
Telecamera di rete	AXIS P3353, AXIS P3354, AXIS P3363-V AXIS P3364-V
Coperture a cupola	Copertura trasparente chiara Copertura trasparente sfumata
Etichette	2 etichette adesive con numero di serie
Kit di montaggio	Cacciavite Resitorx, maschera di foratura, morsettiera
CD	CD del prodotto, che comprende le utility di installazione e altro software
Materiali stampati	Guida all'installazione (questo documento) Documento di garanzia Axis Chiave di autenticazione AVHS
Accessori opzionali	Staffa di montaggio (specifica per Paese) Visitare il sito web <a href="http://www.axis.com">www.axis.com</a> per informazioni sugli accessori disponibili

## 2 Panoramica dell'hardware

Telecamera: P3363/P3364



**Nota:** AXIS P3353 e AXIS P3354 non supportano l'I/O o l'audio.

**Dimensioni (HxLxP)**

AXIS P3353/AXIS P3354/AXIS P3363-V /AXIS P3364-V = 97 x 148 x 148 mm

**Peso**

AXIS P3353/AXIS P3354 = 430 g

AXIS P3363-V /AXIS P3364-V = 650 g

### 3 Montaggio della telecamera

Questo prodotto Axis può essere montato posizionando i cavi all'interno della parete o esternamente. In caso di posa esterna dei cavi, è possibile utilizzare una calina metallica di protezione. Vedere l'immagine seguente.

#### Montaggio della telecamera direttamente sulla parete

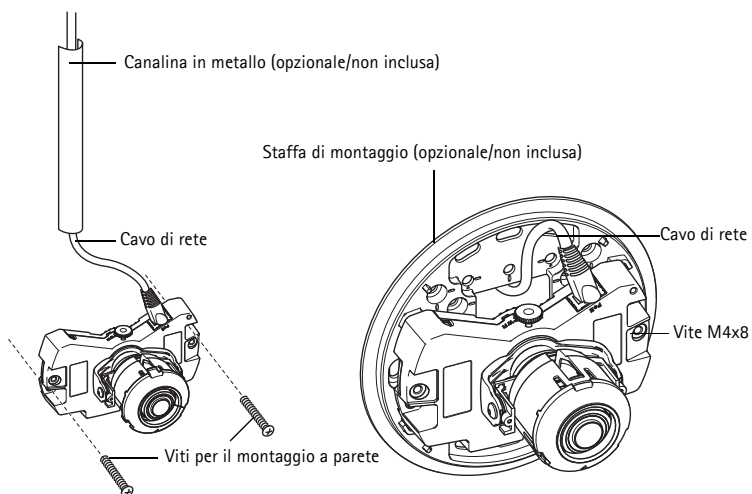
1. Usare l'apposita maschera per praticare 2 fori nella parete.
2. Guidare e collegare il cavo di rete.
3. Fissare la telecamera alla parete utilizzando viti e prese idonee al materiale della parete.

#### Montaggio della telecamera con una staffa di montaggio (non inclusa)

1. Usare l'apposita maschera per praticare 2 fori nella parete.
2. Installare il cavo di rete all'interno della parete e nei fori sulla staffa di montaggio.
3. Fissare la staffa di montaggio alla parete utilizzando viti e prese idonee al materiale della parete.
4. Collegare il cavo di rete.
5. È possibile collegare i cavi I/O e audio. Per maggiori informazioni vedere pagina 65.
6. È possibile inserire la scheda di memoria SD.
7. Fissare la telecamera alla staffa di montaggio utilizzando due viti idonee.

#### Nota:

- Queste istruzioni spiegano come montare la telecamera a una parete. La staffa di montaggio può essere usata anche per montare la telecamera su una scatola di collegamento.
- AXIS P3353 e AXIS P3354 non supportano l'I/O e l'audio.





## 4 Assegnazione di un indirizzo IP

La telecamera di rete è stata progettata per essere usata su reti Ethernet e richiede l'assegnazione di un indirizzo IP per l'accesso. La maggior parte delle reti dispone di un server DHCP che assegna automaticamente gli indirizzi IP ai dispositivi connessi. Se la rete non dispone di un server DHCP, per la telecamera di rete viene utilizzato l'indirizzo IP predefinito 192.168.0.90.

I metodi consigliati per assegnare un indirizzo IP in Windows sono AXIS IP Utility e AXIS Camera Management. Queste applicazioni sono disponibili gratuitamente sul CD del prodotto oppure possono essere scaricate sul sito Web all'indirizzo [www.axis.com/techsup](http://www.axis.com/techsup)

In base al numero di telecamere da installare, utilizzare il metodo che meglio si adatta alle proprie esigenze.

Metodo	Consigliato per	Sistema operativo
 AXIS IP Utility Vedere pagina 57	Telecamera singola Piccole installazioni	Windows
 AXIS Camera Management Vedere pagina 58	Più telecamere Grandi installazioni Installazione in una diversa subnet	Windows 2000 Windows XP Pro Windows 2003 Server Windows 2008 Server Windows Vista Windows 7

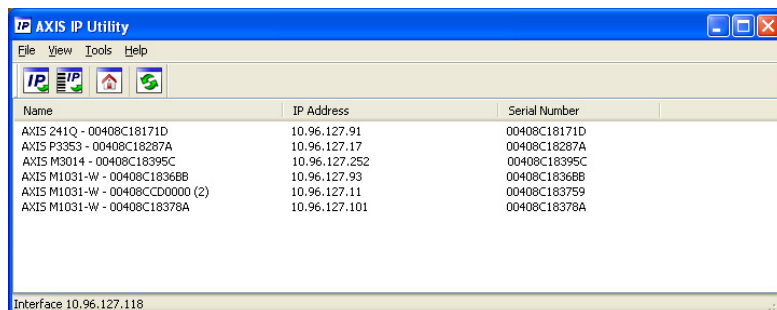
### Note:

- Se non si riesce ad assegnare l'indirizzo IP, verificare che il problema non dipenda dal firewall.
- Vedere pagina 63 per una descrizione degli altri metodi utilizzati per assegnare e rilevare l'indirizzo IP di una telecamera di rete, a seconda dei sistemi operativi usati.



## AXIS IP Utility: telecamera singola/piccole installazioni

AXIS IP Utility rileva e visualizza automaticamente i dispositivi Axis collegati alla rete. È possibile anche usare questa applicazione per assegnare manualmente un indirizzo IP statico. AXIS IP Utility è disponibile sul CD Axis Network Video Product oppure può essere scaricato dalla pagina Web [www.axis.com/techsup](http://www.axis.com/techsup)




Si tenga presente che la telecamera di rete deve essere installata sullo stesso segmento di rete (subnet fisica) del computer su cui è in esecuzione AXIS IP Utility.

### Rilevamento automatico

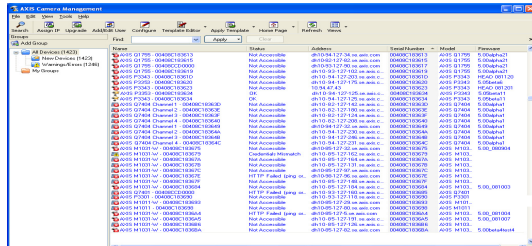
1. Verificare che la telecamera di rete sia collegata alla rete e alimentata correttamente.
2. Avviare AXIS IP Utility.
3. Quando nella finestra compare il nome della telecamera, fare doppio clic per aprire la home page della telecamera.
4. Vedere pagina 59 per le istruzioni da seguire per impostare la password.

### Assegnare manualmente dell'indirizzo IP (facoltativo)

1. Acquisire un indirizzo IP libero sullo stesso segmento di rete a cui è connesso il computer in uso.
2. Selezionare la telecamera di rete dall'elenco.
3. Fare clic sul pulsante  **Assign new IP address to the selected device** (Assegna un nuovo indirizzo IP al dispositivo selezionato) e immettere il numero di serie e l'indirizzo IP della telecamera di rete. Il numero di serie è riportato sull'etichetta del prodotto.
4. Fare clic sul pulsante **Assign** (Assegna) e seguire le istruzioni visualizzate. Affinché il nuovo indirizzo IP venga assegnato, la telecamera deve essere riavviata entro due minuti.
5. Fare clic sul pulsante **Home Page** (Pagina iniziale) per accedere alle pagine Web della telecamera.
6. Vedere pagina 59 per le istruzioni da seguire per impostare la password.

## AXIS Camera Management: più telecamere/grandi installazioni


È possibile utilizzare AXIS Camera Management per individuare automaticamente la presenza di più dispositivi Axis, mostrare lo stato di connessione, gestire gli aggiornamenti del firmware e assegnare gli indirizzi IP.

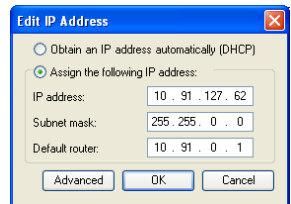


### Rilevamento automatico

1. Verificare che la telecamera sia collegata alla rete e alimentata correttamente.
2. Avviare AXIS Camera Management. Appena viene visualizzata la telecamera, fare clic con il pulsante destro sul collegamento e selezionare Live View Home Page (Pagina iniziale Vista dal Vivo).
3. Vedere pagina 59 per le istruzioni da seguire per impostare la password.


### Assegnazione di un indirizzo IP a un singolo dispositivo

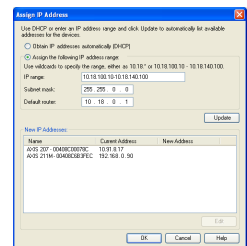
1. Selezionare la telecamera in AXIS Camera Management e fare clic sul pulsante Assign IP (Assegna IP) .
2. Selezionare Assign the following IP address (Assegna il seguente indirizzo IP) e immettere l'indirizzo IP, la subnet mask e il router predefinito utilizzato dal dispositivo.
3. Fare clic su OK.



### Assegnazione degli indirizzi IP a più dispositivi

AXIS Camera Management facilita il processo di assegnazione degli indirizzi IP a più dispositivi, suggerendo gli indirizzi IP in base a un intervallo specifico.

1. Selezionare i dispositivi che si desidera configurare (è possibile selezionare più modelli) e fare clic sul pulsante Assign IP (Assegna IP) .
2. Selezionare Assign the following IP address range (Assegna il seguente intervallo di indirizzi IP) e immettere l'intervallo di indirizzi IP, la subnet mask e il router predefinito utilizzati dai dispositivi.
3. Fare clic sul pulsante OK.



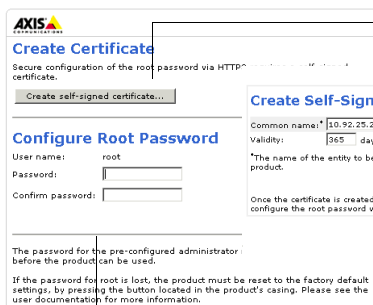
## 5 Impostazione della password

Per poter accedere al prodotto è necessario impostare la password dell'utente amministratore predefinito root. Questa operazione può essere effettuata nella finestra di dialogo **Configure Root Password** (Configura password root) visualizzata quando si accede alla telecamera per la prima volta.

Per evitare l'interruzione del collegamento di rete durante l'impostazione della password root, è possibile eseguire questa operazione tramite la connessione crittografata HTTPS, che richiede un certificato HTTPS.

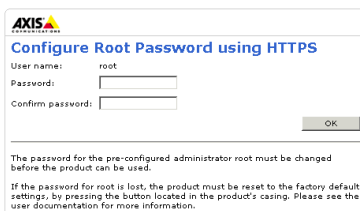
Per impostare la password tramite una connessione HTTP standard, immetterla direttamente nella finestra **Configure Root Password** (Configura password root). Per impostare la password tramite una connessione HTTPS crittografata, attenersi alla seguente procedura.

1. Fare clic sul pulsante **Create self-signed certificate** (Crea certificato autofirmato).
2. Fornire le informazioni richieste e fare clic su **OK**. Il certificato viene creato e la password può essere così impostata in modo sicuro. Da questo momento in poi tutto il traffico verso e dalla telecamera di rete viene cifrato.
3. Immettere una password e reimmetterla per confermarla. Fare clic su **OK**. La password è stata così configurata.



Per creare una connessione HTTPS, iniziare facendo clic su questo pulsante.

Per configurare la password direttamente tramite una connessione non crittografata, immettere qui la password.



4. Per eseguire l'accesso, inserire il nome utente "root" nella finestra di dialogo appena il programma lo richiede.

**Nota:** Non è possibile eliminare il nome utente predefinito dell'amministratore.

5. Immettere la password impostata in precedenza e fare clic su **OK**. Se si dimentica la password, sarà necessario ripristinare le impostazioni predefinite della telecamera di rete. Vedere pagina 67.

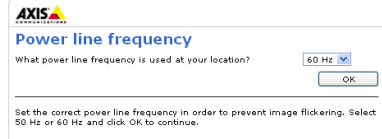
Se necessario, fare clic su Yes (Sì) per installare AMC (Axis Media Control) che consente di visualizzare il flusso video in Internet Explorer. A questo scopo è necessario disporre dei privilegi di amministratore.

**Nota:** Per installare AMC in Windows 7/Windows Vista, è necessario eseguire Internet Explorer come amministratore. Fare clic con il pulsante destro del mouse sull'icona di Internet Explorer e selezionare **Run as administrator** (Esegui come amministratore).

6. Selezionare la frequenza di alimentazione (50 Hz o 60 Hz) in uso dall'elenco a discesa quando si effettua il primo accesso alla telecamera di rete.

**Nota:** La frequenza di alimentazione può essere modificata da Plain Config (Configurazione normale) oppure ripristinando le impostazioni di fabbrica del prodotto.

La selezione della frequenza errata causerà uno sfarfallio dell'immagine se il prodotto viene usato in ambienti con luci a fluorescenza. Quando si utilizzano 50 Hz, la velocità dei fotogrammi massima è limitata a 25 fps.



## Accesso al flusso video

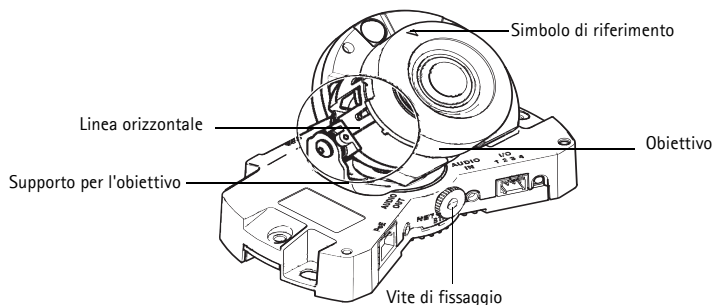
Viene visualizzata la pagina **Live View** (Vista dal vivo) della telecamera di rete con i collegamenti agli strumenti di configurazione che consentono di personalizzare la telecamera.

Se necessario, fare clic su Yes (Sì) per installare AMC (Axis Media Control) che consente di visualizzare il flusso video in Internet Explorer. A questo scopo è necessario disporre dei privilegi di amministratore.

**Nota:** Per installare AMC in Windows 7/Windows Vista, è necessario eseguire Internet Explorer come amministratore. Fare clic con il pulsante destro del mouse sull'icona di Internet Explorer e selezionare **Run as administrator** (Esegui come amministratore).



## 6 Regolazione dell'obiettivo



Aprire la pagina **Live View** (Vista dal vivo) dell'interfaccia Web ed effettuare le seguenti regolazioni sulla telecamera:

1. Allentare la vite di arresto.
2. Posizionare l'obiettivo nella posizione desiderata.
3. Ruotare l'obiettivo per garantire che le linee (orizzontali) sui due lati siano allineate orizzontalmente.

**Nota:** Assicurarsi che il simbolo di riferimento sul coperchio dell'obiettivo tra le linee orizzontali sia rivolto verso l'alto.

4. Stringere delicatamente la vite di fissaggio per bloccare la telecamera nella posizione desiderata.
5. Aprire la pagina **Focus Adjustment** (Regolazione messa a fuoco) nell'interfaccia Web in **Setup > Basic Setup > Focus Et Zoom** (Impostazione > Configurazione di base > Messa a fuoco e zoom) e seguire le istruzioni visualizzate. Utilizzare la finestra di regolazione delle immagini per impostare la messa a fuoco e lo zoom. Per ulteriori informazioni, consultare la Guida in linea.

**Nota:**

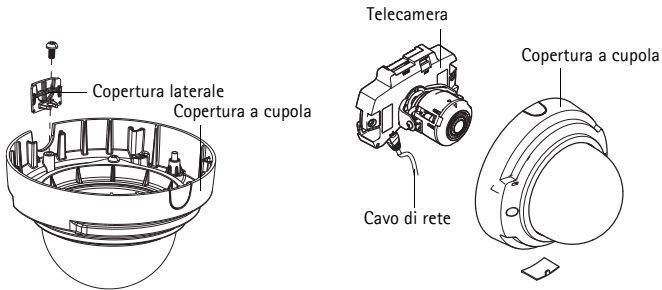
- A causa della rifrazione della cupola, dopo aver posizionato la cupola è possibile che l'immagine appaia leggermente sfocata. Per correggere questo problema, aprire la pagina **Focus Adjustment** (Regolazione messa a fuoco) nell'interfaccia Web in **Setup > Basic Setup > Focus Et Zoom** (Impostazione > Configurazione di base > Messa a fuoco e zoom) e regolare nuovamente la messa a fuoco.

**Avvertenza!** La regolazione manuale della messa a fuoco e dello zoom può danneggiare l'obiettivo.

## 7 Completamento dell'installazione

1. Se i cavi sono stati posizionati lungo la parete, rimuovere il coperchio laterale dalla copertura a cupola della telecamera.
2. Ruotare lo schermo di protezione di colore nero all'interno della cupola per posizionare correttamente la telecamera.
3. Pulire la cupola con un panno morbido e asciutto per rimuovere polvere e impronte digitali; utilizzare un soffiatico per rimuovere la polvere dall'obiettivo.
4. Montare la cupola utilizzando le viti antimanomissione e il cacciavite inclusi nella confezione. Dopo aver posizionato la cupola, verificare che la telecamera sia correttamente a fuoco.

A questo punto l'installazione è completata.



## Altri metodi di assegnazione dell'indirizzo IP

La seguente tabella descrive gli altri metodi disponibili per assegnare o individuare l'indirizzo IP. Per impostazione predefinita, tutti i metodi sono disponibili e possono essere disabilitati.

	Utilizzo nel sistema operativo	Note
UPnP™	Windows	Se abilitata sul computer, la telecamera viene rilevata automaticamente e aggiunta a "Risorse di rete".
Bonjour	MAC OSX (versione 10.4 o successive)	Si applica ai browser con supporto Bonjour. Selezionare il segnalibro Bonjour nel browser (ad esempio Safari) e fare clic sul collegamento per accedere alle pagine Web della telecamera.
AXIS Dynamic DNS Service	Tutti	Servizio gratuito fornito da Axis che consente di installare la telecamera in modo facile e veloce. È necessaria una connessione a Internet senza proxy http. Per ulteriori informazioni, visitare il sito Web all'indirizzo <a href="http://www.axiscam.net">www.axiscam.net</a>
ARP/Ping	Tutti	Vedere le sezioni che seguono. È necessario eseguire il comando entro 2 minuti dal collegamento dell'alimentazione alla telecamera.
Visualizzazione delle pagine di amministrazione del server DHCP	Tutti	Per visualizzare le pagine di amministrazione del server DHCP di rete, vedere la documentazione specifica del server.

### AXIS Video Hosting System (AVHS)

La telecamera può essere anche collegata a un server AVHS per l'hosting video. Se ci si è abbonati a un servizio AVHS, seguire le istruzioni della guida all'installazione fornita dal provider. Per ulteriori informazioni su come trovare un provider di servizi AVHS locale, accedere a [www.axis.com/hosting](http://www.axis.com/hosting). Insieme al prodotto viene fornita una chiave di autenticazione del proprietario della telecamera. La chiave è associata al numero di serie univoco della telecamera mostrato nella parte superiore dell'etichetta.

**Nota:** Conservare la chiave come riferimento futuro.

## Assegnazione dell'indirizzo IP con ARP/Ping

1. Scegliere un indirizzo IP statico gratuito sullo stesso segmento di rete cui è connesso il computer in uso.
2. Individuare il numero di serie (S/N) indicato sull'etichetta della telecamera.
3. Aprire una finestra MS-DOS sul computer e digitare i seguenti comandi:

Sintassi per Windows	Esempio Windows
<pre>arp -s &lt;Indirizzo IP&gt; &lt;Numero di serie&gt; ping -l 408 -t &lt;Indirizzo IP&gt;</pre>	<pre>arp -s 192.168.0.125 00-40-8c-18-10-00 ping -l 408 -t 192.168.0.125</pre>
Sintassi per UNIX/Linux/Mac	Esempio UNIX/Linux/Mac
<pre>arp -s &lt;Indirizzo IP&gt; &lt;Numero di serie&gt; temp ping -s 408 &lt;Indirizzo IP&gt;</pre>	<pre>arp -s 192.168.0.125 00:40:8c:18:10:00 temp ping -s 408 192.168.0.125</pre>

4. Verificare che il cavo di rete sia collegato alla telecamera di rete, quindi avviare/riavviare la telecamera, scollegando e ricollegando l'alimentazione. Se si utilizza PoE, avviare/riavviare la telecamera scollegando e ricollegando il cavo di rete.
5. Chiudere la finestra MS-DOS appena viene visualizzato il messaggio "Reply from 192.168.0.125:..." (Risposta da 192.168.0.125) o altro messaggio equivalente.
6. Nel browser immettere `http://<indirizzo IP>` nel campo dell'indirizzo e premere Invio sulla tastiera.

### Note:

- Per aprire una finestra MS-DOS in Windows: dal menu Start, scegliere Run (Esegui)... e digitare cmd. Fare clic su OK.
- Per utilizzare il comando ARP in Mac OS X, usare l'utility Terminal, in Applicazioni > Utilità.



## Connettori

**Nota:** AXIS P3353 e AXIS P3354 non supportano l'I/O o l'audio.

**Connettore di rete.** Connettore RJ-45 Ethernet. Supporta Power over Ethernet.

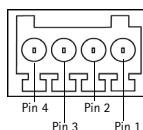
A causa delle disposizioni locali e delle condizioni ambientali ed elettriche in cui il prodotto deve essere usato, può essere appropriato o necessario un cavo di rete schermato (STP). I cavi di rete usati in ambienti esterni o simili devono essere schermati (STP) e destinati al loro uso specifico. Assicurarsi che lo switch di rete sia adeguatamente connesso a terra. Per i requisiti di legge vedere le norme di Compatibilità elettromagnetica (EMC).

**Ingresso audio.** Ingresso audio da 3,5 mm per microfono in mono o segnale mono line-in (il canale sinistro è usato da un segnale stereo).

**Uscita audio.** Uscita audio che può essere connessa a un sistema di indirizzo pubblico (PA) oppure a un altoparlante con amplificatore integrato. È possibile collegare un paio di cuffie. Per l'uscita audio è necessario usare un connettore stereo.

**Slot per scheda di memoria SDHC.** Le schede di memoria SD possono essere usate per la registrazione locale con unità di memorizzazione rimovibili.

**Morsettiera I/O** Utilizzata per varie applicazioni; ad esempio la rilevazione del movimento, l'attivazione di eventi, la registrazione continua, la notifica di allarmi e così via. Oltre a fungere da connettore di alimentazione ausiliario e pin di messa a terra, può essere usata come interfaccia per:



- 1 uscita transistor: per collegare dispositivi esterni come relé o LED. I dispositivi connessi possono essere attivati mediante API VAPIX® o i pulsanti di controllo nella pagina Live View (Immagini da vivo) oppure tramite Action Rule (Regola di azione). L'uscita verrà visualizzata come attiva (visualizzata in System Options > Ports Et Devices) (Opzioni di sistema > Porte e dispositivi) se l'allarme è attivato.

- 1 Ingresso digitale: ingresso dell'allarme per collegare i dispositivi che può passare dal circuito chiuso al circuito aperto, ad esempio: PIR, contatti per porte/finestre e rilevatori di effrazione dei vetri. La ricezione di un segnale provoca il cambiamento dello stato e l'attivazione dell'ingresso (condizioni visualizzate in System Options > Ports & Devices) (Opzioni di sistema > Porte e dispositivi).

Funzione	Pin	Note	Specifiche
GND	1	Terra	
Alimentazione a 3.3 V CC	2	Utilizzabile per alimentare ulteriori apparecchiature. <b>Nota:</b> questo pin può essere usato <u>solo</u> come uscita di alimentazione.	Carico massimo = 50mA
Ingresso digitale	3	Collegare a terra (GND) per attivarlo oppure lasciarlo isolato (o scollegato) per disattivarlo.	Ingresso min = da 0 a - 40 V CC Ingresso max = da 0 a + 40 V CC
Uscita digitale	4	Utilizza un transistor NFET open-drain con connessione della fonte a terra. Se si utilizza un relè esterno, è necessario collegare un diodo in parallelo al carico per proteggere il dispositivo da sovratensioni transitorie.	Carico massimo = 100mA Tensione massima = + 40 V CC

## Indicatori LED

Alimentazione	Colore	Indicazione
Connettore	Verde	Luce fissa: connessione di rete a 100 Mbit/s. Luce lampeggiante: attività di rete.
	Giallo	Luce fissa: connessione di rete a 10 Mbit/s. Luce lampeggiante: attività di rete.
	Spento	Assenza di connessione.
Stato	Verde	Luce verde fissa: condizioni di normale utilizzo.
	Giallo	Luce fissa: durante l'avvio o il ripristino delle impostazioni predefinite o della configurazione.
	Rosso	Luce lampeggiante lenta: aggiornamento non riuscito.
Alimentazione	Verde	Normale utilizzo.
	Giallo	Luce lampeggiante verde/gialla: aggiornamento firmware.

## Ripristino delle impostazioni predefinite

Questa procedura consentirà di ripristinare le impostazioni predefinite per tutti i parametri, incluso l'indirizzo IP.

1. Scollegare l'alimentazione dalla telecamera.
2. Tenere premuto il pulsante Control e ricollegare il cavo di alimentazione (vedere Panoramica dell'hardware a pagina ).
3. Tenere premuto il pulsante di comando per circa 15 secondi, fino a quando l'indicatore di stato non lampeggia in giallo.
4. Rilasciare il pulsante di comando. Il processo è completo dopo circa 1 minuto (quando l'indicatore di stato diventa verde). La telecamera di rete è stata reimpostata alle impostazioni predefinite in fabbrica. L'indirizzo IP predefinito è 192.168.0.90
5. Riassegnare l'indirizzo IP.
6. Rimettere a fuoco la telecamera.

È inoltre possibile reimpostare i parametri alle impostazioni predefinite di fabbrica mediante l'interfaccia Web. Selezionare Setup > System Options > Maintenance (Impostazioni > Opzioni di sistema > Manutenzione)

## Accesso alla telecamera da Internet

Dopo l'installazione, la telecamera di rete è accessibile dalla rete locale (LAN). Per accedere alla telecamera da Internet, è necessario configurare i router di rete per consentire il traffico in entrata, che di norma avviene su una porta specifica.

- Porta HTTP (porta predefinita 80) per la visualizzazione e la configurazione
- Porta RTSP (porta predefinita 554) per la visualizzazione di flussi video in formato H.264

Per ulteriori istruzioni, consultare la documentazione del router. Per ulteriori informazioni su questo e altri argomenti, visitare il sito Web per il supporto Axis all'indirizzo [www.axis.com/techsup](http://www.axis.com/techsup)

## Ulteriori informazioni

La Guida per l'utente è disponibile sul sito Web di Axis all'indirizzo [www.axis.com](http://www.axis.com)

Per maggiori informazioni sui prodotti e sulle tecnologie Axis visitare il sito [www.axis.com/academy](http://www.axis.com/academy), centro di apprendimento globale per i video di rete.

## Suggerimento!

Visitare il sito di Axis all'indirizzo [www.axis.com/techsup](http://www.axis.com/techsup) per verificare la disponibilità di aggiornamenti del firmware per il proprio prodotto Axis. Per conoscere la versione installata del software, selezionare Setup > About (Configurazione > Informazioni su) nell'interfaccia Web.

# Medidas preventivas

Lea atentamente la Guía de instalación antes de instalar el producto. Guarde la Guía de instalación para futuras consultas.

## ¡PRECAUCIÓN!

- A la hora de transportar el producto Axis, utilice el embalaje original o uno equivalente para no dañar el producto.
- Guarde el producto Axis en un entorno seco y ventilado.
- Evite exponer el producto Axis a vibraciones, golpes o presiones excesivas y no instale la cámara en soportes inestables, o en superficies o paredes inestables o con vibraciones, ya que esto podría dañar el producto.
- Instale el producto Axis utilizando solo herramientas manuales, ya que el uso de herramientas eléctricas o de una fuerza excesiva podría dañarlos.
- No utilice productos químicos, agentes cáusticos ni limpiadores en aerosol. Límpielo con un paño húmedo.
- Utilice solo accesorios que cumplan las especificaciones técnicas del producto. Puede obtenerlos de Axis o de un tercero.
- Utilice solo piezas de recambio suministradas o recomendadas por Axis.
- No intente reparar el producto usted mismo, póngase en contacto con Axis o con el distribuidor de Axis para los temas de servicio técnico.

## ¡IMPORTANTE!

- Este producto Axis debe utilizarse de conformidad con la legislación y normativas locales.
- Para utilizar este producto Axis en exteriores, debe instalarse en una carcasa protectora para exteriores autorizada.

## Sustitución de la batería

Este producto Axis utiliza una batería de litio CR2032 de 3,0 V como fuente de alimentación para su reloj de tiempo real interno (RTC). En condiciones normales esta batería durará un mínimo de 5 años. Cuando la batería tiene poca carga el funcionamiento del RTC se puede ver afectado, ya que esto puede hacer que se reinicie cada vez que se encienda la cámara. Aparecerá un mensaje de registro cuando sea necesario sustituir la batería. No se debe sustituir la batería a menos que sea necesario.

Si necesita sustituir la batería, visite la página [www.axis.com/techsup](http://www.axis.com/techsup) para recibir asistencia.

- Peligro de explosión si la batería se sustituye de forma incorrecta.
- Utilice solo baterías de recambio iguales o equivalentes, de acuerdo con las recomendaciones del fabricante.
- Deseche las baterías usadas según las instrucciones del fabricante.

## Limpieza de la cubierta del domo

- Tenga cuidado de no arañar ni dañar la cubierta del domo. No limpie una cubierta del domo que parezca limpia y no pule nunca la superficie. El exceso de limpieza puede dañar la superficie.
- Para la limpieza general de la cubierta del domo se recomienda utilizar un jabón neutro no abrasivo y sin disolvente o un detergente con agua y un paño suave. Aclare bien con agua limpia tibia. Seque con un paño suave para evitar las manchas del agua.
- No utilice detergentes abrasivos, gasolina, benceno, acetona, etc., y evite limpiarlo con luz directa del sol o a temperaturas elevadas.

# Guía de instalación de la Cámara de red AXIS P3353/P3354/P3363-V/P3364-V

Esta guía de instalación incluye las instrucciones necesarias para instalar una Cámara de red AXIS P33 en su red. Para cualquier otra cuestión relativa al uso del producto, consulte el Manual del usuario, disponible en [www.axis.com](http://www.axis.com).

1. "Contenido del paquete" en la página 69
2. "Presentación del hardware" en la página 70
3. "Montaje de la cámara" en la página 71
4. "Asignación de la dirección IP" en la página 72
5. "Configuración de la contraseña" en la página 75
6. "Ajuste del objetivo" en la página 77
7. "Finalización de la instalación" en la página 78

## Notas:

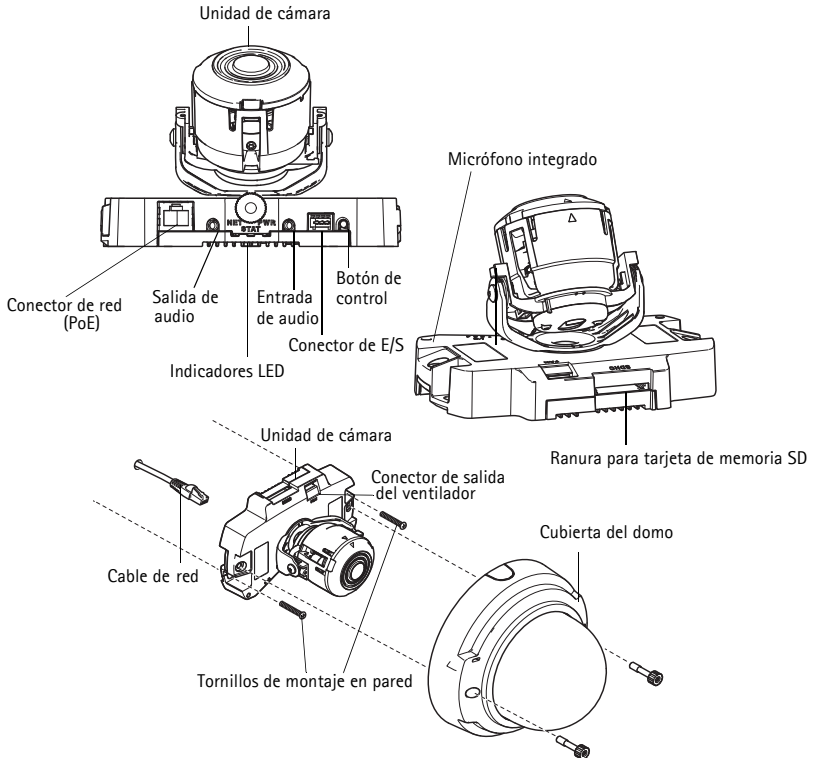
- Antes de comenzar, asegúrese de que el contenido del paquete, los cables, las herramientas y la documentación necesarios se encuentran disponibles. Consulte *Contenido del paquete* más adelante.
- Esta cámara de red se ha diseñado para que funcione con PoE; si no se encuentra disponible, utilice Midspan PoE de AXIS con 1 puerto (no incluido).

## 1 Contenido del paquete

Artículo	Modelos/variantes/notas
Cámara de red	AXIS P3353, AXIS P3354, AXIS P3363-V AXIS P3364-V
Cubiertas de domo	Cubierta transparente clara Cubierta transparente ahumada
Etiquetas	2 etiquetas adhesivas de número de serie
Kit de montaje	Destornillador Resitorx, plantilla de taladrado, conector del bloque de terminales
CD	CD de productos de vídeo en red de AXIS, que incluye herramientas de instalación y otro software
Material impreso	Guía de instalación (este documento) Documento de garantía de Axis Clave de autenticación AVHS
Accesorios opcionales	Escuadra de montaje (según la región) Visite <a href="http://www.axis.com">www.axis.com</a> para obtener información sobre los accesorios disponibles

## 2 Presentación del hardware

Cámara: P3363/P3364



**Nota:** Los modelos AXIS P3353 y AXIS P3354 no admiten E/S ni audio.

**Dimensiones (Alt. x Anch. x Prof.)**

AXIS P3353/AXIS P3354/AXIS P3363-V /AXIS P3364-V= 97 x 148 x 148 mm

**Peso**

AXIS P3353/AXIS P3354= 430 g

AXIS P3363-V /AXIS P3364-V= 650 g

### 3 Montaje de la cámara

Este producto Axis puede montarse haciendo pasar los cables a través o a lo largo de la pared. También se puede instalar con un conducto metálico para proteger el cableado cuando los cables se guían a lo largo de la pared. Consulte la siguiente ilustración.

#### Montaje de la cámara directamente en la pared

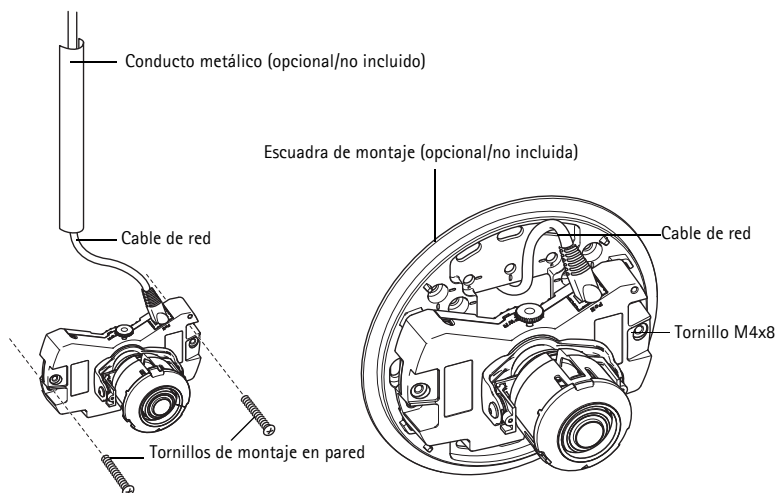
1. Mediante la plantilla de taladrado, haga 2 orificios en la pared.
2. Extienda y conecte el cable de red.
3. Fije la unidad de la cámara a la pared con los tornillos y tacos adecuados para el material de la pared.

#### Instalación de la cámara utilizando una escuadra de montaje (no incluida)

1. Mediante la plantilla de taladrado, haga 2 orificios en la pared.
2. Haga pasar el cable de red a través de la pared y de los orificios de la escuadra de montaje.
3. Fije la escuadra de montaje a la pared con los tornillos y tacos adecuados para el material de la pared.
4. Conecte el cable de red.
5. Conecte los cables de E/S y audio si es necesario; consulte la página 81 para más información.
6. Inserte la tarjeta de memoria SD si es necesario.
7. Fije la unidad de la cámara a la escuadra de montaje empleando dos tornillos adecuados.

#### Nota:

- Estas instrucciones son para instalar la cámara en una pared. La escuadra de montaje se puede utilizar también para instalar la cámara de red en una caja de conexiones.
- Los modelos AXIS P3353 y AXIS P3354 no admiten audio ni E/S.





## 4 Asignación de la dirección IP

La cámara de red está diseñada para utilizarse en una red Ethernet y necesita una dirección IP para el acceso. Actualmente, la mayoría de redes dispone de un servidor DHCP que asigna direcciones IP de forma automática a los dispositivos conectados. Si su red no dispone de un servidor DHCP, la cámara de red utilizará 192.168.0.90 como dirección IP predeterminada.

AXIS IP Utility y AXIS Camera Management son los métodos recomendados para configurar una dirección IP en Windows. Estas aplicaciones son gratuitas y están disponibles en el CD de productos de vídeo en red de Axis suministrado con este producto, o pueden descargarse de [www.axis.com/techsup](http://www.axis.com/techsup).

En función del número de cámaras que desee instalar, utilice el método que mejor se adapte a sus necesidades.

Método	Recomendado para	Sistema operativo
 AXIS IP Utility Consulte la página 73	Cámara individual Instalaciones pequeñas	Windows
 AXIS Camera Management Consulte la página 74	Varias cámaras Instalaciones grandes Instalación en una subred diferente	Windows 2000 Windows XP Pro Windows 2003 Server Windows 2008 Server Windows Vista Windows 7

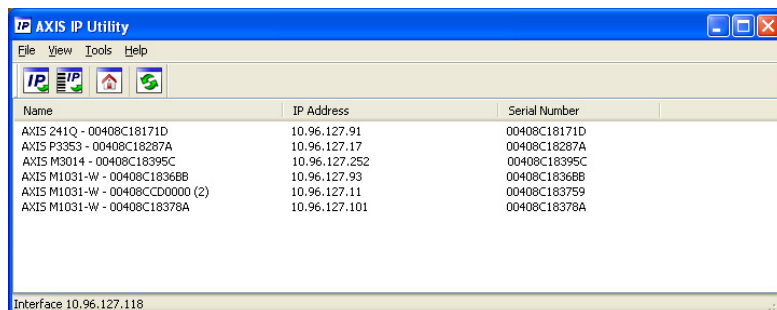
### Notas:

- Si no puede configurar la dirección IP, verifique que no haya ningún cortafuegos que bloquee la operación.
- Consulte la página 79 para conocer otros métodos disponibles para configurar o detectar la dirección IP de la cámara de red en otros sistemas operativos.



## AXIS IP Utility: para cámaras individuales o instalaciones pequeñas

AXIS IP Utility detecta y muestra automáticamente los dispositivos Axis que existen en su red. A través de esta aplicación también puede configurar manualmente una dirección IP estática. AXIS IP Utility está disponible en el CD de productos de vídeo en red de AXIS, o bien puede descargarse en [www.axis.com/techsup](http://www.axis.com/techsup).




Tenga en cuenta que debe instalar la cámara de red en el mismo segmento de red (subred física) que el ordenador que ejecuta AXIS IP Utility.

### Detección automática

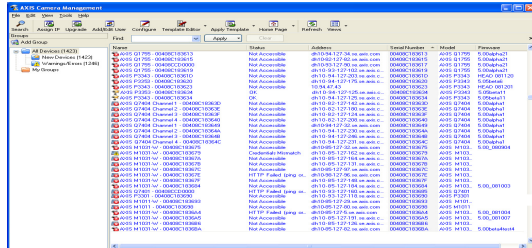
1. Compruebe que la cámara de red está conectada a la red y que recibe alimentación.
2. Inicie AXIS IP Utility.
3. Cuando el nombre de la cámara aparezca en la ventana, haga doble clic en ella para abrir la página de inicio.
4. Consulte la página 75 para obtener instrucciones sobre cómo configurar la contraseña.

### Configuración manual de la dirección IP (opcional)

1. Adquiera una dirección IP libre en el mismo segmento de red en el que está conectado su equipo.
2. Seleccione la cámara de red en la lista.
3. Haga clic en el botón  **Assign new IP address to selected device** (Asignar nueva dirección IP al dispositivo seleccionado) y escriba el número de serie y la dirección IP de la cámara de red. El número de serie se indica en la etiqueta del producto.
4. Haga clic en el botón **Assign** (Asignar) y siga las instrucciones que aparecen en la pantalla. Recuerde que debe reiniciar la cámara en menos de dos minutos para que se configure la nueva dirección IP.
5. Haga clic en el botón **Home Page** (Página de inicio) para acceder a las páginas web de la cámara.
6. Consulte la página 75 para obtener instrucciones sobre cómo configurar la contraseña.

## AXIS Camera Management: para varias cámaras o instalaciones grandes


AXIS Camera Management puede detectar automáticamente varios dispositivos Axis, mostrar el estado de la conexión, gestionar las actualizaciones del firmware y configurar direcciones IP.

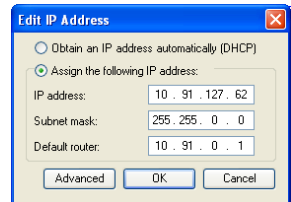


### Detección automática

1. Compruebe que la cámara está conectada a la red y que recibe alimentación.
2. Inicie AXIS Camera Management. Cuando la cámara aparezca en la ventana, haga clic en el botón derecho en el enlace y seleccione Live View Home Page (Página de inicio de Live View).
3. Consulte la página 75 para obtener instrucciones sobre cómo configurar la contraseña.


### Asignación de una dirección IP en un dispositivo individual

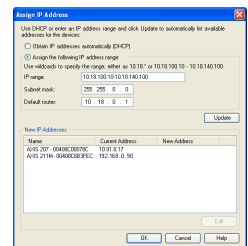
1. Seleccione la cámara en AXIS Camera Management y haga clic en el botón Assign IP (Asignar IP) .
2. Seleccione Assign the following IP address (Asignar la dirección IP siguiente) y escriba la dirección IP, la máscara de subred y el router predeterminado que utilizará el dispositivo.
3. Haga clic en OK (Aceptar).



### Asignación de direcciones IP en varios dispositivos

AXIS Camera Management acelera el proceso de asignación de direcciones IP en varios dispositivos indicando direcciones IP disponibles dentro de un intervalo especificado.

1. Seleccione los dispositivos que desee configurar (se pueden seleccionar varios modelos) y haga clic en el botón Assign IP (Asignar IP) .
2. Seleccione Assign the following IP address range (Asignar el intervalo de direcciones IP siguiente) y escriba las direcciones IP, la máscara de subred y el router predeterminado que utilizará el dispositivo.
3. Haga clic en el botón OK (Aceptar).



## 5 Configuración de la contraseña

Para poder acceder al producto, hay que asignar una contraseña para el administrador root (es el usuario predeterminado). Al acceder por primera vez a la cámara de red, aparecerá el cuadro de diálogo **Configure Root Password** (Configurar contraseña de root).

Para evitar la interceptación de la contraseña de root mientras se configura, este proceso se puede realizar a través de una conexión HTTPS cifrada, que precisa un certificado HTTPS.

Para configurar la contraseña a través de una conexión HTTP estándar, escribala en la ventana **Configure Root Password** (Configurar contraseña de root). Para configurar la contraseña a través de una conexión HTTPS cifrada, siga estos pasos:

1. Haga clic en el botón **Create self-signed certificate** (Crear un certificado de autofirma).
2. Proporcione la información que se le solicite y haga clic en **OK** (Aceptar). Se creará el certificado y se podrá configurar la contraseña con seguridad. Todo el tráfico hacia y desde la cámara de red se cifrará a partir de este punto.
3. A continuación, escriba una contraseña y vuelva a escribirla para confirmarla. Haga clic en **OK** (Aceptar). La contraseña ya se ha configurado.

Para crear una conexión HTTPS, empiece haciendo clic en este botón.

The first screenshot shows the 'Create Certificate' dialog box. It has a title bar with the AXIS logo and the text 'Create Certificate'. Below the title, it says 'Secure configuration of the root password via HTTPS requires a self-signed certificate.' There is a button labeled 'Create self-signed certificate...'. Below this, there is a section titled 'Configure Root Password' with fields for 'User name:' (root), 'Password:', and 'Confirm password:'. At the bottom, there is a note: 'The password for the pre-configured administrator root must be changed before the product can be used. If the password for root is lost, the product must be reset to the factory default settings, by pressing the button located in the product's casing. Please see the user documentation for more information.'

The second screenshot shows the 'Create Self-Signed Certificate' dialog box. It has a title bar with the AXIS logo and the text 'Create Self-Signed Certificate'. It has a 'Common name:' field with the value '10.92.25.211' and a 'Validity:' field with the value '365' days. Below these fields, there is a note: 'The name of the entity to be certified, i.e. the IP address or host name of this product.' There are 'OK' and 'Cancel' buttons. At the bottom, there is a note: 'Once the certificate is created, this page will close and you will be able to configure the root password via HTTPS.'

The third screenshot shows the 'Configure Root Password using HTTPS' dialog box. It has a title bar with the AXIS logo and the text 'Configure Root Password using HTTPS'. It has fields for 'User name:' (root), 'Password:', and 'Confirm password:'. There is an 'OK' button. At the bottom, there is a note: 'The password for the pre-configured administrator root must be changed before the product can be used. If the password for root is lost, the product must be reset to the factory default settings, by pressing the button located in the product's casing. Please see the user documentation for more information.'

Para configurar directamente la contraseña a través de una conexión sin cifrar, escriba aquí la contraseña.

4. Para iniciar sesión, escriba el nombre de usuario "root" en el cuadro de diálogo.

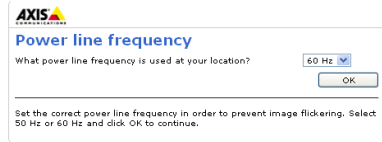
**Nota:** El nombre de usuario predeterminado para el administrador root no se puede eliminar.

5. Escriba la contraseña que introdujo anteriormente y haga clic en **OK** (Aceptar). Si ha perdido u olvidado la contraseña, la cámara de red debe restablecerse a los valores iniciales. Consulte la página 83.

En caso necesario, haga clic en **Yes (Si)** para instalar AMC (AXIS Media Control) y así permitir la visualización de transmisiones de vídeo en Internet Explorer. Para ello, debe tener derechos de administrador en el equipo.

**Nota:** Para instalar AMC en Windows 7/Windows Vista, debe ejecutar Internet Explorer como administrador. Haga clic con el botón derecho en el icono de Internet Explorer y seleccione **Ejecutar como administrador**.

6. La primera vez que acceda a la cámara de red, seleccione en la lista desplegable la frecuencia de la línea de alimentación (50 Hz o 60 Hz) que se utilice en su ubicación.



**Nota:** La frecuencia de la línea de alimentación se puede modificar en Plain Config (Configuración normal) o bien restableciendo el producto a los valores iniciales. Si se selecciona una frecuencia errónea, la imagen parpadeará cuando el producto se utilice en entornos de luz fluorescente. Cuando se emplea 50 Hz, la frecuencia de imagen máxima se limita a 25 imágenes por segundo.

## Acceso a la transmisión de vídeo

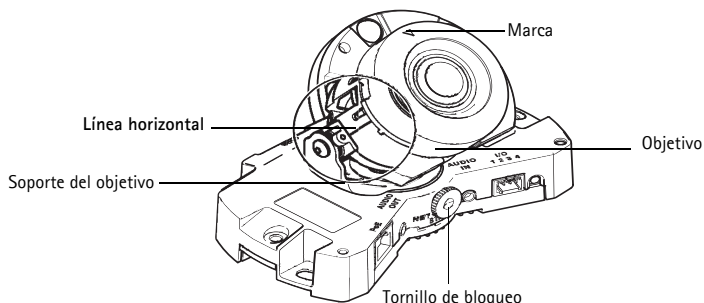
La página **Live View** de la cámara de red aparece con enlaces a las herramientas de configuración que le permiten personalizar la cámara.

En caso necesario, haga clic en **Yes (Si)** para instalar AMC (AXIS Media Control) y así permitir la visualización de transmisiones de vídeo en Internet Explorer. Para ello, debe tener derechos de administrador en el equipo.

**Nota:** Para instalar AMC en Windows 7/Windows Vista, debe ejecutar Internet Explorer como administrador. Haga clic con el botón derecho en el icono de Internet Explorer y seleccione **Ejecutar como administrador**.



## 6 Ajuste del objetivo



Abra la página **Live View** en la interfaz web y realice los siguientes ajustes en la cámara:

1. Afloje el tornillo de bloqueo.
2. Gire el soporte del objetivo hasta la posición que desee.
3. Gire el objetivo para asegurarse de que las líneas (horizontales) de ambos lados del objetivo estén alineadas horizontalmente.

**Nota:** Asegúrese de que la marca de la cubierta del objetivo, entre las líneas horizontales, está hacia arriba.

4. Una vez que haya conseguido la posición deseada, apriete con cuidado el tornillo de bloqueo para fijar la posición de la cámara.
5. Abra la página **Focus Adjustment (Ajuste de enfoque)** en la interfaz web en **Setup (Configuración) > Basic Setup (Configuración básica) > Focus & Zoom (Enfoque y zoom)** y siga las instrucciones que aparecen en pantalla. Utilice la ventana de la imagen para ajustar el zoom y el enfoque. Para más información, consulte los archivos de ayuda en línea.

**Nota:**

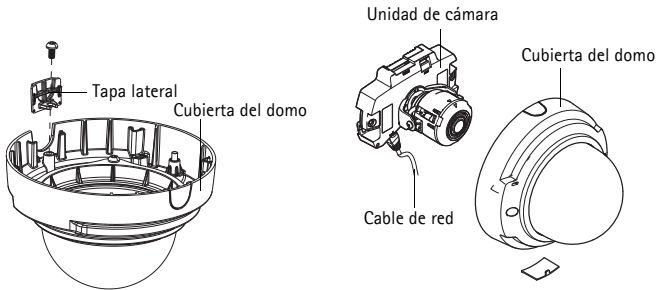
- Debido a la refracción del domo, puede que la imagen aparezca ligeramente desenfocada una vez que se haya colocado el domo. Para corregir esto, vaya a la página **Focus Adjustment (Ajuste de enfoque)** en la interfaz web en **Setup (Configuración) > Basic Setup (Configuración básica) > Focus & Zoom (Enfoque y zoom)** y vuelva a ajustar el enfoque.

**¡Advertencia!** Si ajusta manualmente el enfoque y el zoom puede dañar el objetivo.

## 7 Finalización de la instalación

1. Si se guían los cables lo largo de la pared, retire la tapa lateral de la cubierta del domo de la cámara.
2. Gire el revestimiento de protección negro del interior de la carcasa del domo para que coincida con la posición de la cámara.
3. Limpie el domo con un trapo suave y seco para eliminar el polvo y las huellas dactilares y utilice un ventilador para retirar el polvo del objetivo.
4. Monte la carcasa del domo utilizando los tornillos a prueba de manipulaciones y el destornillador suministrados. Ahora que el domo se encuentra en su sitio, compruebe que la

La instalación ha finalizado.



## Otros métodos para configurar la dirección IP

En esta tabla se presentan otros métodos disponibles para configurar o detectar la dirección IP. Todos los métodos están habilitados de forma predeterminada y es posible deshabilitarlos.

	Uso en sistema operativo	Notas
UPnP™	Windows	Siempre que esta opción esté habilitada, el equipo detecta y añade automáticamente la cámara a "Mis sitios de red".
Bonjour	MAC OS X (10.4 o posterior)	Aplicable a exploradores compatibles con Bonjour. Navegue hasta el favorito Bonjour del explorador (p. ej., Safari) y haga clic en el vínculo para acceder a las páginas web de la cámara.
Servicio de DNS dinámico de AXIS	Todos	Servicio gratuito suministrado por Axis que permite instalar la cámara de forma rápida y sencilla. Es necesario disponer de conexión a Internet sin proxy HTTP. Para obtener más información, consulte <a href="http://www.axiscam.net">www.axiscam.net</a> .
ARP/Ping	Todos	Véase la información a continuación. El comando debe emitirse en los dos minutos posteriores al encendido de la cámara.
Acceso a las páginas de administración del servidor DHCP	Todos	Para acceder a las páginas de administración del servidor DHCP en red, consulte la documentación del servidor.

### AXIS Video Hosting System (AVHS)

La cámara también se puede conectar a un servicio AVHS de vídeo alojado. Si se ha suscrito a un servicio AVHS, siga las instrucciones incluidas en la Guía de instalación del proveedor de servicios. Para obtener más información y asistencia para encontrar un proveedor de servicios AVHS local, visite [www.axis.com/hosting](http://www.axis.com/hosting).

Se incluye una clave de autenticación del propietario de la cámara con este producto. La clave está asociada al número de serie (S/N) exclusivo de la cámara, que se muestra en la parte superior de la etiqueta.

**Nota:** Conserve la clave para referencia en el futuro.

## Configuración de la dirección IP con ARP/Ping

1. Obtenga una dirección IP estática libre en el mismo segmento de red en el que está conectado su equipo.
2. Localice el número de serie (S/N) en la etiqueta de la cámara.
3. Abra una línea de comando en su equipo y escriba los comandos siguientes:

Sintaxis en Windows	Ejemplo en Windows
<pre>arp -s &lt;Dirección IP&gt; &lt;Número de serie&gt; ping -l 408 -t &lt;Dirección IP&gt;</pre>	<pre>arp -s 192.168.0.125 00-40-8c-18-10-00 ping -l 408 -t 192.168.0.125</pre>
Sintaxis en UNIX/Linux/Mac	Ejemplo en UNIX/Linux/Mac
<pre>arp -s &lt;Dirección IP&gt; &lt;Número de serie&gt; temp ping -s 408 &lt;Dirección IP&gt;</pre>	<pre>arp -s 192.168.0.125 00:40:8c:18:10:00 temp ping -s 408 192.168.0.125</pre>

4. Compruebe que el cable de red está conectado a la cámara de red y, a continuación, desconecte y vuelva a conectar la corriente para iniciarla o reiniciarla. Si se usa PoE, inicie/reinicie la cámara de red desconectando y volviendo a conectar el cable de red.
5. Cierre la línea de comando cuando vea "Reply from 192.168.0.125:..." (Respuesta de 192.168.0.125:...) o similar.
6. En el navegador, escriba `http://<dirección IP>` en el campo Localización/Dirección y pulse Intro en el teclado.

### Notas:

- Para abrir una línea de comando en Windows: desde el menú Inicio, seleccione Ejecutar... y escriba cmd. Haga clic en Aceptar.
- Para utilizar el comando ARP en un sistema operativo Mac OS X, emplee la herramienta Terminal, que se encuentra en Aplicaciones > Utilidades.



## Conectores

**Nota:** Los modelos AXIS P3353 y AXIS P3354 no admiten audio ni E/S.

**Conector de red:** conector Ethernet RJ-45. Compatible con PoE (alimentación a través de Ethernet).

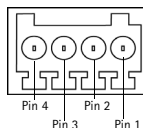
Debido a la normativa local o a las condiciones ambientales y eléctricas en las que vaya a utilizar el producto, puede que sea conveniente o necesario un cable de red blindado (STP). Los cables de red que se utilicen en exteriores o similares deberán estar blindados (STP) y diseñados para su uso específico. Asegúrese de que el switch de red disponga de una conexión a tierra adecuada. Consulte Compatibilidad electromagnética (EMC) para conocer los requisitos normativos.

**Entrada de audio:** conector de 3,5 mm para micrófono mono, o entrada de línea de señal mono (se usa el canal izquierdo de una señal estéreo).

**Salida de audio:** salida de audio (nivel de línea) que se puede conectar a un sistema de megafonía pública o a un altavoz con amplificador incorporado. También pueden conectarse unos auriculares. Debe utilizarse un conector estéreo.

**Ranura para tarjeta de memoria SDHC:** se puede usar la tarjeta de memoria SD para grabación local con almacenamiento extraíble.

**Conector del terminal de E/S:** se utiliza en aplicaciones como detección de movimiento, activación de eventos, grabación de secuencias y notificaciones de alarma. Además de un pin de alimentación auxiliar y un pin de conexión a tierra GND, proporciona a la interfaz la conexión de:



- 1 salida de transistor: para conectar relés e indicadores LED. Se pueden activar dispositivos conectados mediante la interfaz de programación de aplicaciones (API) VAPIX®, los botones de salida de la página Live View o mediante una norma de actuación. La salida se mostrará activa en System Options (Opciones del sistema) > Ports & Devices (Puertos y dispositivos) si el dispositivo de alarma está activado.

- 1 entrada digital: una entrada de alarma para conectar dispositivos que puedan alternar circuitos cerrados y abiertos, como PIR, contactos de puertas y ventanas y detectores de rotura de cristales. Cuando se recibe una señal, el estado cambia y la entrada se vuelve activa, como se indica en System Options (Opciones del sistema) > Ports & Devices (Puertos y dispositivos).

Función	Pin	Notas	Especificaciones
Conector a tierra (GND)	1	Conector a tierra (GND)	
Alimentación de 3,3 V CC	2	Se puede utilizar para alimentar equipos auxiliares. <b>Nota:</b> este pin <u>solo</u> se puede usar como salida de alimentación.	Carga máx.= 50 mA
Entrada digital	3	Conecte a una toma de tierra (GND) para activarla o déjela suelta (o desconectada) para desactivarla.	Entrada mín.= de 0 a - 40 V CC Entrada máx.= de 0 a + 40 V CC
Salida digital	4	Utiliza un transistor NFET de drenaje abierto con la fuente conectada a la toma de tierra (GND). Si se utiliza con un relé externo, debe conectarse un diodo en paralelo a la carga como protección ante oscilaciones de tensión.	Carga máx.= 100 mA Voltaje máx.= + 40 V CC

## Indicadores LED

LED	Color	Indicación
Red	Verde	Fijo para indicar la conexión a una red de 100 Mbits/s. Parpadea para indicar actividad en la red.
	Ámbar	Fijo para indicar conexión a una red de 10 Mbits/s. Parpadea para indicar actividad en la red.
	Apagado	Sin conexión a la red.
Estado	Verde	Verde fijo para indicar funcionamiento normal.
	Ámbar	Fijo durante el inicio o durante el restablecimiento de los valores o la configuración iniciales.
	Rojo	Parpadeo lento si no se puede realizar una actualización.
Encendido	Verde	Funcionamiento normal.
	Ámbar	Parpadea en verde/ámbar durante la actualización del firmware.

## Restablecimiento de los valores iniciales

Mediante esta operación se restablecerá la configuración predeterminada original de todos los parámetros, incluida la dirección IP:

1. Desconecte la alimentación de la cámara.
2. Mantenga pulsado el botón de control y vuelva a conectar la alimentación (consulte Presentación del hardware en la página ).
3. Mantenga pulsado el botón de control durante 15 segundos hasta que el indicador de estado parpadee en color ámbar.
4. Suelte el botón de control. El proceso finalizará aproximadamente en 1 minuto (cuando el indicador de estado se ilumine en color verde). La cámara de red habrá recuperado los valores iniciales. La dirección IP predeterminada es 192.168.0.90.
5. Vuelva a asignar la dirección IP.
6. Vuelva a enfocar la cámara.

También es posible restablecer los parámetros a los valores iniciales mediante la interfaz web. Vaya a Setup (Configuración) > System Options (Opciones del sistema) > Maintenance (Mantenimiento).

## Acceso a la cámara desde Internet

Una vez instalada, podrá acceder a la cámara de red desde su red local (LAN). Para acceder a la cámara desde Internet, los routers de red deben configurarse para permitir tráfico entrante, cosa que normalmente se realiza en un puerto específico.

- Puerto HTTP (puerto 80 predeterminado) para visualización y configuración
- Puerto RTSP (puerto 554 predeterminado) para visualización de transmisiones de vídeo H.264

Consulte la documentación de su router para obtener más instrucciones. Para obtener más información sobre este y otros temas, visite el sitio web de ayuda de Axis en [www.axis.com/techsup](http://www.axis.com/techsup).

## Más información

El manual del usuario está disponible en el sitio web de Axis en [www.axis.com](http://www.axis.com).

Para obtener más información sobre los productos y tecnologías de Axis, visite [www.axis.com/academy](http://www.axis.com/academy), centro de formación mundial para el vídeo en red.

### Un consejo:

Visite [www.axis.com/techsup](http://www.axis.com/techsup) para comprobar si hay disponible firmware actualizado para su producto de Axis. Para consultar la versión de firmware que tiene instalada actualmente, vaya a Setup (Configuración) > About (Acerca de) en la interfaz web.





Installation Guide

Ver.1.1

AXIS P33 Network Camera Series

Printed: March 2012

© Axis Communications AB, 2012

Part No. 46934