

AXIS T94P01L Recessed Mount

Repainting Instructions

AXIS T94P01L Recessed Mount

Impact on warranty

Impact on warranty

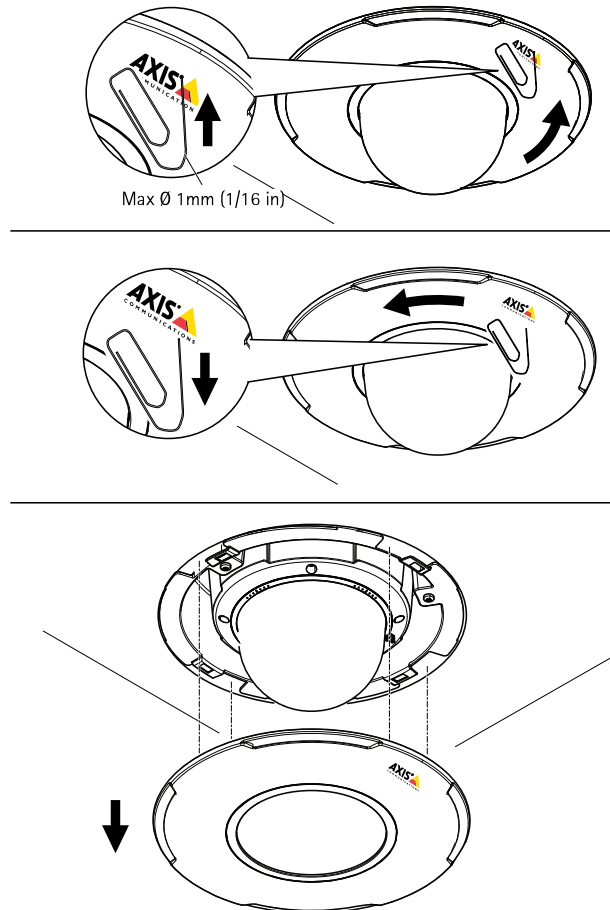
This product is approved for repaint by Axis, provided that you follow the instructions in this document and at www.axis.com/warranty-implication-when-repainting

AXIS T94P01L Recessed Mount

How to repaint the product

How to repaint the product

Disassembly



1. Insert an object (maximum diameter 1 mm (1/16 in)) in the small cover ring hole.
2. Turn the cover ring anti-clockwise and remove the object.
3. Remove the cover ring from the camera unit.

Preparations

- If applicable, the equipment must be disassembled according to the instructions in this document.
- Each part should be stripped from components and crucial parts masked to ensure successful reassembly.
- All parts to be repainted should be stripped of gaskets, screws, electrical components, connectors and plugs, windows and domes.
- All parts to be repainted must be thoroughly cleaned to remove grease, dust or oil.

AXIS T94P01L Recessed Mount

How to repaint the product

- To ensure reassembly and functionality of the product, openings for screws, LED indicators, or microphones must be masked before painting.

Pretreatment of parts

Depending on the part material and type of paint applied at factory, different pretreatments should be done for the new paint to adhere as well as possible. For all variants though, proper cleaning to remove oil, grease and dust is strongly recommended.

For more information on the materials used in the product, see its datasheet at www.axis.com

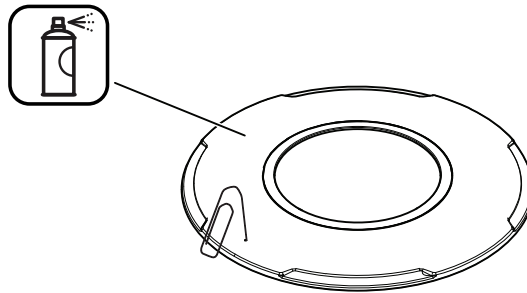
Powder coated parts – Using fine sandpaper, remove the original powder coating down to the stainless steel surface and clean the parts before painting, or use a primer.

Anodised and chromated parts – Use a primer.

Uncoated stainless steel – No special pretreatment is needed, but make sure that the surface is clean before painting.

Plastic – Use a primer.

Repainting



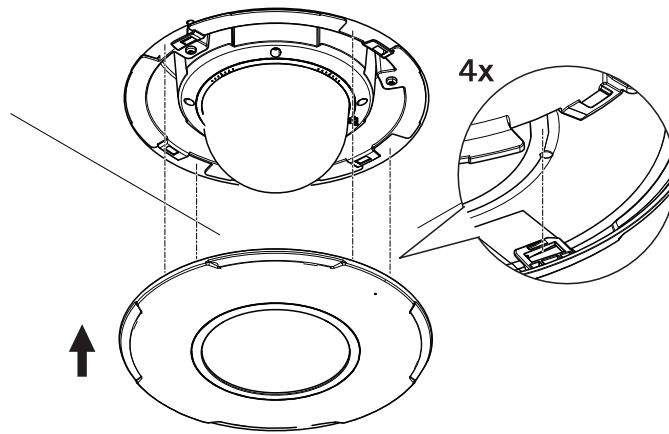
1. Make sure all necessary preparations of the cover ring has been made. See *Preparations on page 3*.
2. Insert an object (maximum diameter 1 mm (1/16 in)) in the small cover ring hole to protect it from paint.
3. Apply a thin and even layer of spray paint to the outside of the cover ring, according to the instructions of the paint manufacturer.
4. Let the paint dry.
5. To get a better coverage and clearer color, apply a second layer of spray paint.
6. When the paint is dry, reassemble the product.

Reassembly

1. Reattach the cover ring to the camera unit.

AXIS T94P01L Recessed Mount

How to repaint the product



2. Turn the cover ring clock-wise until it snaps.

