

AXIS T92G20 Outdoor Housing

Repainting Instructions

AXIS T92G20 Outdoor Housing

Impact on warranty

Impact on warranty

This product is approved for repaint by Axis, provided that you follow the instructions in this document and at www.axis.com/warranty-implication-when-repainting

Risks with repainting

There are several risks when disassembling or assembling an Axis product. There is always a certain yield loss during assembly. Training of operators and the use of correct tools mediates some of the problems but they can never be fully avoided. Some of the risks include:

ESD Damage – Always handle the product in an ESD safe environment. Even if precautions are taken there is always a risk of ESD damage. The damage can remain undetected and cause problems during the lifetime of the equipment.

Dust contamination – Opening a camera may expose the lens and sensor to dust or paint. Dust will affect the optical performance. Lenses need to be disassembled in a dust-free environment, preferably a cleanroom.

Paint overspray – Masking the different components of the equipment is critical. Failure to mask sensitive areas can cause problems with assembling the equipment. Any areas that are not painted at factory or have a different surface treatment than the rest of the parts (threads, ground and electrical contact surfaces) must also be masked to ensure function.

AXIS T92G20 Outdoor Housing

How to repaint the product

How to repaint the product

Preparations

- If applicable, disassemble the equipment according to the instructions in this document.
- Remove gaskets, screws, electrical components, connectors and plugs, windows, and domes from the parts to be repainted.
- Clean all parts to be repainted thoroughly to remove grease, dust, or oil.
- To ensure reassembly and functionality of the product, mask openings for screws, LED indicators, or microphones before painting.

Pretreatment of parts

Depending on the part material and type of paint applied at factory, different pretreatment should be done for the new paint to adhere as well as possible. Clean the parts properly to remove oil, grease and dust.

For more information on the materials used in the product, see its datasheet at www.axis.com

Powder coated parts – Using fine sandpaper, remove the original powder coating down to the base material and clean the parts before painting, or use a primer.

Anodised and chromated parts – Use a primer.

Uncoated stainless steel – No special pretreatment is needed, but make sure that the surface is clean before painting.

Plastic – Use a primer.

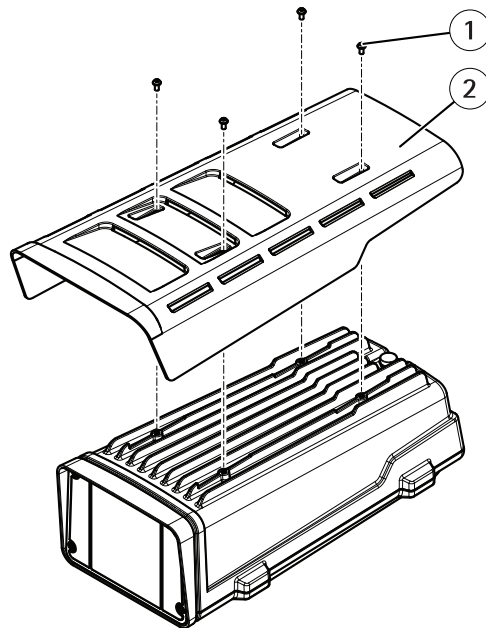
Disassembly

Disassemble the housing

1. Remove the screws and the weathershield.

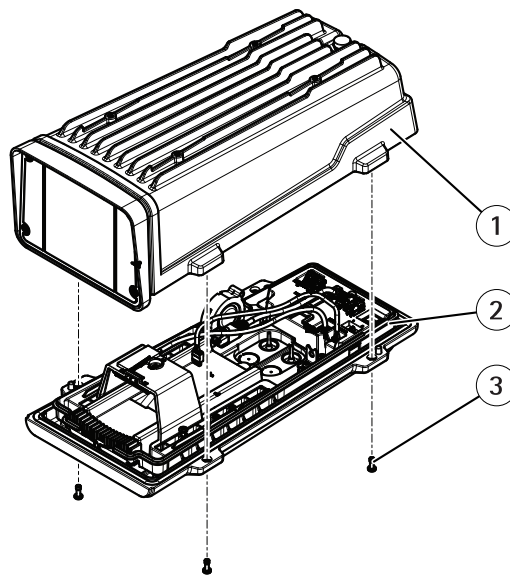
AXIS T92G20 Outdoor Housing

How to repaint the product



- 1 Screw T20
- 2 Weathershield

2. Remove the screws and the top cover from the bottom chassis.



- 1 Top cover
- 2 Bottom chassis
- 3 Screw T20

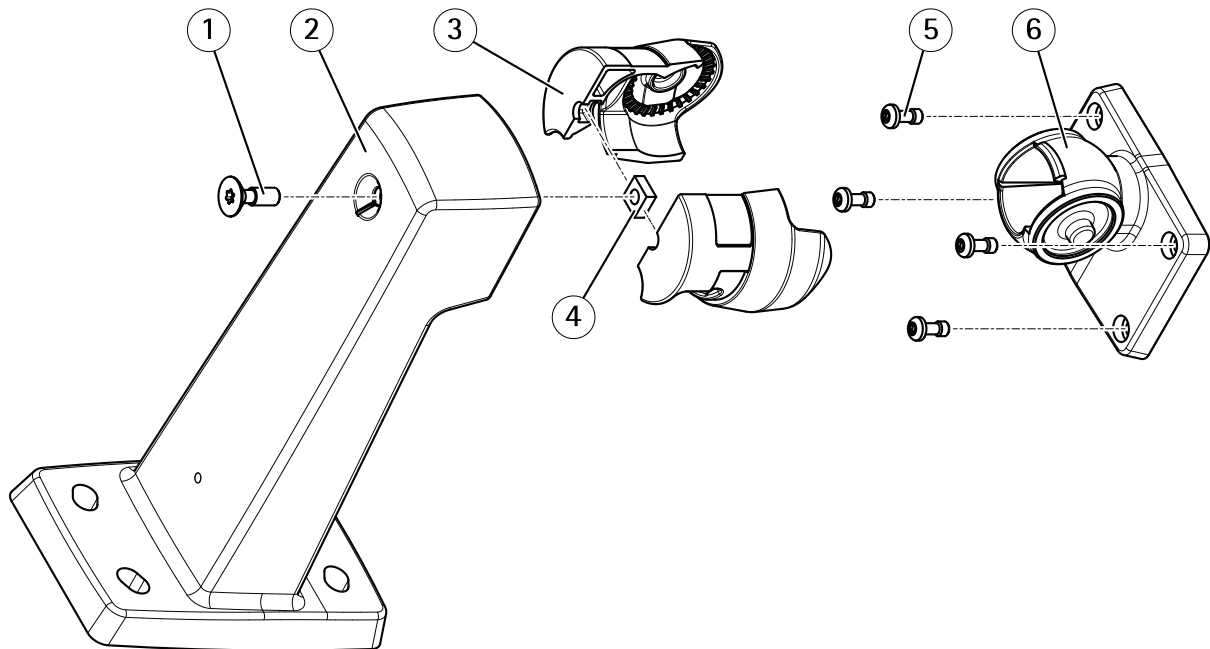
Disassemble the wall mount bracket

1. Remove the screw at the bottom of the arm.
2. Separate the socket and the square nut.

AXIS T92G20 Outdoor Housing

How to repaint the product

3. Remove the four screws from the ball joint.



- 1 Screw T30
- 2 Arm
- 3 Socket
- 4 Square nut
- 5 Screw T20 (4x)
- 6 Ball joint

Masking

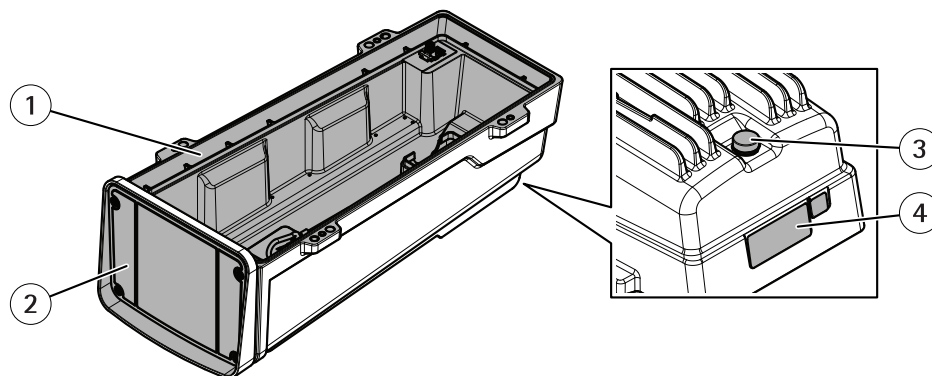
Masking the top cover

Mask the following parts of the top cover:

1. Everything on the inside.
2. The front window including the black areas.
3. The vent membrane.
4. The label.

AXIS T92G20 Outdoor Housing

How to repaint the product

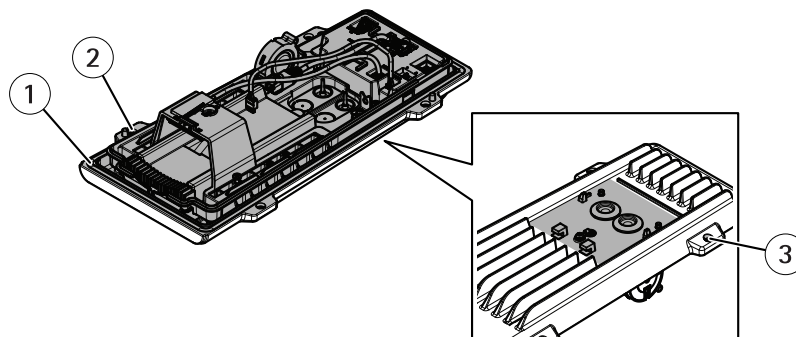


- 1 Inside
- 2 Front window
- 3 Vent membrane
- 4 Label

Masking the bottom chassis

Mask the following parts of the bottom chassis:

1. Everything on the top side of the bottom chassis, including the gasket and the four screw holes.
2. The surface under the adapter for the wall mount.
3. The four screw holes.



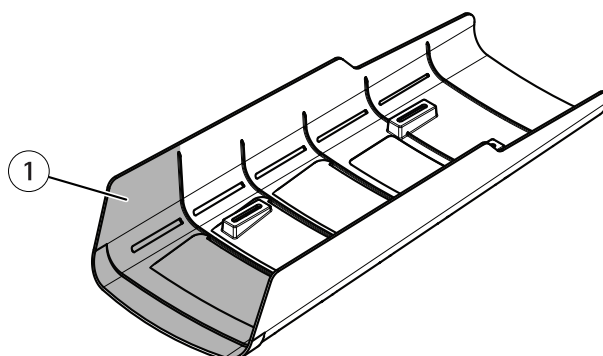
- 1 Gasket
- 2 Screw hole (4x)
- 3 Screw hole (4x)

Masking the weathershield

Mask the black part of the weathershield.

AXIS T92G20 Outdoor Housing

How to repaint the product

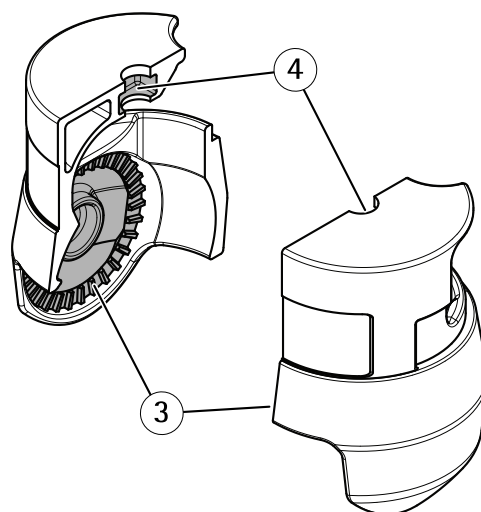
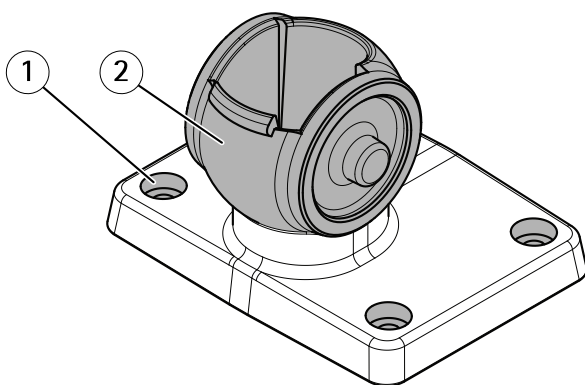


1 Black

Masking the wall mount bracket

Mask the following parts:

1. The four screw holes
2. The ball joint.
3. The socket teeth.
4. The slot for the square nut.



- 1 Screw hole (4x)
- 2 Ball joint
- 3 Socket teeth
- 4 Slot

Repainting

1. Apply a thin and even layer of spray paint according to the instructions of the paint manufacturer.
2. Let the paint dry.
3. To get a better coverage and clearer color, apply a second layer of spray paint.

AXIS T92G20 Outdoor Housing

How to repaint the product

4. When the paint is dry, remove the masking and reassemble the product.

Reassembly

Reassemble the product.

For more information, see the Installation Guide available at axis.com

