

## **AXIS Q8685 Series**

**AXIS Q8685-E PTZ Network Camera**

**AXIS Q8685-LE PTZ Network Camera**

## **Repainting Instructions**

# AXIS Q8685 Series

## Impact on warranty

---

### Impact on warranty

This product is approved for repaint by Axis, provided that you follow the instructions in this document and at [www.axis.com/warranty-implication-when-repainting](http://www.axis.com/warranty-implication-when-repainting)

### Risks with repainting

There are several risks when disassembling or assembling an Axis product. There is always a certain yield loss during assembly. Training of operators and the use of correct tools mediates some of the problems but they can never be fully avoided. Some of the risks include:

**ESD Damage** – Always handle the product in an ESD safe environment. Even if precautions are taken there is always a risk of ESD damage. The damage can remain undetected and cause problems during the lifetime of the equipment.

**Dust contamination** – Opening a camera may expose the lens and sensor to dust or paint. Dust will affect the optical performance. Lenses need to be disassembled in a dust-free environment, preferably a cleanroom.

**Paint overspray** – Masking the different components of the equipment is critical. Failure to mask sensitive areas can cause problems with assembling the equipment. Any areas that are not painted at factory or have a different surface treatment than the rest of the parts (threads, ground and electrical contact surfaces) must also be masked to ensure function.

# AXIS Q8685 Series

## How to repaint the product

---

### How to repaint the product

#### Preparations

- Disassemble the product according to provided instructions.
- Mask crucial parts of the product to prevent paint from entering inside, and to ensure successful reassembly.
- Clean the areas to be repainted from grease, dust and oil, and pretreat the different parts using applicable methods based on the part materials and the type of paint applied at the factory.

#### Disassembly

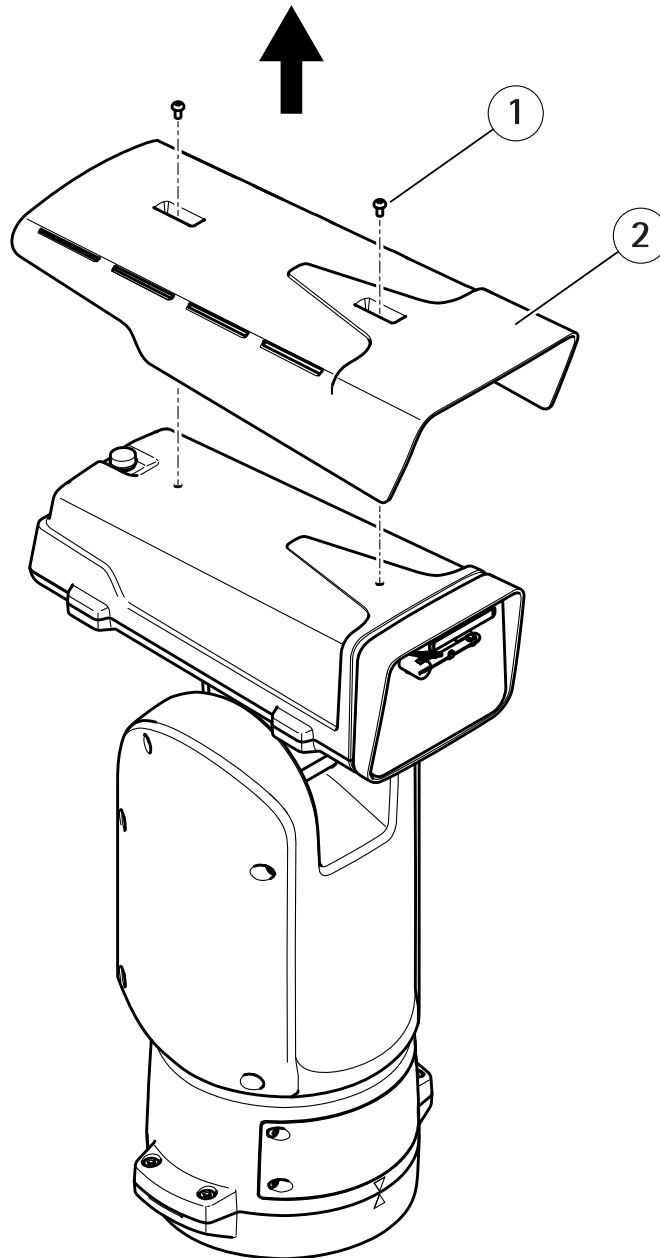
##### Important

Removing any other parts than specified here means that the ingress protection (IP) rating of your product cannot be guaranteed. Removing any additional parts will result in lapse of warranty.

## AXIS Q8685 Series

### How to repaint the product

---



- 1 Sunshield screw (2x)
- 2 Sunshield

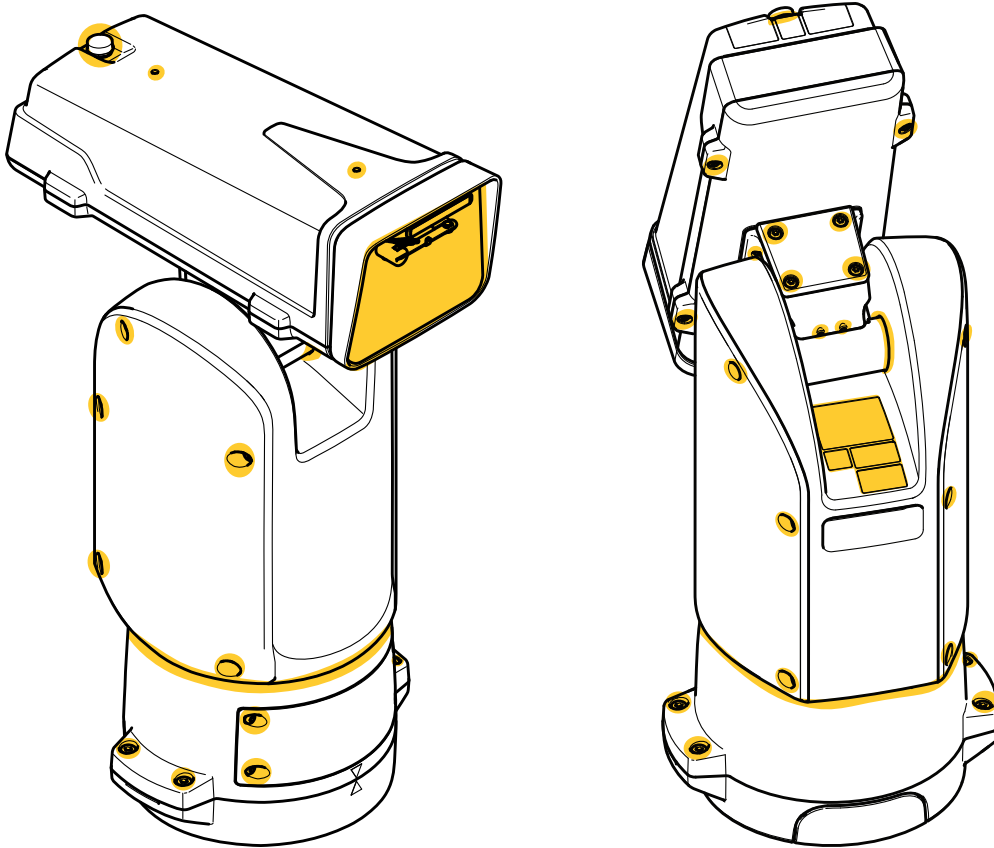
1. Remove the sunshield screws.
2. Remove the sunshield.

# AXIS Q8685 Series

## How to repaint the product

---

### Masking



Mask the following parts:

- All visible screws, screw holes and ventilation holes
- Shaft openings in the pan unit
- Opening between the base unit and the pan unit
- Labels and front window (including the wiper)

### Pretreatment of parts

Depending on the part material and type of paint applied at factory, different pretreatments should be done for the new paint to adhere as well as possible. For all variants though, proper cleaning to remove oil, grease and dust is strongly recommended.

For more information on the materials used in the product, see its datasheet at [www.axis.com](http://www.axis.com)

**Powder coated parts** – Using fine sandpaper, remove the original powder coating down to the base material and clean the parts before painting, or use a primer.

**Anodised and chromated parts** – Use a primer.

**Uncoated stainless steel** – No special pretreatment is needed, but make sure that the surface is clean before painting.

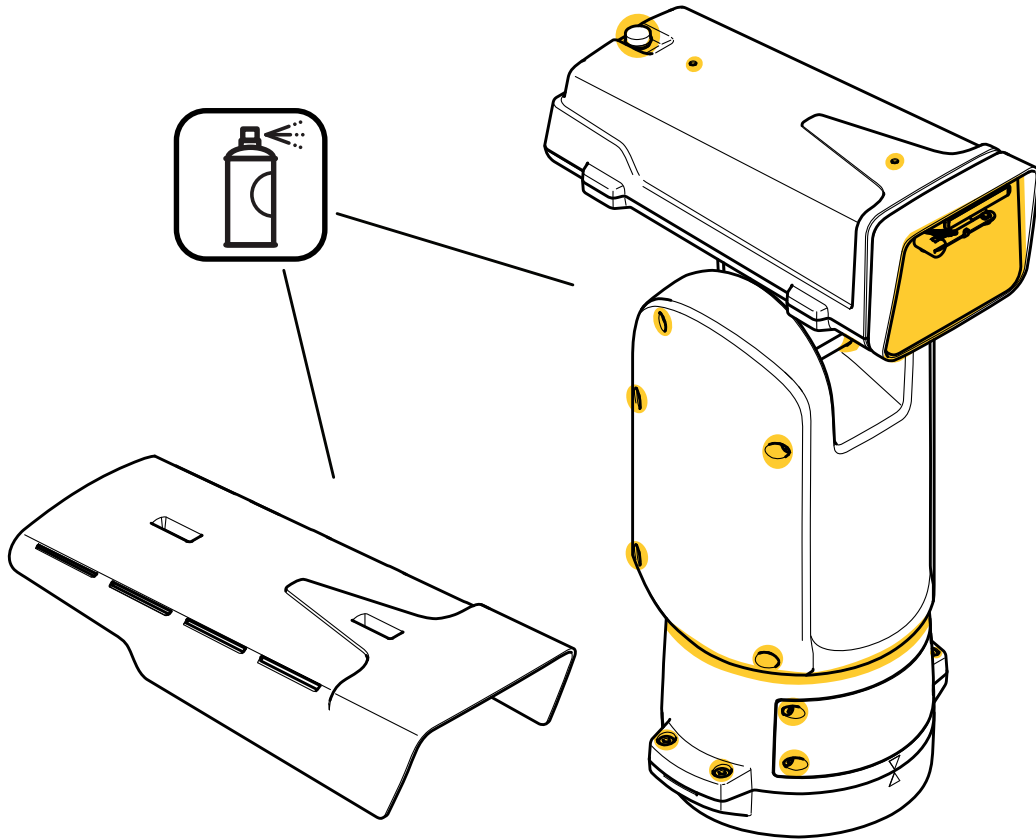
**Plastic** – Use a primer.

## AXIS Q8685 Series

### How to repaint the product

---

#### Repainting



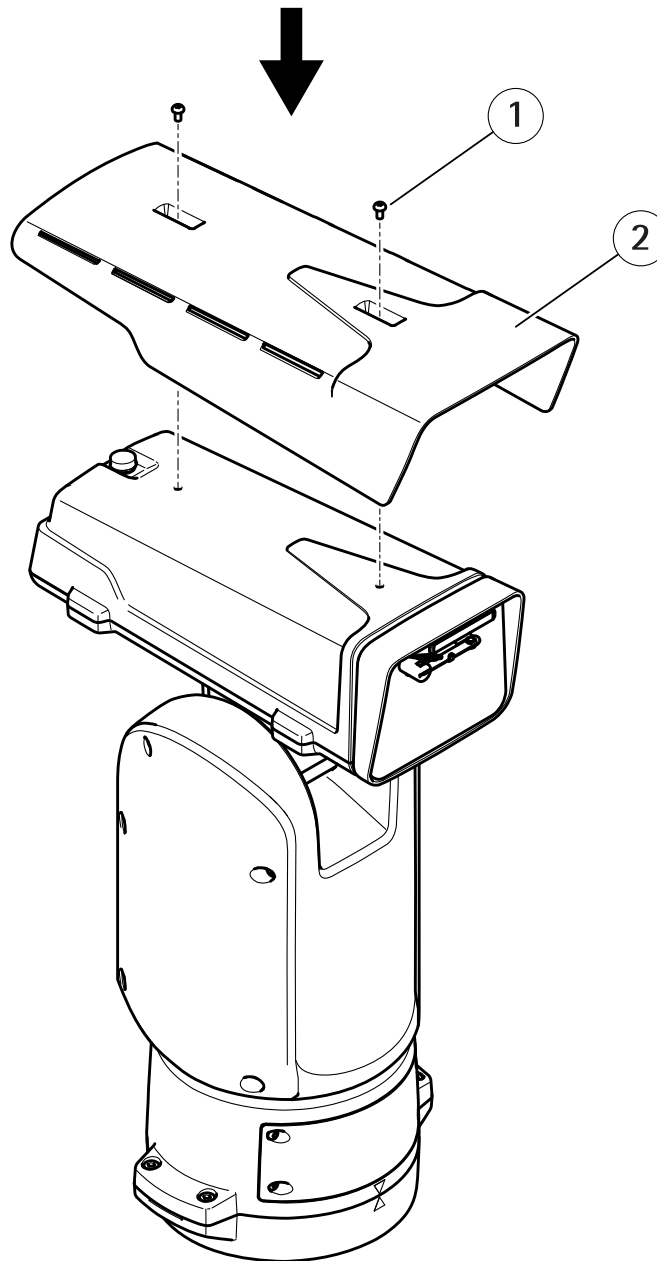
1. Apply a thin and even layer of spray paint according to the instructions of the paint manufacturer, and let the paint dry.
2. If you wish to get a better coverage and clearer color, apply a second layer of spray paint.
3. When the paint is dry, remove the masking.

# AXIS Q8685 Series

## How to repaint the product

---

### Reassembly



- 1 Sunshield screw (2x)
- 2 Sunshield

1. Install the sunshield.
2. Attach and tighten the sunshield screws (torque 1 Nm).

**NOTICE**

For instructions on how to repaint illuminator brackets, see the product's repainting instructions available at [www.axis.com](http://www.axis.com).

Repainting Instructions

AXIS Q8685 Series

© Axis Communications AB, 2017 - 2018

Ver. M1.6

Date: April 2018

Part No. T10111516