

AXIS Q60 Series

AXIS Q6052 PTZ Dome Network Camera

AXIS Q6054 PTZ Dome Network Camera

AXIS Q6055 PTZ Dome Network Camera

Repainting Instructions

AXIS Q60 Series

Impact on warranty

Impact on warranty

Under the condition that the instructions below are pursued, repainting of the products in this document is approved by Axis, and the product warranty is still valid even if the products is subject to disassembly and reassembly as described more fully herein. This exception of Axis' product warranty sets out the limited conditions for the validity of the warranty, and any deviation from the repaint instructions described in this document will void Axis product warranty.

Conditions and instructions:

- All standard precautions should be taken to backup data that is business critical.
- The procedure of repainting will not be supported by Axis technical support.
- The purpose for disassembling and reassembling the product is repaint work only.
- The disassembling and reassembling is carried out in a professional and careful manner and does not intervene with normal operation of the product.

In addition, the product performance may also deteriorate due to the repainting according to the following, non-exhaustive, list:

- Paint adds weight to the product. Speed and acceleration may be affected.
- Darker colors absorb more sunlight. The temperature specification of the product may be limited.
- Increased friction in the joints of the product increases strain and may affect the lifetime expectancy.
- The paint must be compatible and non-damaging to plastics and glass.
- The Axis label with the product part number and serial number must be clear and legible at all times.
- Repainting may only be done to the casing and/or stand of the product. Under no circumstances may bubbles and/or lenses be repainted.
- Repainting may change the tolerances in the mechanics and obstruct the assembly of the product.

THIS EXCEPTION OF AXIS' WARRANTY IMPLIES THAT THE WARRANTY MAY BE APPLICABLE EVEN IF CAMERAS HAVE BEEN DISASSEMBLED AND REASSEMBLED DUE TO REPAINTING. NOTWITHSTANDING ANYTHING TO THE CONTRARY HEREIN, AXIS WARRANTY WILL NOT APPLY IF ANY DEFECT IN DESIGN, WORKMANSHIP OR MATERIALS, IN AXIS' SOLE DISCRETION, IS ATTRIBUTABLE TO THE DISASSEMBLY AND/OR REASSEMBLY OF THE CAMERAS OR THE REPAINTING ITSELF. SAVE THE EXCEPTION STATED HEREIN, AXIS WARRANTY SHALL REMAIN UNCHANGED AND UNAFFECTED IN EVERY OTHER ASPECT. IF AXIS WARRANTY IS APPLICABLE AND ENFORCED, AXIS RESERVES THE RIGHT TO RETURN TO THE END USER ANY REPAIRED OR REPLACEMENT UNITS IN ORIGINAL PAINTED STATE (MANUFACTURER STANDARD).

Detailed information about Axis' warranty is available at www.axis.com/global/en/support/warranty-and-rma/warranty

Risks with repainting

There are several risks when disassembling or assembling an Axis product. There is always a certain yield loss during assembly. Training of operators and the use of correct tools mediates some of the problems but they can never be fully avoided. Some of the risks are listed below:

ESD Damage – Always handle the product in an ESD safe environment. Even if precautions are taken there is always a risk of ESD damage. The damage can remain undetected and cause problems during the lifetime of the equipment.

Dust contamination – Opening a camera may expose the lens and sensor to dust or paint; dust will affect the optical performance. Lenses need to be disassembled in a dust-free environment, preferably a cleanroom.

Paint overspray – Masking of the different components of the equipment is critical. Failure to mask sensitive areas could cause problems with assembling the equipment. Any areas that are not painted from factory or have a different surface treatment than the rest of the part (threads, ground and electrical contact surfaces) must also be masked to ensure function.

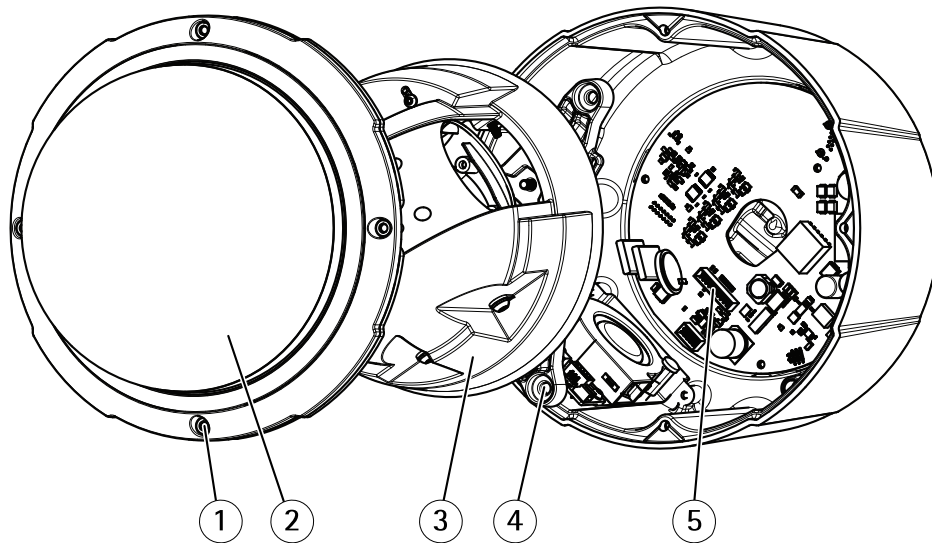
AXIS Q60 Series

How to repaint the product

How to repaint the product

Disassembly

Chassis

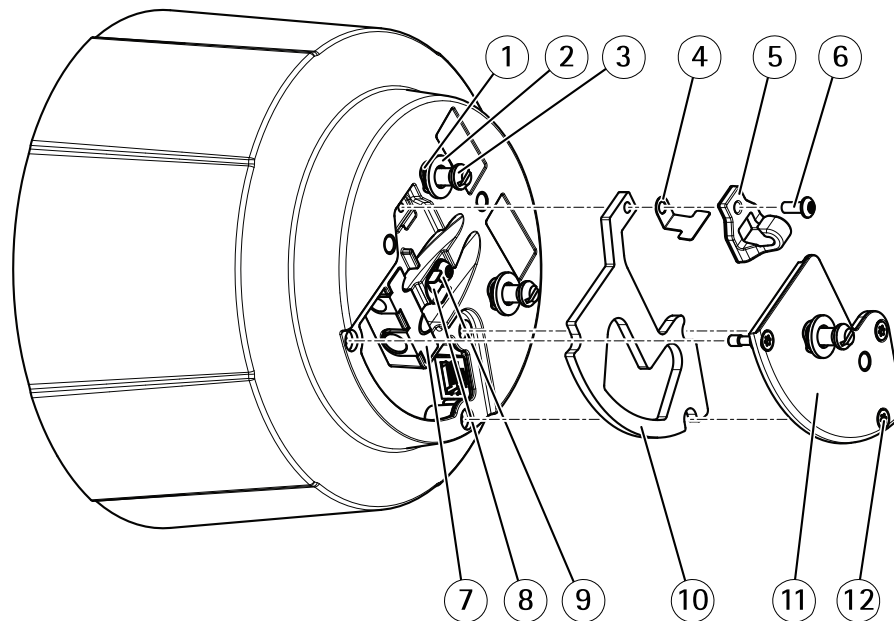


- 1 *Anti loss screw*
- 2 *Dome assembly*
- 3 *Camera assembly*
- 4 *Screw*
- 5 *Power connector*

1. Loosen the four anti loss screws and remove the dome assembly from the camera.
2. Remove the three screws that hold the camera assembly.
3. Lift up the camera assembly and remove the connector from the power circuit board.

AXIS Q60 Series

How to repaint the product



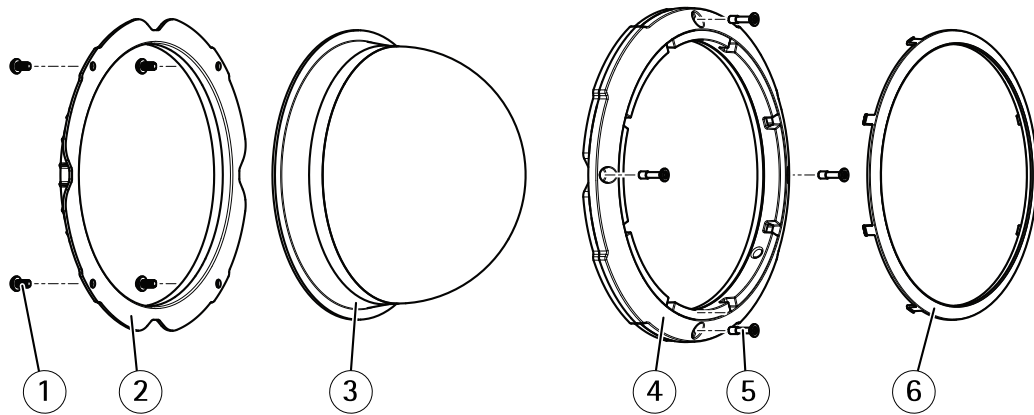
- 1 Wave spring
- 2 Washer
- 3 Bayonet screw
- 4 Spring
- 5 Safety hook
- 6 Screw
- 7 Cable gasket
- 8 Cable holder
- 9 Screw
- 10 Gasket
- 11 Lid assembly
- 12 Anti loss screw

4. Remove the two bayonet screws with washers and wave springs.
5. Remove the screw, the safety hook, and the spring.
6. Remove the screw and the two cable holders.
7. Loosen the three anti loss screws and remove the lid assembly and the gasket.
8. Remove the cable gasket.

AXIS Q60 Series

How to repaint the product

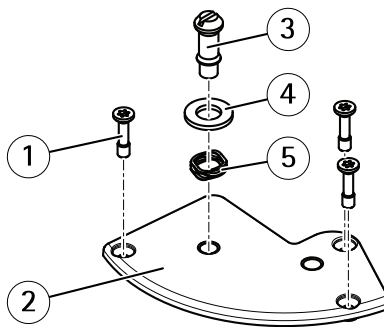
Dome



- 1 Screw
- 2 Dome bracket
- 3 Dome
- 4 Dome ring
- 5 Anti loss screw
- 6 Compass ring

1. Remove the four anti loss screws from the dome ring.
2. Remove the four screws, the dome bracket and the dome.
3. Snap the compass ring of the dome ring.

Lid



- 1 Screw
- 2 Lid
- 3 Bayonet screw
- 4 Washer
- 5 Wave spring

1. Remove the three screws from the lid.
2. Remove the bayonet screw with washer and wave spring.

Preparations

- The equipment must be disassembled according to instructions *How to repaint the product on page 3*.

AXIS Q60 Series

How to repaint the product

- Each part is then stripped from components and crucial parts are masked to ensure successful reassembly.
- All parts to be repainted should be stripped of gaskets, screws, electrical components, connectors and plugs, windows and domes.
- All parts to be repainted must be thoroughly cleaned to remove grease, dust or oil.
- To ensure reassembly and functionality of the product, openings for screws, LED indicators, or microphones must be masked before painting.

Pretreatment of parts

Depending on the part material and type of paint applied from factory, different pretreatments should be done for the new paint to adhere as well as possible. For all variants though, proper cleaning to remove oil, grease and dust is strongly recommended.

For information about which materials are used in the product, see the datasheet available at www.axis.com

Powder coated parts – Using very fine sandpaper (P240), remove the original powder coating down to the stainless steel surface and clean the parts before painting, or use primer.

Anodised and chromated parts – Primer is required.

Uncoated stainless steel – No special pretreatment is needed. Just make sure the surface is clean before painting.

Plastic – Primer is required.

Masking

Chassis

1. Mask all screw holes.
2. Mask the opening that was covered by the lid assembly.
3. Mask the entire opening in the bottom of the chassis. No paint is allowed inside the chassis.

Dome

1. Mask the dome gasket.
2. Mask all screw holes.

Lid

1. Mask all screw holes.
2. Mask the entire gasket and the bottom side of the lid.

Repainting

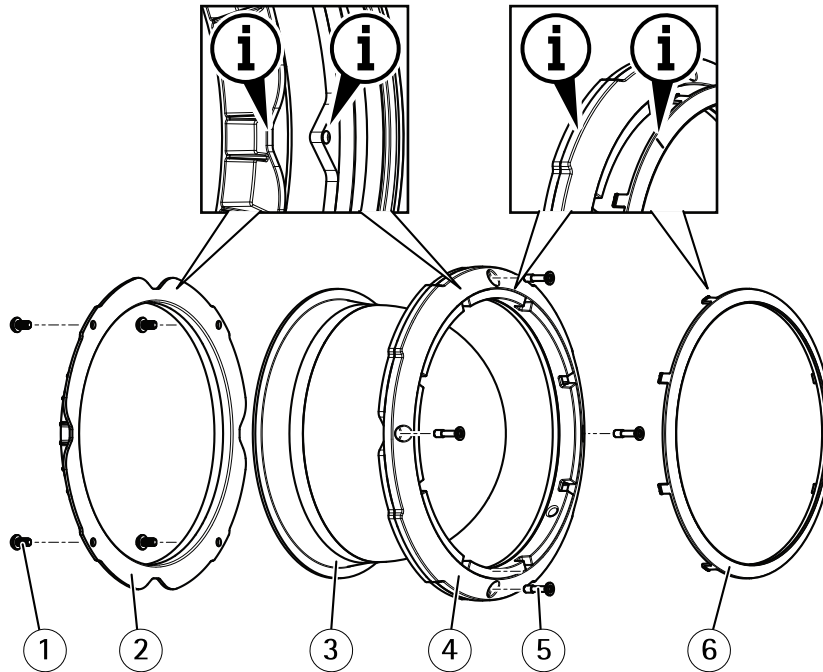
1. Make sure all necessary preparations of the chassis, the dome, and the lid have been made, see *Preparations on page 5*.
2. Apply a thin and even layer of spray paint according to the instructions of the paint manufacturer.
3. Let the paint dry.
4. To get a better coverage and clearer color, apply a second layer of spray paint.
5. When the paint is dry, remove the masking.

AXIS Q60 Series

How to repaint the product

Reassembly

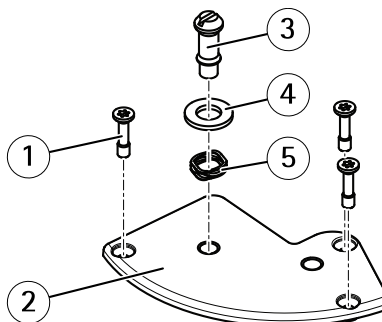
Dome



- 1 Screw
- 2 Dome bracket
- 3 Dome
- 4 Dome ring
- 5 Anti loss screw
- 6 Compass ring

1. Orient the compass ring as shown below and snap it onto the dome ring.
2. Orient the dome bracket as shown below and assemble the dome bracket and the dome with the four screws. Tighten the screws with 0.5 Nm (0.4 lb ft) torque.
3. Fit the four anti loss screws back in the dome ring.

Lid



- 1 Screw

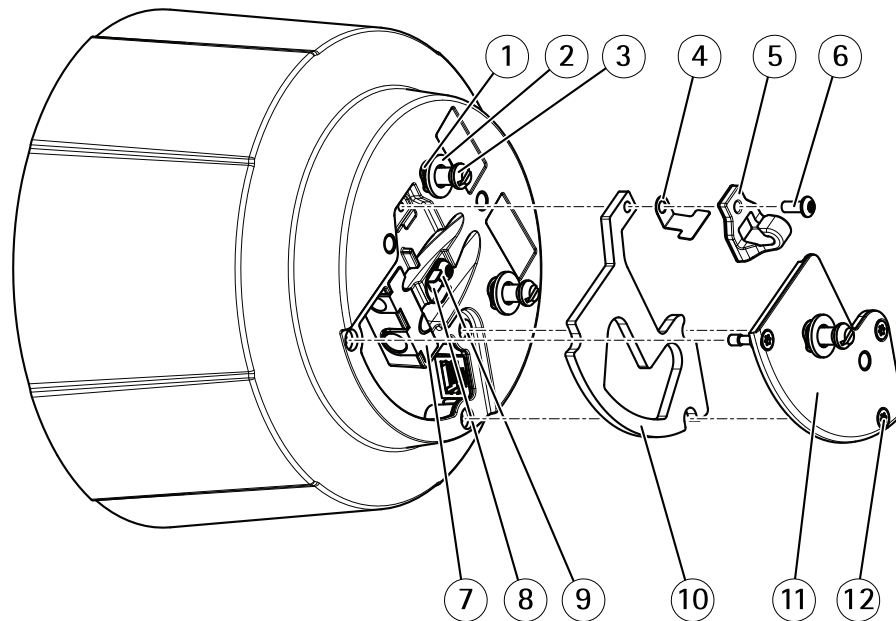
AXIS Q60 Series

How to repaint the product

- 2 *Lid*
- 3 *Bayonet screw*
- 4 *Washer*
- 5 *Wave spring*

1. Assemble the bayonet screw with washer and wave spring. Tighten the screws with 1.8 Nm (1.3 lb ft) torque.
2. Fit the three screws back in the lid assembly.

Chassis

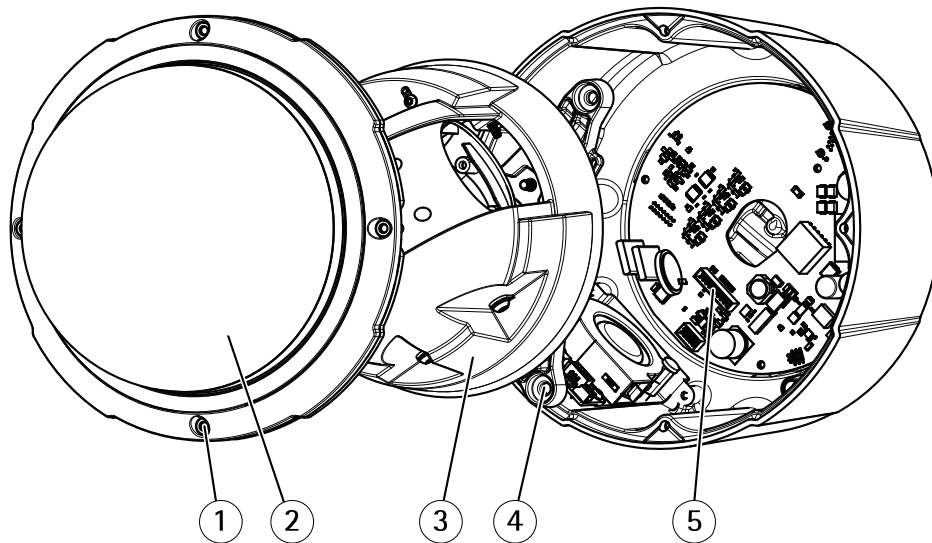


- 1 *Wave spring*
- 2 *Washer*
- 3 *Bayonet screw*
- 4 *Spring*
- 5 *Safety hook*
- 6 *Screw*
- 7 *Cable gasket*
- 8 *Cable holder*
- 9 *Screw*
- 10 *Gasket*
- 11 *Lid assembly*
- 12 *Anti loss screw*

1. Push the cable gasket into the slot.
2. Put back the cable holders and the screw.
3. Put back the gasket and the lid assembly. Tighten the anti loss screws with 0.4 Nm (0.3 lb ft) torque.
4. Put back the spring, the safety hook, and the screw.
5. Screw in the two bayonet screws with washers and wave springs. Tighten the screws with 1.8 Nm (1.3 lb ft) torque.

AXIS Q60 Series

How to repaint the product



- 1 *Anti loss screw*
- 2 *Dome assembly*
- 3 *Camera assembly*
- 4 *Screw*
- 5 *Power connector*

6. Connect the camera assembly to the power circuit board.
7. Put back the camera assembly and the three screws. Tighten the screws with 4 Nm (3 lb ft) torque.
8. Put back the dome assembly. Tighten the anti loss screws with 4 Nm (3 lb ft) torque.

