

## **AXIS Q35 Series**

## **Repainting Instructions**

# AXIS Q35 Series

## Impact on warranty

---

### Impact on warranty

This product is approved for repaint by Axis, provided that you follow the instructions in this document and at [www.axis.com/warranty-implication-when-repainting](http://www.axis.com/warranty-implication-when-repainting)

### Risks with repainting

There are several risks when disassembling or assembling an Axis product. There is always a certain yield loss during assembly. Training of operators and the use of correct tools mediates some of the problems but they can never be fully avoided. Some of the risks include:

**ESD Damage** – Always handle the product in an ESD safe environment. Even if precautions are taken there is always a risk of ESD damage. The damage can remain undetected and cause problems during the lifetime of the equipment.

**Dust contamination** – Opening a camera may expose the lens and sensor to dust or paint. Dust will affect the optical performance. Lenses need to be disassembled in a dust-free environment, preferably a cleanroom.

**Paint overspray** – Masking the different components of the equipment is critical. Failure to mask sensitive areas can cause problems with assembling the equipment. Any areas that are not painted at factory or have a different surface treatment than the rest of the parts (threads, ground and electrical contact surfaces) must also be masked to ensure function.

# AXIS Q35 Series

## How to repaint the product

---

### How to repaint the product

#### Preparations

- If applicable, disassemble the equipment according to the instructions in this document.
- Remove gaskets, screws, electrical components, connectors and plugs, windows, and domes from the parts to be repainted.
- Clean all parts to be repainted thoroughly to remove grease, dust, or oil.
- To ensure reassembly and functionality of the product, mask openings for screws, LED indicators, or microphones before painting.

#### Pretreatment of parts

Depending on the part material and type of paint applied at factory, different pretreatment should be done for the new paint to adhere as well as possible. Clean the parts properly to remove oil, grease and dust.

For more information on the materials used in the product, see its datasheet at [www.axis.com](http://www.axis.com)

**Powder coated parts** – Using fine sandpaper, remove the original powder coating down to the base material and clean the parts before painting, or use a primer.

**Anodised and chromated parts** – Use a primer.

**Uncoated stainless steel** – No special pretreatment is needed, but make sure that the surface is clean before painting.

**Plastic** – Use a primer.

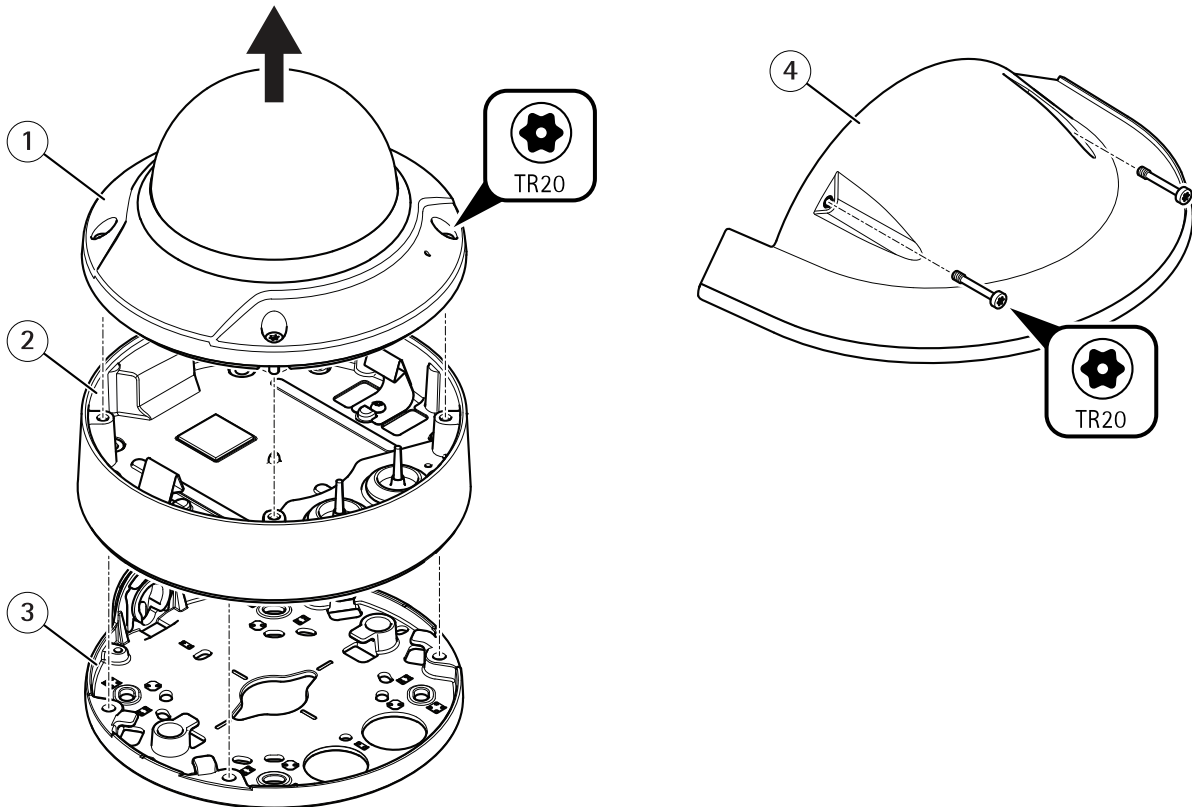
# AXIS Q35 Series

## How to repaint the product

---

### Disassembly

#### Chassis



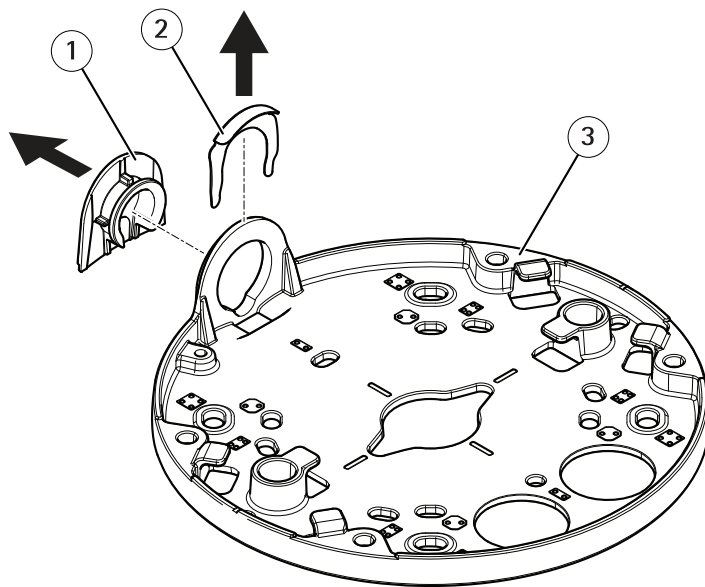
- 1 Dome assembly
- 2 Unit casing
- 3 Mounting bracket
- 4 Weathershield

1. Remove the dome assembly.
2. Remove the unit casing.
3. **Outdoor camera:** Remove the screws from the weathershield.

## AXIS Q35 Series

### How to repaint the product

---



- 1 Side entry lid
- 2 Spring clip
- 3 Mounting bracket

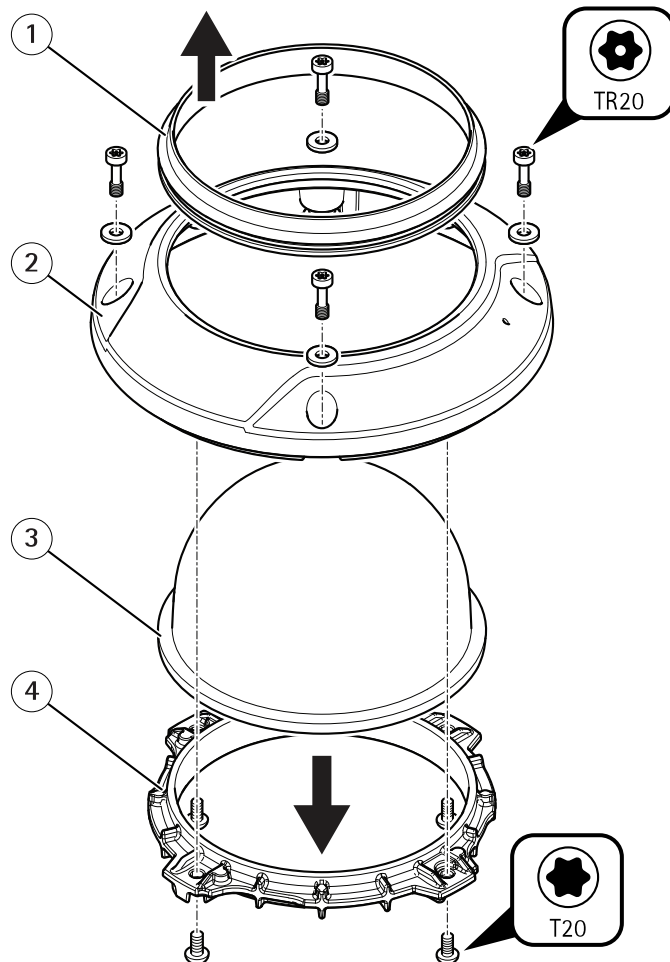
4. Remove the spring clip and the side entry lid from the mounting bracket.

# AXIS Q35 Series

## How to repaint the product

---

### Dome



- 1 Gasket
- 2 Top cover
- 3 Dome
- 4 Dome holder

1. Remove the dome holder, the dome, and the gasket from the top cover.
2. Remove the screws from the top cover.

### Masking

#### Top cover

1. Mask all screw holes.
2. Indoor camera: Mask the microphone hole.
3. Mask the bottom and inside of the top cover.

#### Unit casing

4. Mask the inside of the unit casing.

# AXIS Q35 Series

## How to repaint the product

---

5. Mask the bottom of the unit casing.

### Weathershield

6. Mask all screw holes.
7. Mask the underside of the weathershield.

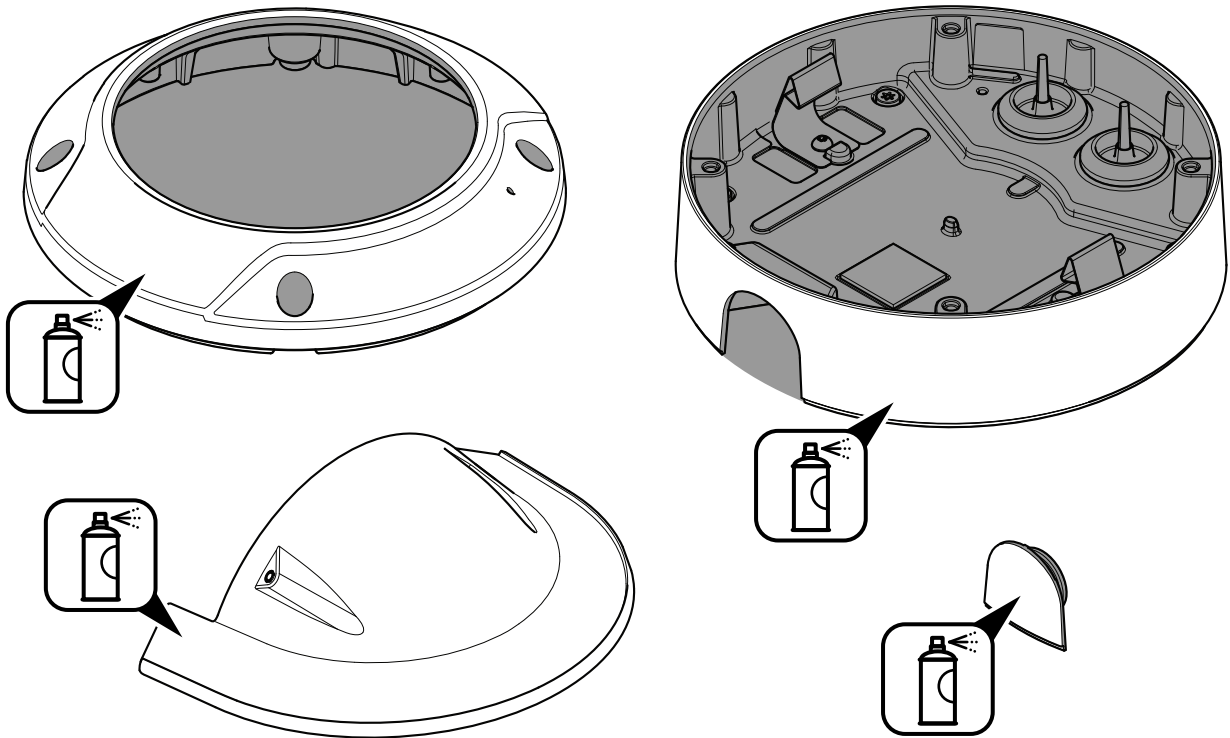
### **NOTICE**

Do not repaint the underside of the weathershield. The underside is coated to absorb IR light.

### Side entry lid

8. Mask the back of the side entry lid.

## Repainting



1. Apply a thin and even layer of spray paint according to the instructions of the paint manufacturer.
2. Let the paint dry.
3. To get a better coverage and stronger color, apply a second layer of spray paint.
4. When the paint is dry, remove the masking.

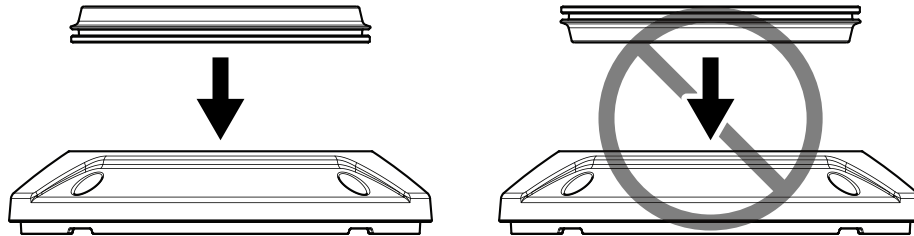
## Reassembly

1. Assemble the screws and washers with the top cover.
2. Insert the gasket in the top cover.

## AXIS Q35 Series

### How to repaint the product

---



3. Push the dome into the top cover.
4. Assemble the dome holder, and cross-tighten the screws with 2.6 N m (1.9 lb ft).



