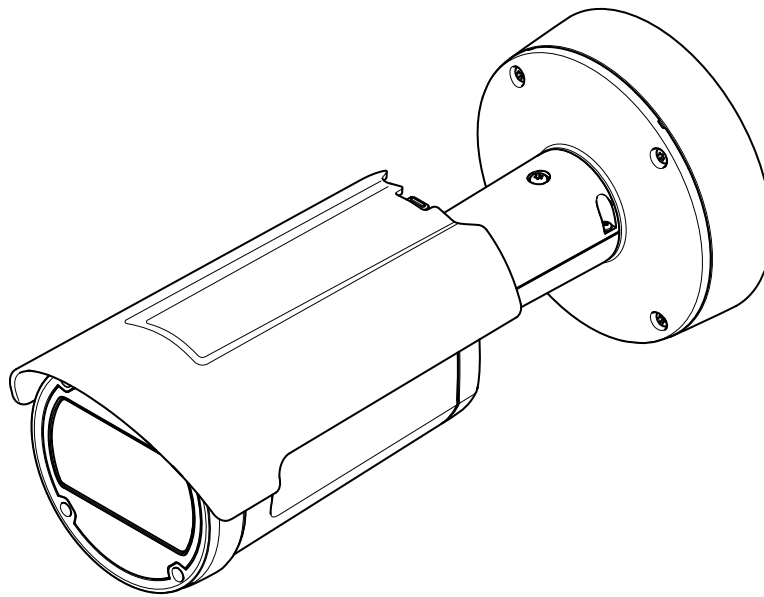


AXIS Q1798-LE



Repainting Instructions

AXIS Q1798-LE

Impact on warranty

Impact on warranty

This product is approved for repaint by Axis, provided that you follow the instructions in this document and at www.axis.com/warranty-implication-when-repainting

Risks with repainting

There are several risks when disassembling or assembling an Axis product. There is always a certain yield loss during assembly. Training of operators and the use of correct tools mediates some of the problems but they can never be fully avoided. Some of the risks include:

ESD Damage – Always handle the product in an ESD safe environment. Even if precautions are taken there is always a risk of ESD damage. The damage can remain undetected and cause problems during the lifetime of the equipment.

Dust contamination – Opening a camera may expose the lens and sensor to dust or paint. Dust will affect the optical performance. Lenses need to be disassembled in a dust-free environment, preferably a cleanroom.

Paint overspray – Masking the different components of the equipment is critical. Failure to mask sensitive areas can cause problems with assembling the equipment. Any areas that are not painted at factory or have a different surface treatment than the rest of the parts (threads, ground and electrical contact surfaces) must also be masked to ensure function.

AXIS Q1798-LE

How to repaint the product

How to repaint the product

Preparations

- If applicable, disassemble the equipment according to the instructions in this document.
- Clean all parts to be repainted thoroughly to remove grease, dust, or oil.
- To ensure reassembly and functionality of the product, mask openings for screws, LED indicators, or microphones before painting.

Pretreatment of parts

Depending on the part material and type of paint applied at factory, different pretreatment should be done for the new paint to adhere as well as possible. Clean the parts properly to remove oil, grease and dust.

For more information on the materials used in the product, see its datasheet at www.axis.com

Powder coated parts – Use a primer. Alternatively, remove the original powder coating down to the base material, using fine sandpaper, and clean the parts before painting.

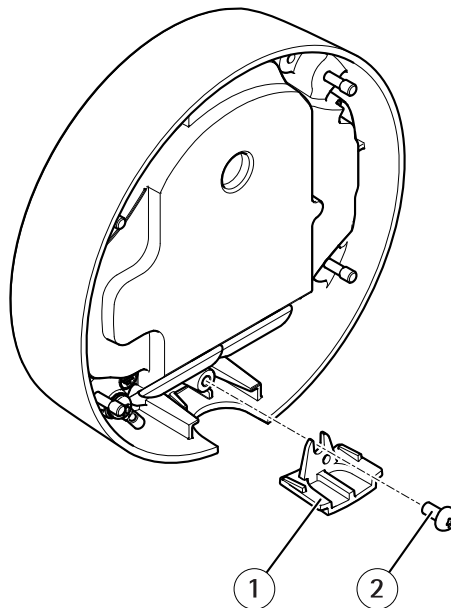
Anodised and chromated parts – Use a primer.

Uncoated stainless steel – No special pretreatment is needed, but make sure that the surface is clean before painting.

Plastic – Use a primer.

Disassembly

Disassembly Q1798-LE

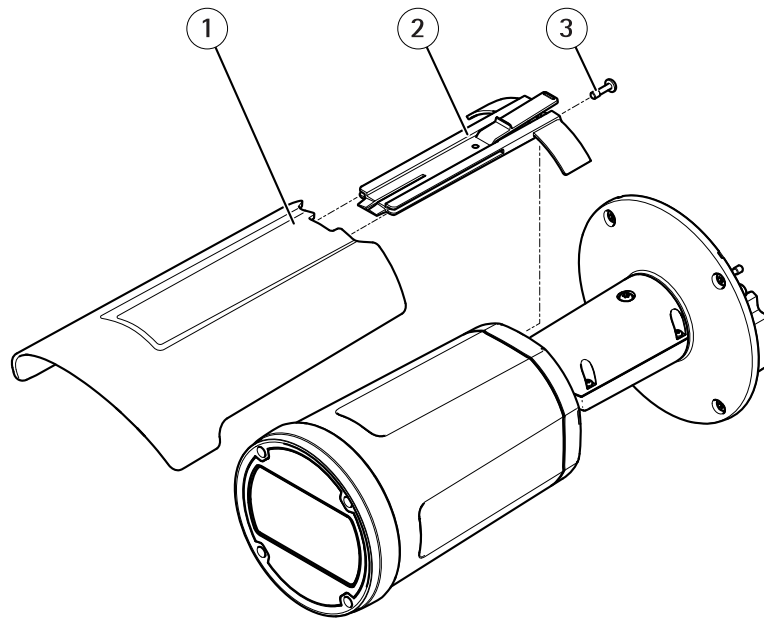


- 1 Lid
- 2 Screw

AXIS Q1798-LE

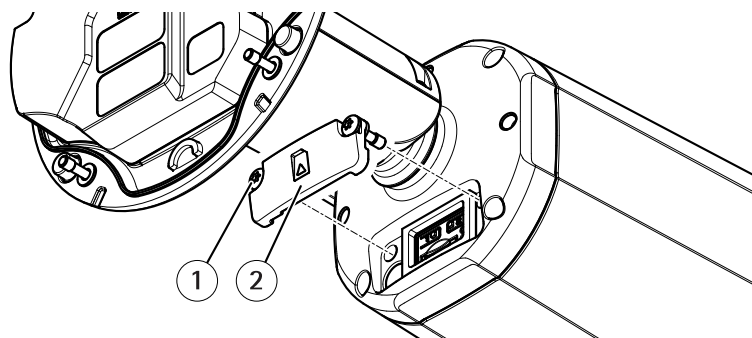
How to repaint the product

1. Remove the screw and the lid from the foot.



- 1 Weather shield
- 2 Holder
- 3 Screw

2. Remove the weathershield.
3. Remove the holder from the weathershield.
4. Remove the screw from the holder.

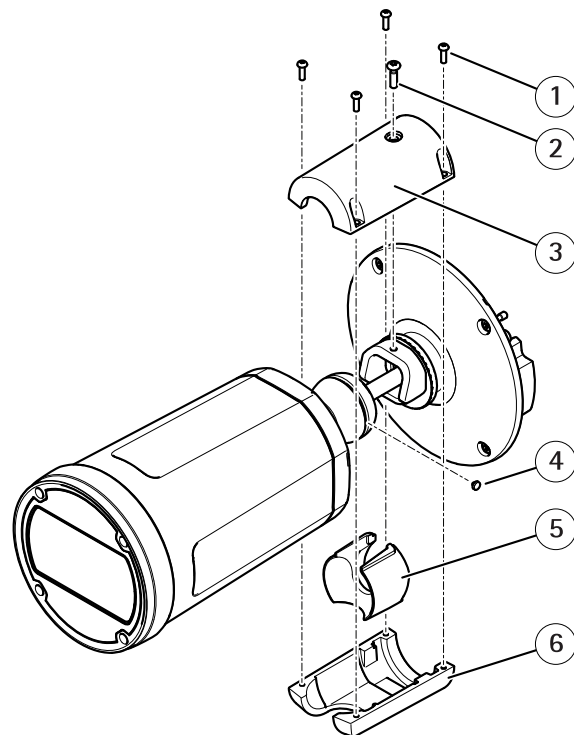


- 1 Screw (x2)
- 2 Cover

5. Remove the screws and the memory card cover.
6. Remove the screws from the memory card cover.

AXIS Q1798-LE

How to repaint the product



- 1 Screw
- 2 Lock screw
- 3 Top cover
- 4 Pin
- 5 Clamp
- 6 Bottom cover

- 7. Remove the four screws, the lock screw and the top cover.
- 8. Remove the pin.
- 9. Remove the bottom cover and the clamp.
- 10. Remove the lock screw from the top cover.

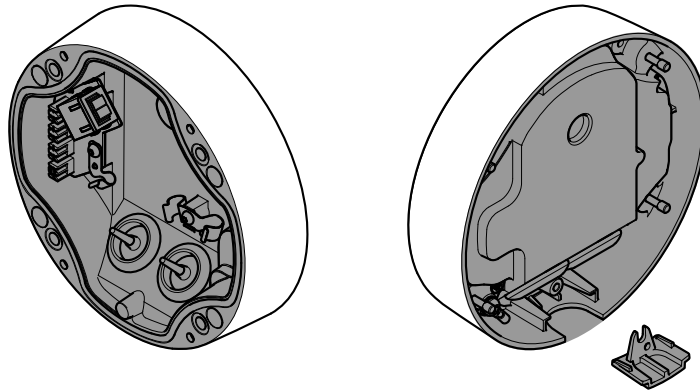
Masking

Masking Q1798-LE

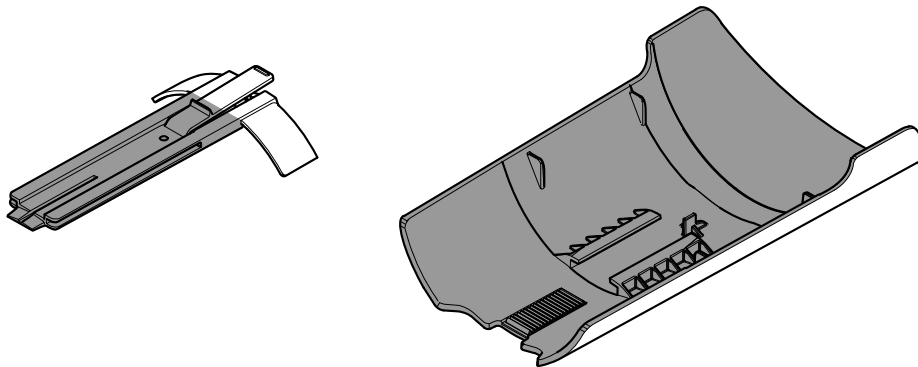
- 1. Mask all screws and screwholes.

AXIS Q1798-LE

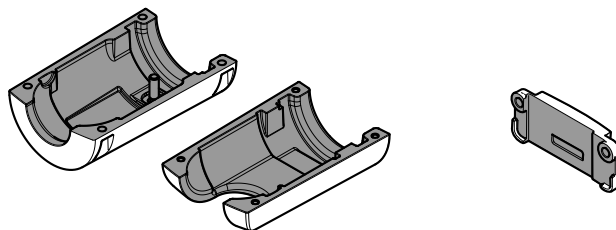
How to repaint the product



2. Mask the entire top of the foot.
3. Mask the entire bottom of the foot.
4. Mask the back of the lid.



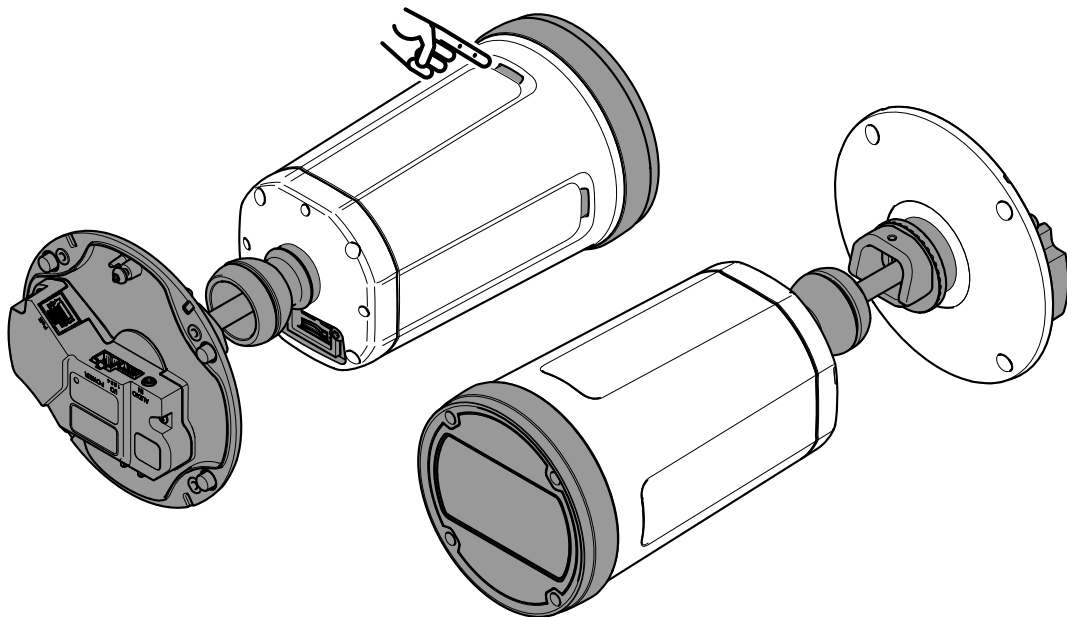
5. Mask the underside of the weathershield.
6. Mask the holder as illustrated above.



7. Mask the inside of the memory card cover.
8. Mask the inside of the arm covers.

AXIS Q1798-LE

How to repaint the product



9. Mask the bottom of the foot.
10. Mask everything between the foot and the ball joint.
11. Mask everything behind the memory card cover.
12. Mask the slots for the weathershield.
13. Mask the front of the camera.

Repainting

Repainting Q1798-LE

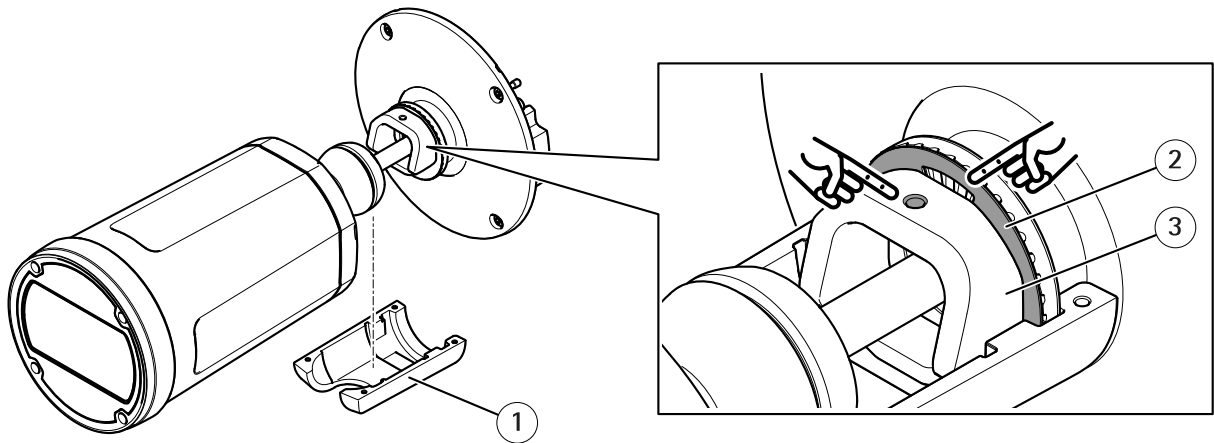
1. Apply a thin and even layer of spray paint according to the instructions of the paint manufacturer.
2. Let the paint dry.
3. To get a better coverage and clearer color, apply a second layer of spray paint.
4. When the paint is dry, remove the masking.

AXIS Q1798-LE

How to repaint the product

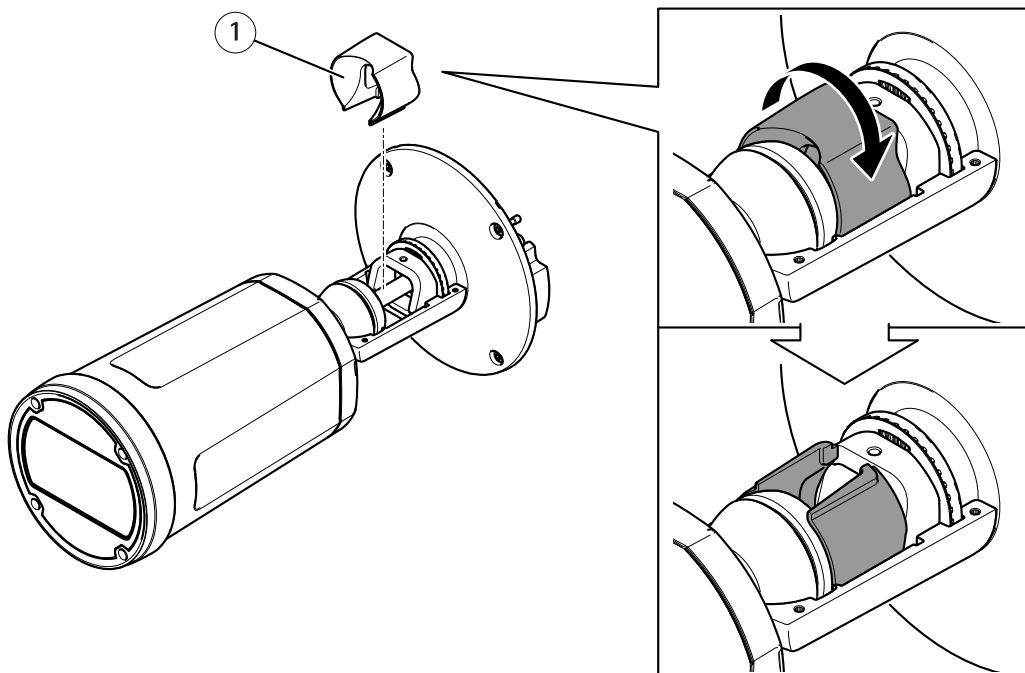
Reassembly

Reassembly Q1798-LE



- 1 Cover
- 2 Washer
- 3 Wedge spacer

1. Place the cover over the ball joint.
2. Align the screw hole in the wedge spacer with the hole in the washer.



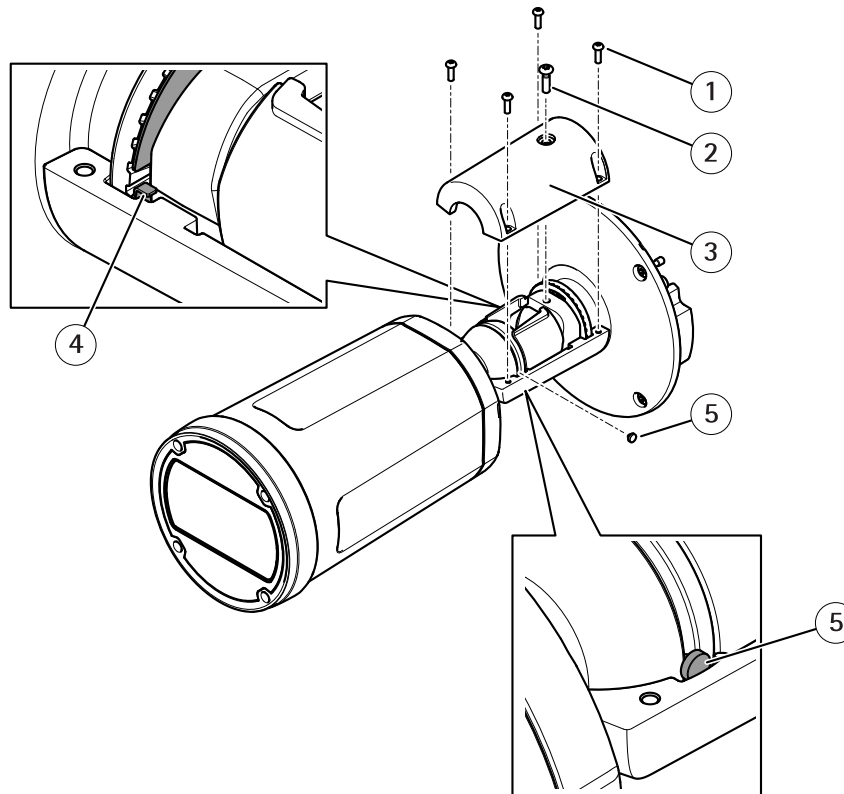
- 1 Clamp

3. Place the clamp over the cable.

AXIS Q1798-LE

How to repaint the product

4. Rotate the clamp 180° so that the opening faces up.

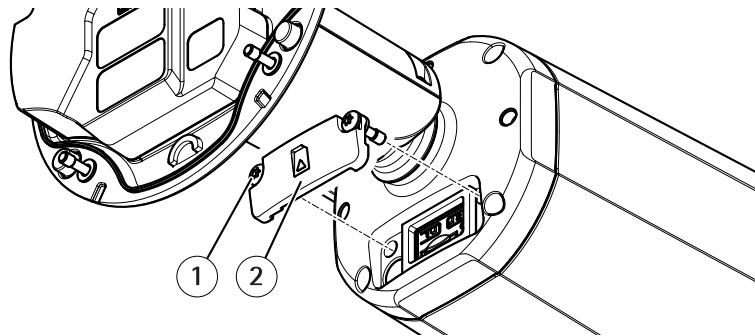


- 1 Screw (x4)
- 2 Screw
- 3 Cover
- 4 Washer
- 5 Pin

5. Make sure that the tab on the washer is in the recess in the cover.
6. Place the pin in the recess in the cover.
7. Attach the cover, the four screws, and the lock screw. Do not tighten the lock screw.
8. Tighten the four screws with 1 N m (0.7 lb ft) tightening torque.

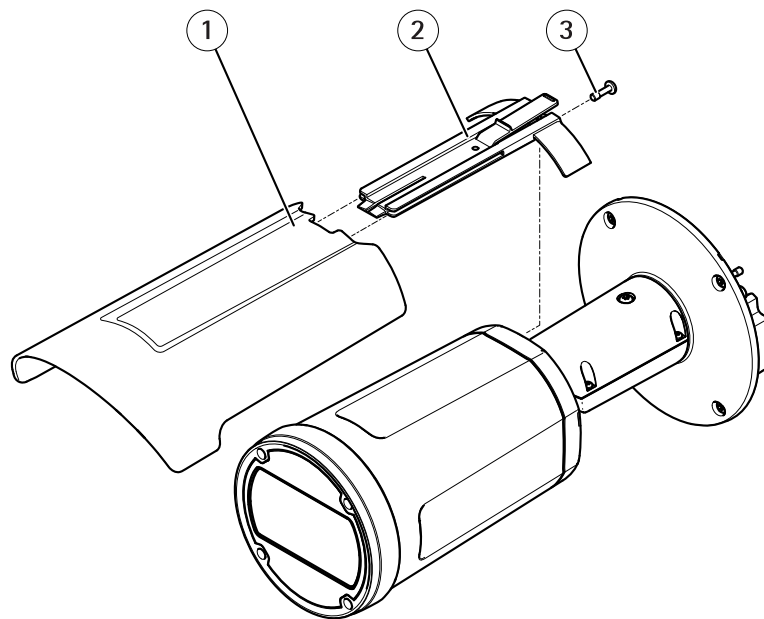
AXIS Q1798-LE

How to repaint the product



- 1 Screw (x2)
- 2 Cover

9. Assemble the memory card cover with 1,5 N m (1.1 lb ft) tightening torque



- 1 Weathershield
- 2 Holder
- 3 Screw

10. Assemble the weathershield with 1,5 N m (1.1 lb ft) tightening torque.

