

**AXIS P9106-V White**

**Repainting Instructions**

# AXIS P9106-V White

## Impact on warranty

---

### Impact on warranty

This product is approved for repaint by Axis, provided that you follow the instructions in this document and at [www.axis.com/warranty-implication-when-repainting](http://www.axis.com/warranty-implication-when-repainting)

### Risks with repainting

There are several risks when disassembling or assembling an Axis product. There is always a certain yield loss during assembly. Training of operators and the use of correct tools mediates some of the problems but they can never be fully avoided. Some of the risks include:

**ESD Damage** – Always handle the product in an ESD safe environment. Even if precautions are taken there is always a risk of ESD damage. The damage can remain undetected and cause problems during the lifetime of the equipment.

**Dust contamination** – Opening a camera may expose the lens and sensor to dust or paint. Dust will affect the optical performance. Lenses need to be disassembled in a dust-free environment, preferably a cleanroom.

**Paint overspray** – Masking the different components of the equipment is critical. Failure to mask sensitive areas can cause problems with assembling the equipment. Any areas that are not painted at factory or have a different surface treatment than the rest of the parts (threads, ground and electrical contact surfaces) must also be masked to ensure function.

# AXIS P9106-V White

## How to repaint the product

---

### How to repaint the product

#### Preparations

- If applicable, disassemble the equipment according to the instructions in this document.
- Remove gaskets, screws, electrical components, connectors and plugs, windows, and domes from the parts to be repainted.
- Clean all parts to be repainted thoroughly to remove grease, dust, or oil.
- To ensure reassembly and functionality of the product, mask openings for screws, LED indicators, or microphones before painting.

#### Pretreatment of parts

Depending on the part material and type of paint applied at factory, different pretreatment should be done for the new paint to adhere as well as possible. Clean the parts properly to remove oil, grease and dust.

For more information on the materials used in the product, see its datasheet at [www.axis.com](http://www.axis.com)

**Powder coated parts** – Using fine sandpaper, remove the original powder coating down to the base material and clean the parts before painting, or use a primer.

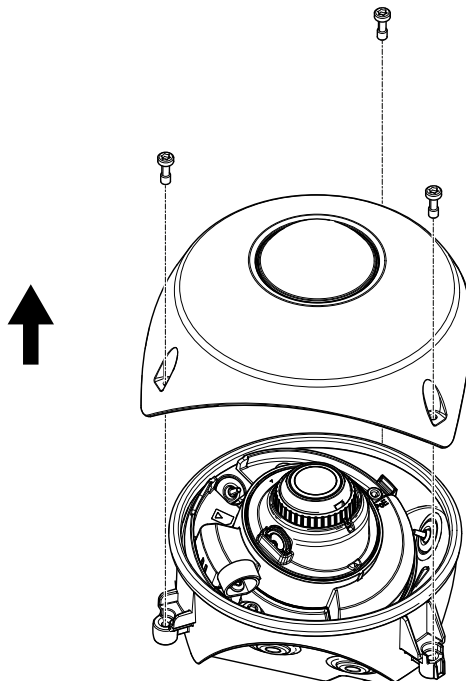
**Anodised and chromated parts** – Use a primer.

**Uncoated stainless steel** – No special pretreatment is needed, but make sure that the surface is clean before painting.

**Plastic** – Use a primer.

#### Disassembly

1. Remove the three (T20) screws that hold the front chassis in place.

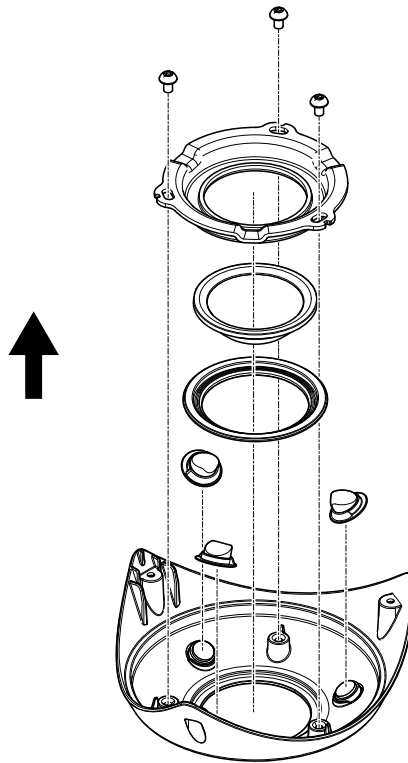


# AXIS P9106-V White

## How to repaint the product

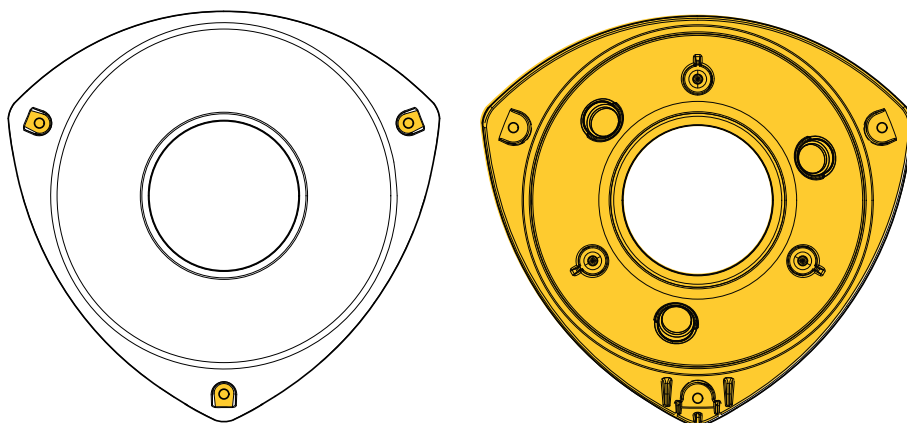
---

2. Remove the three (T20) screws that hold the dome assembly in place.
3. Lift out the dome assembly.
4. Lift out the rubber dome gasket.
5. Making a note of their position, remove the three rubber covers from the magnets on the inside of the front chassis.



### Repainting

1. Make sure all necessary preparations of have been made, see *Preparations on page 3* .
2. Use e.g. masking tape to cover the inside side of the chassis and the screw holes on the front. See the shaded areas below.

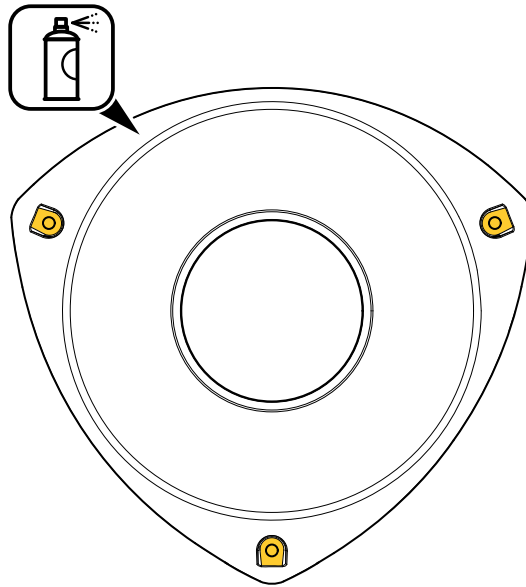


# AXIS P9106-V White

## How to repaint the product

---

3. Apply a thin and even layer of spray paint according to the paint manufacturer's instructions.



4. Let the paint dry.
5. To get better coverage and a clearer color, apply a second layer of spray paint.
6. When the paint is dry, reassemble the product.

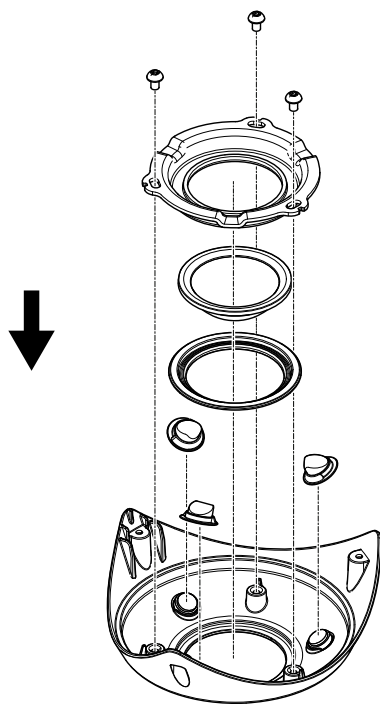
### Reassembly

1. Replace the three rubber covers so that they cover the magnets on the inside of the front chassis, taking care to position them correctly.
2. Replace the rubber dome gasket in the hole in the chassis.
3. Insert the dome assembly.
4. Re-tighten (to 1 N m) the three T20 screws that hold the dome assembly in place.

# AXIS P9106-V White

## How to repaint the product

---



5. Re-tighten (to 2 N m) the three T20 screws that hold the front chassis in place.

