

## **AXIS P32 Network Camera Series**

**AXIS P3245-V**

**AXIS P3245-LV**

**AXIS P3247-LV**

**AXIS P3248-LV**

## **Repainting Instructions**

# AXIS P32 Network Camera Series

## Impact on warranty

---

### Impact on warranty

This product is approved for repaint by Axis, provided that you follow the instructions in this document and at [axis.com/warranty-implication-when-repainting](https://axis.com/warranty-implication-when-repainting).

### Risks with repainting

There are several risks when disassembling or assembling an Axis product. There is always a certain yield loss during assembly. Training of operators and the use of correct tools mediates some of the problems but they can never be fully avoided. Some of the risks include:

**ESD Damage** – Always handle the product in an ESD safe environment. Even if precautions are taken there is always a risk of ESD damage. The damage can remain undetected and cause problems during the lifetime of the equipment.

**Dust contamination** – Opening a camera may expose the lens and sensor to dust or paint. Dust will affect the optical performance. Lenses need to be disassembled in a dust-free environment, preferably a cleanroom.

**Paint overspray** – Masking the different components of the equipment is critical. Failure to mask sensitive areas can cause problems with assembling the equipment. Any areas that are not painted at factory or have a different surface treatment than the rest of the parts (threads, ground and electrical contact surfaces) must also be masked to ensure function.

# AXIS P32 Network Camera Series

## Repaint the product

---

### Repaint the product

#### Preparations

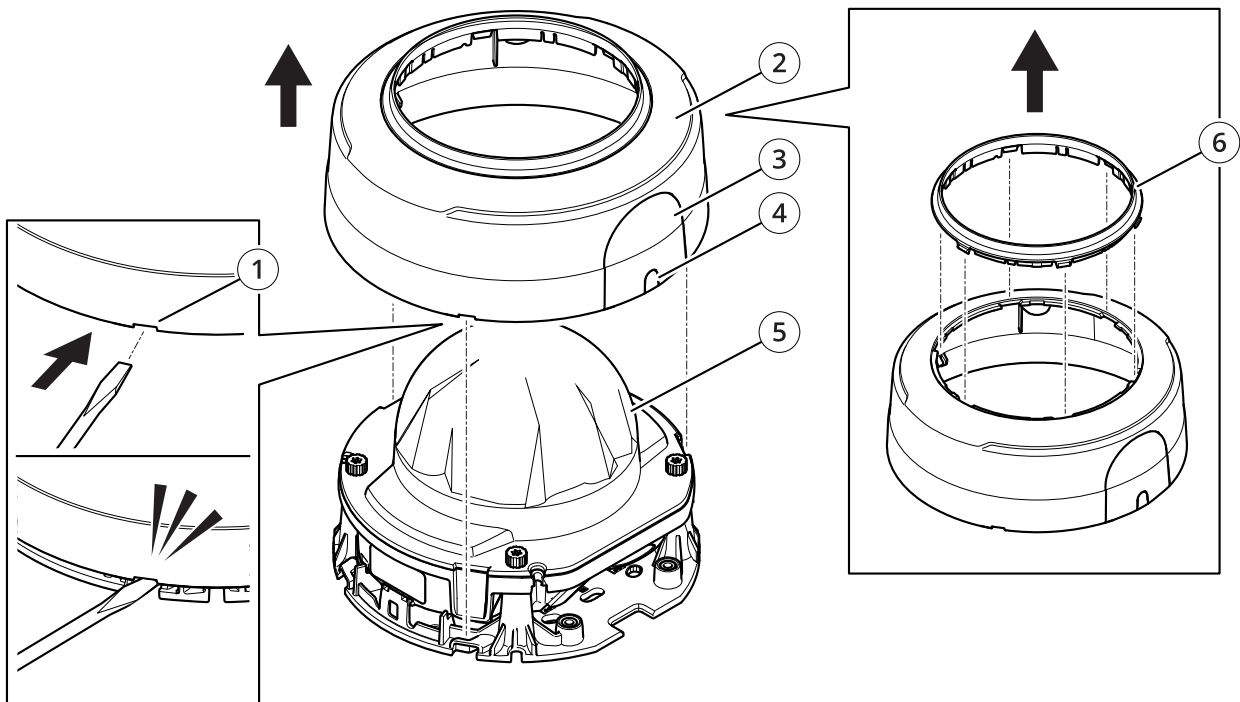
- If applicable, disassemble the device according to the instructions in this document.
- Clean all parts to be repainted thoroughly to remove grease, dust, or oil.
- To ensure reassembly and functionality of the product, mask any openings (for example for screws, LED indicators, or microphones) before you paint.

Use a primer to clean the parts.

The materials used in the product are:

PC+ABS Cyclopedia CX7240

#### Disassembly



- 1 Indentation for removal of dome cover
- 2 Dome cover
- 3 Conduit cover
- 4 Cable cover
- 5 Dome
- 6 Anti-reflection ring (only for P32-LV)

1. Remove the dome cover.
2. Remove the cable cover or conduit cover if you are not going to use it.

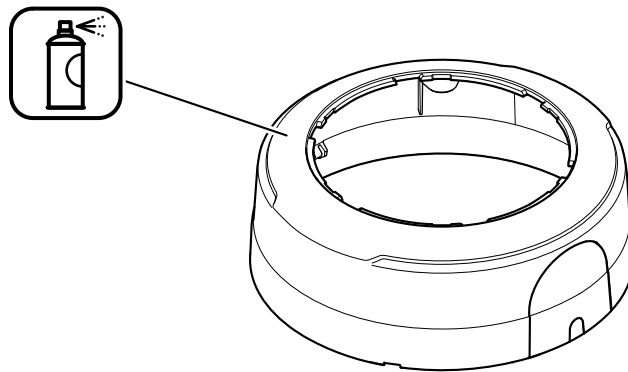
# AXIS P32 Network Camera Series

## Repaint the product

---

3. For P32-LV, remove the anti-reflection ring. Do not paint it.

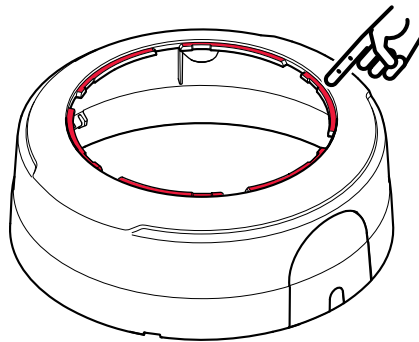
### Repainting



1. Make sure all necessary preparations of the dome cover have been made, see *Preparations on page 3*.
2. Apply a thin and even layer of spray paint according to the instructions of the paint manufacturer.

#### Important

For P32-LV, avoid paint build-up in the area marked with red color.



3. Let the paint dry.
4. To get a better coverage and clearer color, apply a second layer of spray paint.
5. When the paint is dry, remove the masking and reassemble the product.

### Reassembly

1. Reattach the dome cover to the camera.

