

ENGLISH

FRANÇAIS

DEUTSCH

ITALIANO

ESPAÑOL

日本語

**AXIS T93G Series**

**AXIS T93G05 Protective Housing**

**Installation Guide**

## Legal Considerations

Video and audio surveillance can be regulated by laws that vary from country to country. Check the laws in your local region before using this product for surveillance purposes.

## Liability

Every care has been taken in the preparation of this document. Please inform your local Axis office of any inaccuracies or omissions. Axis Communications AB cannot be held responsible for any technical or typographical errors and reserves the right to make changes to the product and manuals without prior notice. Axis Communications AB makes no warranty of any kind with regard to the material contained within this document, including, but not limited to, the implied warranties of merchantability and fitness for a particular purpose. Axis Communications AB shall not be liable nor responsible for incidental or consequential damages in connection with the furnishing, performance or use of this material. This product is only to be used for its intended purpose.

## Intellectual Property Rights

Axis AB has intellectual property rights relating to technology embodied in the product described in this document. In particular, and without limitation, these intellectual property rights may include one or more of the patents listed at [www.axis.com/patent.htm](http://www.axis.com/patent.htm) and one or more additional patents or pending patent applications in the US and other countries.

## Equipment Modifications


This equipment must be installed and used in strict accordance with the instructions given in the user documentation. This equipment contains no user-serviceable components. Unauthorized equipment changes or modifications will invalidate all applicable regulatory certifications and approvals.

## Trademark Acknowledgments

AXIS COMMUNICATIONS, AXIS, ETRAX, ARTPEC and VAPIX are registered trademarks or trademark applications of Axis AB in various jurisdictions. All other company names and products are trademarks or registered trademarks of their respective companies.

## Regulatory Information

Europe

 This product complies with the applicable CE marking directives and harmonized standards:

- Low Voltage (LVD) Directive 2006/95/EC. See *Safety on page 2*.
- Restrictions of Hazardous Substances (RoHS) Directive 2011/65/EU. See *Disposal and Recycling on page 2*.

A copy of the original declaration of conformity may be obtained from Axis Communications AB. See *Contact Information on page 2*.

## Safety

This product complies with IEC/EN/UL 60950-1 and IEC/EN/UL 60950-22, Safety of Information Technology Equipment. The product shall be grounded either through a shielded network cable (STP) or other appropriate method.

## Disposal and Recycling

When this product has reached the end of its useful life, dispose of it according to local laws and regulations. For information about your nearest designated collection point, contact your local authority responsible for waste disposal. In accordance with local legislation, penalties may be applicable for incorrect disposal of this waste.

Europe



This symbol means that the product shall not be disposed of together with household or commercial waste. Directive 2012/19/EU on waste electrical and electronic equipment (WEEE) is applicable in the European Union member states. To prevent potential harm to human health and the environment, the product must be disposed of in an approved and environmentally safe recycling process. For information about your nearest designated collection point, contact your local authority responsible for waste disposal. Businesses should contact the product supplier for information about how to dispose of this product correctly.

This product complies with the requirements of Directive 2011/65/EU on the restriction of the use of certain hazardous substances in electrical and electronic equipment (RoHS).

China



This product complies with the requirements of the legislative act Administration on the Control of Pollution Caused by Electronic Information Products (ACPEIP).

## Contact Information

Axis Communications AB  
Emdalavägen 14  
223 69 Lund  
Sweden

Tel: +46 46 272 18 00

Fax: +46 46 13 61 30

[www.axis.com](http://www.axis.com)

## Support

Should you require any technical assistance, please contact your Axis reseller. If your questions cannot be answered immediately, your reseller will forward your queries through the appropriate channels to ensure a rapid response. If you are connected to the Internet, you can:

- download user documentation and software updates
- find answers to resolved problems in the FAQ database. Search by product, category, or phrase
- report problems to Axis support staff by logging in to your private support area
- chat with Axis support staff
- visit Axis Support at [www.axis.com/techsup/](http://www.axis.com/techsup/)

## Learn More!

Visit Axis learning center [www.axis.com/academy/](http://www.axis.com/academy/) for useful trainings, webinars, tutorials and guides.

## Safety Information

Read through this Installation Guide carefully before installing the product. Keep the Installation Guide for future reference.

### Hazard Levels

**▲DANGER**

Indicates a hazardous situation which, if not avoided, will result in death or serious injury.

**▲WARNING**

Indicates a hazardous situation which, if not avoided, could result in death or serious injury.

**▲CAUTION**

Indicates a hazardous situation which, if not avoided, could result in minor or moderate injury.

**NOTICE**

Indicates a situation which, if not avoided, could result in damage to property.

### Other Message Levels

Important

Indicates significant information which is essential for the product to function correctly.

Note

Indicates useful information which helps in getting the most out of the product.

# AXIS T93G Series

---

## Safety Instructions

### **NOTICE**

- The Axis product shall be used in compliance with local laws and regulations.
- Store the Axis product in a dry and ventilated environment.
- Avoid exposing the Axis product to shocks or heavy pressure.
- Do not install the product on unstable brackets, surfaces or walls.
- Use only applicable tools when installing the Axis product. Using excessive force with power tools could cause damage to the product.
- Do not use chemicals, caustic agents, or aerosol cleaners.
- Use a clean cloth dampened with pure water for cleaning.
- Use only accessories that comply with technical specification of the product. These can be provided by Axis or a third party.
- Use only spare parts provided by or recommended by Axis.
- Do not attempt to repair the product by yourself. Contact Axis support or your Axis reseller for service matters.

## Transportation

### **NOTICE**

- When transporting the Axis product, use the original packaging or equivalent to prevent damage to the product.

## Installation Guide

This Installation Guide provides instructions for installing AXIS T93G05 Protective Housing.

To install the camera on the network, please see the Installation Guide provided with the camera. For other details about the camera, see the User Manual available at [www.axis.com](http://www.axis.com)

## Installation Steps

1. Make sure the package contents, tools and other materials necessary for the installation are in order. See *page 5*.
2. Study the hardware overview. See *page 6*.
3. Study the specifications. See *page 7*.
4. Install the hardware. See *page 9*.

## Package Contents

- AXIS T93G05 Protective Housing
- AXIS Gasket C M20 (x1)
- Desiccant bag
- Torx screwdriver T20
- AXIS Connector Guard A (x1)
- AXIS T94Q01A Wall Mount
  - Screw bit T30
- Printed materials
  - Installation Guide (this document)
  - Installation Guide for AXIS T94Q01A Wall Mount

## Recommended Tools

- Drill – for installing the wall mount
- Screw driver for screw bit

## Optional Accessories

- AXIS Door Switch A
- AXIS T94R01P Conduit Back Box
- Illuminators
- Housing Mounts

# AXIS T93G Series

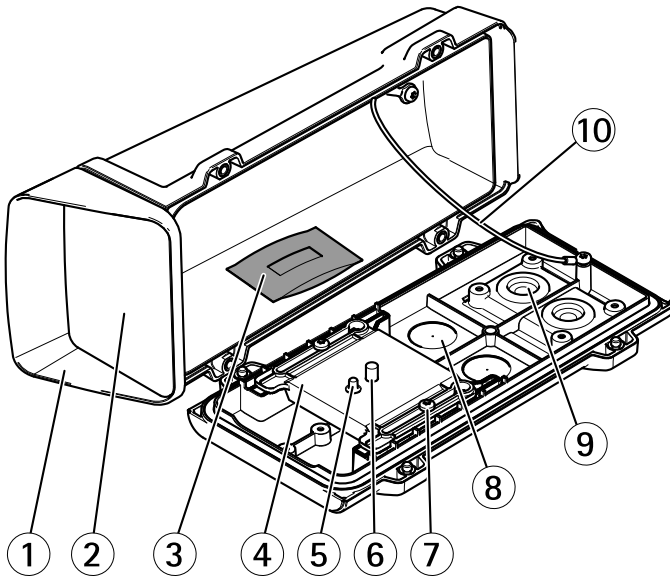
---

- Cable gaskets and cable glands
- AXIS T98A16-VE Surveillance Cabinet
- AXIS T91A47 Pole Mounts
- VT Ceiling Bracket Int cable WCM4A
- VT Corner Mount WCWA

For information about available accessories, see [www.axis.com](http://www.axis.com)

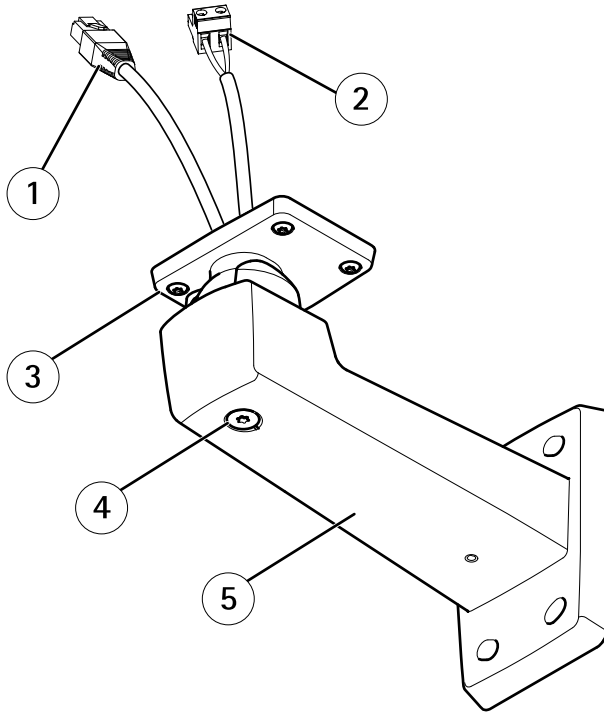
## Hardware Overview

### Housing



- 1 Top cover
- 2 Front window
- 3 Dessicant bag
- 4 Camera holder
- 5 Pin
- 6 Camera screw T20
- 7 Holder screw T20 (2x)
- 8 Drill-outs for extra cable holes
- 9 Cable gasket M20 (2x)
- 10 Safety wire

## Wall Mount



- 1 Network cable (route through wall bracket)
- 2 Power cable (route through wall bracket) (for products equipped with power connector)
- 3 Screw T20 (4x)
- 4 Bracket adjustment screw T30
- 5 Wall mount

## Specifications

### Operating Conditions

The Axis product is intended for indoor and outdoor use.

# AXIS T93G Series

Classification	
AXIS T93G05	IEC 60721-4-4 Class 4M4 IEC 60529 IP66 NEMA 250 Type 4X

## Note

AXIS T93G05 Protective Housing does not have a heater. Therefore, the operating temperature limits are determined by the operating temperatures of the enclosed camera.

Operating Temperature	
AXIS T93G05	-20 °C to 50 °C (-4 °F to 122 °F)

Humidity	
AXIS T93G05	10–100% RH (condensing)

## Storage Conditions

Temperature	
AXIS T93G05	-20 °C to 50 °C (-4 °F to 122 °F)

## Cable Area

### NOTICE

- Use cables that keep within the specified cable area.
- Select cables in compliance with your local regulations.
- Make sure all cable holes are properly sealed.
- Use cable gaskets or cable glands that match both the cable hole and the cable area.

Diameter	AWG
From 5 to 15 mm (0.197 to 0.591 in)	Approximately from 4 to 6/0

To create extra cable holes, open the drill-outs located in the bottom of the housing. See *Hardware Overview on page 6*.

For information about accessories, such as cable gaskets and cable glands that allow for other cable areas, see [www.axis.com](http://www.axis.com)



## Install the Hardware

### NOTICE

Be careful not to scratch, damage or leave fingerprints on the window because this could decrease image quality.

The Axis product can be installed with the cables routed through or along the wall.

Read all the instructions before installing the product:

1. Install the wall mount. See *page 9*. For detailed instructions, see the wall mount's Installation Guide, supplied in the package or available on [www.axis.com](http://www.axis.com)
2. Install the camera in the housing. See *page 9*.
3. Attach the housing to the wall mount. See *page 12*.

## Install the Wall Mount

### CAUTION

Make sure that the screws and plugs are appropriate for the material (e.g. wood, metal, drywall, stone) and that the material is strong enough to support the combined weight of the camera, housing, and wall mount.

### Note

- See also the wall mount's Installation Guide supplied in the package and available on [www.axis.com](http://www.axis.com)
  - For technical specifications about the connectors, see the camera's User Manual available on [www.axis.com](http://www.axis.com)
1. Prepare the wall for installation of the wall mount. Use the wall bracket as a template and mark the holes before drilling the holes.
  2. Route the network cable and, if required, the power cable through the wall bracket. Leave approximately 30 cm (11.8 in) of cable for connecting the camera.
  3. If connecting an auxiliary device, for example an I/O, audio, or external power device, to the camera, repeat the step above as applicable to the specific device.
  4. Fasten the wall bracket to the wall by tightening the screws.

## Install the Camera in the Housing

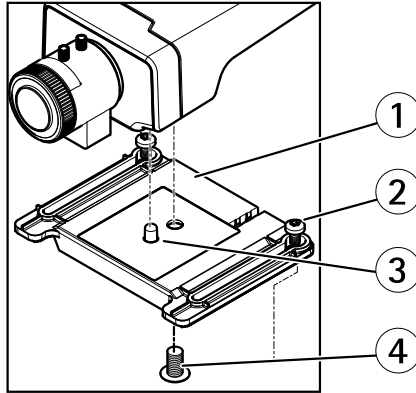
1. If connecting external/input devices to the camera, connect them according to the instructions in the camera's Installation Guide before attaching the camera to the holder.
2. If using a microSD card for local storage, insert the card into the camera's SD card slot.
3. Loosen the holder screws and remove the holder from the housing.

# AXIS T93G Series

## Important

Make sure the camera is attached in the correct direction on the holder, see the illustration below.

4. Attach the camera to the holder. Align the pin and camera screw with the pin hole and screw mount on the camera and tighten the camera screw (torque 1 Nm). Be careful not to overtighten the screw.

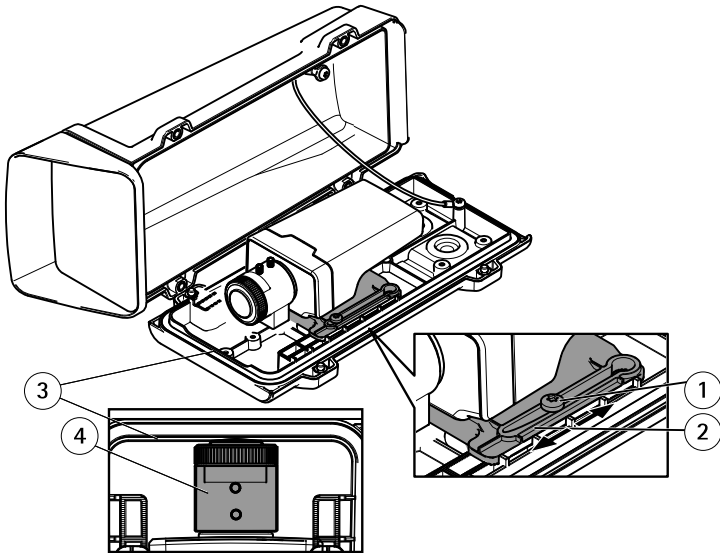


- 1 Holder
- 2 Holder screw T20 (2x)
- 3 Pin
- 4 Camera screw T20

5. Adjust the position of the holder carefully and then tighten the holder screws (torque 0.5 Nm).

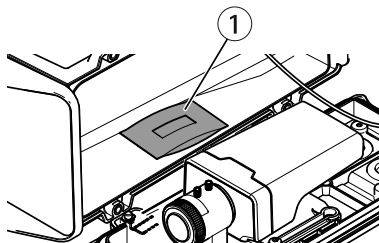
## NOTICE

To fulfill the IK10 rating requirements, adjust the holder's position so that the camera lens (4) is aligned with the housing edge (3), see the illustration.



- 1 Holder screw T20 (2x)
- 2 Holder
- 3 Housing edge
- 4 Camera lens

6. Remove the plastic wrapper from the desiccant bag and put the desiccant bag on the inside wall of the housing.

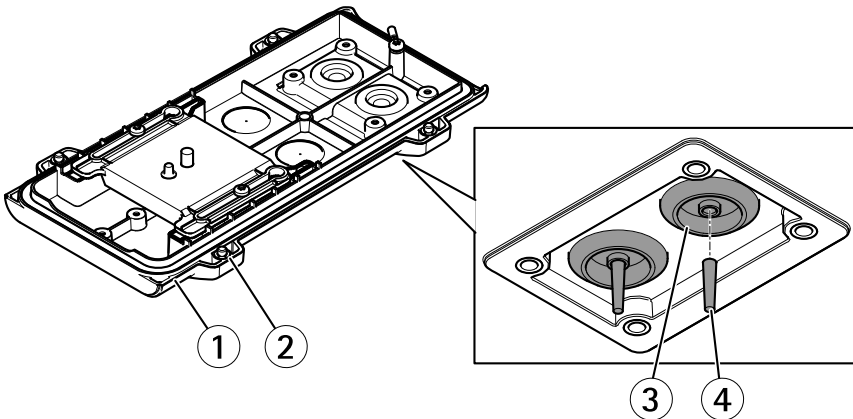


- 1 Desiccant bag

## Install the Housing to the Wall Mount

### NOTICE

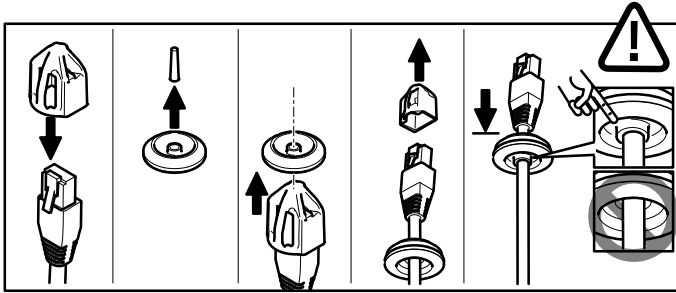
- Use cables that keep within the specified cable area, see *page 8*. Using any other than the provided cable gasket could cause water to seep in and damage the product. For information about cable gaskets and cable glands that allow for other cable areas, see [www.axis.com](http://www.axis.com)
  - If more than one cable is used, each cable must be routed through a separate cable gasket.
  - Only open a hole in cable gaskets that will be used and if a cable gasket is torn, replace it with a new cable gasket. Leaving a cable gasket open or using a torn cable gasket could cause water to seep in and damage the product.
1. Loosen the bottom cover screws and lift the top cover.
  2. Select which cable gasket to use and pull the tab to open a hole for the network cable.



- 1 Bottom cover
- 2 Bottom cover screw T20 (4x)
- 3 Cable gasket M20 (2x)
- 4 Tab

### NOTICE

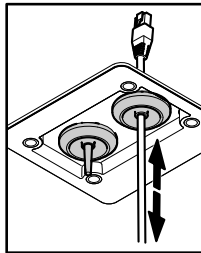
If the network cable has a pre-mounted network connector, remove the cable gasket and use the supplied connector guard to prevent tearing of the cable gasket. Avoid using network cables with capped network connectors because they could cause tearing of the cable gasket despite using the connector guard.



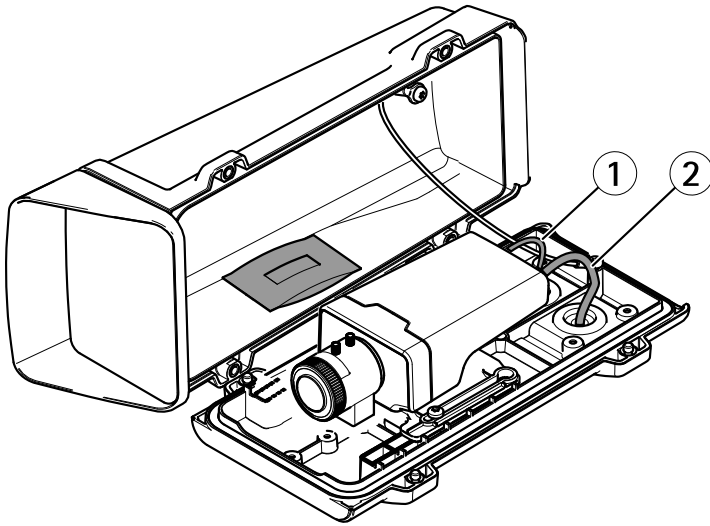
3. Push the network cable through the cable gasket.
4. Pull the network cable back slightly so that the cable gasket adjusts itself on the cable.

**NOTICE**

Not pulling the cable back could cause water to seep in and damage the product.

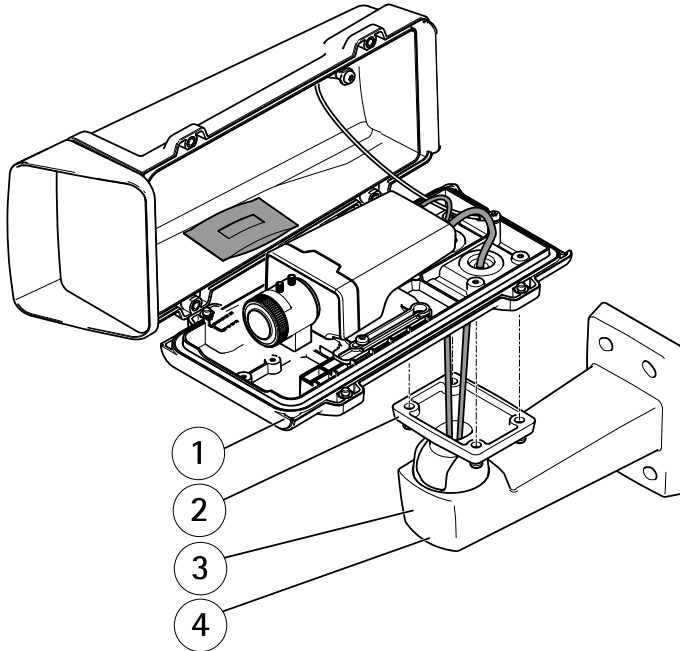


5. Make sure that the cable gasket is fitted properly.
6. Connect the network cable to the network connector.
7. If connecting a power cable or an I/O device to the camera, repeat the steps above as applicable to the specific device.



- 1 *Power cable (optional)*
- 2 *Network cable*

8. Put the bottom cover on the wall mount and tighten the screws (torque 2 Nm).
9. Make sure that the camera LEDs indicate the correct conditions.  
See the camera's Installation Guide.
10. Loosen the bracket adjustment screw to aim the camera to the point of interest.



- 1 Bottom cover
- 2 Screw T20 (4x)
- 3 Wall mount
- 4 Bracket adjustment screw T30

11. For information about how to view the video stream, see the camera's Installation Guide or [www.axis.com/techsup](http://www.axis.com/techsup)

**NOTICE**

Make sure not to pinch any cables when closing the housing.

12. Close the housing. Make sure to alternately tighten the bottom cover screws a few turns at a time until they are tight (torque 1.5 Nm). This will help ensure that the bottom cover gasket is compressed evenly.

## Further Information

Visit Axis learning center [www.axis.com/academy](http://www.axis.com/academy) for useful trainings, webinars, tutorials and guides.

### Warranty Information

For information about Axis' product warranty and thereto related information, see [www.axis.com/warranty/](http://www.axis.com/warranty/)



## Informations sur la sécurité

Lisez attentivement ce guide d'installation avant d'installer l'appareil. Conservez le guide d'installation pour toute référence ultérieure.

### Niveaux de risques

**▲ DANGER**

Indique une situation dangereuse qui, si elle n'est pas évitée, entraînera le décès ou des blessures graves.

**▲ AVERTISSEMENT**

Indique une situation dangereuse qui, si elle n'est pas évitée, pourrait entraîner le décès ou des blessures graves.

**▲ ATTENTION**

Indique une situation dangereuse qui, si elle n'est pas évitée, pourrait entraîner des blessures légères ou modérées.

**AVIS**

Indique une situation qui, si elle n'est pas évitée, pourrait endommager l'appareil.

### Autres niveaux de message

**Important**

Indique les informations importantes, nécessaires pour assurer le bon fonctionnement de l'appareil.

**Note**

Indique les informations utiles qui permettront d'obtenir le fonctionnement optimal de l'appareil.

## Consignes de sécurité

### **AVIS**

- Le produit Axis doit être utilisé conformément aux lois et réglementations locales en vigueur.
- Conserver ce produit Axis dans un environnement sec et ventilé.
- Ne pas exposer ce produit Axis aux chocs ou aux fortes pressions.
- Ne pas installer ce produit sur des supports, surfaces ou murs instables.
- Utiliser uniquement des outils recommandés pour l'installation de l'appareil Axis. L'application d'une force excessive sur l'appareil avec des outils puissants pourrait l'endommager.
- Ne pas utiliser de produits chimiques, de substances caustiques ou de nettoyeurs pressurisés.
- Utiliser un chiffon propre imbibé d'eau pure pour le nettoyage.
- Utiliser uniquement des accessoires conformes aux caractéristiques techniques du produit. Ils peuvent être fournis par Axis ou un tiers.
- Utiliser uniquement les pièces de rechange fournies ou recommandées par Axis.
- Ne pas essayer de réparer ce produit par vous-même. Contacter l'assistance technique d'Axis ou votre revendeur Axis pour des problèmes liés à l'entretien.

## Transport

### **AVIS**

- Lors du transport du produit Axis, utilisez l'emballage d'origine ou un équivalent pour éviter d'endommager le produit.

## Guide d'installation

Ce Guide d'installation fournit des instructions pour l'installation du boîtier de protection AXIS T93G05.

Pour installer la caméra sur le réseau, consultez le guide d'installation fourni avec la caméra. Pour obtenir de plus amples détails relatifs à la caméra, consultez le manuel de l'utilisateur, disponible sur le site [www.axis.com](http://www.axis.com)

## Procédures d'installation

1. Assurez-vous que le contenu de l'emballage, les outils et autres matériels nécessaires à l'installation sont bien disponibles. Cf. *page 19*.
2. Consultez la description du matériel. Cf. *page 20*.
3. Étudiez les caractéristiques. Cf. *page 21*.
4. Installez le matériel. Cf. *page 23*.

## Contenu de l'emballage

- Boîtier de protection AXIS T93G05
- Joint AXIS C M20 (x1)
- Sachet dessiccateur
- Tournevis Torx T20
- Protection du connecteur AXIS A (x1)
- Montage mural AXIS T94Q01A
  - Embout pour vis T30
- Documents imprimés
  - Guide d'installation (ce document)
  - Guide d'installation pour fixation murale AXIS T94Q01A

## Outils recommandés

- Perceuse – pour installer la fixation murale
- Tournevis pour embout pour vis

## Accessoires en option

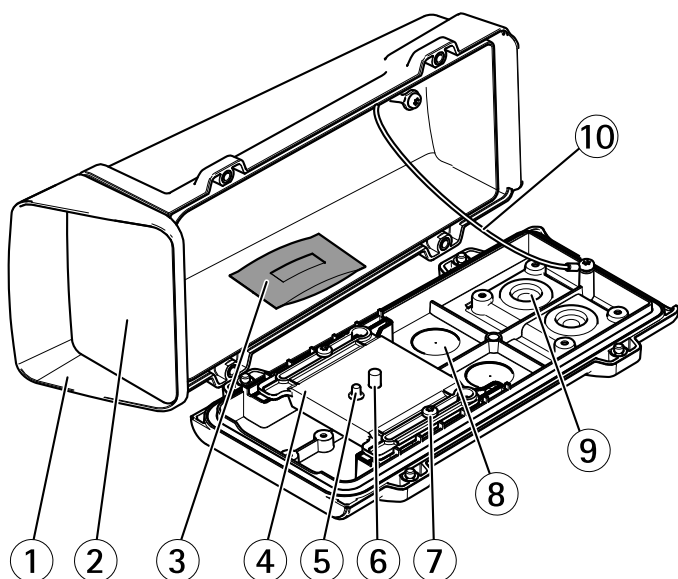
- Interrupteur de porte AXIS A
- Boîtier arrière destiné au conduit de l'AXIS T94R01P

- Illuminateurs
- Fixations pour boîtier
- Joints de câble et presse-étoupes
- Coffret de surveillance AXIS T98A16-VE
- Fixations pour poteau AXIS T91A47
- Câble intérieur pour fixation au plafond VT WCM4A
- Fixation angulaire VT WCWA

Pour plus d'informations sur les accessoires disponibles, consultez le site [www.axis.com](http://www.axis.com)

### Aperçu du matériel

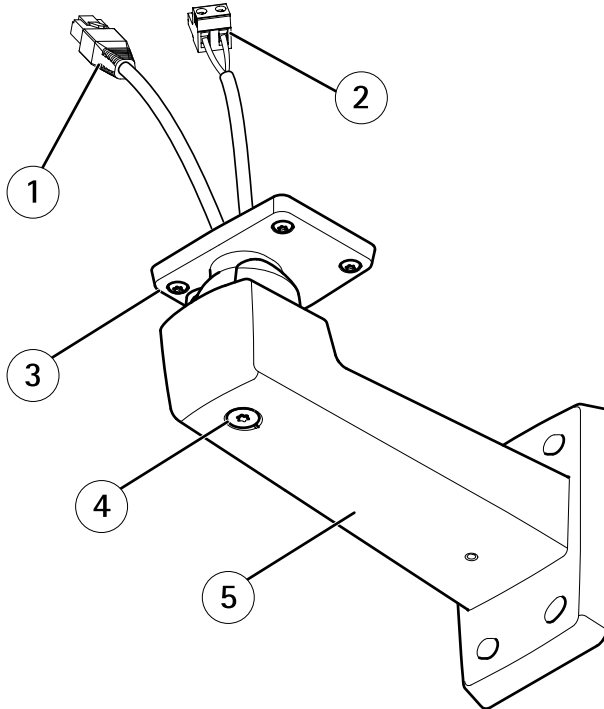
#### Boîtier



- 1 *Couvercle supérieur*
- 2 *Fenêtre avant*
- 3 *Sachet dessiccatif*
- 4 *Support de caméra*
- 5 *Broche*
- 6 *Vis de la caméra T20*
- 7 *Vis du support T20 (x2)*
- 8 *Perforations pour autres trous de câbles*

- 9 Joint de câble M20 (x2)
- 10 Câble de sécurité

## Fixation murale



- 1 Câble réseau (acheminé à travers le support mural)
- 2 Câble d'alimentation (acheminé à travers le support mural) (pour les produits équipés d'un connecteur d'alimentation)
- 3 Vis T20 (x4)
- 4 Vis de réglage du support T30
- 5 Fixation murale

## Caractéristiques techniques

### Conditions d'utilisation

Le produit Axis est destiné à un usage en intérieur et en extérieur.

## AXIS T93G Series

Classification	
AXIS T93G05	IEC 60721-4-4 Classe 4M4 IEC 60529 IP66 NEMA 250 Type 4X

### Note

Le boîtier de protection AXIS T93G05 ne dispose pas d'un régulateur de chauffage. Par conséquent, les limites de la température de fonctionnement sont déterminées par les températures de fonctionnement de la caméra encastrée.

Température de fonctionnement	
AXIS T93G05	De -20 °C à 50 °C (-4 °F à 122 °F)

Humidité	
AXIS T93G05	Humidité relative 10 - 100 % (condensation)

## Conditions de stockage

Température	
AXIS T93G05	De -20 °C à 50 °C (-4 °F à 122 °F)

## Zone de câble

### AVIS

- Utilisez des câbles adaptés à la zone spécifiée.
- Sélectionnez des câbles conformes à la législation locale.
- Assurez-vous que les trous de câbles sont correctement scellés.
- Utilisez des joints de câble et des presse-étoupes adaptés aux trous de câbles et à la zone de câble.

Diamètre	AWG
De 5 à 15 mm (0,197 à 0,591 po)	Environ de 4 à 6/0

Pour créer d'autres trous de câbles, ouvrez les perforations situées dans la partie inférieure du boîtier. Cf. *Aperçu du matériel* page 20.

Pour plus d'informations sur les accessoires, tels que les joints de câble et les presse-étoupes adaptés à d'autres zones de câble, consultez [www.axis.com](http://www.axis.com)

## Installation du matériel

### AVIS

Veillez à ne pas rayer, endommager ou laisser d'empreintes sur la fenêtre, car cela pourrait altérer la qualité d'image.

Le produit Axis peut être installé avec des câbles acheminés à travers ou le long du mur.

Lisez toutes les instructions avant l'installation de l'appareil :

1. Installez la fixation murale. Cf. *page 23*. Pour obtenir des instructions détaillées, reportez-vous au guide d'installation de la fixation murale disponible dans la boîte ou sur le site [www.axis.com](http://www.axis.com).
2. Installation de la caméra dans le boîtier. Cf. *page 24*.
3. Placez le boîtier sur la fixation murale. Cf. *page 26*.

## Installation de la fixation murale

### ⚠ ATTENTION

Assurez-vous que les vis et les fiches sont adaptées au matériau (bois, métal, cloison sèche, pierre, etc.) et que le matériau est suffisamment résistant pour supporter le poids combiné de la caméra, du boîtier et du support mural.

### Note

- Reportez-vous également au guide d'installation de la fixation murale disponible dans la boîte et sur le site [www.axis.com](http://www.axis.com).
  - Pour plus de caractéristiques techniques concernant les connecteurs, reportez-vous au manuel d'utilisation de la caméra, disponible sur [www.axis.com](http://www.axis.com)
1. Préparez le mur pour l'installation du support mural. Utilisez le support mural comme gabarit et marquez les emplacements des trous avant de les percer.
  2. Acheminez le câble réseau et, le cas échéant, le câble d'alimentation en le faisant passer au travers du support mural. Laissez environ 30 cm (11,8") de câble pour la connexion de la caméra.
  3. Si vous connectez un périphérique auxiliaire (par exemple, un périphérique d'entrée/sortie, audio ou d'alimentation externe) à la caméra, répétez l'étape ci-dessus pour chaque périphérique.
  4. Serrez les vis du support mural pour le fixer.

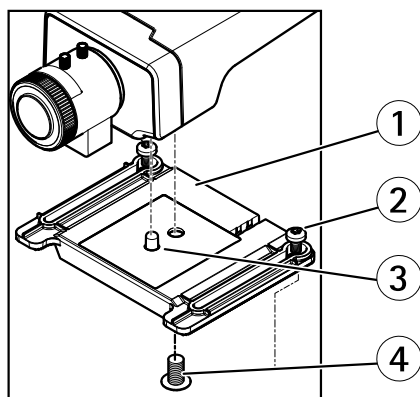
## Installation de la caméra dans le boîtier

1. Si vous connectez des périphériques externes/d'entrée à la caméra, connectez-les conformément aux instructions fournies dans le guide d'installation de la caméra avant de fixer la caméra au support.
2. Si vous utilisez une carte microSD comme espace de stockage local, insérez la carte dans le logement prévu à cet effet sur la caméra.
3. Desserrez les vis du support et retirez le support du boîtier.

### Important

Assurez-vous que la caméra est fixée dans la bonne direction sur le support, comme illustré ci-dessous.

4. Fixez la caméra au support. Alignez la broche et la vis de la caméra avec le trou de la broche et la fixation de la vis sur la caméra, puis serrez la vis de la caméra (couple 1 Nm). Veillez à ne pas trop la serrer.



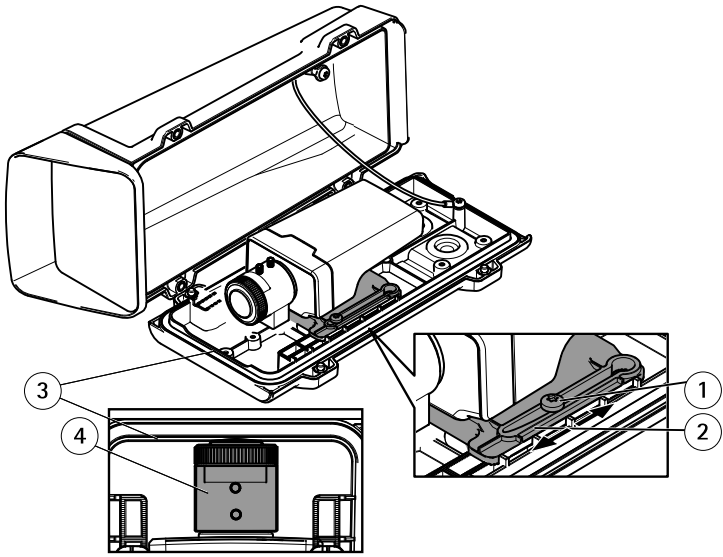
- 1 Support
- 2 Vis du support T20 (x2)
- 3 Broche
- 4 Vis de la caméra T20

5. Ajustez précisément la position du support, puis serrez les vis de ce dernier (couple 0,5 Nm).

### AVIS

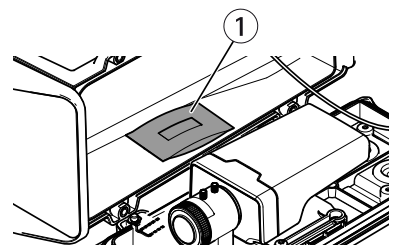
Pour répondre aux exigences de la certification IK10, ajustez la position du support de sorte que l'objectif de la caméra (4) soit aligné sur le bord du boîtier (3), comme illustré ci-contre.





- 1 Vis du support T20 (x2)
- 2 Support
- 3 Bord du boîtier
- 4 Objectif de la caméra

6. Retirez l'emballage plastique du sachet dessiccant et placez le sachet dessiccant sur la paroi intérieure du boîtier.



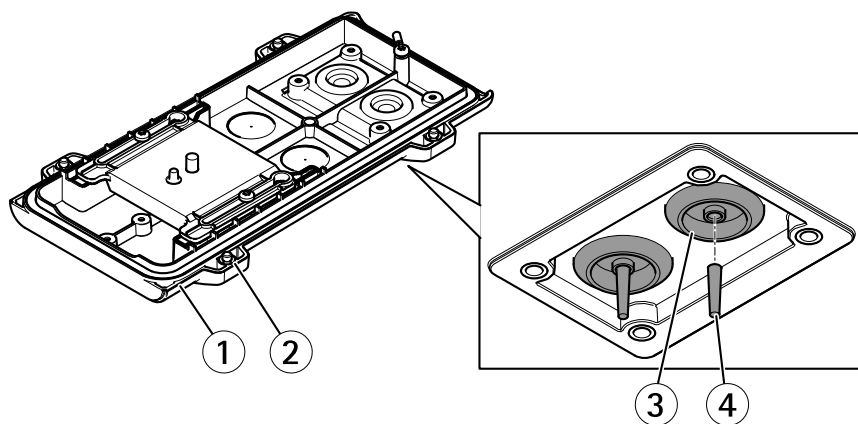
- 1 Sachet dessiccantif

### Installation du boîtier sur la fixation murale

#### AVIS

- Utilisez des câbles adaptés à la zone spécifiée. Reportez-vous à la section *page 22*. L'utilisation d'un joint de câble autre que celui fourni risque d'entraîner une infiltration d'eau et d'endommager le produit. Pour plus d'informations sur les joints de câble et les presse-étoupes adaptés à d'autres zones de câble, consultez [www.axis.com](http://www.axis.com)
- Si vous utilisez plus d'un câble, chaque câble doit être acheminé au travers d'un joint de câble distinct.
- Ouvrez uniquement un trou dans les joints de câble qui seront utilisés. Si un joint de câble est endommagé, remplacez-le par un nouveau. L'utilisation d'un joint de câble ouvert ou endommagé risque d'entraîner une infiltration d'eau et d'endommager le produit.

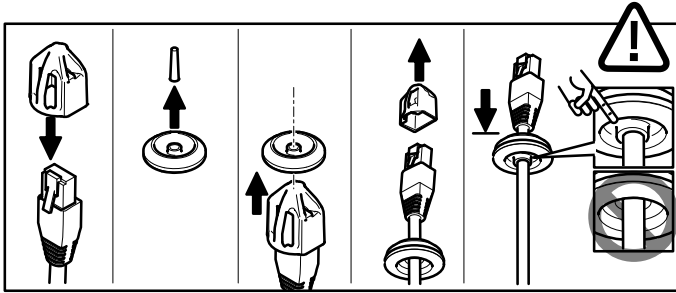
1. Desserrez les vis du couvercle inférieur et soulevez le couvercle supérieur.
2. Sélectionnez le joint de câble à utiliser et tirez sur la patte pour ouvrir un trou au niveau du câble réseau.



- 1 Couvercle inférieur
- 2 Vis du couvercle inférieur T20 (x4)
- 3 Joint de câble M20 (x2)
- 4 Patte

#### AVIS

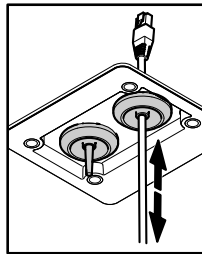
Si le câble réseau dispose d'un connecteur réseau pré-installé, retirez le joint de câble et utilisez la protection du connecteur fournie pour éviter tout endommagement du joint de câble. Évitez d'utiliser des câbles réseau équipés de connecteurs réseau recouverts, car ils peuvent endommager le joint de câble, et ce malgré leur protection.



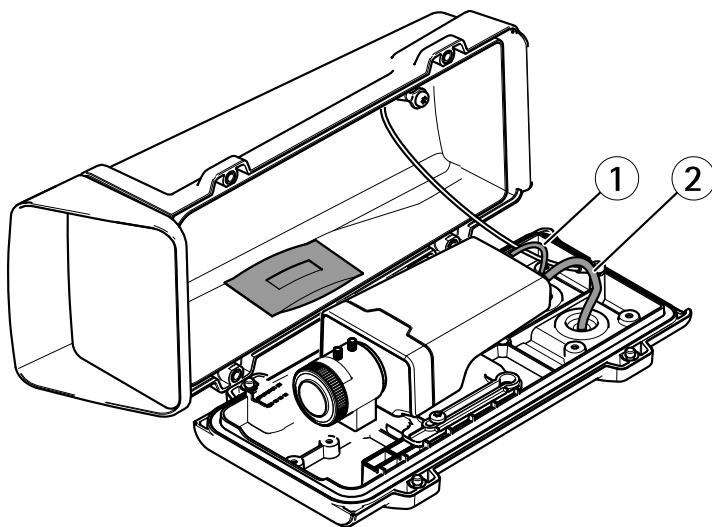
3. Faites passer le câble réseau à travers le joint de câble.
4. Tirez légèrement sur le câble réseau pour que le joint s'ajuste dessus.

**AVIS**

Si vous ne tirez pas sur le câble, il existe un risque d'infiltration d'eau et d'endommagement du produit.

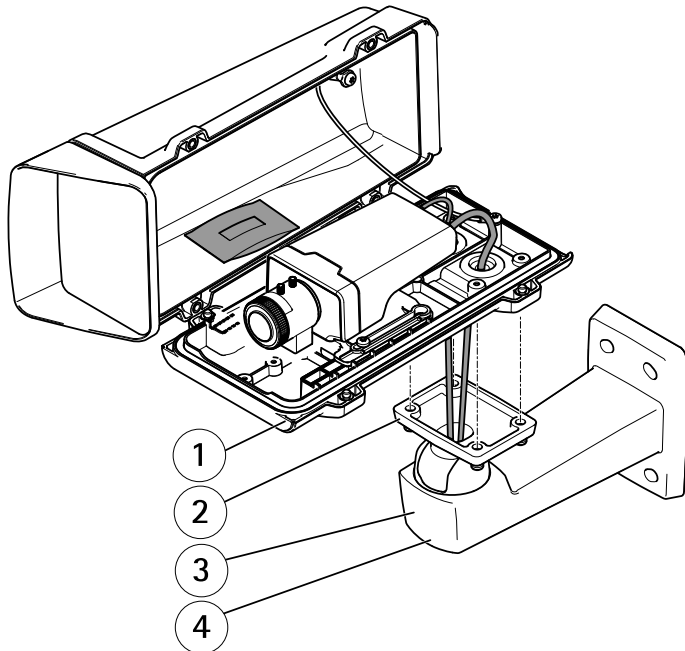


5. Assurez-vous que le joint de câble est correctement installé.
6. Branchez le câble réseau au connecteur réseau.
7. Si vous connectez un câble d'alimentation ou un périphérique d'entrée/sortie à la caméra, répétez les étapes ci-dessus pour chaque périphérique.



- 1 Câble d'alimentation (en option)
- 2 Câble réseau

8. Placez le couvercle inférieur sur la fixation murale et serrez les vis (couple 2 Nm).
9. Vérifiez que les voyants sur la caméra indiquent les conditions correctes.  
Reportez-vous au guide d'installation de la caméra.
10. Desserrez la vis de réglage du support afin d'orienter la caméra dans la direction voulue.



- 1 Couvercle inférieur
- 2 Vis T20 (x4)
- 3 Fixation murale
- 4 Vis de réglage du support T30

11. Pour plus d'informations sur la visualisation du flux de données vidéo, reportez-vous au guide d'installation de la caméra ou consultez [www.axis.com/techsup](http://www.axis.com/techsup).

**AVIS**

Assurez-vous de ne pincer aucun câble à la fermeture du boîtier.

12. Fermez le boîtier. Assurez-vous de serrer en alternance les vis du couvercle inférieur de quelques tours à la fois jusqu'à ce qu'elles soient toutes bien serrées (couple 1,5 Nm). Cela permettra de garantir que le joint du couvercle inférieur est compressé de façon régulière.

**Pour obtenir plus de renseignements**

Visitez le centre de formation en ligne Axis sur le site [www.axis.com/academy](http://www.axis.com/academy) pour en savoir plus sur les formations, les webinaires, les tutoriels et les guides.

### **Informations sur la garantie**

Pour obtenir de plus amples informations sur la garantie du produit AXIS et des renseignements connexes, allez sur le site [www.axis.com/warranty/](http://www.axis.com/warranty/)

## Sicherheitsinformation

Lesen Sie das Installationshandbuch sorgfältig durch bevor sie das Produkt installieren. Bewahren Sie das Installationshandbuch für zukünftige Zwecke auf.

### Gefährdungsstufen

**▲GEFAHR**

Weist auf eine gefährliche Situation hin, die, falls nicht verhindert, zu Tod oder schweren Verletzungen führt.

**▲WARNUNG**

Weist auf eine gefährliche Situation hin, welche, falls nicht verhindert, zu Tod oder schweren Verletzungen führen kann.

**▲VORSICHT**

Weist auf eine gefährliche Situation hin, welche, falls nicht verhindert, zu geringfügiger oder mäßiger Verletzung führen kann.

**HINWEIS**

Weist auf eine gefährliche Situation hin, welche, falls nicht verhindert, zu Sachschäden führen kann.

### Weitere Nachrichtenstufen

**Wichtig**

Weist auf wichtige Informationen hin, die den richtigen Betrieb des Produkts gewährleisten.

**Beachten**

Weist auf nützliche Informationen hin, die die optimale Verwendung des Produkts unterstützen.

## Sicherheitsanweisungen

### **HINWEIS**

- Die Anwendung des Axis Produkts muss unter Beachtung der örtlich geltenden rechtlichen Bestimmungen erfolgen.
- Lagern Sie das Axis Produkt in einer trockenen und belüfteten Umgebung.
- Achten Sie darauf, dass das Axis Produkt weder Stößen noch starkem Druck ausgesetzt ist.
- Installieren Sie das Produkt nicht an instabilen Halterungen, Oberflächen oder Wänden.
- Verwenden Sie bei der Installation des Axis Produkts ausschließlich passende Werkzeuge. Ein zu großer Kraftaufwand mit elektrischen Werkzeugen kann das Produkt beschädigen.
- Verwenden Sie keine chemischen, ätzenden oder aerosolhaltigen Reinigungsmittel.
- Verwenden Sie zum Reinigen ein sauberes, mit lauwarmem Wasser angefeuchtetes Tuch.
- Verwenden Sie nur Zubehör, das den technischen Daten des Produkts entspricht. Dieses ist von Axis oder Drittanbietern erhältlich.
- Verwenden Sie ausschließlich Ersatzteile die von Axis bereitgestellt oder empfohlen werden.
- Versuchen Sie nicht, das Produkt selbstständig zu reparieren. Wenden Sie sich bezüglich Reparatur und Wartung an den Axis Support oder Ihren Axis Händler.

## Transport

### **HINWEIS**

- Bei Bedarf transportieren Sie das Axis Produkt in der Originalverpackung oder einer entsprechenden Verpackung, so dass Schäden vermieden werden.



## Installationsanleitung

In dieser Anleitung wird die Installation des AXIS T93G05 Schutzgehäuses beschrieben.

Anweisungen zur Installation der Kamera im Netzwerk finden Sie in der Installationsanleitung der Kamera. Weitere Informationen zur Kamera finden Sie im Benutzerhandbuch unter [www.axis.com](http://www.axis.com).

### Installationsschritte

1. Stellen Sie sicher, dass die Packungsinhalte, Werkzeuge und andere notwendige Materialien für die Installation in Ordnung sind. Siehe *Seite 33*.
2. Machen Sie sich mit der Hardware-Übersicht vertraut. Siehe *Seite 34*.
3. Machen Sie sich mit den technischen Daten vertraut. Siehe *Seite 35*.
4. Installieren Sie die Hardware. Siehe *Seite 37*.

### Lieferumfang

- AXIS T93G05 Schutzgehäuse
- AXIS Dichtung C M20 (1x)
- Antikondensationsbeutel
- Torx T20-Schraubendreher
- AXIS Anschlussstück A (1x)
- AXIS T94Q01A Wandhalterung
  - Schraubenset T30
- Gedruckte Dokumente
  - Installationsanleitung (dieses Dokument)
  - Installationsanleitung für die AXIS T94Q01A Wandhalterung

### Empfohlene Werkzeuge

- Bohrmaschine zur Montage der Wandhalterung
- Schraubendreher für Schraubenset

### Optionales Zubehör

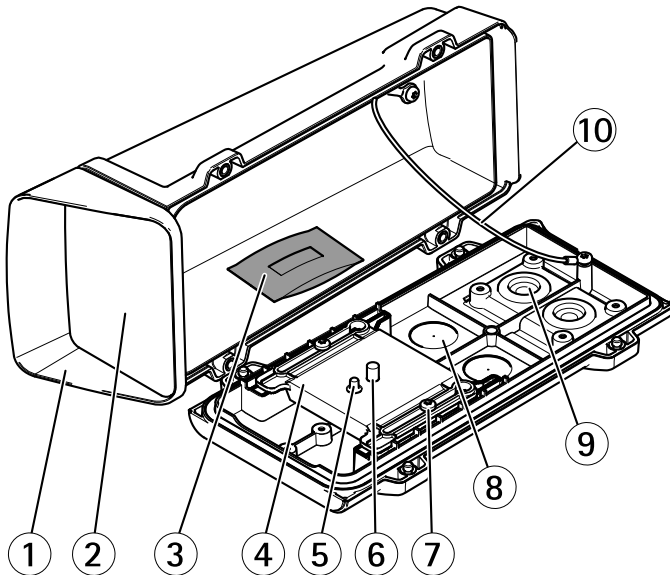
- AXIS Türschalter A
- AXIS T94R01P Kabelführungsdose
- Leuchten
- Gehäusehalterungen

- Kabeldichtungen und Kabelverschraubungen
- AXIS T98A16-VE Überwachungsschrank
- AXIS T91A47 Masthalterungen
- VT-Deckenhalterung (Kabel, int.) WCM4A
- VT-Eckhalterung WCWA

Unter [www.axis.com](http://www.axis.com) finden Sie Informationen über verfügbares Zubehör.

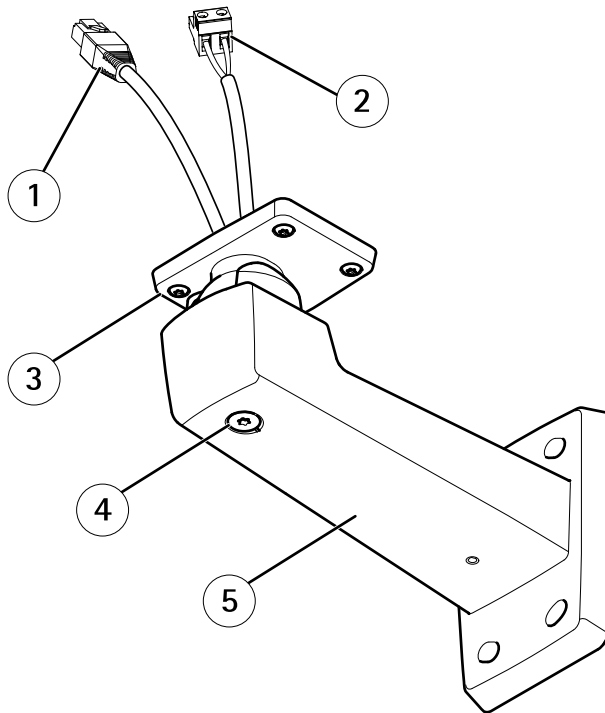
## Übersicht über die Hardware

### Gehäuse



- 1 Obere Abdeckung
- 2 Frontfenster
- 3 Antikondensationsbeutel
- 4 Kamerahalter
- 5 Kontakt
- 6 Schraube T20 für Kamera
- 7 Schraube T20 für Halter (2x)
- 8 Aufbohrungen für zusätzliche Kabellöcher
- 9 Kabeldichtung M20 (2x)
- 10 Sicherheitsdraht

## Wandmontage



- 1 *Netzwerkkabel (durch Wandhalterung führen)*
- 2 *Stromkabel (durch Wandhalterung führen) (für Produkte mit Stromanschluss)*
- 3 *Schraube T20 (4x)*
- 4 *Einstellschraube T30 für Halterung*
- 5 *Wandhalterung*

## Technische Daten

### Betriebsbedingungen

Das Axis Produkt ist für die Verwendung im Innen- und Außenbereich ausgelegt.

# AXIS T93G Series

Klassifikation	
AXIS T93G05	IEC 60721-4-4 Klasse 4M4 IEC 60529 IP66 NEMA 250 Typ 4X

## Beachten

Das AXIS T93G05 Schutzgehäuse verfügt nicht über ein Heizelement. Daher wird die Betriebstemperatur durch die Betriebstemperatur der enthaltenen Kamera bestimmt.

Betriebstemperatur	
AXIS T93G05	-20 °C bis 50 °C

Luftfeuchtigkeit	
AXIS T93G05	10 bis 100 % rF (kondensierend)

## Lagerbedingungen

Temperatur	
AXIS T93G05	-20 °C bis 50 °C

## Kabelbereich

### HINWEIS

- Verwenden Sie Kabel aus dem angegebenen Kabelbereich.
- Verwenden Sie Kabel, die den örtlichen Vorschriften entsprechen.
- Stellen Sie sicher, dass alle Kabellöcher ordnungsgemäß verschlossen sind.
- Verwenden Sie Kabeldichtungen oder Kabelverschraubungen, die sowohl zur Kabeldurchführung als auch zum Kabelbereich passen.

Durchmesser	AWG
5 bis 15 mm	Ca. 4 bis 6/0

Öffnen Sie für zusätzliche Kabellöcher die Aufbohrungen in der Gehäuseunterseite. Siehe *Übersicht über die Hardware auf Seite 34*.

Unter [www.axis.com](http://www.axis.com) finden Sie Informationen über Zubehör wie Kabeldichtungen und Kabelverschraubungen für andere Kabelbereiche.

## Installieren der Hardware

### HINWEIS

Vermeiden Sie Kratzer, Beschädigungen oder Fingerabdrücke am Fenster, da dies die Bildqualität beeinträchtigen kann.

Bei der Installation des Axis Produkts können die Kabel durch die Wand oder an der Wand entlang geführt werden.

Lesen Sie die Anweisungen, bevor Sie das Produkt installieren:

1. Montieren Sie die Wandhalterung. Siehe *Seite 37*. Ausführliche Anweisungen finden Sie in der beiliegenden Installationsanleitung für die Wandhalterung oder unter [www.axis.com](http://www.axis.com).
2. Bauen Sie die Kamera in das Gehäuse ein. Siehe *Seite 38*.
3. Befestigen Sie das Gehäuse an der Wandhalterung. Siehe *Seite 40*.

## Montage der Wandhalterung

### ⚠ VORSICHT

Stellen Sie sicher, dass Sie die für das Material (z. B. Holz, Metall, Gipskarton, Stein) geeigneten Schrauben und Dübel verwenden und das Material stabil genug ist, um das Gesamtgewicht von Kamera, Gehäuse und Wandhalterung zu tragen.

### Beachten

- Weitere Informationen finden Sie in der beiliegenden Installationsanleitung für die Wandhalterung oder unter [www.axis.com](http://www.axis.com).
  - Die technischen Daten der Anschlüsse finden Sie im Benutzerhandbuch der Kamera unter [www.axis.com](http://www.axis.com).
1. Bereiten Sie die Wand für die Installation der Wandhalterung vor. Markieren Sie vor dem Bohren die Bohrlöcher mit der Wandhalterung als Vorlage.
  2. Führen Sie das Netzkabel und ggf. das Netzkabel durch die Wandhalterung. Lassen Sie zum Anschließen der Kamera ca. 30 cm Kabel frei.
  3. Wenn Sie ein zusätzliches Gerät an die Kamera anschließen, z. B. ein E/A- oder Audiogerät bzw. ein externes Netzteil, wiederholen Sie die oben aufgeführten Schritte für jedes Gerät.
  4. Befestigen Sie die Wandhalterung an der Wand, indem Sie die Schrauben festziehen.

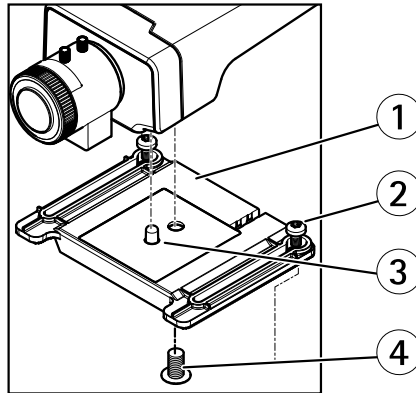
## Einbauen der Kamera in das Gehäuse

1. Schließen Sie externe bzw. Eingabegeräte ggf. anhand der Anweisungen in der Installationsanleitung an die Kamera an, bevor Sie diese am Halter anbringen.
2. Wenn Sie eine microSD-Karte als lokalen Speicher verwenden, schieben Sie die Karte in den SD-Karteneinschub der Kamera.
3. Lösen Sie die Halterungsschrauben und nehmen Sie den Halter vom Gehäuse ab.

### Wichtig

Überprüfen Sie die Ausrichtung der Kamera am Halter, siehe folgende Abbildung.

4. Bringen Sie die Kamera am Halter an. Richten Sie den Kontakt und die Kameraschraube auf die Kontakt- und die Schraubenöffnung der Kamera aus und ziehen Sie die Kameraschraube fest (Drehmoment 1 Nm). Achten Sie darauf, dass Sie die Schraube nicht überdrehen.

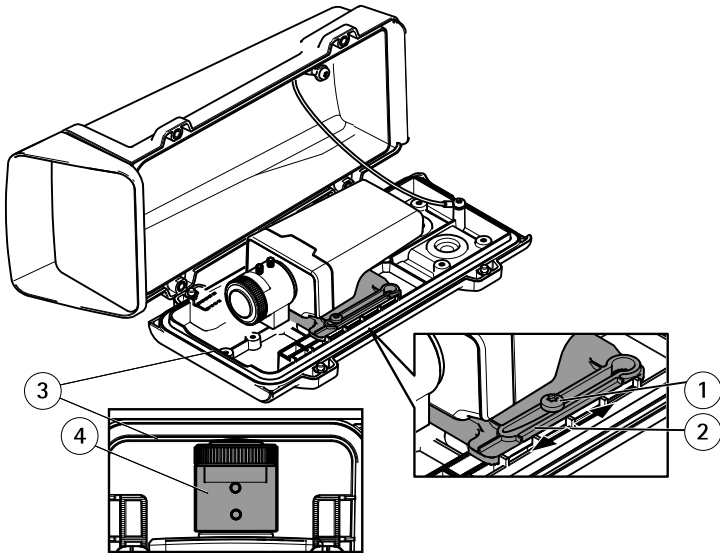


- 1 Halter
- 2 Schraube T20 für Halter (2x)
- 3 Kontakt
- 4 Schraube T20 für Kamera

5. Gleichen Sie die Position des Halters vorsichtig an und ziehen Sie dann die Schrauben des Halters fest (Drehmoment 0,5 Nm).

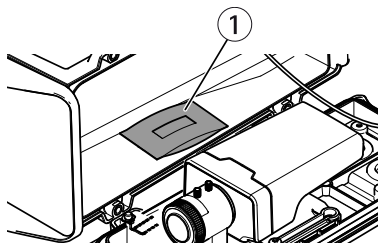
### HINWEIS

Die Anforderungen für die IK10-Zertifizierung können Sie erfüllen, indem Sie die Position des Halters so einstellen, dass das Objektiv (4) und die Kante des Gehäuses (3) wie in der Abbildung dargestellt aneinander ausgerichtet sind.



- 1 Schraube T20 für Halter (2x)
- 2 Halter
- 3 Gehäusekante
- 4 Objektiv

6. Entfernen Sie die Plastikschutzhülle des Antikondensationsbeutels und legen Sie den Antikondensationsbeutel innen an die Gehäusewand.

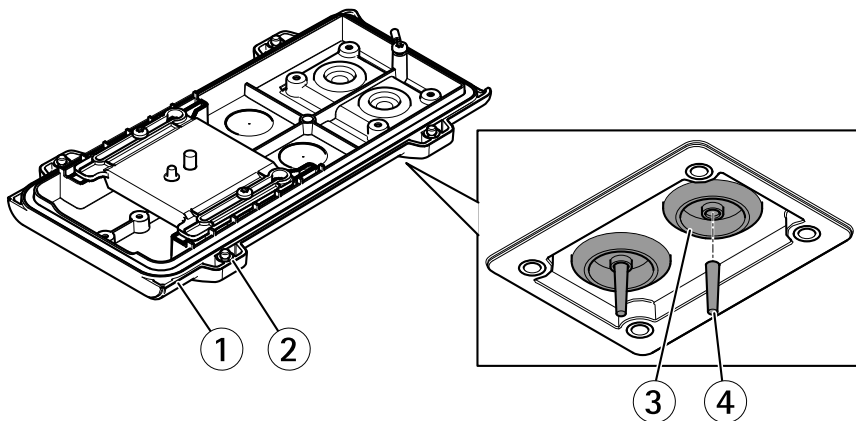


- 1 Antikondensationsbeutel

## Anbringen des Gehäuses an der Wandhalterung

### HINWEIS

- Verwenden Sie Kabel aus dem angegebenen Kabelbereich, siehe Seite 36. Wenn eine andere Kabeldichtung als die mitgelieferte verwendet wird, kann Wasser eindringen und das Produkt beschädigen. Unter [www.axis.com](http://www.axis.com) finden Sie Informationen zu Kabeldichtungen und Kabelverschraubungen für andere Kabelbereiche.
  - Wird mehr als ein Kabel verwendet, muss jedes Kabel durch eine separate Kabeldichtung geführt werden.
  - Öffnen Sie bei den verwendeten Kabeldichtungen nur ein Loch. Wenn eine Kabeldichtung eingerissen ist, ersetzen Sie diese durch eine neue. Wenn eine Kabeldichtung geöffnet bleibt oder eine eingerissene Kabeldichtung verwendet wird, kann Wasser eindringen und das Produkt beschädigen.
1. Lösen Sie die Schrauben an der unteren Abdeckung, und heben Sie die obere Abdeckung an.
  2. Wählen Sie die zu verwendende Kabeldichtung aus, und ziehen Sie an der Lasche, um ein Loch für das Netzkabel zu öffnen.

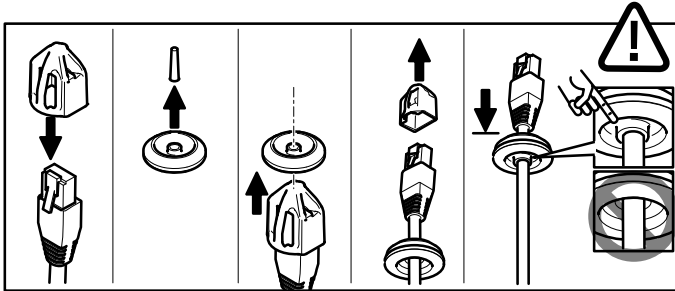


- 1 Untere Abdeckung
- 2 Schraube T20 für untere Abdeckung (4x)
- 3 Kabeldichtung M20 (2x)
- 4 Lasche



## HINWEIS

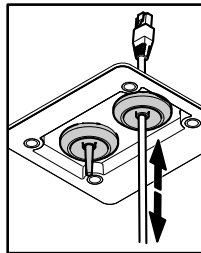
Wenn das Netzkabel über einen vormontierten Netzwerkstecker verfügt, entfernen Sie die Kabeldichtung und verwenden Sie das mitgelieferte Anschlussstück, um ein Reißen der Kabeldichtung zu verhindern. Verwenden Sie keine Netzkabel, die Netzwerkstecker mit Deckeln aufweisen, da diese auch bei Verwendung des Anschlussstücks zum Reißen der Kabeldichtung führen können.



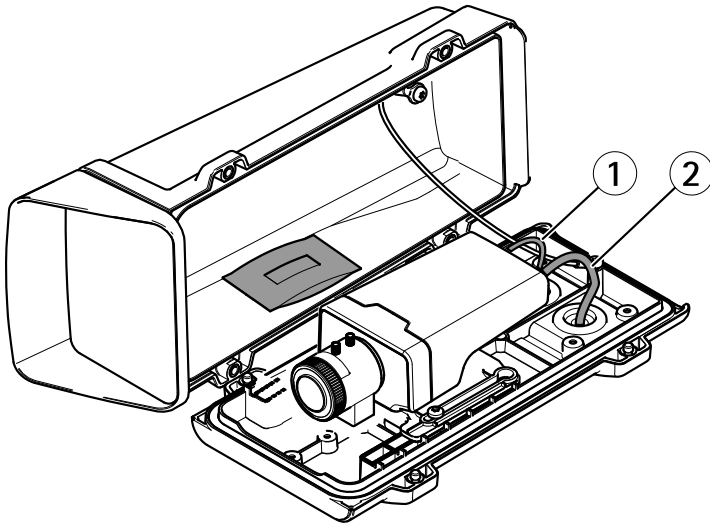
3. Führen Sie das Netzkabel durch die Kabeldichtung.
4. Ziehen Sie das Netzkabel ein wenig zurück, bis die Kabeldichtung bündig um das Kabel sitzt.

## HINWEIS

Wird das Kabel nicht zurückgezogen, kann Wasser eindringen und das Produkt beschädigen.

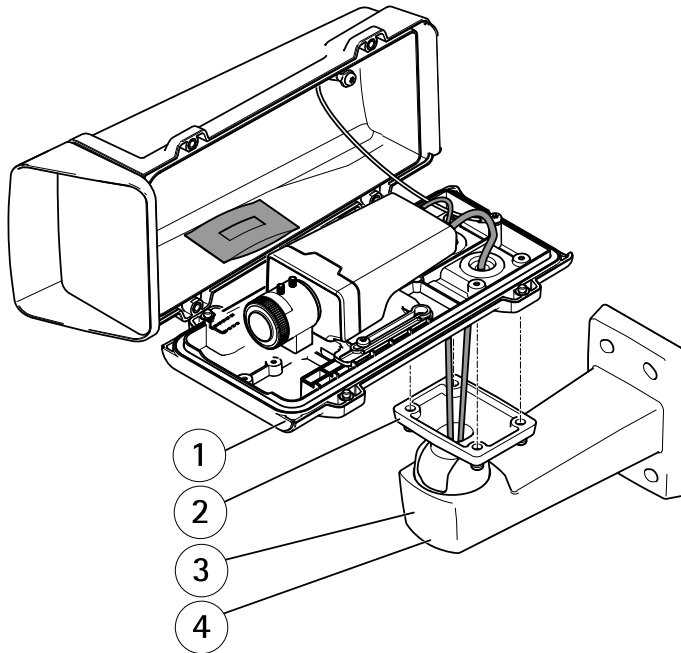


5. Vergewissern Sie sich, dass die Kabeldichtung ordnungsgemäß sitzt.
6. Schließen Sie das Netzkabel an den Netzwerkanschluss an.
7. Wenn Sie ein Netzkabel oder ein E/A-Gerät an die Kamera anschließen, wiederholen Sie die oben aufgeführten Schritte für das jeweilige Gerät.



- 1 *Netzkabel (optional)*
- 2 *Netzwerkkabel*

8. Setzen Sie die untere Abdeckung auf die Wandhalterung und ziehen die Schrauben an (Drehmoment 2 Nm).
9. Vergewissern Sie sich, dass die Kamera-LEDs die richtigen Bedingungen anzeigen. Weitere Informationen finden Sie in der Installationsanleitung für die Kamera.
10. Lösen Sie die Einstellschraube der Halterung und richten Sie die Kamera auf das gewünschte Ziel aus.



- 1 Untere Abdeckung
- 2 Schraube T20 (4x)
- 3 Wandhalterung
- 4 Einstellschraube T30 für Halterung

11. Informationen zum Anzeigen des Videostreams finden Sie in der Installationsanleitung der Kamera oder unter [www.axis.com/techsup](http://www.axis.com/techsup).

**HINWEIS**

Stellen Sie sicher, dass beim Schließen des Gehäuses keine Kabel eingeklemmt werden.

12. Schließen Sie das Gehäuse. Ziehen Sie die Schrauben der unteren Abdeckung im Wechsel jeweils wenige Umdrehungen an, bis sie fest sitzen (Drehmoment 1,5 Nm). Auf diese Weise wird sichergestellt, dass die Dichtung der unteren Abdeckung gleichmäßig sitzt.

**Weitere Informationen**

Besuchen Sie das Axis-Schulungszentrum [www.axis.com/academy](http://www.axis.com/academy) für anregende Schulungen, Webinare, Lernprogramme und Anleitungen.

### **Gewährleistung**

Informationen zur Gewährleistung der Axis Produkte und hierzu verbundene Informationen, finden Sie unter [www.axis.com/warranty/](http://www.axis.com/warranty/)

## Informazioni di sicurezza

Leggere con attenzione questa guida all'installazione prima di installare il dispositivo. Conservare questo documento per usi futuri.

### Livelli di pericolo

**▲PERICOLO**

Indica una situazione pericolosa che, se non evitata, provoca morte o lesioni gravi.

**▲AVVERTENZA**

Indica una situazione pericolosa che, se non evitata, può provocare la morte o lesioni gravi.

**▲ATTENZIONE**

Indica una situazione pericolosa che, se non evitata, può provocare lesioni medie o minori.

**AWISO**

Indica una situazione che, se non evitata, può danneggiare la proprietà.

### Altri livelli di messaggio

**Importante**

Indica informazioni importanti, essenziali per il corretto funzionamento del dispositivo.

**Nota**

Indica informazioni utili che aiutano a ottenere il massimo dal dispositivo.

## Istruzioni di sicurezza

### **AWISO**

- Il prodotto Axis deve essere utilizzato in conformità alle leggi e alle disposizioni locali.
- Conservare il prodotto Axis in un ambiente asciutto e ventilato.
- Evitare di esporre il prodotto Axis a urti o pressioni eccessive.
- Non installare il prodotto su supporti, superfici o pareti instabili.
- Utilizzare solo strumenti applicabili quando si installa il dispositivo Axis. Se si utilizza una forza eccessiva con gli strumenti dell'alimentazione è possibile causare danni al dispositivo.
- Non utilizzare sostanze chimiche, agenti caustici o detergenti aerosol.
- Utilizzare un panno pulito inumidito in acqua pura per la pulizia.
- Utilizzare solo accessori compatibili con le specifiche tecniche del prodotto. Questi possono essere forniti da Axis o da terze parti.
- Utilizzare solo parti di ricambio fornite o consigliate da Axis.
- Non tentare di riparare il prodotto da soli. Contattare l'assistenza o il rivenditore Axis per questioni relative alla manutenzione.

## Trasporto

### **AWISO**

- Durante il trasporto del dispositivo Axis, utilizzare l'imballaggio originale o equivalente per evitare danni al dispositivo.

## Guida all'installazione

La presente guida all'installazione fornisce le istruzioni necessarie per installare la custodia protettiva AXIS T93G05.

Per installare la telecamera in rete, consultare la guida all'installazione in dotazione con il dispositivo. Per altre informazioni sull'utilizzo della telecamera, consultare la guida per l'utente sul sito [www.axis.com](http://www.axis.com)

## Procedura di installazione

1. Assicurarsi che il contenuto della confezione, gli strumenti e altri materiali necessari per l'installazione siano in ordine. Consultare *pagina 47*.
2. Studiare la descrizione dell'hardware. Consultare *pagina 48*.
3. Studiare le specifiche. Consultare *pagina 49*.
4. Installazione dell'hardware. Consultare *pagina 51*.

## Contenuto della confezione

- Custodia protettiva AXIS T93G05
- Guarnizione C M20 AXIS (x1)
- Sacchetto dell'essiccante
- Cacciavite Torx T20
- Protezione del connettore AXIS A (x1)
- Supporto per montaggio a parete AXIS T94Q01A
  - Punta da cacciavite T30
- Materiali stampati
  - Guida all'installazione (questo documento)
  - Guida all'installazione del supporto per il montaggio a parete AXIS T94Q01A

## Strumenti consigliati

- Trapano (per l'installazione del supporto per il montaggio a parete)
- Cacciavite per punta

## Accessori opzionali

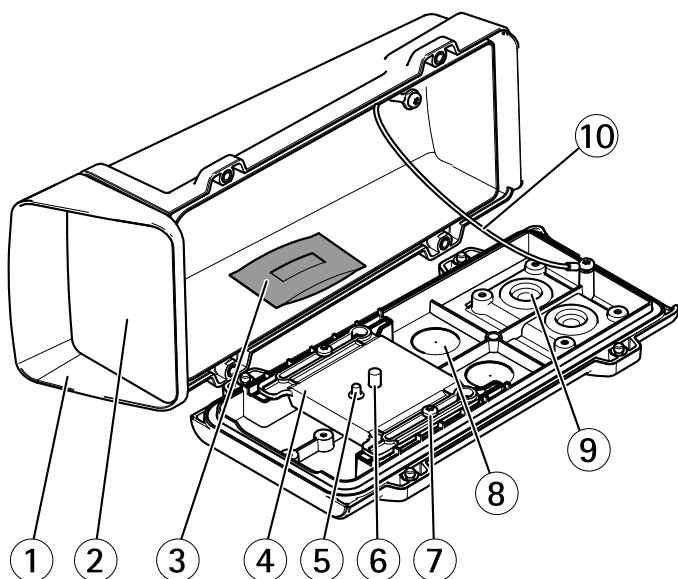
- Interruttore per porta AXIS A
- Scatola di collegamento AXIS T94R01P

- Illuminatori
- Supporti per il montaggio dell'alloggiamento
- Pressacavi e guarnizioni per cavi
- Armadio di sorveglianza AXIS T98A16-VE
- Supporti per il montaggio su palo AXIS T91A47
- Cavo interno staffa a soffitto VT WCM4A
- Supporto per il montaggio ad angolo VT WCWA

Visitare il sito Web [www.axis.com](http://www.axis.com) per ottenere informazioni sugli accessori disponibili.

## Panoramica dell'hardware

### Custodia

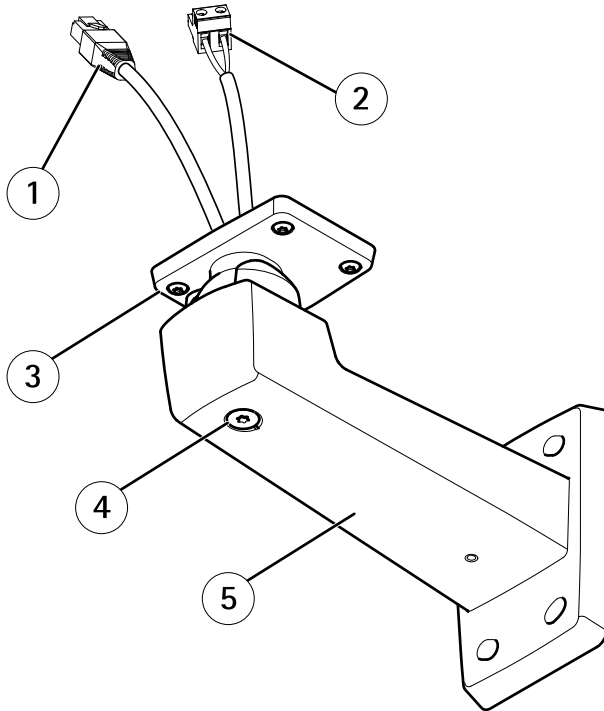


- 1 Coperchio superiore
- 2 Finestra anteriore
- 3 Sacchetto dell'essiccante
- 4 Supporto della telecamera
- 5 Pin
- 6 Vite della telecamera T20
- 7 Vite del supporto T20 (2x)
- 8 Prefori per ulteriori fori per i cavi
- 9 Prefori per ulteriori fori per i cavi
- 10 Prefori per ulteriori fori per i cavi



- 9 Guarnizione cavo M20 (2x)
- 10 Cavo di sicurezza

## Montaggio a parete



- 1 Cavo di rete (da instradare attraverso la staffa a parete)
- 2 Cavo di alimentazione (da instradare attraverso la staffa a parete) (per dispositivi dotati di connettore di alimentazione)
- 3 Vite T20 (4x)
- 4 Vite di regolazione della staffa T30
- 5 Supporto per montaggio a parete

## Dati tecnici

### Condizioni di funzionamento

Il dispositivo Axis è destinato all'uso interno ed esterno.

## AXIS T93G Series

Classificazione	
AXIS T93G05	IEC 60721-4-4 Classe 4M4 IEC 60529 IP66 NEMA 250 Tipo 4X

### Nota

La custodia protettiva AXIS T93G05 non dispone di riscaldatore. Pertanto, i limiti della temperatura di funzionamento si basano sulle temperature della telecamera nella custodia.

Temperatura di esercizio	
AXIS T93G05	Da -20 °C a 50 °C (da -4 °F a 122 °F)

Umidità	
AXIS T93G05	10-100% (umidità relativa con condensa)

### Condizioni di stoccaggio

Temperatura	
AXIS T93G05	Da -20 °C a 50 °C (da -4 °F a 122 °F)

### Area dei cavi

#### **AWISO**

- Utilizzare cavi di lunghezza adeguata all'area specificata.
- Selezionare i cavi nel rispetto delle normative locali.
- Verificare che i fori dei cavi siano correttamente sigillati.
- Usare guarnizioni per cavi o pressacavi corrispondenti al foro e all'area dei cavi.

Diametro	AWG
Da 5 a 15 mm (da 0,197 a 0,591 pollici)	Approssimativamente da 4 a 6/0

Per creare ulteriori fori per i cavi, aprire i prefori collocati nella parte inferiore della custodia. Consultare *Panoramica dell'hardware alla pagina 48*.

Per informazioni sugli accessori disponibili, come ad esempio guarnizioni per cavi e pressacavi adatti per altre aree dei cavi, visitare il sito Web [www.axis.com](http://www.axis.com).

## Installazione dell'Hardware

### AVVISO

Non graffiare, danneggiare o lasciare impronte digitali sulla finestra per preservare la qualità dell'immagine.

È possibile installare il dispositivo Axis instradando i cavi attraverso o lungo la parete.

Leggere tutte le istruzioni prima di installare il prodotto:

1. Installazione del supporto per il montaggio a parete. Consultare *pagina 51*. Per istruzioni dettagliate, consultare la guida all'installazione del supporto di montaggio a parete presente nella confezione o visitare l'indirizzo [www.axis.com](http://www.axis.com)
2. Installare la telecamera nella custodia. Consultare *pagina 51*.
3. Fissare la custodia al supporto per montaggio a parete. Consultare *pagina 54*.

## Installazione del supporto per il montaggio a parete

### ATTENZIONE

Verificare che le viti e i tasselli siano adatti al materiale della parete (es. legno, metallo, cartongesso, pietra) e che il materiale sia in grado di sostenere telecamera, custodia e supporto per il montaggio a parete.

### Nota

- Per informazioni, consultare anche la guida all'installazione del supporto di montaggio a parete presente nella confezione e disponibile all'indirizzo [www.axis.com](http://www.axis.com)
  - Per le specifiche tecniche dei connettori, consultare la guida per l'utente della telecamera sul sito [www.axis.com](http://www.axis.com)
1. Preparare la parete per l'installazione del supporto. Utilizzare il supporto per il montaggio a parete come profilo e contrassegnare i punti da trapanare.
  2. Inserire il cavo di rete e, se necessario, il cavo di alimentazione attraverso la staffa per il montaggio a parete. Lasciare circa 30 cm (11,8 pollici) di cavo per il collegamento alla telecamera.
  3. In caso di connessione di un dispositivo (es. di I/O, audio o alimentazione esterna) alla telecamera, ripetere il passaggio precedente (se consentito per il dispositivo in questione).
  4. Fissare la staffa alla parete serrando le viti.

## Installazione della telecamera nella custodia

1. In caso di connessione di un dispositivo esterno/di input alla telecamera, rispettare le istruzioni riportate nella guida all'installazione della telecamera, prima di fissare la telecamera al supporto.

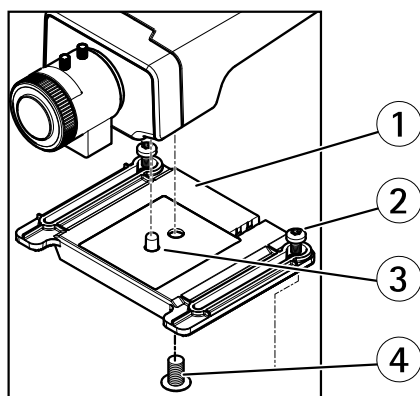
## AXIS T93G Series

2. Se si utilizza una scheda microSD per l'archiviazione locale, inserirla nell'apposito slot della telecamera.
3. Allentare le viti del supporto e rimuovere il supporto dalla custodia.

### Importante

Assicurarsi che la telecamera venga fissata al supporto con l'orientamento corretto, come mostrato nell'illustrazione qui sotto.

4. Collegare la telecamera al supporto. Allineare il perno e la vite della telecamera con il foro del perno e il foro filettato sulla telecamera, quindi serrare la vite della telecamera (con una coppia di 1 Nm). Non serrare la vite in maniera eccessiva.

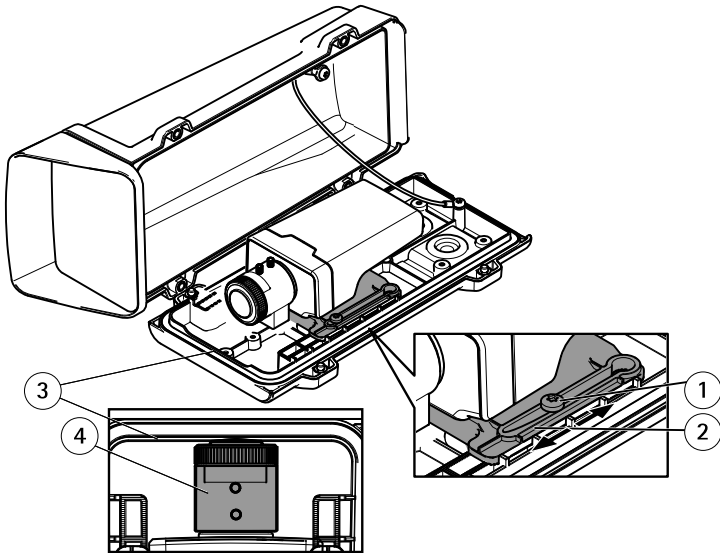


- 1 *Supporto*
- 2 *Vite del supporto T20 (2x)*
- 3 *Pin*
- 4 *Vite della telecamera T20*

5. Regolare con cura la posizione del supporto e serrare le viti (con una coppia di 0,5 Nm).

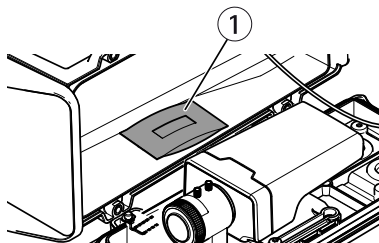
### AVVISO

Per soddisfare i requisiti della classificazione IK10, regolare la posizione del supporto in modo che l'obiettivo della telecamera (4) risulti allineato con il bordo della custodia (3), come mostrato nell'illustrazione.



- 1 Vite del supporto T20 (2x)
- 2 Supporto
- 3 Bordo della custodia
- 4 Obiettivo della telecamera

6. Rimuovere la busta di plastica del sacchetto dell'essiccante e collocare il sacchetto dell'essiccante sulla parete interna della custodia.

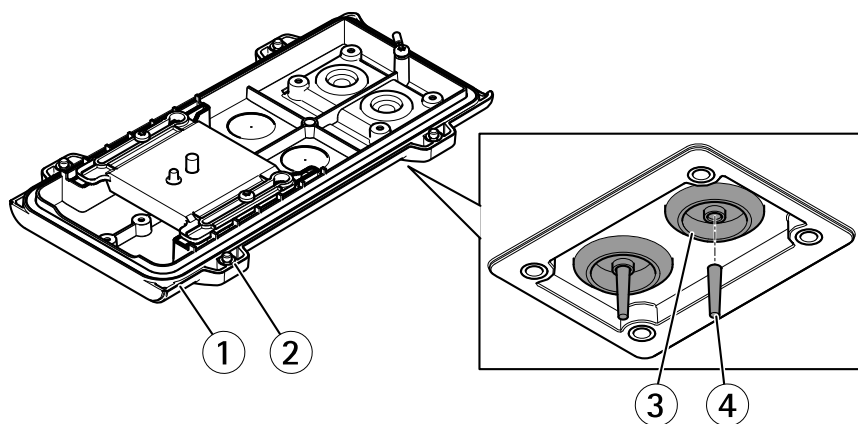


- 1 Sacchetto dell'essiccante

### Installazione della custodia sul supporto per il montaggio a parete

#### AVVISO

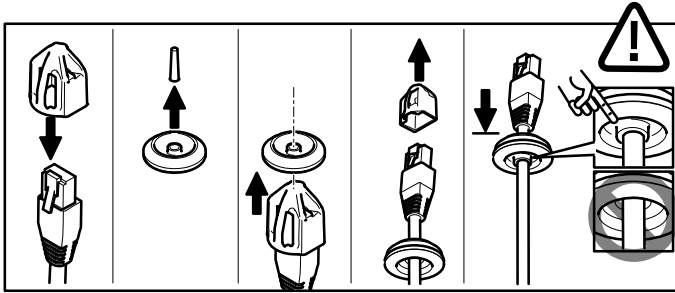
- Utilizzare cavi di lunghezza adeguata all'area cavi specificata, vedere *pagina 50*. L'utilizzo di una guarnizione per cavi diversa da quella in dotazione può causare infiltrazioni d'acqua e danni al prodotto. Per informazioni sulle guarnizioni per cavi e i pressacavi adatti per altre aree dei cavi, visitare il sito Web [www.axis.com](http://www.axis.com).
  - Utilizzando più di un cavo, instradare ciascun cavo attraverso una guarnizione separata.
  - Aprire un foro solo nelle guarnizioni utilizzate e sostituirle in caso di danno. Una guarnizione per cavi aperta o danneggiata potrebbe causare infiltrazioni d'acqua nel prodotto e gravi danni.
1. Allentare le viti del coperchio inferiore e sollevare il coperchio superiore.
  2. Scegliere la guarnizione per cavi da usare e tirare la linguetta per aprire il foro per il cavo di rete.



- 1 Coperchio inferiore
- 2 Vite del coperchio inferiore T20 (4x)
- 3 Guarnizione cavo M20 (2x)
- 4 Linguetta

#### AVVISO

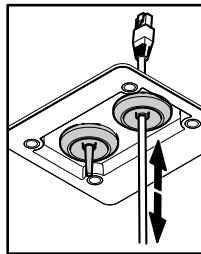
Se il cavo di rete dispone di un connettore preinstallato, rimuovere la guarnizione per cavi e usare la protezione del connettore in dotazione per evitare danni alla guarnizione. Non usare cavi di rete dotati di connettori di rete con tappi, poiché potrebbero danneggiare la guarnizione del cavo nonostante la protezione del connettore.



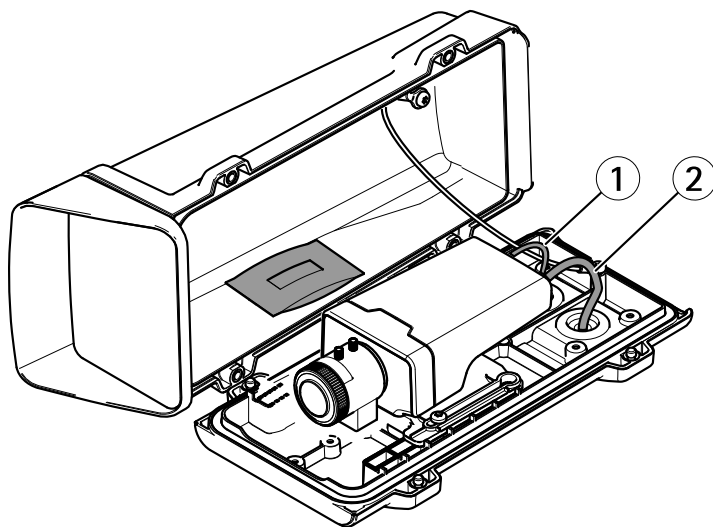
3. Inserire il cavo di rete attraverso la guarnizione per cavi.
4. Tirare delicatamente il cavo di rete in modo da adattare la guarnizione al cavo.

**AVVISO**

Se il cavo non viene tirato potrebbero verificarsi infiltrazioni d'acqua e danni al dispositivo.



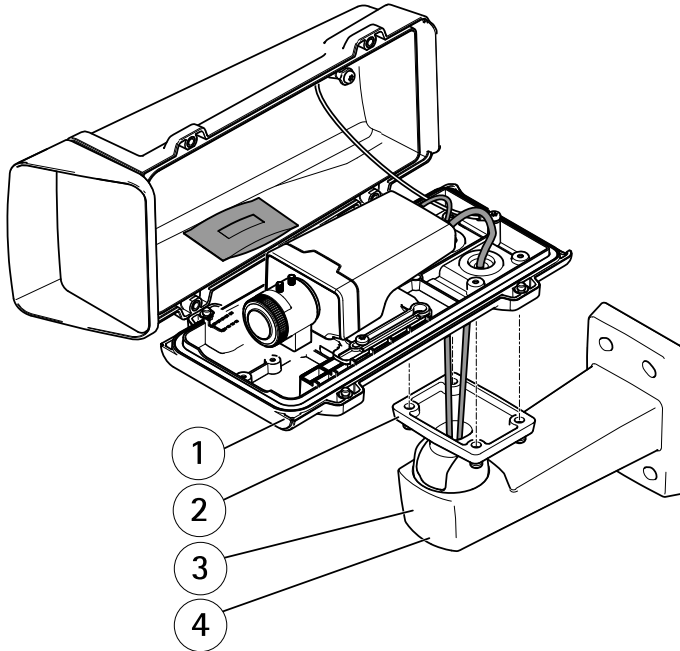
5. Verificare il corretto montaggio della guarnizione del cavo.
6. Collegare il cavo di rete al connettore di rete.
7. In caso di connessione di un cavo di alimentazione o di un dispositivo I/O alla telecamera, ripetere i passaggi precedenti (se consentito per il dispositivo in questione).



- 1 Cavo di alimentazione (opzionale)
- 2 Cavo di rete

8. Inserire il coperchio inferiore sul supporto per il montaggio a parete e serrare le viti (con una coppia di 2 Nm).
9. Verificare che i LED della telecamera indichino le corrette condizioni.  
Consultare la guida all'installazione della telecamera.
10. Allentare le viti di regolazione della staffa per orientare la telecamera verso il punto desiderato.





- 1 Coperchio inferiore
- 2 Vite T20 (4x)
- 3 Montaggio a parete
- 4 Vite di regolazione della staffa T30

11. Per informazioni sulla visualizzazione del flusso video, consultare la guida all'installazione della telecamera o visitare il sito [www.axis.com/techsup](http://www.axis.com/techsup)

**AWISO**

Verificare che i cavi non restino incastrati durante la chiusura della custodia.

12. Chiudere la custodia. Girare le viti del coperchio inferiore in maniera alternata fino a quando non saranno tutte serrate (con una coppia di 1,5 Nm). In questo modo è possibile comprimere la guarnizione del coperchio inferiore in modo uniforme.

## Ulteriori Informazioni

Visitare il Centro di apprendimento Axis alla pagina [www.axis.com/academy](http://www.axis.com/academy) per servizi di formazione utili, webinar, tutorial e guide.

### Informazioni sulla garanzia

Per informazioni sulla garanzia del dispositivo Axis e informazioni ad esso relative, consultare la pagina [www.axis.com/warranty/](http://www.axis.com/warranty/)

## Información de seguridad

Lea esta Guía de instalación con atención antes de instalar el producto. Guarde la Guía de instalación para poder consultarla en otro momento.

### Niveles de peligrosidad

**▲PELIGRO**

Indica una situación peligrosa que, si no se evita, provocará lesiones graves o la muerte.

**▲ADVERTENCIA**

Indica una situación peligrosa que, si no se evita, puede provocar lesiones graves o la muerte.

**▲ATENCIÓN**

Indica una situación peligrosa que, si no se evita, puede provocar lesiones moderadas o leves.

**AVISO**

Indica una situación peligrosa que, si no se evita, puede provocar daños materiales.

### Otros niveles de mensaje

**Importante**

Indica información importante que es fundamental para que el producto funcione correctamente.

**Nota**

Indica información útil que ayuda a aprovechar el producto al máximo.

## Instrucciones de seguridad

### **AVISO**

- El producto de Axis debe utilizarse de acuerdo con la legislación y la normativa locales.
- Almacene el producto de Axis en un entorno seco y ventilado.
- Evite la exposición del producto de Axis a choques o a una fuerte presión.
- No instale el producto en soportes, superficies o paredes inestables.
- Utilice solo las herramientas correspondientes cuando instale el producto de Axis. La aplicación de una fuerza excesiva con herramientas eléctricas puede provocar daños en el producto.
- No utilice limpiadores en aerosol, agentes cáusticos ni productos químicos.
- Limpie con un paño limpio humedecido con agua pura.
- Utilice solo accesorios que cumplan con las especificaciones técnicas del producto. Estos accesorios los puede proporcionar Axis o un tercero.
- Utilice solo piezas de repuesto proporcionadas o recomendadas por Axis.
- No intente reparar el producto usted mismo. Póngase en contacto con el servicio de asistencia técnica de Axis o con su distribuidor de Axis para tratar asuntos de reparación.

## Transporte

### **AVISO**

- Cuando transporte el producto de Axis, utilice el embalaje original o un equivalente para evitar daños en el producto.

## Guía de instalación

Esta Guía de instalación incluye las instrucciones necesarias para instalar la carcasa protectora AXIS T93G05.

Para instalar la cámara en la red, consulte la Guía de instalación proporcionada con la cámara. Para conocer más detalles acerca de la cámara, consulte el Manual del usuario disponible en [www.axis.com](http://www.axis.com).

### Pasos de la instalación

1. Asegúrese de que dispone del contenido del paquete, las herramientas y los demás materiales necesarios para la instalación. *Vea página 61.*
2. Estudie la información general del hardware. *Vea página 62.*
3. Estudie las especificaciones. *Vea página 63.*
4. Instale el hardware. *Vea página 65.*

### Contenido del paquete

- Carcasa de protección AXIS T93G05
- Junta AXIS C M20 (1)
- Bolsa desecante
- Destornillador Torx T20
- Protector del conector A de AXIS (1)
- Montaje en pared AXIS T94Q01A
  - Broca T30
- Materiales impresos
  - Guía de instalación (este documento)
  - Guía de instalación para el montaje en pared AXIS T94Q01A

### Herramientas recomendadas

- Taladro, para instalar el montaje en pared
- Destornillador para la punta de tornillos

### Accesorios opcionales

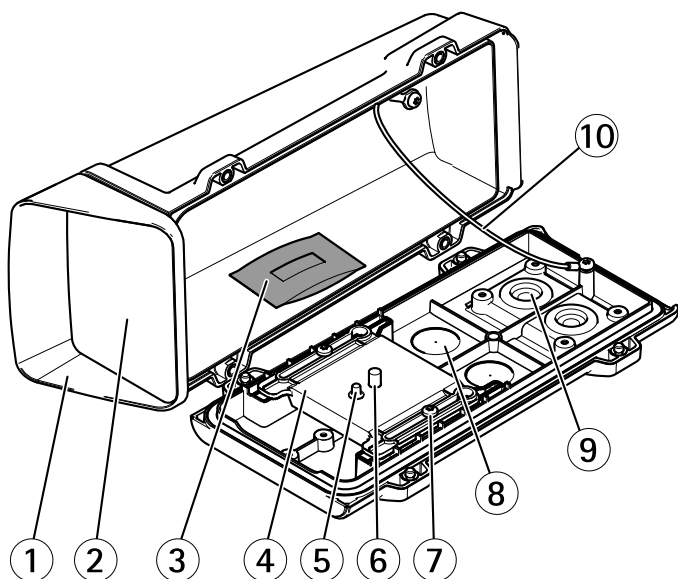
- Interruptor de puerta AXIS A
- Caja posterior de conexiones AXIS T94R01P

- Iluminadores
- Montajes en carcasa
- Juntas de cable y prensaestopas
- Armario de vigilancia AXIS T98A16-VE
- Montajes en poste AXIS T91A47
- Cable WCM4A interior de escuadra de techo VT
- Montaje en esquina VT WCWA

Para obtener información sobre los accesorios disponibles, visite [www.axis.com](http://www.axis.com).

## Información general del hardware

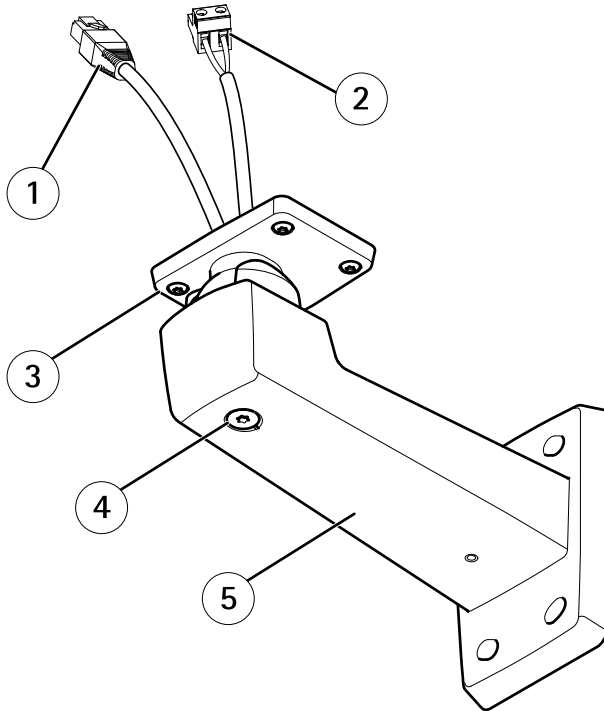
### Carcasa



- 1 Cubierta superior
- 2 Ventana delantera
- 3 Bolsa desecante
- 4 Soporte de cámara
- 5 Pin
- 6 Tornillo de la cámara T20
- 7 Tornillos del soporte T20 (2)
- 8 Orificios perforados para cables adicionales
- 9 Orificios perforados para cables adicionales
- 10 Orificios perforados para cables adicionales

- 9 Juntas de cable M20 (2)
- 10 Cable de seguridad

## Montaje en pared



- 1 Cable de red (guiado a través de la escuadra de pared)
- 2 Cable de alimentación (guiado a través de la escuadra de pared) (para todos los productos equipados con conector de alimentación)
- 3 Tornillos T20 (4)
- 4 Tornillo de ajuste de escuadra T30
- 5 Montaje en pared

## Especificaciones

### Condiciones de funcionamiento

El producto de Axis se ha creado para su uso en interiores y exteriores.

## AXIS T93G Series

Clasificación	
AXIS T93G05	IEC 60721-4-4 Clase 4M4 IEC 60529 IP66 NEMA 250 Tipo 4X

### Nota

La carcasa de protección AXIS T93G05 no incluye calentador. Por lo tanto, los límites de temperatura de funcionamiento están determinados por las temperaturas de funcionamiento de la cámara empotrada.

Temperatura de funcionamiento	
AXIS T93G05	De -20 °C a 50 °C

Humedad	
AXIS T93G05	Humedad relativa del 10 al 100 % (con condensación)

## Condiciones de almacenamiento

Temperatura	
AXIS T93G05	De -20 °C a 50 °C

## Área de cableado

### AVISO

- Utilice cables que puedan permanecer dentro del área de cableado especificada.
- Elija cables que cumplan la normativa local aplicable.
- Asegúrese de que todos los orificios para cables estén debidamente sellados.
- Utilice juntas de cable o prensaestopas que se ajusten tanto al orificio para cable como al área de cableado.

Diámetro	AWG
De 5 a 15 mm	Aproximadamente de 4 a 6/0

En caso de necesitar orificios para cables adicionales, abra los orificios preperforados situados en la parte inferior de la carcasa. Vea *Información general del hardware en la página 62*.



Para obtener información acerca de los accesorios, como juntas de cable y prensaestopas permitidos para otras áreas de cableado, visite [www.axis.com](http://www.axis.com).

## Instalación del hardware

### AVISO

Preste atención para no arañar, dañar ni dejar las huellas en la ventana de la carcasa, puesto que esto puede provocar una disminución de la calidad de imagen.

El producto de Axis puede instalarse guiando los cables a través de la pared o sobre esta.

Lea todas las instrucciones antes de instalar el producto:

1. Instale el montaje en pared. Vea *página 65*. Para obtener instrucciones detalladas, consulte la Guía de instalación del montaje en pared, incluida en el paquete o disponible en [www.axis.com](http://www.axis.com).
2. Instalación de la cámara en la carcasa. Consulte *página 66*.
3. Fije la carcasa al montaje en pared. Consulte *página 68*.

## Instalación del montaje en pared

### ⚠ ATENCIÓN

Asegúrese de que los tornillos y tacos sean los adecuados para el material (p. ej. madera, metal, placas de yeso, piedra) y que el material sea lo suficientemente resistente para soportar el peso combinado de la cámara, la carcasa y el montaje en pared.

1. Prepare la pared para instalar el montaje en pared. Utilice la escuadra de pared como una plantilla y marque la ubicación de los orificios antes de perforarlos.
2. Guíe el cable de red a través de la escuadra de pared. Deje unos 30 cm de cable aproximadamente para conectarlo a la cámara.
3. Guíe el cable de alimentación (AXIS T93F10) a través de la escuadra de pared. Deje unos 30 cm de cable aproximadamente para conectarlo a la cámara.
4. Si se conecta un dispositivo auxiliar a la cámara, por ejemplo un dispositivo de alimentación externo, un dispositivo de E/S o uno de audio, repita el paso anterior aplicado a cada dispositivo en cuestión.
5. Fije la escuadra de pared apretando los tornillos.

### Nota

- Para obtener instrucciones detalladas, consulte la Guía de instalación del montaje en pared, incluida en el paquete y disponible en [www.axis.com](http://www.axis.com).
- Si desea conocer más especificaciones técnicas, consulte el Manual del usuario en [www.axis.com](http://www.axis.com)

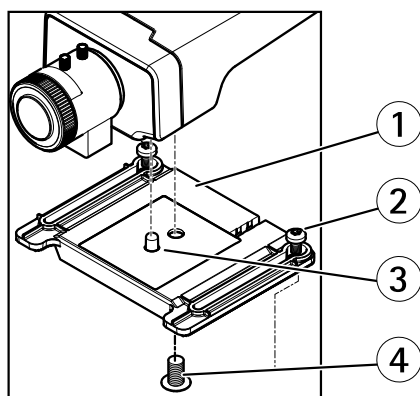
### Instalación de la cámara en la carcasa

1. Si conecta a la cámara dispositivos externos/de entrada, conéctelos de acuerdo con las instrucciones descritas en la Guía de instalación de la cámara antes de fijar la cámara al soporte.
2. En caso de utilizar una tarjeta microSD como unidad de almacenamiento local, inserte la tarjeta en la ranura para tarjetas SD de la cámara.
3. Afloje los tornillos del soporte y extráigalo de la carcasa.

#### Importante

Asegúrese de fijar la cámara al soporte con la orientación correcta, vea la ilustración a continuación.

4. Fije la cámara al soporte. Alinee el pin y el tornillo de la cámara con el orificio y el receptáculo de tornillo que se encuentran en la cámara y apriete el tornillo de la cámara (par de torsión de 1 Nm). Asegúrese de no apretar el tornillo en exceso.

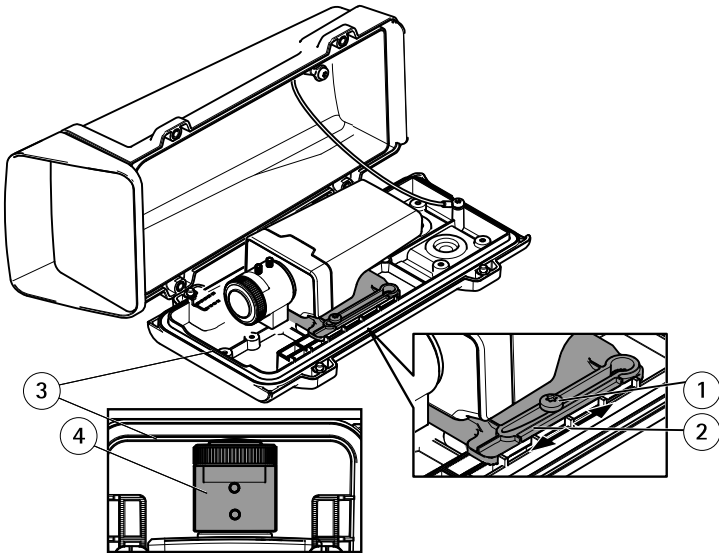


- 1 Soporte
- 2 Tornillos del soporte T20 (2)
- 3 Pin
- 4 Tornillo de la cámara T20

5. Ajuste con cuidado la posición del soporte y, a continuación, apriete los tornillos del soporte (par de torsión de 0,5 Nm).

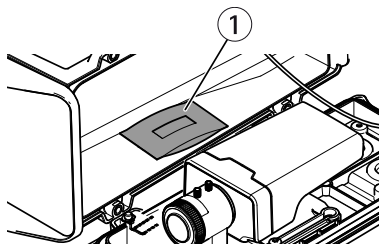
#### AVISO

A fin de cumplir los requisitos de la clasificación IK10, ajuste la posición del soporte de modo que el objetivo de la cámara (4) quede alineado con el borde de la carcasa (3), vea la ilustración.



- 1 Tornillos del soporte T20 (2)
- 2 Soporte
- 3 Borde de la carcasa
- 4 Objetivo de la cámara

6. Retire el envoltorio de plástico de la bolsa desecante y colóquela en la pared interior de la carcasa.

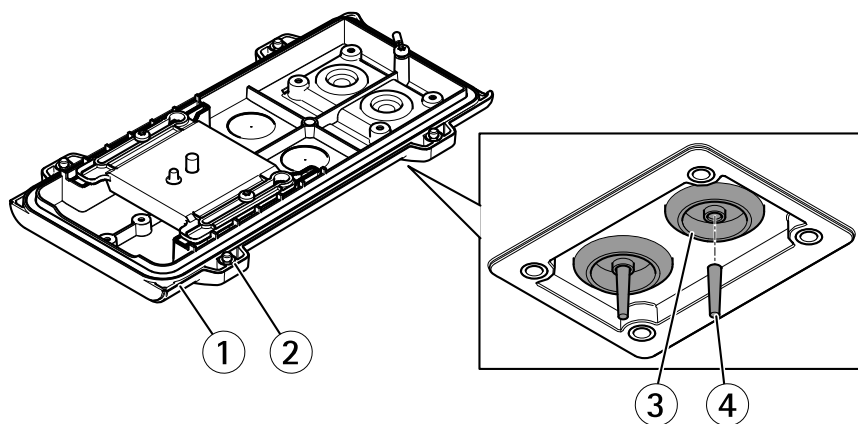


- 1 Bolsa desecante

### Instalación de la carcasa en el montaje en pared

#### AVISO

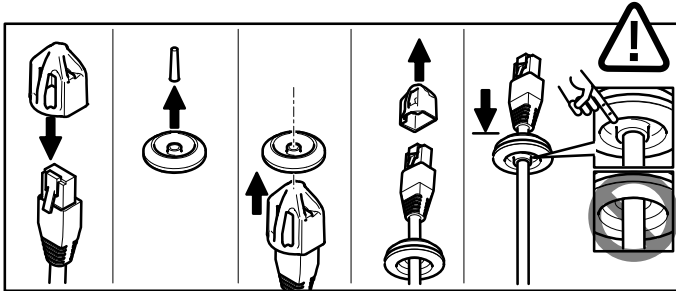
- Utilice los cables que permanecen dentro del área de cableado especificada, vea *página 64*. Si utiliza otra junta de cable distinta de la proporcionada, el agua podría filtrarse y dañar el producto. Para obtener más información acerca de las juntas de cable y de los prensaestopas permitidos para otras áreas de cableado, visite [www.axis.com](http://www.axis.com).
  - Si se utiliza más de un cable, deberá pasarse cada cable a través de una junta distinta.
  - Solo abra un orificio en las juntas de cable que se vayan a utilizar y si alguna junta está desgastada, reemplácela con una nueva. Si deja la junta de cable abierta o utiliza una desgastada, el agua podría filtrarse y dañar el producto.
1. Afloje los tornillos de la cubierta inferior y levante la cubierta superior.
  2. Seleccione la junta de cable que vaya a utilizar y tire de la lengüeta para abrir un orificio para el cable de red.



- 1 *Cubierta inferior*
- 2 *Tornillos T20 de cubierta inferior (4)*
- 3 *Juntas de cable M20 (2)*
- 4 *Lengüeta*

#### AVISO

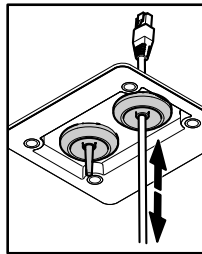
Si el cable de red incluye un conector de red premontado, retire la junta de cable y utilice el protector del conector suministrado para evitar que la junta de cable se rompa. Evite utilizar cables de red con conectores de red recubiertos ya que podrían rasgar la junta de cable a pesar de utilizar el protector.



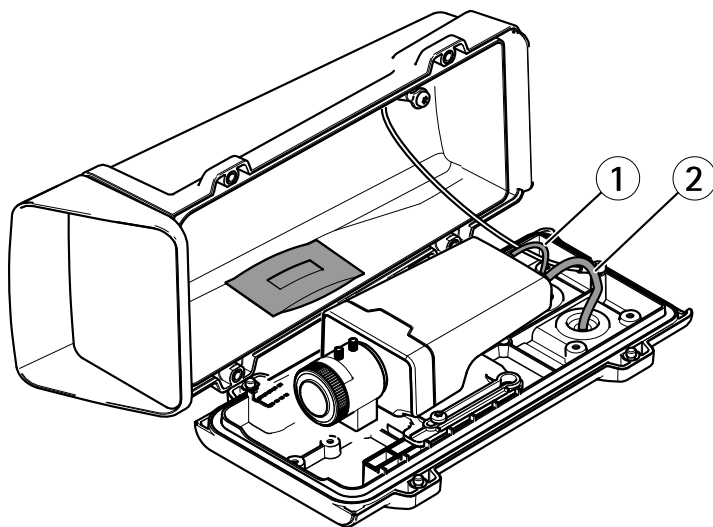
3. Empuje el cable de red a través de la junta de cable.
4. Tire del cable de red hacia atrás suavemente de manera que la junta de cable se ajuste en el cable.

**AVISO**

Si no se tira del cable hacia atrás, podría filtrarse agua y dañar el producto.

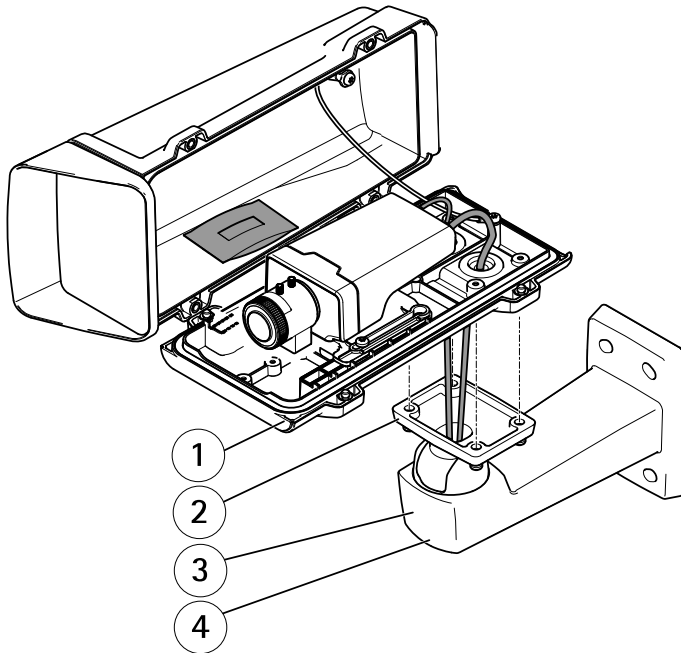


5. Asegúrese de que la junta de cable encaje correctamente.
6. Conecte el cable de red al conector de red.
7. Si se conecta un cable de alimentación o un dispositivo de E/S a la cámara, repita los pasos anteriores aplicados a cada dispositivo en cuestión.



- 1 *Cable de alimentación (opcional)*
- 2 *Cable de red*

8. Coloque la cubierta inferior sobre el montaje en pared y apriete los tornillos (par de torsión de 2 Nm).
9. Asegúrese de que los indicadores LED de la cámara indican las condiciones correctas. Vea la Guía de instalación de la cámara.
10. Afloje el tornillo de ajuste de la escuadra para orientar la cámara hacia el punto de interés.



- 1 Cubierta inferior
- 2 Tornillos T20 (4)
- 3 Montaje en pared
- 4 Tornillo de ajuste de escuadra T30

11. Para obtener información sobre cómo ver la transmisión de vídeo, consulte la Guía de instalación de la cámara o visite [www.axis.com/techsup](http://www.axis.com/techsup).

**AVISO**

Asegúrese de no pillar ningún cable al cerrar la carcasa.

12. Cierre la carcasa. Asegúrese de apretar los tornillos de la cubierta inferior poco a poco, de forma alterna, hasta que estén bien apretados (par de torsión de 1,5 Nm). De este modo contribuirá a garantizar que la junta de la cubierta inferior se ha comprimido uniformemente.

## Más información

Visite el centro de aprendizaje de [www.axis.com/academy](http://www.axis.com/academy) para consultar guías, tutoriales, seminarios web y cursos que pueden resultarle útiles.

### Información de garantía

Para obtener más detalles sobre la garantía del producto Axis y la información relacionada con ella, consulte [www.axis.com/warranty/](http://www.axis.com/warranty/)



## 安全情報

本製品を設置する前に、このインストールガイドをよくお読みください。インストールガイドは、後で参照できるように保管しておいてください。

## 危険レベル

### ▲危険

回避しない場合、死亡または重傷につながる危険な状態を示します。

### ▲警告

回避しない場合、死亡または重傷につながるおそれのある危険な状態を示します。

### ▲注意

回避しない場合、軽傷または中程度の怪我につながるおそれのある危険な状態を示します。

### 注記

回避しない場合、器物の破損につながるおそれのある状態を示します。

## その他のメッセージレベル

### 重要

製品を正しく機能させるために不可欠な重要情報を示します。

### 注意

製品を最大限に活用するために役立つ有用な情報を示します。

### 安全手順

#### 注記

- 本製品は、お使いになる地域の法律や規制に準拠して使用してください。
- 本製品は乾燥した換気の良い環境に保管してください。
- 本製品に衝撃または強い圧力を加えないでください。
- 本製品を不安定なブラケット、表面、または壁に設置しないでください。
- 本製品を設置する際には、適切な工具のみを使用してください。電動工具を使用して過剰な力をかけると、製品が損傷することがあります。
- 化学薬品、腐食剤、噴霧式クリーナーは使用しないでください。
- 清掃には、きれいな水に浸した清潔な布を使用してください。
- 製品の技術仕様に準拠したアクセサリーのみを使用してください。これらのアクセサリーは、Axisまたはサードパーティから入手できます。
- Axisが提供または推奨する交換部品のみを使用してください。
- 製品を自分で修理しないでください。修理については、Axisサポートまたは販売代理店にお問い合わせください。

### 輸送

#### 注記

- 本製品を運搬する際は、製品が損傷しないよう、元の梱包か同等の梱包を使用してください。

## インストールガイド

このインストールガイドでは、AXIS T93G05プロテクティブハウジングをインストールする手順について説明します。

カメラをネットワークにインストールする手順については、カメラに付属するインストールガイドを参照してください。カメラのその他の情報については、Axisのホームページ ([www.axis.com](http://www.axis.com)) でユーザーズマニュアルを参照してください。

## 設置手順

1. パッケージの内容、ツールなど、設置に必要な物がそろっているかを確認します。 75ページを参照してください。
2. ハードウェアの概要を確認します。 76ページを参照してください。
3. 仕様を確認します。 78ページを参照してください。
4. ハードウェアを設置します。 79ページを参照してください。

## パッケージの内容

- AXIS T93G05プロテクティブハウジング
- AXISガセットC M20 x1
- 乾燥剤
- トルクスT20ドライバー
- AXISコネクタガードA x1
- AXIS T94Q01A壁面取付ブラケット
  - スクリュービットT30
- 印刷物
  - インストールガイド (本書)
  - AXIS T94Q01A壁面取付ブラケットのインストールガイド

## 推奨ツール

- ドリル – 壁面取付ブラケットの取り付けに使用
- スクリュービット用ドライバー

## オプションアクセサリ

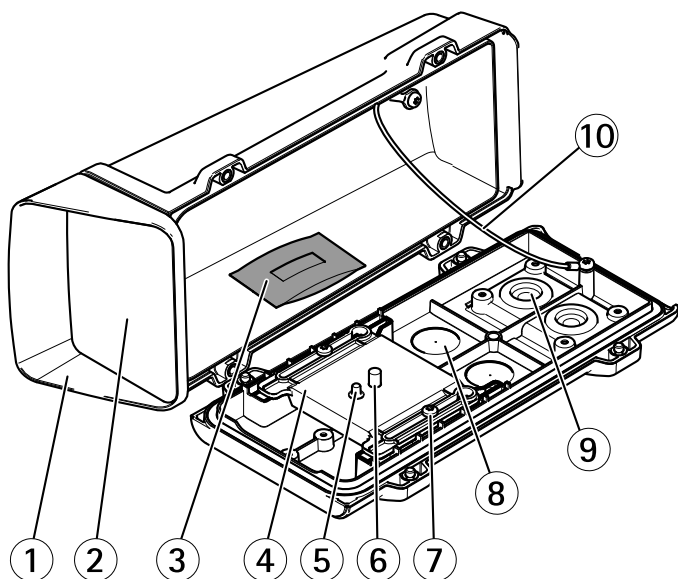
- AXISドアスイッチA
- AXIS T94R01Pコンジットバックボックス

- イルミネーター
- ハウジング取付金具
- ケーブルガスカートとケーブルグラウンド
- AXIS T98A16-VE サーベイランスキャビネット
- AXIS T91A47ポール取付金具
- VT天井ブラケット内部ケーブルWCM4A
- VTコーナー取付金具WCWA

利用可能なアクセサリについては、[www.axis.com](http://www.axis.com)を参照してください。

## ハードウェアの概要

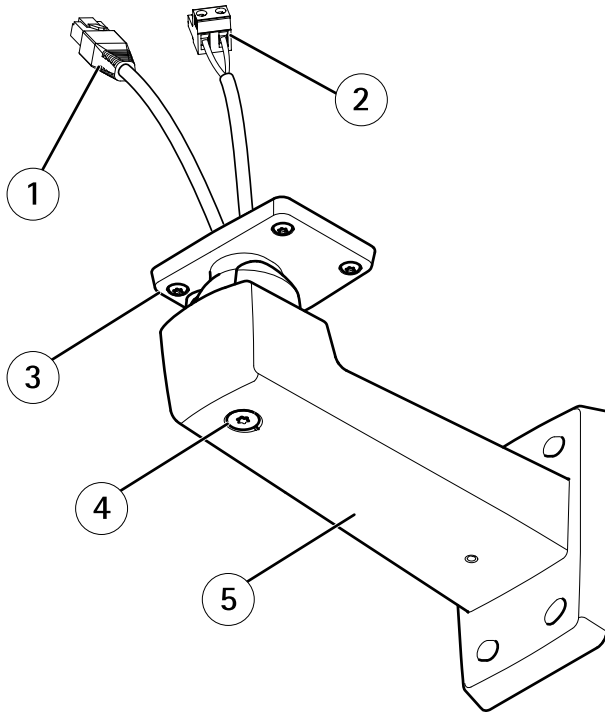
### ハウジング



- 1 上蓋
- 2 正面ウィンドウ
- 3 乾燥剤
- 4 カメラホルダー
- 5 ピン
- 6 カメラネジT20
- 7 ホルダーネジT20 x2

- 8 追加のケーブル孔用ドリルアウト
- 9 ケーブルガasket M20 x2
- 10 安全ワイヤー

## 壁面取付ブラケット



- 1 ネットワークケーブル (壁面ブラケットに通す)
- 2 電源ケーブル (壁面ブラケットに通す) (電源コネクタを搭載した製品用)
- 3 ネジT20 x4
- 4 ブラケット調節ネジT30
- 5 壁面取付ブラケット

# AXIS T93G Series

## 仕様

### 動作条件

本製品は屋内および屋外対応モデルです。

等級	
AXIS T93G05	IEC 60721-4-4 Class 4M4 IEC 60529 IP66 NEMA 250 Type 4X

### 注意

AXIS T93G05 プロテクティブハウジングはヒーターを搭載していないため、動作温度範囲は収納するカメラの動作温度によって決まります。

動作温度	
AXIS T93G05	-20 °C ~ 50 °C

湿度	
AXIS T93G05	10 ~ 100% RH (結露可)

### 保管条件

温度	
AXIS T93G05	-20 °C ~ 50 °C

### ケーブルエリア

#### 注記

- 指定のケーブルエリアに収まるケーブルを使用してください。
- 地域の規制に適合したケーブルを選択してください。
- すべてのケーブル孔が適切に密封されていることを確認してください。
- ケーブル孔とケーブルエリアの両方に適合するケーブルガスカートまたはケーブルグラウンドを使用してください。

直径	AWG
5～15 mm	約4～6/0

ケーブル孔を追加する場合は、ハウジングの下部にあるドリルアウトを開けてください。76ページの、ハードウェアの概要を参照してください。

他のケーブルエリアに対応するケーブルガasket、ケーブルグランドなどのアクセサリについては、[www.axis.com](http://www.axis.com)を参照してください。

## ハードウェアの設置

### 注記

画質低下の原因になるため、ウィンドウに傷や指紋を付けたり、損傷しないように注意してください。

本製品は、ケーブルを壁に沿わせたり、壁の中を通して配線して、設置することができます。

製品を取り付ける前に、すべての説明に目を通してください。

1. 壁面取付ブラケットの取り付け。79ページを参照してください。詳しい取り付け手順については、壁面取付ブラケットに同梱のインストールガイド、または[www.axis.com](http://www.axis.com)を参照してください。
2. カメラのハウジングへの収納。80ページを参照してください。
3. ハウジングの壁面取付ブラケットへの取り付け。82ページを参照してください。

## 壁面取付ブラケットの取り付け

### ▲注意

ネジやプラグ類が、壁の材質（木、金属、乾式壁、石）に適しているか確認してください。また、壁の材質が、カメラ、ハウジング、壁面取付ブラケットの合計重量を十分に支えられることを確認してください。

### 注意

- または、壁面取付ブラケットに同梱のインストールガイド、および[www.axis.com](http://www.axis.com)を参照してください。
- コネクタの技術仕様については、Axisのホームページ ([www.axis.com](http://www.axis.com)) でカメラのユーザーズマニュアルを参照してください

1. 壁面取付ブラケットを取り付ける壁面の準備を行います。壁面ブラケットを壁に合わせ、穴を開ける位置に印を付けます。
2. ネットワークケーブル(必要に応じて電源ケーブル)を壁面ブラケットに通します。カメラとの接続用に30 cmほどケーブルを残します。
3. I/O、音声、外部電源デバイスなどの補助デバイスをカメラに接続する場合、それぞれのデバイスについて同じ手順を繰り返します。
4. ネジを締め、壁面ブラケットを壁面に固定します。

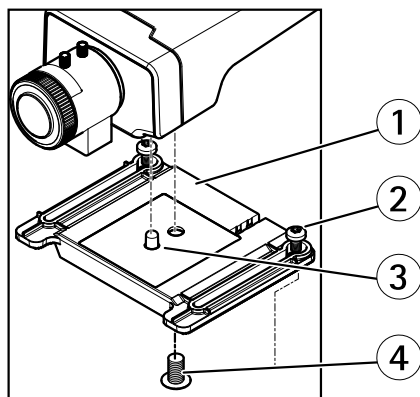
### カメラのハウジングへの収納

1. 外部/入力デバイスをカメラに接続する場合は、カメラをホルダーに取り付ける前に、カメラのインストールガイドに記載された手順に従って接続してください。
2. microSDカードをローカルストレージとして使用する場合は、カメラのSDカードスロットにSDカードを挿入します。
3. ホルダーネジをゆるめ、ハウジングからホルダーを外します。

#### 重要

カメラが正しい方向に取り付けられていることを確認します。下の図を参照してください。

4. カメラをホルダーに取り付けます。ピンとカメラ固定ネジをピン穴とスクリュウマウントに合わせ、カメラネジを締めます(トルク1 Nm)。ネジを締めすぎないように注意してください。



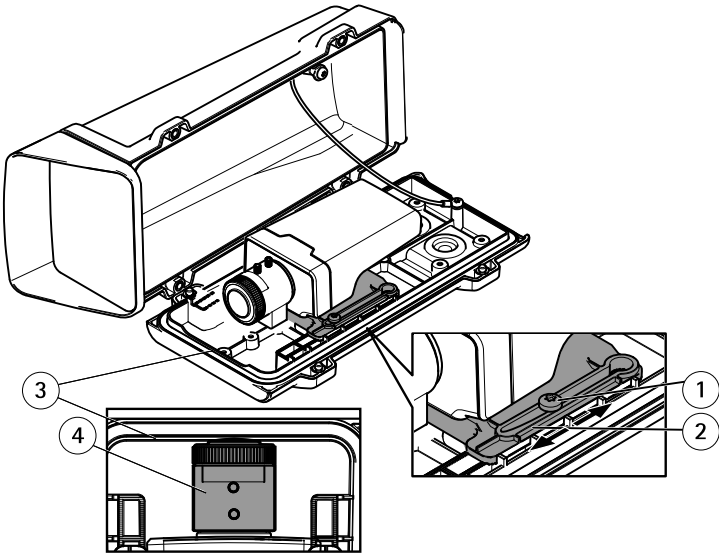
- 1 ホルダー
- 2 ホルダーネジT20 x2
- 3 ピン
- 4 カメラネジT20



5. ホルダーの位置を慎重に調整し、ホルダーネジを締めます (トルク0.5 Nm)。

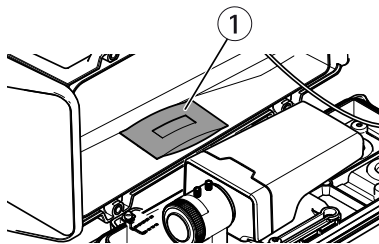
**注記**

IK10準拠の要件を満たすには、ホルダーの位置を調整して、カメラのレンズ (4) をハウジングの縁 (3) に合わせます。



- 1 ホルダーネジT20 x2
- 2 ホルダー
- 3 ハウジングの縁
- 4 カメラレンズ

6. 乾燥剤のビニール包装を取り外し、ハウジングの内壁に乾燥剤を置きます。



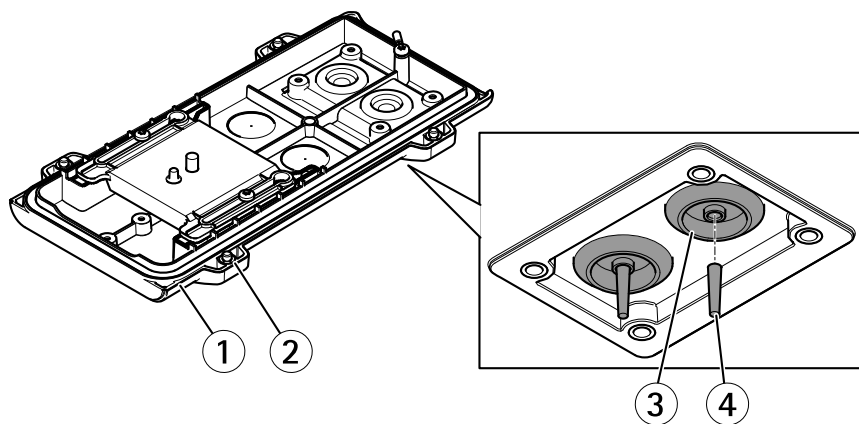
- 1 乾燥剤

## ハウジングの壁面取付ブラケットへの取り付け

### 注記

- 指定のケーブルエリアに収まるケーブルを使用してください(78ページを参照)。付属のケーブルガasket以外は使用しないでください。浸水し、製品が破損するおそれがあります。他のケーブルエリアに対応するケーブルガasket、ケーブルグランドについては、[www.axis.com](http://www.axis.com)を参照してください。
- 複数のケーブルを使用する場合、各ケーブルをそれぞれ別のケーブルガasketに通す必要があります。
- 使用するケーブルガasketのみ穴を開けます。ケーブルガasketが破損した場合には、新品のケーブルガasketに交換してください。ケーブルガasketに穴を開けたままにしたり、破損したケーブルガasketを使用したりすると、浸水し、製品が破損するおそれがあります。

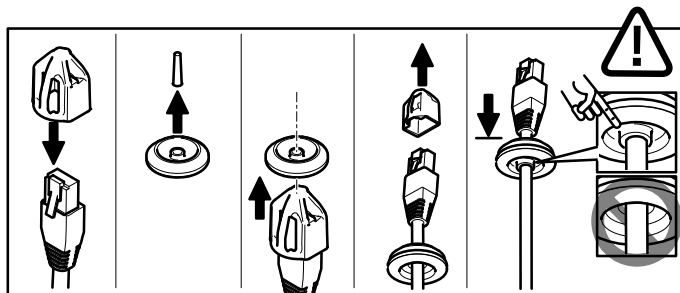
1. 裏蓋ネジを緩め、上蓋を持ち上げます。
2. 使用するケーブルガasketを選び、タブを引いてネットワークケーブル用の穴を開けます。



- 1 裏蓋
- 2 裏蓋ネジT20 x4
- 3 ケーブルガasket M20 x2
- 4 タブ

## 注記

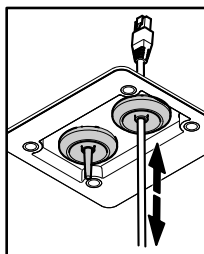
ネットワークケーブルにネットワークコネクタが付いている場合、ケーブルガasketを取り外し、付属のコネクタガードを使用して、ケーブルガasketの破損を防止します。キャップ付きネットワークコネクタの付いたネットワークケーブルは使用しないでください。コネクタガードを使用してもケーブルガasketが破損するおそれがあります。



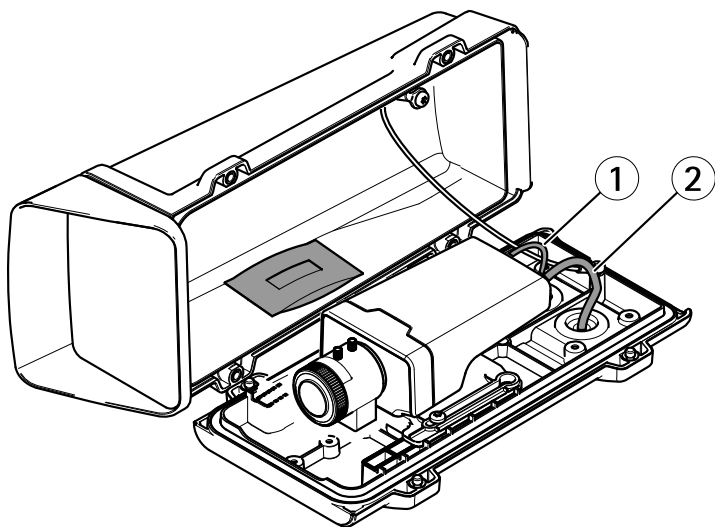
3. ネットワークケーブルをケーブルガasketに通します。
4. ネットワークケーブルを少し手前に引き、ケーブルガasketをケーブルにぴったりと合わせます。

## 注記

ケーブルを引いて手前に戻さないと、浸水して製品が損傷するおそれがあります。

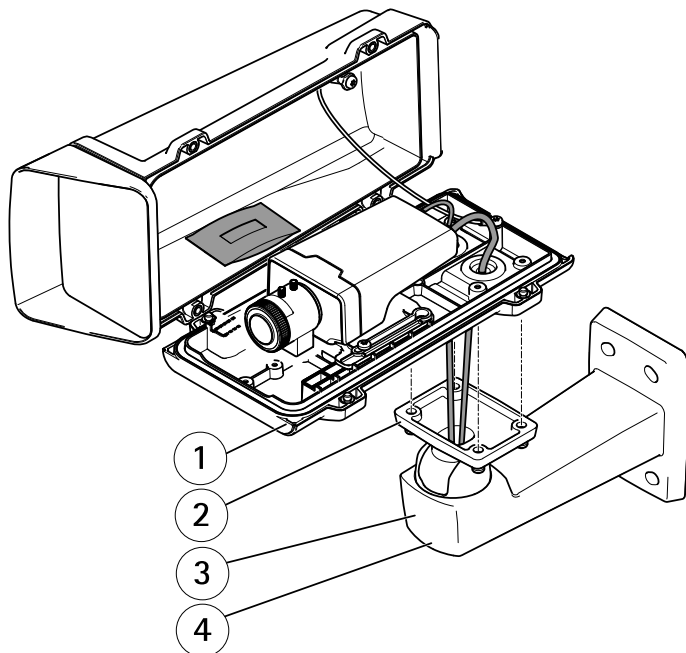


5. ケーブルガasketが正しく取り付けられていることを確認します。
6. ネットワークケーブルをネットワークコネクタに接続します。
7. 電源ケーブルやI/Oデバイスをカメラに接続する場合、それぞれのデバイスについて同じ手順を繰り返します。



- 1 電源ケーブル(オプション)
- 2 ネットワークケーブル

8. 裏蓋を壁面取付ブラケットに取り付け、ネジを締めます(トルク2 Nm)。
9. カメラのLEDが正しい状態を示しているかを確認します。  
カメラのインストールガイドを参照してください。
10. ブラケット調整ネジを緩め、カメラを撮影方向に向けます。



- 1 裏蓋
- 2 ネジT20 x4
- 3 壁面取付ブラケット
- 4 ブラケット調節ネジT30

11. ビデオストリームを表示する方法については、カメラのインストールガイドまたは [www.axis.com/techsup](http://www.axis.com/techsup) を参照してください。

**注記**

ハウジングを閉じるときに、ケーブルを挟まないよう注意してください。

12. ハウジングを閉じます。裏蓋ネジを数回ずつ回し、すべてのネジが締まるまでこれを繰り返します (トルク 1.5 Nm)。これにより、裏蓋のガスケットに均等に力が掛かります。

## 関連情報

Axisラーニングセンター ([www.axis.com/academy](http://www.axis.com/academy)) にアクセスしてください。役に立つトレーニング、ウェブセミナー、チュートリアル、ガイドをご用意しています。

### 保証情報

Axisの製品保証と関連情報については、[www.axis.com/warranty/](http://www.axis.com/warranty/)をご覧ください



