

INSTALLATION GUIDE

AXIS T90C10 Fixed Dome IR-LED

AXIS T90C20 Fixed Dome IR-LED

ENGLISH

FRANÇAIS

DEUTSCH

ITALIANO

ESPAÑOL

Legal Considerations

Video and audio surveillance can be prohibited by laws that vary from country to country. Check the laws in your local region before using this product for surveillance purposes.


Electromagnetic Compatibility (EMC)

This equipment has been designed and tested to fulfill applicable standards for:

- Radio frequency emission when installed according to the instructions and used in its intended environment.
- Immunity to electrical and electromagnetic phenomena when installed according to the instructions and used in its intended environment.

USA – This equipment has been tested using a shielded network cable (STP) and found to comply with the limits for a Class B digital device, pursuant to part 15 of the FCC Rules. These limits are designed to provide reasonable protection against harmful interference in a residential installation. This equipment generates, uses and can radiate radio frequency energy and, if not installed and used in accordance with the instructions, may cause harmful interference to radio communications. However, there is no guarantee that interference will not occur in a particular installation. If this equipment does cause harmful interference to radio or television reception, which can be determined by turning the equipment off and on, the user is encouraged to try to correct the interference by one or more of the following measures:

- Reorient or relocate the receiving antenna.
- Increase the separation between the equipment and receiver.
- Connect the equipment into an outlet on a circuit different from that to which the receiver is connected.
- Consult the dealer or an experienced radio/TV technician for help.

Europe –  This digital equipment fulfills the requirements for RF emission according to the Class B limit of EN 55022.

This product fulfills the requirements for immunity according to EN 55024 office and commercial environments.

Canada – This Class B digital apparatus complies with Canadian ICES-003.

Australia – This digital equipment fulfills the requirements for RF emission according to the Class B limit of AS/NZS CISPR 22.

Japan – この装置は、クラスB 情報技術装置です。この装置は、家庭環境で使用することを目的としていますが、この装置がラジオやテレビジョン受信機に近接して使用されると、受信障害を引き起こすことがあります。取扱説明書に従って正しい取り扱いをして下さい。

Korea – 이 기기는 가정용(B급) 전자파적합기로서 주로 가정에서 사용하는 것을 목적으로 하며, 모든 지역에서 사용할 수 있습니다.

Safety

This product complies to EN/IEC 60950-1 and EN/IEC 60950-22, Safety of Information Technology Equipment. The power supply used with this product shall fulfill the requirements for Safety Extra Low Voltage and Limited Power Source according to EN/IEC/UL 60950-1.

Equipment Modifications

This equipment must be installed and used in strict accordance with the instructions given in the user documentation. This equipment contains no user-serviceable components. Unauthorized equipment changes or modifications will invalidate all applicable regulatory certifications and approvals.

Liability

Every care has been taken in the preparation of this document. Please inform your local Axis office of any inaccuracies or omissions. Axis Communications AB cannot be held responsible for any technical or typographical errors and reserves the right to make changes to the product and documentation without prior notice. Axis Communications AB makes no warranty of any kind with regard to the material contained within this document, including, but not limited to, the implied warranties of merchantability and fitness for a particular purpose. Axis Communications AB shall not be liable nor responsible for incidental or consequential damages in connection with the furnishing, performance or use of this material. This product is only to be used for its intended purpose.

RoHS

This product complies with both the European RoHS directive, 2002/95/EC, and the Chinese RoHS regulations, ACEPIP.



WEEE Directive

The European Union has enacted a Directive 2002/96/EC on Waste Electrical and Electronic Equipment (WEEE Directive). This directive is applicable in the European Union member states. The WEEE marking on this product (see right) or its documentation indicates that the product must not be disposed of together with household waste. To prevent possible harm to human health and/or the environment, the product must be disposed of in an approved and environmentally safe recycling process. For further information on how to dispose of this product correctly, contact the product supplier, or the local authority responsible for waste disposal in your area. Business users should contact the product supplier for information on how to dispose of this product correctly. This product should not be mixed with other commercial waste.



Support

Should you require any technical assistance, please contact your Axis reseller. If your questions cannot be answered immediately, your reseller will forward your queries through the appropriate channels to ensure a rapid response. If you are connected to the Internet, you can:

- download user documentation and firmware updates
- find answers to resolved problems in the FAQ database. Search by product, category, or phrases
- report problems to Axis support by logging in to your private support area
- chat with Axis support staff (selected countries only)
- visit Axis Support at www.axis.com/techsup/

Safeguards

Please read through this Installation Guide carefully before installing the Axis product. Keep the Installation Guide for further reference.

NOTICE

- Store the Axis product in a dry and ventilated environment.
- Avoid exposing the Axis product to vibration, shocks or heavy pressure. Do not install the product on unstable brackets, unstable or vibrating surfaces or walls, since this could cause damage to the product.
- Only use applicable tools when installing the Axis product; excessive force could cause damage to the product.
- Do not use chemicals, caustic agents, or aerosol cleaners. Use a damp cloth for cleaning.
- Use only accessories that comply with technical specification of the product. These can be provided by Axis or a third party.
- Use only spare parts provided by or recommended by Axis.
- Do not attempt to repair the product by yourself, contact Axis or your Axis reseller for service matters.

Important

- This Axis product shall be used in compliance with local laws and regulations.
- To use this Axis product outdoors, it shall be installed in an approved outdoor housing.
- The Axis product should be installed by a trained professional. Observe relevant national and local regulations for the installation.

Transportation

NOTICE

- When transporting the Axis product, use the original packaging or equivalent to prevent damage to the product.

AXIS T90C10/T90C20 Fixed Dome IR-LED Installation Guide

This guide provides instructions for installing the AXIS T90C10/ AXIS T90C20 IR-LED with the following fixed dome cameras:

- AXIS P3343-VE
- AXIS P3344-VE
- AXIS P3346-VE

To install the camera, refer to the installation guide supplied with the product.

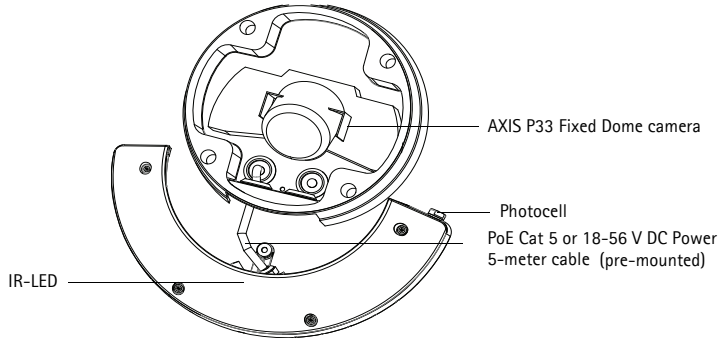
The contents of this guide are as follows:

1. *Package Contents*. See below.
2. *Installation*, on page 8.
3. *Specifications*, on page 12.

Package Contents

Item	Models/variants/notes
Lighting Module	PoE Cat 5 cable (for AXIS T90C20 Fixed Dome IR-LED) 18-56V DC Power Control cable (for AXIS T90C10 IR-LED)
Printed materials	AXIS T90C10/T90C20 Fixed Dome IR-LED Installation Guide (this document)

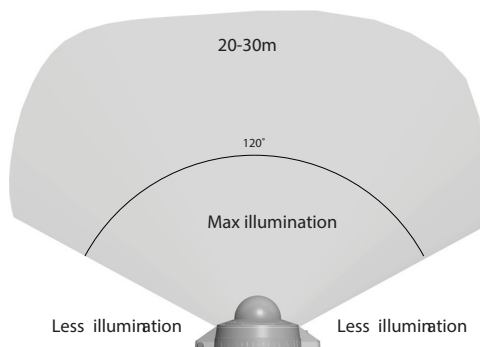
Hardware Overview



Specifications subject to change without notice. Installation to be carried out by trained and qualified personnel.

Recommendations

This Axis product is delivered with the LED block facing the front and this positioning is appropriate for most installations; it is however possible to move the LED block to face other directions. See page 10.

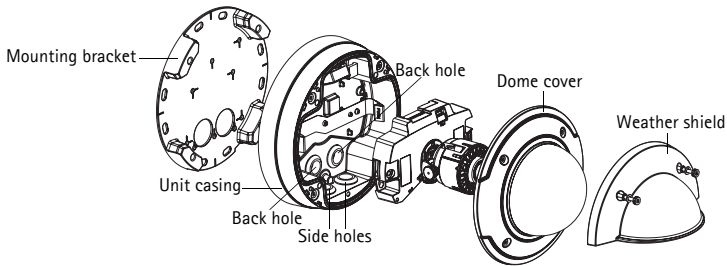


Note: Use screws appropriate for your wall material.

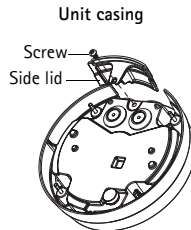
Installation

Notes:

- When the IR-LED is installed, the camera cables can only be routed through the wall (not along the wall).
- The IR-LED is controlled by the level of ambient light which is detected by the unit's photocell. Ensure that the photocell is not obstructed or covered.



1. If the camera is already installed, disconnect power from the camera; remove the weather shield, and the dome cover on the camera; remove the unit casing from the mounting bracket; detach the camera unit.
If the camera is not already installed, attach the mounting bracket to the wall. Please check the camera's installation guide for this and further installation procedures.
2. Remove the side lid from the unit casing; save the screw.

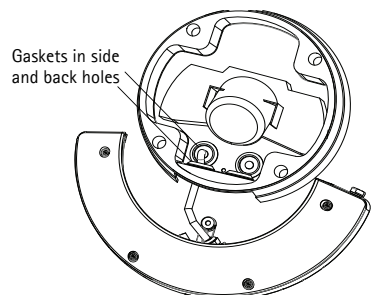


If the camera lens is to face right or left, please read the information on page 10 before you proceed.

3. Remove the gasket from one of the side holes and from the corresponding back hole in the unit casing, for cabling. (The cable for the IR-LED should enter the hole to the left in the unit casing)

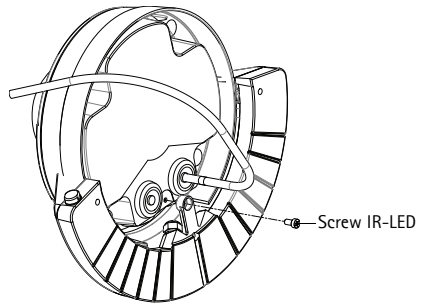
Route the IR-LED cable through the side hole and through the back hole in the unit casing.

4. Force the 2 gaskets on the cable through the side hole.



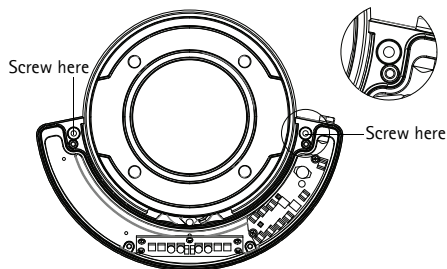
5. Plug the gaskets into the side and back holes. The gaskets should fit snugly in the holes with no folds or bends.
6. Place the IR-LED beneath the unit casing aligning the screw hole on the back of the IR-LED with the screw hole in the unit casing; screw the IR-LED on to the unit casing with the single screw.
7. Attach the unit casing to the mounting bracket.

Back view



8. For vandal-resistant installation do the following:
 - a. Detach the cover on the IR-LED.
 - b. Screw the IR-LED to the wall with 2 screws.
 - c. Replace the cover after ensuring the gasket is in place.

Front view



9. Connect the network cable from the IR-LED to the PoE switch or midspan (AXIS T90C20); or connect the DC cable to the PSU (AXIS T90C10).
10. To complete the camera installation please refer to the installation guide provided with the network camera.

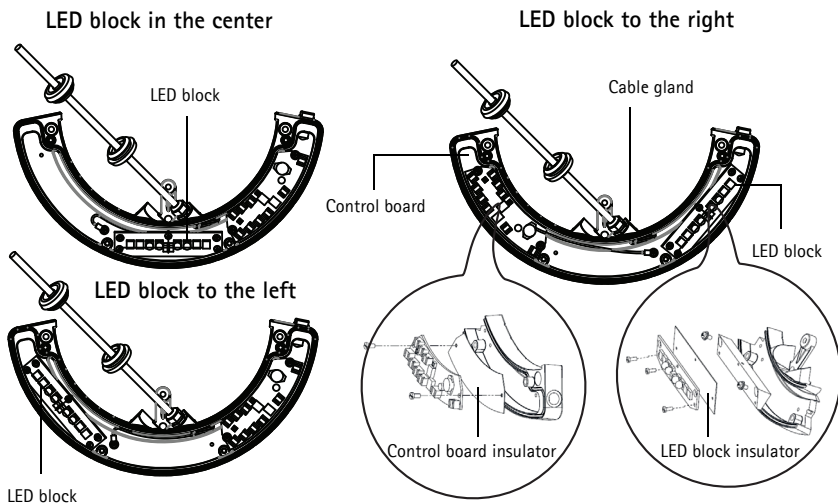
AXIS T90C20

When camera lens faces left

1. Remove the 3 screws located on the LED block. Detach the LED block from the mounting block and separate the LED block insulator from the LED block.
2. Unscrew the ground wire from the screw hole to the left and attach to a screw hole to the right.
3. Remove 2 screws from the mounting block and place it to the left, fasten the 2 screws again.
4. Mount the LED block insulator between the LED block and the mounting block. Align the LED block with the screw holes to the left and fasten the 3 screws again.

When camera lens faces right

1. Remove the 3 screws located on the LED block. Detach the LED block from the mounting block and separate the LED block insulator from the LED block.
2. Unscrew the ground wire from the screw hole to the left and attach to a screw hole to the right.
3. Loosen the cable gland and pull a greater length of the cable so it can reach the left side of the IR-LED.
4. Remove 2 screws on the control board, remove the control board together with the control board insulator. Fasten the control board together with the control board insulator to the left.
5. Remove 2 screws from the mounting block and place it to the right, fasten the 2 screws again.
6. Fix the LED block together with the LED block insulator on the mounting block, fasten with the 3 screws.



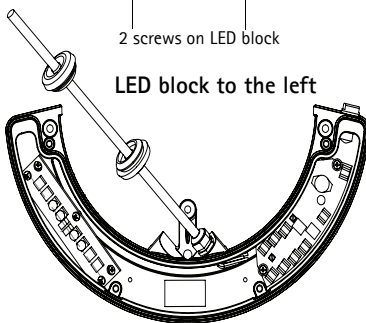
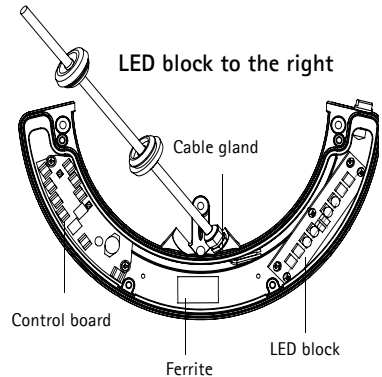
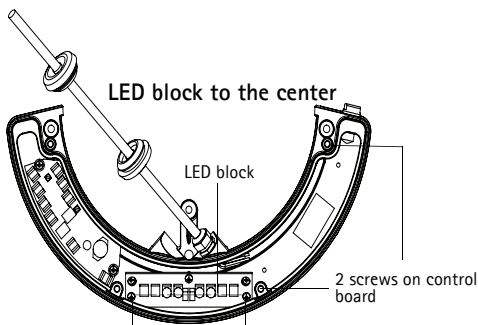
AXIS T90C10

When camera lens faces left

1. Remove 2 screws located on the top on either side of the LED block and detach the LED block.
2. Move the ferrite to the center (see image below).
3. Remove 2 screws on the control board and fasten the control board to the right.
4. Align the LED block with the screw holes to the left and fasten the 2 screws again.

When camera lens faces right

1. Remove 2 screws located on the top on either side of the LED block and detach the LED block.
2. Move the ferrite to the center (see image below).
3. Loosen the cable gland and pull a greater length of the cable so it can reach the left side of the IR-LED.
4. Remove 2 screws on the control board and fasten the control board to the left.
5. Fix the LED block to the right (see image below).



Specifications

AXIS T90C10 IR-LED

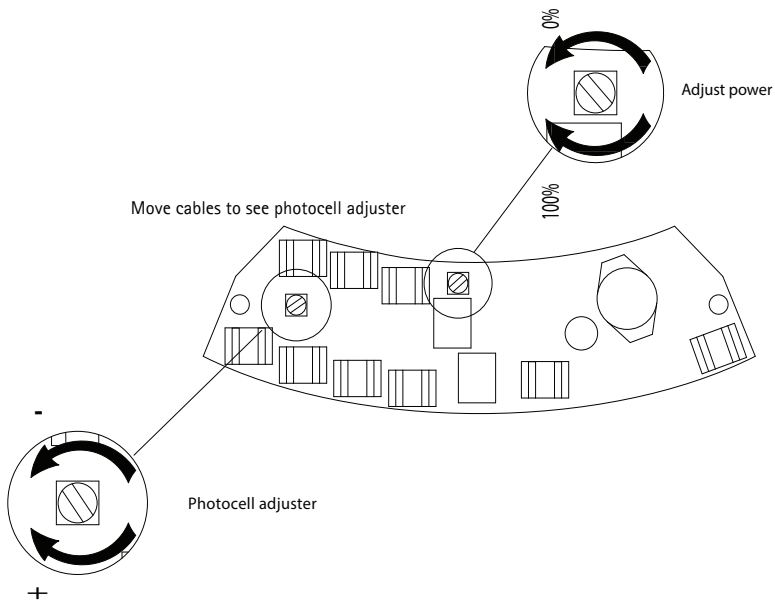
Model	AXIS T90C10 Fixed Dome IR-LED
Power	18 - 56 V DC input, consumption: 13W
Type	850 nm semi-covert
Casing	IP66- and NEMA 4X-rated, impact-resistant aluminium casing and lexan cover
Angle	120°
Maximum illumination distance	20 - 30m (67 - 98 ft) depending on environment and installation
Operating conditions	-40 °C to +55 °C (-40 °F to 131 °F)
Accessories included	Pre-mounted 5 m power cable
Dimensions	130 x 256 x 47 mm (5.1" x 11" x 1.8")
Weight	700 g (1.5 lb.) LB
Optional accessory	Mains adaptor for T90C10

AXIS T90C20 IR-LED

Model	AXIS T90C20 Fixed Dome IR-LED
Power	Power over Ethernet IEEE802.3af; consumption: 13W
Type	850 nm semi-covert
Casing	IP66- and NEMA 4X-rated, impact-resistant aluminium casing and lexan cover
Angle	120°
Maximum illumination distance	20 - 30m (67 - 98ft) depending on environment and installation
Operating conditions	-40 °C to +55 °C (-40 °F to 131 °F)
Accessories included	Pre-mounted 5 m standard CAT 5 network cable
Recommended accessories	AXIS PoE Midspan 1-Port
Dimensions	130 x 256 x 47 mm (5.1" x 11" x 1.8")
Weight	700 g (1.5 lb.) LB

Troubleshooting

Problem	Solution
IR-LED will not turn on	<ul style="list-style-type: none"> • Check RJ45 connector is securely inserted (AXIS T90C20 IR-LED) • Check that supply voltage of PSU is 18-56V DC; ensure correct polarity (AXIS T90C10 IR-LED) • Adjust photocell (+ increases sensitivity; - decreases sensitivity) • Check if photocell is working; cover photocell, LEDs should turn on; if not, please contact Axis.
If the image is too bright	<ul style="list-style-type: none"> • Adjust power (see image below)



Warranty

For information about Axis' product warranty and thereto related information, see www.axis.com/warranty

Mesures de sécurité

Lisez attentivement le présent Guide d'installation avant d'installer le produit Axis. Conservez le Guide d'installation pour une utilisation ultérieure.

AVIS

- Conservez le produit Axis dans un environnement sec et aéré.
- Évitez d'exposer le produit Axis aux vibrations, aux chocs ou à une forte pression. N'installez pas le produit sur un support instable, ou des surfaces ou des murs instables ou vibrants, car cela pourrait l'endommager.
- N'utilisez que les outils applicables pour installer le produit Axis ; une force excessive pourrait endommager le produit.
- Pour le nettoyage, n'utilisez ni produits chimiques, ni substances caustiques ou aérosols. Utilisez un chiffon humide pour le nettoyage.
- N'utilisez que des accessoires conformes aux caractéristiques techniques du produit. Ceux-ci peuvent être fournis par Axis ou par un fournisseur tiers.
- Utilisez uniquement des pièces de rechange fournies ou recommandées par Axis.
- Ne tentez pas de réparer le produit vous-même, contactez Axis ou votre revendeur Axis pour toute réparation.

Important

- Ce produit Axis doit être utilisé conformément aux lois et réglementations locales en vigueur.
- Pour pouvoir être utilisé à l'extérieur, ce produit Axis doit être placé dans un boîtier d'extérieur homologué.
- Le produit Axis doit être installé par un professionnel qualifié. Veuillez vous conformer aux règlements nationaux et locaux relatifs à l'installation.

Transport

AVIS

- Pour transporter le produit Axis et éviter de l'endommager, utilisez l'emballage d'origine ou un emballage équivalent.

Guide d'installation de l'AXIS T90C10/T90C20 DEL infrarouges pour dôme fixe

Vous trouverez dans ce guide les instructions nécessaires à l'installation du système d'éclairage à DEL infrarouges AXIS T90C10 / AXIS T90C20 sur les modèles suivants de caméras à dômes fixes :

- AXIS P3343-VE
- AXIS P3344-VE
- AXIS P3346-VE.

Pour installer la caméra, reportez-vous au guide d'installation fourni avec le produit.

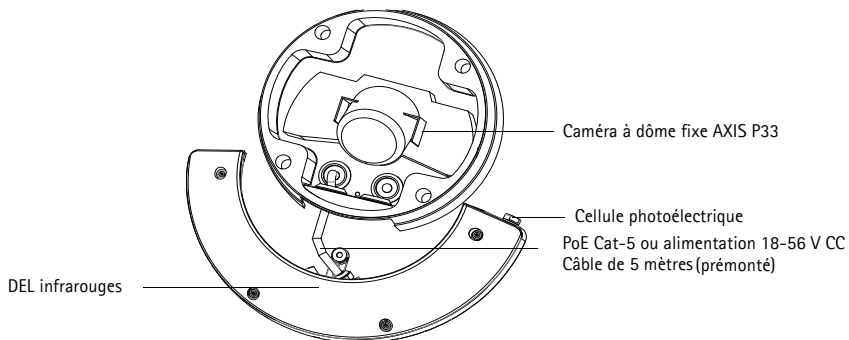
Le guide se présente comme suit :

1. *Contenu de l'emballage*. Voir ci-dessous.
2. *Installation*, à la page 20.
3. *Caractéristiques techniques*, à la page 25.

Contenu de l'emballage

Article	Modèles/variantes/remarques
Module d'éclairage	Câble PoE Cat-5 (pour AXIS T90C20 DEL infrarouges pour dôme fixe) Câble d'alimentation 18-56 V CC (pour AXIS T90C10 DEL infrarouges pour dôme fixe)
Documentation	Guide d'installation de l'AXIS T90C10/T90C20 DEL infrarouges pour dôme fixe (le présent document)

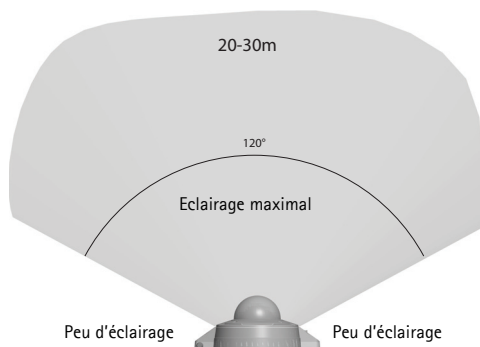
Présentation du matériel



Les spécifications sont susceptibles d'être modifiées sans préavis.
L'installation doit être effectuée par du personnel formé et qualifié.

Recommandations

Ce produit Axis est livré avec le bloc à DEL orienté vers l'avant. Ce positionnement est approprié pour la plupart des installations. Il est cependant possible de déplacer ce bloc pour l'orienter dans d'autres directions. Reportez-vous à la page 23.

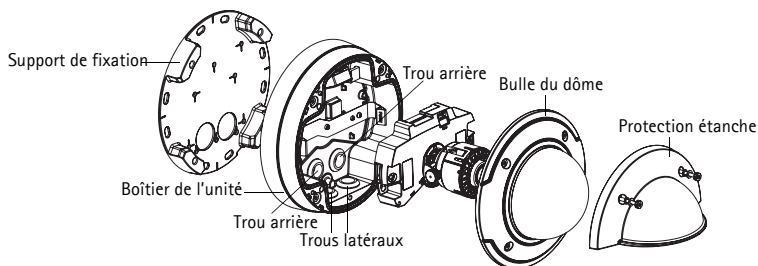


Note: Utilisez des vis adaptées au matériau de votre mur.

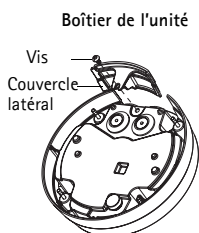
Installation

Remarques :

- Après l'installation des DEL infrarouges, les câbles de la caméra peuvent seulement être acheminés à travers le mur (pas le long du mur).
- L'éclairage par DEL infrarouges est contrôlé par le niveau de lumière ambiante détecté via la cellule photoélectrique de l'unité. Assurez-vous que cette cellule n'est ni obstruée ni couverte.



1. Si la caméra est déjà installée, mettez-la hors tension, retirez la protection étanche et la bulle du dôme. Retirez ensuite le boîtier de l'unité du support mural et détachez la caméra. Si la caméra n'est pas encore installée, fixez le support de fixation au mur. Reportez-vous au guide d'installation de la caméra à ce sujet et pour en savoir plus sur les procédures d'installation.
2. Retirez le couvercle latéral du boîtier de l'unité et mettez la vis de côté.



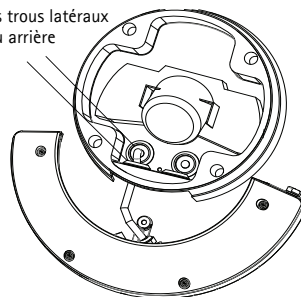
Si l'objectif de la caméra doit être orienté vers la droite ou la gauche, veuillez lire les informations figurant à la page 23 avant toute manipulation.

3. Retirez le joint de l'un des trous latéraux ainsi que celui du trou arrière correspondant sur le boîtier de l'unité en vue du câblage. (le câble du module à DEL infrarouges doit pénétrer dans le boîtier de l'unité par le trou à gauche)

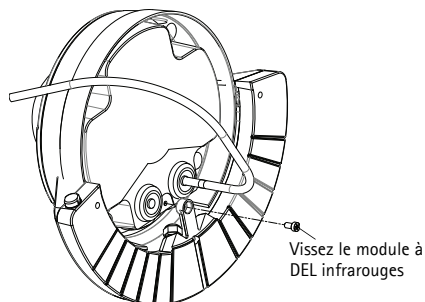
Faites passer le câble du module à DEL infrarouges par le trou latéral, puis dans le trou arrière du boîtier de l'unité.

4. Insérez les 2 joints sur le câble par le trou latéral.
5. Fixez les joints dans les trous latéraux et arrière. Les joints doivent être parfaitement ajustés aux trous, sans plis ni courbures.
6. Placez le module à DEL infrarouges sous le boîtier de l'unité en alignant le trou de vis situé à l'arrière du module à DEL infrarouges avec le trou de vis situé sur le boîtier de l'unité. Vissez le module à DEL infrarouges sur le boîtier de l'unité à l'aide de la vis unique.
7. Fixez le boîtier de l'unité au support de fixation.

Joint des trous latéraux et du trou arrière

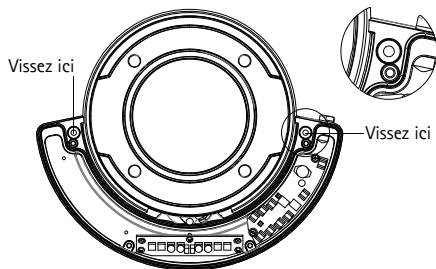


Vue arrière



8. Pour les installations résistant au vandalisme, procédez comme suit :
 - a. Détachez le couvercle du module à DEL infrarouges.
 - b. Vissez ce module au mur à l'aide de 2 vis.
 - c. Remettez le couvercle en place en vous assurant que le joint est bien positionné.

Vue de face



9. Connectez le câble réseau du module à DEL infrarouges au commutateur ou à l'injecteur PoE (AXIS T90C20), ou raccordez le câble CC au bloc d'alimentation (AXIS T90C10).
10. Pour terminer l'installation de la caméra, reportez-vous au guide d'installation fourni avec la caméra réseau.

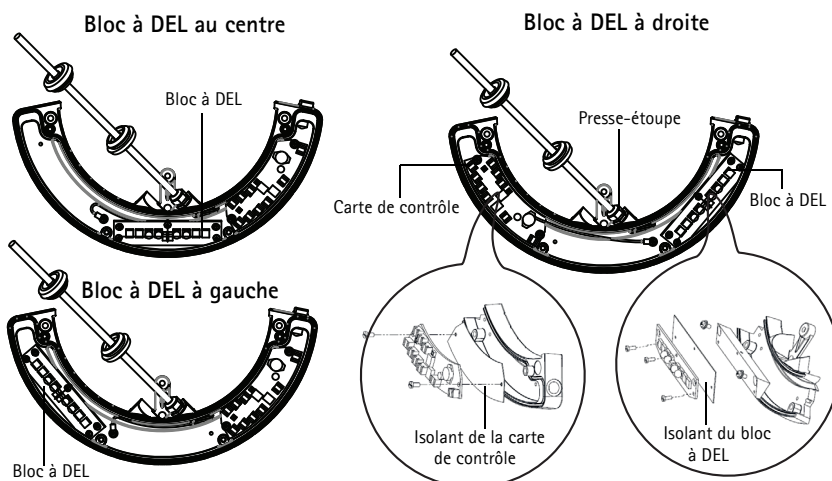
AXIS T90C20

Lorsque l'objectif de la caméra est orienté vers la gauche

1. Retirer les 3 vis situées sur le bloc à DEL. Détachez le bloc à DEL du bloc support et séparez le bloc isolant du bloc à DEL.
2. Dévissez la vis du fil de terre à gauche et fixez le sur la vis de droite.
3. Retirez les 2 vis du bloc support et placez le sur la gauche, serrez les 2 vis à nouveau.
4. Montez le bloc isolant entre le bloc à DEL et le bloc support. Alignez le bloc à DEL avec le trou des vis à gauche et serrez à nouveau les 3 vis.

Lorsque l'objectif de la caméra est orienté vers la droite

1. Retirer les 3 vis situées sur le bloc à DEL. Détachez le bloc à DEL du bloc support et séparez le bloc isolant du bloc à DEL.
2. Dévissez la vis du fil de terre à gauche et fixez le sur la vis de droite.
3. Desserrez le presse-étoupe et tirez une plus grande longueur de câble de manière à atteindre le côté gauche du module à DEL infrarouges.
4. Retirez 2 vis de la carte de contrôle, retirez la carte de contrôle et l'isolant de la carte. Fixez la carte de contrôle avec l'isolant de la carte sur la gauche.
5. Retirez 2 vis du bloc support et placez le sur la droite, serrez les 2 vis à nouveau.
6. Fixez le bloc à DEL avec l'isolant du bloc à DEL sur le bloc support, serrez avec les 3 vis.



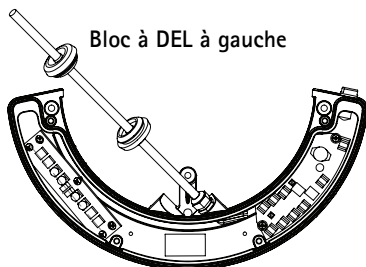
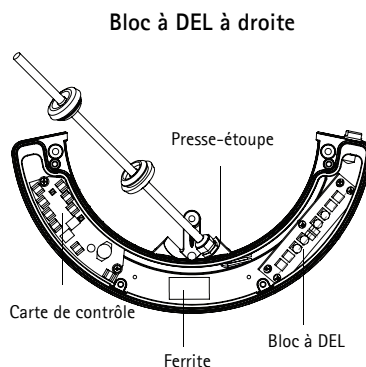
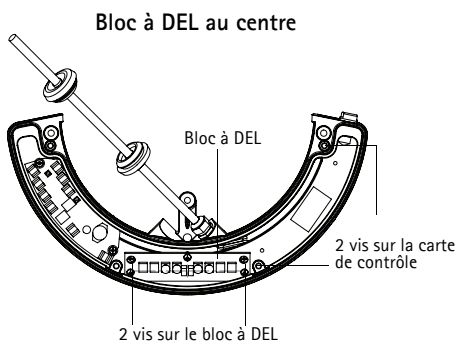
AXIS T90C10

Lorsque l'objectif de la caméra est orienté vers la gauche

1. Retirer les 2 vis situées sur le dessus de chaque côté du bloc de LED et de détacher le bloc de LED.
2. Déplacer la ferrite au centre (voir image ci-dessous).
3. Retirer les 2 vis de la carte de contrôle et fixer la carte de contrôle vers la droite.
4. Aligner le bloc de LED avec les trous de vis vers la gauche et fixer les 2 vis.

Lorsque l'objectif de la caméra est orienté vers la droite

1. Retirer les 2 vis situées sur le dessus de chaque côté du bloc de LED et de détacher le bloc de LED.
2. Déplacer la ferrite au centre (voir image ci-dessous).
3. Desserrez le presse-étoupe et tirez une plus grande longueur de câble de manière à atteindre le côté gauche du module à DEL infrarouges.
4. Retirez les 2 vis situées sur la carte de contrôle et fixez cette dernière sur la gauche.
5. Fixez le bloc à DEL sur la droite (voir image ci-dessous).



Caractéristiques techniques

AXIS T90C10 DEL infrarouges pour dôme fixe

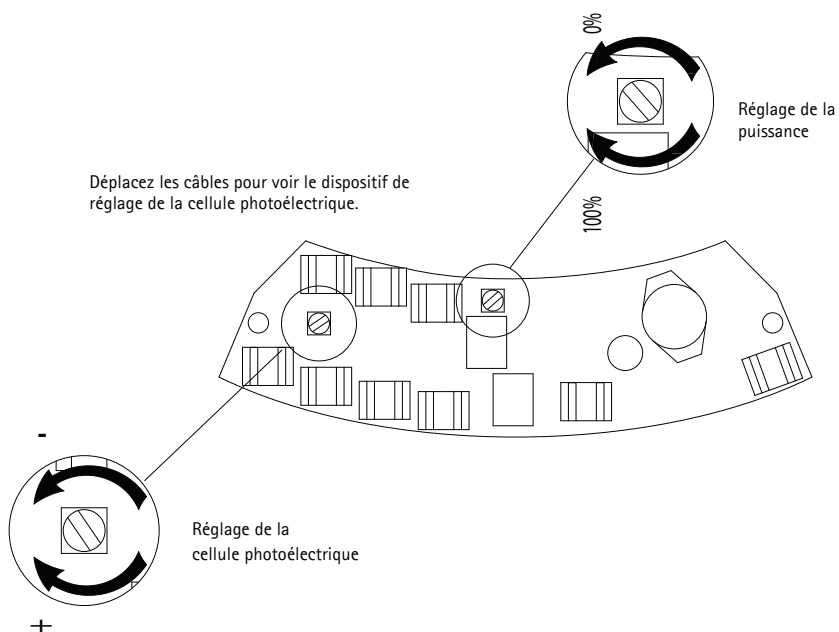
Modèle	AXIS T90C10 DEL infrarouges pour dôme fixe
Alimentation	Entrée 18 - 56 V CC, consommation : 13 W
Type	850 nm, application semi-couverte
Boîtier	Boîtier aluminium et couvercle lexan, certifiés IP66, NEMA 4X, résistants aux chocs
Angle	120°
Distance maximum d'éclairage	20 à 30 m (67 à 98 pieds) selon l'environnement et l'installation
Conditions d'utilisation	-40 à +55 °C (-40 à 131 °F)
Accessoires inclus	Câble d'alimentation prémonté de 5 m
Dimensions	130 x 256 x 47 mm (5,1 x 11 x 1,8 po)
Poids	700 g (1,5 lb) LB
Accessoire en option	Adaptateur secteur pour T90C10

AXIS T90C20 à DEL infrarouges

Modèle	AXIS T90C20 DEL infrarouges pour dôme fixe
Alimentation	Alimentation par Ethernet IEEE802.3af. Consommation : 13 W
Type	850 nm, application semi-couverte
Boîtier	Boîtier aluminium et couvercle lexan, certifiés IP66, NEMA 4X, résistants aux chocs
Angle	120°
Distance maximum d'éclairage	20 à 30 m (67 à 98 pieds) selon l'environnement et l'installation
Conditions d'utilisation	-40 à +55 °C(-40 à 131 °F)
Accessoires inclus	Câble réseau standard CAT-5 prémonté de 5 m
Accessoires recommandés	Injecteur PoE AXIS à 1 port
Dimensions	130 x 256 x 47 mm (5,1 x 11 x 1,8 po)
Poids	700 g (1,5 lb) LB

Dépannage

Problème	Solution
Le module à DEL infrarouges ne s'allume pas.	<ul style="list-style-type: none"> • Vérifiez que le connecteur RJ45 est correctement inséré. (AXIS T90C20 à DEL infrarouges) • Vérifiez que le bloc d'alimentation est bien sous une tension de 18-56 V CC. Vérifiez la polarité (AXIS T90C10 DEL infrarouges pour dôme fixe). • Réglez la cellule photoélectrique (+ pour augmenter la sensibilité et - pour la diminuer). • Vérifiez si la cellule photoélectrique fonctionne. Couvrez la cellule : les DEL doivent s'allumer. Si ce n'est pas le cas, veuillez contacter Axis.
Si l'image est trop claire.	Réglez l'alimentation (voir l'image ci-dessous).



Garantie

Pour plus d'informations sur la garantie des produits Axis et des informations générales relatives à celle-ci de consulter le site www.axis.com/warranty

Sicherheitsvorkehrungen

Bitte lesen Sie diese Installationsanleitung sorgfältig durch, bevor Sie mit der Installation des Axis Produkts beginnen. Halten Sie die Installationsanleitung bereit, falls Sie darauf zurückgreifen müssen.

HINWEIS

- Lagern Sie das Axis-Produkt in einer trockenen und belüfteten Umgebung.
- Setzen Sie das Axis Produkt keinen Vibrationen, Erschütterungen oder starkem Druck aus. Installieren Sie das Produkt nicht an instabilen Halterungen oder instabilen oder vibrierenden Oberflächen oder Mauern, da dadurch das Produkt beschädigt werden könnte.
- Verwenden Sie bei der Installation des Axis Produkts nur geeignetes Werkzeug; zu hoher Kraftaufwand kann das Produkt beschädigen.
- Verwenden Sie keine chemischen, ätzenden oder aerosolhaltigen Reinigungsmittel. Verwenden Sie zur Reinigung ein feuchtes Tuch.
- Verwenden Sie nur Zubehör, das den technischen Spezifikationen des Produkts entspricht. Dieses ist von Axis oder Drittanbietern erhältlich.
- Verwenden Sie nur Ersatzteile, die von Axis empfohlen bzw. bereitgestellt wurden.
- Versuchen Sie nicht, das Produkt selbst zu reparieren. Wenden Sie sich bei Service-Angelegenheiten an Axis oder an Ihren Axis-Händler.

Wichtig

- Verwenden Sie dieses Axis-Produkt unter Beachtung der vor Ort geltenden rechtlichen Bestimmungen.
- Um dieses Axis-Produkt im Freien verwenden zu können, muss es in einem zugelassenen Außengehäuse installiert werden.
- Das Axis Produkt sollte nur von geschultem Fachpersonal installiert werden. Beachten Sie bei der Montage die geltenden nationalen und lokalen Bestimmungen.

Transport

HINWEIS

- Transportieren Sie das Axis-Produkt nur in der Originalverpackung bzw. in einer vergleichbaren Verpackung, damit das Produkt nicht beschädigt wird.

AXIS T90C10/T90C20 Fixed-Dome IR-LED Installationsanleitung

In dieser Anleitung wird die Anbringung des AXIS T90C10/ AXIS T90C20 IR-LED-Strahlers an folgende unbewegliche Dome-Kameras beschrieben:

- AXIS P3343-VE
- AXIS P3344-VE
- AXIS P3346-VE.

Anweisungen zur Installation der Kamera finden Sie in der Installationsanleitung zu Ihrer Kamera.

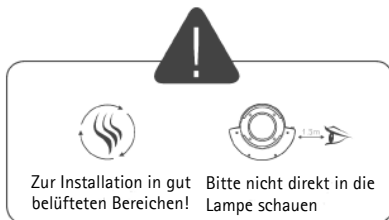
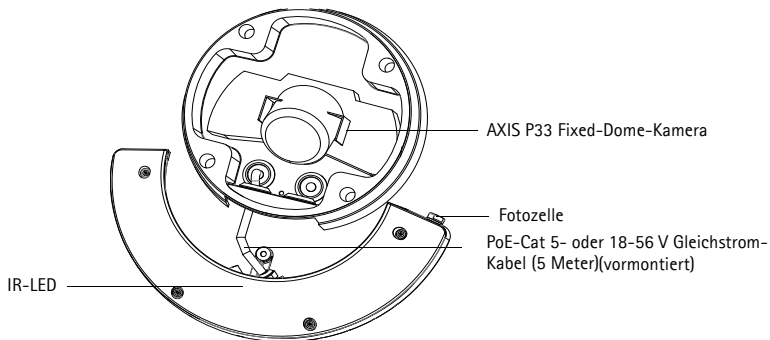
In der Anleitung werden folgende Themen behandelt:

1. *Lieferumfang*. Siehe unten.
2. *Installation*, auf Seite 32.
3. *Spezifikationen*, auf Seite 38.

Lieferumfang

Komponente	Modelle/Varianten/Anmerkungen
Beleuchtungsmodul	PoE-Cat 5-Kabel (für AXIS T90C20 Fixed-Dome-IR-LED) 18-56 V Gleichstrom-Steuerkabel (für AXIS T90C10 IR-LED)
Gedruckte Dokumente	AXIS T90C10/T90C20 Fixed-Dome IR-LED Installationsanleitung (dieses Dokument)

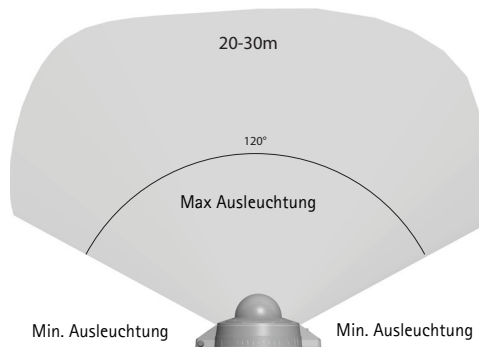
Hardwareübersicht



Die Spezifikationen können jederzeit ohne Vorankündigung geändert werden.
Die Installation darf nur von geschulten und qualifizierten Mitarbeitern durchgeführt werden.

Empfehlungen

Der im Axis Produktpaket enthaltene LED-Block ist nach vorne ausgerichtet. Diese Position eignet sich für die meisten Installationen. Sie können den LED-Block jedoch auch in andere Positionen ausrichten. Siehe Seite 35.

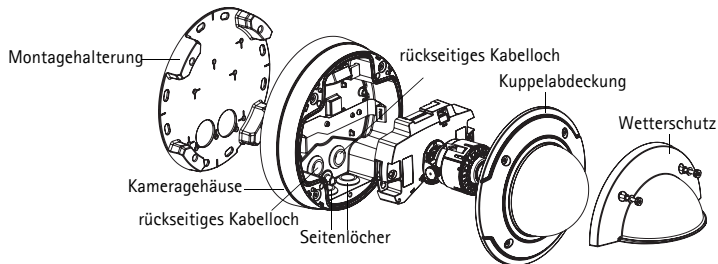


Hinweis: Verwenden Sie Schrauben, die für das Wandmaterial geeignet sind.

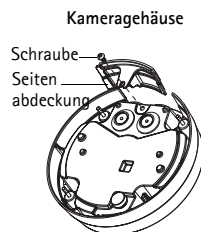
Installation

Hinweise:

- Wenn der IR-LED-Strahler montiert ist, können die Kamerakabel nur durch und nicht entlang der Wand verlegt werden.
- Der IR-LED-Strahler wird durch das Umgebungslicht gesteuert, das von der Fotozelle des Geräts erkannt wird. Stellen Sie daher sicher, dass die Fotozelle nicht blockiert oder abgedeckt wird.



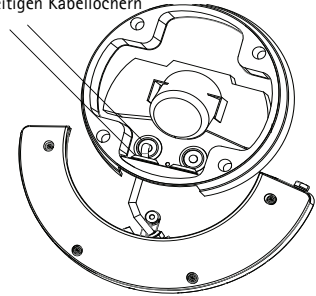
1. Wenn die Kamera bereits montiert ist, trennen Sie die Kamera von der Stromversorgung. Entfernen Sie den Wetterschutz und die Kuppelabdeckung der Kamera. Nehmen Sie anschließend das Kameragehäuse aus der Montagehalterung und die Kameraeinheit aus dem Gehäuse heraus.
Wenn die Kamera noch nicht installiert wurde, befestigen Sie die Montagehalterung an der Wand. Anweisungen hierzu und weitere Informationen finden Sie in der Installationsanleitung zu Ihrer Kamera.
2. Entfernen Sie die Seitenabdeckung des Kameragehäuses. Legen Sie die Schrauben beiseite und heben Sie sie auf.



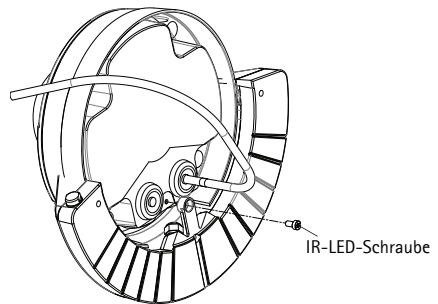
Wenn das Kameraobjektiv nach rechts oder links ausgerichtet sein sollte, lesen Sie zunächst die Informationen auf Seite 35, bevor Sie fortfahren.

3. Entfernen Sie zur Verkabelung die Dichtung aus einem Seitenloch und dem entsprechenden rückseitigen Kabelloch des Kameragehäuses. (Das Kabel des IR-LED-Strahlers muss durch das linke rückseitige Kabelloch im Kameragehäuse geführt werden).
Führen Sie das IR-LED-Kabel durch das seitliche und rückseitige Kabelloch im Kameragehäuse.
4. Führen Sie die beiden Kabeldichtungen durch das seitliche Kabelloch.
5. Drücken Sie die Dichtungen in das seitliche und rückseitige Kabelloch. Die Dichtungen müssen ohne Falten oder Krümmungen fest in den Löchern sitzen.
6. Positionieren Sie den IR-LED-Strahler unten am Kameragehäuse und richten Sie das Schraubenloch auf der Rückseite des IR-LED-Strahlers auf das Schraubenloch im Kameragehäuse aus. Befestigen Sie mit der einzelnen Schraube den IR-LED-Strahler am Kameragehäuse.
7. Befestigen Sie das Kameragehäuse an der Montagehalterung.

Dichtungen in den seitlichen und rückseitigen Kabelöffnungen

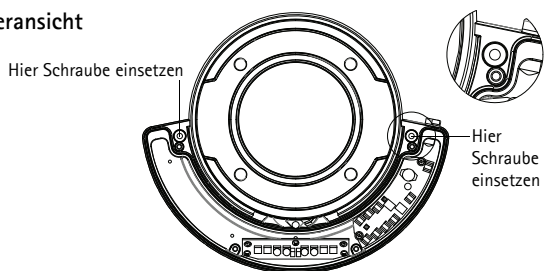


Rückansicht



8. Führen Sie die folgenden Schritte für eine vandalismus-geschützte Installation aus:
 - a. Nehmen Sie die Abdeckung des IR-LED-Strahlers ab.
 - b. Befestigen Sie den IR-LED mit zwei Schrauben an der Wand.
 - c. Stellen Sie sicher, dass die Dichtung korrekt positioniert ist und bringen Sie die Abdeckung wieder an.

Vorderansicht



9. Schließen Sie das Netzkabel am IR-LED und am PoE-Switch bzw. Midspan (AXIS T90C20) an oder verbinden Sie das Gleichstromkabel mit der Stromversorgungseinheit (AXIS T90C10).
10. Schließen Sie die Installation der Kamera gemäß den Anweisungen in der Installationsanleitung zu Ihrer Netzwerk-Kamera ab.

AXIS T90C20

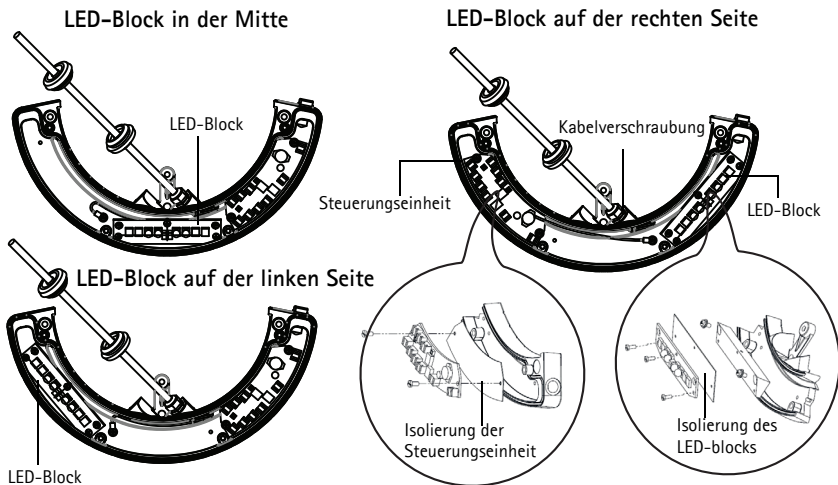
Wenn das Kameraobjektiv nach links zeigt:

1. Entfernen Sie die 3 Schrauben auf dem LED-Block. Entfernen Sie den LED-Block von dem Montageblock und separieren Sie die LED-Block Isolierung von dem LED-Block.
2. Lösen Sie den Erdungsdraht aus dem Schraubenloch links und befestigen Sie ihn an einem Schraubenloch auf der rechten Seite.
3. Entfernen Sie die 2 Schrauben von dem Montageblock und platzieren Sie ihn auf der linken Seite und bringen Sie die beiden Schrauben wieder an.
4. Bringen Sie die LED-Block Isolierung zwischen LED-Block und Montageblock an. Richten Sie den LED-Block an den Schraubenlöchern aus und bringen Sie die 3 Schrauben wieder an.

Wenn das Kameraobjektiv nach rechts zeigt:

1. Entfernen Sie die 3 Schrauben auf dem LED-Block. Entfernen Sie den LED-Block von dem Montageblock und separieren Sie die LED-Block Isolierung von dem LED-Block.
2. Lösen Sie das Erdungsdraht aus dem linken Schraubenloch und befestigen Sie es an einem Schraubenloch rechts.
3. Lösen Sie die Kabelverschraubung und ziehen Sie das Kabel bis zur linken Seite des IR-LED-Strahlers. Lösen Sie die beiden Schrauben auf der Steuerungseinheit und befestigen Sie anschließend die Steuerungseinheit auf der linken Seite. Befestigen Sie den LED-Block mit zwei Schrauben an der ursprünglichen Position der Steuerungseinheit.
4. Entfernen Sie die 2 Schrauben auf der Steuerungseinheit, entfernen Sie die Steuerungseinheit zusammen mit der Isolierung. Befestigen Sie die Steuerungseinheit zusammen mit der Isolierung auf der linken Seite.
5. Entfernen Sie die beiden Schrauben von dem Montageblock und platzieren Sie ihn auf der rechten Seite. Befestigen Sie die beiden Schrauben wieder.

6. Fixieren Sie den LED-Block zusammen mit der LED-Block Isolierung auf dem Montageblock und sichern Sie alles mit den 3 Schrauben.



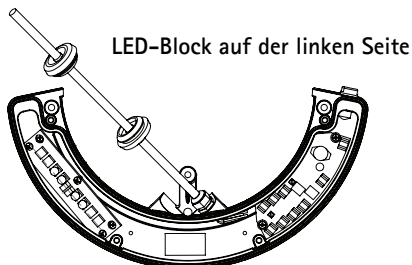
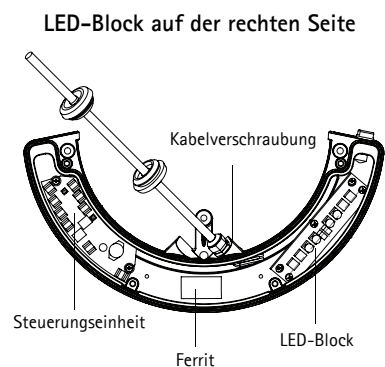
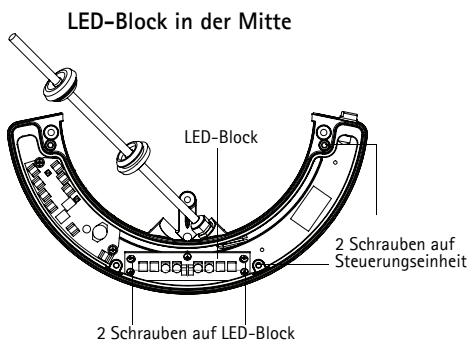
AXIS T90C10

Wenn das Kameraobjektiv nach links zeigt:

1. Entfernen Sie die zwei Schrauben auf beiden Seiten auf dem LED-Block und entfernen danach den LED-Block.
2. Bewegen Sie den Ferrit in die Mitte (siehe Bild unten).
3. Entfernen Sie die 2 Schrauben der Steuerungseinheit und befestigen Sie die Steuerungseinheit auf der rechten Seite.
4. Richten Sie den LED-Block mit den Schraublöchern auf der linken Seite aus und ziehen Sie die 2 Schrauben wieder an.

Wenn das Kameraobjektiv nach rechts zeigt:

1. Entfernen Sie die 2 Schrauben auf beiden Seiten auf dem LED-Block und entfernen danach den LED-Block.
2. Bewegen Sie den Ferrit in die Mitte (siehe Bild unten).
3. Lösen Sie die Kabelverschraubung und ziehend das Kabel nach, damit es die linke Seite des LED-Block erreichen kann.
4. Entfernen Sie die zwei Schrauben der Steuerungseinheit und befestigen Sie die Steuerungseinheit auf der linken Seite.
5. Befestigen Sie den LED-Block auf der rechten Seite (siehe Bild unten).



Spezifikationen

AXIS T90C10 IR-LED

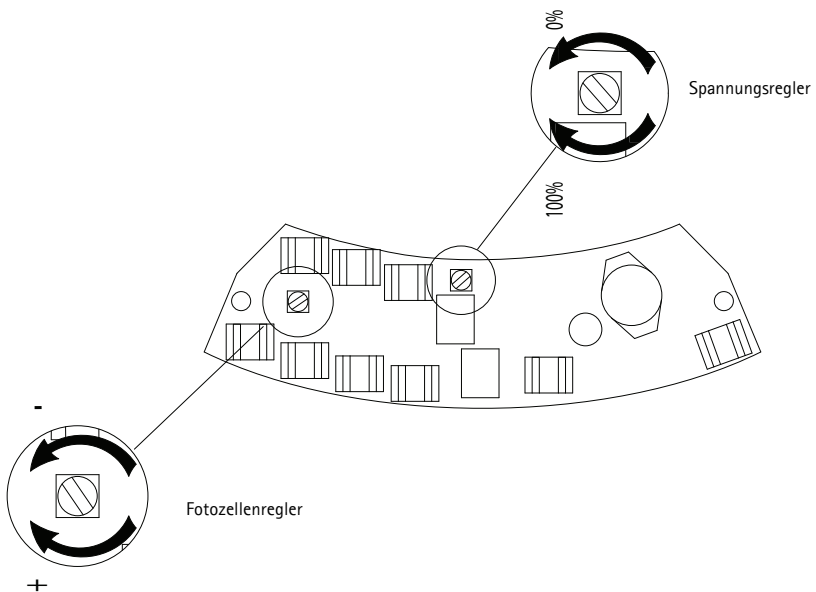
Modell	AXIS T90C10 Fixed-Dome-IR-LED
Betrieb	Netzeingang: 18 - 56 V Gleichstrom, Stromverbrauch: 13 W
Typ	850 nm halb verdeckt
Gehäuse	IP66- und NEMA 4X-zertifiziert, schlagfest Aluminiumgehäuse mit Abdeckung aus Lexan
Winkel	120°
Maximale Beleuchtungsweite	Je nach Umgebung und Installationsart 20 - 30 m
Betriebsbedingungen	-40 °C bis +55 °C
Im Lieferumfang enthaltenes Zubehör	Vormontiertes Netzkabel (5 m)
Abmessungen	130 x 256 x 47 mm
Gewicht	700 g
Optionales Zubehör	Netzteil für T90C10

AXIS T90C20 IR-LED

Modell	AXIS T90C20 Fixed-Dome-IR-LED
Betrieb	Power over Ethernet IEEE802.3af; Stromverbrauch: 13 W
Typ	850 nm halb verdeckt
Gehäuse	IP66- und NEMA 4X-zertifiziert, schlagfest Aluminiumgehäuse mit Abdeckung aus Lexan
Winkel	120°
Maximale Beleuchtungsweite	Je nach Umgebung und Installationsart 20 - 30 m
Betriebsbedingungen	-40 °C bis +55 °C
Im Lieferumfang enthaltenes Zubehör	Vormontiertes Standard-CAT 5-Netzwerkkabel (5 m)
Empfohlenes Zubehör	AXIS PoE-Midspan 1 Anschluss
Abmessungen	130 x 256 x 47 mm
Gewicht	700 g

Fehlerbehebung

Problem	Lösung
IR-LED-Strahler schaltet sich nicht ein	<ul style="list-style-type: none"> • Vergewissern Sie sich, dass der RJ45-Stecker sicher eingesteckt ist (AXIS T90C20 IR-LED) • Stellen Sie sicher, dass die SVE 18 bis 56 V Gleichstrom liefert und die richtige Polarität eingestellt ist (AXIS T90C10 IR-LED) • Stellen Sie die Fozozelle ein (+ erhöht die Empfindlichkeit; - verringert die Empfindlichkeit) • Prüfen Sie, ob die Fozozelle funktioniert. Verdecken Sie die Fozozelle: Die LEDs sollten sich jetzt einschalten. Ist dies nicht der Fall, wenden Sie sich an Axis.
Das Bild ist zu hell	Passen Sie die Spannung an (siehe Abbildung unten)



Garantie

Die Garantiebedingungen für Axis Produkte sowie weitere Informationen zum Thema Garantie finden Sie unter www.axis.com/warranty

Sicurezza

Leggere attentamente questa Guida all'installazione prima di installare un prodotto Axis. Conservare la Guida all'installazione per ulteriori riferimenti.

AVVISO

- Conservare il prodotto Axis in un ambiente asciutto e ben ventilato.
- Evitare di esporre il prodotto Axis alle vibrazioni, agli urti o a forte pressione. Non installare il prodotto su staffe instabili, superfici o pareti instabili o vibranti, poiché ciò potrebbe danneggiare il prodotto.
- Utilizzare solo strumenti idonei quando si installa il prodotto Axis. Una forza eccessiva potrebbe danneggiare il prodotto.
- Non utilizzare sostanze chimiche, agenti caustici o detergenti spray. Utilizzare un panno umido per la pulizia.
- Utilizzare solo accessori conformi con le specifiche tecniche del prodotto. Queste possono essere fornite da Axis o da terze parti.
- Utilizzare solo parti di ricambio fornite o raccomandate da Axis.
- Non tentare di riparare il prodotto da soli, contattare Axis o il rivenditore di zona Axis per assistenza.

Importante

- Questo prodotto Axis deve essere utilizzato in conformità alle leggi e alle disposizioni locali.
- Per utilizzare questo prodotto Axis all'esterno, è necessario installarlo in un alloggiamento per esterni approvato.
- Il prodotto Axis deve essere installato da un tecnico qualificato. Osservare le disposizioni nazionali e locali per l'installazione.

Trasporto

AVVISO

- Quando si trasporta il prodotto Axis, utilizzare l'imballo originale o un imballo equivalente per evitare di danneggiare il prodotto.

LED IR per telecamere a cupola fisse AXIS T90C10/T90C20

Questa guida fornisce le istruzioni per installare il LED IR per AXIS T90C10/ AXIS T90C20 con le seguenti telecamere fisse a cupola:

- AXIS P3343-VE
- AXIS P3344-VE
- AXIS P3346-VE.

Per installare la telecamera, fare riferimento alla guida all'installazione fornita con il prodotto.

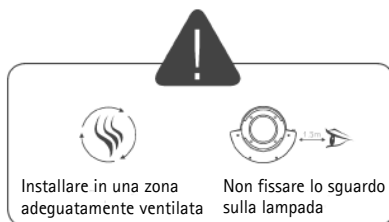
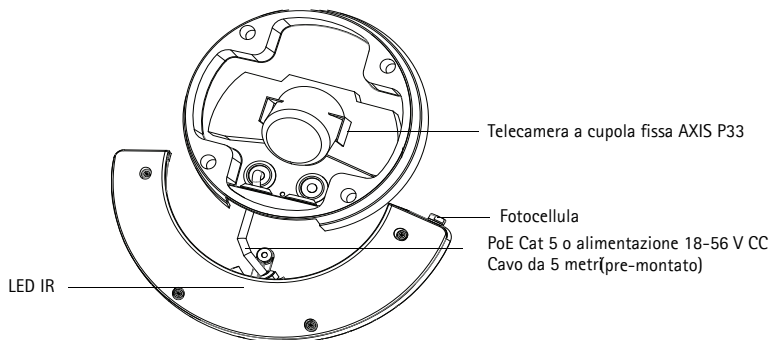
La guida fornisce informazioni sui seguenti argomenti:

1. *Contenuto della confezione.* Vedere di seguito.
2. *Installazione,* a pagina 46.
3. *Specifiche,* a pagina 52.

Contenuto della confezione

Elemento	Modelli/varianti/note
Modulo di illuminazione	Cavo PoE Cat 5 (per LED IR per cupola fissa AXIS T90C20) Cavo di controllo alimentazione 18-56V CC (per LED IR per AXIS T90C10)
Materiali stampati	Guida all'installazione per telecamere a cupola fisse AXIS T90C10/T90C20 (questo documento)

Panoramica dell'hardware



Le specifiche tecniche possono essere modificate senza preavviso.
L'installazione deve essere eseguita da personale preparato e qualificato.

Raccomandazioni

Questo prodotto Axis viene fornito con il blocco LED sulla parte anteriore e questo posizionamento è adatto alla maggior parte delle installazioni; è comunque possibile spostare il blocco LED nelle altre direzioni. Vedere pagina 49.

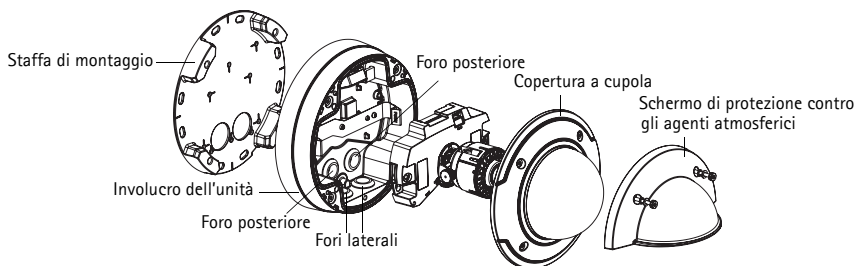


Nota: Utilizzare viti adatte al materiale della parete.

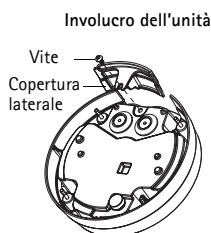
Installazione

Note:

- Quando il LED IR è installato, i cavi della telecamera possono essere fatti passare solo attraverso la parete (non lungo la parete).
- Il LED IR è controllato dal livello di luce ambientale rilevato dalla fotocellula dell'unità. Assicurarsi che la fotocellula non sia ostruita o coperta.



1. Se la telecamera è già installata, scollegare alimentazione dalla telecamera; rimuovere la schermatura contro gli agenti atmosferici e la copertura a cupola; rimuovere il rivestimento dell'unità dalla staffa di montaggio; scollegare l'unità della telecamera.
Se la telecamera non è già installata, fissare la staffa di montaggio alla parete. Controllare la guida all'installazione della telecamera per questa e le ulteriori procedure di installazione.
2. Rimuovere il coperchio laterale dall'involucro dell'unità; conservando la vite.

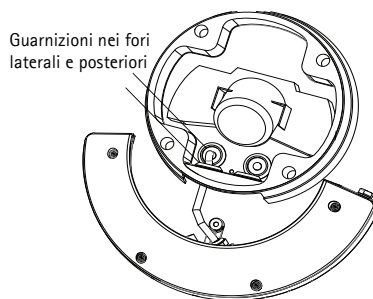


Se l'obiettivo della telecamera deve essere rivolto a destra o a sinistra, leggere le informazioni a pagina 49 prima di procedere.

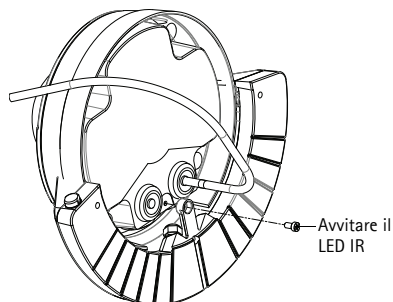
3. Rimuovere la guarnizione da uno dei fori laterali e dal foro posteriore corrispondente nell'involucro dell'unità, per il cablaggio. (Il cavo del LED IR deve entrare nel foro sulla sinistra dell'involucro dell'unità)

Far passare il cavo del LED IR attraverso il foro laterale e il foro posteriore dell'involucro dell'unità.

4. Forzare le 2 guarnizioni sul cavo attraverso il foro laterale.
5. Inserire le guarnizioni nei fori laterale e posteriore. Controllare che le guarnizioni si inseriscano a fondo nei fori, senza pieghe o curvature.
6. Collocare il LED IR sotto l'involucro dell'unità allineando il foro della vite sul retro del LED IR con il foro della vite nell'involucro dell'unità; avvitare il LED IR sul rivestimento di unità con l'unica vite.
7. Fissare l'involucro dell'unità alla staffa di montaggio.

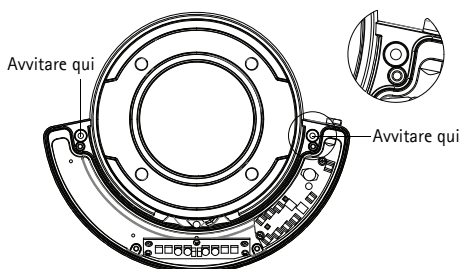


Vista posteriore



8. Per un'installazione a prova di manomissione eseguire le seguenti operazioni:
 - a. Scollegare la copertura del LED IR.
 - b. Avvitare il LED IR sulla parete con 2 viti.
 - c. Rimontare il coperchio dopo essersi assicurati che la guarnizione sia in posizione.

Vista anteriore



9. Collegare al cavo di rete dal LED IR allo switch o midspan PoE (AXIS T90C20); oppure collegare il cavo CC alla PSU (AXIS T90C10).
10. Per completare l'installazione della telecamera, fare riferimento alla guida per l'installazione fornita con la telecamera di rete.

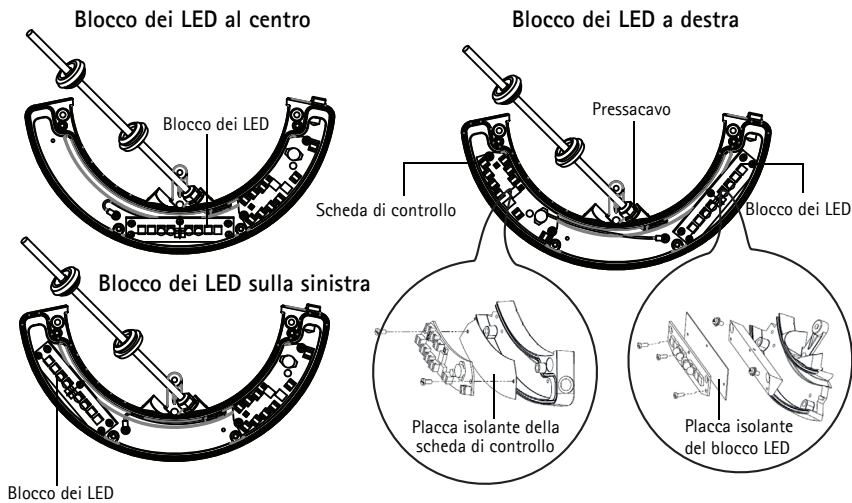
AXIS T90C20

Quando l'obiettivo della telecamera è rivolto a sinistra

1. Rimuovere le 3 viti poste sul blocco dei LED. Staccare il blocco LED dal blocco di montaggio e separare il blocco dei LED dalla placca isolante dello stesso.
2. Svitare il cavo di terra dal foro della vite sulla sinistra e collegarlo al foro filettato sulla destra.
3. Rimuovere le 2 viti dal blocco di montaggio, spostarlo a sinistra e stringere nuovamente le viti.
4. Montare la placca isolante del blocco LED tra il blocco LED ed il blocco di montaggio. Allineare il blocco LED con i fori delle viti a sinistra e stringere le 3 viti.

Quando l'obiettivo della telecamera è rivolto a destra

1. Rimuovere le 3 viti poste sul blocco dei LED. Staccare il blocco LED dal blocco di montaggio e separare il blocco dei LED dalla placca isolante dello stesso.
2. Svitare il cavo di terra dal foro della vite sulla sinistra e collegarlo al foro filettato sulla destra.
3. Allentare il pressacavo e tirare una tratto di cavo più lungo, in modo che possa raggiungere il lato sinistro del LED IR.
4. Rimuovere le 2 viti della scheda di controllo, rimuovere la scheda di controllo insieme alla placca isolante della stessa. Fissare la scheda di controllo insieme alla placca isolante nella parte sinistra dell'alloggiamento.
5. Rimuovere le 2 viti dal blocco di montaggio e muoverlo a destra, stringere nuovamente le 2 viti.
6. Fissare il blocco LED insieme alla placca isolante del blocco LED sopra il blocco di montaggio e stringere le 3 viti.



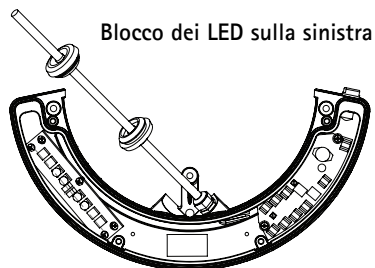
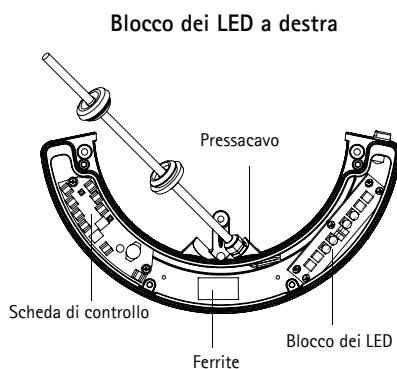
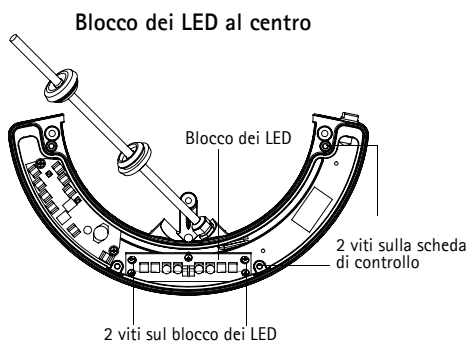
AXIS T90C10

Quando l'obiettivo della telecamera è rivolto a sinistra

1. Rimuovere le 2 viti situate sulla parte superiore di ciascun lato del blocco dei LED e staccare il blocco dei LED.
2. Spostare la ferrite al centro (vedi immagine in basso).
3. Rimuovere le due viti della scheda di controllo e fissare la scheda di controllo sulla destra.
4. Allineare il blocco dei LED con i fori delle viti a sinistra ed stringere le viti nuovamente.

Quando l'obiettivo della telecamera è rivolto a destra

1. Rimuovere le 2 viti situate sulla parte superiore di ciascun lato del blocco dei LED e staccare il blocco dei LED.
2. Spostare la ferrite al centro (vedi immagine in basso).
3. Svitare il blocco del cavo e allungare il cavo cosicche' possa raggiungere la parte sinistra dell LED IR.
4. Rimuovere le due viti della scheda di controllo e fissare la scheda di controllo sulla sinistra.
5. Fissare il blocco LED sulla destra (vedi immagine in basso).



Specifiche

LED IR per AXIS T90C10

Modello	LD IR per cupola fissa AXIS T90C10
Alimentazione	Ingresso 18 - 56 V CC, consumo: 13W
Tipo	850 nm, semi-discreto
Involucro	Classe IP66 e NEMA 4X, involucro resistente agli urti in alluminio e coperchio in lexan
Angolo	120°
Distanza massima di illuminazione	20 - 30 m in funzione dell'ambiente e dell'installazione
Condizioni operative	Da -40 °C a +55 °C
Accessori inclusi	Cavo di alimentazione da 5 m pre-montato
Dimensioni	130 x 256 x 47 mm
Peso	700 g
Accessorio opzionale	Alimentatore per la T90C10

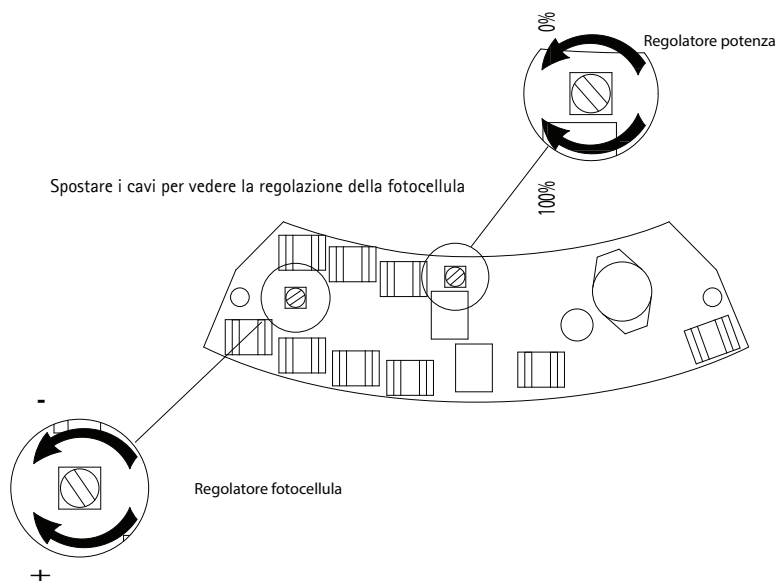
LED IR per AXIS T90C20

Modello	LED IR per cupola fissa AXIS T90C20
Alimentazione	Power over Ethernet IEEE802.3af; consumo: 13W
Tipo	850 nm, semi-discreto
Involucro	Classe IP66 e NEMA 4X, involucro resistente agli urti in alluminio e coperchio in lexan
Angolo	120°
Distanza massima di illuminazione	20 - 30 m in funzione dell'ambiente e dell'installazione
Condizioni operative	Da -40 °C a +55 °C
Accessori inclusi	Cavo di rete CAT 5 da 5 m pre-montato
Accessori consigliati	AXIS PoE Midspan 1-Port
Dimensioni	130 x 256 x 47 mm
Peso	700 g

Risoluzione dei problemi

Problema	Soluzione
Il LED IR non si accende	<ul style="list-style-type: none"> Controllare che il connettore RJ45 sia inserito saldamente (LED IR per AXIS T90C20) Controllare che la tensione di alimentazione della PSU sia 18-56V CC; assicurarsi che la polarità sia corretta (LED IR per AXIS T90C10) Regolare la fotocellula (+ aumenta la sensibilità, - la diminuisce) Controllare che la fotocellula funzioni; coprire la fotocellula, i LED dovrebbero accendersi; in caso contrario contattare Axis.
Se l'immagine è troppo luminosa	Regolare alimentazione (vedere l'immagine sottostante)

..



Garanzia

Per informazioni relative alla garanzia del prodotto AXIS ed ogni altra ulteriore informazione correlata, di consultare la pagina www.axis.com/warranty

Medidas preventivas

Lea detenidamente esta Guía de instalación antes de instalar el producto Axis. Guarde la Guía de instalación para poder consultarla en el futuro.

AVISO

- Guarde el producto Axis en un entorno seco y ventilado.
- Evite exponer el producto Axis a vibraciones, golpes o presiones excesivas. No instale el producto en soportes inestables ni en superficies o paredes inestables o con vibraciones, ya que esto podría dañarlo.
- Utilice solo las herramientas apropiadas para instalar el producto Axis; una fuerza excesiva podría dañarlo.
- No utilice productos químicos, agentes cáusticos ni limpiadores en aerosol. Límpielo con un paño húmedo.
- Utilice solo accesorios que cumplan las especificaciones técnicas del producto. Puede obtenerlos de Axis o de un tercero.
- Utilice solo piezas de recambio suministradas o recomendadas por Axis.
- No intente reparar el producto usted mismo, póngase en contacto con Axis o con el distribuidor de Axis para los temas de servicio técnico.

Importante

- Este producto Axis se utilizará de conformidad con la legislación y normativas locales.
- Para utilizar este producto Axis en exteriores, se instalará en una carcasa protectora para exteriores aprobada.
- La instalación del producto Axis debe realizarla un profesional cualificado. Siga las normativas nacionales y locales aplicables para la instalación.

Transporte

AVISO

- A la hora de transportar el producto Axis, utilice el embalaje original o uno equivalente para no dañar el producto.

Lámpara infrarroja de ledes AXIS T90C10/T90C20 para cámaras domo fijas

Esta guía proporciona instrucciones acerca de la instalación de la lámpara AXIS T90C10/ AXIS T90C20 con ledes infrarrojos con las siguientes cámaras domo fijas:

- AXIS P3343-VE
- AXIS P3344-VE
- AXIS P3346-VE.

Para instalar la cámara, consulte la guía de instalación proporcionada con el producto.

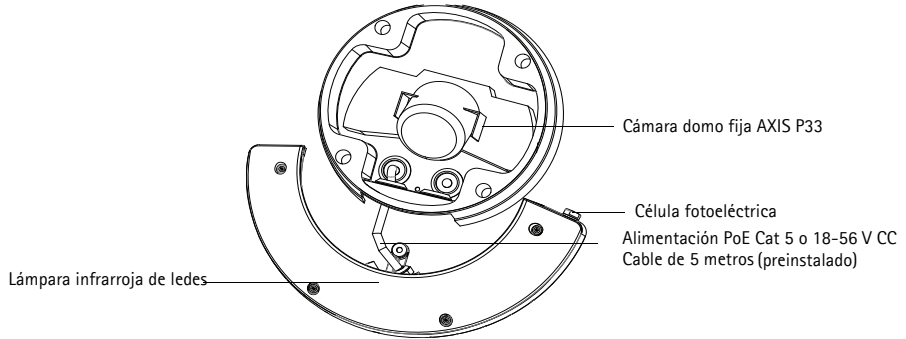
El contenido de esta guía es el siguiente:

1. *Contenido del paquete.* Consulte la información siguiente.
2. *Instalación,* en la página 60.
3. *Especificaciones,* en la página 67.

Contenido del paquete

Artículo	Modelos/variantes/notas
Módulo de iluminación	Cable Cat 5 PoE (para la lámpara infrarroja de ledes AXIS T90C20 apta para cámaras domo fijas) Cable de control de alimentación 18-56 V CC (para Lámpara infrarroja de ledes AXIS T90C10)
Material impreso	Guía de instalación de la lámpara infrarroja de ledes AXIS T90C10/T90C20 apta para cámaras domo fijas (este documento)

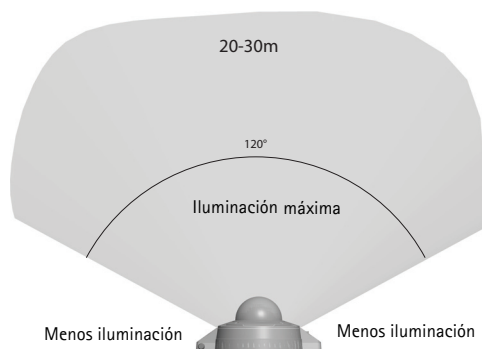
Presentación del hardware



Especificaciones sujetas a cambios sin previo aviso.
La instalación debe ser realizada por personal cualificado y con experiencia.

Recomendaciones

Este producto de Axis se entrega con el bloque de ledes mirando hacia el frente y esta posición es adecuada para la mayoría de las instalaciones; sin embargo, es posible mover el bloque de ledes hacia otras direcciones. Consulte la página 63.

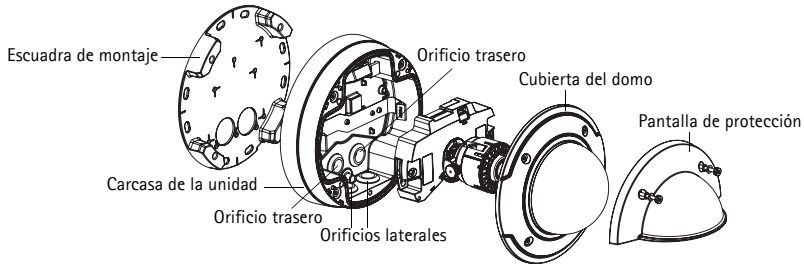


Nota: Utilice los tornillos adecuados para el material de la pared.

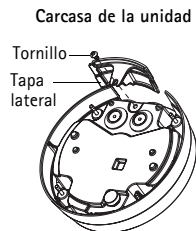
Instalación

Notas:

- Una vez instalada la lámpara infrarroja de ledes, sólo podrá guiar los cables de la cámara a través de la pared (no a lo largo de la pared).
- La lámpara infrarroja de ledes se controla a través del nivel de la luz ambiente que se detecta mediante la célula fotoeléctrica de la unidad. Asegúrese de que la célula fotoeléctrica no está ni obstruida ni cubierta.



1. Si la cámara ya está instalada, desconecte la alimentación de la cámara; retire la pantalla de protección y la cubierta del domo de la cámara; retire la carcasa de la unidad de la escuadra de montaje; separe la unidad de la cámara.
Si la cámara no está aún instalada, fije la escuadra de montaje a la pared. Consulte la guía de instalación de la cámara para estas y otras instrucciones de instalación.
2. Retire la tapa lateral de la carcasa de la unidad; guarde el tornillo.



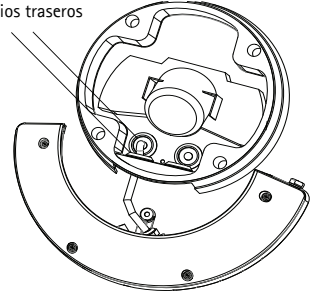
Si el objetivo de la cámara se va orientar hacia la derecha o la izquierda, lea la siguiente información de la página 63 antes de continuar.

- Para realizar el cableado, retire la junta de uno de los orificios laterales y del orificio trasero correspondiente en la carcasa de la unidad. (El cable para la lámpara infrarroja debe entrar en el orificio en la parte izquierda de la carcasa de la unidad.)

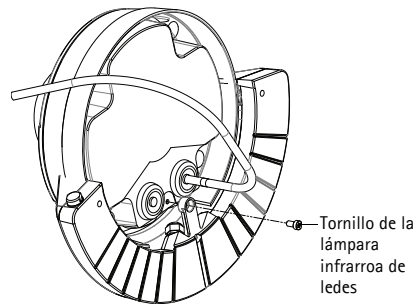
Pase el cable de la lámpara infrarroja a través del orificio lateral así como del orificio trasero en la carcasa de la unidad.

- Pase las dos juntas del cable a través del orificio lateral.
- Coloque las juntas en los orificios laterales y traseros. Las juntas deben encajar perfectamente en los orificios sin dobleces ni curvas.
- Coloque la lámpara infrarroja debajo de la carcasa de la unidad alineando el orificio del tornillo en la parte trasera de la lámpara infrarroja con el orificio del tornillo en la carcasa de la unidad; atornille la lámpara infrarroja a la carcasa de la unidad con el tornillo suelto.
- Fije la carcasa de la unidad a la escuadra de montaje.

Juntas en orificios laterales y orificios traseros

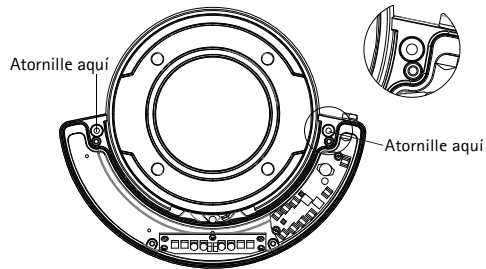


Vista trasera



Tornillo de la lámpara infrarroja de led

8. Para instalaciones resistentes a agresiones, haga lo siguiente:
 - a. Retire la cubierta la lámpara infrarroja.
 - b. Atornille la lámpara infrarroja a la pared con 2 tornillos.
 - c. Vuelva a colocar la cubierta después de asegurarse de que la junta esté en su sitio.

Vista frontal

9. Conecte el cable de red desde la lámpara infrarroja al switch o midspan PoE (aplicable para el modelo AXIS T90C20); o conecte el cable de CC a la fuente de alimentación (aplicable para el modelo AXIS T90C10).
10. Para finalizar la instalación de la cámara, consulte la guía de instalación proporcionada con la cámara de red.

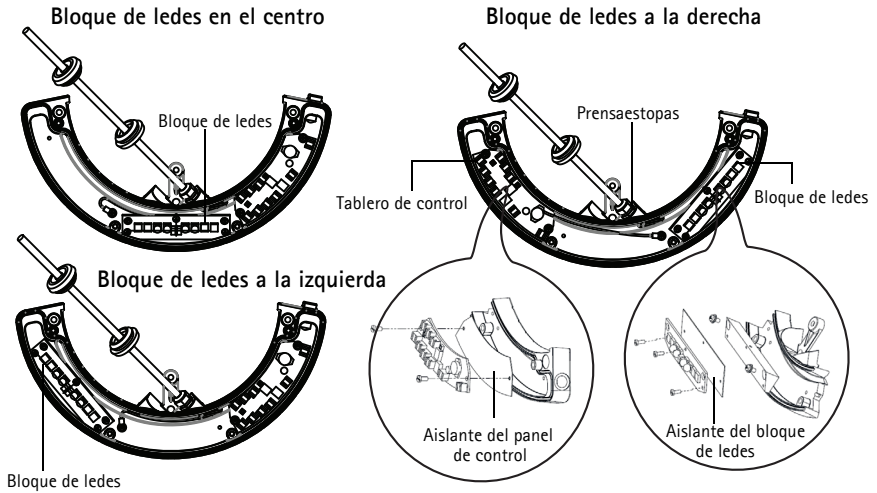
AXIS T90C20

Cuando el objetivo de la cámara está orientado hacia la izquierda

1. Retire los 3 tornillos localizados en el bloque de ledes. Separe el bloque de ledes del bloque de montaje y separe el aislante del bloque de ledes del bloque de ledes.
2. Desatornille el cable de la conexión a tierra del orificio del tornillo a la izquierda y fíjelo a un orificio de tornillo a la derecha.
3. Retire 2 tornillos del bloque de montaje y colóquelo hacia la izquierda. Apriete los 2 tornillos de nuevo.
4. Coloque el aislante del bloque de ledes entre el bloque de ledes y el bloque de montaje. Alinee el bloque de ledes con las perforaciones para los tornillos de la izquierda y vuelva a apretar los 3 tornillos.

Cuando el objetivo de la cámara está orientado hacia la derecha

1. Retire los 3 tornillos situados en el bloque de ledes. Separe el bloque de ledes del bloque de montaje y separe el aislante del bloque de ledes del bloque de ledes.
2. Desatornille el cable de la conexión a tierra del orificio del tornillo a la izquierda y fíjelo a un orificio de tornillo a la derecha.
3. Afloje la prensaestopas y pase una longitud superior del cable de modo que llegue al lado izquierdo del LED infrarrojo.
4. Retire 2 tornillos del panel de control, retire el panel de control junto con el aislante del panel de control. Apriete el panel de control junto con su aislante hacia la izquierda.
5. Retire 2 tornillos del bloque de montaje y colóquelo hacia la derecha. Apriete los 2 tornillos de nuevo.
6. Junte el bloque de ledes con el aislante del bloque de ledes en el bloque de montaje. Apriete con los 3 tornillos.



AXIS T90C10

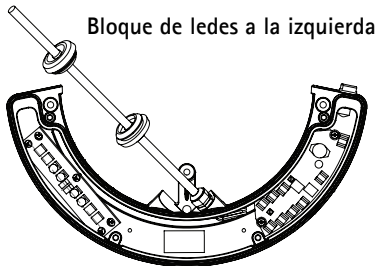
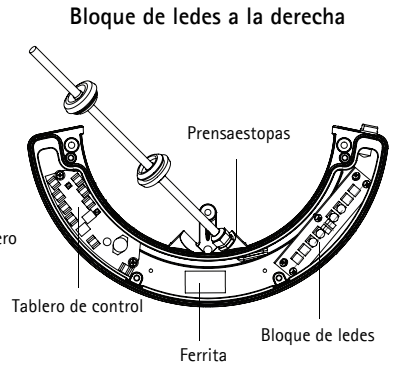
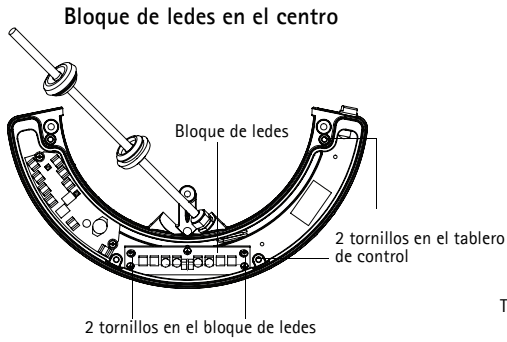
Cuando el objetivo de la cámara está orientado hacia la izquierda

1. Retire 2 tornillos ubicados en uno de los lados de la parte superior del bloque de ledes y desmóntelo.
2. Mueva la ferrita hacia el centro (ver imagen más abajo).
3. Retire 2 tornillos de la tarjeta de control y fijela hacia la derecha.
4. Alinee el bloque de ledes con los agujeros para los tornillos hacia la izquierda y vuelva a apretar los 2 tornillos.

Cuando el objetivo de la cámara está orientado hacia la derecha

1. Retire 2 tornillos ubicados en uno de los lados de la parte superior del bloque de ledes y desmóntelo.
2. Mueva la ferrita hacia el centro (ver imagen más abajo).
3. Suelte el prensaestopas y despliegue más extensión de cable para que llegue a la parte izquierda de la lámpara infrarroja de ledes.
4. Retire 2 tornillos de la tarjeta de control y fijela hacia la izquierda.

- Fije el bloque ledes hacia la derecha (ver imagen a continuación).



Especificaciones

Lámpara infrarroja de ledes AXIS T90C10

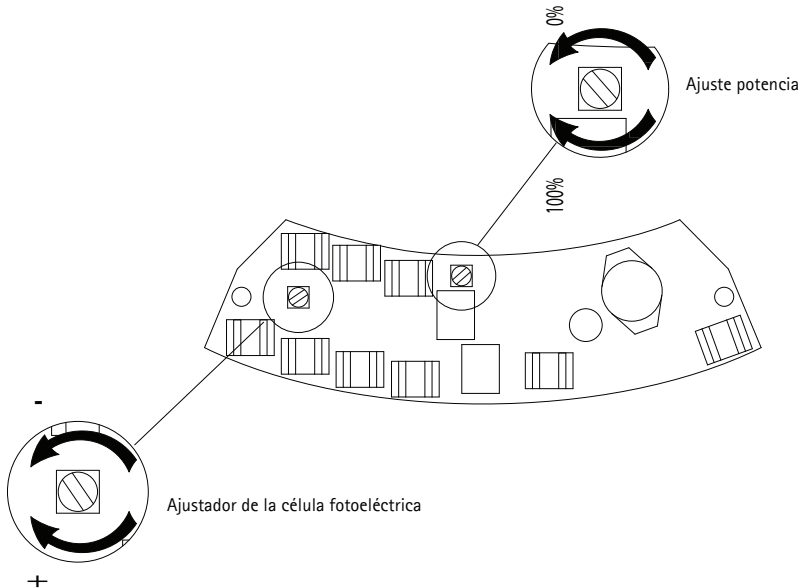
Modelo	Lámpara infrarroja de ledes AXIS T90C10 para cámaras domo fijas
Alimentación	Entrada 18-56 V CC, consumo: 13 W
Tipo	850 mm semicubierto
Carcasa	Carcasa de aluminio y cubierta de lexan a prueba de impactos, IP66 y NEMA 4X
Ángulo	120°
Distancia de iluminación máxima	20 a 30 m según el entorno y la instalación
Condiciones de funcionamiento	-40 °C a +55 °C
Accesorios incluidos	Cable de alimentación de 5 m preinstalado
Dimensiones	130 x 256 x 47 mm (5,1" x 11" x 1,8")
Peso	700 g (1,5 lb)
Accesorio opcional	Fuente de alimentación para T90C10

Lámpara infrarroja de ledes AXIS T90C20

Modelo	Lámpara infrarroja de ledes AXIS T90C20 para cámaras domo fijas
Alimentación	Alimentación a través de Ethernet IEEE802.3af; consumo: 13 W
Tipo	850 mm semicubierto
Carcasa	Carcasa de aluminio y cubierta de lexan a prueba de impactos, IP66 y NEMA 4X
Ángulo	120°
Distancia de iluminación máxima	20 a 30 m según el entorno y la instalación
Condiciones de funcionamiento	-40 °C a +55 °C
Accesorios incluidos	Cable de red estándar CAT 5 de 5 m preinstalado
Accesorios recomendados	AXIS Midspan PoE de 1 puerto
Dimensiones	130 x 256 x 47 mm (5,1" x 11" x 1,8")
Peso	700 g (1,5 lb)

Solución de problemas

Problema	Solución
La lámpara infrarroja de ledes no se enciende	<ul style="list-style-type: none"> • Compruebe que el conector RJ45 está insertado de forma segura (aplicable para el modelo AXIS T90C20) • Compruebe que el voltaje de la alimentación de la fuente de alimentación es de 18-56 V CC; asegúrese de que la polaridad es correcta (aplicable para el modelo AXIS T90C10) • Ajuste la célula fotoeléctrica (+ aumenta la sensibilidad; - disminuye la sensibilidad) • Compruebe que la célula fotoeléctrica está funcionando; cubra la célula fotoeléctrica, los ledes deben encenderse; si no es el caso, póngase en contacto con Axis.
Si la imagen es demasiado brillante	Ajuste de potencia (vea la imagen a continuación)



Garantía

Para información sobre la garantía de productos Axis e información relacionada, consulte www.axis.com/warranty

Installation Guide

Ver.1.2

AXIS T90C10/T90C20 Fixed Dome IR-LED

Printed: February 2013

© Axis Communications AB, 2011-2013

Part No. 47106