

# **AXIS T8504-E Outdoor PoE Switch**

## **Installation guide**



English

EN

Français

FR

Deutsch

DE

Italiano

IT

Español

ES

日本語

JA

中文: 简体中文

ZH

## Read this first

Read through this installation guide carefully before you install the product. Keep the installation guide for future reference.

## Legal considerations

Video and audio surveillance can be regulated by laws that vary from country to country. Check the laws in your local region before using this product for surveillance purposes.

## Liability

Every care has been taken in the preparation of this document. Please inform your local Axis office of any inaccuracies or omissions. Axis Communications AB cannot be held responsible for any technical or typographical errors and reserves the right to make changes to the product and manuals without prior notice. Axis Communications AB makes no warranty of any kind with regard to the material contained within this document, including, but not limited to, the implied warranties of merchantability and fitness for a particular purpose. Axis Communications AB shall not be liable nor responsible for incidental or consequential damages in connection with the furnishing, performance or use of this material. This product is only to be used for its intended purpose.

## Intellectual property rights

Axis AB has intellectual property rights relating to technology embodied in the product described in this document. In particular, and without limitation, these intellectual property rights may include one or more of the patents listed at [axis.com/patent](http://axis.com/patent) and one or more additional patents or pending patent applications in the US and other countries.

## Equipment modifications

This equipment must be installed and used in strict accordance with the instructions given in the user documentation. This equipment contains no user-serviceable components. Unauthorized equipment changes or modifications will invalidate all applicable regulatory certifications and approvals.

## Trademark acknowledgements

AXIS COMMUNICATIONS, AXIS, ARTPEC and VAPIX are registered trademarks of Axis AB in various jurisdictions. All other trademarks are the property of their respective owners.

## Regulatory information

### Europe



This product complies with the applicable CE marking directives and harmonized standards:

- Electromagnetic Compatibility (EMC) Directive 2014/30/EU. See *Electromagnetic compatibility (EMC) on page 4*.
- Low Voltage Directive (LVD) 2014/35/EU. See *Safety on page 5*.
- Restriction of Hazardous Substances (RoHS) Directive 2011/65/EU and 2015/863, including any amendments, updates or replacements. See *Disposal and recycling on page 5*.

A copy of the original declaration of conformity may be obtained from Axis Communications AB. See *Contact information on page 5*.

## Electromagnetic compatibility (EMC)

This equipment has been designed and tested to fulfill applicable standards for:

- Radio frequency emission when installed according to the instructions and used in its intended environment.
- Immunity to electrical and electromagnetic phenomena when installed according to the instructions and used in its intended environment.

### USA

This device complies with part 15 of the FCC Rules. Operation is subject to the following two conditions:

1. This device may not cause harmful interference, and
2. this device must accept any interference received, including interference that may cause undesired operation.

This equipment has been tested and found to comply with the limits for a Class B digital device, pursuant to part 15 of the FCC Rules. These limits are designed to provide reasonable protection against harmful interference in a residential installation. This equipment generates, uses and can radiate radio frequency energy and, if not installed and used in accordance with the instructions, may cause harmful interference to radio communications. However, there is no guarantee that interference will not occur in a particular installation. If this equipment does cause harmful interference to radio or television reception, which can be determined by turning the equipment off and on, the user is encouraged to try to correct the interference by one or more of the following measures:

- Reorient or relocate the receiving antenna.
- Increase the separation between the equipment and receiver.
- Connect the equipment into an outlet on a circuit different from that to which the receiver is connected.
- Consult the dealer or an experienced radio/TV technician for help.

The product shall be properly grounded.

### Contact information

Axis Communications Inc.  
300 Apollo Drive  
Chelmsford, MA 01824  
United States of America  
Tel: +1 978 614 2000

### Canada

This digital apparatus complies with CAN ICES-3 (Class B). The product shall be properly grounded. Cet appareil numérique est conforme à la norme CAN NMB-3 (classe B). Le produit doit être correctement mis à la terre.

### Europe

This digital equipment fulfills the requirements for RF emission according to the Class B limit of EN 55022. The product shall be properly grounded.

### Japan

この装置は、クラスB機器です。この装置は、住宅環境で使用することを目的としています。この装置がラジオやテレビジョン受信機に近接して使用されると、受信障害を引き起こすことがあります。取扱説明書に従って正しい取り扱いをして下さい。VCCI-B

## Safety

This product complies with IEC/EN/UL 62368-1, safety of audio/video and IT equipment, and IEC/EN/UL 60950-22, Safety of Information Technology Equipment. The product shall be grounded either through a shielded network cable (STP) or other appropriate method.

## Disposal and recycling

When this product has reached the end of its useful life, dispose of it according to local laws and regulations. For information about your nearest designated collection point, contact your local authority responsible for waste disposal. In accordance with local legislation, penalties may be applicable for incorrect disposal of this waste.

## Europe



This symbol means that the product shall not be disposed of together with household or commercial waste. Directive 2012/19/EU on waste electrical and electronic equipment (WEEE) is applicable in the European Union member states. To prevent potential harm to human health and the environment, the product must be disposed of in an approved and environmentally safe recycling process. For information about your nearest designated collection point, contact your local authority responsible for waste disposal. Businesses should contact the product supplier for information about how to dispose of this product correctly.

This product complies with the requirements of Directive 2011/65/EU and 2015/863 on the restriction of the use of certain hazardous substances in electrical and electronic equipment (RoHS).

## China



This product complies with the requirements of SJ/T 11364-2014, Marking for the restriction of hazardous substances in electrical and electronic products.

有毒有害物质或元素						
部件名称	铅 (Pb)	汞 (Hg)	镉 (Cd)	六价铬 (Cr-(VI))	多溴联苯 (PB-B)	多溴二苯醚 (PB-DE)

电气实装部分	X	0	0	0	0	0
<p>0: 表示该有毒有害物质在该部件均质材料中的含量均在GB/T 26572标准规定的限量要求以下。</p> <p>X: 表示该有毒有害物质至少在该部件的某一均质材料中的含量超出GB/T 26572标准规定的限量要求。</p>						

## Contact information

Axis Communications AB  
Gränden 1  
223 69 Lund  
Sweden

Tel: +46 46 272 18 00

Fax: +46 46 13 61 30

[axis.com](http://axis.com)

## Warranty information

For information about Axis' product warranty and thereto related information, go to [axis.com/warranty](http://axis.com/warranty).

## Support

Should you require any technical assistance, please contact your Axis reseller. If your questions cannot be answered immediately, your reseller will forward your queries through the appropriate channels to ensure a rapid response. If you are connected to the Internet, you can:

- download user documentation and software updates
- find answers to resolved problems in the FAQ database, search by product, category, or phrase
- report problems to Axis support staff by logging in to your private support area
- chat with Axis support staff
- visit Axis Support at [axis.com/support](http://axis.com/support)

## Learn more!

Visit Axis learning center [axis.com/learning](http://axis.com/learning) for useful trainings, webinars, tutorials and guides.

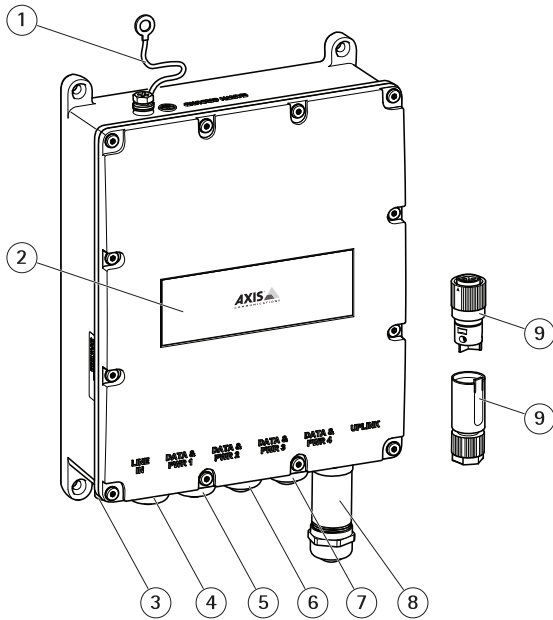


## Package contents

- AXIS T8504-E Outdoor PoE Switch
- Power connector
- Printed materials
  - Installation Guide (this document)

# AXIS T8504-E Outdoor PoE Switch

## Product overview



- 1 Grounding cable
- 2 Product label
- 3 Power connector port
- 4 RJ45 PoE port
- 5 RJ45 PoE port
- 6 RJ45 PoE port
- 7 RJ45 PoE port
- 8 SFP slot
- 9 Power connector



## How to install the product

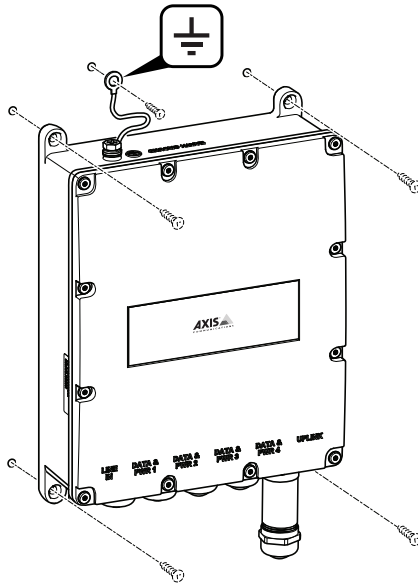
### How to mount the product to the wall

#### Note

To mount the product on a pole you need a pole mount. For accessories, see [www.axis.com](http://www.axis.com)

EN

1. Place the product against a flat surface.



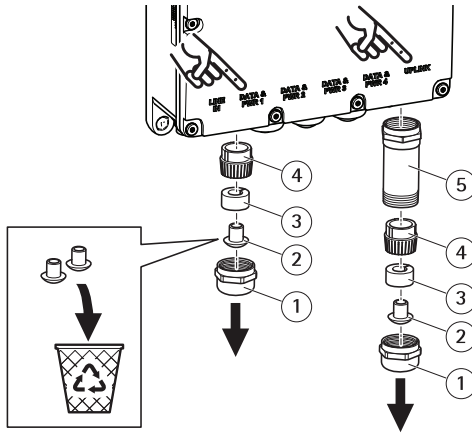
2. Fasten the product using four screws.
3. Fasten the grounding cable.

### How to connect an Ethernet cable or a SFP module

#### Note

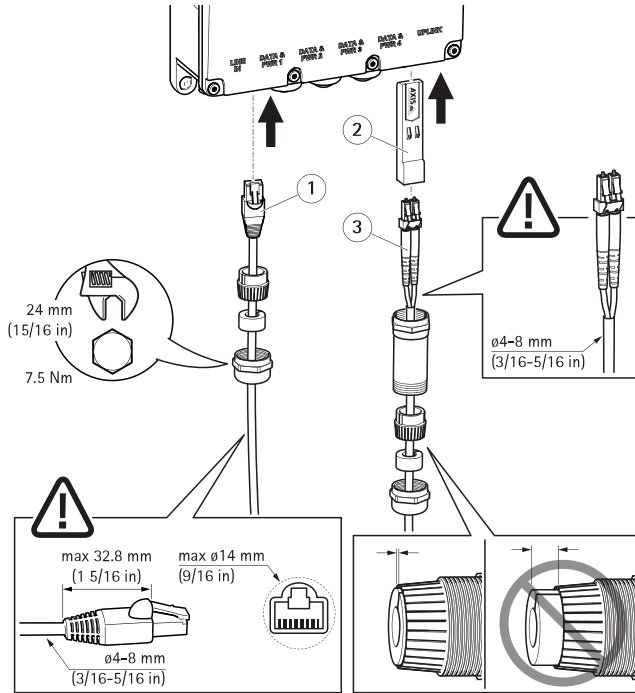
The easiest way to connect the cables is to start from the left with connecting the first Ethernet cable into Data & PWR 1 and to connect the SFP module in the Uplink port as last.

# AXIS T8504-E Outdoor PoE Switch



- 1 *Metal gland*
- 2 *Dust cap*
- 3 *Rubber seal*
- 4 *Pressure fingers*
- 5 *Metal protection*

1. Remove the metal gland by turning it counterclockwise. To connect a SFP module also remove the metal protection.
2. Detach the rubber seal from the pressure fingers.
3. Throw the dust cap or keep it for future use.



- 1 Ethernet cable
- 2 SFP module
- 3 Optical fibre cables

### How to connect an ethernet cable:

1. Insert the metal gland, rubber seal and pressure fingers to the Ethernet cable, in this order.
2. Insert the rubber seal into the pressure fingers.
3. Connect the cable into the socket.
4. Attach the metal gland to the product with a torque.

### How to connect a SFP module:

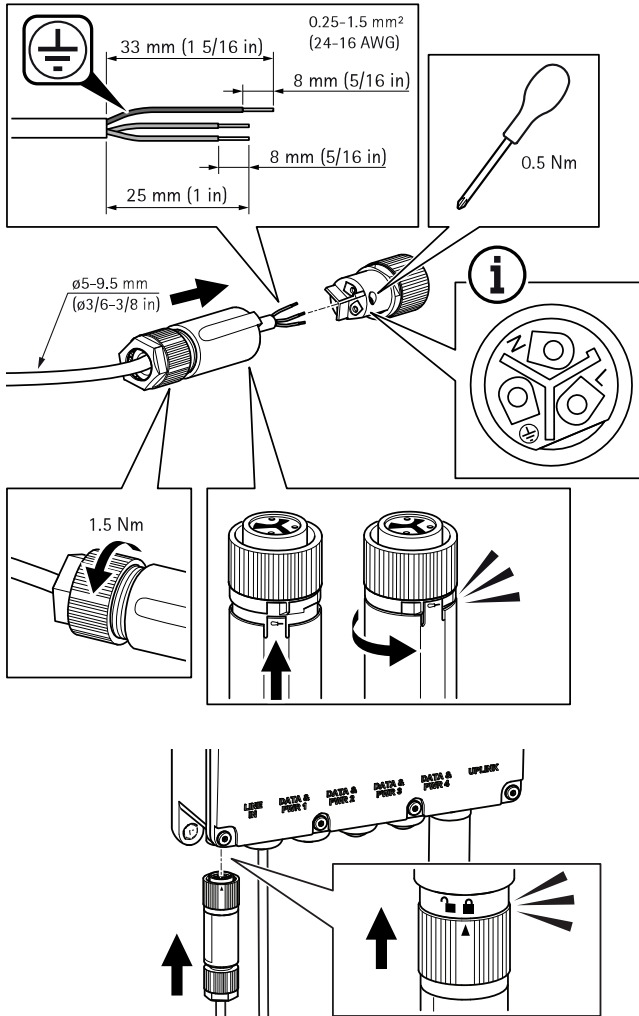
1. Insert the SFP module into the product.
2. Insert the metal gland, rubber seal, pressure fingers and metal protector to the optical fiber cable, in this order.
3. Connect the cable into the socket.
4. Attach the metal protector to the product with a torque.
5. Insert the rubber seal into the pressure fingers.

# AXIS T8504-E Outdoor PoE Switch

6. Attach the metal gland to the metal protector with a torque.

## Connect the power supply

See below images for how to connect the power connector.



**⚠ WARNING**

- When you are connecting the AC power make sure that N, L and ground are connected to the proper polarity.
- Make sure that the AC power is within the allowed range (100–240 V AC).

## How to access the product

AXIS IP Utility and AXIS Camera Management are recommended methods for finding Axis products on the network. Both applications are free and can be downloaded from [www.axis.com/support](http://www.axis.com/support)

The default IP address is 192.168.0.254

**Default username:** root

**Default password:** Find the default password printed on the label on your device.

### Important

To protect your product from intrusion always change username and password before you start using the product.

To get the most out of your product and to protect your product from intrusion it is important to log in to the product to:

- Change Username and Password
- Assign a new IP address
- Enable HTTPS
- Check that you have the latest firmware

For more information about using the product, see the User Manual available at [www.axis.com](http://www.axis.com)

## AXIS T8504-E Outdoor PoE Switch

---

### Further information

- For useful trainings, webinars, tutorials and guides, see [axis.com/academy](https://axis.com/academy).

### Optional accessories

For a complete list of available accessories for this product, go to the product's page on [axis.com](https://axis.com) and select Software & Accessories.

## Specifications

### Connectors

#### Network connector

RJ45 Ethernet connector with Power over Ethernet (PoE).

SFP connector.

### Power consumption

*Electrical specification*

Input voltage	100–240 V AC (50/60Hz)
Input Current (100–240 V AC)	2.5 Ampere (max)
Available output power (max.)	150 W
Nominal output voltage	54 V DC

*Interface*

Uplink	SFP Cage
Output (DATA PWR OUT): Ethernet 10/100/1000Base-T, plus 54 V DC (RJ45 female socket, with DC voltage)	Up to 150 W from the following available options: 60 W ports (Ports 1 & 2): Pairs 1–2 & 3–6, 7–8 & 4–5 30 W ports (Ports 3 & 4): Pairs 1–2 & 3–6
AC Power IN	3 Pins AC power in – Line, Neutral and Earth Ground

## AXIS T8504-E Outdoor PoE Switch

---

### Operating conditions

Product	Temperature	Humidity
Axis T8504-E	-40 °C to 50 °C (-40 °F to 122 °F)* for 150 Watts -40 °C to 60 °C (-40 °F to 140 °F)* for 90 Watts	Maximum 90%, non-condensing



## Safety information

### Hazard levels

**▲DANGER**

Indicates a hazardous situation which, if not avoided, will result in death or serious injury.

**▲WARNING**

Indicates a hazardous situation which, if not avoided, could result in death or serious injury.

**▲CAUTION**

Indicates a hazardous situation which, if not avoided, could result in minor or moderate injury.

**NOTICE**

Indicates a situation which, if not avoided, could result in damage to property.

### Other message levels

**Important**

Indicates significant information which is essential for the product to function correctly.

**Note**

Indicates useful information which helps in getting the most out of the product.

# AXIS T8504-E Outdoor PoE Switch

---

## Safety instructions

### **NOTICE**

- The Axis product shall be used in compliance with local laws and regulations.
- Use only applicable tools when installing the Axis product. Using excessive force with power tools could cause damage to the product.
- Do not use chemicals, caustic agents, or aerosol cleaners.
- Use a clean cloth dampened with pure water for cleaning.
- Use only accessories that comply with the technical specification of your product. These can be provided by Axis or a third party. Axis recommends using Axis power source equipment compatible with your product.
- Use only spare parts provided by or recommended by Axis.
- Do not attempt to repair the product yourself. Contact Axis support or your Axis reseller for service matters.

## Transportation

### **NOTICE**

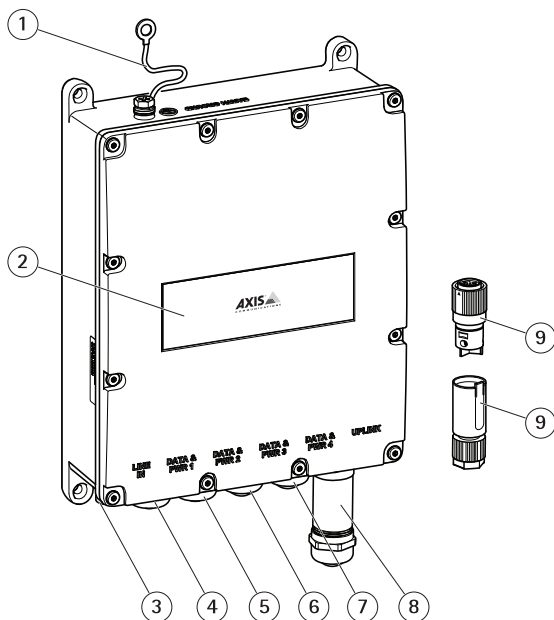
- When transporting the Axis product, use the original packaging or equivalent to prevent damage to the product.

## Contenu de l'emballage

- Commutateur PoE d'extérieur AXIS T8504-E
- Connecteur d'alimentation
- Documents imprimés
  - Guide d'installation (ce document)

# AXIS T8504-E Outdoor PoE Switch

## Vue d'ensemble du produit



- 1 Câble de mise à la terre
- 2 Étiquette produit
- 3 Port du connecteur d'alimentation
- 4 Port RJ45 PoE
- 5 Port RJ45 PoE
- 6 Port RJ45 PoE
- 7 Port RJ45 PoE
- 8 Emplacement PDU
- 9 Connecteur d'alimentation

## Comment installer le produit

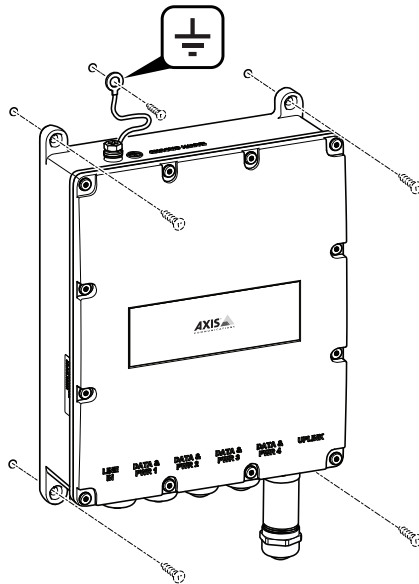
### Comment fixer le produit au mur

#### Remarque

Pour monter le produit sur un poteau, vous avez besoin d'une fixation pour poteau. Pour les accessoires, visiter [www.axis.com](http://www.axis.com)

FR

1. Placez le produit contre une surface plate.



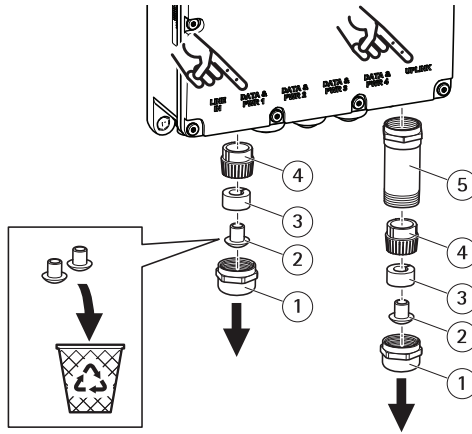
2. Fixez le produit à l'aide de quatre vis.
3. Fixez le câble de mise à la terre.

### Comment raccorder un câble Ethernet ou un module SFP

#### Remarque

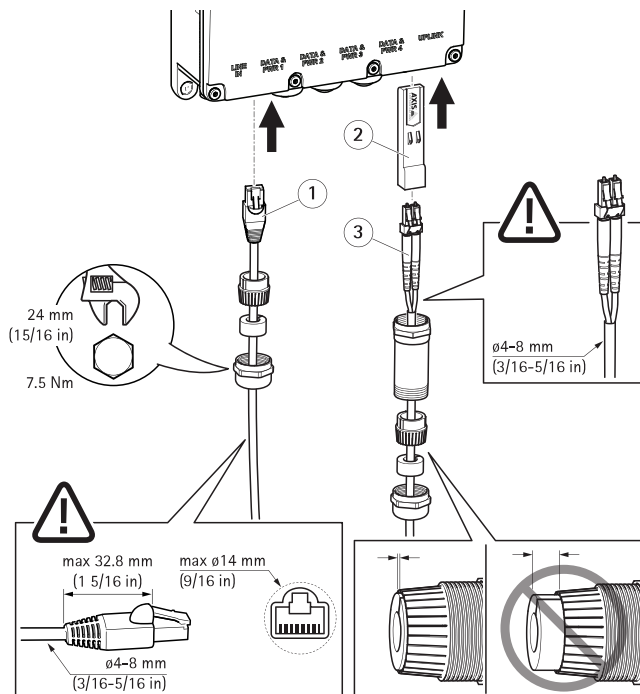
Le plus simple pour brancher les câbles est de commencer à gauche en raccordant le premier câble Ethernet au port Data Et PWR 1, puis de raccorder en dernier le module SFP au port à liaison montante.

# AXIS T8504-E Outdoor PoE Switch



- 1 Presse-étoupe métallique
- 2 Cache-poussière
- 3 Joint en caoutchouc
- 4 Doigts presseurs
- 5 Protection métallique

1. Retirez le presse-étoupe métallique en le tournant dans le sens anti-horaire. Pour brancher un module SFP, retirez également la protection métallique.
2. Retirez le joint en caoutchouc des doigts presseurs.
3. Jetez le cache-poussière ou conservez-le pour un usage ultérieur.



- 1 Câble Ethernet
- 2 Module SFP
- 3 Câbles à fibre optique

Comment raccorder un câble Ethernet :

1. Insérez le presse-étoupe métallique, le joint en caoutchouc et les doigts presseurs dans le câble Ethernet, dans cet ordre.
2. Insérez le joint en caoutchouc dans les doigts presseurs.
3. Branchez le câble dans la prise.
4. Fixez le presse-étoupe métallique au produit avec un effort de serrage.

Comment connecter un module SFP :

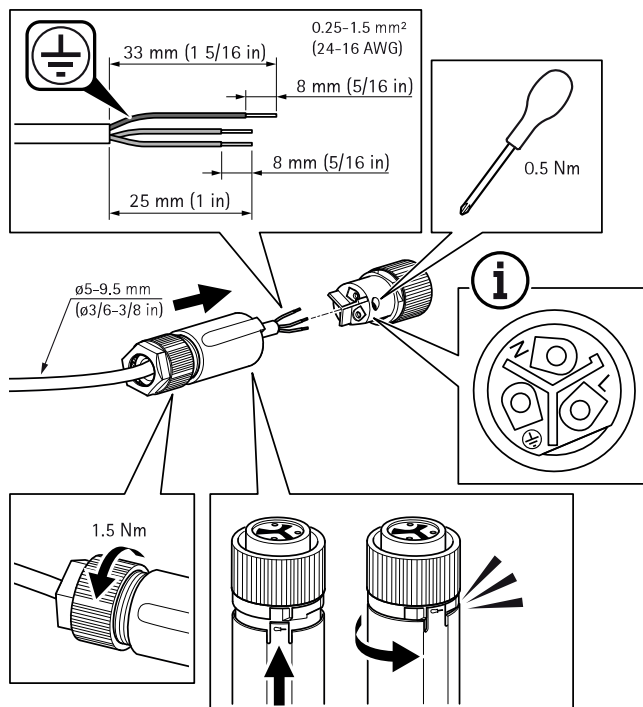
1. Insérez le module SFP dans le produit.
2. Insérez le presse-étoupe métallique, le joint en caoutchouc, les doigts presseurs et la protection métallique dans le câble à fibre optique, dans cet ordre.
3. Branchez le câble dans la prise.
4. Fixez la protection métallique au produit avec un effort de serrage.

# AXIS T8504-E Outdoor PoE Switch

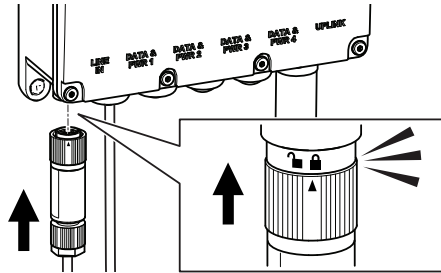
5. Insérez le joint en caoutchouc dans les doigts presseurs.
6. Fixez le presse-étoupe métallique à la protection métallique avec un effort de serrage.

## Branchement du bloc d'alimentation

Reportez-vous aux illustrations ci-dessous pour savoir comment brancher le connecteur d'alimentation.







## ⚠ AVERTISSEMENT

- Lorsque vous branchez l'alimentation secteur, assurez-vous que les polarités sont respectées (N, L et terre).
- Assurez-vous que l'alimentation secteur se trouve dans la plage autorisée (100 à 240 V CA).

## Comment accéder au produit

Si vous souhaitez rechercher des produits Axis sur le réseau, nous recommandons l'utilisation des applications AXIS IP Utility et AXIS Camera Management. Ces applications sont gratuites et peuvent être téléchargées depuis [www.axis.com/support](http://www.axis.com/support)

L'adresse IP par défaut est 192.168.0.254

**Nom d'utilisateur par défaut :** root

**Mot de passe par défaut :** Recherchez le mot de passe par défaut imprimé sur l'étiquette de votre périphérique.

### Important

Pour protéger votre produit de toute intrusion, modifiez toujours le nom d'utilisateur et le mot de passe avant de commencer à utiliser le produit.

Pour bénéficier pleinement de votre produit et le protéger contre toute intrusion, il est important de se connecter au produit afin de :

- Modifier le nom d'utilisateur et le mot de passe
- Attribuer une nouvelle adresse IP
- Activer le protocole HTTPS
- Vérifier que vous disposez de la dernière version du firmware

Pour plus d'informations concernant l'utilisation du produit, consultez le manuel de l'utilisateur disponible sur le site [www.axis.com](http://www.axis.com)

# AXIS T8504-E Outdoor PoE Switch

---

## Informations supplémentaires

- Pour en savoir plus sur les formations, les webinaires, les tutoriels et les guides, visitez le site [axis.com/academy](https://axis.com/academy).

## Accessoires en option

Pour une liste complète des accessoires disponibles pour ce produit, accédez à la page du produit sur [axis.com](https://axis.com) et sélectionnez Logiciel et accessoires.

## Specifications

### Connecteurs

#### Connecteur réseau

Connecteur Ethernet RJ45 avec l'alimentation par Ethernet (PoE).

Connecteur SFP.

### Consommation électrique

#### Caractéristiques électriques

Tension d'entrée	100–240 V CA (50–60 Hz)
Courant d'entrée (100–240 V CA)	2,5 Ampère (max)
Puissance de sortie disponible (max.)	150 W
Tension de sortie nominale	54 V CC

#### Interface

Liaison montante	Cage SFP
Sortie (DATA PWR OUT) : Ethernet 10/100/1000Base-T, plus 54 V CC (Prise femelle RJ45, avec tension continue)	Jusqu'à 150 W pour les options suivantes disponibles : ports 60 W (Ports 1 et 2) : Paires 1–2 et 3–6, 7–8 et 4–5 ports 30 W (Ports 3 et 4) : Paires 1–2 et 3–6
Entrée d'alimentation CA	3 broches entrées d'alimentation CA – Ligne, Neutre et mise à la terre

## AXIS T8504-E Outdoor PoE Switch

---

### Conditions d'utilisation

Produit	Température	Humidité
Axis T8504-E	De -40°C à 50°C (-40°F à 122°F)* pour 150 Watts De -40°C à 60°C (-40°F à 140°F)* pour 90 Watts	Maximale de 90 % (sans condensation)

## Informations sur la sécurité

### Niveaux de risques

#### **▲DANGER**

Indique une situation dangereuse qui, si elle n'est pas évitée, entraînera le décès ou des blessures graves.

#### **▲AVERTISSEMENT**

Indique une situation dangereuse qui, si elle n'est pas évitée, pourrait entraîner le décès ou des blessures graves.

#### **▲ATTENTION**

Indique une situation dangereuse qui, si elle n'est pas évitée, pourrait entraîner des blessures légères ou modérées.

#### **REMARQUE**

Indique une situation qui, si elle n'est pas évitée, pourrait endommager l'appareil.

### Autres niveaux de message

#### **Important**

Indique les informations importantes, nécessaires pour assurer le bon fonctionnement de l'appareil.

#### **Remarque**

Indique les informations utiles qui permettront d'obtenir le fonctionnement optimal de l'appareil.

## Consignes de sécurité

### **REMARQUE**

- Le produit Axis doit être utilisé conformément aux lois et règlements locaux.
- Utiliser uniquement des outils recommandés pour l'installation de l'appareil Axis. L'application d'une force excessive sur l'appareil avec des outils puissants pourrait l'endommager.
- Ne pas utiliser de produits chimiques, de substances caustiques ou de nettoyeurs pressurisés.
- Utiliser un chiffon propre imbibé d'eau pure pour le nettoyage.
- Utiliser uniquement des accessoires conformes aux caractéristiques techniques de votre produit. Ils peuvent être fournis par Axis ou un tiers. Axis recommande d'utiliser un équipement d'alimentation Axis compatible avec votre produit.
- Utiliser uniquement les pièces de rechange fournies ou recommandées par Axis.
- Ne pas essayer de réparer vous-même ce produit. Contacter l'assistance technique d'Axis ou votre revendeur Axis pour des problèmes liés à l'entretien.

## Transport

### **REMARQUE**

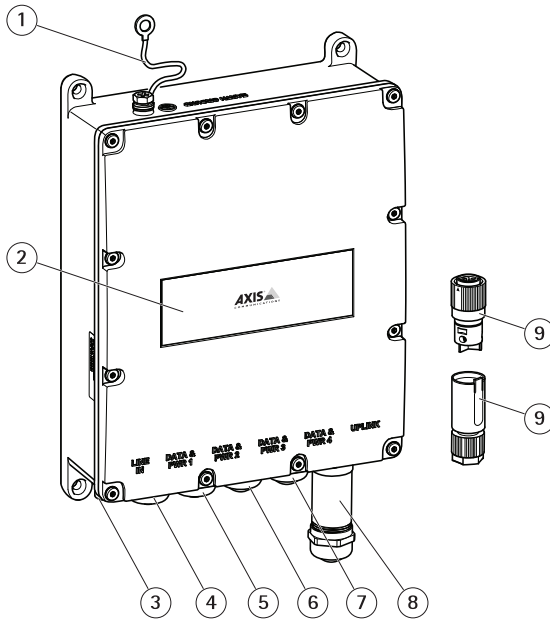
- Lors du transport du produit Axis, utilisez l'emballage d'origine ou un équivalent pour éviter d'endommager le produit.

## Lieferumfang

- AXIS T8504 PoE-Switch für den Außenbereich
- Netzanschluss
- Gedrucktes Material
  - Installationsanleitung (dieses Dokument)

# AXIS T8504-E Outdoor PoE Switch

## Produktübersicht



- 1 Erdungskabel
- 2 Produktaufkleber
- 3 Stromanschluss
- 4 RJ-45 PoE Port
- 5 RJ-45 PoE Port
- 6 RJ-45 PoE Port
- 7 RJ-45 PoE Port
- 8 SFP-Einschub
- 9 Netzanschluss



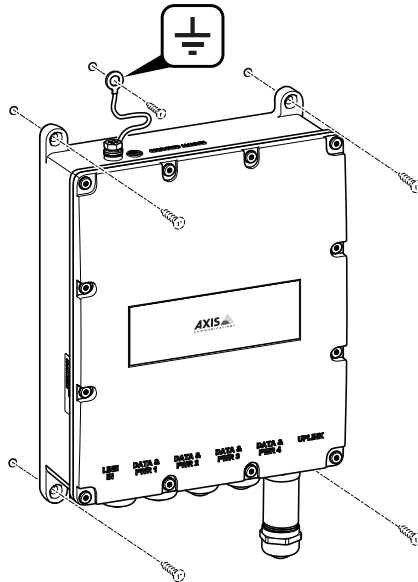
## Installieren des Produkts

### Das Produkt an der Wand anbringen

#### Hinweis

Eine Masthalterung ist erforderlich, um das Produkt an einem Mast anzubringen. Zubehör finden Sie auf [www.axis.com](http://www.axis.com).

1. Das Produkt an einer ebenen Fläche anbringen.



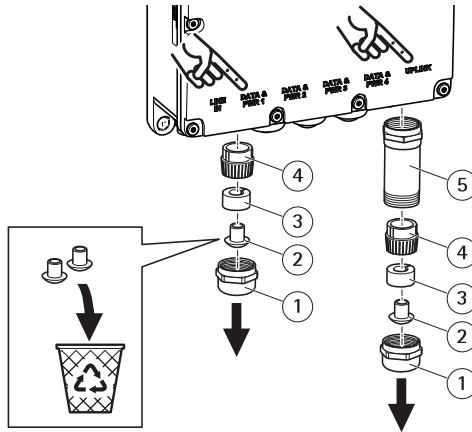
2. Das Produkt mit vier Schrauben anbringen.
3. Das Erdungskabel befestigen.

### Ein Ethernetkabel oder ein SFP-Modul anschließen.

#### Hinweis

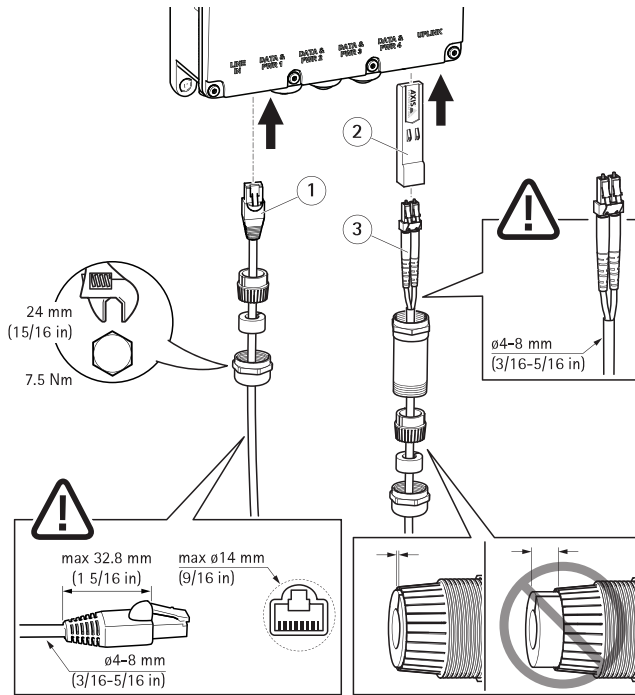
Die einfachste Methode: Von links beginnend zuerst das erste Ethernetkabel mit Anschluss Data und PWR 1 verbinden. Zuletzt das SFP-Modul mit dem Uplink-Port verbinden.

# AXIS T8504-E Outdoor PoE Switch



- 1 Kabelverschraubung aus Metall
- 2 Staubkappe
- 3 Gummidichtung
- 4 Druckfinger
- 5 Schutz aus Metall

1. Die Kabelverschraubung durch Drehen gegen den Uhrzeigersinn entfernen. Zum Anschließen eines SFP-Moduls ebenfalls den Schutz aus Metall entfernen.
2. Die Gummidichtung von den Druckfingern entfernen.
3. Die Staubkappe entsorgen oder zur Weiternutzung verwahren.



- 1 Ethernetkabel
- 2 SFP-Modul
- 3 Glasfaserkabel

Ein Ethernetkabel anschließen:

1. Nacheinander die Kabelverschraubung, die Gummidichtung und die Druckfinger am Ethernetkabel anbringen.
2. Die Gummidichtung in die Druckfinger einsetzen.
3. Das Kabel in die Buchse einsetzen.
4. Die Kabelverschraubung aus Metall auf Drehmoment anziehen.

Ein SFP-Modul anschließen:

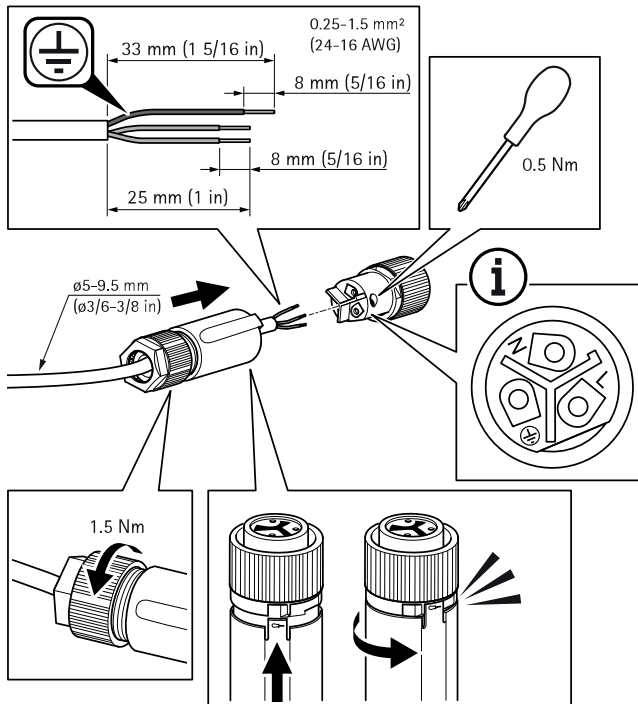
1. Das SFP-Modul in das Produkt einsetzen.
2. Nacheinander die Kabelverschraubung aus Metall, die Druckfinger und den Schutz aus Metall am Glasfaserkabel anbringen.
3. Das Kabel in die Buchse einsetzen.
4. Den Schutz aus Metall auf Drehmoment anziehen.

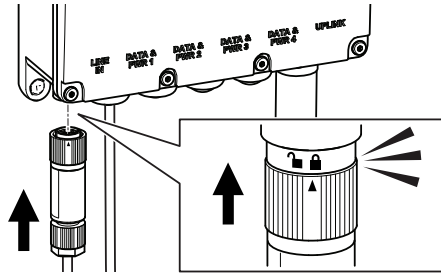
# AXIS T8504-E Outdoor PoE Switch

5. Die Gummidichtung in die Druckfingerring einsetzen.
6. Die Kabelverschraubung aus Metall mit dem Schutz aus Metall auf Drehmoment verbinden.

## Das Netzteil anschließen

Das Netzteil wie unten dargestellt anschließen.





## ⚠️ WARNUNG

- Beim Anschließen an das Wechselstromnetz sicherstellen, dass die Phase (L), der Neutraleiter (N) und der Schutzleiter (PE) korrekt an die entsprechenden Pole angeschlossen werden.
- Sicherstellen, dass die Wechselstromspannung im zulässigen Bereich liegt (100 bis 240 Volt).

## Zugriff auf das Produkt

Zum Finden von Axis-Produkten im Netzwerk werden AXIS IP Utility und AXIS Camera Management empfohlen. Beide Anwendungen sind kostenlos und können von [www.axis.com/support](http://www.axis.com/support) heruntergeladen werden.

Die Standard-IP-Adresse lautet 192.168.0.254.

**Standardbenutzername:** root

**Standardkennwort:** Suchen Sie nach dem Standardkennwort, das sich auf dem Etikett an Ihrem Gerät befindet.

### Wichtig

Um das Produkt vor nicht autorisiertem Zugriff zu schützen, vor dem Start des Produkts den Benutzernamen und das Kennwort ändern.

Für beste Leistung und um das Produkt vor nicht autorisiertem Zugriff zu schützen müssen zuerst folgende Optionen bearbeitet werden:

- Benutzername und Kennwort ändern
- Eine IP-Adresse zuweisen
- HTTPS aktivieren
- Sicherstellen, dass Firmware aktuell ist

Weitere Informationen zur Nutzung dieses Produkts finden Sie im Benutzerhandbuch auf [www.axis.com](http://www.axis.com).

# AXIS T8504-E Outdoor PoE Switch

---

## Weitere Informationen

- Nützliche Schulungen, Webinare, Anleitungen und Leitfäden finden Sie unter [axis.com/academy](https://axis.com/academy).

## Optionales Zubehör

Eine vollständige Liste lieferbaren Zubehörs für dieses Produkt finden Sie auf [axis.com](https://axis.com) unter Produkt, Software und Zubehör.

## Technische Daten

### Anschlüsse

#### Netzwerk-Anschluss

RJ45-Ethernetanschluss mit Power over Ethernet (PoE).

SFP-Anschluss.

### Leistungsaufnahme

#### Elektrische Spezifikationen

Eingangsspannung	100 bis 240 V Wechselstrom (50/60 Hz)
Eingangsstrom (100 bis 240 V Wechselstrom):	2,5 Amper (max.)
Verfügbare Ausgangsleistung (max.)	150 W
Ausgangsnennspannung	54 V Gleichstrom

#### Schnittstelle

Uplink	SFP-Einschub
Ausgang (DATA PWR OUT): Ethernet 10/100/1000Base-T, plus 54 V Gleichstrom RJ-45-Buchse mit Gleichstromspannung	Bis zu 150 W bei folgenden Optionen: 60 W Ports (Ports 1 und 2): Paare 1–2, 3–6, 7–8 sowie 4–5 30 W Ports (Ports 3 und 4): Paare 1–2 und 3–6
Wechselstromanschluss	Dreipoliger Wechselstromanschluss – Phase, Neutralleiter und Erdung

### Betriebsbedingungen

Produkt	Temperatur	Luftfeuchtigkeit
AXIS T8504-E	-40 °C bis +50 °C *bei 150 Watt -40 °C bis +60 °C * bei 90 Watt	Maximale relative Luftfeuchtigkeit 90 % (nicht kondensierend)





## Sicherheitsinformationen

### Gefährdungsstufen

#### **▲GEFAHR**

Weist auf eine gefährliche Situation hin, welche, falls nicht verhindert, zu Tod oder schweren Verletzungen führen kann.

#### **▲WARNUNG**

Weist auf eine gefährliche Situation hin, welche, falls nicht verhindert, zu Tod oder schweren Verletzungen führen kann.

#### **▲VORSICHT**

Weist auf eine gefährliche Situation hin, welche, falls nicht verhindert, zu geringfügiger oder mäßiger Verletzung führen kann.

#### **HINWEIS**

Weist auf eine gefährliche Situation hin, welche, falls nicht verhindert, zu Sachschäden führen kann.

DE

### Andere Meldeebenen

#### **Wichtig**

Weist auf wichtige Informationen hin, die den richtigen Betrieb des Produkts gewährleisten.

#### **Hinweis**

Weist auf nützliche Informationen hin, die die optimale Verwendung des Produkts unterstützen.

## Sicherheitsanweisungen

### **HINWEIS**

- Das Axis Produkt muss unter Beachtung der geltenden Gesetze und Bestimmungen betrieben werden.
- Verwenden Sie bei der Installation des Axis Produkts ausschließlich passende Werkzeuge. Ein zu großer Kraftaufwand mit elektrischen Werkzeugen kann das Produkt beschädigen.
- Verwenden Sie keine chemischen, ätzenden oder aerosolhaltigen Reinigungsmittel.
- Verwenden Sie zum Reinigen ein sauberes, mit destilliertem Wasser angefeuchtetes Tuch.
- Verwenden Sie nur Zubehör, das den technischen Vorgaben Ihres Produkts entspricht. Dieses ist von Axis oder Drittanbietern erhältlich. Axis empfiehlt die mit Ihrem Produkt kompatible Stromversorgung von Axis.
- Verwenden Sie ausschließlich Ersatzteile die von Axis angeboten oder empfohlen werden.
- Versuchen Sie nicht, dieses Produkt selbsttätig zu reparieren. Wenden Sie sich bezüglich Reparatur und Wartung an den Axis Support oder Ihren Axis Händler.

## Transport

### **HINWEIS**

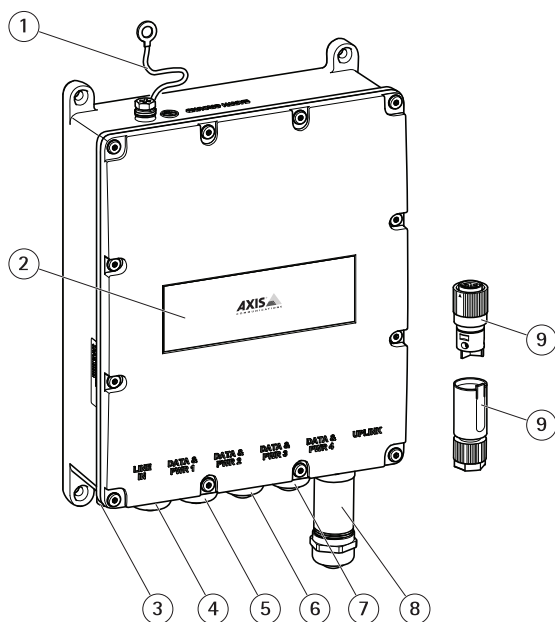
- Bei Bedarf transportieren Sie das Axis Produkt in der Originalverpackung oder einer entsprechenden Verpackung, so dass Schäden vermieden werden.

## Contenuto della confezione

- Switch PoE per esterni AXIS T8504-E
- Connettore di alimentazione
- Documentazione
  - Guida all'installazione (il presente documento)

# AXIS T8504-E Outdoor PoE Switch

## Panoramica del dispositivo



- 1 Cavo di terra
- 2 Etichetta dispositivi
- 3 Porta connettore di alimentazione
- 4 Porta RJ45 PoE
- 5 Porta RJ45 PoE
- 6 Porta RJ45 PoE
- 7 Porta RJ45 PoE
- 8 Slot SFP
- 9 Connettore di alimentazione

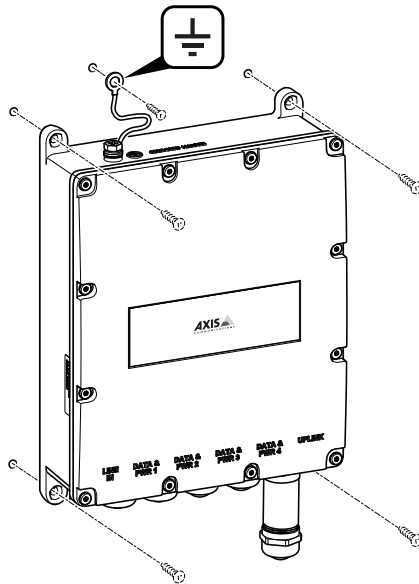
## Come installare il dispositivo

### Come montare il dispositivo alla parete

#### Nota

Per montare il dispositivo a un palo è necessaria un montaggio su palo. Per gli accessori, visitare il sito Web all'indirizzo: [www.axis.com](http://www.axis.com)

1. Posizionare il dispositivo su una superficie piana.



2. Fissare il dispositivo utilizzando quattro viti.
3. Serrare il cavo di messa a terra.

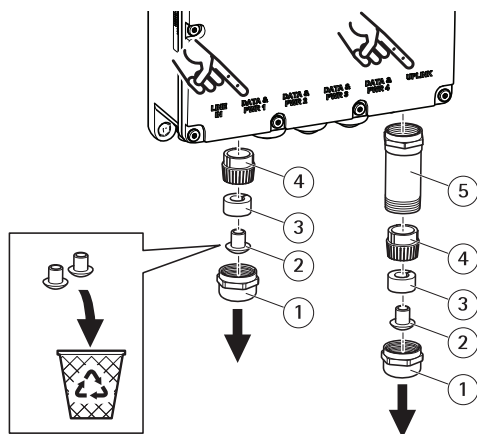
### Come collegare un cavo Ethernet o un modulo SFP

#### Nota

Il modo più semplice per collegare i cavi è di iniziare a sinistra con il primo cavo Ethernet a Data & PWR 1 e di collegare il modulo SFP nella porta Uplink alla fine.

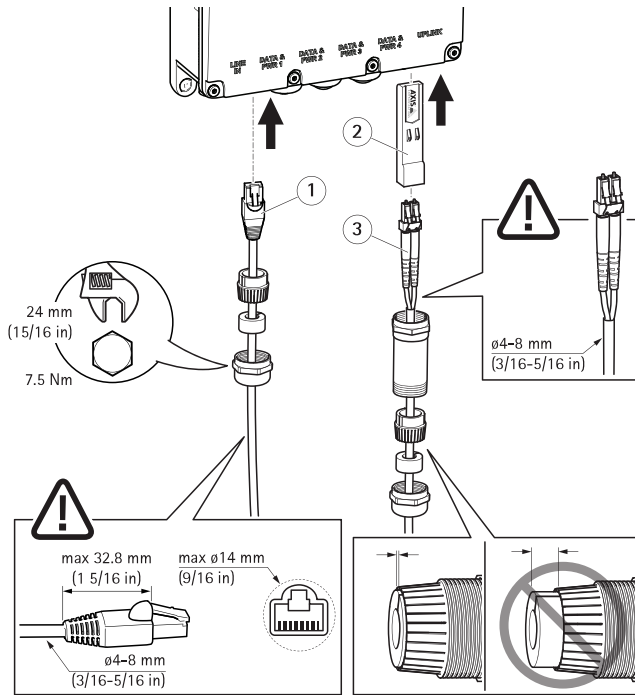
IT

## AXIS T8504-E Outdoor PoE Switch



- 1 *Pressacavo in metallo*
- 2 *Cappuccio antipolvere*
- 3 *Tenuta in gomma*
- 4 *Dita di pressione*
- 5 *Protezione in metallo*

1. Rimuovere il pressacavo in metallo ruotandolo in senso antiorario. Per collegare un modulo SFP rimuovere anche la protezione in metallo.
2. Scollegare la tenuta in gomma dalle dita di pressione.
3. Buttare il cappuccio antipolvere o conservarlo per usarlo in futuro.



- 1 Cavo Ethernet
- 2 Modulo SFP
- 3 Cavi in fibra ottica

Come collegare un cavo Ethernet:

1. Inserire il pressacavo in metallo, la tenuta in gomma e le dita di pressione nel cavo Ethernet, nell'ordine indicato.
2. Inserire la tenuta in gomma nelle dita di pressione.
3. Collegare il cavo alla presa.
4. Collegare il pressacavo in metallo al dispositivo con un serraggio.

Come collegare un modulo SFP:

1. Inserire il modulo SFP nel dispositivo.
2. Inserire il pressacavo in metallo, la tenuta in gomma, le dita di pressione e la protezione in metallo al cavo della fibra ottica, nell'ordine indicato.
3. Collegare il cavo alla presa.
4. Collegare la protezione in metallo al dispositivo con un serraggio.

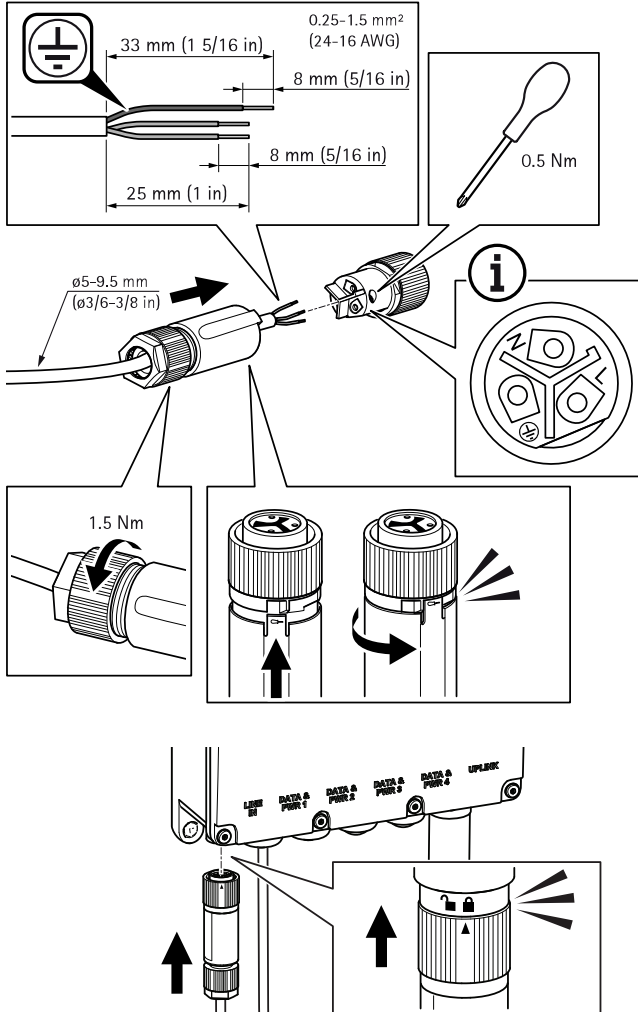
IT

# AXIS T8504-E Outdoor PoE Switch

5. Inserire la tenuta in gomma nelle dita di pressione.
6. Collegare il pressacavo in metallo alla protezione in metallo con un serraggio.

## Collegare l'alimentatore

Per informazioni su come collegare l'alimentatore, fare riferimento alle immagini seguenti.





## ▲AVVISO

- Quando si sta eseguendo la connessione dell'alimentatore CA assicurarsi che N, L e la messa a terra siano collegati alla polarità corretta.
- Assicurarsi che l'alimentatore CA rientri nell'intervallo specificato (100–240 V CA).

## Come accedere al dispositivo

AXIS IP Utility e AXIS Camera Management sono i metodi consigliati per trovare i dispositivi Axis in rete. Queste applicazioni sono entrambe gratuite e possono essere scaricate dal sito Web [www.axis.com/support](http://www.axis.com/support)

L'indirizzo IP predefinito è 192.168.0.254

**Nome utente predefinito:** root

**Password predefinita:** la password predefinita è stampata sull'etichetta del dispositivo.

### Importante

Per proteggere il dispositivo da eventuali intrusioni cambiare sempre il nome utente e la password prima di iniziare a utilizzarlo.

Per ottenere il massimo dal dispositivo e proteggerlo da intrusioni è importante accedere al dispositivo per:

- Cambiare il nome utente e la password
- Assegnare un nuovo indirizzo IP
- Abilitare HTTPS
- Controllare di disporre del firmware più recente

Per ulteriori informazioni sull'utilizzo del dispositivo, consultare il Manuale per l'utente disponibile sul sito Web all'indirizzo: [www.axis.com](http://www.axis.com)

## AXIS T8504-E Outdoor PoE Switch

---

### Ulteriori Informazioni

- Per servizi di formazione utili, webinar, tutorial e guide, visitare il sito [axis.com/academy](https://axis.com/academy).

### Accessori opzionali

Per un elenco completo degli accessori disponibili per questo dispositivo, andare alla pagina del dispositivo al sito [axis.com](https://axis.com) e selezionare Software e accessori.

## Specifiche

### Connettori

#### Connettore di rete

Connettore Ethernet RJ45 con Power over Ethernet (PoE+).

Connettore SFP.

### Consumo energetico

#### Specifiche elettriche

Tensione in ingresso	100–240 V CA (50/60Hz)
Corrente in ingresso (100–240 V CA)	2,5 Ampere (max)
Potenza in uscita disponibile (max.)	150 W
Tensione nominale in uscita	54 V CC

#### Interfaccia

Uplink	Gabbia SFP
Uscita (DATA PWR OUT): Ethernet 10/100/1000Base-T, più 54 V CC (Connettore RJ45 femmina con tensione CC)	Fino a 150 W dalle opzioni riportate di seguito: Porte 60 W (Porte 1 & 2): Coppie 1–2 & 3–6, 7–8 & 4–5 Porte 30 W (Porte 3 & 4): Coppie 1–2 & 3–6
Alimentazione in entrata	Alimentazione in entrata a 3 pin, Lineare, Neutrale e Massa a terra

### Condizioni di funzionamento

Dispositivo	Temperatura	Umidità
Axis T8504-E	da -40 °C a 50 °C * per 150 Watt da -40 °C a 60 °C * per 90 Watt	Massimo 90%, senza condensa



## Informazioni di sicurezza

### Livelli di pericolo

#### **▲PERICOLO**

Indica una situazione pericolosa che, se non evitata, provoca morte o lesioni gravi.

#### **▲AVVISO**

Indica una situazione pericolosa che, se non evitata, potrebbe provocare la morte o lesioni gravi.

#### **▲ATTENZIONE**

Indica una situazione pericolosa che, se non evitata, potrebbe provocare lesioni medie o minori.

#### **AVVISO**

Indica una situazione che, se non evitata, potrebbe danneggiare la proprietà.

IT

### Altri livelli di messaggio

#### **Importante**

Indica informazioni importanti, essenziali per il corretto funzionamento del dispositivo.

#### **Nota**

Indica informazioni utili che aiutano a ottenere il massimo dal dispositivo.

# AXIS T8504-E Outdoor PoE Switch

---

## Informazioni di sicurezza

### **AWISO**

- Il dispositivo Axis deve essere utilizzato in conformità alle leggi e alle normative locali.
- Utilizzare solo strumenti applicabili quando si installa il dispositivo Axis. Se si utilizza una forza eccessiva con strumenti non adatti è possibile causare danni al dispositivo.
- Non utilizzare sostanze chimiche, agenti caustici o detergenti aerosol.
- Utilizzare un panno pulito inumidito in acqua pura per la pulizia.
- Utilizzare solo accessori compatibili con le specifiche tecniche del dispositivo. Questi possono essere forniti da Axis o da terze parti. Axis consiglia l'uso dell'apparecchiatura di alimentazione Axis compatibile con il dispositivo.
- Utilizzare solo parti di ricambio fornite o consigliate da Axis.
- Non tentare di riparare il dispositivo da soli. Contattare l'assistenza o il rivenditore Axis per questioni relative alla manutenzione.

## Trasporto

### **AWISO**

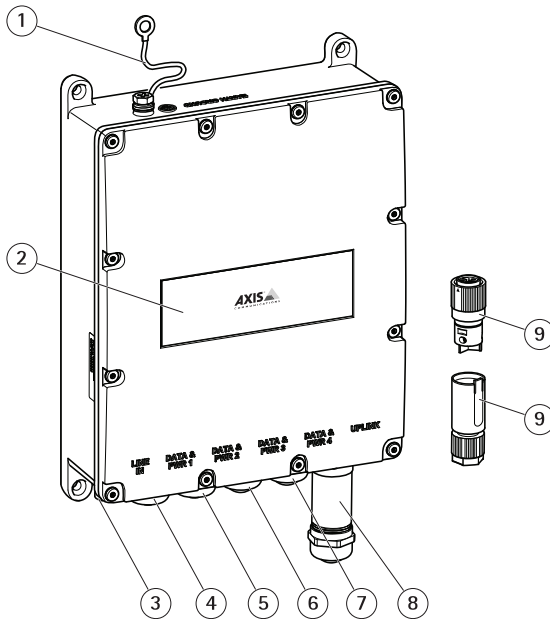
- Durante il trasporto del dispositivo Axis, utilizzare l'imballaggio originale o equivalente per evitare danni al dispositivo.

## Contenido del paquete

- Switch AXIS T8504-E PoE para exterior
- Conector de alimentación
- Materiales impresos
  - Guía de instalación (este documento)

# AXIS T8504-E Outdoor PoE Switch

## Información general del producto



- 1 Cable de tierra
- 2 Etiqueta del producto
- 3 Puerto del conector de alimentación
- 4 Puerto RJ45 PoE
- 5 Puerto RJ45 PoE
- 6 Puerto RJ45 PoE
- 7 Puerto RJ45 PoE
- 8 Ranura SFP
- 9 Conector de alimentación



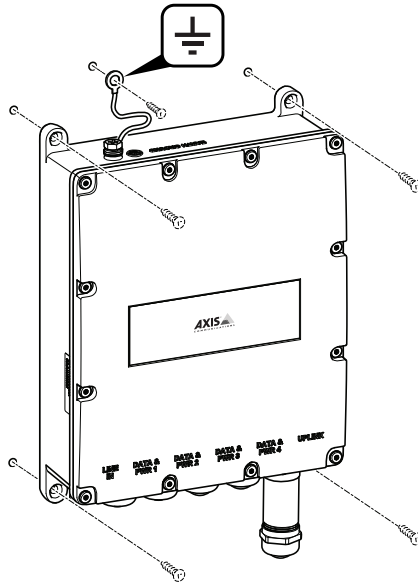
## Cómo instalar el producto

### Cómo montar el producto en la pared

#### Nota

Para montar el producto en un poste, necesita un montaje en poste. Para conocer los accesorios disponibles, consulte [www.axis.com](http://www.axis.com).

1. Coloque el producto apoyado en una superficie plana.



ES

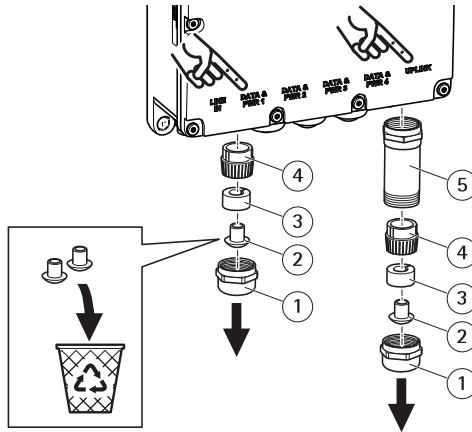
2. Asegure el producto utilizando los cuatro tornillos.
3. Fije el cable de toma de tierra.

### Cómo conectar un cable Ethernet o un módulo SFP

#### Nota

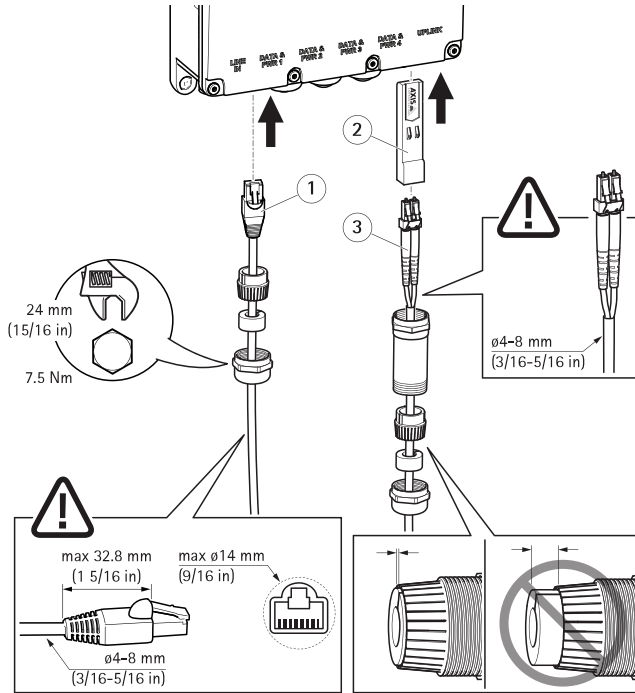
La manera más sencilla de conectar los cables es, empezando por el lado izquierdo, conectar el primer cable Ethernet a Data & PWR 1 y terminar conectando el módulo SFP en el puerto Uplink.

# AXIS T8504-E Outdoor PoE Switch



- 1 Prensaestopas metálico
- 2 Capuchón antipolvo
- 3 Junta de goma
- 4 Dedos de presión
- 5 Protección metálica

1. Retire el prensaestopas metálico girándolo en sentido contrario a las agujas del reloj. Para conectar un módulo SFP, retire también la protección metálica.
2. Separe la junta de goma de los dedos de presión.
3. Tire el capuchón antipolvo o guárdelo para un futuro uso.



- 1 Cable Ethernet
- 2 Módulo SFP
- 3 Cables de fibra óptica

## Cómo conectar un cable Ethernet:

1. Introduzca el prensaestopas metálico, la junta de goma y los dedos de presión en el cable Ethernet, en ese orden.
2. Introduzca la junta de goma en los dedos de presión.
3. Conecte el cable al conector.
4. Fije el prensaestopas metálico al producto con un par de apriete.

## Cómo conectar un módulo SFP:

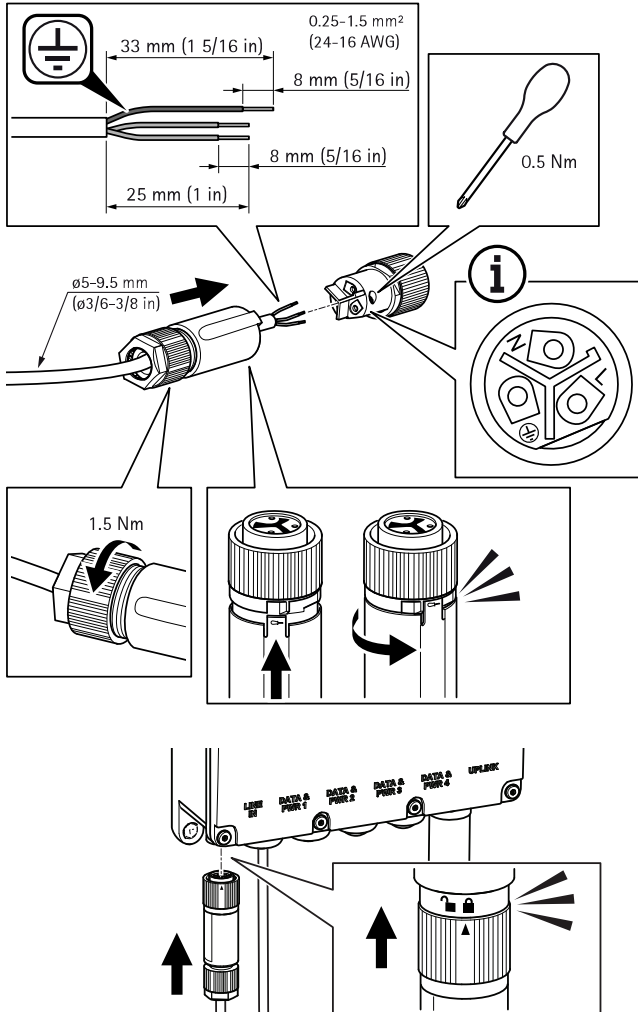
1. Introduzca el módulo SFP al producto.
2. Introduzca el prensaestopas metálico, la junta de goma, los dedos de presión y el protector metálico en el cable de fibra óptica, en ese orden.
3. Conecte el cable al conector.
4. Fije el protector metálico al producto con un par de apriete.

# AXIS T8504-E Outdoor PoE Switch

5. Introduzca la junta de goma en los dedos de presión.
6. Fije el prensaestopas metálico al protector metálico con un par de apriete.

## Conexión de la fuente de alimentación

Observe las siguientes imágenes para saber cómo conectar el conector de alimentación.



## ▲ADVERTENCIA

- Cuando conecte la alimentación de CA, asegúrese de que N, L y tierra estén conectados a la polaridad adecuada.
- Asegúrese de que la alimentación de CA se encuentre dentro del rango permitido (100–240 V CA).

## Cómo acceder al producto

AXIS IP Utility y AXIS Camera Management son los métodos recomendados para buscar los productos de Axis en la red. Las dos aplicaciones son gratuitas y se pueden descargar de [www.axis.com/support](http://www.axis.com/support)

La dirección IP predeterminada es 192.168.0.254

**Nombre de usuario predeterminado:** raíz

**Contraseña predeterminada:** Encuentre la contraseña predeterminada impresa en la etiqueta del dispositivo.

### Importante

Para proteger su producto de intrusiones, cambie siempre el nombre de usuario y la contraseña antes de empezar a utilizarlo.

Para sacarle el máximo partido al producto y protegerle de las intrusiones, es importante iniciar sesión en el producto en:

- Cambiar nombre de usuario y contraseña
- Asignar una nueva dirección IP
- Activar HTTPS
- Comprobar si dispone de la última versión de firmware

Para obtener más información sobre el uso del producto, consulte el manual del usuario, disponible en [www.axis.com](http://www.axis.com).

## AXIS T8504-E Outdoor PoE Switch

---

### Más información

- Para consultar cursos, seminarios web, tutoriales y guías que pueden resultarle útiles, vaya a [axis.com/academy](https://axis.com/academy).

### Accesorios opcionales

Para conocer una lista completa de los accesorios disponibles para este producto, vaya a la página [axis.com](https://axis.com) y seleccione Software y accesorios.

## Especificaciones

### Conectores

#### Conector de red

Conector Ethernet RJ45 con alimentación a través de Ethernet (PoE).

Conector SFP.

### Consumo de energía

*Especificaciones eléctricas*

Tensión de entrada	100–240 V CA (50/60 Hz)
Corriente de entrada (100–240 V CA)	2,5 amperios (máx.)
Potencia de salida disponible (máx.)	150 W
Tensión de salida nominal	54 V CC

ES

*Interfaz*

Uplink	Jaula SFP
Salida (DATA PWR OUT): Ethernet 10/100/1000Base-T, plus 54 V CC (Conector hembra RJ45, con tensión CC)	Hasta 150 W desde la siguientes opciones disponibles: Puertos de 60 W (puertos 1 y 2): Pares 1–2 y 3–6, 7–8 y 4–5 Puertos de 30 W (puertos 3 y 4): Pares 1–2 y 3–6
Entrada de alimentación de CA	Entrada de alimentación de CA de 3 pines: línea, neutro y tierra

### Condiciones de funcionamiento

Producto	Temperatura	Humedad
Axis T8504-E	De -40 °C a 50 °C* para 150 vatios De -40 °C a 60 °C* para 90 vatios	90 % máximo, sin condensación





## Información de seguridad

### Niveles de peligro

#### **▲PELIGRO**

Indica una situación peligrosa que, si no se evita, provocará lesiones graves o la muerte.

#### **▲ADVERTENCIA**

Indica una situación peligrosa que, si no se evita, puede provocar lesiones graves o la muerte.

#### **▲PRECAUCIÓN**

Indica una situación peligrosa que, si no se evita, puede provocar lesiones moderadas o leves.

#### **AVISO**

Indica una situación peligrosa que, si no se evita, puede provocar daños materiales.

ES

### Otros niveles de mensaje

#### Importante

Indica información importante que es fundamental para que el producto funcione correctamente.

#### Nota

Indica información útil que ayuda a aprovechar el producto al máximo.

# AXIS T8504-E Outdoor PoE Switch

---

## Instrucciones de seguridad

### **AVISO**

- Este producto de Axis debe utilizarse de acuerdo con las leyes y normativas locales.
- Utilice solo las herramientas correspondientes cuando instale el producto de Axis. La aplicación de una fuerza excesiva con herramientas eléctricas puede provocar daños en el producto.
- No utilice limpiadores en aerosol, agentes cáusticos ni productos químicos.
- Limpie con un paño limpio humedecido con agua pura.
- Utilice solo accesorios que cumplan con las especificaciones técnicas de su producto. Estos accesorios los puede proporcionar Axis o un tercero. Axis recomienda utilizar un equipo de suministro de alimentación de Axis compatible con su producto.
- Utilice solo piezas de repuesto proporcionadas o recomendadas por Axis.
- No intente reparar el producto usted mismo. Póngase en contacto con el servicio de asistencia técnica de Axis o con su distribuidor de Axis para tratar asuntos de reparación.

## Transporte

### **AVISO**

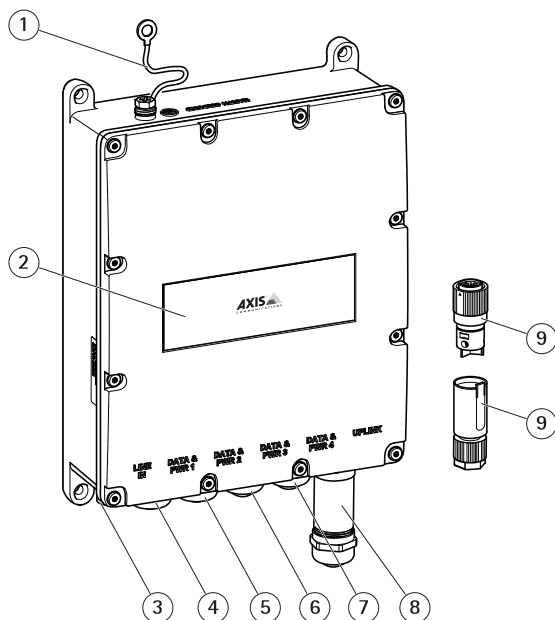
- Cuando transporte el producto de Axis, utilice el embalaje original o un equivalente para evitar daños en el producto.

## パッケージの内容

- AXIS T8504-E屋外用PoEスイッチ
- 電源コネクタ
- 印刷物
  - インストールガイド(本書)

# AXIS T8504-E Outdoor PoE Switch

## 製品の概要



- 1 アースケーブル
- 2 製品ラベル
- 3 電源コネクタポート
- 4 RJ45 PoEポート
- 5 RJ45 PoEポート
- 6 RJ45 PoEポート
- 7 RJ45 PoEポート
- 8 SFPスロット
- 9 電源コネクタ

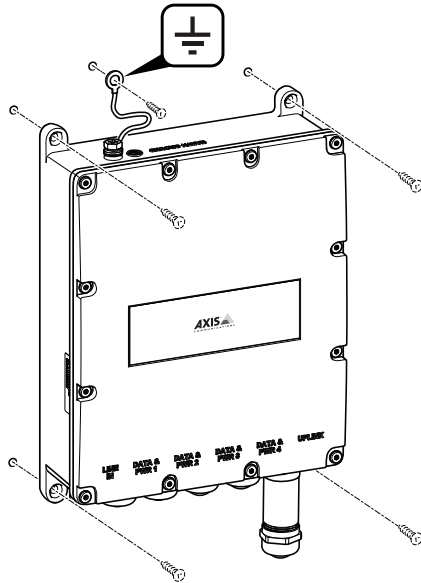
## 製品の取り付け方法

### 製品を壁面に取り付ける方法

注

製品をポールに取り付けるには、ポール取付金具が必要です。アクセサリについては、[www.axis.com](http://www.axis.com)をご覧ください。

1. 製品を平面に配置します。



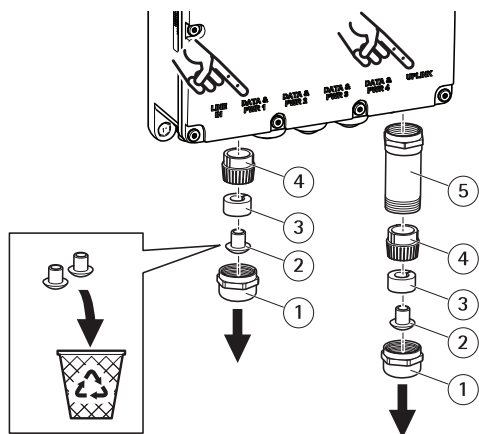
2. 4本のネジを使用して、製品を固定します。
3. アースケーブルを固定します。

### イーサネットケーブルまたはSFPモジュールの接続方法

注

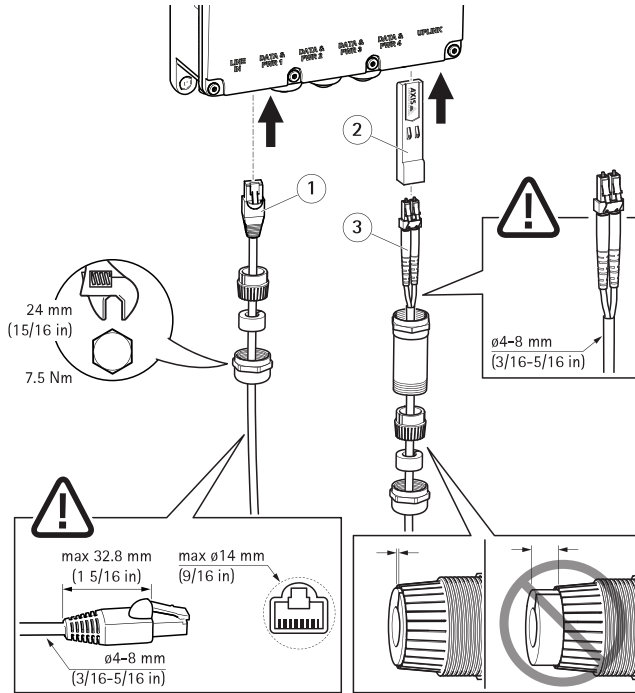
ケーブルを接続するには、最初のイーサネットケーブルを左側のData & PWR 1に接続することから始め、最後にSFPモジュールをUplinkポートに接続するのが最も簡単な方法です。

## AXIS T8504-E Outdoor PoE Switch



- 1 金属製グラウンド
- 2 ダストキャップ
- 3 ゴムシール
- 4 プレッシャーフィンガー
- 5 金属製保護カバー

1. 金属製グラウンドを反時計回りに回して外します。SFPモジュールを接続するときは、金属製保護カバーも外します。
2. ゴムシールをプレッシャーフィンガーから外します。
3. ダストキャップを捨てるか、今後の使用のために保管します。



- 1 イーサネットケーブル
- 2 SFPモジュール
- 3 光ファイバーケーブル

## イーサネットケーブルの接続方法:

1. 金属製グラウンド、ゴムシール、プレッシャーフィンガーの順に、イーサネットケーブルに差し込みます。
2. ゴムシールをプレッシャーフィンガーの中に入れ込みます。
3. ケーブルをソケットに接続します。
4. トルクレンチで金属製グラウンドを製品に取り付けます。

## SFPモジュールの接続方法:

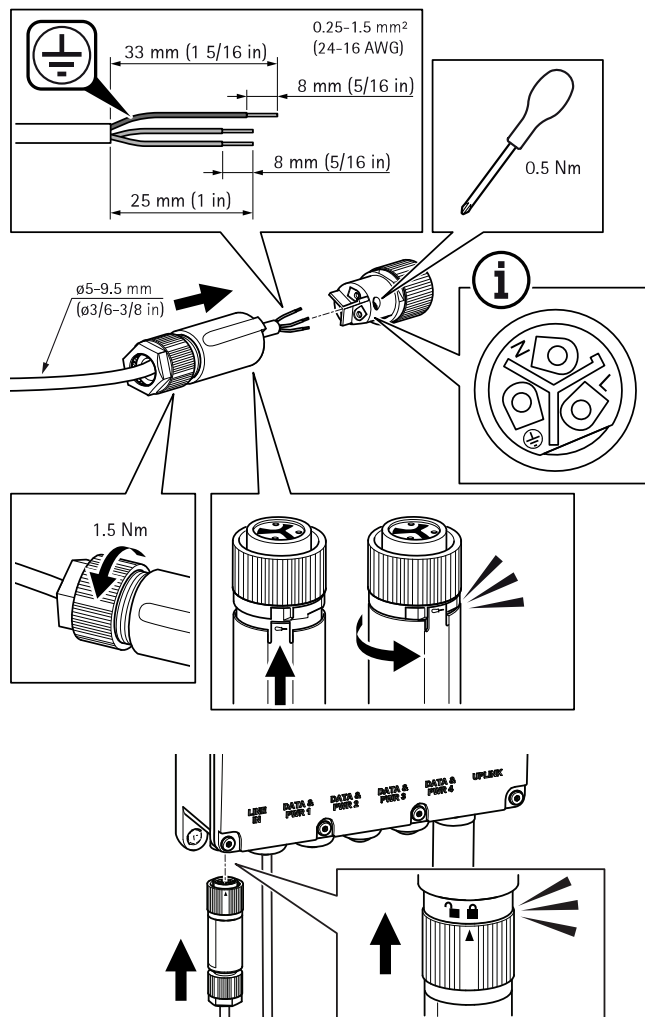
1. 製品にSFPモジュールを差し込みます。
2. 金属製グラウンド、ゴムシール、プレッシャーフィンガー、金属製保護カバーの順に、光ファイバーケーブルに差し込みます。
3. ケーブルをソケットに接続します。
4. トルクレンチで金属製保護カバーを製品に取り付けます。

# AXIS T8504-E Outdoor PoE Switch

5. ゴムシールをプレッシャーフィンガーの中に入れて込みます。
6. トルクレンチで金属製グラウンドを金属製保護カバーに取り付けます。

## 電源の接続

電源コネクタの接続方法については、下の図を参照してください。





## ▲警告

- AC電源に接続するときは、N、L、グラウンドが適切な極性に接続されていることを確認します。
- AC電源が許容範囲(100~240 V AC)を超えていないことを確認します。

## 製品のアクセス方法

ネットワーク上でAxis製品を検索するには、AXIS IP UtilityまたはAXIS Camera Managementの使用をお勧めします。いずれのアプリケーションも無料で、[www.axis.com/support](http://www.axis.com/support)からダウンロードできます。

デフォルトのIPアドレスは192.168.0.254です。

**デフォルトのユーザー名:** root

**デフォルトのパスワード:** デバイスのラベルに印刷されたデフォルトのパスワードを確認します。

## 重要

製品を侵入から保護するため、製品の使用を開始する前に、必ずユーザー名とパスワードを変更してください。

JA

製品を最大限に活用し、侵入から製品を保護するには、製品にログインして、次の操作を行うことが重要です。

- ユーザー名とパスワードの変更
- 新しいIPアドレスの設定
- HTTPSの有効化
- 最新のファームウェアを使用していることの確認

製品の使用の詳細については、Axisのホームページ ([www.axis.com](http://www.axis.com)) でユーザーズマニュアルを参照してください

### 関連情報

- 役に立つトレーニング、webセミナー、チュートリアル、ガイドについては、[axis.com/academy](https://axis.com/academy)をご覧ください。

### オプションアクセサリ

本製品で利用可能なすべてのアクセサリについては、[axis.com](https://axis.com)で本製品のページを開いて「ソフトウェア&アクセサリ」を参照してください。

## 仕様

### コネクタ

#### ネットワークコネクタ

Power over Ethernet (PoE) 対応RJ45イーサネットコネクタ  
SFPコネクタ。

### 消費電力

#### 電氣的仕様

入力電圧	100~240 V AC (50/60Hz)
入力電流 (100~240 V AC)	2.5 A (最大)
出力可能電力 (最大)	150 W
通常出力電圧	54 V DC

JA

#### インターフェース

アップリンク	SFPケージ
出力 (DATA PWR OUT): イーサネット10/100/1000Base-T、+54 V DC (RJ45メス型ソケット、DC電圧)	以下のオプションから、最大150 Wまで選択できます。 60 Wポート (ポート1と2): 1-2と3-6のペア、7-8と4-5のペア 30 Wポート (ポート3と4): 1-2と3-6のペア
AC電源入力	3ピンAC電源入力ライン、ニュートラル、アース

## AXIS T8504-E Outdoor PoE Switch

---

### 動作条件

製品	温度	湿度
AXIS T8504-E	150ワットの場合、 -40° C~50° C * 90ワットの場合、 -40° C~60° C ° *	最大 90% (結露不可)

## 安全情報

### 危険レベル

#### ▲危険

回避しない場合、死亡または重傷につながる危険な状態を示します。

#### ▲警告

回避しない場合、死亡または重傷につながるおそれのある危険な状態を示します。

#### ▲注意

回避しない場合、軽傷または中程度の怪我につながるおそれのある危険な状態を示します。

#### 注意

回避しない場合、器物の破損につながるおそれのある状態を示します。

### その他のメッセージレベル

#### 重要

製品を正しく機能させるために不可欠な重要情報を示します。

#### 注

製品を最大限に活用するために役立つ有用な情報を示します。

# AXIS T8504-E Outdoor PoE Switch

---

## 安全手順

### 注意

- 本製品は、お使いになる地域の法律や規制に準拠して使用してください。
- 本製品を設置する際には、適切な工具のみを使用してください。電動工具を使用して過剰な力をかけると、製品が損傷することがあります。
- 化学薬品、腐食剤、噴霧式クリーナーは使用しないでください。
- 清掃には、きれいな水に浸した清潔な布を使用してください。
- 製品の技術仕様に準拠したアクセサリのみを使用してください。これらのアクセサリは、Axisまたはサードパーティから入手できます。Axisは、ご使用の製品と互換性のあるAxis給電ネットワークスイッチの使用を推奨します。
- Axisが提供または推奨する交換部品のみを使用してください。
- 製品を自分で修理しないでください。修理については、Axisサポートまたは販売代理店にお問い合わせください。

## 輸送

### 注意

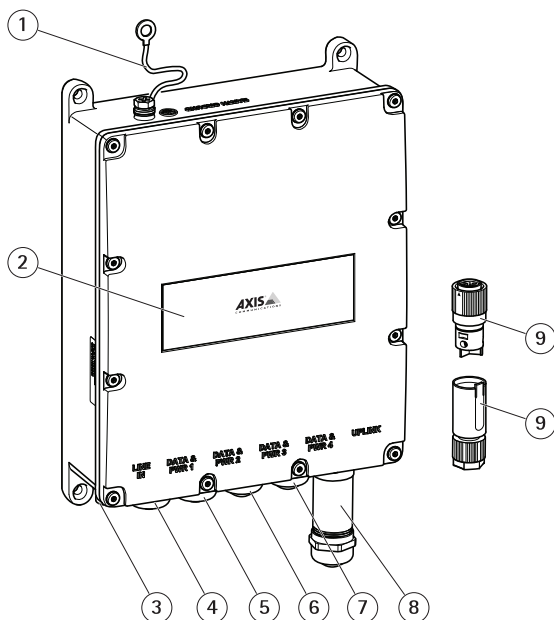
- 本製品を運搬する際は、製品が損傷しないよう、元の梱包が同等の梱包を使用してください。

## 包装内容

- AXIS T8504-E 室外 PoE 交换机
- 电源连接器
- 印刷材料
  - 安装指南（本文档）

# AXIS T8504-E Outdoor PoE Switch

## 产品概述



- 1 接地电缆
- 2 产品标签
- 3 电源连接器端口
- 4 RJ45 PoE 端口
- 5 RJ45 PoE 端口
- 6 RJ45 PoE 端口
- 7 RJ45 PoE 端口
- 8 SFP 插槽
- 9 电源连接器



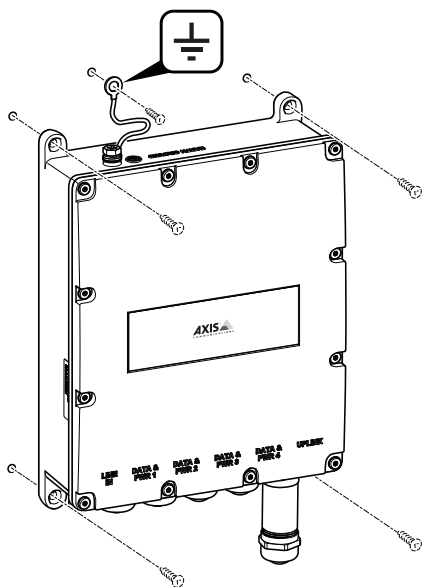
## 如何安装产品

### 如何将产品安装在墙壁上

注

要将产品安装在一根杆上，则需要一个立杆托架。关于附件，请参见 [www.axis.com](http://www.axis.com)

1. 使产品紧靠在平滑表面上。



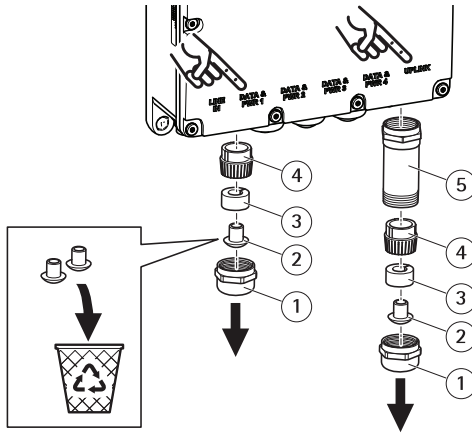
2. 使用 4 个螺丝紧固产品。
3. 紧固接地电缆。

### 如何连接以太网电缆或 SFP 模块

注

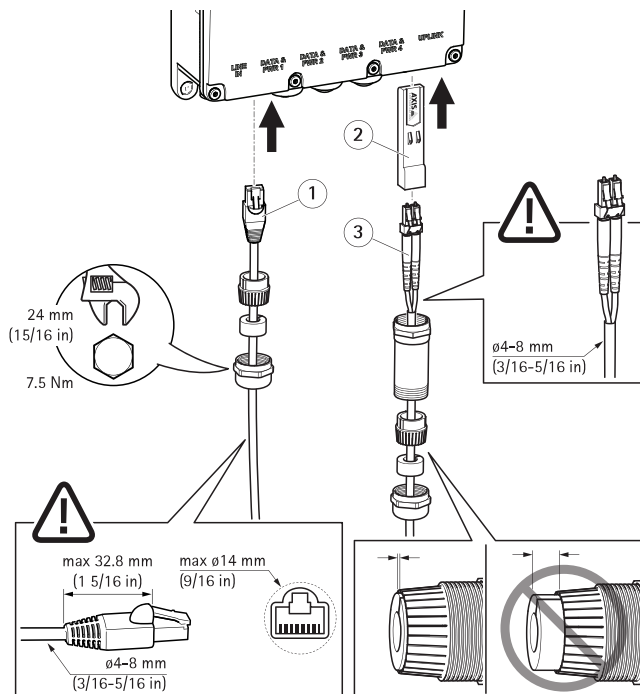
连接电缆比较简便的方法是从左侧开始，先将第一根以太网电缆连接至 Data & PWR 1，最后将 SFP 模块连接在 Uplink 端口。

# AXIS T8504-E Outdoor PoE Switch



- 1 金属套管
- 2 防尘盖
- 3 橡胶密封
- 4 压指
- 5 金属防护

1. 通过逆时针转动金属套管以将其拆下。如要连接 SFP 模块，则还需拆下金属防护。
2. 将橡胶密封与压指分离。
3. 丢弃防尘盖或将其保存以供日后使用。



- 1 以太网电缆
- 2 SFP 模块
- 3 光纤电缆

如何连接以太网电缆：

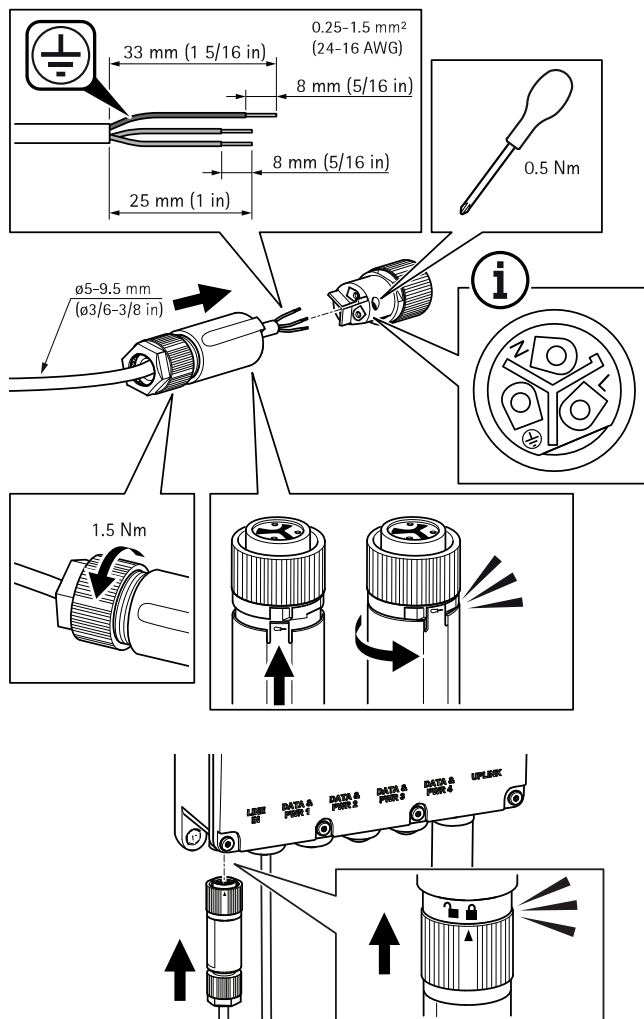
1. 将金属套管、橡胶密封和压指按此顺序插入至以太网电缆。
2. 将橡胶密封插入压指。
3. 将电缆连接至插座。
4. 施加扭矩将金属套管连接至该产品。

如何连接 SFP 模块：

1. 将 SFP 模块插入该产品。
2. 将金属套管、橡胶密封、压指和金属防护按此顺序插入至光纤电缆。
3. 将电缆连接至插座。
4. 利用扭矩将金属防护连接至该产品。
5. 将橡胶密封插入压指。
6. 施加扭矩将金属套管连接至金属防护。

## 连接电源

查看下图了解如何连接电源连接器。



### 警告

- 当您连接交流电源时，请确保将零线、火线和接地连接至正确极性。
- 请确保交流电源电压在容许范围（100-240 V 交流电）内。

## 如何访问产品

AXIS IP Utility 和 AXIS Camera Management 是用于在网络上查找安讯士产品的建议方法。这两种应用程序都是免费的，可以从 [www.axis.com/support](http://www.axis.com/support) 上进行下载

默认 IP 地址为 192.168.0.254

**默认用户名：** root

**默认密码：** 查找在设备上的标签上打印的默认密码。

### 重要

为了保护您的产品免受入侵，在您开始使用产品前请始终更改用户名和密码。

为了充分利用您的产品并保护您的产品免受入侵，请务必登录产品以：

- 更改用户名和密码
- 分配一个新 IP 地址
- 启用 HTTPS
- 检查您是否拥有最新固件

有关使用产品的更多信息，请参阅 [www.axis.com](http://www.axis.com) 上提供的用户手册

# AXIS T8504-E Outdoor PoE Switch

---

## 更多信息

- 如需有用的培训、在线研讨会、教程和指南，请参见 [www.axis.com/academy](http://www.axis.com/academy)。

## 可选附件

欲查看本产品可用附件的完整列表，请转到 [axis.com](http://axis.com) 上的产品页并选择“软件和附件”。

## 规格

### 连接器

#### 网络连接器

采用以太网供电 (PoE) 的 RJ45 以太网连接器。

SFP 连接器。

### 功耗

#### 电气规格

输入电压	100–240 V AC (50/60Hz)
输入电流 (100–240 V AC)	2.5 安培 (最大)
可用输出功率 (最大)	150 W
标称输出电压	54 V DC

ZH

#### 接口

Uplink	SFP 外罩
输出 (DATA PWR OUT): 以太网 10/100/1000Base-T, 增强版 54 V DC (RJ45 母插座, 带直流电压)	在以下可用选项中高达 150 W: 60 W 端口 (端口 1 和 2): 线对 1–2 和 3–6、7–8 和 4–5 30 W 端口 (端口 3 和 4): 线对 1–2 和 3–6
AC 电源输入	3 针脚 AC 电源输入 – 火线、零线和接地

# AXIS T8504-E Outdoor PoE Switch

---

## 工作条件

产品	温度	湿度
Axis T8504-E	-40° C 到 50° C ( -40° F 到 122° F ) *, 针对 150 瓦产品 -40° C 到 60° C ( -40° F 到 140° F ) *, 针对 90 瓦产品	最高 90%, 非冷凝



## 安全信息

### 危险等级

#### ▲危险

表示如果不避免则会导致死亡或严重伤害的危险情况。

#### ▲警告

表示如果不避免则可能导致死亡或严重伤害的危险情况。

#### ▲警示

表示如果不避免则可能导致轻微或中度伤害的危险情况。

#### 注意

表示如果不避免则可能导致财产损失的情况。

### 其他消息等级

#### 重要

表示产品正常工作所必需的重要信息。

#### 注

表示有助于充分利用产品的有用信息。

## 安全说明

### 注意

- 使用 Axis 产品时应遵守当地法律和法规。
- 安装安讯士产品时，仅使用适用的工具。使用电动工具过度施力可能导致产品损坏。
- 请勿使用化学品、腐蚀剂或气雾剂。
- 使用蘸纯净水的干净布进行清洁。
- 仅使用符合产品技术规格的附件。这些附件可由安讯士或第三方提供。安讯士推荐使用与产品兼容的安讯士电源设备。
- 仅使用安讯士提供或推荐的备件。
- 请勿尝试自行维修产品。有关服务事项，请联系安讯士支持部门或安讯士经销商。

## 运输

### 注意

- 安讯士产品运输途中，应使用其原包装或等效包装，以防对产品造成损坏。



Installation guide

AXIS T8504-E Outdoor PoE Switch

© 2017 - 2023 Axis Communications AB

Ver. M7.2

Date: October 2023

Part no. 2143850