

AXIS T8415 Wireless Installation Tool

ENGLISH

Installation Guide

Read this first

Read through this Installation Guide carefully before installing the product. Keep the Installation Guide for future reference.

Legal considerations

Video and audio surveillance can be regulated by laws that vary from country to country. Check the laws in your local region before using this product for surveillance purposes.

Liability

Every care has been taken in the preparation of this document. Please inform your local Axis office of any inaccuracies or omissions. Axis Communications AB cannot be held responsible for any technical or typographical errors and reserves the right to make changes to the product and manuals without prior notice. Axis Communications AB makes no warranty of any kind with regard to the material contained within this document, including, but not limited to, the implied warranties of merchantability and fitness for a particular purpose. Axis Communications AB shall not be liable nor responsible for incidental or consequential damages in connection with the furnishing, performance or use of this material. This product is only to be used for its intended purpose.

Intellectual property rights

Axis AB has intellectual property rights relating to technology embodied in the product described in this document. In particular, and without limitation, these intellectual property rights may include one or more of the patents listed at axis.com/patent and one or more additional patents or pending patent applications in the US and other countries.

Equipment modifications

This equipment must be installed and used in strict accordance with the instructions given in the user documentation. This equipment contains no user-serviceable components. Unauthorized equipment changes or modifications will invalidate all applicable regulatory certifications and approvals.

Trademark acknowledgements

AXIS COMMUNICATIONS, AXIS and VAPIX are registered trademarks or trademark applications of Axis AB in various jurisdictions. All other company names and products are trademarks or registered trademarks of their respective companies.

Apple, Apache, Bonjour, Ethernet, Internet Explorer, Linux, Microsoft, Mozilla, Real, SMPTE, QuickTime, UNIX, Windows, and WWW are registered trademarks of the respective holders. Java and all Java-based trademarks and logos are trademarks or registered trademarks of Oracle and/or its affiliates. The UPnP Word Mark and UPnP Logo are trademarks of Open Connectivity Foundation, Inc. in the United States or other countries.

Regulatory information

Europe



This product is restricted to indoor use only.

This product complies with the applicable CE marking directives and harmonized standards:

- Electromagnetic Compatibility (EMC) Directive 2014/30/EU. See *Electromagnetic compatibility (EMC) on page 2*.

- Radio Equipment Directive (RED) 2014/53/EU. See *Radio transmission on page 3*.
- Low Voltage Directive (LVD) 2014/35/EU. See *Safety on page 4*.
- Restriction of Hazardous Substances (RoHS) Directive 2011/65/EU, including any amendments, updates or replacements. See *Disposal and recycling on page 4*.

A copy of the original declaration of conformity may be obtained from Axis Communications AB. See *Contact information on page 4*.

Electromagnetic compatibility (EMC)

This equipment has been designed and tested to fulfill applicable standards for:

- Radio frequency emission when installed according to the instructions and used in its intended environment.
- Immunity to electrical and electromagnetic phenomena when installed according to the instructions and used in its intended environment.

USA

This device complies with part 15 of the FCC Rules. Operation is subject to the following two conditions:

1. This device may not cause harmful interference, and
2. This device must accept any interference received, including interference that may cause undesired operation.

Using an unshielded network cable (UTP) – This equipment has been tested using an unshielded network cable (UTP) and found to comply with the limits for a Class A digital device, pursuant to part 15 of the FCC Rules. These limits are designed to provide reasonable protection against harmful interference when the equipment is operated in a commercial environment. This equipment generates, uses, and can radiate radio frequency energy and, if not installed and used in accordance with the instruction manual, may cause harmful interference to radio communications. Operation of this equipment in a residential area is likely to cause harmful interference in which case the user will be required to correct the interference at his own expense.

Using a shielded network cable (STP) – This equipment has also been tested using a shielded network cable (STP) and found to comply with the limits for a Class B digital device, pursuant to part 15 of the FCC Rules. These limits are designed to provide reasonable protection against harmful interference in a residential installation. This equipment generates, uses and can radiate radio frequency energy and, if not installed and used in accordance with the instructions, may cause harmful interference to radio communications. However, there is no guarantee that interference will not occur in a particular installation. If this equipment does cause harmful interference to radio or television reception, which can be determined by turning the equipment off and on, the user is encouraged to try to correct the interference by one or more of the following measures:

- Reorient or relocate the receiving antenna.
- Increase the separation between the equipment and receiver.
- Connect the equipment into an outlet on a circuit different from that to which the receiver is connected.
- Consult the dealer or an experienced radio/TV technician for help.

To be used in a residential area or a demanding electrical environment, the product shall be connected using a shielded network cable (STP) that is properly grounded.

Contact information

Axis Communications Inc.

300 Apollo Drive
Chelmsford, MA 01824
United States of America
Tel: +1 978 614 2000

Canada

This digital apparatus complies with CAN ICES-3 (Class B). The product shall be connected using a shielded network cable (STP) that is properly grounded. Cet appareil numérique est conforme à la norme CAN NMB-3 (classe B). Le produit doit être connecté à l'aide d'un câble réseau blindé (STP) qui est correctement mis à la terre.

Europe

This digital equipment fulfills the requirements for RF emission according to the Class B limit of EN 55032. The product shall be connected using a shielded network cable (STP) that is properly grounded.

Australia/New Zealand

This digital equipment fulfills the requirements for RF emission according to the Class B limit of AS/NZS CISPR 32. The product shall be connected using a shielded network cable (STP) that is properly grounded.

Japan

この装置は、クラスB機器です。この装置は、住宅環境で使用することを目的としていますが、この装置がラジオやテレビジョン受信機に近接して使用されると、受信障害を引き起こすことがあります。取扱説明書に従って正しい取り扱いをして下さい。VCCI-B
本製品は、シールドネットワークケーブル(STP)を使用して接続してください。また適切に接地してください。

Korea

이 기기는 가정용(B급) 전자파 적합 기기로서 주로 가정에서 사용하는 것을 목적으로 하며, 모든 지역에서 사용할 수 있습니다. 적절히 접지된 STP (shielded twisted pair) 케이블을 사용하여 제품을 연결하십시오.

Radio transmission

This radio equipment operates at 2.4 and 5.2 GHz, with a maximum output power of 100 and 200 mW respectively. This product is restricted to indoor use only.

This equipment may generate or use radio frequency energy. The user could lose the authority to operate this equipment if an unauthorized change or modification is made.

USA

This product complies with FCC radiation exposure limits for an uncontrolled environment. This equipment shall be installed and operated with a minimum distance of 20 cm (7.9 in) between the user and the device.

Canada

This device complies with Industry Canada licence-exempt RSS standard(s). Operation is subject to the following two conditions: (1) this device may not cause interference, and (2) this device must accept any interference, including interference that may cause undesired operation of the device.

This product complies with IC radiation exposure limits for an uncontrolled environment. This equipment shall be installed and operated with a minimum distance of 20 cm (7.9 in) between the user and the device. This device for operation in the frequency band 5150-5250 MHz is only for indoor use to reduce the potential for harmful interference to co-channel mobile satellite systems. Le présent appareil est conforme aux CNR d'Industrie Canada applicables aux appareils radio exempts de licence.

L'exploitation est autorisée aux deux conditions suivantes : (1) l'appareil ne doit pas produire de brouillage, et (2) l'utilisateur de l'appareil doit accepter tout brouillage radioélectrique subi, même si le brouillage est susceptible d'en compromettre le fonctionnement.

Ce produit est conforme aux limites d'exposition aux radiations IC pour un environnement non contrôlé. L'équipement doit être installé et fonctionné à une distance minimum de 20 cm (7,9 po) entre l'utilisateur et le dispositif. Dans la bande de fréquences de 5 150 à 5 250 MHz, cet appareil doit uniquement être utilisé à l'intérieur afin de réduire le risque de brouillage préjudiciable de systèmes de service mobile par satellite se trouvant dans le même canal.

Europe

Hereby, Axis Communications AB declares that this product is in compliance with the essential requirements and other relevant provisions of Directive 2014/53/EU.

FR

Par la présente Axis Communications AB déclare que l'appareil ce produit est conforme aux exigences essentielles et aux autres dispositions pertinentes de la directive 2014/53/CE.

DE

Hiermit erklärt Axis Communications AB, dass sich dieses Produkt in Übereinstimmung mit den grundlegenden Anforderungen und den anderen relevanten Vorschriften der Richtlinie 2014/53/EG befindet.

IT

Con la presente Axis Communications AB dichiara che questo prodotto è conforme ai requisiti essenziali ed alle altre disposizioni pertinenti stabilite dalla direttiva 2014/53/CE.

ES

Por medio de la presente Axis Communications AB declara que el este producto cumple con los requisitos esenciales y cualesquiera otras disposiciones aplicables o exigibles de la Directiva 2014/53/CE.

FI

Axis Communications AB vakuuttaa täten että tämä tuote tyypinen laite on direktiivin 2014/53/EY oleellisten vaatimusten ja sitä koskevien direktiivin muiden ehtojen mukainen.

NL

Hierbij verklaart Axis Communications AB dat het toestel in overeenstemming is met de essentiële eisen en de andere relevante bepalingen van richtlijn 2014/53/EG.

SV

Härmed intygar Axis Communications AB att denna produkt står i överensstämmelse med de väsentliga egenskapskrav och övriga relevanta bestämmelser som framgår av direktiv 2014/53/EG.

DA

Undertegnede Axis Communications AB erklærer herved, at følgende udstyr overholder de væsentlige krav og øvrige relevante krav i direktiv 2014/53/EF.

PT

Axis Communications AB declara que este produto está conforme com os requisitos essenciais e outras disposições da Directiva 2014/53/CE.

EL

ΜΕ ΤΗΝ ΠΑΡΟΥΣΑ Axis Communications AB ΔΗΛΩΝΕΙ ΟΤΙ αυτό το προϊόν ΣΥΜΜΟΡΦΩΝΕΤΑΙ ΠΡΟΣ ΤΙΣ ΟΥΣΙΩΔΕΙΣ ΑΠΑΙΤΗΣΕΙΣ ΚΑΙ ΤΙΣ ΛΟΙΠΕΣ ΣΧΕΤΙΚΕΣ ΔΙΑΤΑΞΕΙΣ ΤΗΣ ΟΔΗΓΙΑΣ 2014/53/ΕΚ.



This equipment can be used in the following countries:

AT, BE, BG, CH, CY, CZ, DE, DK, EE, EL, ES, FI, FR, HR, HU, IE, IS, IT, LI, LT, LV, LU, MT, NL, NO, PL, PT, RO, SE, SI, SK, TR, UK

Safety

This product complies with IEC/EN/UL 60950-1, Safety of Information Technology Equipment.

If its connecting cables are routed outdoors, the product shall be grounded either through a shielded network cable (STP) or other appropriate method.

The power supply used with this product shall fulfill one of the following requirements:

- Safety Extra Low Voltage (SELV) according to clause 2.2 of IEC/EN/UL 60950-1 and Limited Power Source (LPS) according to clause 2.5 of IEC/EN/UL 60950-1 or CEC/NEC Class 2 source of supply as defined in the Canadian Electrical Code, CSA C22.1 and National Electrical Code, ANSI/NFPA 70
- Class 1 electrical energy source (ES1) and Class 2 power source (PS2) rated output power limited to ≤100 W according to IEC/EN/UL 62368-1

Disposal and recycling

When this product has reached the end of its useful life, dispose of it according to local laws and regulations. For information about your nearest designated collection point, contact your local authority responsible for waste disposal. In accordance with local legislation, penalties may be applicable for incorrect disposal of this waste.

Europe



This symbol means that the product shall not be disposed of together with household or commercial waste. Directive 2012/19/EU on waste electrical and electronic equipment (WEEE) is applicable in the European Union member states. To prevent potential harm to human health and the environment, the product must be disposed of in an approved and environmentally safe recycling process. For information about your nearest designated collection point, contact your local authority responsible for waste disposal. Businesses should contact the product supplier for information about how to dispose of this product correctly.

This product complies with the requirements of Directive 2011/65/EU on the restriction of the use of certain hazardous substances in electrical and electronic equipment (RoHS).

China



This product complies with the requirements of SJ/T 11364-2014, Marking for the restriction of hazardous substances in electrical and electronic products.

电气 安装 部分	X	0	0	0	0	0
	0: 表示该有毒有害物质在该部件所有均质材料中的含量均在GB/T 26572标准规定的限量要求以下。					
	X: 表示该有毒有害物质至少在该部件的某一均质材料中的含量超出GB/T 26572标准规定的限量要求。					

Contact information

Axis Communications AB
Emdalavägen 14
223 69 Lund
Sweden

Tel: +46 46 272 18 00

Fax: +46 46 13 61 30

axis.com

Support

Should you require any technical assistance, please contact your Axis reseller. If your questions cannot be answered immediately, your reseller will forward your queries through the appropriate channels to ensure a rapid response. If you are connected to the Internet, you can:

- download user documentation and software updates
- find answers to resolved problems in the FAQ database, search by product, category, or phrase
- report problems to Axis support staff by logging in to your private support area
- chat with Axis support staff
- visit Axis Support at axis.com/support

Learn more!

Visit Axis learning center axis.com/academy for useful trainings, webinars, tutorials and guides.

有毒有害物质或元素						
部件名称	铅 (Pb)	汞 (Hg)	镉 (Cd)	六价铬 (Cr-(VI))	多溴联苯 (PB-B)	多溴二苯醚 (PB-DE)

Safety information

Hazard levels

▲ DANGER

Indicates a hazardous situation which, if not avoided, will result in death or serious injury.

▲ WARNING

Indicates a hazardous situation which, if not avoided, could result in death or serious injury.

▲ CAUTION

Indicates a hazardous situation which, if not avoided, could result in minor or moderate injury.

NOTICE

Indicates a situation which, if not avoided, could result in damage to property.

Other message levels

Important

Indicates significant information which is essential for the product to function correctly.

Note

Indicates useful information which helps in getting the most out of the product.

AXIS T8415 Wireless Installation Tool

Safety instructions

NOTICE

- The Axis product shall be used in compliance with local laws and regulations.
- Axis recommends using a shielded network cable (STP).
- Store the Axis product in a dry and ventilated environment.
- Avoid exposing the Axis product to shocks or heavy pressure.
- Avoid exposing the Axis product to vibration.
- Use only applicable tools when installing the Axis product. Using excessive force with power tools could cause damage to the product.
- Do not use chemicals, caustic agents, or aerosol cleaners.
- Use a clean cloth dampened with pure water for cleaning.
- Use only accessories that comply with the technical specification of your product. These can be provided by Axis or a third party. Axis recommends using Axis power source equipment compatible with your product.
- Use only spare parts provided by or recommended by Axis.
- Do not attempt to repair the product yourself. Contact Axis support or your Axis reseller for service matters.

Lead-Acid Battery

The Axis product uses a Lead-Acid battery as the power supply.

NOTICE

- Due to the self-discharge characteristics of this type of battery, it is imperative that they be charged within 6 months of storage, otherwise permanent loss of capacity might occur as a result of sulfation.
- Use only the supplied charger.

⚠ CAUTION

Never charge or discharge a battery in a hermetically sealed enclosure. Batteries generate a mixture of gases internally. Given the right set of circumstances, such as extreme overcharging or shorting of the battery, these gases might vent into the enclosure and create the potential for an explosion when ignited by a spark.

⚠ CAUTION

- Never dispose of the battery in a fire as it may cause them to explode or generate a toxic gas.
- Do not attempt to disassemble the battery as it could cause leakage of sulfuric acid that could cause injury.

NOTICE

Dispose of used batteries according to local regulations or the battery manufacturer's instructions.

Installation Guide

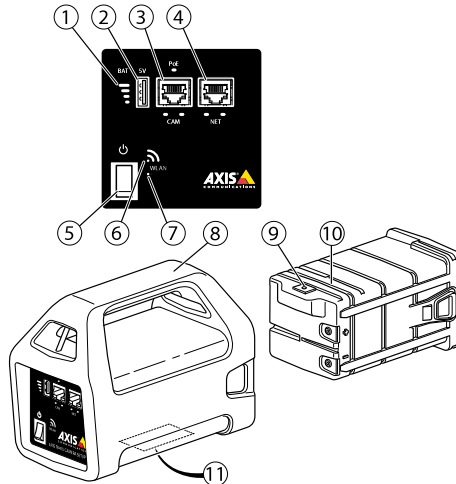
This Installation Guide provides instructions for AXIS T8415 Wireless Installation Tool . This installation tool support both the use of a laptop or an app for installation of cameras. For best performance and experience it is recommended to use the app.

For other aspects of using the product, see the User Manual available at www.axis.com

Package contents

- Main Unit
- Charger
- Battery
- Strap
- Printed materials
 - Installation Guide (this document)

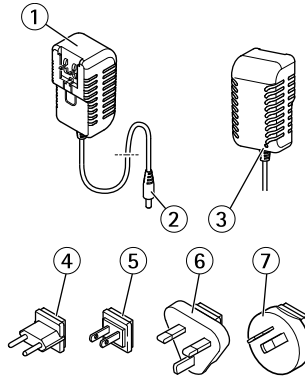
Hardware overview



- 1 Battery indicator
- 2 USB charging port (non-data)
- 3 RJ45 PoE (CAM)
- 4 RJ45 non-PoE (NET)
- 5 On-Off switch

AXIS T8415 Wireless Installation Tool

- 6 WLAN indicator
- 7 Reset button
- 8 Main Unit
- 9 Battery Charger connector
- 10 Battery
- 11 Label (network settings)



- 1 Charger
- 2 Charger male connector
- 3 Charger LED
- 4 Power cord plug (EU)
- 5 Power cord plug (US)
- 6 Power cord plug (UK)
- 7 Power cord plug (AU)

Network connector

RJ45 Ethernet connector.

RJ45 Ethernet connector with Power over Ethernet Plus (PoE+).

NOTICE

Due to local regulations or the environmental and electrical conditions in which the product is to be used, a shielded network cable (STP) may be appropriate or required. All cables connecting the product to the network and that are routed outdoors or in demanding electrical environments shall be intended for their specific use. Make sure that the network devices are installed in accordance with the manufacturer's instructions. For information about regulatory requirements, see *Electromagnetic compatibility (EMC) on page 2*.

USB Connector

AXIS T8415 is equipped with a USB connector (non-data). This connector can be used for charging any compatible handheld device (5V, 2.1A).

Note

- AXIS T8415 must be powered on when charging a handheld device.
- Charging a handheld device affects the units battery. When it reaches a critical low level it will no longer charge the handheld device, See *Hardware overview on page 9 Battery indicator* for status of the battery. In order to continue charging replace the battery with a newly charged one, see *Change the Battery on page 15*.

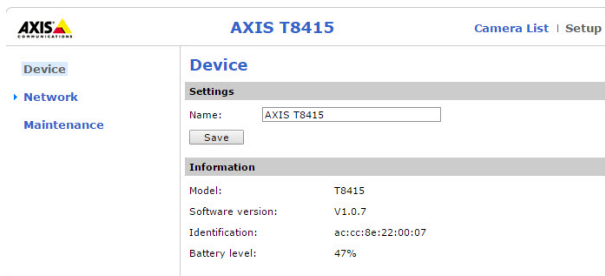
AXIS T8415 Web Interface

In AXIS T8415 web interface it is possible to edit network settings and upgrade the firmware.

Access the web interface by typing in the units IP-address in a browser. The IP-address can be found on the label located on the main unit.

Note

- Actual screenshots may change upon new Firmware releases.
- AXIS T8415 have two IP-addresses. One for connection via WiFi and one for connection via wired network.



- Name: Name for the unit, can be changed.

Network - Wifi Interface

AXIS T8415 Wireless Installation Tool

The screenshot shows the AXIS T8415 web interface. The top navigation bar includes the AXIS logo, the title 'AXIS T8415', and a link for 'Camera List | Setup'. On the left, a sidebar menu has 'Device' at the top, followed by 'Network' (expanded), 'Wifi Interface' (selected), 'Wired Network', and 'Maintenance'. The main content area is titled 'Wifi Interface' and contains an 'Interface Configuration' section with the following fields: Address (10.252.252.1), Subnet mask (255.255.255.0), Gateway (10.252.252.1), SSID (AXIS_220007), WPA password (password), Mode (radio buttons for 2.4GHz and 5GHz, with 5GHz selected), and Channel (radio buttons for 36, 40, and 44, with 40 selected). A 'Save' button is located at the bottom of the configuration area.

- Address: The IP-address for the unit.
- Subnet mask: The subnet-mask for the unit.
- Gateway: Default gateway for the unit.
- SSID: Name of the wireless network, can be changed.
- WPA password: Password for the wireless network, can be changed.
- Mode: Set frequency mode for wireless network. Select either 2.4GHz or 5GHz.
- Channel: Set channel for wireless network.

Note

- Default SSID and password can be found on the label, located on the main unit. If changed in the web interface the label is no longer valid.
- AXIS T8415 supports both 2.4GHz and 5GHz.
- Channels might vary depending on country.

Network - Wired Network

The screenshot shows the 'Wired Network' configuration page for an AXIS T8415 camera. The page is divided into a left sidebar with navigation options (Device, Network, Maintenance) and a main content area. The main content area is titled 'Wired Network' and contains several sections: 'External DHCP Server' (Server detected: No), 'Onboard DHCP Server' (Server On/Off radio buttons), 'Ethernet Ports' (Port 1: Connected, Port 2 (POE): Connected, powered), and 'Interface Configuration' (radio buttons for 'Obtain an IP address via DHCP' and 'Assign a static IP address'). Under 'Assign a static IP address', there are input fields for 'Address' (10.253.253.253), 'Subnet mask' (255.255.255.0), and 'Gateway' (10.253.253.253), each with a 'Save' button below it.

- External DHCP Server: Detection of an external DHCP server.
- Onboard DHCP Server:
 - On: Internal DHCP server on
 - Off: Internal DHCP server off
- Ethernet Ports: Status of the ethernet ports:
 - Connected: Camera/laptop connected to ethernet port
 - Unconnected: No camera/laptop connected to ethernet port
- Interface Configuration: Set IP-address manually or get IP-address from a DHCP server.
- Address: The IP-address for the unit.
- Subnet mask: The subnet-mask for the unit.
- Gateway: Default gateway for the unit.

Maintenance

The screenshot shows the 'Maintenance' configuration page for an AXIS T8415 camera. The page is divided into a left sidebar with navigation options (Device, Network, Maintenance) and a main content area. The main content area is titled 'Maintenance' and contains a section for 'Firmware Upgrade'. The text reads: 'Upgrade the device with the latest firmware. Specify the firmware to upgrade to: [Choose Files] No file chosen (To select multiple files, hold down the CTRL key while clicking on each file.) and click [Upgrade]'. Below this, a note states: 'Note: Do not disconnect power to the device or refresh this page during the upgrade. The device restarts automatically after the upgrade has completed. (1-7 minutes.)'

Upgrade the firmware for AXIS T8415.

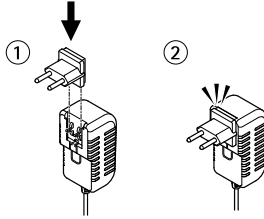
AXIS T8415 Wireless Installation Tool

Note

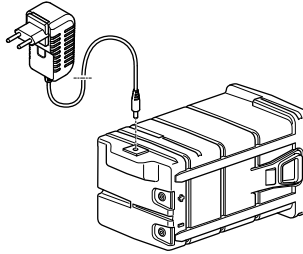
The latest firmware can be found at www.axis.com

Charge the Battery

Attach the country specific power cord plug to the charger. See below image.



Connect the battery charger to the battery (see below image) and to the power outlet.



LED	Behavior
Red	Battery charging
Green	Battery fully charged

Note

The charger LED is located on the front side of the charger, see *Hardware overview on page 9*

NOTICE

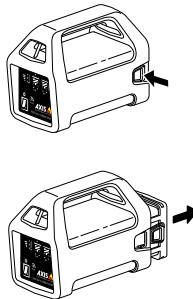
- Due to the self-discharge characteristics of this type of battery, it is imperative that they be charged within 6 months of storage, otherwise permanent loss of capacity might occur as a result of sulfation.
- Use only the supplied charger.

CAUTION

Never charge or discharge a battery in a hermetically sealed enclosure. Batteries generate a mixture of gases internally. Given the right set of circumstances, such as extreme overcharging or shorting of the battery, these gases might vent into the enclosure and create the potential for an explosion when ignited by a spark.

Change the Battery

See below image for how to change the battery.



CAUTION

- Never dispose of the battery in a fire as it may cause them to explode or generate a toxic gas.
- Do not attempt to disassemble the battery as it could cause leakage of sulfuric acid that could cause injury.
- If the battery is disassembled the warranty is void.

AXIS T8415 Wireless Installation Tool

NOTICE

Dispose of used batteries according to local regulations or the battery manufacturer's instructions.

Installation Preparations

With AXIS T8415 Wireless Installation Tool it is possible to perform camera installations with a handheld device or a laptop. It is recommended to use a handheld device and the app AXIS Wireless Installation Tool for best performance.

- Make sure that the battery is fully charged before use. See *Charge the Battery on page 14*
- If using the app AXIS Wireless Installation Tool Make sure it is downloaded to the handheld device before connecting to AXIS T8415 WiFi network.
- Make sure power is on before connecting the camera to the main unit.

Note

The app AXIS Wireless Installation Tool can be downloaded from App Store or Google Play.

Connect to AXIS T8415 WiFi

Handheld device

1. Turn on WiFi on the handheld device.
2. Select The SSID of the unit.
3. Enter password

Laptop

1. Turn on WiFi on the computer.
2. Select The SSID of the unit.
3. Enter password

Important

Make sure the computer is configured so that it will obtain an IP-address from a DHCP server.

Note

Default SSID and password are printed on the label located on the main unit.

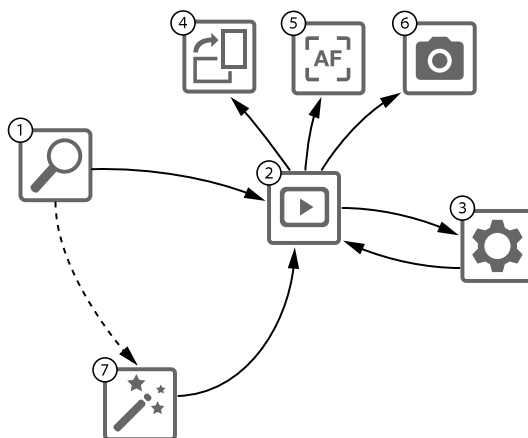
Camera Installation – AXIS Wireless Installation Tool app

1. Connect the camera to the CAM port (PoE) on the main unit.
2. Verify that the PoE indicator is lit.
3. Connect to AXIS T8415 WiFi, see *Connect to AXIS T8415 WiFi on page 16*

4. Start the app AXIS Wireless Installation Tool

Note

The start-up time for cameras varies for different products. It may take a few minutes before the camera is visible in the camera list in the app.



- 1 Camera List
- 2 Live view
- 3 Settings
- 4 Rotate image
- 5 Autofocus
- 6 Snapshot
- 7 Wizard

To configure a camera

Select camera in **1 Camera List**. If required type in password in order to continue.

In **2 Live view** it is possible to access the action buttons (**4**, **5** and **6**) by press and hold on the screen.

Select **4 Rotate image** to rotate the image.

Select **5 Autofocus** to perform a search for the ideal focus point.

Note

- Autofocus will only be available if the camera supports this functionality.
- Autofocus may take a few minutes to perform, during this time it is important that the camera is still.

AXIS T8415 Wireless Installation Tool

Select **6 Snapshot** to take a snapshot of the video image.

Select **3 Settings** to edit network settings for the product.

Number **7 Wizard**. This wizard starts the first time an Axis product is accessed or after a reset to factory default.

Note

Information about settings in the **Wizard** can be found in the products User Manual available at www.axis.com

Note

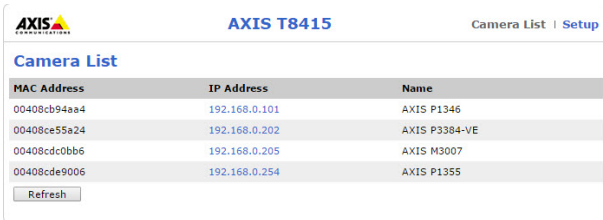
For more information about camera settings for respective Axis product, see the products User Manual available at www.axis.com

Camera Installation – Laptop

1. Connect the camera to the CAM port (PoE) on the main unit.
2. Verify that the PoE indicator is lit.
3. Connect the laptop to NET port (non-PoE) on the main unit.
4. Go to the web interface and press **Camera List**

Note

See *AXIS T8415 Web Interface on page 11* for how to access AXIS T8415 Web interface



MAC Address	IP Address	Name
00408cb94aa4	192.168.0.101	AXIS P1346
00408ce55a24	192.168.0.202	AXIS P3384-VE
00408cdc0bb6	192.168.0.205	AXIS M3007
00408cde9006	192.168.0.254	AXIS P1355

5. Select camera by clicking on the IP-address.
6. The selected camera will now open in a browser.

Note

- For more information about camera settings for respective Axis product, see the products User Manual available at www.axis.com
- The start-up time for cameras varies for different products. It may take a few minutes before the camera is visible in the camera list in the web interface.

Troubleshooting

- **Cannot find SSID.**
 - Check that the WLAN indicator is lit.
 - Select a different channel.
 - Make sure the handheld device supports 5GHz mode, if not switch to 2.4GHz mode on AXIS T8415.
- **No camera in the app camera list**
 - Check that the WLAN indicator is lit.
 - The start-up time for cameras varies for different products. It may take a few minutes before the camera is visible. Press Refresh to update the Camera list page.
 - Make sure Bonjour is activated on the Axis product.
 - Make sure the camera do not have an IP-address in the range 10.252.252.X
- **Cannot login to AXIS T8415 web interface when using network cable and a PC.**
 - Make sure the network cable is connected to the correct port (NET).
- **No camera in Camera List (web interface), when using laptop for installation.**
 - Make sure the network cables are connected to correct ports:
CAM: Connect to camera
NET: Connect to laptop
 - Make sure the camera and AXIS T8415 are on the same IP-address range.
 - Make sure that AXIS T8415 is used as default gateway.
 - Make sure the camera do not have an IP-address in the range 10.252.252.X
- **Low fps in the image when using the app.**
 - Check the WLAN indicator on the handheld device for signal strength.
 - Make sure the wireless network is set to 5GHz
 - Select a different channel.

Below list is applicable when trying to discover a non-Axis camera with Onvif support.

- **The camera is set to dynamic IP-address but there is no DHCP server on the network.**
 - Activate the onboard DHCP server on AXIS T8415.
- **The camera is set to dynamic IP-address and there is a DHCP server on the network.**
 - Configure AXIS T8415 for dynamic IP address.
- **The camera have a fixed IP-address.**
 - Configure AXIS T8415 to have an IP-address on the same range as the camera.

Reset to Factory Default

Important

- Reset to factory default should be used with caution. A reset to factory default will reset all settings to the factory default values.
- Make sure the WLAN indicator is continuously lit before performing a factory reset.

To reset the product to the factory default settings:

1. Press and hold the Reset button for 10 seconds.
2. AXIS T8415 now re-starts with all values reset to factory default.

Note

See *Hardware overview on page 9* for location of the Reset button.

Warranty information

For information about Axis' product warranty and thereto related information, go to axis.com/warranty

