

ENGLISH

FRANÇAIS

DEUTSCH

ITALIANO

ESPAÑOL

日本語

AXIS T8082 PS57 CHASSIS 2KW 1U

Installation Guide

Legal Considerations

Video and audio surveillance can be regulated by laws that vary from country to country. Check the laws in your local region before using this product for surveillance purposes.

Liability

Every care has been taken in the preparation of this document. Please inform your local Axis office of any inaccuracies or omissions. Axis Communications AB cannot be held responsible for any technical or typographical errors and reserves the right to make changes to the product and manuals without prior notice. Axis Communications AB makes no warranty of any kind with regard to the material contained within this document, including, but not limited to, the implied warranties of merchantability and fitness for a particular purpose. Axis Communications AB shall not be liable nor responsible for incidental or consequential damages in connection with the furnishing, performance or use of this material. This product is only to be used for its intended purpose.

Intellectual Property Rights

Axis AB has intellectual property rights relating to technology embodied in the product described in this document. In particular, and without limitation, these intellectual property rights may include one or more of the patents listed at www.axis.com/patent.htm and one or more additional patents or pending patent applications in the US and other countries.

Equipment Modifications


This equipment must be installed and used in strict accordance with the instructions given in the user documentation. This equipment contains no user-serviceable components. Unauthorized equipment changes or modifications will invalidate all applicable regulatory certifications and approvals.

Trademark Acknowledgments

AXIS COMMUNICATIONS, AXIS, ETRAX, ARTPEC and VAPIX are registered trademarks or trademark applications of Axis AB in various jurisdictions. All other company names and products are trademarks or registered trademarks of their respective companies.

Regulatory Information

Europe

 This product complies with the applicable CE marking directives and harmonized standards:

- Electromagnetic Compatibility (EMC) Directive 2004/108/EC. See *Electromagnetic Compatibility (EMC) on page 2*.
- Low Voltage (LVD) Directive 2006/95/EC. See *Safety on page 2*.
- Restrictions of Hazardous Substances (RoHS) Directive 2011/65/EU. See *Disposal and Recycling on page 2*.

A copy of the original declaration of conformity may be obtained from Axis Communications AB. See *Contact Information on page 3*.

Electromagnetic Compatibility (EMC)

This equipment has been designed and tested to fulfill applicable standards for:

- Radio frequency emission when installed according to the instructions and used in its intended environment.
- Immunity to electrical and electromagnetic phenomena when installed according to the instructions and used in its intended environment.

USA

This equipment has been tested and found to comply with the limits for a Class A digital device, pursuant to part 15 of the FCC Rules. These limits are designed to provide reasonable protection against harmful interference when the equipment is operated in a commercial environment. This equipment generates, uses, and can radiate radio frequency energy and, if not installed and used in accordance with the instruction manual, may cause harmful interference to radio communications. Operation of this equipment in a residential area is likely to cause harmful interference in which case the user will be required to correct the interference at his own expense. The product shall be properly grounded.

Canada

This digital apparatus complies with CAN ICES-3 (Class A). The product shall be properly grounded. Cet appareil numérique est conforme à la norme NMB ICES-3 (classe A). Le produit doit être correctement mis à la terre.

Europe

This digital equipment fulfills the requirements for RF emission according to the Class A limit of EN 55022. The product shall be properly grounded. Notice! This is a Class A product. In a domestic environment this product may cause RF interference, in which case the user may be required to take adequate measures.

This product fulfills the requirements for immunity according to EN 55024 office and commercial environments

Australia/New Zealand

This digital equipment fulfills the requirements for RF emission according to the Class A limit of AS/NZS CISPR 22. The product shall be properly grounded. Notice! This is a Class A product. In a domestic environment this product may cause RF interference, in which case the user may be required to take adequate measures.

Japan

この装置は、クラスA情報技術装置です。この装置を家庭環境で使用すると電波妨害を引き起こすことがあります。この場合には使用者が適切な対策を講ずるよう要求されることがあります。本製品は、適切に接地してください。

Korea

이 기기는 업무용(A급) 전자파적합기기로서 판매자 또는 사용자는 이 점을 주의하시기 바라며, 가정외의 지역에서 사용하는 것을 목적으로 합니다. 제품은 적합하게 접지 되어야 합니다.

Safety

This product complies with IEC/EN/UL 60950-1, Safety of Information Technology Equipment. If its connecting cables are routed outdoors, the product shall be grounded either through a shielded network cable (STP) or other appropriate method.

Disposal and Recycling

When this product has reached the end of its useful life, dispose of it according to local laws and regulations. For information about your nearest designated collection point, contact your local authority responsible for waste disposal. In accordance with local legislation, penalties may be applicable for incorrect disposal of this waste.

Europe



■ This symbol means that the product shall not be disposed of together with household or commercial waste. Directive 2012/19/EU on waste electrical and electronic equipment (WEEE) is applicable in the European Union

member states. To prevent potential harm to human health and the environment, the product must be disposed of in an approved and environmentally safe recycling process. For information about your nearest designated collection point, contact your local authority responsible for waste disposal. Businesses should contact the product supplier for information about how to dispose of this product correctly.

This product complies with the requirements of Directive 2011/65/EU on the restriction of the use of certain hazardous substances in electrical and electronic equipment (RoHS).

China



This product complies with the requirements of the legislative act Administration on the Control of Pollution Caused by Electronic Information Products (ACPEIP).

Contact Information

Axis Communications AB
Emdalavägen 14
223 69 Lund
Sweden

Tel: +46 46 272 18 00

Fax: +46 46 13 61 30

www.axis.com

Support

Should you require any technical assistance, please contact your Axis reseller. If your questions cannot be answered immediately, your reseller will forward your queries through the appropriate channels to ensure a rapid response. If you are connected to the Internet, you can:

- download user documentation and software updates
- find answers to resolved problems in the FAQ database. Search by product, category, or phrase
- report problems to Axis support staff by logging in to your private support area
- chat with Axis support staff
- visit Axis Support at www.axis.com/techsup/

Learn More!

Visit Axis learning center www.axis.com/academy/ for useful trainings, webinars, tutorials and guides.

Safety Information

Read through this Installation Guide carefully before installing the product. Keep the Installation Guide for future reference.

Hazard Levels

▲DANGER

Indicates a hazardous situation which, if not avoided, will result in death or serious injury.

▲WARNING

Indicates a hazardous situation which, if not avoided, could result in death or serious injury.

▲CAUTION

Indicates a hazardous situation which, if not avoided, could result in minor or moderate injury.

NOTICE

Indicates a situation which, if not avoided, could result in damage to property.

Other Message Levels

Important

Indicates significant information which is essential for the product to function correctly.

Note

Indicates useful information which helps in getting the most out of the product.

Safety Instructions

▲WARNING

- The Axis product shall be installed by a trained professional.

NOTICE

- The Axis product shall be used in compliance with local laws and regulations.
- To use the Axis product outdoors, or in similar environments, it shall be installed in an approved outdoor housing.
- Store the Axis product in a dry and ventilated environment.
- Avoid exposing the Axis product to shocks or heavy pressure.
- Avoid exposing the Axis product to vibration.
- Do not install the product on unstable brackets, surfaces or walls.
- Use only applicable tools when installing the Axis product. Using excessive force with power tools could cause damage to the product.
- Use only accessories that comply with the technical specification of the product. These can be provided by Axis or a third party.
- Use only spare parts provided by or recommended by Axis.
- Do not attempt to repair the product yourself. Contact Axis support or your Axis reseller for service matters.

Transportation

NOTICE

- When transporting the Axis product, use the original packaging or equivalent to prevent damage to the product.

Rack Mount

NOTICE

- If the Axis product is installed in a closed rack or in a rack with other units, the temperature in the rack may be considerably higher than the ambient room temperature.
- Make sure that there is sufficient air flow around the Axis product when it is mounted in a rack.
- When mounting the Axis product in a rack, never stack other units directly on top. The mounting brackets are not designed to support more than one unit. Each unit in the rack must be secured with appropriate brackets. Place the heaviest units at the bottom of the rack.
- Protection against overcurrents, short circuits and earth faults should be provided in the building installation.
- The Axis product shall be properly grounded when installed in a rack. Make sure that all power strips and power supplies are grounded.

Installation Guide

This Installation Guide provides instructions for installing AXIS T8082 PS57 CHASSIS 2KW 1U.

Installation Steps

1. Make sure the package contents, tools and other materials necessary for the installation are in order. See *page 9*.
2. Study the hardware overview. See *page 10*.
3. Study the specifications. See *page 11*.
4. Install the hardware. See *page 12*.

Package Contents

- AXIS T8080 PS57 Chassis 1U
- AXIS T8081 PS57 Module 1000 W (2 pcs)
- AXIS T8088 PS57 Distribution Board
- Distribution board power cable
- AC power cables (2 pcs)
- DC power patch cables (14 pcs)
- Installation Guide (this document)

Optional Accessories

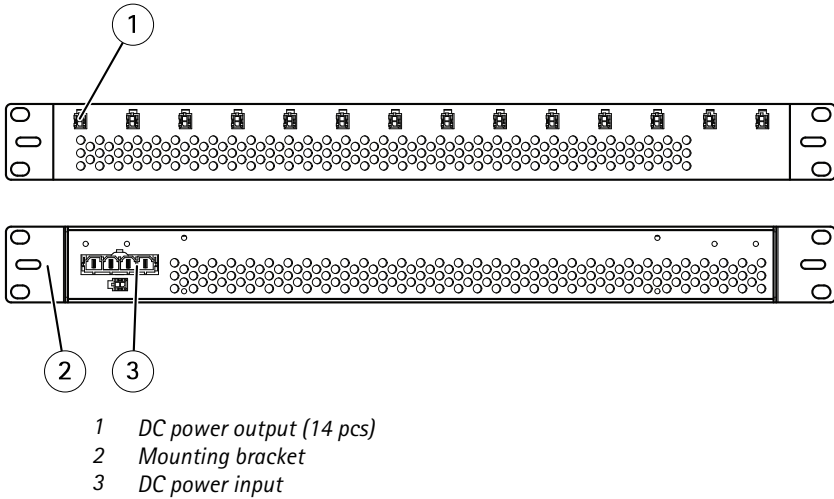
- AXIS T8081 PS57 Module 1000W

For information about available accessories, see www.axis.com

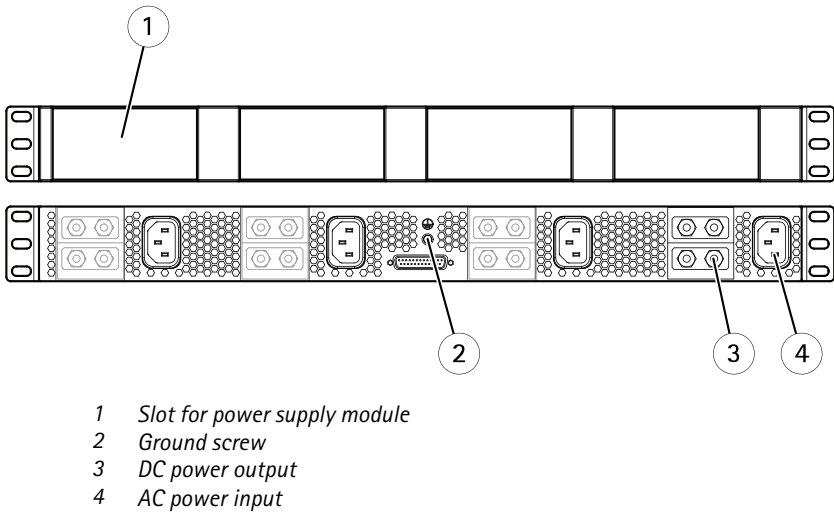
AXIS T8082 PS57 CHASSIS 2KW 1U

Hardware Overview

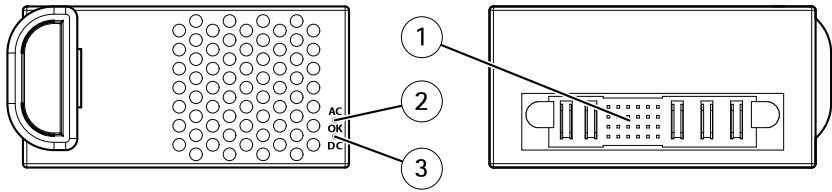
AXIS T8088 PS57 Distribution Board



AXIS T8080 PS57 Chassis 1U



AXIS T8081 PS57 Module 1000W



- 1 Backplane connector
- 2 AC LED
- 3 DC LED

LED Indicators

LED	Color	Indication
AC	Unlit	No power connected
	Green	Shows steady green for 10 seconds for normal operation after restart.
DC	Unlit	Connection and normal operation
	Green	Shows steady green for 10 seconds for normal operation after restart.

Specifications

Operating Conditions

The Axis product is intended for indoor use.

Product	Temperature	Humidity
AXIS T8082	0 °C to 55 °C (32 °F to 131 °F)	10-85% RH (non-condensing)

Electrical Specification

Note

The AXIS T8082 chassis is delivered with two AXIS T8081 modules installed. A further two modules can be installed in the chassis. The specification below is for one module.

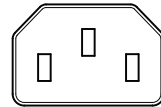
AXIS T8082 PS57 CHASSIS 2KW 1U

	AXIS T8081
Input voltage	100–240 V AC
Input frequency	50/60 Hz
Output voltage	57 V DC
Power factor	> 0.95
Efficiency	Up to 90%
Input current	Max. 12 A
Overload protection	120% Overload

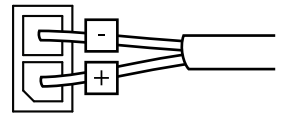
Connectors

Power Connector

AC connector for power input.



2-pin terminal block for DC power output.



Install the Hardware

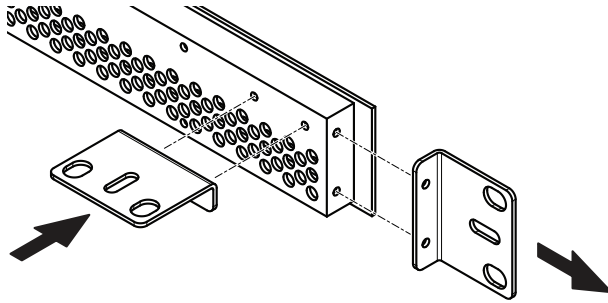
Note

- The AXIS T8082 is designed for use with AXIS T8646 PoE+ Over Coax Blade only.
- The AXIS T8088 PS57 Distribution Board is designed for use with AXIS T8080 PS57 Chassis 1U only.
- The power patch cables are very short. If the chassis with the blades is installed on a slide rail, the power distribution board must be attached to the bottom of that chassis.
- All components shall be installed and connected before the system is powered up.

Install the Power Distribution Board

1. To attach the power distribution board to the bottom of the chassis:

- Remove the screws and the brackets from the side of the power distribution board.
- Attach the brackets with the screws to the back of the power distribution board.



2. Attach the power distribution board to the rack or to the bottom of the chassis.

Note

Do not connect the distribution board power cable until the power supply has been installed.

3. Connect the DC power patch cables between the power distribution board and the blades.

Install the Power Supply

⚠ DANGER

Risk of electric shock. Remove all power before installing the power supply.

Note

Do not connect all power supply modules to the same supply circuit:

- Each power supply module draws up to 1000 W of power from the mains. Connecting multiple modules to the same circuit may overload the circuit.
- The power supply has built in redundancy that allows for failure in one or more power supply modules. If the modules are supplied from separate circuits that redundancy will also cover failures in the circuits.
- It is possible to connect multiple power distribution boards to the power supply. To do so use separate terminals on the back of the power supply for each power distribution panel. The terminals are connected in parallel.

1. Remove the cover over one of the DC power output terminals on the back of the power supply.

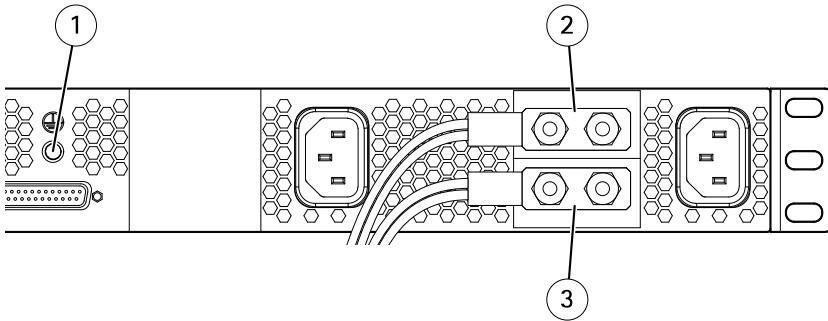
AXIS T8082 PS57 CHASSIS 2KW 1U

2. Connect the terminals on the distribution board power cable to the connectors on the power supply.

NOTICE

Tighten the nuts tightly. If the terminals come loose there is a risk that they will short circuit the connectors.

3. Put back the cover over the terminal.
4. Ground the power supply by attaching a grounding wire to the ground screw at the back of the power supply.



- 1 *Ground screw*
- 2 *Positive terminal (red)*
- 3 *Negative terminal (black)*

▲DANGER

Risk of electric shock. The terminals on the back of the power supply are live when the AC power cables are connected.

5. Connect the AC power cables to the back of the power supply, directly behind the two power supply modules. If more power supply modules are added they shall all have separate AC power cables.
6. Fasten the power supply to the mounting rack with appropriate screws.
7. Connect the distribution board power cable to AXIS T8088 Power Distribution Board.

Install the Power Supply Module

▲DANGER

AXIS T8081 PS57 Module 1000W is intended to be used only with AXIS T8080 PS57 Chassis 1U.

Read all the instructions before installing the product. The power supply module can be replaced while the chassis is powered up.

⚠ DANGER

Risk of electric shock.

- The slots shall only be used for AXIS T8081 power supply modules. Do not insert anything else into the slot in the chassis.
 - Empty slots shall be covered using the supplied covers.
1. To remove an old power supply module, push the handle to the right and pull out the module. Dispose of it according to local laws and regulations.
 2. Slide the AXIS T8081 PS57 Module 1000W into the slot and make sure that the module snaps into place.
 3. Verify that the LED:s on the power module indicate normal operation.

Further Information

For the latest version of this document, see www.axis.com

Visit Axis learning center www.axis.com/academy for useful trainings, webinars, tutorials and guides.

Warranty Information

For information about Axis' product warranty and thereto related information, see www.axis.com/warranty/

Informations sur la sécurité

Lisez attentivement ce guide d'installation avant d'installer l'appareil. Conservez le guide d'installation pour toute référence ultérieure.

Niveaux de risques

▲DANGER

Indique une situation dangereuse qui, si elle n'est pas évitée, entraînera le décès ou des blessures graves.

▲AVERTISSEMENT

Indique une situation dangereuse qui, si elle n'est pas évitée, pourrait entraîner le décès ou des blessures graves.

▲ATTENTION

Indique une situation dangereuse qui, si elle n'est pas évitée, pourrait entraîner des blessures légères ou modérées.

AVIS

Indique une situation qui, si elle n'est pas évitée, pourrait endommager l'appareil.

Autres niveaux de message

Important

Indique les informations importantes, nécessaires pour assurer le bon fonctionnement de l'appareil.

Note

Indique les informations utiles qui permettront d'obtenir le fonctionnement optimal de l'appareil.

Consignes de sécurité

▲AVERTISSEMENT

- Le produit Axis doit être installé par un professionnel habilité.

AVIS

- Le produit Axis doit être utilisé conformément aux lois et réglementations locales en vigueur.
- Pour pouvoir utiliser le produit Axis à l'extérieur, ou dans des environnements similaires, il doit être installé dans un boîtier d'extérieur homologué.
- Conserver ce produit Axis dans un environnement sec et ventilé.
- Ne pas exposer ce produit Axis aux chocs ou aux fortes pressions.
- Ne pas exposer ce produit Axis aux vibrations.
- Ne pas installer ce produit sur des supports, surfaces ou murs instables.
- Utiliser uniquement des outils recommandés pour l'installation de l'appareil Axis. L'application d'une force excessive sur l'appareil avec des outils puissants pourrait l'endommager.
- Utiliser uniquement des accessoires conformes aux caractéristiques techniques du produit. Ils peuvent être fournis par Axis ou un tiers.
- Utiliser uniquement les pièces de rechange fournies ou recommandées par Axis.
- Ne pas essayer de réparer vous-même ce produit. Contacter l'assistance technique d'Axis ou votre revendeur Axis pour des problèmes liés à l'entretien.

Transport

AVIS

- Lors du transport du produit Axis, utilisez l'emballage d'origine ou un équivalent pour éviter d'endommager le produit.

Montage en rack

AVIS

- Si le produit Axis est installé dans un rack fermé ou dans un rack contenant d'autres appareils, la température du rack peut être bien supérieure à la température ambiante de la pièce.
- Veillez à assurer une circulation suffisante de l'air autour du produit Axis s'il est monté en rack.
- Lorsque vous montez le produit Axis dans un rack, ne l'empilez pas directement sur un autre appareil. Les supports de fixation ne sont pas prévus pour supporter plusieurs appareils. Chaque appareil du rack doit être fixé avec des supports adéquats. Placez les appareils les plus lourds en bas du rack.
- Les installations du bâtiment doivent offrir une protection contre les surintensités, les courts-circuits et les défauts de terre.
- Le produit Axis doit être correctement relié à la terre lorsqu'il est installé dans un rack. Assurez-vous que l'ensemble des multiprises et blocs d'alimentation sont reliés à la terre.

Guide d'installation

Ce guide d'installation vous explique comment installer le CHÂSSIS 2 KW 1U AXIS T8082 PS57.

Procédures d'installation

1. Assurez-vous que les outils et autres matériels nécessaires à l'installation sont inclus dans l'emballage. Cf. *page 21*.
2. Consultez la description du matériel. Cf. *page 22*.
3. Étudiez les caractéristiques. Cf. *page 23*.
4. Installez le matériel. Cf. *page 25*.

Contenu de l'emballage

- Châssis 1U AXIS T8080 PS57
- Module AXIS T8081 PS57 (2 pièces)
- Tableau de distribution AXIS T8088 PS57
- Câble d'alimentation du tableau de distribution
- Câbles d'alimentation CA (2 pièces)
- Câbles patch d'alimentation CC (14 pièces)
- Guide d'installation (ce document)

Accessoires en option

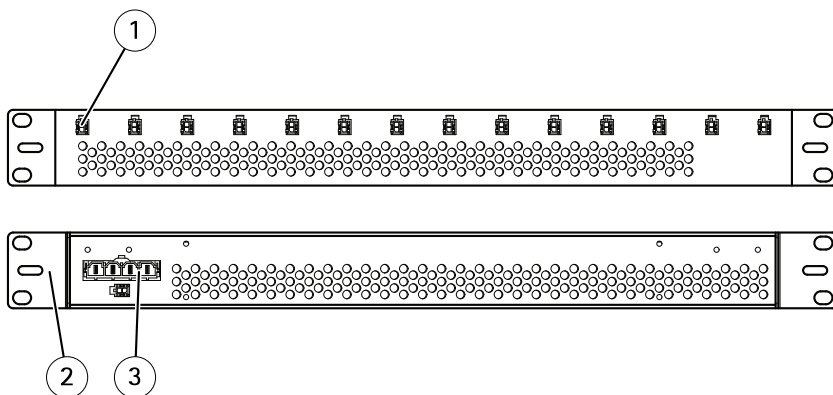
- Module 1 000 W AXIS T8081 PS57

Pour plus d'informations sur les accessoires disponibles, consultez le site www.axis.com

AXIS T8082 PS57 CHASSIS 2KW 1U

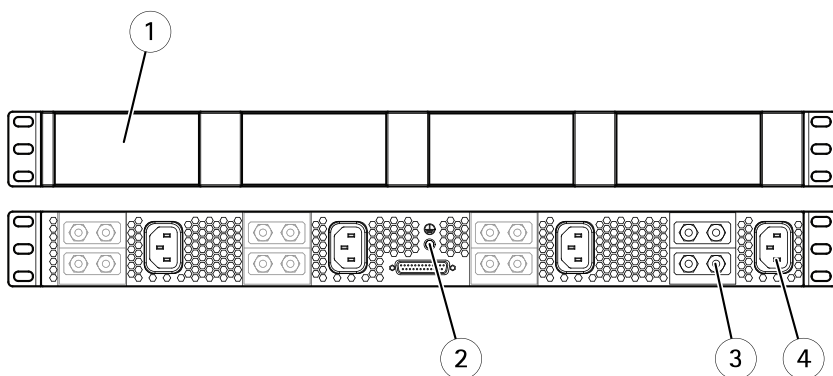
Aperçu du matériel

Tableau de distribution AXIS T8088 PS57



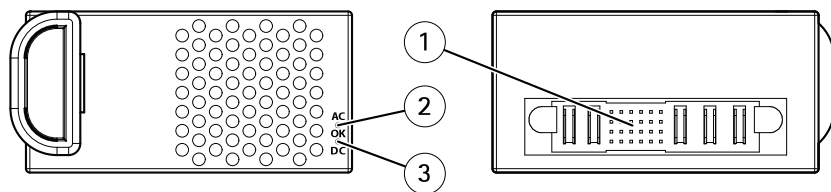
- 1 *Sortie d'alimentation CC (14 pièces)*
- 2 *Support de montage*
- 3 *Entrée d'alimentation CC*

Châssis 1U AXIS T8080 PS57



- 1 *Emplacement pour module d'alimentation*
- 2 *Vis de mise à la terre*
- 3 *Sortie d'alimentation CC*
- 4 *Entrée d'alimentation CA*

Module 1 000 W AXIS T8081 PS57



- 1 Connecteur du fond de panier
- 2 Voyant CA
- 3 Voyant CC

Voyants

Voyant	Couleur	Indication
CA	Éteint	Aucune alimentation connectée
	Vert	Vert fixe pendant 10 secondes pour indiquer un fonctionnement normal après le redémarrage.
CC	Éteint	Branchement et fonctionnement normal
	Vert	Vert fixe pendant 10 secondes pour indiquer un fonctionnement normal après le redémarrage.

Caractéristiques techniques

Conditions d'utilisation

L'appareil Axis est uniquement destiné à une utilisation en intérieur.

Produit	Température	Humidité
AXIS T8082	0 °C à 55 °C (32 °F à 131 °F)	Humidité relative de 10 à 85 % (sans condensation)

Caractéristiques électriques

Note

Le châssis AXIS T8082 est livré avec deux modules AXIS T8081 installés. Deux autres modules peuvent y être installés. Les caractéristiques ci-dessous concernent un module.

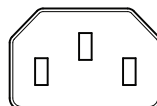
AXIS T8082 PS57 CHASSIS 2KW 1U

	AXIS T8081
Tension d'entrée	100-240 V CA
Fréquence d'entrée	50-60 Hz
Tension de sortie	57 V CC
Facteur d'alimentation	> 0,95
Efficacité	Jusqu'à 90 %
Courant d'entrée	Max. 12 A
Protection contre les surcharges	Surcharge 120 %

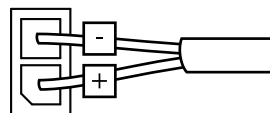
Connecteurs

Connecteur d'alimentation

Connecteur CA pour l'alimentation.



Bloc terminal à 2 broches pour l'alimentation CC.



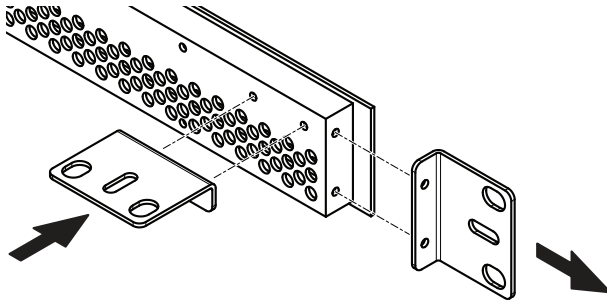
Installation du matériel

Note

- Le modèle AXIS T8082 est conçu pour être utilisé avec la lame d'alimentation par Ethernet (PoE+) par câble coaxial AXIS T8646 uniquement.
- Le tableau de distribution AXIS T8088 PS57 est conçu pour être utilisé avec le châssis 1U uniquement.
- Les câbles patch d'alimentation sont très courts. Si le châssis comportant les lames se trouve sur une glissière, le tableau de distribution électrique doit être fixé en bas de ce châssis.
- Tous les composants doivent être installés et raccordés avant la mise sous tension du système.

Installation du tableau de distribution

1. Pour fixer le tableau de distribution d'alimentation en bas du châssis :
 - Retirez les vis et les supports du côté du tableau de distribution d'alimentation.
 - Fixez les supports avec les vis à l'arrière du tableau de distribution d'alimentation.



2. Fixez le tableau de distribution d'alimentation au rack ou en bas du châssis.

Note

Ne raccordez pas le câble d'alimentation du tableau de distribution avant l'installation du bloc d'alimentation.

3. Branchez les câbles patch d'alimentation CC entre le tableau de distribution électrique et les lames.

Installez le bloc d'alimentation

⚠ DANGER

Risque de choc électrique. Coupez l'alimentation avant d'installer le bloc d'alimentation.

Note

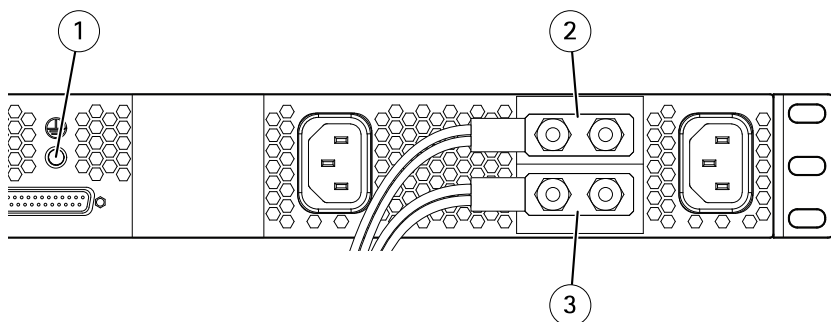
Ne branchez pas tous les modules d'alimentation sur le même circuit d'alimentation :

- Chaque module nécessite une alimentation secteur allant jusqu'à 1000 W. Le branchement de plusieurs modules sur le même circuit pourrait provoquer une surcharge.
 - Le bloc d'alimentation dispose d'une fonction de redondance qui permet de pallier la défaillance d'un ou de plusieurs modules d'alimentation. Si les modules sont alimentés par des circuits séparés, cette fonction pare également aux défaillances des circuits.
 - Il est possible de brancher plusieurs tableaux de distribution d'alimentation au bloc d'alimentation. Pour ce faire, utilisez des bornes séparés situées à l'arrière du bloc d'alimentation. Les bornes sont raccordées en parallèle.
1. Retirez le cache de l'une des bornes de sorties d'alimentation CC situées à droite à l'arrière du bloc d'alimentation.
 2. Raccordez les bornes câbles d'alimentation du tableau de distribution aux connecteurs du bloc d'alimentation.

AVIS

Serrez fortement les boulons. Si les bornes se détachent, elles risquent de court-circuiter les connecteurs.

3. Remplacez le cache sur la borne.
4. Raccordez le bloc d'alimentation à la terre en raccordant un fil de terre à la vis de mise à la terre à l'arrière du bloc d'alimentation.



1 Vis de mise à la terre

- 2 *Borne positive (rouge)*
- 3 *Borne négative (noire)*

▲DANGER

Risque de choc électrique. Les bornes situées à l'arrière du bloc d'alimentation sont alimentées lorsque les câbles d'alimentation CA sont raccordés.

5. Branchez les câbles d'alimentation CA à l'arrière du bloc d'alimentation, directement derrière les deux modules d'alimentation. Si plusieurs modules d'alimentation sont ajoutés, ils doivent disposer de câbles d'alimentation CA séparés.
6. Fixez le bloc d'alimentation au rack de montage en utilisant des vis appropriées.
7. Raccordez le câble d'alimentation du tableau de distribution au tableau de distribution AXIS T8088.

Installez le module d'alimentation

▲DANGER

Le module 1000W AXIS T8081 PS57 est conçu pour être utilisé uniquement avec le châssis 1U AXIS T8080 PS57.

Lisez toutes les instructions avant l'installation de l'appareil. Le module d'alimentation peut être remplacé à chaud.

▲DANGER

Risque de choc électrique.

- Les fentes doivent être utilisées uniquement pour les modules d'alimentation AXIS T8081. N'insérez aucun autre élément dans la fente du châssis.
 - Les fentes vites doivent être couvertes à l'aide des caches fournis.
1. Afin de retirer un module d'alimentation usagé, poussez la poignée vers la droite et tirez sur le module pour l'extraire. Mettez-le au rebut conformément aux lois et réglementations locales.
 2. Glissez le module 1 000 W AXIS T8081 PS57 dans la fente et assurez-vous qu'il s'enclenche parfaitement.
 3. Vérifiez que les voyants du module d'alimentation indiquent un fonctionnement normal.

Pour obtenir plus de renseignements

Pour la dernière version de ce document, consultez le site www.axis.com

AXIS T8082 PS57 CHASSIS 2KW 1U

Visitez le centre d'apprentissage en ligne Axis sur le site www.axis.com/academy pour en savoir plus sur les formations, les webinaires, les tutoriels et les guides.

Informations sur la garantie

Pour obtenir de plus amples informations sur la garantie du produit AXIS et des renseignements connexes, allez sur le site www.axis.com/warranty/

Sicherheitsinformation

Lesen Sie das Installationshandbuch sorgfältig durch bevor sie das Produkt installieren. Bewahren Sie das Installationshandbuch für zukünftige Zwecke auf.

Gefährdungsstufen

▲GEFAHR

Weist auf eine gefährliche Situation hin, welche, falls nicht verhindert, zu Tod oder schweren Verletzungen führt.

▲WARNUNG

Weist auf eine gefährliche Situation hin, welche, falls nicht verhindert, zu Tod oder schweren Verletzungen führen kann.

▲VORSICHT

Weist auf eine gefährliche Situation hin, welche, falls nicht verhindert, zu geringfügiger oder mäßiger Verletzung führen kann.

HINWEIS

Weist auf eine gefährliche Situation hin, welche, falls nicht verhindert, zu Sachschäden führen kann.

Weitere Nachrichtenstufen

Wichtig

Weist auf wichtige Informationen hin, die den richtigen Betrieb des Produkts gewährleisten.

Beachten

Weist auf nützliche Informationen hin, die die optimale Verwendung des Produkts unterstützen.

Sicherheitsanweisungen

▲WARNUNG

- Das Axis Produkt muss von fachmännischem Personal installiert werden.

HINWEIS

- Die Anwendung des Axis Produkts muss unter Beachtung der örtlich geltenden rechtlichen Bestimmungen erfolgen.
- Bei der Anwendung von Axis Produkten im Außenbereich oder ähnlichen Umgebungen, müssen diese in zugelassenen Außengehäusen installiert werden.
- Lagern Sie das Axis Produkt in einer trockenen und belüfteten Umgebung.
- Achten Sie darauf, dass das Axis Produkt weder Stößen noch starkem Druck ausgesetzt ist.
- Achten Sie darauf, dass das Axis Produkt keinen Vibrationen ausgesetzt ist.
- Installieren Sie das Produkt nicht an instabilen Halterungen, Oberflächen oder Wänden.
- Verwenden Sie bei der Installation des Axis Produkts ausschließlich passende Werkzeuge. Ein zu großer Kraftaufwand mit elektrischen Werkzeugen kann das Produkt beschädigen.
- Verwenden Sie nur Zubehör, das den technischen Daten des Produkts entspricht. Dieses ist von Axis oder Drittanbietern erhältlich.
- Verwenden Sie ausschließlich Ersatzteile die von Axis bereitgestellt oder empfohlen werden.
- Versuchen Sie nicht, das Produkt selbstständig zu reparieren. Wenden Sie sich bezüglich Reparatur und Wartung an den Axis Support oder Ihren Axis Händler.

Transport

HINWEIS

- Bei Bedarf transportieren Sie das Axis Produkt in der Originalverpackung oder einer entsprechenden Verpackung, so dass Schäden vermieden werden.

Rack-Montage

HINWEIS

- Wenn das Axis Produkt in einem geschlossenen Rack oder einem Rack mit weiteren Geräten installiert ist, kann die Temperatur innerhalb des Racks erheblich über der Umgebungstemperatur liegen.
- Sorgen Sie für in Racks montierten Axis Produkten für ausreichende Luftzufuhr.
- Wenn ein Axis Produkt in einem Rack montiert wird, dürfen keine weiteren Geräte direkt darüber angebracht werden. Die Montagehalterungen sind nur für ein Gerät ausgelegt. Jedes Gerät im Rack muss mit entsprechenden Halterungen gesichert werden. Positionieren Sie das schwerste Gerät im Rack zu unterst.
- Die Elektrik des Gebäudes muss mit einem Überstrom-, Kurzschluss- und Erdschlussschutz ausgestattet sein.
- Das Axis Produkt muss bei Montage in einem Rack ordnungsgemäß geerdet sein. Stellen Sie sicher, dass alle Mehrfachsteckdosen und Netzteile geerdet sind.

Installationsanleitung

In dieser Anleitung wird die Installation des AXIS T8082 PS57 CHASSIS 2KW 1U beschrieben.

Installationschritte

1. Stellen Sie sicher, dass die Packungsinhalte, Werkzeuge und andere notwendige Materialien für die Installation in Ordnung sind. Siehe *Seite 33*.
2. Machen Sie sich mit der Hardware-Übersicht vertraut. Siehe *Seite 34*.
3. Machen Sie sich mit den technischen Daten vertraut. Siehe *Seite 35*.
4. Installieren Sie die Hardware. Siehe *Seite 36*.

Lieferumfang

- AXIS T8080 PS57 Chassis 1U
- AXIS T8081 PS57 Module 1000 W (2x)
- AXIS T8088 PS57-Verteiler
- Netzkabel des Verteilers
- Wechselstromkabel (2x)
- Gleichstromkabel (14x)
- Installationsanleitung (dieses Dokument)

Optionales Zubehör

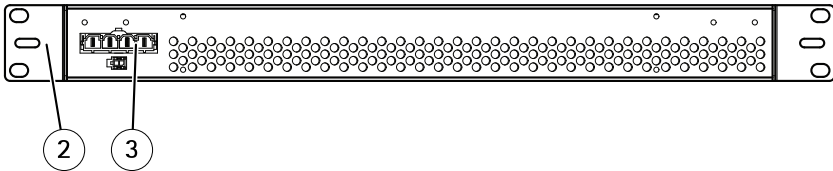
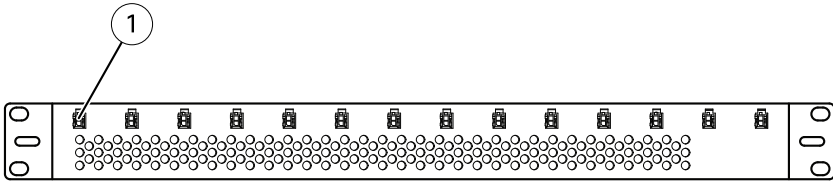
- AXIS T8081 PS57 Module 1000W

Unter www.axis.com finden Sie Informationen über verfügbares Zubehör.

AXIS T8082 PS57 CHASSIS 2KW 1U

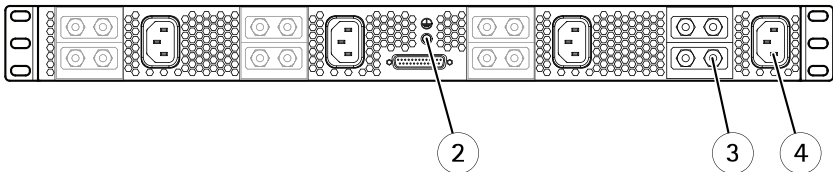
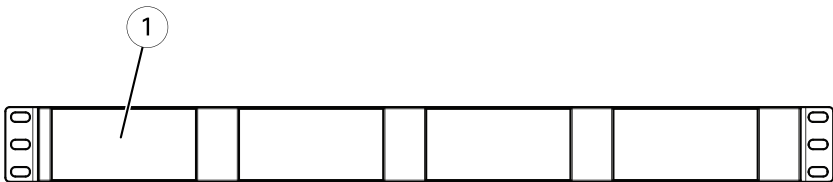
Übersicht über die Hardware

AXIS T8088 PS57-Verteiler



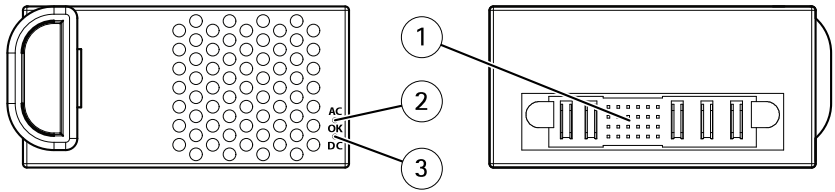
- 1 Gleichstromausgang (14 x)
- 2 Montagehalterung
- 3 Gleichstromeingang

AXIS T8080 PS57 Chassis 1U



- 1 Einschub für Netzteilmodul
- 2 Masseschraube
- 3 Gleichstromausgang
- 4 Wechselstromeingang

AXIS T8081 PS57 Module 1000W



- 1 Backplane-Anschluss
- 2 AC-LED
- 3 DC-LED

LED-Anzeigen

LED	Farbe	Bedeutung
Wechselstrom	Leuchtet nicht	Nicht an die Stromversorgung angeschlossen
	Grün	Leuchtet bei Normalbetrieb nach dem Start 10 Sekunden lang grün.
Gleichstrom	Leuchtet nicht	Anschluss und Normalbetrieb
	Grün	Leuchtet bei Normalbetrieb nach dem Start 10 Sekunden lang grün.

DEUTSCH

Technische Daten

Betriebsbedingungen

Das Axis Produkt ist für die Verwendung in Innenräumen ausgelegt.

Produkt	Temperatur	Luftfeuchtigkeit
AXIS T8082	0 °C bis 55 °C	10 bis 85 % relative Luftfeuchtigkeit (nicht kondensierend)

Elektrische Daten

Beachten

Das AXIS T8082-Gehäuse wird mit zwei vorinstallierten AXIS T8081-Modulen geliefert. Im Gehäuse können zwei weitere Module installiert werden. Die folgenden Daten gelten für ein Modul.

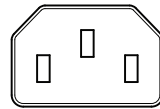
AXIS T8082 PS57 CHASSIS 2KW 1U

	AXIS T8081
Eingangsspannung	100 bis 240 V AC
Eingangsfrequenz	50/60 Hz
Ausgangsspannung	57 V DC
Leistungsfaktor	> 0,95
Wirkungsgrad	Bis zu 90 %
Eingangsstrom	Max. 12 A
Überlastschutz	120 % Überlast

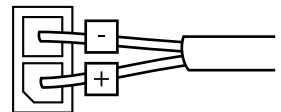
Anschlüsse

Stromanschluss

Wechselstromanschluss für Stromeingang.



2-poliger Anschlussblock für Gleichstromausgang.



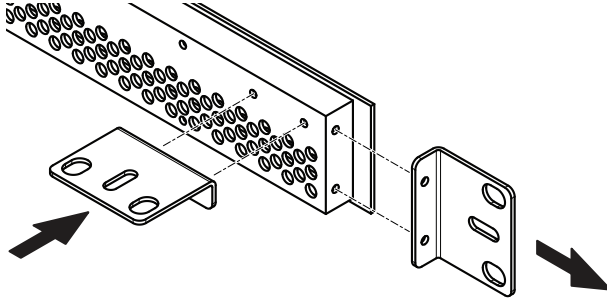
Installieren der Hardware

Beachten

- Das AXIS T8082 ist ausschließlich für die Verwendung mit dem AXIS T8646 PoE+ over Coax Blade bestimmt.
- Der AXIS T8088 PS57-Verteiler ist ausschließlich für die Verwendung mit dem AXIS T8080 PS57 Chassis 1U bestimmt.
- Die Stromkabel sind sehr kurz. Wenn das Gehäuse mit den Blades auf einer Gleitschiene installiert wird, muss der Verteiler an der Unterseite dieses Gehäuses angebracht werden.
- Alle Komponenten müssen vor dem Einschalten installiert und angeschlossen werden.

Installieren des Verteilers

1. So bringen Sie den Verteiler an der Gehäuseunterseite an:
 - Entfernen Sie die Schrauben und Halterungen von der Seite des Verteilers.
 - Bringen Sie die Halterungen mit den Schrauben an der Rückseite des Verteilers an.



2. Bringen Sie den Verteiler am Rack oder an der Gehäuseunterseite an.

Beachten

Schließen Sie das Verteilerstromkabel erst nach Installation des Netzteils an.

3. Schließen Sie die Blades mit den Gleichstromkabeln an den Verteiler an.

Installieren des Netzteils

⚠ GEFAHR

Stromschlaggefahr. Trennen Sie die Stromversorgung, bevor Sie das Netzteil installieren.

Beachten

Schließen Sie nicht alle Netzteilmodule an denselben Stromkreis an:

- Jedes Netzteilmodul belastet das Netz mit bis zu 1000 W. Das Netz kann durch Anschließen mehrerer Module überlastet werden.
- Das Netzteil verfügt über integrierte Redundanz, um den Ausfall eines oder mehrerer Netzteilmodule zu kompensieren. Wenn die Module über verschiedene Stromkreise versorgt werden, besteht außerdem Schutz bei Ausfall eines Stromkreises.
- Sie können mehrere Verteiler an das Netzteil anschließen. Verwenden Sie für jeden Verteiler einen separaten Anschluss am Klemmenblock auf der Rückseite des Netzteils. Die Anschlüsse sind parallel geschaltet.

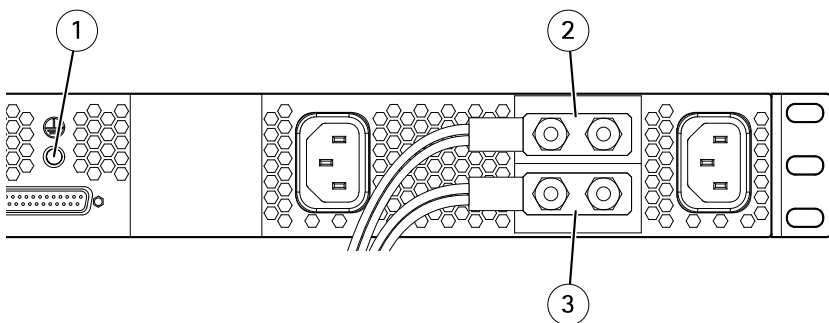
AXIS T8082 PS57 CHASSIS 2KW 1U

1. Entfernen Sie die Abdeckung eines der Gleichstromausgang-Klemmenblocks auf der Rückseite des Netzteils.
2. Verbinden Sie das Verteilernetzkabel mit den Anschlüssen des Netzteils.

HINWEIS

Ziehen Sie die Muttern fest. Wenn sich die Klemmen lösen, besteht die Gefahr eines Kurzschlusses.

3. Setzen Sie die Abdeckung wieder auf den Klemmenblock auf.
4. Erden Sie das Netzteil mithilfe eines Massekabels, das Sie mit der Masseschraube an der Rückseite des Netzteils anbringen.



- 1 *Masseschraube*
- 2 *Positiver Anschluss (Rot)*
- 3 *Negativer Anschluss (Schwarz)*

▲GEFAHR

Stromschlaggefahr. Die Klemmen an der Rückseite des Netzteils sind nach Anschluss der Wechselstromkabel stromführend.

5. Schließen Sie die Wechselstromkabel an der Rückseite des Netzteils direkt hinter den beiden Netzteilmodulen an. Wenn Sie weitere Netzteilmodule hinzufügen, benötigen diese separate Wechselstromkabel.
6. Bringen Sie das Netzteil mit geeigneten Schrauben am Rack an.
7. Schließen Sie das Verteilerstromkabel am Verteiler des AXIS T8088 an.

Installieren des Netzteilmoduls

▲GEFAHR

Das AXIS T8081 PS57 Modul 1000W ist ausschließlich für die Verwendung mit dem AXIS T8080 PS57 Chassis 1U bestimmt.

Lesen Sie die Anleitung, bevor Sie das Produkt installieren. Das Netzteilmodul kann ausgetauscht werden, wenn das Gehäuse an die Stromversorgung angeschlossen ist.

▲GEFAHR

Stromschlaggefahr.

- Die Einschübe dürfen nur für Axis T8081-Netzteile verwendet werden. Verwenden Sie keinesfalls die Gehäuseeinschübe für andere Elemente oder Komponenten.
 - Leere Einschübe müssen mit den mitgelieferten Abdeckungen verschlossen werden.
1. Wenn Sie ein altes Netzteilmodul entfernen möchten, drücken Sie den Griff nach rechts und ziehen das Modul heraus. Beachten Sie bei der Entsorgung die örtlichen Gesetze und Bestimmungen.
 2. Schieben Sie das AXIS T8081 PS57 Modul 1000W in den Einschub. Das Modul muss einrasten.
 3. Vergewissern Sie sich, dass die LEDs des Netzteilmoduls ordnungsgemäßen Betrieb anzeigen.

Weitere Informationen

Unter www.axis.com finden Sie die neuste Version dieses Dokuments.

Besuchen Sie das Axis-Schulungszentrum www.axis.com/academy für anregende Schulungen, Webinare, Lernprogramme und Anleitungen.

Gewährleistungsinformationen

Informationen zur Gewährleistung der Axis Produkte und andere, hierzu relevante Informationen, finden Sie unter www.axis.com/warranty/

Informazioni di sicurezza

Leggere con attenzione la guida all'installazione prima di installare il dispositivo. Conservare questo documento per usi futuri.

Livelli di pericolo

▲PERICOLO

Indica una situazione pericolosa che, se non evitata, provoca morte o lesioni gravi.

▲AVVERTENZA

Indica una situazione pericolosa che, se non evitata, può provocare la morte o lesioni gravi.

▲ATTENZIONE

Indica una situazione pericolosa che, se non evitata, può provocare lesioni medie o minori.

AWISO

Indica una situazione che, se non evitata, può danneggiare la proprietà.

Altri livelli di messaggio

Importante

Indica informazioni importanti, essenziali per il corretto funzionamento del dispositivo.

Nota

Indica informazioni utili che aiutano ad ottenere il massimo risultato dal dispositivo.

Informazioni di sicurezza

⚠AVVERTENZA

- Il dispositivo Axis deve essere installato da un professionista qualificato.

AWISO

- Il dispositivo Axis deve essere utilizzato in conformità alle leggi e alle disposizioni locali.
- Per utilizzare il dispositivo Axis in ambienti esterni, o in ambienti simili, deve essere installato in una custodia per esterni approvata.
- Conservare il dispositivo Axis in un ambiente asciutto e ventilato.
- Evitare di esporre il dispositivo Axis a urti o pressioni eccessive.
- Evitare di esporre il dispositivo Axis a vibrazione.
- Non installare il dispositivo su supporti, superfici o pareti instabili.
- Utilizzare solo strumenti applicabili quando si installa il dispositivo Axis. Se si utilizza una forza eccessiva con strumenti non adatti è possibile causare danni al dispositivo.
- Utilizzare solo accessori compatibili con le specifiche tecniche del dispositivo. Questi possono essere forniti da Axis o da terze parti.
- Utilizzare solo parti di ricambio fornite o consigliate da Axis.
- Non tentare di riparare il dispositivo da soli. Contattare l'assistenza o il rivenditore Axis per questioni relative alla manutenzione.

Trasporto

AWISO

- Durante il trasporto del dispositivo Axis, utilizzare l'imballaggio originale o equivalente per evitare danni al dispositivo.

Montaggio su rack

AVVISO

- Se il dispositivo Axis è installato su rack chiuso o con altre unità, la temperatura del rack potrebbe essere molto più alta della temperatura dell'ambiente circostante.
- Durante il montaggio su rack, accertarsi che il flusso d'aria attorno al dispositivo Axis sia sufficiente.
- Quando il montaggio del dispositivo Axis avviene su rack, non impilare altre unità direttamente sopra il rack. Le staffe di montaggio sono progettate per supportare non più di un'unità. Ogni unità del rack deve essere fissata con staffe appropriate. Posizionare le unità più pesanti nella parte inferiore del rack.
- Verificare che l'edificio disponga di idonee protezioni contro le sovracorrenti, i corto circuiti e i guasti di terra.
- Il dispositivo Axis deve essere connesso a terra correttamente in caso di montaggio su rack. Accertarsi che le ciabatte e gli alimentatori siano messi a terra.

Guida all'installazione

La presente guida all'installazione fornisce le istruzioni necessarie per installare il telaio AXIS T8082 PS57 2KW 1U.

Procedura di installazione

1. Assicurarsi che il contenuto della confezione, gli strumenti e altri materiali necessari per l'installazione siano in ordine. Consultare *pagina 45*.
2. Studiare la descrizione dell'hardware. Consultare *pagina 46*.
3. Studiare le specifiche. Consultare *pagina 47*.
4. Installare l'hardware. Consultare *pagina 49*.

Contenuto della confezione

- Telaio 1U AXIS T8080 PS57
- Modulo AXIS T8081 PS57 1000W (2 pz)
- Quadro di distribuzione AXIS T8088 PS57
- Cavo di alimentazione del quadro elettrico di distribuzione
- Cavi di alimentazione CA (2 pz)
- Cavetti di alimentazione CC (14 pz)
- Guida all'installazione (questo documento)

Accessori opzionali

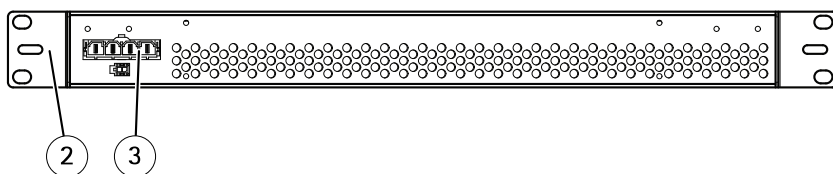
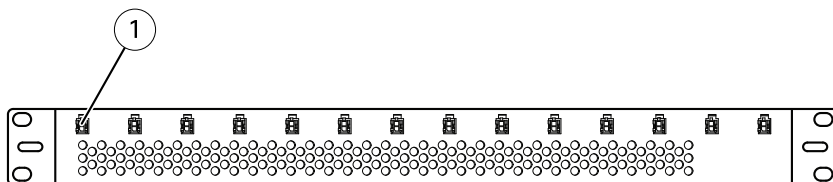
- Modulo AXIS T8081 PS57 1000W

Visitare il sito web www.axis.com per informazioni sugli accessori disponibili.

AXIS T8082 PS57 CHASSIS 2KW 1U

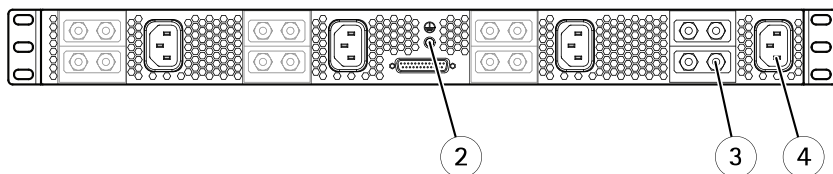
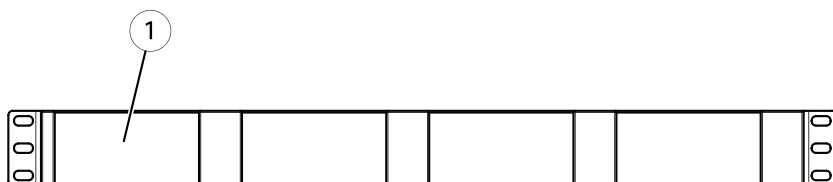
Panoramica dell'hardware

Quadro di distribuzione AXIS T8088 PS57



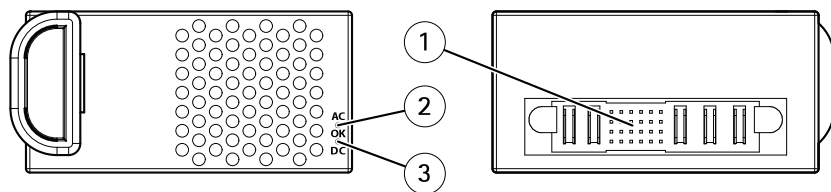
- 1 *Uscita alimentazione CC (14 pz)*
- 2 *Staffa di montaggio*
- 3 *Ingresso alimentazione CC*

Telaio 1U AXIS T8080 PS57



- 1 *Slot per modulo alimentatore*
- 2 *Vite a terra*
- 3 *Uscita alimentazione CC*
- 4 *Ingresso alimentazione CC*

Modulo AXIS T8081 PS57 1000W



- 1 Connettore backplane
- 2 LED CA
- 3 LED CC

Indicatori LED

LED	Colore	Indicazione
CA	Luce spenta	Nessuna alimentazione
	Verde	Una luce verde fissa per 10 secondi indica il normale funzionamento dopo il riavvio.
CC	Luce spenta	Connessione e funzionamento normale
	Verde	Una luce verde fissa per 10 secondi indica il normale funzionamento dopo il riavvio.

Dati tecnici

Condizioni di funzionamento

Il dispositivo Axis è destinato all'uso interno.

Dispositivo	Temperatura	Umidità
AXIS T8082	Da 0° C a 55° C (da 32° F a 131° F)	10 - 85% (umidità relativa senza condensa)

Specifiche elettriche

Nota

Il telaio AXIS T8082 viene fornito con due moduli AXIS T8081 installati. È possibile installare altri due moduli nel telaio. Le specifiche seguenti sono relative a un solo modulo.

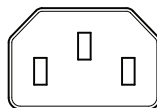
AXIS T8082 PS57 CHASSIS 2KW 1U

	AXIS T8081
Tensione in ingresso	100–240 V CA
Frequenza in ingresso	50/60 Hz
Tensione in uscita	57 V CC
Fattore alimentazione	> 0,95
Efficienza	Fino al 90%
Corrente in ingresso	Massimo 12 A
Protezione sovraccarico	Sovraccarico 120%

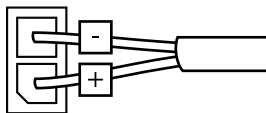
Connettori

Connettore di alimentazione

Connettore CA per ingresso alimentazione.



Morsettiera a 2 pin per uscita alimentazione CC.



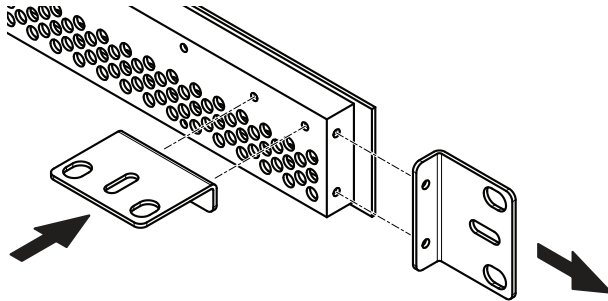
Installazione dell'hardware

Nota

- AXIS T8082 è progettato solo per l'utilizzo con AXIS T8646 PoE+ Over Coax Blade.
- Il quadro di distribuzione AXIS T8088 PS57 è progettato solo per l'utilizzo con il telaio 1U AXIS T8080 PS57.
- I cavetti di alimentazione sono molto corti. Se il telaio con i blade è installato su una guida di scorrimento, il quadro elettrico di distribuzione deve essere collegato al rack o alla parte inferiore di tale telaio.
- Tutti i componenti devono essere installati e collegati prima dell'accensione del sistema.

Installazione del quadro elettrico di distribuzione

1. Per collegare il quadro elettrico di distribuzione alla parte inferiore del telaio:
 - Rimuovere le viti e le staffe dalla parte laterale del quadro elettrico di distribuzione.
 - Collegare le staffe con le viti alla parte posteriore del quadro elettrico di distribuzione.



2. Collegare il quadro elettrico di distribuzione al rack o alla parte inferiore del telaio.

Nota

Non collegare il cavo di alimentazione del quadro finché non è stato installato l'alimentatore.

3. Collegare i cavetti di alimentazione CC tra il quadro elettrico di distribuzione e i blade.

Installazione dell'alimentatore

▲PERICOLO

Rischio di scosse elettriche. Rimuovere tutte le fonti di alimentazione prima di installare l'alimentatore.

Nota

Non collegare tutti i moduli di alimentazione allo stesso circuito:

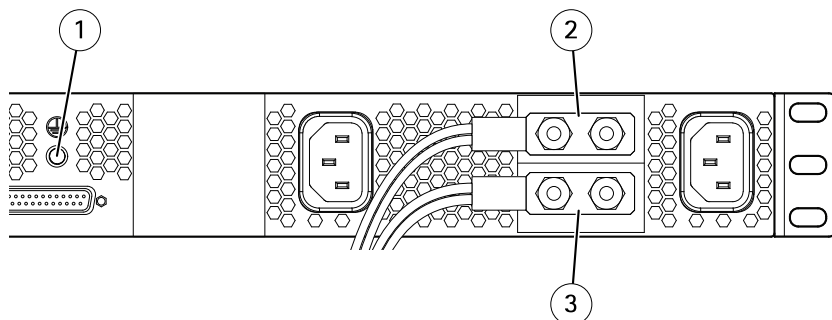
- Ogni modulo di alimentazione preleva fino a 1000 W di potenza dalla rete. Il collegamento di più moduli allo stesso circuito può provocarne il sovraccarico.
- L'alimentatore dispone di ridondanza intrinseca che consente di operare anche in caso di guasto di uno o più moduli di alimentazione. Se i moduli sono alimentati da circuiti separati, la ridondanza coprirà anche i guasti dei circuiti.
- È possibile collegare più quadri elettrici di distribuzione all'alimentatore. Per effettuare questa operazione, utilizzare terminali separati sul retro dell'alimentatore per ciascun pannello di distribuzione. I terminali sono collegati in parallelo.

1. Rimuovere la copertura su uno dei terminali di uscita alimentazione CC a destra sul retro dell'alimentatore.
2. Collegare i terminali del cavo di alimentazione del quadro ai connettori presenti sull'alimentatore.

AVVISO

Stringere le viti con forza. Se i terminali sono lenti, c'è il rischio che mandino in cortocircuito i connettori.

3. Riposizionare la copertura sul terminale.
4. Collegare a terra l'alimentatore connettendo un cavo di messa a terra alla relativa vite posta sul retro dell'alimentatore.



1 Vite a terra

- 2 *Terminale positivo (rosso)*
- 3 *Terminale negativo (nero)*

▲PERICOLO

Rischio di scosse elettriche. Quando i cavi di alimentazione CA sono collegati, i terminali presenti sul retro dell'alimentatore sono attivi.

5. Collegare i cavi di alimentazione CA al retro dell'alimentatore, direttamente dietro ai due moduli di alimentazione. Se vengono aggiunti ulteriori moduli di alimentazione, questi devono avere tutti cavi di alimentazione CA separati.
6. Fissare l'alimentatore al rack di montaggio utilizzando le viti fornite in dotazione.
7. Collegare il cavo di alimentazione del quadro di distribuzione al quadro elettrico di distribuzione AXIS T8088.

Installazione del modulo alimentatore

▲PERICOLO

Il modulo AXIS T8081 PS57 1000W è progettato solo per l'utilizzo con il telaio 1U AXIS T8080 PS57.

Leggere attentamente tutte le istruzioni prima di installare il dispositivo. Il modulo alimentatore può essere sostituito quando il telaio è in fase di alimentazione.

▲PERICOLO

Rischio di scosse elettriche.

- Gli slot devono essere utilizzati solo per i moduli alimentatore di AXIS T8081. Non inserire altro nello slot del telaio.
 - Gli slot vuoti devono essere coperti con le coperture fornite.
1. Per rimuovere un modulo alimentatore vecchio, premere la maniglia verso destra ed estrarre il modulo. Smaltirlo in base alle leggi e alle normative locali.
 2. Inserire il modulo AXIS T8081 PS57 1000W nello slot e accertarsi che scatti in posizione.
 3. Verificare che il funzionamento indicato dai LED sul modulo alimentatore sia normale.

Ulteriori Informazioni

Per la versione più recente di questo documento, visitare il sito all'indirizzo www.axis.com

Visitare il centro di apprendimento Axis alla pagina www.axis.com/academy per servizi di formazione utili, webinar, tutorial e guide.

Informazioni sulla garanzia

Per informazioni sulla garanzia del dispositivo Axis e informazioni ad esso relative, consultare la pagina www.axis.com/warranty/

Información de seguridad

Lea esta Guía de instalación con atención antes de instalar el producto. Guarde la Guía de instalación para poder consultarla en otro momento.

Niveles de peligro

▲PELIGRO

Indica una situación peligrosa que, si no se evita, provocará lesiones graves o la muerte.

▲ADVERTENCIA

Indica una situación peligrosa que, si no se evita, puede provocar lesiones graves o la muerte.

▲ATENCIÓN

Indica una situación peligrosa que, si no se evita, puede provocar lesiones moderadas o leves.

AVISO

Indica una situación peligrosa que, si no se evita, puede provocar daños materiales.

Otros niveles de mensaje

Importante

Indica información importante que es fundamental para que el producto funcione correctamente.

Nota

Indica información útil que ayuda a aprovechar el producto al máximo.

Instrucciones de seguridad

▲ADVERTENCIA

- El encargado de instalar el producto de Axis debe ser un profesional con experiencia.

AVISO

- El producto de Axis debe utilizarse de acuerdo con las leyes y normativas locales.
- Para usar el producto de Axis en exteriores, o en entornos similares, debe instalarse en una carcasa exterior aprobada.
- Almacene el producto de Axis en un entorno seco y ventilado.
- Evite la exposición del producto de Axis a choques o a una fuerte presión.
- Evite la exposición del producto de Axis a vibraciones.
- No instale el producto en soportes, superficies o paredes inestables.
- Utilice solo las herramientas correspondientes cuando instale el producto de Axis. La aplicación de una fuerza excesiva con herramientas eléctricas puede provocar daños en el producto.
- Utilice solo accesorios que cumplan con las especificaciones técnicas del producto. Estos accesorios los puede proporcionar Axis o un tercero.
- Utilice solo piezas de repuesto proporcionadas o recomendadas por Axis.
- No intente reparar el producto usted mismo. Póngase en contacto con el servicio de asistencia técnica de Axis o con su distribuidor de Axis para tratar asuntos de reparación.

Transporte

AVISO

- Cuando transporte el producto de Axis, utilice el embalaje original o un equivalente para evitar daños en el producto.

Montaje en bastidor

AVISO

- Si instala el producto de Axis en un bastidor cerrado o en un bastidor junto con otras unidades, la temperatura del bastidor puede ser considerablemente superior a la temperatura ambiente de la habitación.
- Asegúrese de permitir un flujo de aire suficiente alrededor del producto de Axis cuando lo instale en un bastidor.
- Cuando instale el producto de Axis en un bastidor, nunca apile otras unidades directamente sobre él. Los soportes de montaje no están diseñados para contener más de una unidad. Fije cada unidad instalada en el bastidor con los soportes adecuados. Coloque las unidades más pesadas en la parte inferior del bastidor.
- Debe proporcionarse protección contra sobretensión, cortocircuitos y derivaciones a tierra en la instalación del edificio.
- El producto de Axis debe conectarse correctamente a tierra cuando se instale en un bastidor. Asegúrese de que todas las regletas y fuentes de alimentación están conectadas a tierra.

Guía de instalación

Esta Guía de instalación incluye las instrucciones necesarias para instalar el chasis AXIS T8082 PS57 2 KW 1U.

Pasos de la instalación

1. Asegúrese de que dispone del contenido del paquete, las herramientas y los demás materiales necesarios para la instalación. *Vea página 57.*
2. Estudie la información general del hardware. *Vea página 58.*
3. Estudie las especificaciones. *Vea página 59.*
4. Instale el hardware. *Vea página 61.*

Contenido del paquete

- Chasis AXIS T8080 PS57 1U
- Módulo AXIS T8081 PS57 1000 W (2 piezas)
- Panel de distribución AXIS T8088 PS57
- Cable de alimentación del panel de distribución
- Cables de alimentación de CA (2 piezas)
- Cables de conexión de alimentación de CC (14 piezas)
- Guía de instalación (este documento)

Accesorios opcionales

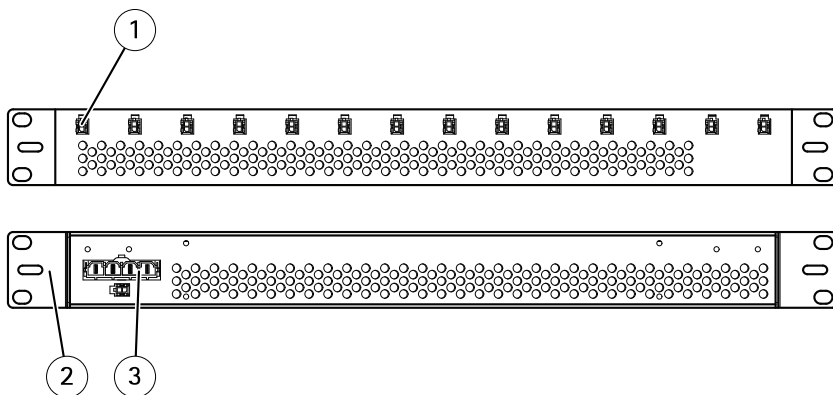
- Módulo AXIS T8081 PS57 1000 W

Para obtener información sobre los accesorios disponibles, visite www.axis.com.

AXIS T8082 PS57 CHASSIS 2KW 1U

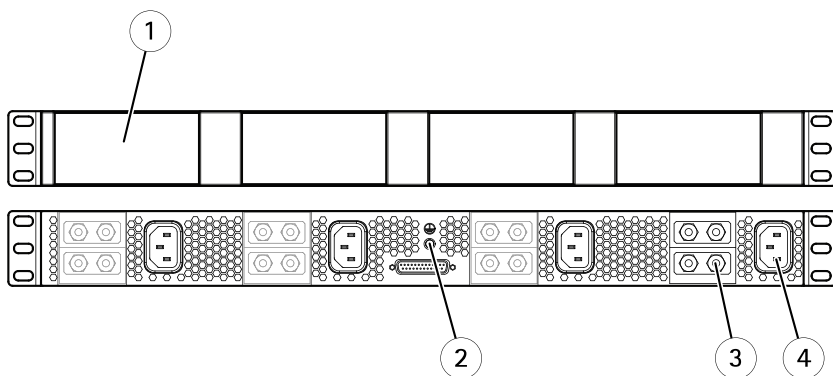
Información general del hardware

Panel de distribución AXIS T8088 PS57



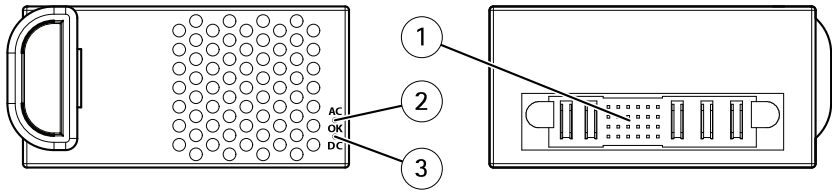
- 1 Salida de alimentación de CC (14 piezas)
- 2 Soporte de montaje
- 3 Entrada de alimentación de CC

Chasis AXIS T8080 PS57 1U



- 1 Ranura para el módulo de fuente de alimentación
- 2 Tornillo de tierra
- 3 Salida de alimentación de CC
- 4 Entrada de alimentación de CA

Módulo AXIS T8081 PS57 1000 W



- 1 Conector de plano posterior
- 2 LED de CA
- 3 LED de CC

Indicadores LED

LED	Color	Indicación
CA	Apagado	Sin alimentación
	Verde	Se muestra fijo durante 10 segundos para indicar un funcionamiento normal después del reinicio.
CC	Apagado	Conexión y funcionamiento normal
	Verde	Se muestra fijo durante 10 segundos para indicar un funcionamiento normal después del reinicio.

Especificaciones

Condiciones de funcionamiento

El producto de Axis se ha creado para su uso en interiores.

Producto	Temperatura	Humedad
AXIS T8082	De 0 °C a 55 °C	Humedad relativa del 10 al 85 % (sin condensación)

Especificaciones eléctricas

Nota

El chasis AXIS T8082 incorpora dos módulos AXIS T8081 preinstalados. En el chasis pueden instalarse dos módulos más. La especificación que se indica a continuación es para un módulo.

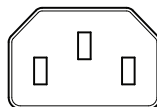
AXIS T8082 PS57 CHASSIS 2KW 1U

	AXIS T8081
Tensión de entrada	100-240 V CA
Frecuencia de entrada	50/60 Hz
Tensión de salida	57 V CC
Factor de potencia	> 0,95
Eficiencia	Hasta el 90 %
Corriente de entrada	12 A máx.
Protección por sobrecarga	Sobrecarga del 120 %

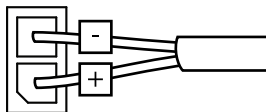
Conectores

Conector de alimentación

Conector de CA para entrada de alimentación.



Bloque de terminales de 2 pines para la salida de alimentación de CC.



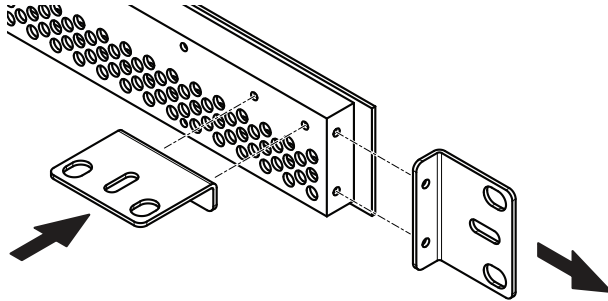
Instalación del hardware

Nota

- El AXIS T8082 está diseñado para utilizarse exclusivamente con la tarjeta a para PoE+ por cable coaxial AXIS T8646.
- El panel de distribución AXIS T8088 PS57 está diseñado para utilizarse exclusivamente con el chasis 1U AXIS T8080 PS57.
- Los cables de conexión de alimentación son muy cortos. Si se instala el chasis con las tarjetas sobre una guía deslizante, el panel de distribución se colocará en la parte inferior del chasis.
- Instale y conecte todos los componentes antes de encender el sistema.

Instalación del panel de distribución

1. Para instalar el panel de distribución en la parte inferior del chasis, haga lo siguiente:
 - Retire los tornillos y los soportes de la parte lateral del panel de distribución.
 - Atornille los soportes en la parte trasera del panel de distribución.



2. Instale el panel de distribución en el bastidor o en la parte inferior del chasis.

Nota

No conecte el cable de alimentación del panel de distribución hasta que no haya instalado la fuente de alimentación.

3. Conecte el panel de distribución y las tarjetas con los cables de conexión de alimentación de CC.

Instalación de la fuente de alimentación

⚠PELIGRO

Riesgo de descarga eléctrica. Desconecte toda la alimentación eléctrica antes de instalar la fuente de alimentación.

Nota

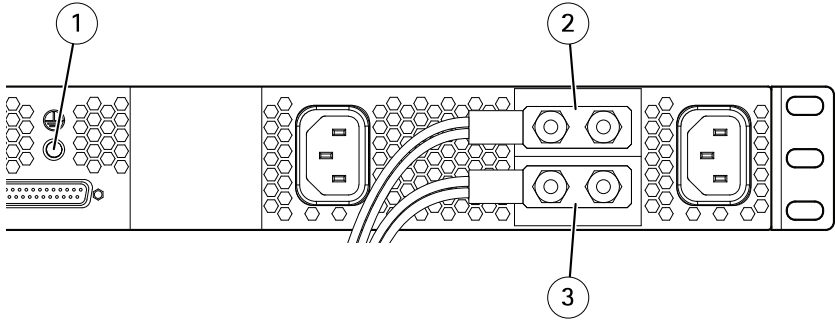
No conecte todos los módulos de fuente de alimentación al mismo circuito de alimentación:

- Cada módulo de fuente de alimentación utiliza hasta 1000 W de potencia de la red principal. Si conecta varios módulos al mismo circuito, este puede sobrecargarse.
 - La fuente de alimentación incluye un sistema de redundancia integrado que protege de posibles fallos en uno o más módulos de fuente de alimentación. Si los módulos reciben suministro de diferentes circuitos, el sistema de redundancia también cubrirá posibles fallos en los circuitos.
 - Es posible conectar varios paneles de distribución a la fuente de alimentación. Para ello, utilice terminales independientes para conectar cada panel de distribución en la parte posterior de la fuente de alimentación. Los terminales se conectan en paralelo.
1. Retire la cubierta de uno de los terminales de salida de alimentación de CC en la parte posterior de la fuente de alimentación.
 2. Conecte los terminales del cable de alimentación del panel de distribución a los conectores de la fuente de alimentación.

AVISO

Apriete bien las tuercas. Si los terminales se sueltan, pueden provocar un cortocircuito en los conectores.

3. Vuelva a colocar la cubierta sobre el terminal.
4. Conecte la fuente de alimentación a tierra conectando un cable de tierra al tornillo de tierra en la parte posterior de la fuente de alimentación.



- 1 Tornillo de tierra
- 2 Terminal positivo (rojo)
- 3 Terminal negativo (negro)

⚠PELIGRO

Riesgo de descarga eléctrica. Los terminales de la parte posterior de la fuente de alimentación tendrán corriente una vez que se conecten los cables de alimentación de CA.

5. Conecte los cables de alimentación de CA a la parte posterior de la fuente de alimentación, directamente detrás de los dos módulos de fuente de alimentación. Si se añaden más módulos de fuente de alimentación, estos deberán conectarse con distintos cables de alimentación de CA.
6. Fije la fuente de alimentación al bastidor de montaje con los tornillos adecuados.
7. Conecte el cable de alimentación del panel de distribución al panel de distribución AXIS T8088.

Instale el módulo de la fuente de alimentación

⚠PELIGRO

El módulo AXIS T8081 PS57 1000 W se ha diseñado para su uso exclusivo con el chasis AXIS T8080 PS57 1U.

Lea todas las instrucciones antes de instalar el producto. El módulo de fuente de alimentación se puede sustituir con el chasis encendido.

⚠PELIGRO

Riesgo de descarga eléctrica.

- Las ranuras solo deben utilizarse con los módulos de fuente de alimentación AXIS T8081. No introduzca nada más dentro de la ranura del chasis.
- Las ranuras vacías deben cubrirse con las cubiertas suministradas.

AXIS T8082 PS57 CHASSIS 2KW 1U

1. Para retirar un módulo de fuente de alimentación antiguo, empuje el asa hacia la derecha y retire el módulo. Deséchelo de conformidad con las normas y leyes locales.
2. Deslice el módulo AXIS T8081 PS57 1000 W por la ranura hasta que encaje en su sitio.
3. Compruebe que los LED del módulo de alimentación indican un funcionamiento normal.

Más información

Para consultar la versión más reciente de este documento, vaya a www.axis.com

Visite el centro de aprendizaje de www.axis.com/academy para consultar guías, tutoriales, seminarios web y cursos que pueden resultarle útiles.

Información de garantía

Para obtener más detalles sobre la garantía del producto de Axis y la información relacionada con ella, consulte www.axis.com/warranty/

安全情報

本製品を設置する前に、このインストールガイドをよくお読みください。インストールガイドは、後で参照できるように保管しておいてください。

危険レベル

▲危険

回避しない場合、死亡または重傷につながる危険な状態を示します。

▲警告

回避しない場合、死亡または重傷につながるおそれのある危険な状態を示します。

▲注意

回避しない場合、軽傷または中程度の怪我につながるおそれのある危険な状態を示します。

注記

回避しない場合、器物の破損につながるおそれのある状態を示します。

その他のメッセージレベル

重要

製品を正しく機能させるために不可欠な重要情報を示します。

注意

製品を最大限に活用するために役立つ有用な情報を示します。

安全手順

▲警告

- 本製品の設置は、訓練を受けた専門技術者が行ってください。

注記

- 本製品は、お使いになる地域の法律や規制に準拠して使用してください。
- 本製品を屋外またはそれに準じる環境で使用する場合は、認定済みの屋外用筐体に収納して設置する必要があります。
- 本製品は乾燥した換気のよい環境に保管してください。
- 本製品に衝撃または強い圧力を加えないでください。
- 本製品に振動を加えないでください。
- 本製品を不安定なブラケット、表面、または壁に設置しないでください。
- 本製品を設置する際には、適切な工具のみを使用してください。電動工具を使用して過剰な力をかけると、製品が損傷することがあります。
- 製品の技術仕様に準拠したアクセサリーのみを使用してください。これらのアクセサリーは、Axisまたはサードパーティから入手できます。
- Axisが提供または推奨する交換部品のみを使用してください。
- 製品を自分で修理しないでください。修理については、Axisサポートまたは販売代理店にお問い合わせください。

輸送

注記

- 本製品を運搬する際は、製品が損傷しないよう、元の梱包か同等の梱包を使用してください。

ラックへの取り付け

注記

- 本製品を閉架式ラックや他のユニットが装着されているラックに取り付けると、ラック内の温度が周囲の室温よりかなり高くなる場合があります。
- 本製品をラック内に装着する場合は、本製品の周囲の空気の流れが十分であることを確認してください。
- ラックに装着した本製品の上に他のユニットを積載しないでください。取り付けブラケットは、2台以上のユニットを支えるように設計されていません。ラックに装着したユニットは、それぞれ、適切なブラケットを使用して固定する必要があります。重いユニットほど、ラックの下部に装着してください。
- 設置先の建物は、過電流、短絡、地絡に対する保護を備えている必要があります。
- 本製品をラックに装着する場合は、正しく接地する必要があります。すべての電源タップと電源が接地されていることを確認してください。

インストールガイド

このインストールガイドでは、AXIS T8082 PS57シャーシ (2KW、1U) を設置する手順について説明します。

設置手順

1. パッケージの内容、ツールなど、設置に必要な物がそろっているかを確認します。 69ページを参照してください。
2. ハードウェアの概要を確認します。 70ページを参照してください。
3. 仕様を確認します。 71ページを参照してください。
4. ハードウェアを設置します。 73ページを参照してください。

パッケージの内容

- AXIS T8080 PS57シャーシ (1U)
- AXIS T8081 PS57モジュール 1000 W (2台)
- AXIS T8088 PS57配電盤
- 配電盤電源ケーブル
- AC電源ケーブル (2本)
- DC電源パッチケーブル (14本)
- インストールガイド (本書)

オプションアクセサリ

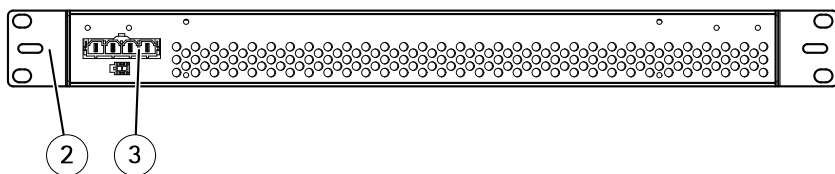
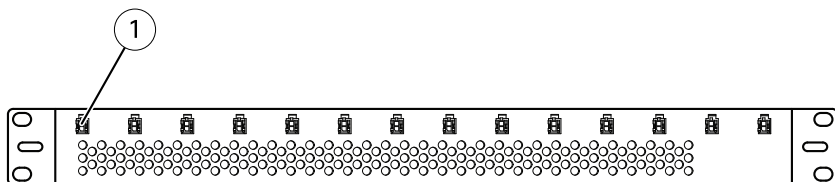
- AXIS T8081 PS57モジュール (1000W)

利用可能なアクセサリについては、www.axis.comを参照してください。

AXIS T8082 PS57 CHASSIS 2KW 1U

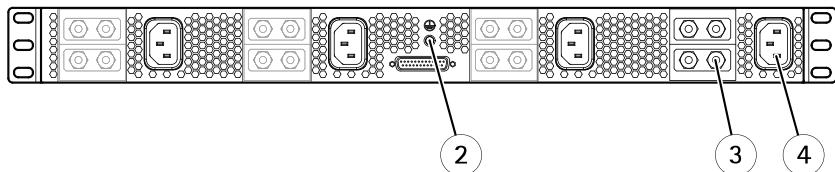
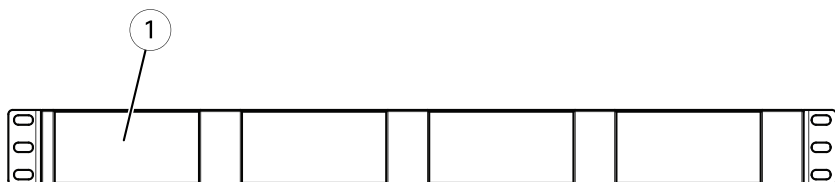
ハードウェアの概要

AXIS T8088 PS57 配電盤



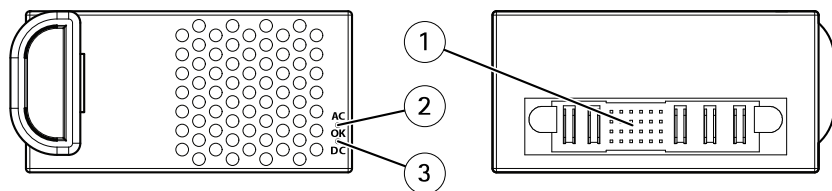
- 1 DC電源出力 (14個)
- 2 取り付けブラケット
- 3 DC電源入力

AXIS T8080 PS57 シャーシ、1U



- 1 電源モジュール用スロット
- 2 アース端子ネジ
- 3 DC電源出力
- 4 AC電源入力

AXIS T8081 PS57 モジュール (1000W)



- 1 バックプレーンコネクタ
- 2 AC LED
- 3 DC LED

LEDインジケータ

LED	色	説明
AC	消灯	電源が接続されていません。
	緑	再起動後、正常に動作する場合、10秒間、緑色で点灯します。
DC	消灯	接続時と正常動作時は無点灯
	緑	再起動後、正常に動作する場合、10秒間、緑色で点灯します。

仕様

動作条件

本製品は屋内用です。

製品	温度	湿度
AXIS T8082	0 ° C ~ 55 ° C	10 ~ 85% RH (結露不可)

AXIS T8082 PS57 CHASSIS 2KW 1U

電氣的仕様

注意

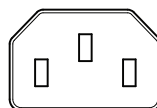
AXIS T8082シャーシは、AXIS T8081モジュールを2台装着して出荷されます。このシャーシには、さらに2台のモジュールを装着することができます。以下は、モジュール1台の仕様です。

	AXIS T8081
入力電圧	100～240 V AC
入力周波数	50/60 Hz
出力電圧	57 V DC
力率	0.95以上
効率	最大90%
入力電流	最大12 A
過負荷保護	過負荷120%

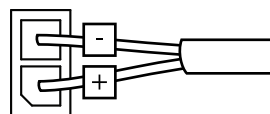
コネクター

電源コネクタ

電源入力用ACコネクタ。



DC電源出力用2ピンターミナルブロック。



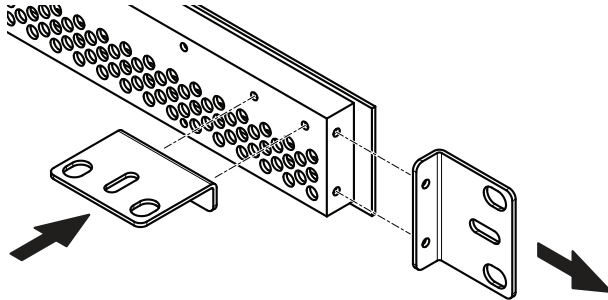
ハードウェアの設置

注意

- AXIS T8082は、AXIS T8646 PoE+同軸変換ブレードでのみ使用するよう設計されています。
- AXIS T8088 PS57配電盤は、AXIS T8080 PS57シャーシ (1U) でのみ使用するよう設計されています。
- 電源パッチケーブルは非常に短いため、ブレードを装着したシャーシをスライドレールに設置した場合、シャーシの底部に配電盤を取り付ける必要があります。
- システムに電源を投入する前に、すべてのコンポーネントの取り付けと接続を完了する必要があります。

配電盤の取り付け

1. 以下の手順で、シャーシの底部に配電盤を取り付けます。
 - 配電盤の側面からネジとブラケットを取り外します。
 - 配電盤の背面にネジでブラケットを取り付けます。



2. ラックまたはシャーシ底部に配電盤を取り付けます。

注意

配電盤の電源ケーブルは、電源の取り付けが完了するまで接続しないでください。

3. 配電盤とブレードをDC電源パッチケーブルで接続します。

電源の取り付け

▲危険

感電の危険があります。電源を取り付ける前に、すべての電源を切断してください。

注意

1つの電源回路にすべての電源モジュールを接続しないようにしてください。

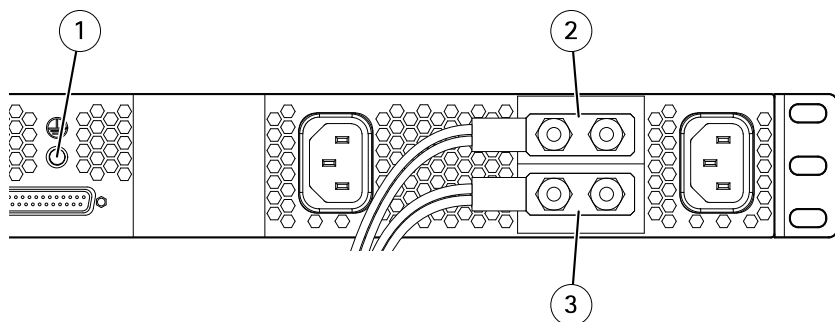
- 各電源モジュールは、メイン電源回路から最大1000 Wの電力を引き出します。複数のモジュールを同じ電源回路に接続すると、電源回路が過負荷になるおそれがあります。
- 1つまたは複数の電源モジュールが故障した場合を考慮して、電源は冗長化されています。モジュールがそれぞれ個別の電源回路から給電される場合、電源回路の故障時には、電源の冗長性によって、電力供給が維持されます。
- 電源には、複数の配電盤を接続することができます。その場合、電源の背面の各ターミナルを各配電盤に接続します。ターミナルは、並列に接続されています。

1. 電源の背面にあるいずれかのDC電源出力ターミナルのカバーを外します。
2. 配電盤電源ケーブル上のターミナルと電源のコネクタを接続します。

注記

ナットを堅く締めます。ターミナルが緩むと、コネクタが短絡するおそれがあります。

3. ターミナルにカバーを装着します。
4. 電源の背面のアース端子ネジにアース線を取り付け、電源を接地します。



- 1 アース端子ネジ
- 2 正極(赤)
- 3 負極(黒)

▲危険

感電の危険があります。AC電源ケーブルを接続すると、電源背面のターミナルが帯電します。

5. AC電源ケーブルを、2台の電源モジュールの真裏にある電源の背面に接続します。追加した電源モジュールには、それぞれ個別のAC電源ケーブルを接続する必要があります。
6. 適切なネジを使用して、電源を取り付けラックに固定します。
7. 配電盤電源ケーブルをAXIS T8088配電盤に接続します。

電源モジュールの取り付け

▲危険

AXIS T8081 PS57モジュール (1000W) は、AXIS T8080 PS57シャーシ (1U) でのみ使用します。

製品を取り付ける前に、すべての説明に目を通してください。この電源モジュールは、シャーシの電源が入った状態でも交換できます。

▲危険

感電の危険があります。

- スロットには、AXIS T8081電源モジュールしか装着できません。シャーシのスロットに他の物を装着しないでください。
 - 空きスロットは、付属のカバーで覆います。
1. 古い電源モジュールを取り外すには、ハンドルを右に押し、モジュールを引き出します。取り外した電源モジュールは、地域の法律や規制に従って廃棄します。
 2. AXIS T8081 PS57モジュール (1000W) をスロットに挿入し、モジュールが確実に装着されたことを確認します。
 3. 電源モジュールのLEDを使用して、モジュールが正常に動作していることを確認します。

関連情報

本書の最新バージョンについては、www.axis.comにアクセスしてください。

Axisラーニングセンター (www.axis.com/academy) にアクセスしてください。役に立つトレーニング、ウェブセミナー、チュートリアル、ガイドをご用意しています。

保証情報

Axisの製品保証と関連情報については、www.axis.com/warranty/をご覧ください

Installation Guide

AXIS T8082 PS57 CHASSIS 2KW 1U

© Axis Communications AB, 2014 - 2015

Ver. M2.2

Date: October 2015

Part No. 1515564