

ENGLISH

FRANÇAIS

DEUTSCH

ITALIANO

ESPAÑOL

日本語

AXIS Q8665–LE PTZ Network Camera

Installation Guide

Legal Considerations

Video surveillance can be regulated by laws that vary from country to country. Check the laws in your local region before using this product for surveillance purposes.

This product includes one (1) H.264 decoder license. To purchase further licenses, contact your reseller.

Liability

Every care has been taken in the preparation of this document. Please inform your local Axis office of any inaccuracies or omissions. Axis Communications AB cannot be held responsible for any technical or typographical errors and reserves the right to make changes to the product and manuals without prior notice. Axis Communications AB makes no warranty of any kind with regard to the material contained within this document, including, but not limited to, the implied warranties of merchantability and fitness for a particular purpose. Axis Communications AB shall not be liable nor responsible for incidental or consequential damages in connection with the furnishing, performance or use of this material. This product is only to be used for its intended purpose.

Intellectual Property Rights

Axis AB has intellectual property rights relating to technology embodied in the product described in this document. In particular, and without limitation, these intellectual property rights may include one or more of the patents listed at www.axis.com/patent.htm and one or more additional patents or pending patent applications in the US and other countries.

This product contains licensed third-party software. See the menu item "About" in the product's user interface for more information.

This product contains source code copyright Apple Computer, Inc., under the terms of Apple Public Source License 2.0 (see www.opensource.apple.com/aps/). The source code is available from <https://developer.apple.com/bonjour/>

Equipment Modifications

This equipment must be installed and used in strict accordance with the instructions given in the user documentation. This equipment contains no user-serviceable components. Unauthorized equipment changes or modifications will invalidate all applicable regulatory certifications and approvals.

Trademark Acknowledgments

AXIS COMMUNICATIONS, AXIS, ETRAX, ARTPEC and VAPIX are registered trademarks or trademark applications of Axis AB in various jurisdictions. All other company names and products are trademarks or registered trademarks of their respective companies.

Apple, Boa, Apache, Bonjour, Ethernet, Internet Explorer, Linux, Microsoft, Mozilla, Real, SMPTE, QuickTime, UNIX, Windows, Windows Vista and WWW are registered trademarks of the respective holders. Java and all Java-based trademarks and logos are trademarks or registered trademarks of Oracle and/or its affiliates. UPnP™ is a certification mark of the UPnP™ Implementers Corporation.

SD, SDHC and SDXC are trademarks or registered trademarks of SD-3C, LLC in the United States, other countries or both. Also, miniSD, microSD, miniSDHC, microSDHC, microSDXC are all trademarks or registered trademarks of SD-3C, LLC in the United States, other countries or both.

Regulatory Information

Europe

CE This product complies with the applicable CE marking directives and harmonized standards:

- Electromagnetic Compatibility (EMC) Directive 2004/108/EC. See *Electromagnetic Compatibility (EMC)* on page 2.
- Low Voltage (LVD) Directive 2006/95/EC. See *Safety* on page 3.
- Restrictions of Hazardous Substances (RoHS) Directive 2011/65/EU. See *Disposal and Recycling* on page 3.

A copy of the original declaration of conformity may be obtained from Axis Communications AB. See *Contact Information* on page 3.

Electromagnetic Compatibility (EMC)

This equipment has been designed and tested to fulfill applicable standards for:

- Radio frequency emission when installed according to the instructions and used in its intended environment.
- Immunity to electrical and electromagnetic phenomena when installed according to the instructions and used in its intended environment.

USA

This equipment has been tested using a shielded network cable (STP) and found to comply with the limits for a Class A digital device, pursuant to part 15 of the FCC Rules. These limits are designed to provide reasonable protection against harmful interference when the equipment is operated in a commercial environment. This equipment generates, uses, and can radiate radio frequency energy and, if not installed and used in accordance with the instruction manual, may cause harmful interference to radio communications. Operation of this equipment in a residential area is likely to cause harmful interference in which case the user will be required to correct the interference at his own expense.

The product shall be connected using a shielded network cable (STP) that is properly grounded.

Canada

This digital apparatus complies with CAN ICES-3 (Class A). The product shall be connected using a shielded network cable (STP) that is properly grounded. Cet appareil numérique est conforme à la norme NMB ICES-3 (classe A). Le produit doit être connecté à l'aide d'un câble réseau blindé (STP) qui est correctement mis à la terre.

Europe

This digital equipment fulfills the requirements for RF emission according to the Class A limit of EN 55022. The product shall be connected using a shielded network cable (STP) that is properly grounded. Notice! This is a Class A product. In a domestic environment this product may cause RF interference, in which case the user may be required to take adequate measures.

This product fulfills the requirements for emission and immunity according to EN 50121-4 and IEC 62236-4 railway applications.

This product fulfills the requirements for immunity according to EN 50130-4 residential, commercial, light-industrial and industrial environments.

Australia/New Zealand

This digital equipment fulfills the requirements for RF emission according to the Class A limit of AS/NZS CISPR 22. The product shall be connected using a shielded network cable (STP) that is properly grounded. Notice! This is a

Class A product. In a domestic environment this product may cause RF interference, in which case the user may be required to take adequate measures.

Japan

この装置は、クラスA 情報技術装置です。この装置を家庭環境で使用すると電波妨害を引き起こすことがあります。この場合には使用者が適切な対策を講ずるよう要求されることがあります。本製品は、シールドネットワークケーブル(STP)を使用して接続してください。また適切に接地してください。

Korea

이 기기는 업무용(A급) 전자파적합기기로서 판매자 또는 사용자는 이 점을 주의하시기 바라며, 가정외의 지역에서 사용하는 것을 목적으로 합니다. 적절히 접지된 STP (shielded twisted pair) 케이블을 사용하여 제품을 연결 하십시오.

Safety

AXIS Q8665-LE 120 V AC complies with IEC/EN/UL 60950-1 and IEC/EN/UL 60950-22, Safety of Information Technology Equipment. The product shall be grounded either through a shielded network cable (STP) or other appropriate method.

AXIS Q8665-LE 24 V AC, 100 V AC, 230 V AC comply with IEC/EN 60950-1 and IEC/EN 60950-22, Safety of Information Technology Equipment. The product shall be grounded either through a shielded network cable (STP) or other appropriate method.

Photobiological Safety

This product fulfills the requirements for photobiological safety according to IEC/EN 62471 (risk group 2).

Disposal and Recycling

When this product has reached the end of its useful life, dispose of it according to local laws and regulations. For information about your nearest designated collection point, contact your local authority responsible for waste disposal. In accordance with local legislation, penalties may be applicable for incorrect disposal of this waste.

Europe



■ This symbol means that the product shall not be disposed of together with household or commercial waste. Directive 2012/19/EU on waste electrical and electronic equipment (WEEE) is applicable in the European Union member states. To prevent potential harm to human health and the environment, the product must be disposed of in an approved and environmentally safe recycling process. For information about your nearest designated collection point, contact your local authority responsible for waste disposal. Businesses should contact the product supplier for information about how to dispose of this product correctly.

This product complies with the requirements of Directive 2011/65/EU on the restriction of the use of certain hazardous substances in electrical and electronic equipment (RoHS).

China



This product complies with the requirements of the legislative act Administration on the Control of Pollution Caused by Electronic Information Products (ACPEIP).

Contact Information

Axis Communications AB
Emdalavägen 14

223 69 Lund
Sweden

Tel: +46 46 272 18 00

Fax: +46 46 13 61 30

www.axis.com

Support

Should you require any technical assistance, please contact your Axis reseller. If your questions cannot be answered immediately, your reseller will forward your queries through the appropriate channels to ensure a rapid response. If you are connected to the Internet, you can:

- download user documentation and software updates
- find answers to resolved problems in the FAQ database. Search by product, category, or phrase
- report problems to Axis support staff by logging in to your private support area
- chat with Axis support staff
- visit Axis Support at www.axis.com/techsup/

Learn More!

Visit Axis learning center www.axis.com/academy/ for useful trainings, webinars, tutorials and guides.

Safety Information

Read through this Installation Guide carefully before installing the product. Keep the Installation Guide for future reference.

Hazard Levels

▲DANGER

Indicates a hazardous situation which, if not avoided, will result in death or serious injury.

▲WARNING

Indicates a hazardous situation which, if not avoided, could result in death or serious injury.

▲CAUTION

Indicates a hazardous situation which, if not avoided, could result in minor or moderate injury.

NOTICE

Indicates a situation which, if not avoided, could result in damage to property.

Other Message Levels

Important

Indicates significant information which is essential for the product to function correctly.

Note

Indicates useful information which helps in getting the most out of the product.

AXIS Q8665–LE PTZ Network Camera

Safety Instructions

⚠WARNING

- The Axis product shall be installed by a trained professional.

⚠CAUTION

- Risk of injury. The product shall be installed so that it is accessible only for authorized personnel due to moving parts during operation.
- The Light Sensor Box delivered with this equipment (not valid for 24 V AC) is to be installed in a Restricted Access Location (RAL).

NOTICE

- The Axis product shall be used in compliance with local laws and regulations.
- Store the Axis product in a dry and ventilated environment.
- Avoid exposing the Axis product to shocks or heavy pressure.
- Do not install the product on unstable brackets, surfaces or walls.
- Use only applicable tools when installing the Axis product. Using excessive force with power tools could cause damage to the product.
- Do not use chemicals, caustic agents, or aerosol cleaners.
- Use a clean cloth dampened with pure water for cleaning.
- Use only accessories that comply with technical specification of the product. These can be provided by Axis or a third party.
- Use only spare parts provided by or recommended by Axis.
- Do not attempt to repair the product by yourself. Contact Axis support or your Axis reseller for service matters.
- A readily and easily accessible disconnecting device must be incorporated in the electrical system of the building for rapid intervention.
- This is a permanently connected equipment (field wired). The short-circuit and overcurrent protection is provided in the building installation and it shall be of maximum 20 A.

Transportation

NOTICE

- When transporting the Axis product, use the original packaging or equivalent to prevent damage to the product.

Battery

The Axis product uses a 3.0 V BR/CR2032 lithium battery as the power supply for its internal real-time clock (RTC). Under normal conditions this battery will last for a minimum of five years.

Low battery power affects the operation of the RTC, causing it to reset at every power-up. When the battery needs replacing, a log message will appear in the product's server report. For more information about the server report, see the product's setup pages or contact Axis support.

The battery should not be replaced unless required, but if the battery does need replacing, contact Axis support at www.axis.com/techsup for assistance.

▲WARNING

- Risk of explosion if the battery is incorrectly replaced.
- Replace only with an identical battery or a battery which is recommended by Axis.
- Dispose of used batteries according to local regulations or the battery manufacturer's instructions.

Installation Guide

This Installation Guide provides instructions for installing AXIS Q8665-LE PTZ Network Camera on your network. For other aspects of using the product, see the User Manual available at www.axis.com

Product Variants

Product	Power variant
AXIS Q8665-LE	24 V AC
	100 V AC
	120 V AC
	230 V AC

Installation Steps

1. Make sure the package contents, tools and other materials necessary for the installation are in order. See *page 9*.
2. Study the hardware overview. See *page 11*.
3. Study the specifications. See *page 18*.
4. Install the hardware. See *page 20*.
5. Access the product. See *page 34*.

Package Contents

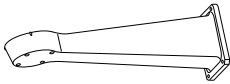
- AXIS Q8665-LE
 - PTZ Network Camera
 - Base unit
 - Sunshield
- IR illuminators kit
 - 2 illuminators
 - Bracket
 - Screws
- Light sensor box pre-mounted with 10 m power and signal cables for connection to main unit (protected with conduit)
(Not valid for AXIS Q8665-LE 24 V AC variant.)
- Auxiliary equipment for installation

AXIS Q8665–LE PTZ Network Camera

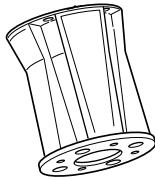
- Installation and Management Software CD
- Printed materials
 - Installation Guide (this document)
 - Extra serial number label (2x)

Required Hardware (sold separately)

- AXIS Wall Bracket K or AXIS Column Bracket K

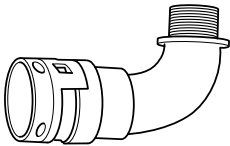


AXIS Wall Bracket K

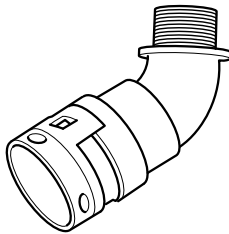


AXIS Column Bracket K

- Wall Conduit or Column Conduit



Wall Conduit



Column Conduit

Optional Accessories

- AXIS T95A64 Corner Bracket
- AXIS T95A67 Pole Bracket
- AXIS Washer Kit A
- AXIS T8604 Media Converter Switch
- AXIS T8640 Ethernet over Coax Adaptor PoE+

For information about available accessories, see www.axis.com

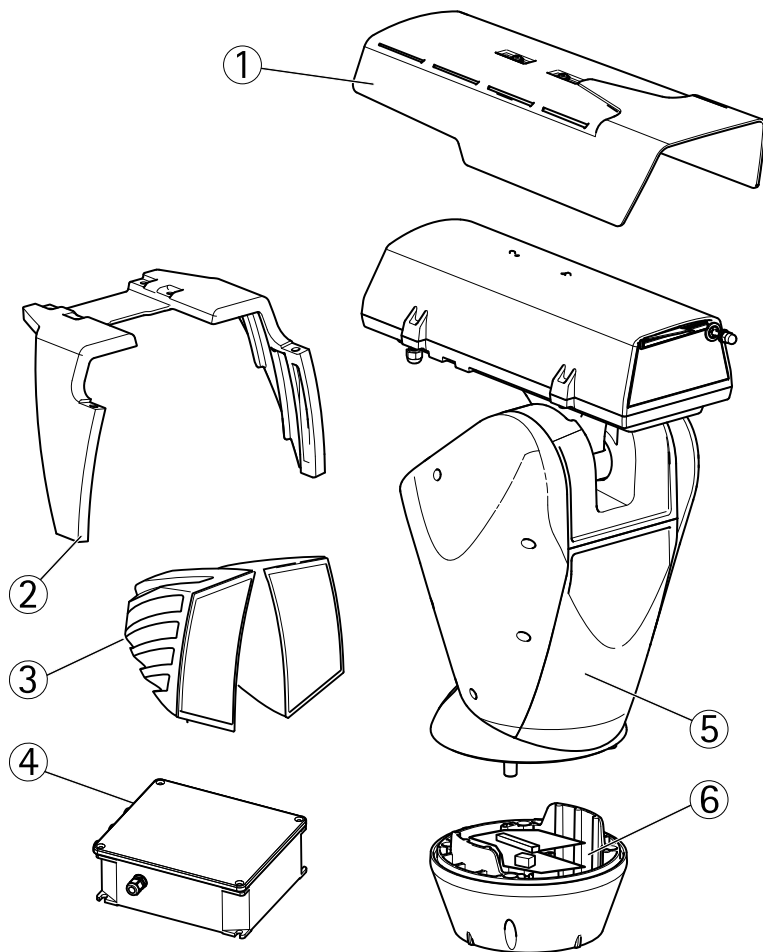
Recommended Tools

- RJ45 crimp tool
- Ratchet set
- Drill for drilling holes in mounting surface
- Loctite® 243 thread lock

Hardware Overview

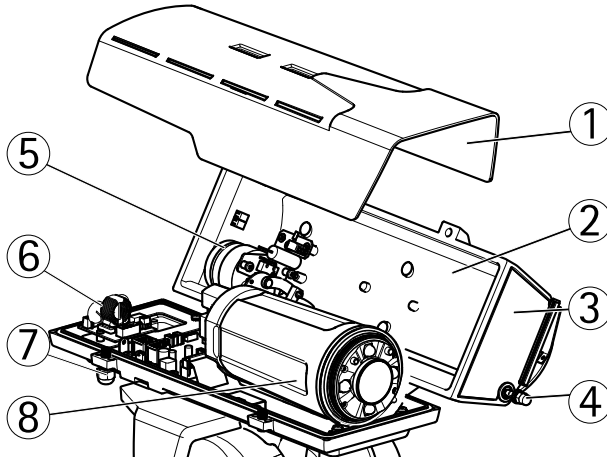
- For an overview of the housing unit see *Housing Unit on page 13*
- For an overview of the buttons and connectors on the camera, see *Camera Unit on page 14*
- For an overview of the illuminators, see *page 14*
- For an overview of the light sensor box, see *page 15*

AXIS Q8665-LE PTZ Network Camera



- 1 Sunshield
- 2 Illuminators bracket
- 3 Illuminators
- 4 Light Sensor Box (Not valid for AXIS Q8665-LE 24 V AC.)
- 5 PTZ Network Camera
- 6 Base Unit

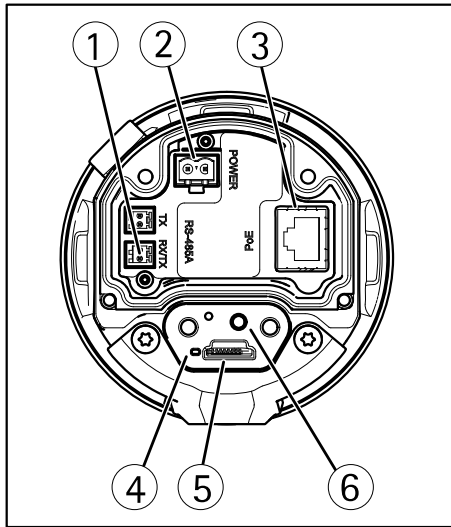
Housing Unit



- 1 Sunshield
- 2 Top cover
- 3 Protective window
- 4 Wiper
- 5 Wiper motor
- 6 Illuminator circuit board
- 7 Illuminator cable glands
- 8 Camera unit

AXIS Q8665-LE PTZ Network Camera

Camera Unit

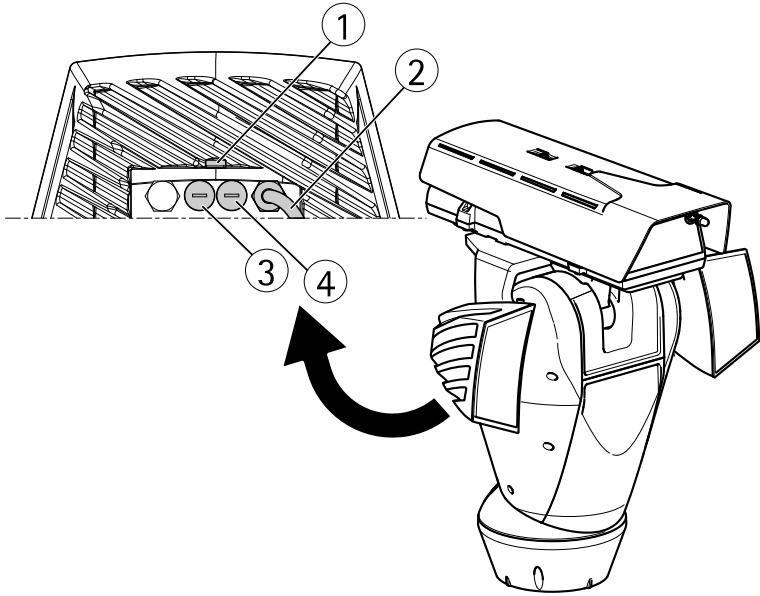


- 1 RS485/RS422 connector
- 2 Power connector
- 3 Network connector
- 4 Status indicator LED
- 5 microSD memory card slot
- 6 Control button

IR Illuminator

Important

Do not change the position of the switch-on threshold regulator.

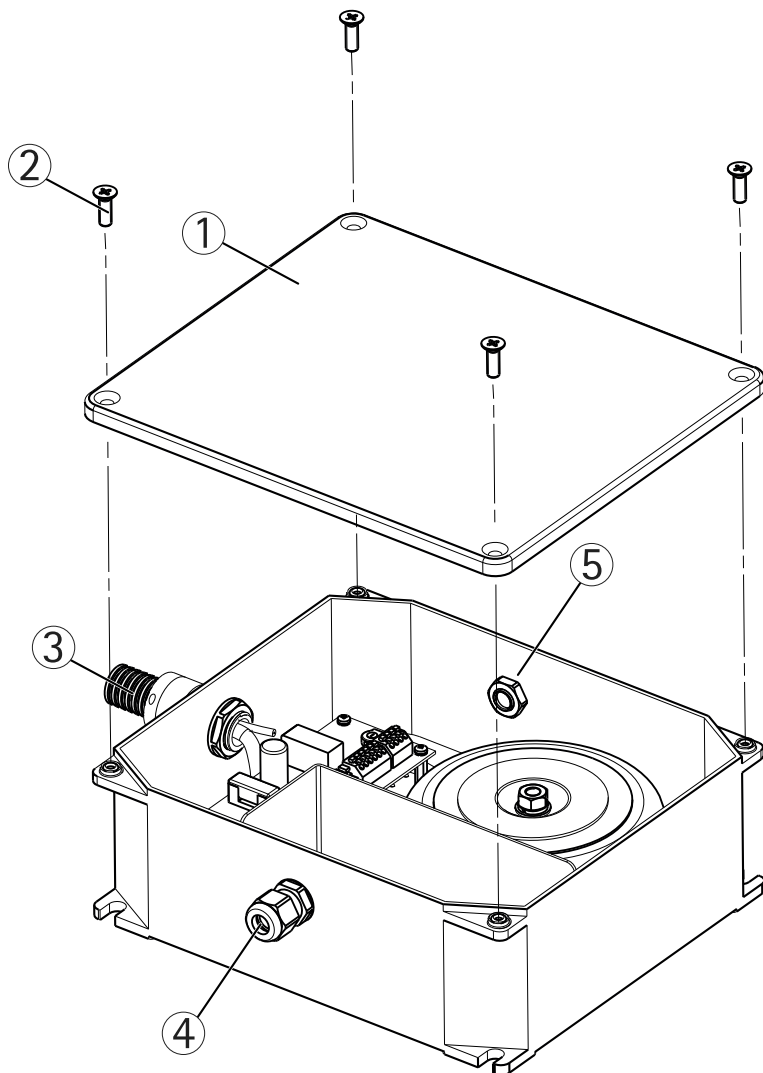


- 1 *Twilight sensor*
- 2 *Cable*
- 3 *Switch-on threshold regulator*
- 4 *Infrared power control*

Light Sensor Box

The light sensor box is not valid for AXIS Q8665-LE 24 V AC.

AXIS Q8665-LE PTZ Network Camera



- 1 Lid
- 2 Screw (4x)
- 3 Conduit (including power, ground and signal cables)
- 4 Cable gland (incoming mains power)
- 5 Day/night sensor

Connectors and Buttons

For specifications and operating conditions, see *page 18*.

Network Connector

RJ45 Ethernet connector.

NOTICE

The product shall be connected using a shielded network cable (STP). All cables connecting the product to the network shall be intended for their specific use. Make sure that the network devices are installed in accordance with the manufacturer's instructions. For information about regulatory requirements, see *Electromagnetic Compatibility (EMC) on page 2*.

Control Button

For location of the control button, see *Hardware Overview on page 11*.

The control button is used for:

- Resetting the product to factory default settings. See *page 37*.
- Connecting to an AXIS Video Hosting System service or AXIS Internet Dynamic DNS Service. For more information about these services, see the User Manual.

SD Card Slot

NOTICE

- Risk of damage to SD card. Do not use sharp tools or excessive force when inserting or removing the SD card.
- Risk of data loss. To prevent data corruption, the SD card should be unmounted before removal. To unmount, go to **Setup > System Options > Storage > SD Card** and click **Unmount**.

This product supports microSD/microSDHC/microSDXC card (not included).

For SD card recommendations, see www.axis.com

AXIS Q8665–LE PTZ Network Camera

Specifications

Operating Conditions

Product	Classification	Temperature	Humidity
AXIS Q8665–LE	IEC/EN/UL 60529 IP66. NEMA 250 Type 4X	-40 °C to 55 °C (-40 °F to 131 °F)	15 to 100% RH (condensing)

De-icing

The product's automatic de-icing process starts when the product is switched on and the air temperature is below 0 °C (32 °F). The de-icing process ensures that the product works properly even at low temperatures. The de-icing period lasts for a maximum of 90 minutes. During this period the camera is turned off.

Power

Power Consumption	IR active	IR inactive
AXIS Q8665–LE	Max: 113 W Typical: 94 W	Max: 55 W Typical: 40 W

Unit	Input Voltage
Base Unit	24 V AC, 8 A
Light Sensor Box	100 V AC, 200 W 120 V AC, 200 W 230 V AC, 200 W

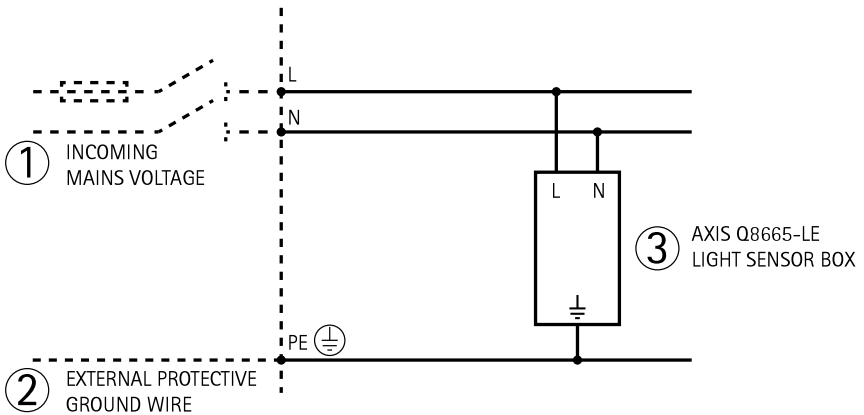
Important

- To reduce the risk of fire, use UL-listed or CSA-certified telecommunication line cord.
- To maintain the IP rating of the light sensor box, the external diameter of the cables must be 7 mm. The power supply cable between the pan/tilt unit and the light sensor box cannot be longer than 10 m (33 ft.).

Power Cable	Variant	Number of wires	Cable area
Mains supply cable	24 V AC		
Mains supply cable for light sensor box	100 V AC 120 V AC 230 V AC	3 (L, N, PE)	From 3.3 mm ² (AWG 12) to 2.1 mm ² (AWG 14)

Light Sensor Box

Connection Diagram



IR Illuminator Specification

Note

The distances and the performance depend on scene and the environmental light conditions.

Horizontal and vertical beam patterns	Maximum distance (850 nm)
60°	Up to 150 m (490 ft.)

To light up the scene adequately, adjust the angle of the illuminators according to the camera's field of view, see *Install the IR Illuminators on page 29*.

Install the Hardware

Light Sensor Box

Connect the Cables

Instructions not valid for AXIS Q8665–LE 24 V AC.

▲WARNING

- The electrical connections and conduit installations shall be made by a certified electrician and in compliance with local regulations.
- Risk of electric shock. The product shall be grounded using a grounding wire. Make sure both ends of the grounding wire are in contact with their respective grounding surfaces.
- The mains supply shall be disconnected during installation.

NOTICE

The power supply specified with the product shall be used. Using any other power supply will void the warranty and could leave the unit at a risk.

Note

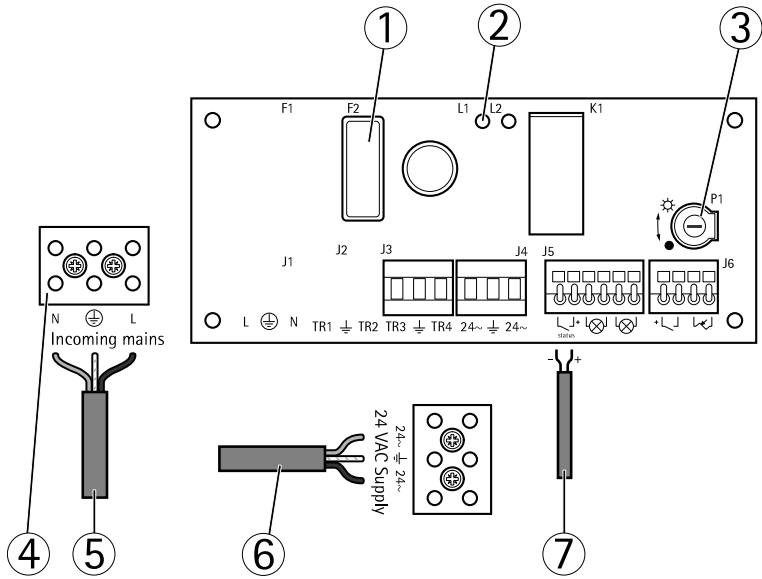
- The ground wire should be about 10 mm longer than the other two wires, to prevent accidental disconnection.
- If using the day/night sensor, place the light sensor box so that the day/night sensor can track the changes in daylight.

1. Remove the lid and open the light sensor box, see the hardware overview on *page 15*.

Note

To make the installation easier, it is possible to remove the connector block and re-mount it when the wires are connected.

2. Connect the mains supply wires to the mains supply connector block.



- 1 Fuse holder and fuse (T8A L 250 V)
- 2 Fuse LED
- 3 Potentiometer P1
- 4 Mains supply block connector
- 5 Mains supply cable
- 6 Pan/tilt unit power supply cable (24 V AC) (pre-mounted)
- 7 Signal cable (pre-mounted)

3. Tighten the cable gland cap on firmly.
4. If needed, adjust the potentiometer P1 to increase or decrease the sensitivity of the day/night sensor, see *Adjust the Day/Night Sensor on page 21*.
5. Close the light sensor box and tighten the screws.

Adjust the Day/Night Sensor

Note

The camera's built-in day/night sensor is activated per default. To use the day/night sensor on the light sensor box it must be activated from the product's settings page.

If using the day/night sensor on the light sensor box, adjust the potentiometer to suit the specific conditions on site.

AXIS Q8665-LE PTZ Network Camera

- Turn the potentiometer clockwise to increase the threshold and advance the switch to night mode.
- Turn the potentiometer counterclockwise to decrease the threshold and delay the switch to night mode. Night mode is indicated by a red LED on the board. The switch to night mode will activate the illuminators.

Install the Bracket (sold separately)

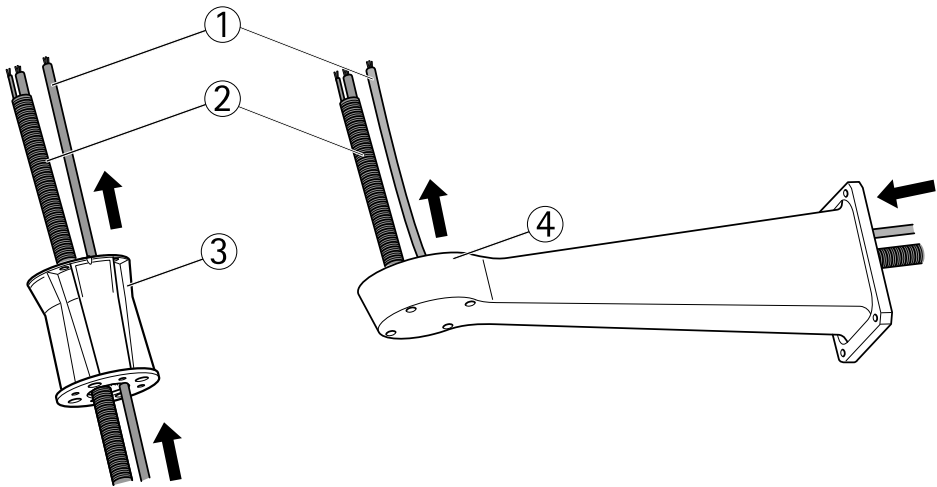
The brackets are sold separately. See www.axis.com for information on available mounting accessories.

⚠WARNING

Risk of injury. Make sure the product is secured to the building surface before operation.

Important

- When attaching the bracket to a concrete surface, use dowel pins with a traction torque rating of ≤ 300 dN.
 - When attaching the bracket to a metal surface, use screws with a diameter of 8 mm.
1. Prepare a wall, parapet or pole for installing the selected bracket.
 2. Route the network and conduit cable through the bracket. Leave a cable slack of 50 cm (12 in) for connection to the base unit.



- 1 Network cable
- 2 Conduit cable with power and signal cables

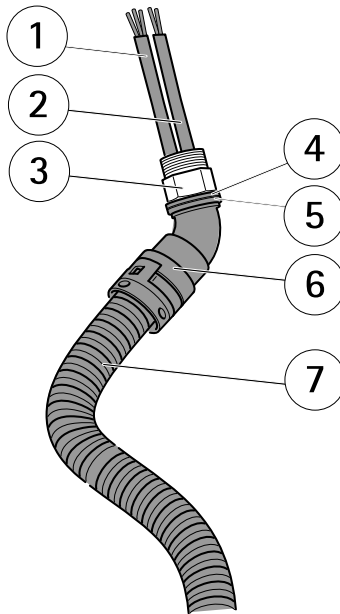
- 3 *Column bracket*
- 4 *Wall bracket*

Attach the Base Unit to the Bracket

⚠WARNING

The electrical connections and conduit installations shall be made by a certified electrician and in compliance with local regulations.

1. Remove the desiccant bag, which is placed in the base unit.
2. Attach the conduit to the conduit cable.
3. Attach two washers and the nut to the conduit.

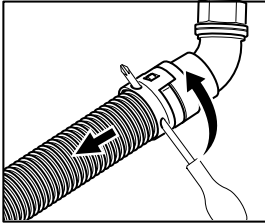


- 1 *Power cable*
- 2 *Signal cable*
- 3 *Fixing nut*
- 4 *Washer*
- 5 *Washer*
- 6 *Conduit*
- 7 *Conduit cable*

AXIS Q8665-LE PTZ Network Camera

Note

To release the conduit from the conduit cable, insert a screwdriver and turn the conduit while pulling the conduit.

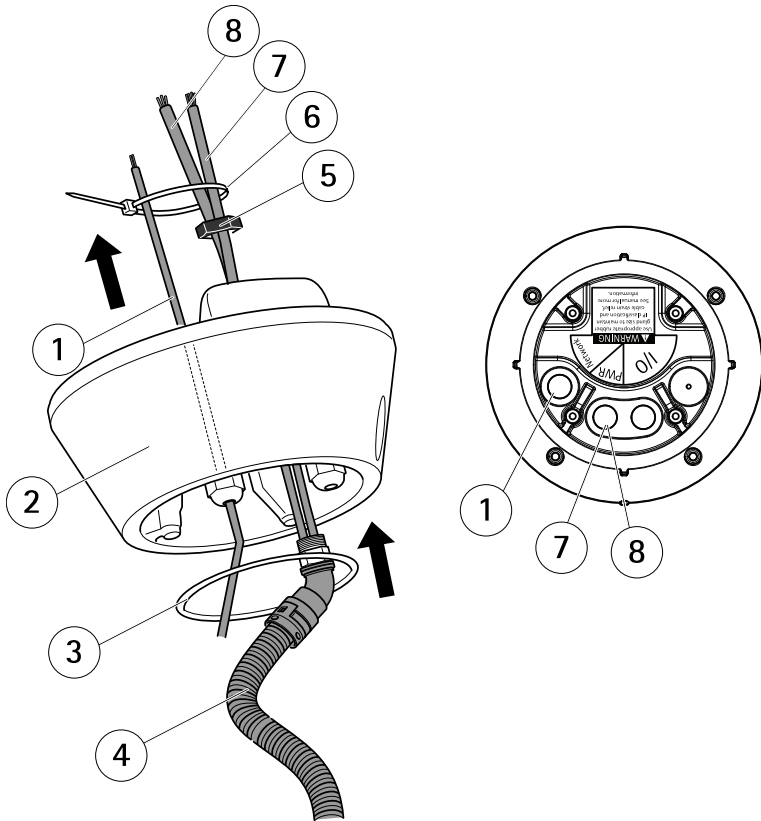


4. Make sure the seal is in position.
5. Route the power and signal cables through the cable gland shown in the illustration.
6. Attach the fixing nut to the conduit.
7. Route the network cable through the cable gland shown in the illustration.

NOTICE

To maintain the product's IP rating and reduce cable strain, make sure to tighten the cable glands.

8. To prevent the cables from slipping out, tighten the cable glands after the cables have been routed through.
9. Attach a cable tie to secure the cables.



- 1 Network cable
- 2 Base unit
- 3 Seal
- 4 Conduit cable
- 5 Fixing nut
- 6 Cable tie
- 7 Signal cable
- 8 Power cable

Important

The dip switches in the base unit are configured with the correct PTZ protocol in the factory and must not be changed.

10. Connect the illuminator signal cable to the connector (ALARMS and 1) on the base unit.

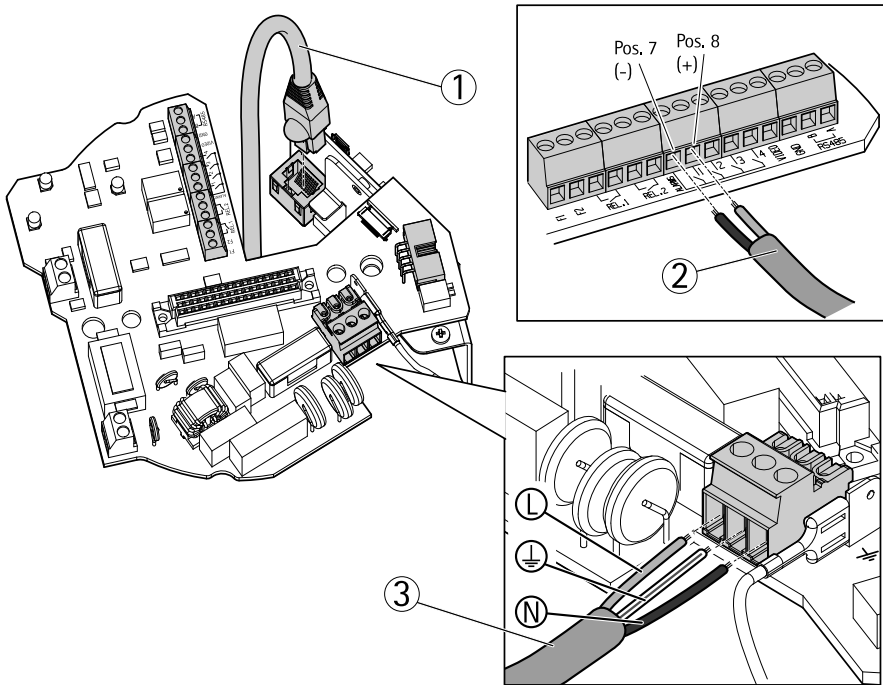
AXIS Q8665-LE PTZ Network Camera

- Using a RJ45 crimp tool, strip and crimp the network cable according to the manufacturer's instructions.
- Connect the network cable to the network connector on the base unit.

Note

To make the installation easier, it is possible to remove the power connector block from the circuit board and mount it when the cables are correctly connected.

- Connect the power cable to the power connector on the base unit. Make sure the green/yellow ground wire is connected to the middle pin.

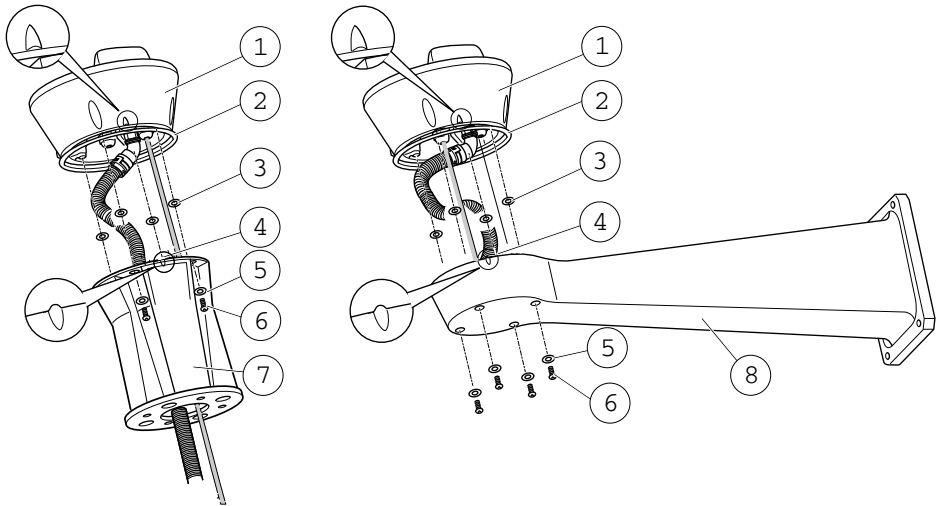


- 1 Network cable
- 2 Signal cables
- 3 Power cables

Note

The base unit can be attached to the bracket in four different positions.

14. Use the alignment indicators to find a suitable position that allows access to the configuration board, which can be opened for easy access to the network connector during for example troubleshooting.
15. If there is cable slack after the cables have been connected, loosen the cable glands, remove the slack and attach the cable glands again.
16. Attach the base unit to the bracket using the screws and the washers.
17. Apply Loctite® 243 threadlocker on the screws and tighten the screws (torque 4 Nm).



- 1 Base unit
- 2 Seal
- 3 Washer (4x)
- 4 Alignment indicator
- 5 Washer (4x)
- 6 Screw (4x)
- 7 Column bracket
- 8 Wall bracket

Attach the Pan/Tilt Unit to the Base Unit

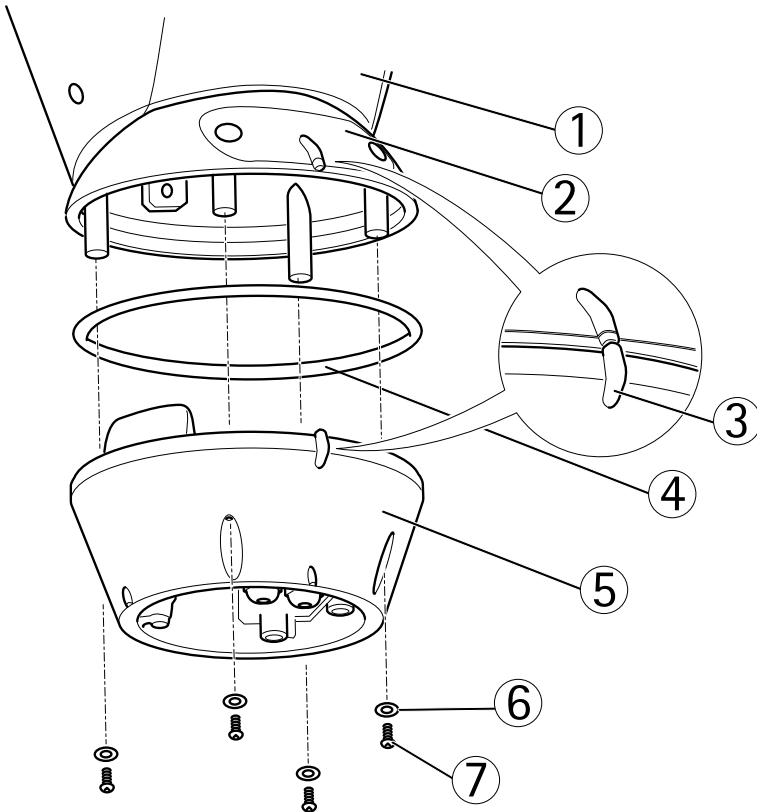
NOTICE

Use the alignment indicators to align the units. Incorrect alignment could cause damage to components.

AXIS Q8665-LE PTZ Network Camera

Important

- Assemble the product in an upright position. Do not install the product upside down.
 - Make sure to connect the pan/tilt unit straight from above as shown in the illustration. Do not tilt it onto the base unit.
1. Make sure the seal is in position.
 2. Tilt the camera housing back.
 3. Attach the pan/tilt unit to the base unit and tighten the screws (torque 4 Nm) using the supplied allen key.



- 1 Pan/tilt unit
- 2 Configuration board lid
- 3 Alignment indicators
- 4 Seal

- 5 Base
- 6 Washer (4x)
- 7 Screw (4x)

4. The mechanical installation is complete. To access the camera unit, see section *Access the Product on page 34*. See also the product's user manual for information on how to access the video stream.

Install the IR Illuminators

▲WARNING

- Emission of infrared light (risk group 2) which can be harmful for eyes. Pay attention to the provided indications. Avoid prolonged eye exposure or use appropriate shielding or eye protection.
- Risk of electric shock. Make sure the power supply is disconnected.

▲CAUTION

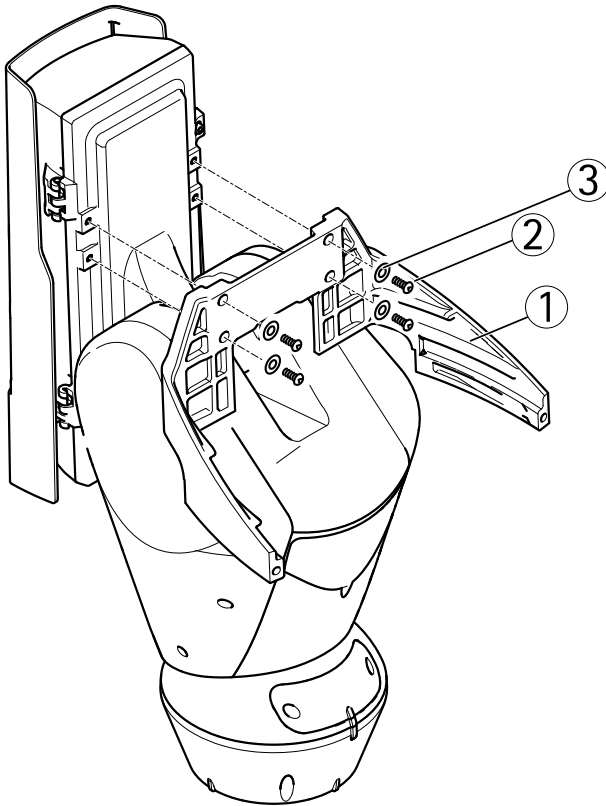
During normal operation, the surface of the illuminator can reach high temperatures. Do not allow direct contact and position the appliance where it is inaccessible to unauthorized personnel. Before touching, switch off the illuminator and allow to cool for a minimum period of 10 minutes.

Important

To work properly both illuminators must be installed together.

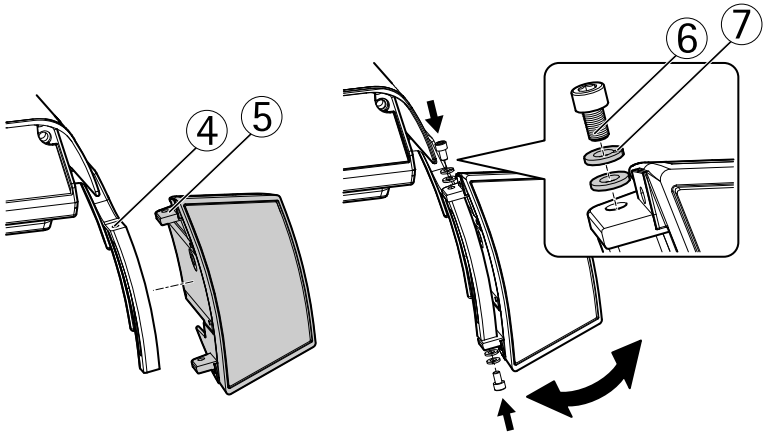
1. Position the bracket on the bottom of the housing.
2. Install the screws and the washers in the holes and tighten them (torque 4 Nm). Make sure the bracket is fastened firmly.

AXIS Q8665-LE PTZ Network Camera



- 1 Bracket
- 2 Screw
- 3 Washer

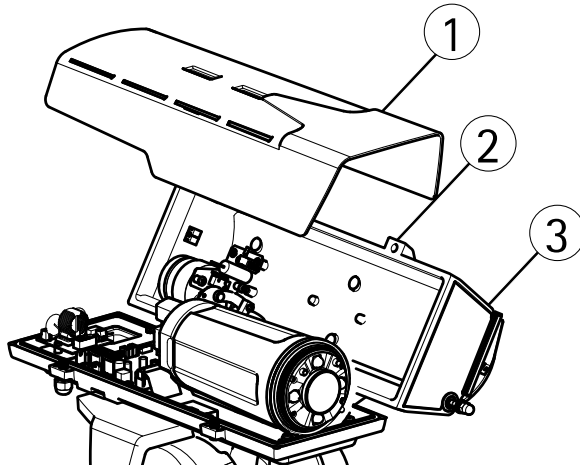
3. Slide the illuminator onto the upper and lower bracket fixings.
4. Adjust the angle of the illuminators to suit the environment.
5. Attach the screws and washers (torque 6 Nm).



- 4 Bracket fixing
- 5 Illuminator fixing
- 6 Screw
- 7 Washers

Connect the IR Illuminators

1. Remove the two screws and remove the top cover of the housing.



- 1 Sunshield
- 2 Screw

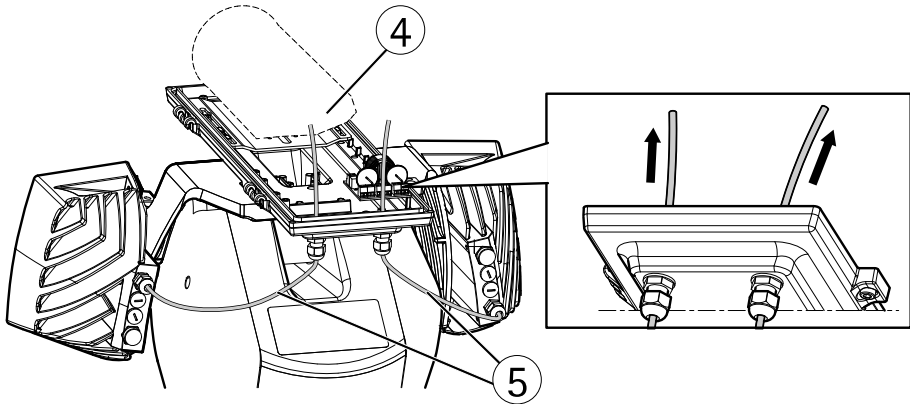
AXIS Q8665-LE PTZ Network Camera

3 Top cover

Important

To ensure safety and correct operation of the unit, do not leave a surplus of the cables externally.

2. Thread the cables through the housing. Leave a cable slack of 25 cm (10 in).



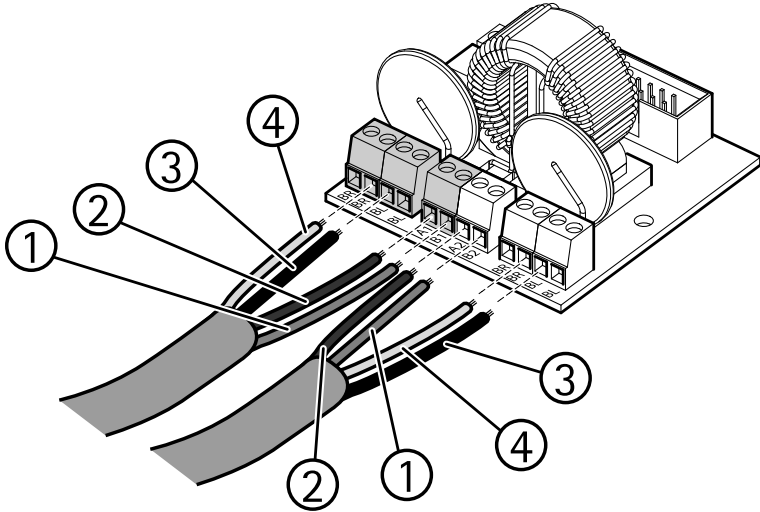
- 4 Top cover
- 5 Cables

3. Connect the cables as shown in the illustration.

Note

Be careful not to squeeze any of the cables when closing the housing.

4. Close the housing and attach the two screws.



See the table for cable positions.

Position in illustration	Left illuminator		Right illuminator	
	Reference on the board	Cable color	Reference on the board	Cable color
4	WH	White or Yellow	WH	White or Yellow
3	BK	Black	BK	Black
2	A1	Green or Blue	A2	Green or Blue
1	B1	Red	B2	Red

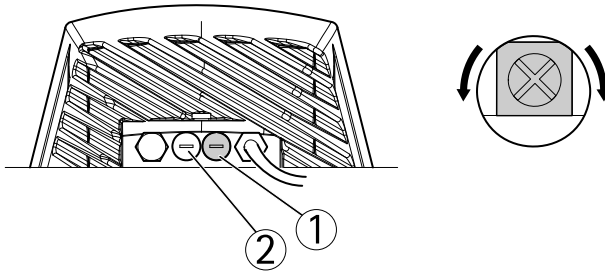
Adjust the IR Illuminator Power

Important

Do not change the position of the switch-on threshold regulator.

- To adjust the power of the IR illuminator, loosen the hermetic plug.
 - Adjust the IR power control **clockwise** to increase the power.
 - Adjust the IR power control **counter-clockwise** to decrease the power.

AXIS Q8665-LE PTZ Network Camera



- 1 IR power control
- 2 Switch-on threshold regulator

Access the Product

Use the tools provided on the Installation and Management Software CD to assign an IP address, set the password and access the video stream. This information is also available from the support pages on www.axis.com/techsup/

Pan Tilt Zoom

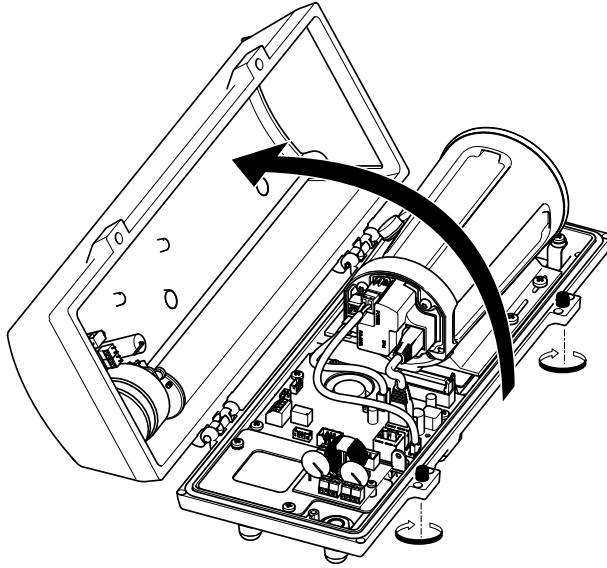
▲CAUTION

Hazardous moving parts. Keep fingers and other body parts away from the product during operation.

The PTZ functionality is controlled through the network camera. The PTZ controls will be available from the Live View page in the network camera's web pages after enabling the PTZ functionality. See the User Manual, available at www.axis.com

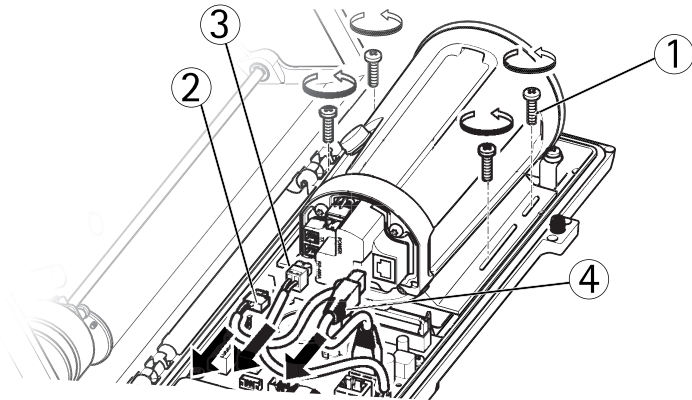
Access the Camera Unit

To access the camera unit for mounting the SD card or resetting the camera to factory default settings, remove the two screws and open the top cover.



Mount SD Card

1. Remove the power cable, the network cable and the RX/TX cable.
2. Remove the four screws.

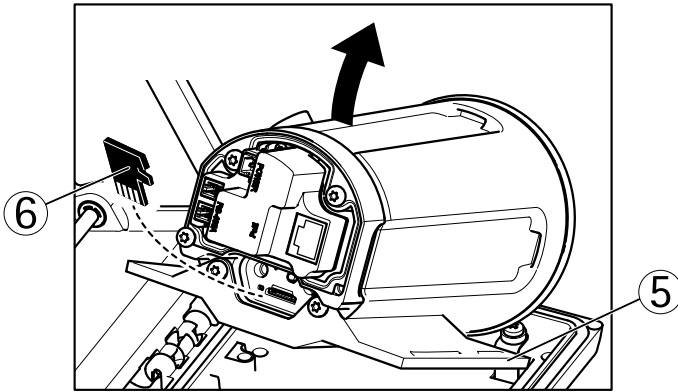


- 1 Screw
- 2 Power cable
- 3 RX/TX cable

AXIS Q8665-LE PTZ Network Camera

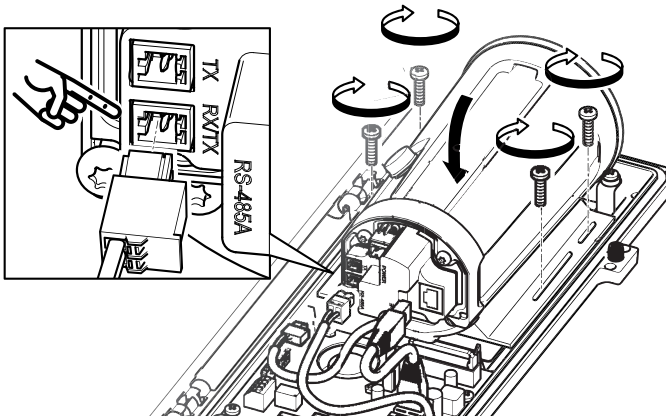
4 Network cable

3. Lift the camera including the bracket and insert the SD card.



- 5 Bracket
- 6 SD card

4. Attach the cables and attach the four screws.



Reset to Factory Default Settings

Important

Reset to factory default should be used with caution. A reset to factory default will reset all settings, including the IP address, to the factory default values.

Note

The installation and management software tools are available on the CD supplied with the product and from the support pages on www.axis.com/techsup

To reset the product to the factory default settings:

1. Disconnect power from the product.
2. Press and hold the control button and reconnect power. See *Hardware Overview on page 11*.
3. Keep the control button pressed for about 15–30 seconds until the status LED indicator flashes amber.
4. Release the control button. The process is complete when the status LED indicator turns green. The product has been reset to the factory default settings. If no DHCP server is available on the network, the default IP address is 192.168.0.90
5. Using the installation and management software tools, assign an IP address, set the password, and access the video stream.

It is also possible to reset parameters to factory default via the web interface. Go to **Setup > System Options > Maintenance**.

Change the Fuse in the Light Sensor Box

▲DANGER

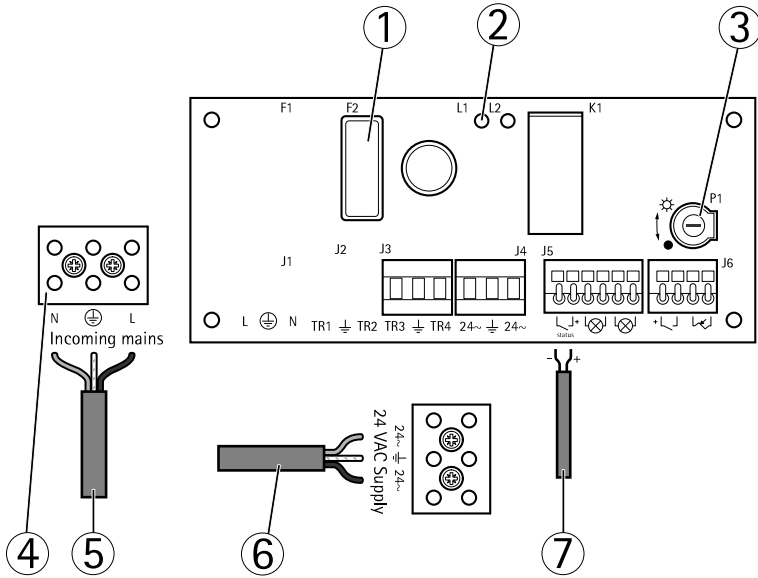
Risk of electric shock. Disconnect power supply to the equipment prior to working inside panel.

▲CAUTION

- The electrical connections and conduit installations shall be made by a certified electrician and in compliance with local regulations.
 - Risk of fire. For continued protection against risk of fire, the fuses must be replaced with the same type and rating.
1. Disconnect the power supply.
 2. Open the lid to the light sensor box by removing the screws.
 3. Check the fuse by using a multimeter.
 - If the fuse is intact, continue to *Change the Fuses in the Base Unit on page 38*.

AXIS Q8665-LE PTZ Network Camera

- If the fuse is blown, change the fuse. See the table below.
4. Attach the lid on the light sensor box.



- 1 Fuse holder and fuse
- 2 Fuse LED
- 3 Potentiometer P1
- 4 Mains supply block connector
- 5 Mains supply cable
- 6 Pan/tilt unit power supply cable (24 V AC) (pre-mounted)
- 7 Signal cable (pre-mounted)

Fuse Specification	
Voltage	Fuse
100/120/230 V AC	T8A L 250 V

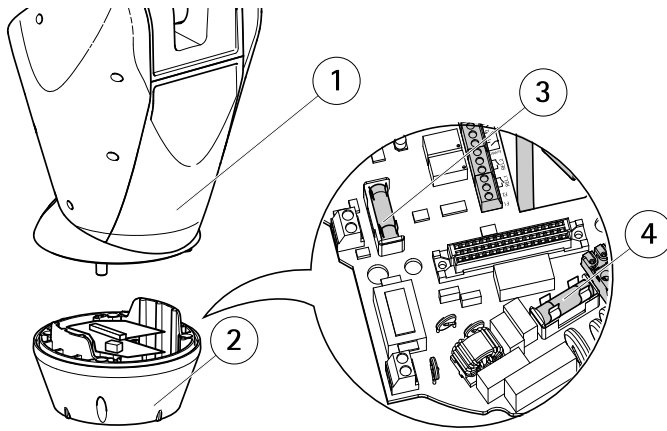
Change the Fuses in the Base Unit

▲DANGER

Risk of electric shock. Turn off power supply to equipment prior to working inside base unit.

⚠ CAUTION

- The electrical connections and conduit installations shall be made by a certified electrician and in compliance with local regulations.
 - Risk of fire. For continued protection against risk of fire, the fuses must be replaced with the same type and rating.
1. Separate the pan/tilt unit from the base unit by removing the four screws, see section *Hardware Overview*.
 2. Check the fuses by using a multimeter. If the fuses are blown, change the fuses. See the table below.



- 1 Pan/tilt unit
- 2 Base unit
- 3 Fuse F1
- 4 Fuse F2

Fuse Specification		
Voltage	Fuse F1 5x20	Fuse F2 5x20
24/100 V AC 50/60 Hz	F 6.3 A 250 V	T 8 A 250 V
120 V AC 50/60 Hz	F 6.3 A 250 V	T 4 A 250 V
230 V A C 50/60 Hz	F 6.3 A 250 V	T 2 A 250 V

3. Attach the pan/tilt unit to the base unit.

AXIS Q8665–LE PTZ Network Camera

Further Information

The User Manual is available at www.axis.com

Visit www.axis.com/techsup to check if there is updated firmware available for your network product. To see the currently installed firmware version, go to **Setup > About**.

Visit Axis learning center www.axis.com/academy for useful trainings, webinars, tutorials and guides.

Warranty Information

For information about Axis' product warranty and thereto related information, see www.axis.com/warranty/

Informations sur la sécurité

Lisez attentivement ce guide d'installation avant d'installer l'appareil. Conservez le guide d'installation pour toute référence ultérieure.

Niveaux de risques

▲DANGER

Indique une situation dangereuse qui, si elle n'est pas évitée, entraînera le décès ou des blessures graves.

▲AVERTISSEMENT

Indique une situation dangereuse qui, si elle n'est pas évitée, pourrait entraîner le décès ou des blessures graves.

▲ATTENTION

Indique une situation dangereuse qui, si elle n'est pas évitée, pourrait entraîner des blessures légères ou modérées.

AVIS

Indique une situation qui, si elle n'est pas évitée, pourrait endommager l'appareil.

Autres niveaux de message

Important

Indique les informations importantes, nécessaires pour assurer le bon fonctionnement de l'appareil.

Note

Indique les informations utiles qui permettront d'obtenir le fonctionnement optimal de l'appareil.

Consignes de sécurité

⚠ AVERTISSEMENT

- Le produit Axis doit être installé par un professionnel habilité.

⚠ ATTENTION

- Risque de blessure. Le produit doit être installé de façon à être accessible uniquement à un personnel autorisé en raison des pièces en mouvement pendant le fonctionnement.
- Le Boîtier du capteur de lumière livré avec cet appareil (non valide pour la version 24 V CA) doit être installé dans un Emplacement à Accès Restreint.

AVIS

- Le produit Axis doit être utilisé conformément aux lois et réglementations locales en vigueur.
- Conserver ce produit Axis dans un environnement sec et ventilé.
- Ne pas exposer ce produit Axis aux chocs ou aux fortes pressions.
- Ne pas installer ce produit sur des supports, surfaces ou murs instables.
- Utiliser uniquement des outils recommandés pour l'installation de l'appareil Axis. L'application d'une force excessive sur l'appareil avec des outils puissants pourrait l'endommager.
- Ne pas utiliser de produits chimiques, de substances caustiques ou de nettoyeurs pressurisés.
- Utiliser un chiffon propre imbibé d'eau pure pour le nettoyage.
- Utiliser uniquement des accessoires conformes aux caractéristiques techniques du produit. Ils peuvent être fournis par Axis ou un tiers.
- Utiliser uniquement les pièces de rechange fournies ou recommandées par Axis.
- Ne pas essayer de réparer ce produit par vous-même. Contacter l'assistance technique d'Axis ou votre revendeur Axis pour des problèmes liés à l'entretien.
- Un dispositif de déconnexion accessible aisément et rapidement doit être intégré au système électrique du bâtiment pour une intervention rapide.
- Il s'agit d'un équipement connecté en permanence (connecté en série). La protection contre les courts-circuits et les surintensités est fournie par les installations du bâtiment et sera limitée à 20 A maxi.

Transport

AVIS

- Lors du transport du produit Axis, utilisez l'emballage d'origine ou un équivalent pour éviter d'endommager le produit.

Batterie

Le produit Axis utilise une batterie au lithium BR/CR2032 3,0 V comme alimentation de son horloge en temps réel interne (RTC). Dans des conditions normales, cette batterie a une durée de vie minimale de cinq ans.

Si la batterie est faible, le fonctionnement de l'horloge en temps réel peut être affecté et entraîner sa réinitialisation à chaque mise sous tension. Un message enregistré apparaît dans le rapport de serveur du produit lorsque la batterie doit être remplacée. Pour tout complément d'information concernant le rapport de serveur, reportez-vous aux pages de Configuration du produit ou contactez l'assistance technique d'Axis.

La batterie doit être remplacée uniquement en cas de besoin, et pour ce faire, contactez l'assistance technique d'Axis à l'adresse www.axis.com/techsup et obtenir de l'aide.

▲AVERTISSEMENT

- Risque d'explosion si la batterie est remplacée de façon incorrecte.
- Remplacez-la uniquement par une batterie identique ou une batterie recommandée par Axis.
- Mettez au rebut les batteries usagées conformément aux réglementations locales ou aux instructions du fabricant de la batterie.

Guide d'installation

Ce guide d'installation explique comment installer la caméra réseau AXIS Q8665–LE PTZ sur votre réseau. Pour toute autre information relative à l'utilisation du produit, consultez le manuel de l'utilisateur disponible sur le site www.axis.com

Variantes du produit

Produit	Variante du produit
AXIS Q8665–LE	24 V CA
	100 V CA
	120 V CA
	230 V CA

Procédures d'installation

1. Assurez-vous que le contenu de l'emballage, les outils et autres matériels nécessaires à l'installation sont bien disponibles. Cf. *page 45*.
2. Consultez la description du matériel. Cf. *page 47*.
3. Étudiez les caractéristiques. Cf. *page 54*.
4. Installez le matériel. Cf. *page 56*.
5. Accédez au produit. Cf. *page 71*.

Contenu de l'emballage

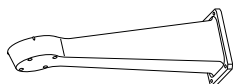
- AXIS Q8665–LE
 - Caméra réseau PTZ
 - Unité de base
 - Pare-soleil
- Kit d'éclairage infrarouge
 - 2 illuminateurs
 - Support
 - Vis
- Boîtier du capteur de lumière préinstallé avec câbles d'alimentation et de signal de 10 m pour connexion à l'unité principale (protégée par tube)
(Non valide pour la variante AXIS Q8665–LE 24 V AC.)
- Matériel auxiliaire pour installation

AXIS Q8665-LE PTZ Network Camera

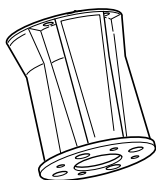
- CD d'installation et de gestion
- Documents imprimés
 - Guide d'installation (ce document)
 - Étiquette supplémentaire reprenant le numéro de série (2x)

Matériels requis (vendus séparément).

- Support mural K AXIS ou support colonne K AXIS

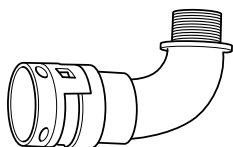


Support mural K AXIS

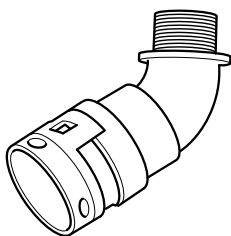


Support colonne K AXIS

- Tube mural ou tube de colonne



Tube mural



Tube de colonne

Accessoires en option

- Support d'angle AXIS T95A64
- Support colonne AXIS T95A67
- Rondelle AXIS Kit A
- Convertisseur de média AXIS T8604
- Adaptateur Ethernet sur câble coaxial avec PoE+ AXIS T8640

Pour plus d'informations sur les accessoires disponibles, consultez le site www.axis.com

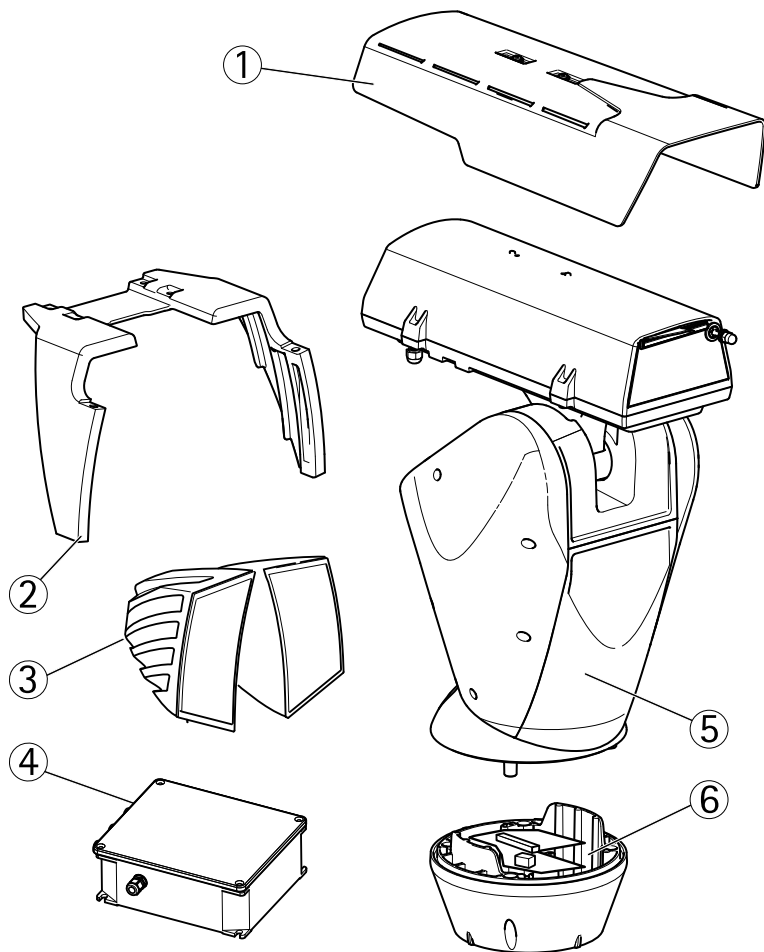
Outils recommandés

- Pince à sertir RJ45
- Ensemble à cliquet
- Perceuse pour percer des trous dans la surface de montage
- Frein filet Loctite® 243

Aperçu du matériel

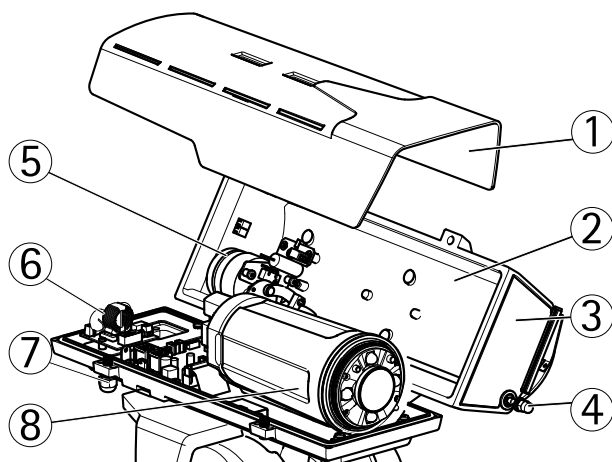
- Pour une présentation du boîtier, consultez *Boîtier page 49*
- Pour une présentation des boutons et des connecteurs sur la caméra, consultez *Caméra page 50*
- Pour une présentation de l'éclairage, consultez *page 50*
- Pour une présentation du boîtier du capteur de lumière, consultez *page 51*

AXIS Q8665-LE PTZ Network Camera



- 1 Pare-soleil
- 2 Support d'illuminateurs (2x)
- 3 Illuminateurs
- 4 Boîtier du capteur de lumière (non valide pour le modèle AXIS Q8665-LE 24 V AC.)
- 5 Caméra réseau PTZ
- 6 Unité de base

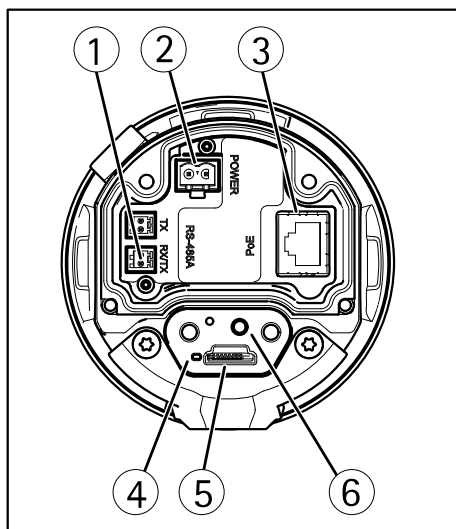
Boîtier



- 1 Pare-soleil
- 2 Couvercle supérieur
- 3 Fenêtre de protection
- 4 Essuyage
- 5 Moteur d'essuyage
- 6 Circuit imprimé illuminateur
- 7 Presse-étoupes d'illuminateur
- 8 Caméra

AXIS Q8665-LE PTZ Network Camera

Caméra

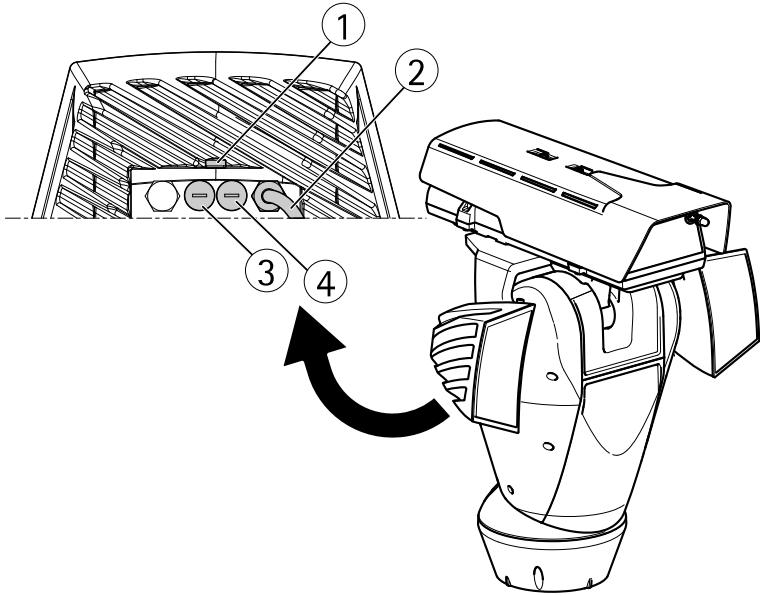


- 1 *Connecteur RS485/RS422*
- 2 *Connecteur d'alimentation*
- 3 *Connecteur réseau*
- 4 *Voyant d'état*
- 5 *Logement de carte microSD*
- 6 *Bouton de commande*

Éclairage infrarouge

Important

Ne modifiez pas la position du régulateur de seuil d'enclenchement.

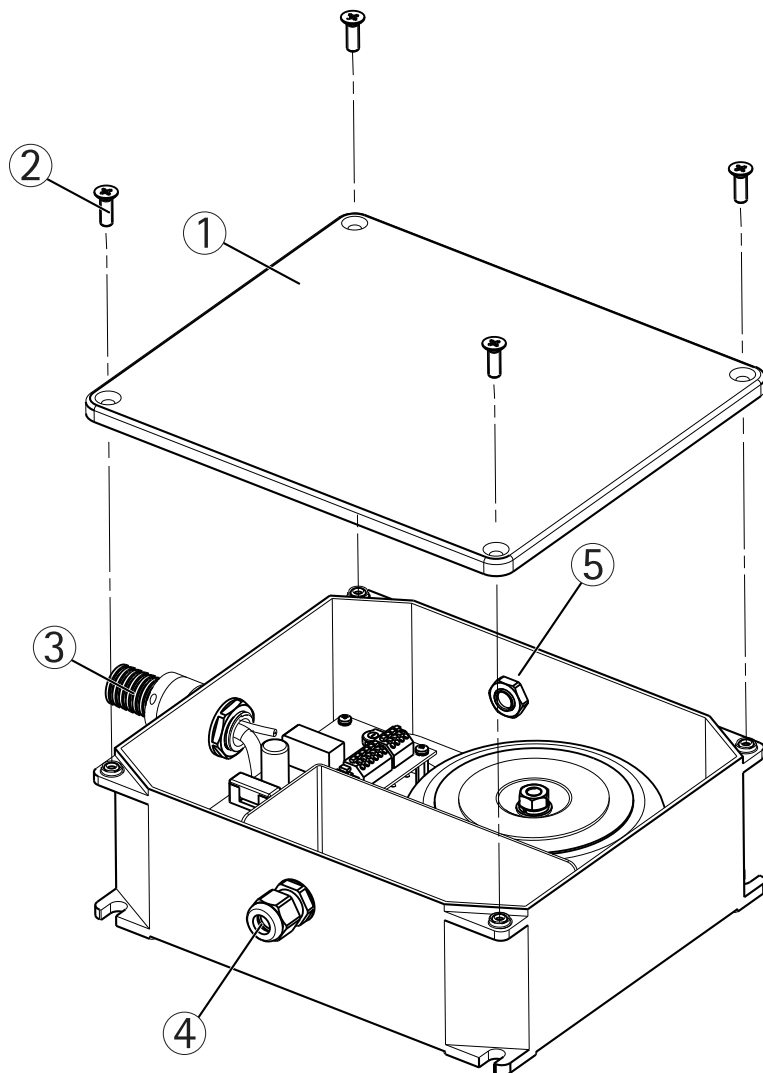


- 1 *Capteur crépusculaire*
- 2 *Câble*
- 3 *Régulateur de seuil de déclenchement*
- 4 *Commande de puissance infrarouge*

Boîtier du capteur de lumière

Le boîtier du capteur de lumière n'est pas valide pour le modèle AXIS Q8665-LE 24 V AC.

AXIS Q8665-LE PTZ Network Camera



- 1 Couverture
- 2 Vis (x4)
- 3 Tube (avec câbles d'alimentation, de mise à la terre et de signal)
- 4 Presse-étoupe (alimentation secteur d'entrée)
- 5 Capteur jour/nuit

Connecteurs et boutons

Pour les caractéristiques et les conditions d'utilisation, consultez *page 54*.

Connecteur réseau

Connecteur Ethernet RJ45.

AVIS

Le produit doit être connecté à l'aide d'un câble réseau blindé (STP). Tous les câbles reliant le produit au commutateur réseau doivent être destinés à leur usage spécifique. Assurez-vous que les périphériques réseau sont installés conformément aux instructions du fabricant. Pour plus d'informations sur les exigences réglementaires, consultez *Electromagnetic Compatibility (EMC) on page 2*.

Bouton de commande

Pour connaître l'emplacement du bouton de commande, consultez *Aperçu du matériel page 47*.

Le bouton de commande permet de réaliser les opérations suivantes :

- Réinitialisation du produit aux paramètres d'usine par défaut. Cf. *page 74*.
- Connexion au service du Système d'hébergement vidéo AXIS ou au service AXIS Internet Dynamic DNS. Pour plus d'informations sur ces services, reportez-vous au Manuel de l'utilisateur.

Emplacement pour carte SD

AVIS

- La carte SD risque d'être endommagée. Ne pas utiliser d'outils tranchants et ne pas forcer lors de l'insertion ou du retrait de la carte SD.
- Risque de perte de données. Pour éviter la corruption des données, la carte SD doit être démontée avant son retrait. Pour ce faire, rendez-vous dans **Setup > System Options > Storage > SD Card (Configuration > Options du système > Stockage > Carte SD)** et cliquez sur **Unmount (Démonter)**.

Cet appareil est compatible avec une carte microSD/microSDHC/microSDXC (carte non fournie).

Pour obtenir des conseils sur la carte SD, rendez-vous sur www.axis.com

Caractéristiques techniques

Conditions d'utilisation

Produit	Classification	Température	Humidité
AXIS Q8665-LE	IEC/EN/UL 60529 IP66. NEMA 250 Type 4X	-40 °C à 55 °C (-40 °F à 131 °F)	Humidité relative de 15 à 100 % (condensation)

Dégivrage

Le processus de dégivrage automatique du produit commence lorsque le produit est mis sous tension et que la température de l'air est inférieure à 0 °C (32 °F). Le processus de dégivrage assure que le produit fonctionne correctement même à basses températures. Le cycle de dégivrage dure au maximum 90 minutes. Pendant le dégivrage, la caméra est hors tension.

Alimentation

Consommation électrique	IR actif	IR inactif
AXIS Q8665-LE	Max : 113 W Standard : 94 W	Max : 55 W Standard : 40 W

Appareil	Tension d'entrée
Unité de base	24 V CA, 8 A
Boîtier du capteur de lumière	100 V CA, 200 W 120 V CA, 200 W 230 V CA, 200 W

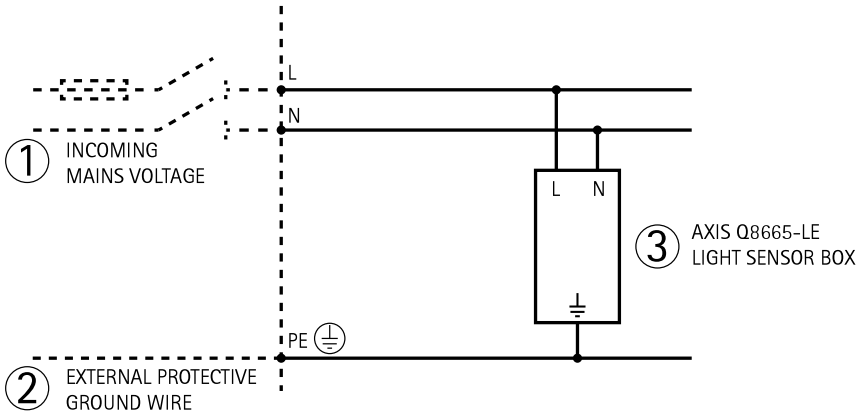
Important

- Pour réduire le risque d'incendie, utilisez un cordon téléphonique certifié CSA ou homologué UL.
- Pour maintenir la classification IP du boîtier du capteur de lumière, le diamètre externe des câbles doit être de 7 mm. La longueur du câble d'alimentation entre l'unité de panorama/inclinaison et le boîtier du capteur de lumière ne doit pas être supérieure à 10 m (33 pi).

Câble d'alimentation	Variante	Nombre de fils	Zone de câble
Câble d'alimentation secteur	24 V CA		
Câble d'alimentation secteur pour le boîtier du capteur de lumière	100 V CA 120 V CA 230 V CA	3 (L, N, PE)	De 3,3 mm ² (AWG 12) à 2,1 mm ² (AWG 14)

Boîtier du capteur de lumière

Schéma de connexion



Caractéristiques de l'éclairage IR

Note

Les distances et les performances dépendent de la scène et des conditions d'éclairage.

Faisceaux de lumière horizontaux et verticaux	Distance maximale (850 nm)
60°	Jusqu'à 150 m (490 pi)

Pour éclairer l'intégralité de la scène de façon adéquate, l'angle d'éclairage doit être ajusté conformément au champ de vision de la caméra. Voir *Installation de l'éclairage infrarouge* page 66.

Installation du matériel

Boîtier du capteur de lumière

Branchement des câbles

Instructions non valides pour le modèle AXIS Q8665–LE 24 V AC.

⚠️ AVERTISSEMENT

- Les branchements électriques et les installations de conduits doivent être réalisés par un électricien certifié et conformément à la réglementation locale.
- Risque de choc électrique. Le produit doit être mis à la terre à l'aide d'un câble de mise à la terre. Assurez-vous que les deux extrémités du câble de mise à la terre sont en contact avec les surfaces de mise à la terre correspondantes.
- L'alimentation secteur doit être débranchée pendant l'installation.

AVIS

Le bloc d'alimentation spécifié avec le produit doit être utilisé. L'utilisation de tout autre alimentation annule la garantie et peut exposer l'appareil à des risques.

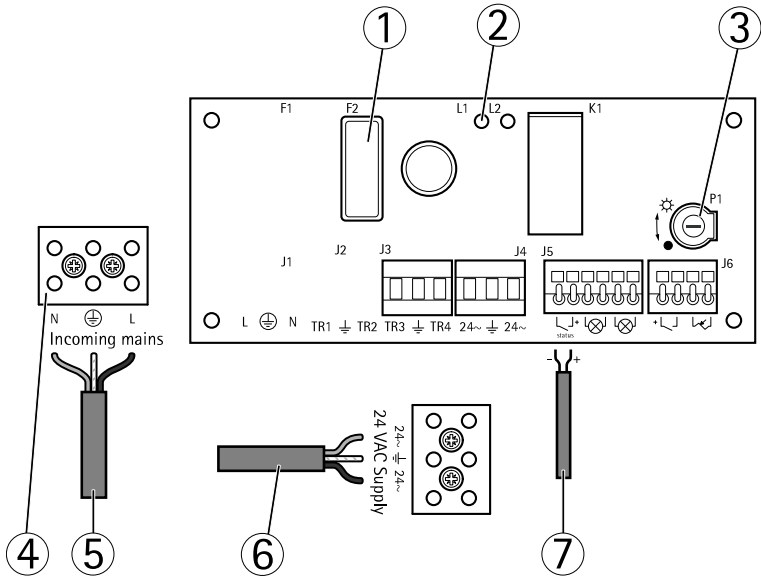
Note

- Pour éviter toute déconnexion intempestive, le fil de mise à la terre doit être plus long d'environ 10 mm que les deux autres fils.
 - Si vous utilisez le capteur jour/nuit, placez le boîtier du capteur de lumière de sorte que le capteur jour/nuit puisse suivre les changements de lumière du jour.
1. Retirez le couvercle et ouvrez le boîtier du capteur de lumière, reportez-vous à la vue d'ensemble du matériel sur *page 51*.

Note

Pour faciliter l'installation, il est possible de retirer le bloc connecteur d'alimentation de la carte et de le remonter lorsque les fils sont connectés.

2. Branchez les câbles d'alimentation secteur au bloc de connexion de l'alimentation secteur.



- 1 Porte-fusibles et fusible (T8A L 250 V)
- 2 Voyant du fusible
- 3 Potentiomètre P1
- 4 Bloc de connexion de l'alimentation secteur
- 5 Câble d'alimentation secteur
- 6 Câble d'alimentation de l'unité panoramique/inclinaison (24 V AC) (préinstallé)
- 7 Câble du signal (préinstallé)

- 3. Serrez le bouchons de presse-étoupe fermement.
- 4. Si besoin, ajustez le potentiomètre P1 pour augmenter ou diminuer la sensibilité du capteur jour/nuit. Voir *Réglage du capteur jour/nuit* page 57.
- 5. Fermez le boîtier du capteur de lumière et serrez les vis.

Réglage du capteur jour/nuit

Note

Le capteur jour/nuit de la caméra est activé par défaut. Pour utiliser le capteur jour/nuit sur le boîtier du capteur de lumière, il doit être activé à partir de la page des réglages du produit.

Si vous utilisez le capteur jour/nuit sur le boîtier du capteur de lumière, ajustez le potentiomètre pour vous adapter aux conditions spécifiques sur site.

- Tournez le potentiomètre vers la droite pour augmenter le seuil et avancez l'interrupteur en mode nuit.
- Tournez le potentiomètre vers la gauche pour diminuer le seuil et retardez l' interrupteur en mode nuit. Le mode nuit est indiqué par un voyant rouge sur le tableau. Le passage en mode nuit active les illuminateurs.

Installez le support (vendu séparément)

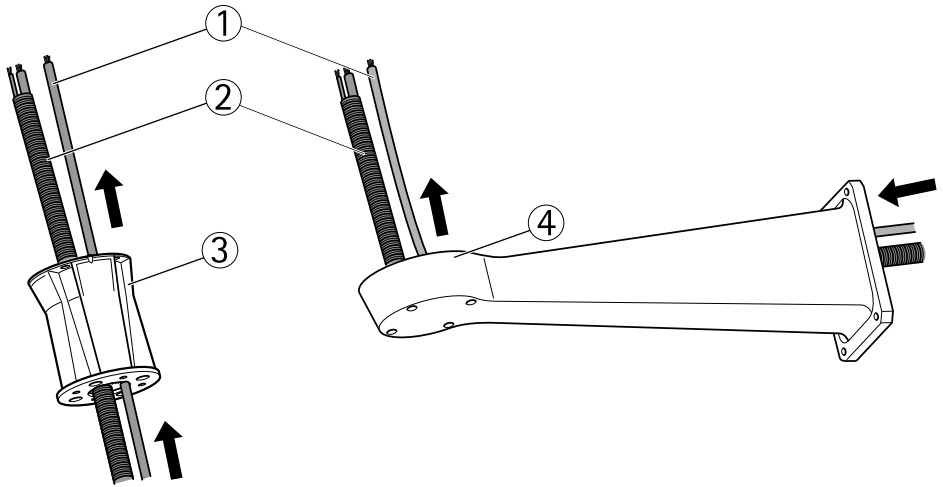
Les supports sont vendus séparément. Consultez le site www.axis.com pour plus d'informations sur les accessoires de montage disponibles.

⚠ AVERTISSEMENT

Risque de blessure. Vérifiez que le produit est bien fixé à la surface du bâtiment avant de le mettre en service.

Important

- Lorsque vous fixez le support sur une surface en béton, utilisez les goujons avec un couple nominal de traction de ≤ 300 dN.
 - Lorsque vous fixez le support sur une surface métallique, utilisez des vis d'un diamètre d'au moins 8 mm.
1. Préparez un mur, un parapet ou un mât pour installer le support sélectionné.
 2. Acheminez le câble réseau et tube à travers le support. Laissez une longueur de 50 cm (12 po) de câble pour la connexion à l'unité de base.



- 1 Câble réseau
- 2 Câble du tube avec câbles d'alimentation et de signal
- 3 Support colonne
- 4 Support mural

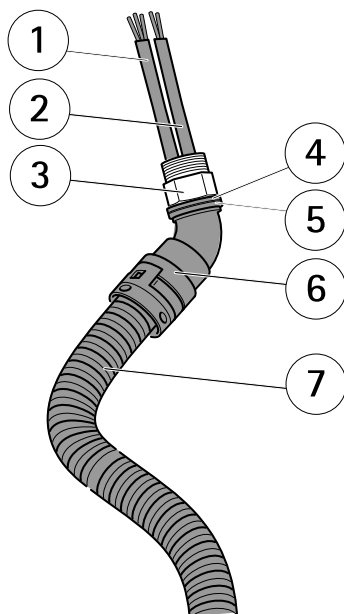
Fixation de l'unité de base au support

⚠ AVERTISSEMENT

Les branchements électriques et les installations de conduits doivent être réalisés par un électricien certifié et conformément à la réglementation locale.

1. Retirez le sachet déshydratant, qui est placé dans l'unité de base.
2. Fixez le tube au câble du tube.
3. Fixez deux rondelles et l'écrou au tube.

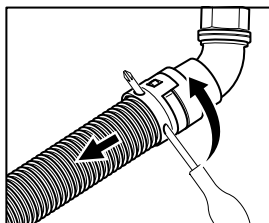
AXIS Q8665-LE PTZ Network Camera



- 1 Câble d'alimentation
- 2 Câble du signal
- 3 Écrou de fixation
- 4 Rondelle
- 5 Rondelle
- 6 Tube
- 7 Câble du tube

Note

Pour dégager le tube du câble du tube, insérez un tournevis et tournez le tube tout en tirant dessus.



4. Assurez-vous que le joint est en place.

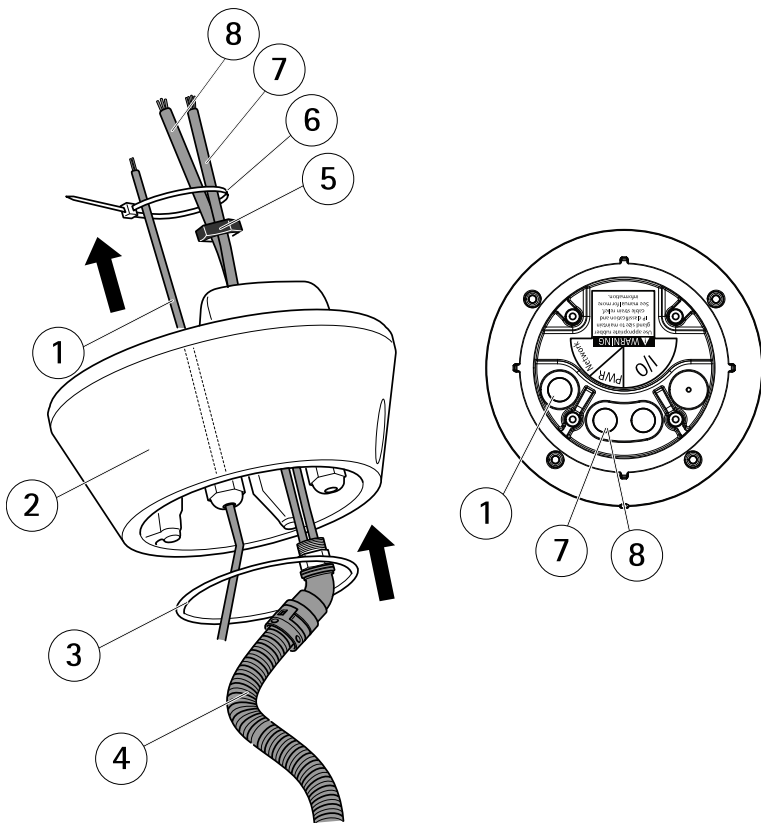
AXIS Q8665-LE PTZ Network Camera

5. Acheminez les câbles d'alimentation et du signal à travers le presse-étoupe indiqué dans l'illustration.
6. Fixez l'écrou de fixation au tube.
7. Acheminez le câble réseau à travers le presse-étoupe indiqué dans l'illustration.

AVIS

Afin de maintenir la classification des produits, il est important de serrer les presse-étoupes.

8. Pour éviter aux câbles de glisser, serrez les presse-étoupes après y avoir passé les câbles.
9. Fixez une frette de câbles pour joints les fixer.



- 1 Câble réseau
- 2 Unité de base
- 3 Joint
- 4 Câble du tube

FRANÇAIS

AXIS Q8665–LE PTZ Network Camera

- 5 *Écrou de fixation*
- 6 *Frette de câbles*
- 7 *Câble du signal*
- 8 *Câble d'alimentation*

Important

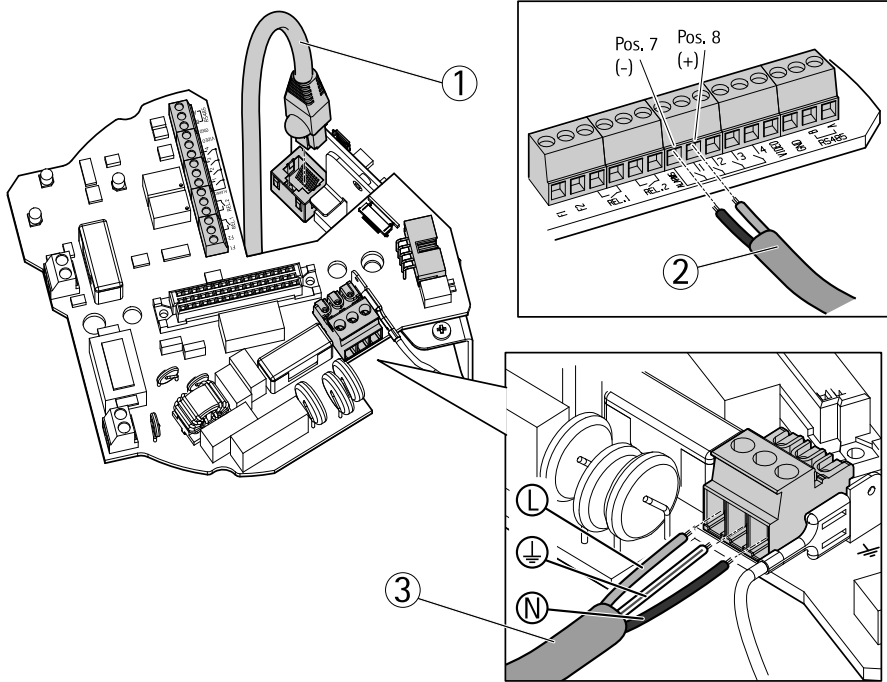
Les commutateurs DIP de l'unité de base sont configurés avec le bon protocole PTZ en usine et ne doivent pas être changés.

- 10. Raccordez le câble d'illuminateur au connecteur (ALARME et 1) sur l'unité de base.
- 11. A l'aide d'un outil de sertissage RJ45, dénudez et sertissez le câble réseau conformément aux instructions du fabricant.
- 12. Branchez le câble réseau au connecteur réseau de l'unité de base.

Note

Pour faciliter l'installation, il est possible de retirer le bloc connecteur d'alimentation de la carte et de le monter quand les câbles sont correctement connectés.

- 13. Branchez le câble d'alimentation au connecteur d'alimentation de l'unité de base. Assurez-vous que le fil de terre vert/jaune est connecté à la broche du milieu.



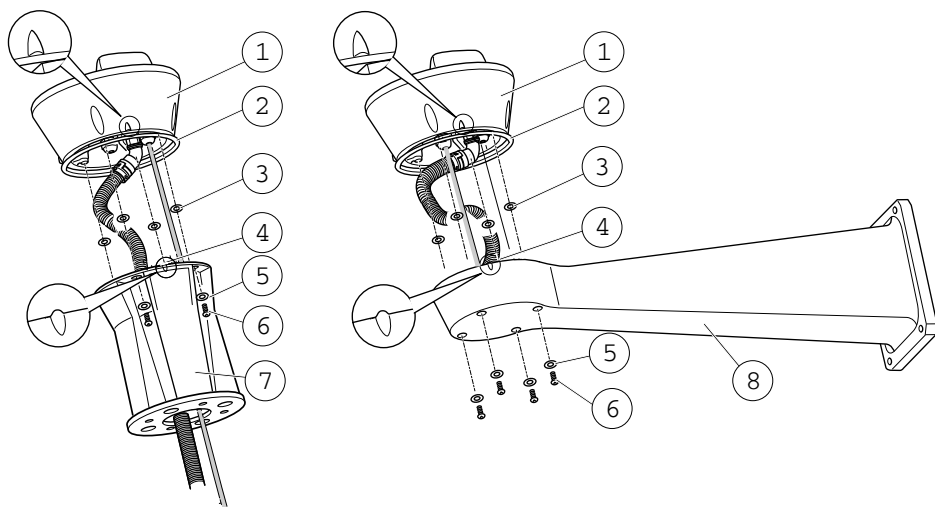
- 1 Câble réseau
- 2 Câbles du signal
- 3 Câbles d'alimentation

Note

L'unité de base peut être fixée sur le support en quatre positions différentes.

- 14. Utilisez les indicateurs d'alignement sur les différentes unités pour trouver une position appropriée qui permet d'accéder à la carte de configuration, qui peut être ouverte pour un accès facile au connecteur réseau, par exemple pour le dépannage.
- 15. Si du jeu persiste après raccordement des câbles, desserrez les presse-étoupes, supprimez le jeu, puis fixez de nouveau les presse-étoupes.
- 16. Fixez l'unité de base au support à l'aide des vis et des rondelles fournies.
- 17. Appliquez du frein filet Loctite® 243 sur les vis et serrez les vis (couple de serrage 4 Nm).

AXIS Q8665-LE PTZ Network Camera



- 1 Unité de base
- 2 Joint
- 3 Rondelle (x4)
- 4 Témoin d'alignement
- 5 Rondelle (x4)
- 6 Vis (x4)
- 7 Support colonne
- 8 Support mural

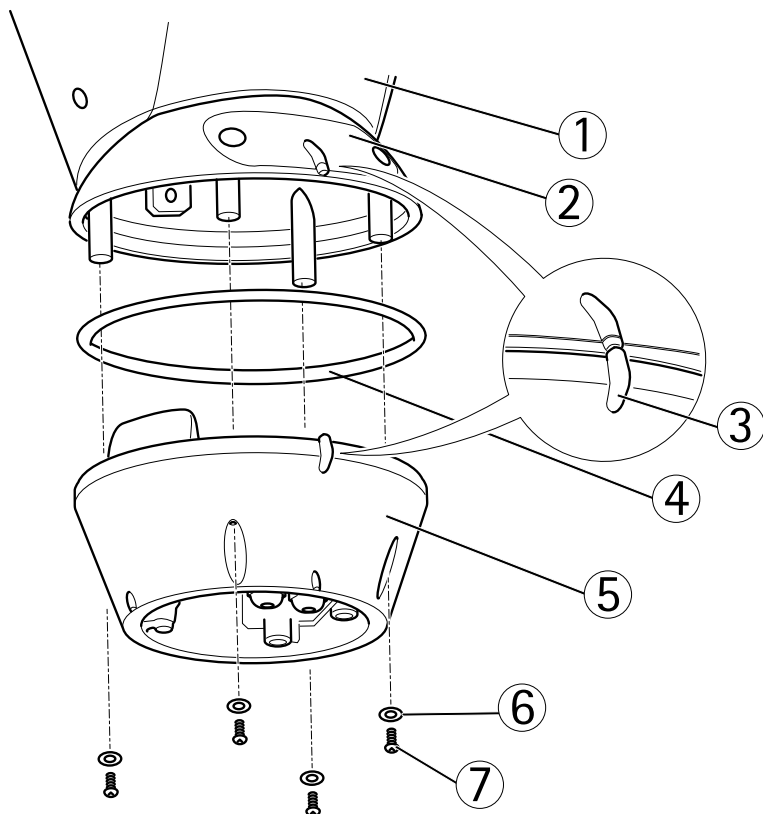
Fixation de l'unité de panorama/inclinaison à l'unité de base

AVIS

Utilisez les indicateurs d'alignement pour aligner les unités. Un alignement incorrect peut causer des dommages aux composants.

Important

- Assemblez le produit en position verticale. Ne pas installer le produit à l'envers.
 - L'unité de panorama/inclinaison doit être montée bien droite comme indiqué dans l'illustration. Ne pas l'incliner sur l'unité de base.
1. Assurez-vous que le joint est en place.
 2. Rebasculez le boîtier de la caméra.
 3. Fixez l'unité de panorama/inclinaison à l'unité de base et serrez les vis (couple de serrage 4 Nm) à l'aide de la clé Allen.



- 1 *Unité de panorama/inclinaison*
- 2 *Couvercle de la carte de configuration*
- 3 *Témoins d'alignement*
- 4 *Joint*
- 5 *Socle*
- 6 *Rondelle (x4)*
- 7 *Vis (x4)*

4. L'installation mécanique est terminée. Pour accéder à la caméra, reportez-vous à la section *Accès au produit* page 71. Pour plus d'informations sur l'accès au flux de données vidéo, reportez-vous au manuel de l'utilisateur du produit.

Installation de l'éclairage infrarouge

⚠️ AVERTISSEMENT

- Émission de lumière infrarouge (groupe de risque 2) qui peut être dangereuse pour les yeux. Suivez attentivement les recommandations. Évitez toute exposition prolongée des yeux ou utilisez un dispositif de protection ou une protection pour les yeux.
- Risque de choc électrique. Assurez-vous que l'alimentation est débranchée.

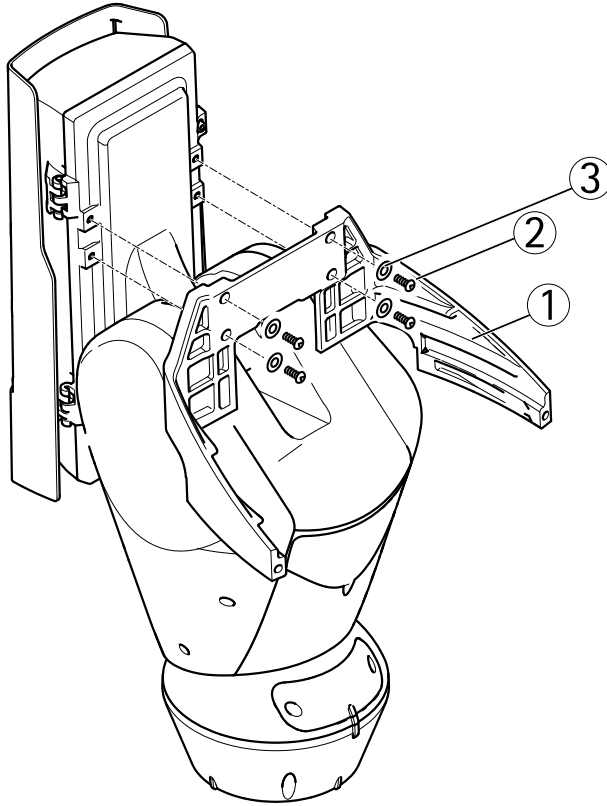
⚠️ ATTENTION

En fonctionnement normal, il est possible que la surface de l'éclairage atteignent des températures élevées. Évitez tout contact direct et placez l'appareil à un endroit inaccessible au personnel non autorisé. Avant de le toucher, mettez l'éclairage hors tension et laissez-le refroidir pendant au moins 10 minutes.

Important

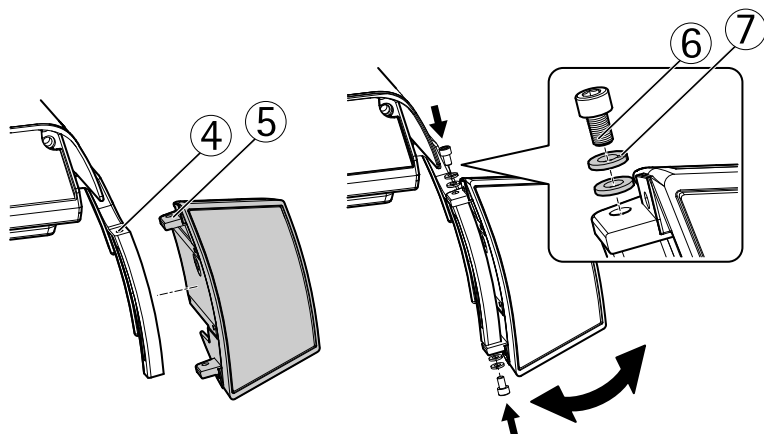
Pour fonctionner correctement, les deux illuminateurs doivent être installés ensemble.

1. Placez le support sur le fond du boîtier.
2. Placez les vis et les rondelles dans les trous et serrez-les (couple de serrage 4 Nm). Vérifiez que le support est solidement fixé.



- 1 Support
- 2 Vis
- 3 Rondelle

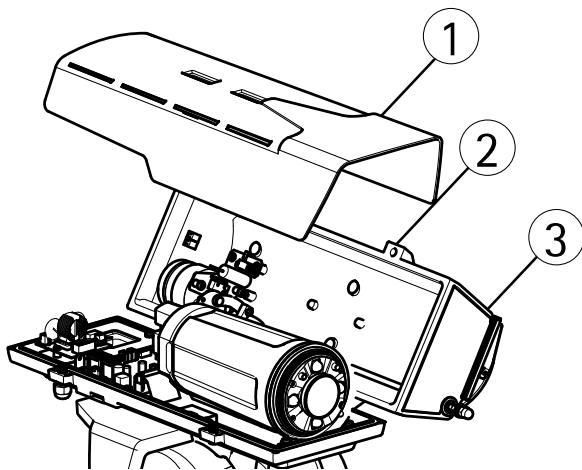
3. Faites glisser l'illuminateur sur les fixations supérieure et inférieure du support.
4. Ajustez l'angle des illuminateurs par rapport à l'environnement.
5. Fixez les vis et les rondelles (couple de serrage 6 Nm).



- 4 Fixation du support
- 5 Fixation de l'illuminateur
- 6 Vis
- 7 Rondelles

Raccordement de l'éclairage infrarouge

1. Retirez les deux vis et déposez le couvercle supérieur du boîtier.



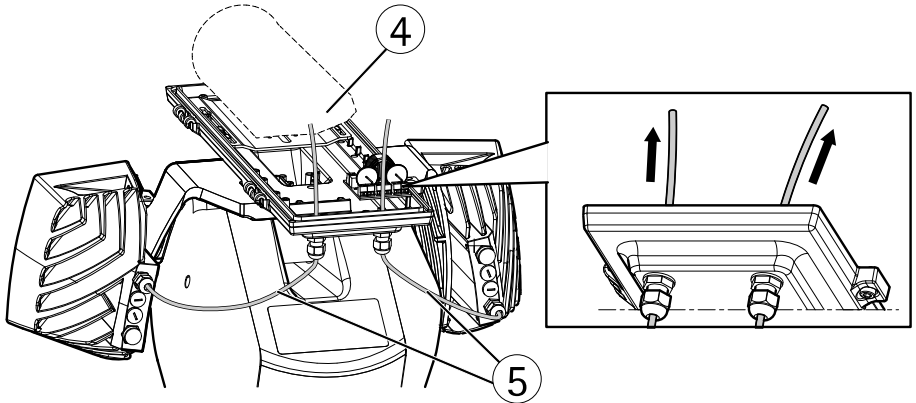
- 1 Pare-soleil
- 2 Vis

3 Couverture supérieure

Important

Afin de garantir le bon fonctionnement de l'unité en toute sécurité, ne laissez aucun câble dépasser à l'extérieur.

2. Faites passer les câbles par le boîtier. Laissez une longueur de câble de 25 cm (10 po).



- 4 Couverture supérieure
- 5 Câbles

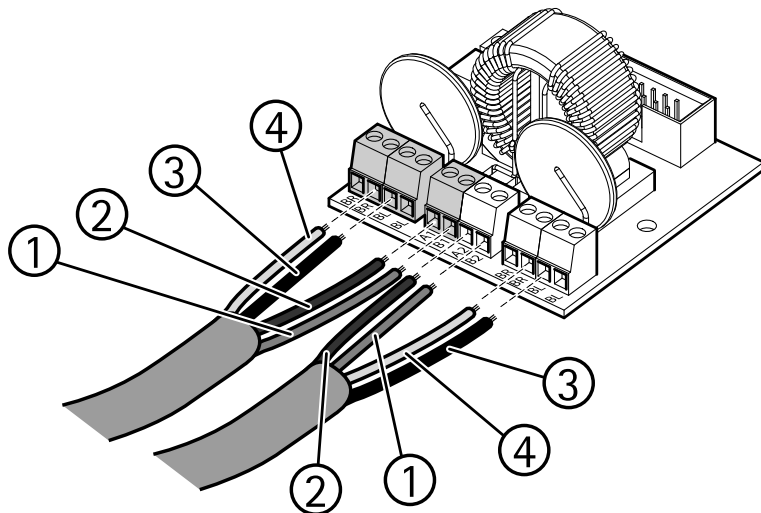
3. Branchez les câbles comme indiqué dans l'illustration.

Note

Faites attention à ne pincer aucun des câbles à la fermeture du boîtier.

4. Fermez le boîtier et fixez les deux vis.

AXIS Q8665-LE PTZ Network Camera



Pour connaître la position des câbles, reportez-vous au tableau.

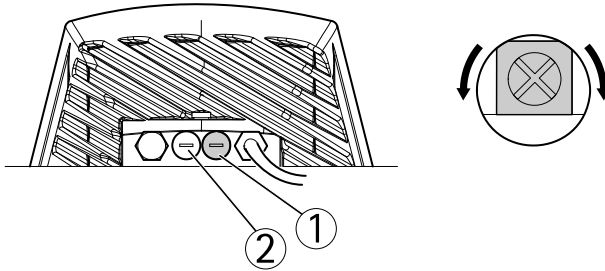
Position dans l'illustration	Éclairage gauche		Éclairage droit	
	Référence sur le tableau	Couleur du câble	Référence sur le tableau	Couleur du câble
4	WH	Blanc ou jaune	WH	Blanc ou jaune
3	BK	Noir	BK	Noir
2	A1	Vert ou bleu	A2	Vert ou bleu
1	B1	Rouge	B2	Rouge

Réglez la puissance de l'éclairage infrarouge.

Important

Ne modifiez pas la position du régulateur de seuil d'enclenchement.

- Pour ajuster l'éclairage infrarouge, desserrez le bouchon hermétique.
 - Ajustez la commande de puissance infrarouge vers la droite pour augmenter la puissance.
 - Ajustez la commande de puissance infrarouge vers la gauche pour réduire la puissance.



- 1 *Commande de puissance infrarouge*
- 2 *Régulateur de seuil de déclenchement*

Accès au produit

Utilisez les outils fournis sur le CD d'installation et de gestion pour attribuer une adresse IP, configurez le mot de passe et accédez au flux de données vidéo. Ces informations sont également disponibles sur les pages d'assistance technique du site www.axis.com/techsup

Panoramique/Inclinaison/Zoom

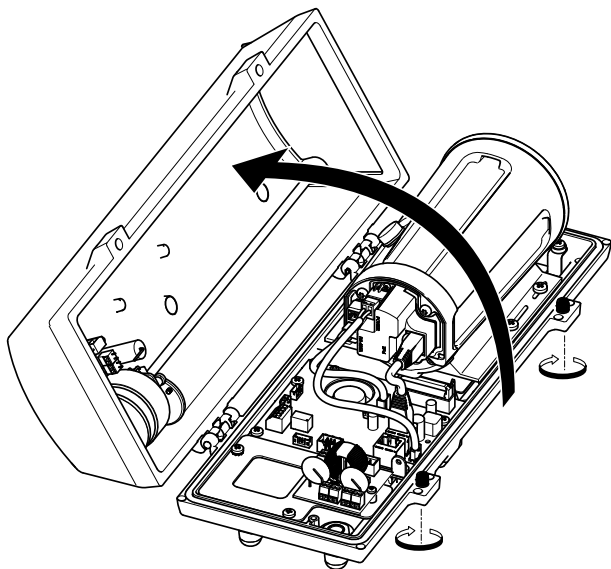
ATTENTION

Pièces mobiles dangereuses. Éloignez les doigts et autres parties du corps pendant le fonctionnement.

La fonctionnalité PTZ est contrôlée par la caméra réseau. Les commandes PTZ seront disponibles à partir de la page d' image en direct dans les pages Web de la caméra réseau après l'activation de la fonctionnalité PTZ. Voir le Manuel d'utilisation, disponible à l'adresse www.axis.com

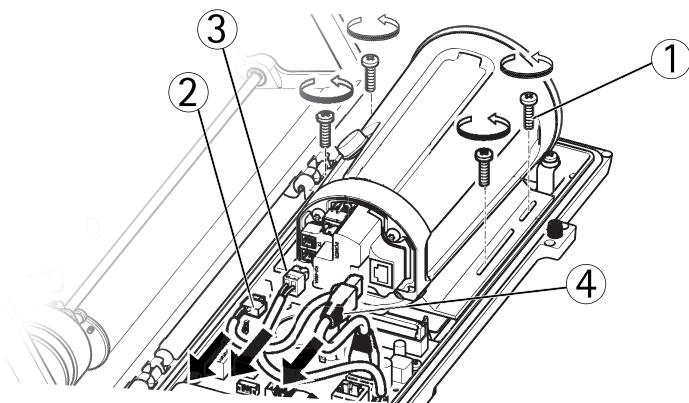
Accès à la caméra

Pour accéder à la caméra afin de monter la carte SD ou réinitialiser la caméra aux paramètres d'usine par défaut, retirez les deux vis et ouvrez le couvercle supérieur.



Installation de la carte SD

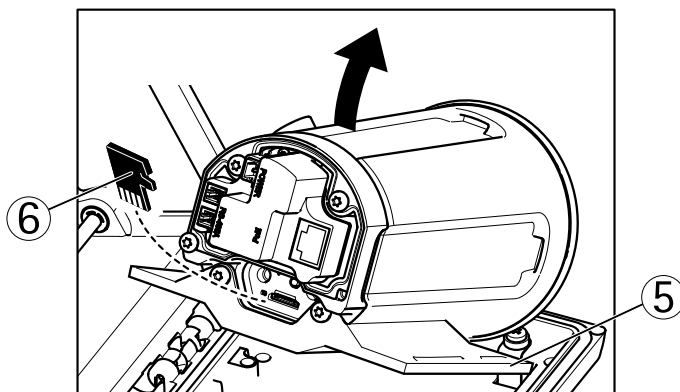
1. Retirez le câble d'alimentation, le câble réseau et le câble RX/TX.
2. Retirez les quatre vis.



- 1 Vis
- 2 Câble d'alimentation
- 3 Câble RX/TX

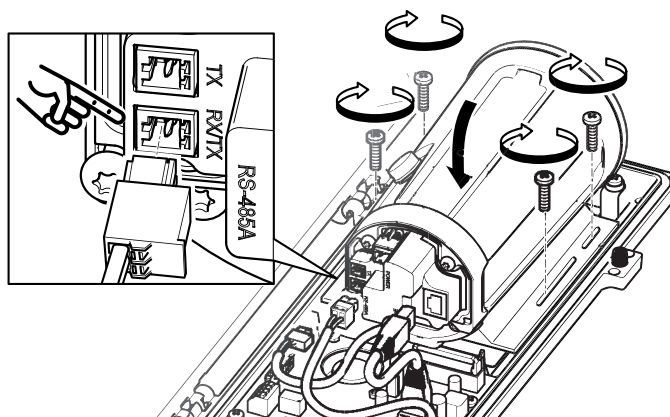
4 Câble réseau

3. Soulevez la caméra avec le support et insérez la carte SD.



- 5 Support
- 6 Carte SD

4. Fixez les câbles et remettez en place les quatre vis.



Réinitialisation aux paramètres d'usine par défaut

Important

La réinitialisation aux paramètres par défaut doit être utilisée avec prudence. Cette opération reconfigure tous les paramètres, y compris l'adresse IP, aux valeurs d'usine par défaut.

Note

Les logiciels d'installation et de gestion sont disponibles sur le CD fourni avec le produit et sur les pages d'assistance du site www.axis.com/techsup

Pour réinitialiser l'appareil aux paramètres d'usine par défaut :

1. Déconnectez l'alimentation de l'appareil.
2. Maintenez le bouton de commande enfoncé et remettez l'appareil sous tension. Consultez *Aperçu du matériel* page 47.
3. Maintenez le bouton de commande enfoncé pendant 15 à 30 secondes, jusqu'à ce que le voyant d'état passe à l'orange et clignote.
4. Relâchez le bouton de commande. Le processus est terminé lorsque le voyant d'état passe au vert. Les paramètres d'usine par défaut de l'appareil ont été rétablis. En l'absence d'un serveur DHCP sur le réseau, l'adresse IP par défaut est 192 . 168 . 0 . 90.
5. Utilisez les outils d'installation et de gestion pour attribuer une adresse IP, configurer le mot de passe et accéder au flux de données vidéo.

Il est également possible de rétablir les paramètres d'usine à partir de l'interface Web. Accédez à **Setup > System Options > Maintenance** (Configuration > Options du système > Maintenance) (Configuration > Configuration du contrôleur supplémentaire > Configuration > Options du système > Maintenance).

Changement d'un fusible dans le boîtier du capteur de lumière

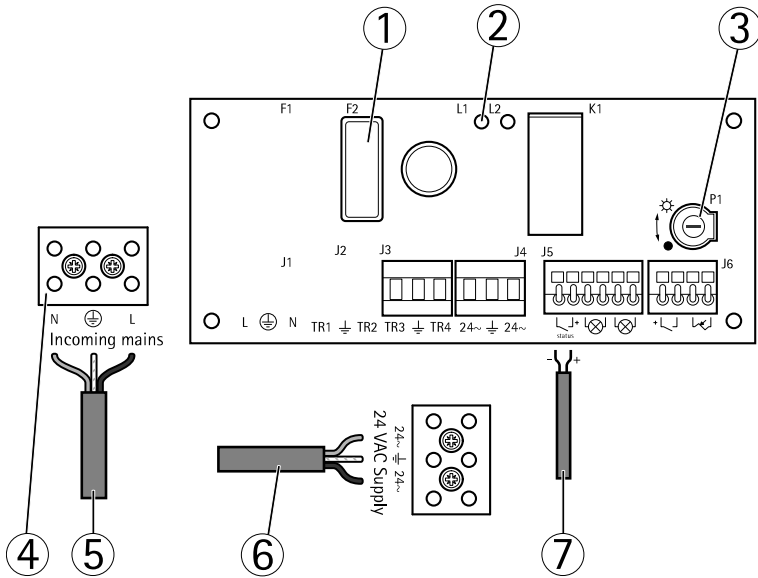
⚠DANGER

Risque de choc électrique. Avant toute intervention à l'intérieur du panneau, mettez l'alimentation de l'équipement hors tension.

⚠ATTENTION

- Les branchements électriques et les installations de conduits doivent être réalisés par un électricien certifié et conformément à la réglementation locale.
 - Risque d'incendie. Pour assurer une protection permanente contre le risque d'incendie, vous devez remplacer les fusibles par des fusibles de même type et de même ampérage.
1. Débranchez l'alimentation.
 2. Ouvrez le couvercle du boîtier du capteur de lumière en retirant les vis.

3. Vérifiez le fusible à l'aide d'un multimètre.
 - Si le fusible est intact, passez à *Changement des fusibles dans l'unité de base* page 76.
 - Si le fusible a fondu, changez le fusible. Reportez-vous au tableau ci-dessous.
4. Fixez le couvercle sur le boîtier du capteur de lumière.



- 1 Porte-fusibles et fusible
- 2 Voyant du fusible
- 3 Potentiomètre P1
- 4 Bloc de connexion de l'alimentation secteur
- 5 Câble d'alimentation secteur
- 6 Câble d'alimentation de l'unité panoramique/inclinaison (24 V AC) (préinstallé)
- 7 Câble du signal (préinstallé)

Caractéristiques techniques des fusibles	
Tension	Fusible
100/120/230 V CA	T8A L 250 V

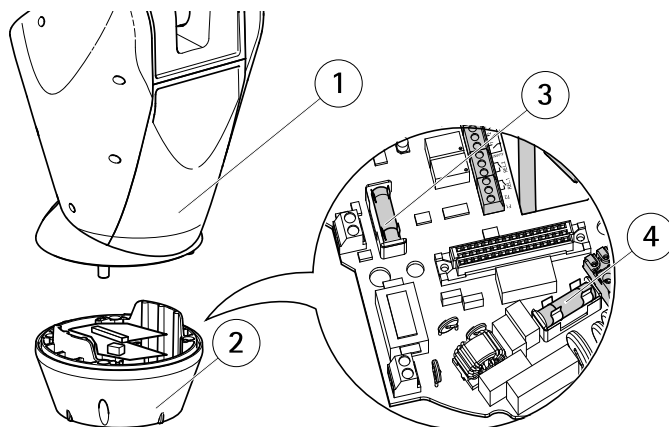
Changement des fusibles dans l'unité de base

⚠ DANGER

Risque de choc électrique. Avant toute intervention à l'intérieur de l'unité de base, mettez l'alimentation de l'équipement hors tension.

⚠ ATTENTION

- Les branchements électriques et les installations de conduits doivent être réalisés par un électricien certifié et conformément à la réglementation locale.
 - Risque d'incendie. Pour assurer une protection permanente contre le risque d'incendie, vous devez remplacer les fusibles par des fusibles de même type et de même ampérage.
1. Séparez l'unité de panorama/inclinaison de l'unité de base en retirant les quatre vis, reportez-vous à la section *Aperçu du matériel*.
 2. Vérifiez les fusibles à l'aide d'un multimètre. Si les fusibles ont fondu, changez les fusibles. Reportez-vous au tableau ci-dessous.



- 1 Unité de panorama/inclinaison
- 2 Unité de base
- 3 Fusible F1
- 4 Fusible F2

Caractéristiques techniques des fusibles		
Tension	Fusible F1 5x20	Fusible F2 5x20
24/100 V CA 50/60 Hz	F 6,3 A 250 V	T 8 A 250 V

120 V CA 50/60 Hz	F 6,3 A 250 V	T 4 A 250 V
230 V CA 50/60 Hz	F 6,3 A 250 V	T 2 A 250 V

3. Fixation de l'unité de panorama/inclinaison à l'unité de base.

Pour obtenir plus de renseignements

Le Manuel de l'utilisateur est disponible à l'adresse suivante : www.axis.com

Consultez le site www.axis.com/techsup pour vérifier si une mise à jour du microprogramme est disponible pour votre appareil réseau. Pour connaître la version du microprogramme actuellement installée, reportez-vous à la page **Setup > About** (Configuration > À propos de).

Visitez le centre de formation en ligne Axis sur le site www.axis.com/academy pour en savoir plus sur les formations, les webinaires, les tutoriels et les guides.

Informations sur la garantie

Pour obtenir de plus amples informations sur la garantie du produit AXIS et des renseignements connexes, allez sur le site www.axis.com/warranty/

Sicherheitsinformation

Lesen Sie das Installationshandbuch sorgfältig durch bevor sie das Produkt installieren. Bewahren Sie das Installationshandbuch für zukünftige Zwecke auf.

Gefährdungsstufen

▲GEFAHR

Weist auf eine gefährliche Situation hin, die, falls nicht verhindert, zu Tod oder schweren Verletzungen führt.

▲WARNUNG

Weist auf eine gefährliche Situation hin, welche, falls nicht verhindert, zu Tod oder schweren Verletzungen führen kann.

▲VORSICHT

Weist auf eine gefährliche Situation hin, welche, falls nicht verhindert, zu geringfügiger oder mäßiger Verletzung führen kann.

HINWEIS

Weist auf eine gefährliche Situation hin, welche, falls nicht verhindert, zu Sachschäden führen kann.

Weitere Nachrichtenstufen

Wichtig

Weist auf wichtige Informationen hin, die den richtigen Betrieb des Produkts gewährleisten.

Beachten

Weist auf nützliche Informationen hin, die die optimale Verwendung des Produkts unterstützen.

Sicherheitsanweisungen

⚠️ WARNUNG

- Das Axis Produkt muss von geschultem Personal installiert werden.

⚠️ VORSICHT

- Verletzungsgefahr. Das installierte Produkt darf aufgrund der sich bewegenden Teile während des Betriebs nur für autorisiertes Personal zugänglich sein.
- Die im Lieferumfang der Ausrüstung enthaltene Lichtsensorbox (nicht für 24 V AC geeignet) muss an einem Ort mit eingeschränktem Zugang installiert werden.

HINWEIS

- Die Anwendung des Axis Produkts muss unter Beachtung der örtlich geltenden rechtlichen Bestimmungen erfolgen.
- Lagern Sie das Axis Produkt in einer trockenen und belüfteten Umgebung.
- Achten Sie darauf, dass das Axis Produkt weder Stößen noch starkem Druck ausgesetzt ist.
- Installieren Sie das Produkt nicht an instabilen Halterungen, Oberflächen oder Wänden.
- Verwenden Sie bei der Installation des Axis Produkts ausschließlich passende Werkzeuge. Ein zu großer Kraftaufwand mit elektrischen Werkzeugen kann das Produkt beschädigen.
- Verwenden Sie keine chemischen, ätzenden oder aerosolhaltigen Reinigungsmittel.
- Verwenden Sie zum Reinigen ein sauberes, mit lauwarmem Wasser angefeuchtetes Tuch.
- Verwenden Sie nur Zubehör, das den technischen Daten des Produkts entspricht. Dieses ist von Axis oder Drittanbietern erhältlich.
- Verwenden Sie ausschließlich Ersatzteile die von Axis bereitgestellt oder empfohlen werden.
- Versuchen Sie nicht, das Produkt selbstständig zu reparieren. Wenden Sie sich bezüglich Reparatur und Wartung an den Axis Support oder Ihren Axis Händler.
- In der elektrischen Anlage des Gebäudes muss eine betriebsbereite und leicht zu erreichende Abschaltvorrichtung installiert sein.
- Es handelt sich um festgeschaltete Ausrüstung (Feldverkabelung). Die elektrische Anlage des Gebäudes muss mit einem Überstrom- und Kurzschlusschutz bis zu 20 A ausgestattet sein.

Transport

HINWEIS

- Bei Bedarf transportieren Sie das Axis Produkt in der Originalverpackung oder einer entsprechenden Verpackung, so dass Schäden vermieden werden.

Batterie

Das Axis-Produkt ist mit einer 3,0 V-BR/CR2032-Lithium-Batterie ausgestattet, mit der die interne Echtzeituhr (RTC) versorgt wird. Unter normalen Bedingungen hat die Batterie eine Lebensdauer von mindestens fünf Jahren.

Bei entladener Batterie ist der Betrieb der Echtzeituhr nicht mehr gewährleistet, sodass die Uhr bei jedem Systemstart zurückgesetzt wird. Sie erhalten eine Protokollnachricht im Serverbericht des Produkts, wenn ein Batteriewechsel erforderlich ist. Weitere Informationen über den Serverbericht finden Sie auf den Setup-Seiten des Produkts, oder wenden Sie sich an den Axis Support.

Die Batterie sollte nur bei Bedarf ersetzt werden. Wenden Sie sich in diesem Fall an den Axis Support unter www.axis.com/techsup.

⚠️ WARNUNG

- Explosionsgefahr bei fehlerhaftem Batteriewechsel.
- Die Batterie darf nur durch eine identische Batterie oder eine von Axis empfohlene Batterie ersetzt werden.
- Verbrauchte Batterien sind gemäß den örtlichen Vorschriften oder den Anweisungen des Herstellers zu entsorgen.

Installationsanleitung

In dieser Anleitung wird die Installation der AXIS Q8665–LE-Netzwerk-Kamera in Ihrem Netzwerk beschrieben. Weitere Informationen zur Verwendung dieses Produkts finden Sie im Benutzerhandbuch unter www.axis.com.

Ausführungen

Produkt	Stromversorgung
AXIS Q8665–LE	24 V AC
	100 V AC
	120 V AC
	230 V AC

Installationsschritte

1. Stellen Sie sicher, dass die Packungsinhalte, Werkzeuge und andere notwendige Materialien für die Installation in Ordnung sind. Siehe *Seite 83*.
2. Machen Sie sich mit der Hardware–Übersicht vertraut. Siehe *Seite 85*.
3. Machen Sie sich mit den technischen Daten vertraut. Siehe *Seite 92*.
4. Installieren Sie die Hardware. Siehe *Seite 94*.
5. Zugriff auf das Produkt. Siehe *Seite 109*.

Lieferumfang

- AXIS Q8665–LE
 - PTZ-Netzwerk-Kamera
 - Basiseinheit
 - Sonnenblende
- Infrarotleuchtsatz
 - 2 Leuchten
 - Halterung
 - Schrauben
- Lichtsensorbox, Stromversorgungs- und Signalkabel (10 m) zum Anschluss an das Hauptgerät vormontiert (geschützt durch Kabelführung)
(nicht bei AXIS Q8665–LE 24 V AC)
- Installationszubehör

AXIS Q8665-LE PTZ Network Camera

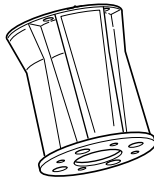
- CD-ROM mit Installations- und Verwaltungssoftware
- Gedruckte Dokumente
 - Installationsanleitung (dieses Dokument)
 - Zusätzliche Etiketten mit der Seriennummer (2x)

Erforderliche Befestigungsteile (separat erhältlich)

- AXIS Wandhalterung K oder AXIS Säulenhalterung K

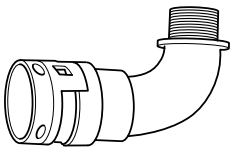


AXIS Wandhalterung K

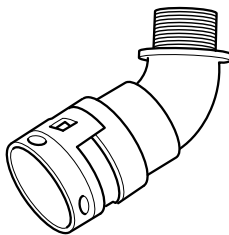


AXIS Säulenhalterung K

- Kabelführung für die Wand- oder Säulenmontage



Kabelführung für die
Wandmontage



Kabelführung für die
Säulenmontage

Optionales Zubehör

- AXIS T95A64-Eckhalterung
- AXIS T95A67-Masthalterung
- AXIS Unterlegscheibensatz A
- AXIS T8604-Media-Konverter-Switch
- AXIS T8640-Ethernet-over-Coax-Adapter PoE+

Unter www.axis.com finden Sie Informationen über verfügbares Zubehör.

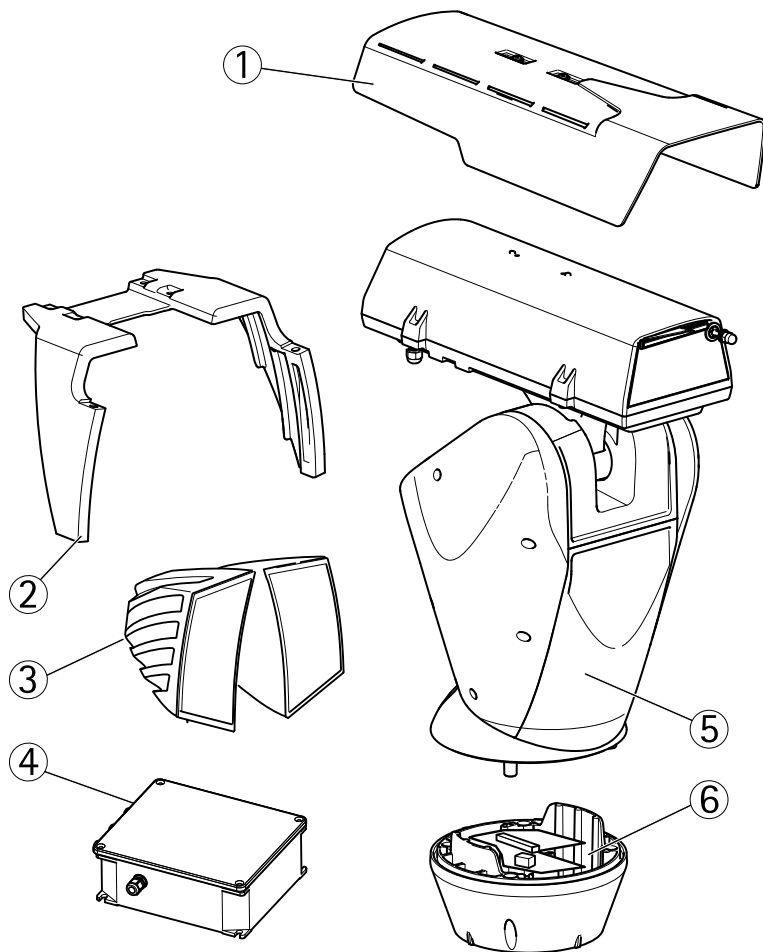
Empfohlene Werkzeuge

- RJ-45-Crimp-Werkzeug
- Ratschensatz
- Bohrmaschine zum Bohren von Löchern in die Montagefläche
- Loctite® 243-Gewindekleber

Übersicht über die Hardware

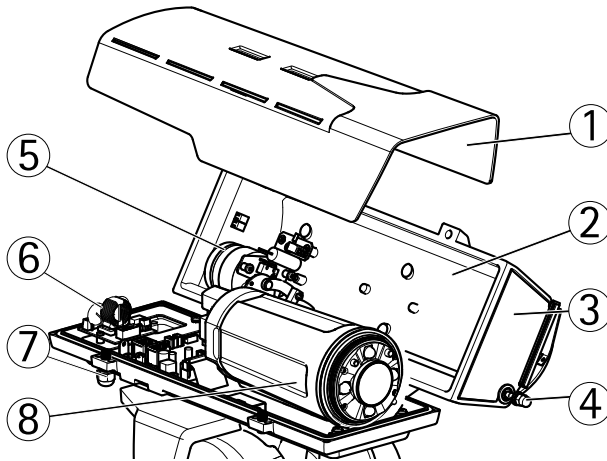
- Eine Übersicht über das Gehäuse finden Sie unter *Gehäuse auf Seite 87*.
- Eine Übersicht über die Tasten und Anschlüsse der Kamera finden Sie unter *Kameraeinheit auf Seite 88*.
- Eine Übersicht über die Leuchten finden Sie unter *Seite 88*.
- Eine Übersicht über die Lichtsensorbox finden Sie unter *Seite 89*.

AXIS Q8665-LE PTZ Network Camera



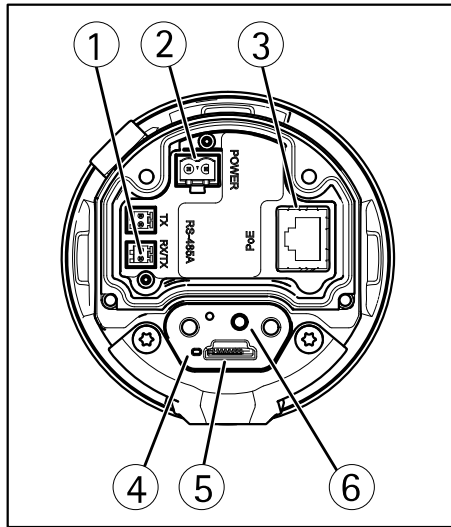
- 1 *Sonnenblende*
- 2 *Leuchtenhalterung*
- 3 *Leuchten*
- 4 *Lichtsensorbox (nicht für AXIS Q8665-LE 24 V AC)*
- 5 *PTZ-Netzwerk-Kamera*
- 6 *Basiseinheit*

Gehäuse



- 1 Sonnenblende
- 2 Obere Abdeckung
- 3 Schutzfenster
- 4 Wischer
- 5 Wischermotor
- 6 Leuchtenplatine
- 7 Durchführung für die Leuchtenkabel
- 8 Kameraeinheit

Kameraeinheit

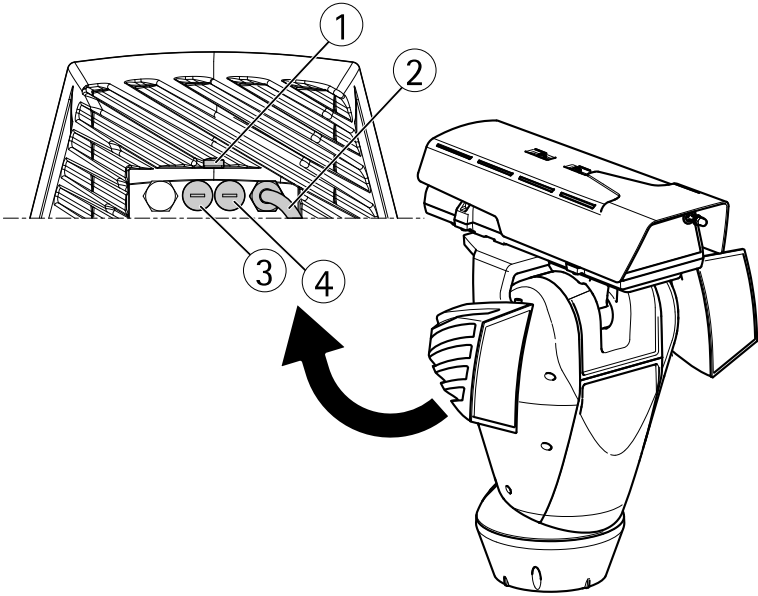


- 1 RS485-/RS422-Anschluss
- 2 Netzanschluss
- 3 Netzwerkanschluss
- 4 LED-Statusanzeige
- 5 Einschub für microSD-Speicherkarte
- 6 Steuertaste

Infrarotleuchte

Wichtig

Bewegen Sie den Regler für den Einschaltwellenwert nicht.

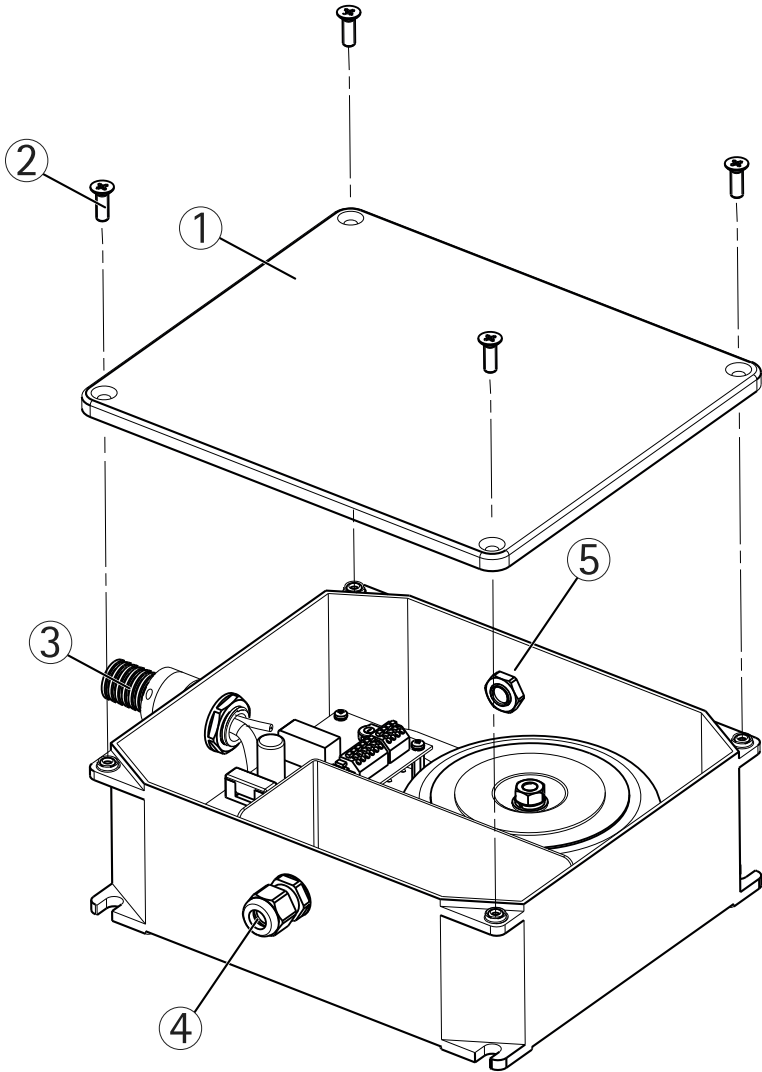


- 1 *Dämmerungssensor*
- 2 *Kabel*
- 3 *Regler für den Einschaltswellenwert*
- 4 *Regler für die Infrarotleistung*

Lichtsensorbox

Die Lichtsensorbox ist an der AXIS Q8665-LE 24 V AC nicht vorhanden.

AXIS Q8665-LE PTZ Network Camera



- 1 Deckel
- 2 Schraube (4x)
- 3 Kabelführung (einschließlich Stromversorgungs-, Erdungs- und Signalkabeln)
- 4 Kabeldurchführung (eingehendes Stromversorgungskabel)
- 5 Tag-Nacht-Sensor

Anschlüsse und Tasten

Für die technischen Daten und Betriebsbedingungen siehe *Seite 92*.

Netzwerkanschluss

RJ45-Ethernetanschluss.

HINWEIS

Das Produkt muss mit einem abgeschirmten Netzwerkkabel (STP) angeschlossen werden. Alle Kabel, die das Produkt mit dem Netzwerkschalter verbinden, müssen hierfür ausgelegt sein. Stellen Sie sicher, dass die Netzwerkgeräte gemäß den Anweisungen des Herstellers installiert wurden. Informationen zu gesetzlichen Bestimmungen finden Sie unter *Electromagnetic Compatibility (EMC) on page 2*.

Steuertaste

Die Position der Steuertaste finden Sie unter: *Übersicht über die Hardware auf Seite 85*.

Die Steuertaste hat folgende Funktionen:

- Zurücksetzen des Produkts auf Werkseinstellungen. Siehe *Seite 112*.
- Verbinden mit einem AXIS Video Hosting System-Service oder einem AXIS Internet Dynamic DNS-Service. Weitere Informationen zu diesen Diensten finden Sie in der Bedienungsanleitung.

SD-Kartensteckplatz

HINWEIS

- Gefahr von Schäden an der SD-Karte. Verwenden Sie beim Einlegen oder Entfernen der SD-Karte keine scharfen/spitzen Werkzeuge und wenden Sie nicht zu viel Kraft an.
- Gefahr vor Datenverlust. Um einer Beschädigung der Aufnahmen vorzubeugen, sollte die SD-Karte vor dem mechanischen Auswerfen getrennt werden. Rufen Sie zum Trennen **Setup > System Options > Storage > SD Card (Einrichtung > Systemoptionen > Speicher > SD-Karte)** auf und klicken Sie auf **Unmount (Trennen)**.

Dieses Produkt unterstützt microSD-/microSDHC-/microSDXC-Karten (separat erhältlich).

Empfehlungen zu SD-Karten finden Sie unter www.axis.com.

AXIS Q8665-LE PTZ Network Camera

Technische Daten

Betriebsbedingungen

Produkt	Klassifikation	Temperatur	Luftfeuchtigkeit
AXIS Q8665-LE	IEC/EN/UL 60529 IP66. NEMA 250 Typ 4X	-40 °C bis 55 °C	15 bis 100 % rF (kondensierend)

Enteisen

Die automatische Enteisierung des Produkts beginnt bei eingeschaltetem Produkt und Lufttemperaturen unter 0 °C. Durch die Enteisierung wird sichergestellt, dass das Produkt auch bei niedrigen Temperaturen ordnungsgemäß funktioniert. Die Enteisierung läuft maximal 90 Minuten. Während dieser Zeit ist die Kamera ausgeschaltet.

Stromversorgung

Stromverbrauch	Infrarotleuchten aktiviert	Infrarotleuchten deaktiviert
AXIS Q8665-LE	Max.: 113 W Normal: 94 W	Max.: 55 W Normal: 40 W

Gerät	Eingangsspannung
Basiseinheit	24 V AC, 8 A
Lichtsensorbox	100 V AC, 200 W 120 V AC, 200 W 230 V AC, 200 W

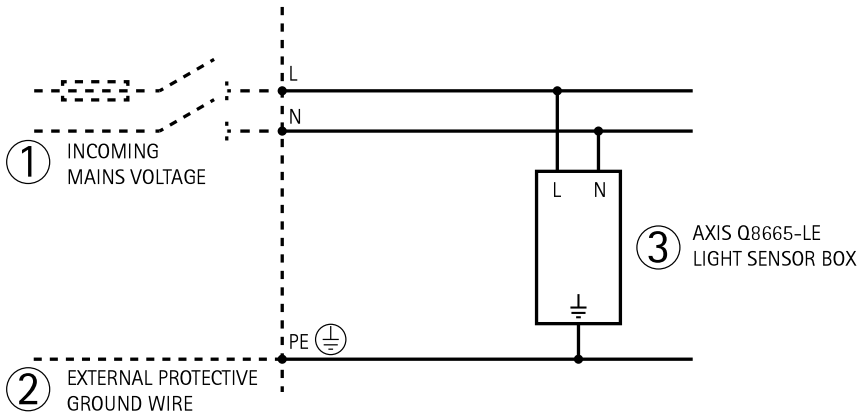
Wichtig

- Verwenden Sie zur Minderung der Brandgefahr ein UL-gelistetes oder CSA-zertifiziertes Telekommunikationskabel.
- Der Außendurchmesser der Kabel muss 7 mm betragen, damit die Schutzklasse der Lichtsensorbox erhalten bleibt. Das Stromversorgungskabel zwischen dem PLZ-Modul und der Lichtsensorbox darf nicht länger sein als 10 m sein.

Stromversorgungska- bel	Ausführung	Anzahl der Adern	Kabelquerschnitt
Stromversorgungska- bel	24 V AC		
Stromversorgungska- bel für die Lichtsen- sorbox	100 V AC 120 V AC 230 V AC	3 (L, N, PE)	Von 3,3 mm ² (AWG 12) bis 2,1 mm ² (AWG 14)

Lichtsensorbox

Anschluss Schaltbild



DEUTSCH

Spezifikation der Infrarotleuchten

Beachten

Die Beleuchtungsweite und die Leistung hängen von der jeweiligen Szene und den Umgebungslichtbedingungen ab.

Horizontale und vertikale Strahlrichtung	Maximale Beleuchtungsweite (850 nm)
60°	Bis 150 m

Der Beleuchtungswinkel sollte dem Sichtwinkel der Kamera angepasst werden, damit die gesamte Szene entsprechend ausgeleuchtet ist, siehe *Installieren der Infrarotleuchten auf Seite 104*.

Installieren der Hardware

Lichtsensorbox

Anschließen der Kabel

Anwendungen gelten nicht für AXIS Q8665–LE 24 V AC.

▲WARNUNG

- Die Installationen der elektrischen Verbindungen und Kabelkanäle müssen von einem zugelassenen Elektriker in Übereinstimmung mit örtlichen Bestimmungen vorgenommen werden.
- Stromschlaggefahr. Das Produkt sollte mit einem Erdungskabel geerdet werden. Sorgen Sie dafür, dass beide Enden des Erdungskabels Kontakt mit den entsprechenden Erdungsflächen haben.
- Die Stromversorgung muss während der Installation unterbrochen sein.

HINWEIS

Das in der Produktdokumentation angegebene Netzteil ist zu verwenden. Wenn Sie ein anderes Netzteil verwenden, erlischt die Garantie und der sichere Betrieb des Geräts ist nicht gewährleistet.

Beachten

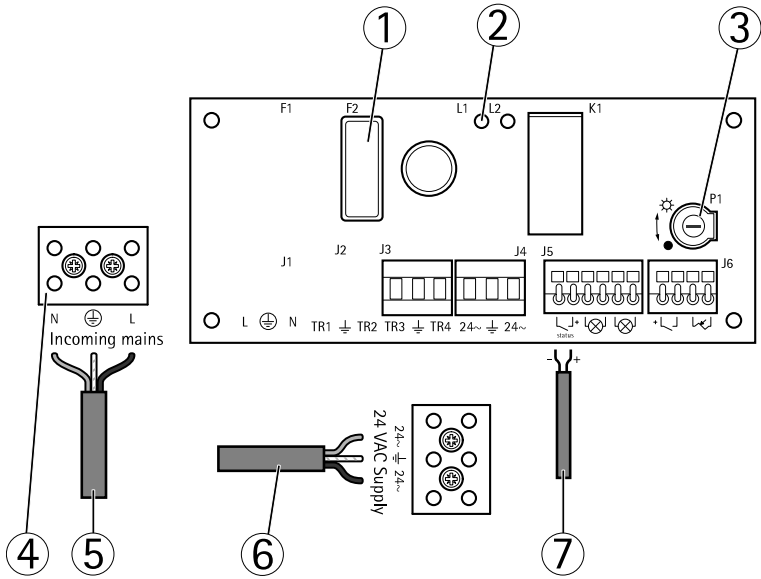
- Die Erdungsleitung muss ca. 10 mm länger sein als die anderen Leitungen. So wird verhindert, dass die Erdung unbeabsichtigt getrennt wird.
- Bei Verwendung des Tag-Nacht-Sensors ist die Lichtsensorbox so zu platzieren, dass der Tag-Nacht-Sensor das Tageslicht erfassen kann.

1. Entfernen Sie die Abdeckung und öffnen Sie die Lichtsensorbox, siehe Hardwareübersicht *Seite 89*.

Beachten

Zur Vereinfachung der Installation kann der Anschlussblock von der Platine abgezogen und nach dem Anschluss der Leitungen wieder aufgesteckt werden.

2. Verbinden Sie das Stromversorgungskabel mit der Stromversorgung am Anschlussblock.



- 1 Sicherungshalter und Sicherung (T8A L 250 V)
- 2 Sicherungs-LED
- 3 Potenziometer P1
- 4 Anschlussblock für die Stromversorgung
- 5 Stromversorgungskabel
- 6 Stromversorgungskabel für Schwenk-/Neigemodul (24 V AC) (vormontiert)
- 7 Signalkabel (vormontiert)

3. Ziehen Sie die Kappe der Kabelverschraubung fest.
4. Stellen Sie ggf. das Potenziometer P1 höher oder niedriger ein, um die Empfindlichkeit des Tag-Nacht-Sensors einzustellen. Siehe *Einstellen des Tag-Nacht-Sensors auf Seite 95*.
5. Schließen Sie die Lichtsensorbox und ziehen Sie die Schrauben fest.

Einstellen des Tag-Nacht-Sensors

Beachten

Der integrierte Tag-Nacht-Sensor der Kamera ist standardmäßig aktiviert. Der Tag-Nacht-Sensor an der Lichtsensorbox muss auf der Seite mit den Produkteinstellungen aktiviert werden.

Wenn Sie den Tag-Nacht-Sensor an der Lichtsensorbox verwenden, stellen Sie das Potenziometer entsprechend den Gegebenheiten vor Ort ein.

- Drehen Sie das Potenziometer im Uhrzeigersinn, um den Grenzwert zu erhöhen und das Schalten in den Nacht-Modus zu beschleunigen.
- Drehen Sie das Potenziometer entgegen dem Uhrzeigersinn, um den Grenzwert zu verringern und das Schalten in den Nacht-Modus zu verzögern. Der Nacht-Modus wird durch eine rote LED angezeigt. Beim Umschalten in den Nacht-Modus werden die Leuchten aktiviert.

Anbringen der Halterung (separat erhältlich)

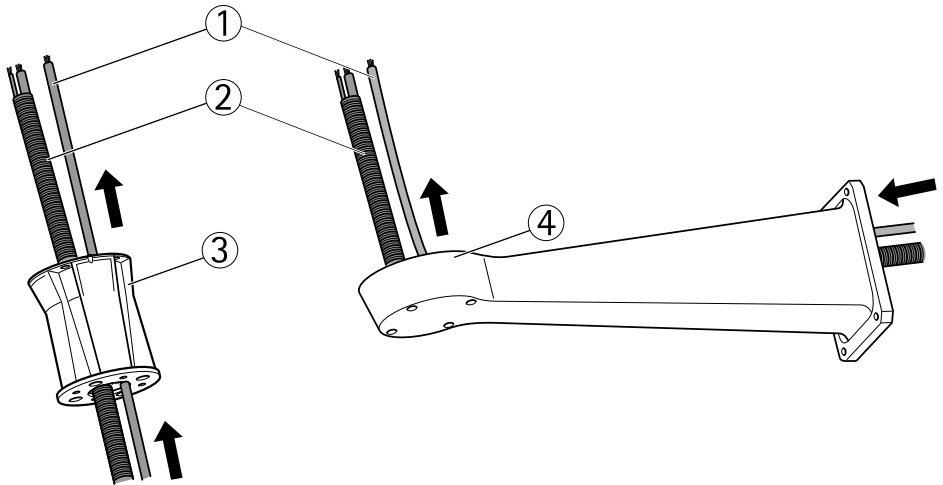
Die Halterungen sind separat erhältlich. Unter www.axis.com finden Sie Informationen über verfügbares Montagezubehör.

⚠️ WARNUNG

Verletzungsgefahr. Stellen Sie vor dem Betrieb sicher, dass das Produkt an der Montagefläche befestigt ist.

Wichtig

- Beim Anbringen der Halterung auf Beton sind Stifte mit einem Zugmoment von ≤ 300 dN zu verwenden.
 - Beim Anbringen der Halterung auf Metall sind Schrauben mit einem Durchmesser von mindestens 8 mm zu verwenden.
1. Bereiten Sie eine Wand, eine Brüstung oder einen Hochständer für die Installation der ausgewählten Halterung vor.
 2. Führen Sie das Netzwerk- und das Leitungskabel durch die Halterung. Es müssen 50 cm zusätzliches Kabel für den Anschluss an der Basiseinheit vorhanden sein.



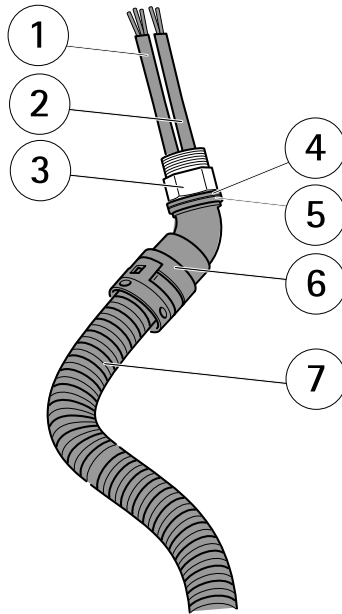
- 1 *Netzwerkabel*
- 2 *Leitungskabel mit Stromversorgungs- und Signalkabeln*
- 3 *Halterung für Säulenmontage*
- 4 *Wandhalterung*

Anbringen der Basiseinheit an der Halterung

⚠WARNUNG

Die Installationen der elektrischen Verbindungen und Kabelkanäle müssen von einem zugelassenen Elektriker in Übereinstimmung mit örtlichen Bestimmungen vorgenommen werden.

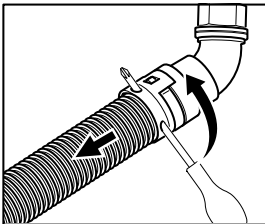
1. Nehmen Sie den Antikondensationsbeutel aus der Basiseinheit.
2. Befestigen Sie die Kabelführung am Leitungskabel.
3. Bringen Sie zwei Unterlegscheiben und die Mutter an der Kabelführung an.



- 1 Stromversorgungskabel
- 2 Signalkabel
- 3 Befestigungsmutter
- 4 Unterlegscheibe
- 5 Unterlegscheibe
- 6 Kabelführung
- 7 Leitungskabel

Beachten

Führen Sie einen Schraubendreher durch die Öffnungen der Kabelführung und drehen Sie diese unter Zug, um Kabelführung und Leitungskabel zu trennen.



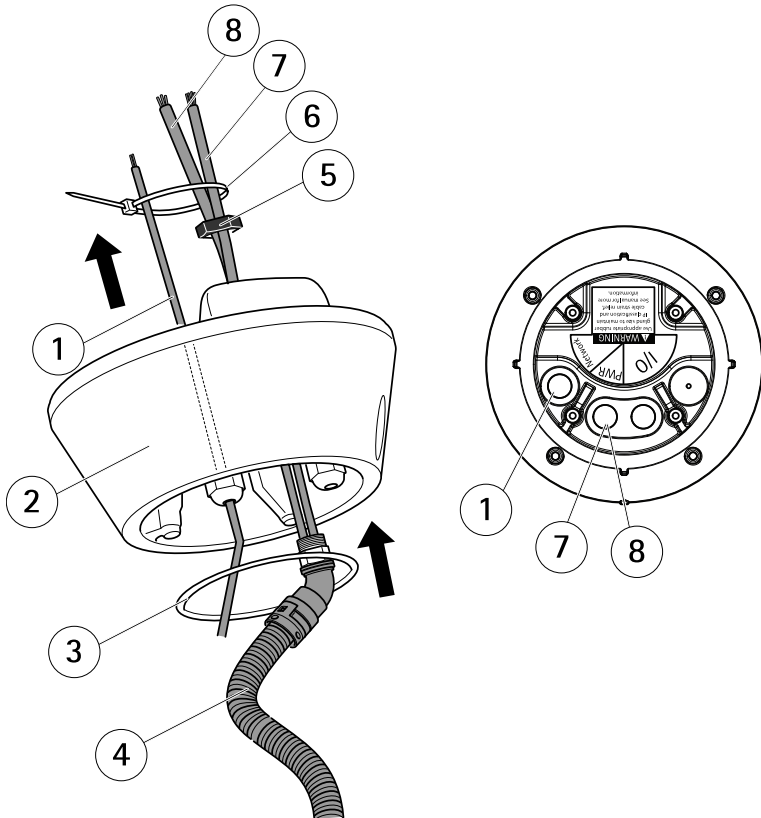
- 4. Stellen Sie sicher, dass sich die Dichtung an der richtigen Position befindet.

5. Führen Sie die Stromversorgungs- und Signalkabel durch die in der Abbildung gezeigte Kabelverschraubung.
6. Bringen Sie die Befestigungsmutter an der Kabelführung an.
7. Führen Sie das Netzkabel durch die in der Abbildung gezeigte Kabelverschraubung.

HINWEIS

Ziehen Sie die Kabelverschraubungen fest. Dies ist wichtig, damit die Schutzart des Produkts beibehalten werden kann und kein übermäßiger Zug auf die Kabel ausgeübt wird.

8. Ziehen Sie die Kabelverschraubungen nach dem Durchführen fest. So können die Kabel nicht herausrutschen.
9. Sichern Sie die Kabel mithilfe eines Kabelbinders.



- 1 Netzkabel
- 2 Basiseinheit

AXIS Q8665–LE PTZ Network Camera

- 3 *Dichtung*
- 4 *Leitungskabel*
- 5 *Befestigungsmutter*
- 6 *Kabelbinder*
- 7 *Signalkabel*
- 8 *Stromversorgungskabel*

Wichtig

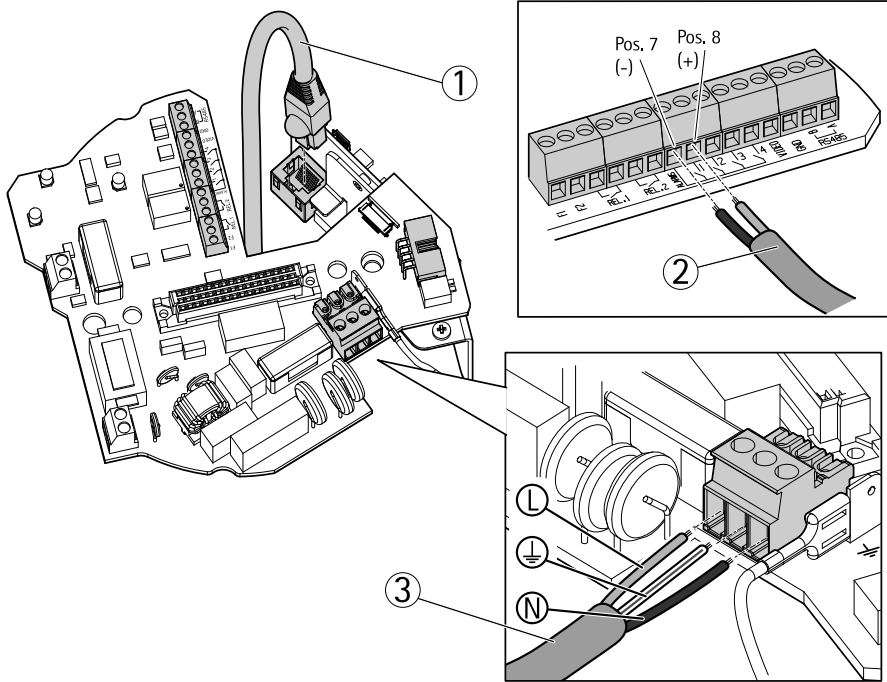
Die DIP-Schalter in der Basiseinheit wurden werkseitig mit dem richtigen PTZ-Protokoll konfiguriert. Hier sind keine Änderungen erforderlich.

- 10. Schließen Sie das Signalkabel der Leuchten an den Anschluss (ALARMS und 1) der Basiseinheit an.
- 11. Manteln Sie das Netzkabel ab und crimpen Sie es gemäß den Anweisungen des Herstellers mit einem für RJ-45 geeigneten Crimp-Werkzeug.
- 12. Verbinden Sie das Netzkabel mit dem Netzwerkanschluss an der Basiseinheit.

Beachten

Zur Vereinfachung der Installation kann der Anschlussblock von der Platine abgezogen und nach dem ordnungsgemäßen Anschluss der Kabel wieder aufgesteckt werden.

- 13. Verbinden Sie das Stromversorgungskabel mit dem Stromanschluss an der Basiseinheit. Stellen Sie sicher, dass der grün-gelbe Erdungsleiter an den mittleren Pol angeschlossen wird.



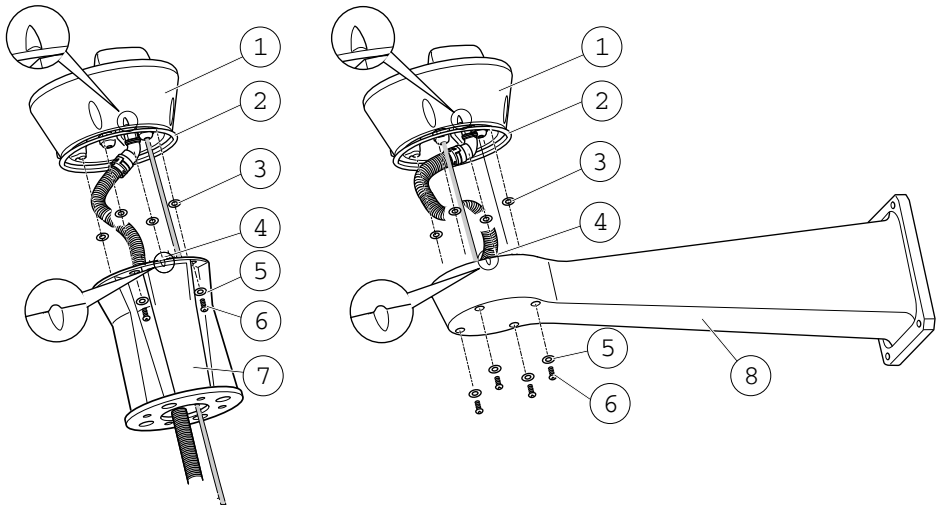
- 1 *Netzwerkabel*
- 2 *Signalkabel*
- 3 *Stromversorgungskabel*

Beachten

Die Basiseinheit kann in vier verschiedenen Positionen an der Halterung angebracht werden.

- 14. Ermitteln Sie mithilfe der Ausrichtungsmarken eine geeignete Position, die den Zugang zum Konfigurationsring ermöglicht. Dieser kann zwecks Erleichterung des Zugangs zum Netzwerkanschluss geöffnet werden.
- 15. Lösen Sie die Kabelverschraubungen, wenn die Kabel nach dem Anschließen durchhängen, ziehen Sie die Kabel straff und schließen Sie die Verschraubungen wieder.
- 16. Befestigen Sie die Basiseinheit mit den Schrauben und Unterlegscheiben an der Halterung.
- 17. Tragen Sie Loctite® 243-Gewindekleber auf die Schrauben auf und ziehen Sie diese fest (Anzugsmoment 4 Nm).

DEUTSCH



- 1 Basiseinheit
- 2 Dichtung
- 3 Unterlegscheibe (4x)
- 4 Ausrichtungsmarke
- 5 Unterlegscheibe (4x)
- 6 Schraube (4x)
- 7 Halterung für Säulenmontage
- 8 Wandhalterung

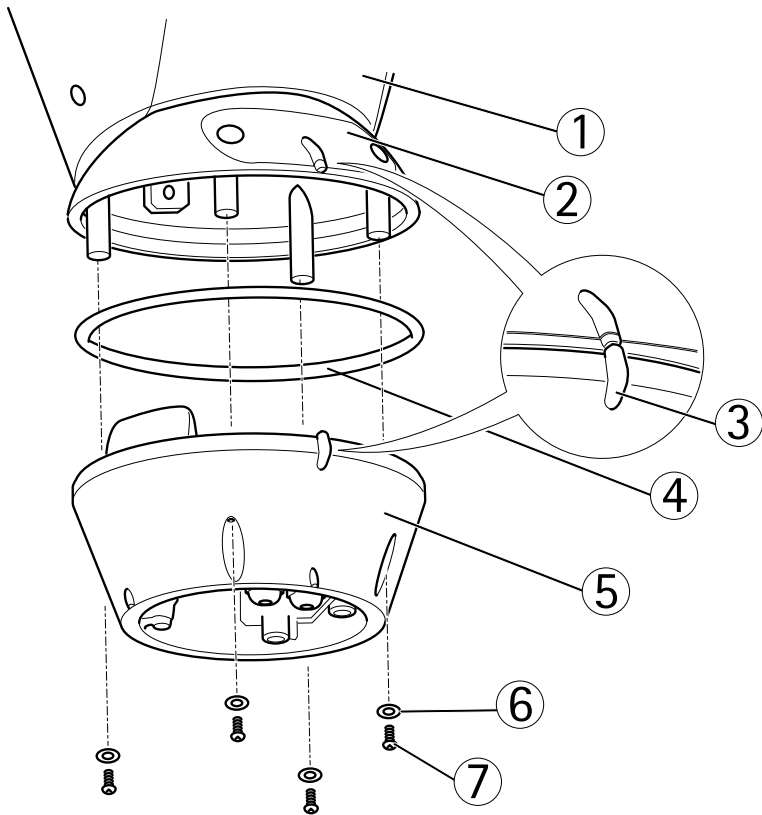
Anbringen des Schwenk-/Neigemoduls an der Basiseinheit

HINWEIS

Richten Sie die Einheiten mithilfe der Ausrichtungsmarken aus. Eine falsche Ausrichtung kann die Komponenten beschädigen.

Wichtig

- Bauen Sie das Produkt in aufrechter Position zusammen, nicht anders herum.
 - Setzen Sie das Schwenk-/Neigemodul wie in der Abbildung dargestellt direkt von oben auf. Setzen Sie es keinesfalls schräg auf die Basiseinheit.
1. Stellen Sie sicher, dass sich die Dichtung an der richtigen Position befindet.
 2. Neigen Sie das Kameragehäuse nach hinten.
 3. Bringen Sie das Schwenk-/Neigemodul an der Basiseinheit an und ziehen Sie die Schrauben mit dem mitgelieferten Inbusschlüssel fest (Anzugsmoment 4 Nm).



- 1 Schwenk-/Neigemodul
- 2 Konfigurationsabdeckung
- 3 Ausrichtungsmarken
- 4 Dichtung
- 5 Basis
- 6 Unterlegscheibe (4x)
- 7 Schraube (4x)

4. Die mechanische Installation ist damit abgeschlossen. Informationen zum Zugang zur Kameraeinheit finden Sie unter *Zugriff auf das Produkt* auf Seite 109. Informationen zum Zugriff auf den Videostrom finden Sie im Benutzerhandbuch des Produkts.

Installieren der Infrarotleuchten

⚠️ WARNUNG

- Infrarotlicht (Risikogruppe 2) kann die Augen schädigen. Beachten Sie die angegebenen Richtwerte. Setzen Sie Ihre Augen dem Licht nicht über einen längeren Zeitraum aus. Verwenden Sie eine angemessene Blende bzw. einen Augenschutz.
- Stromschlaggefahr. Stellen Sie sicher, dass das Stromversorgungskabel getrennt wurde.

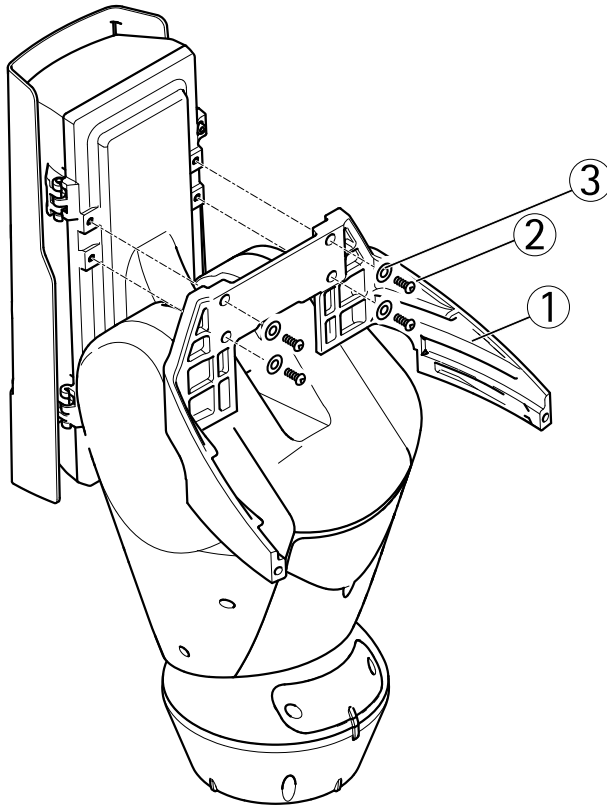
⚠️ VORSICHT

Die Leuchten werden im normalen Betrieb heiß. Berühren Sie die Leuchten nicht. Platzieren Sie das Gerät so, dass kein Zugang für nicht autorisierte Personen besteht. Schalten Sie die Leuchten aus und lassen Sie diese mindestens 10 Minuten abkühlen, bevor Sie diese berühren.

Wichtig

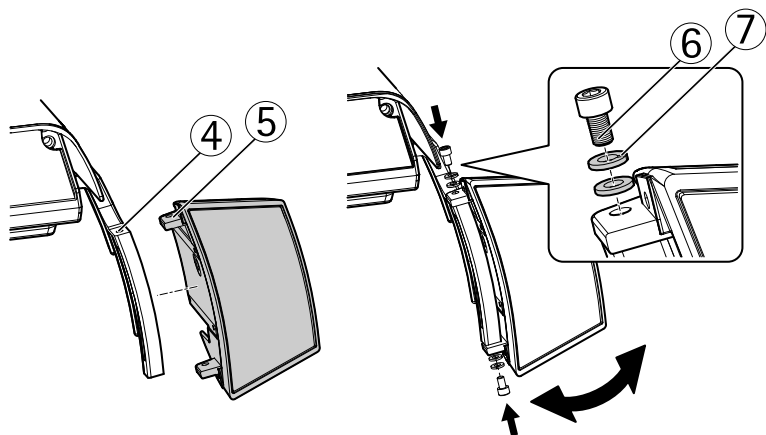
Die Leuchten müssen gemeinsam installiert werden, um die ordnungsgemäße Funktion zu gewährleisten.

1. Platzieren Sie die Halterung an der Unterseite des Gehäuses.
2. Bringen Sie die Schrauben und Unterlegscheiben an den Bohrungen an und ziehen Sie diese fest (Anzugsmoment 4 Nm). Überprüfen Sie, ob die Halterung fest sitzt.



- 1 Halterung
- 2 Schraube
- 3 Unterlegscheibe

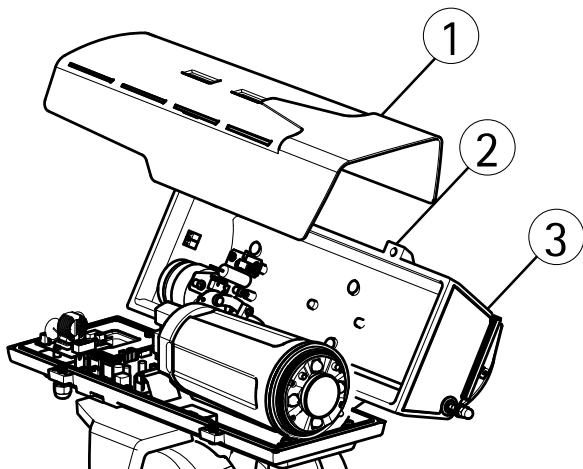
3. Führen Sie die Leuchte über die obere und untere Befestigung an der Halterung.
4. Stellen Sie den Winkel der Leuchten entsprechend der Umgebung ein.
5. Bringen Sie die Schrauben und Unterlegscheiben an (Anzugsmoment 6 Nm).



- 4 Befestigung an der Halterung
- 5 Leuchtenbefestigung
- 6 Schraube
- 7 Unterlegscheiben

Anschließen der Infrarotleuchten

1. Lösen Sie die beiden Schrauben und nehmen Sie die obere Abdeckung des Gehäuses ab.



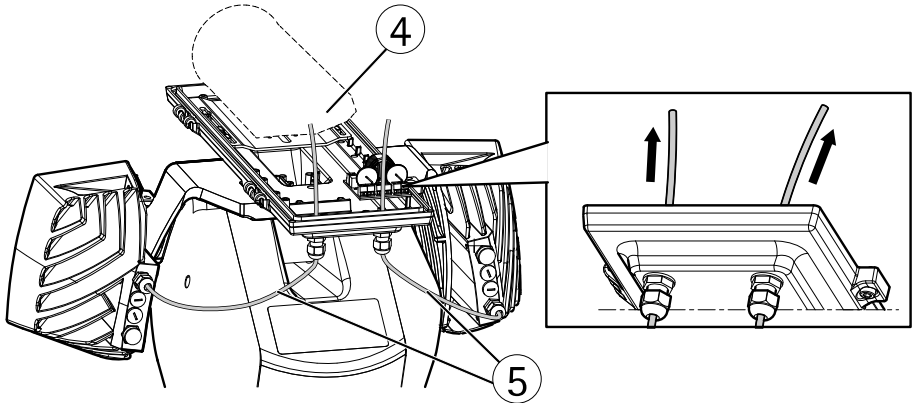
- 1 Sonnenblende
- 2 Schraube

3 Obere Abdeckung

Wichtig

Außerhalb des Gehäuses darf sich nicht mehr Kabelstrecke als nötig befinden, damit ein sicherer und ordnungsgemäßer Betrieb gewährleistet werden kann.

2. Führen Sie die Kabel durch das Gehäuse. Es müssen 25 cm Kabel zur Verfügung stehen.



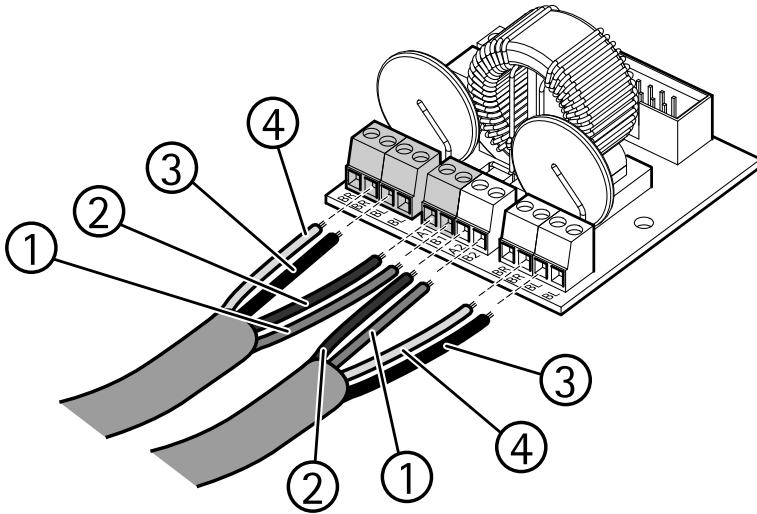
- 4 Obere Abdeckung
- 5 Kabel

3. Schließen Sie die Kabel entsprechend der Abbildung an.

Beachten

Achten Sie beim Schließen des Gehäuses darauf, keine Kabel einzuklemmen.

4. Schließen Sie das Gehäuse und bringen Sie die beiden Schrauben an.



Die genauen Kabelpositionen können Sie der Tabelle entnehmen.

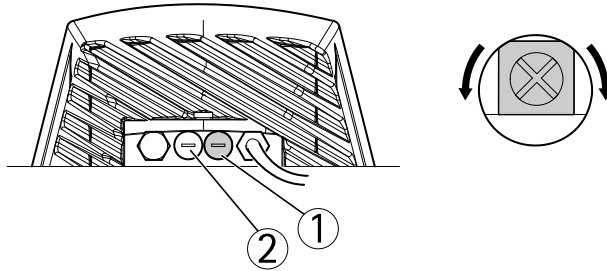
Position in Abbildung	Linke Leuchte		Rechte Leuchte	
	Bezeichnung am Verteiler	Farbmarkierung des Kabels	Bezeichnung am Verteiler	Farbmarkierung des Kabels
4	WH	Weiß oder Gelb	WH	Weiß oder Gelb
3	BK	Schwarz	BK	Schwarz
2	A1	Grün oder Blau	A2	Grün oder Blau
1	B1	Rot	B2	Rot

Einstellen der Leistung der Infrarotleuchten

Wichtig

Bewegen Sie den Regler für den Einschaltwellenwert nicht.

- Lösen Sie die Dichtungsschraube, um die Leistung der Infrarotleuchten einzustellen.
 - Bewegen Sie den Regler für die Infrarotleistung **im Uhrzeigersinn**, um die Leistung zu erhöhen.
 - Bewegen Sie den Regler für die Infrarotleistung **entgegen dem Uhrzeigersinn**, um die Leistung zu verringern.



- 1 Regler für die Infrarotleistung
- 2 Regler für den Einschaltsschwellenwert

Zugriff auf das Produkt

Verwenden Sie die bereitgestellten Tools der Installations- und Management-Software-CD, um eine IP-Adresse zuzuordnen, ein Passwort einzurichten und auf den Videostrom zuzugreifen. Diese Information finden Sie ebenso auf den Support-Seiten unter www.axis.com/techsup/

Schwenken/Neigen/Zoomen

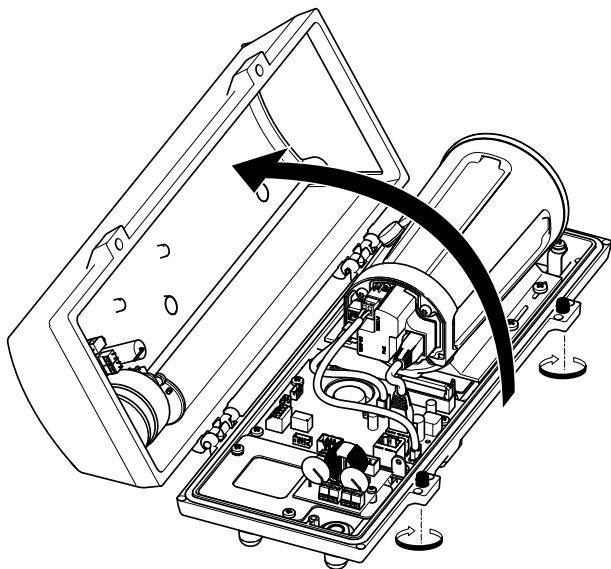
⚠VORSICHT

Gefahr durch bewegliche Teile. Halten Sie Ihre Finger und andere Körperteile während des Betriebs fern.

Die PTZ-Funktion wird durch die Netzwerk-Kamera gesteuert. Die PTZ-Steuerung ist auf der Seite für die Live-Ansicht auf den Webseiten der Netzwerk-Kamera nach Aktivierung der PTZ-Funktionalität verfügbar. Siehe Benutzerhandbuch unter www.axis.com.

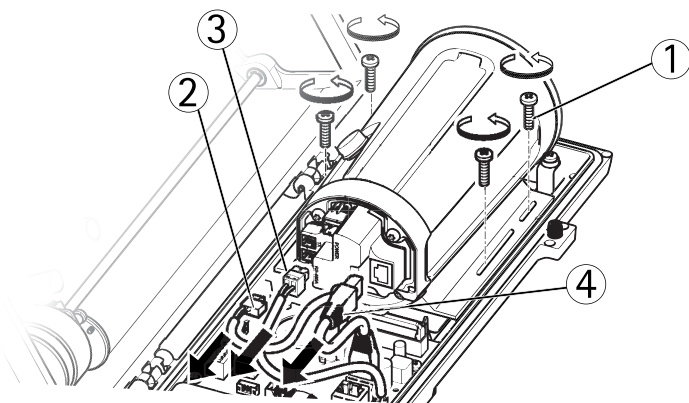
Zugang zur Kameraeinheit

Entfernen Sie die beiden Schrauben und öffnen Sie die obere Abdeckung, wenn Sie Zugang zur Kameraeinheit benötigen, um die SD-Karte zu wechseln oder die Kamera auf die werkseitigen Standardeinstellungen zurückzusetzen.



Einsetzen der SD-Karte

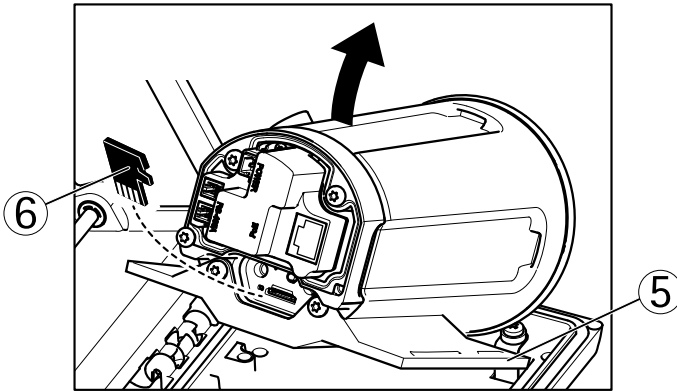
1. Entfernen Sie das Stromversorgungskabel und das RX/TX-Kabel.
2. Entfernen Sie die vier Schrauben.



- 1 Schraube
- 2 Stromversorgungskabel
- 3 RX/TX-Kabel

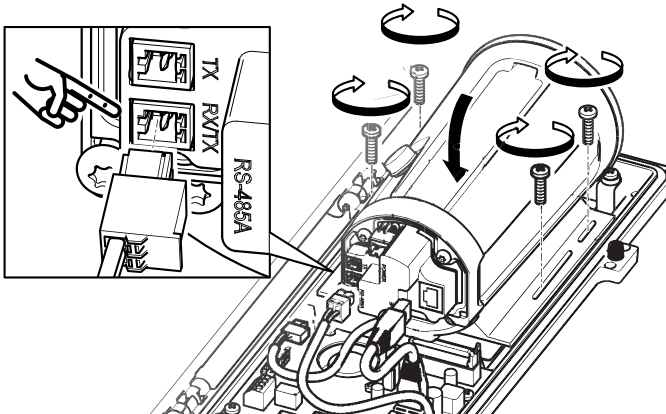
4 Netzwerkkabel

3. Heben Sie die Kamera inklusive Halterung an und setzen Sie die SD-Karte ein.



- 5 Halterung
- 6 SD-Karte

4. Bringen Sie die Kabel und die vier Schrauben an.



Zurücksetzen auf Werkseinstellungen

Wichtig

Das Zurücksetzen auf die Werkseinstellungen sollte mit Vorsicht verwendet werden. Beim Zurücksetzen auf die Werkseinstellungen werden alle Einstellungen einschließlich der IP-Adresse auf die Werkseinstellungen zurückgesetzt.

Beachten

Die Software-Tools für Installation und Verwaltung sind auf der mit dem Produkt ausgelieferten CD-ROM und über die Supportseiten unter www.axis.com/techsup verfügbar.

So wird das Produkt auf die Werkseinstellungen zurückgesetzt:

1. Trennen Sie das Produkt von der Stromversorgung.
2. Halten Sie die Steuertaste gedrückt und stecken Sie den Netzstecker wieder ein. Siehe *Übersicht über die Hardware auf Seite 85*.
3. Halten Sie die Steuertaste etwa 15–30 Sekunden gedrückt, bis die LED-Statusanzeige gelb blinkt.
4. Lassen Sie die Steuertaste los. Der Vorgang ist abgeschlossen, wenn die LED-Statusanzeige grün leuchtet. Das Produkt wurde auf die Werkseinstellungen zurückgesetzt. Wenn kein DHCP-Server im Netzwerk verfügbar ist, lautet die Standard-IP-Adresse 192.168.0.90.
5. Verwenden Sie die Software-Tools für Installation und Verwaltung, um eine IP-Adresse zuzuweisen, ein Kennwort einzurichten und auf den Videostream zuzugreifen.

Die Parameter können auch über die Weboberfläche auf die Werkseinstellungen zurückgesetzt werden. Rufen Sie **Setup > System Options > Maintenance (Setup > Systemoptionen > Wartung)** auf.

Auswechseln der Sicherung in der Lichtsensorbox

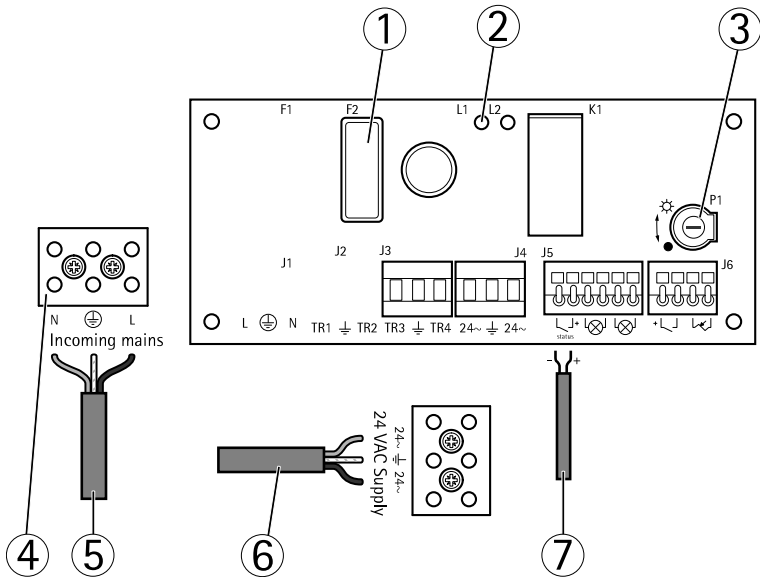
⚠GEFAHR

Stromschlaggefahr. Trennen Sie die Ausrüstung von der Stromversorgung, bevor Sie Arbeiten am Inneren vornehmen.

⚠VORSICHT

- Die Installationen der elektrischen Verbindungen und Kabelkanäle müssen von einem zugelassenen Elektriker in Übereinstimmung mit örtlichen Bestimmungen vorgenommen werden.
 - Brandgefahr. Die Ersatzsicherungen müssen vom gleichen Typ und der gleichen Klasse sein, um weiterhin Brandschutz zu gewährleisten.
1. Trennen Sie die Stromversorgung.

2. Lösen Sie zum Öffnen der Klappe der Lichtsensorbox die Schrauben.
3. Überprüfen Sie die Sicherung mithilfe eines Multimeters.
 - Wenn die Sicherung intakt ist, fahren Sie entsprechend diesem Kapitel fort: *Auswechseln der Sicherungen in der Basiseinheit auf Seite 114.*
 - Wenn die Sicherung durchgebrannt ist, ersetzen Sie diese. Weitere Informationen finden Sie in der folgenden Tabelle.
4. Bringen Sie die Klappe an der Lichtsensorbox an.



- 1 Sicherungshalter und Sicherung
- 2 Sicherungs-LED
- 3 Potenziometer P1
- 4 Anschlussblock für die Stromversorgung
- 5 Stromversorgungskabel
- 6 Stromversorgungskabel für Schwenk-/Neigemodul (24 V AC) (vormontiert)
- 7 Signalkabel (vormontiert)

Technische Daten der Sicherung	
Spannung	Sicherung
100/120/230 V AC	T8A L 250 V

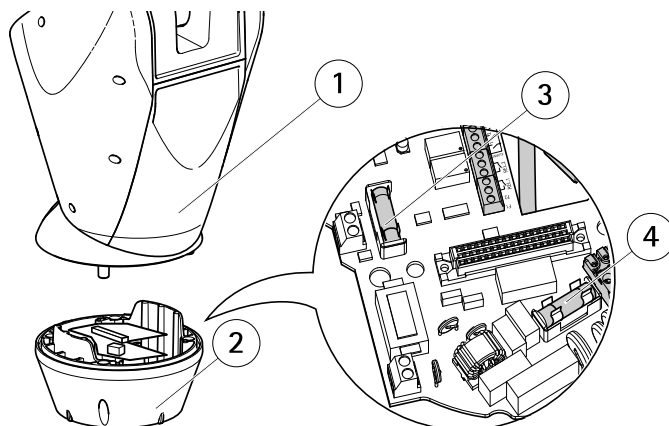
Auswechseln der Sicherungen in der Basiseinheit

▲GEFAHR

Stromschlaggefahr. Trennen Sie die Ausrüstung von der Stromversorgung, bevor Sie Arbeiten im Inneren der Basiseinheit vornehmen.

▲VORSICHT

- Die Installationen der elektrischen Verbindungen und Kabelkanäle müssen von einem zugelassenen Elektriker in Übereinstimmung mit örtlichen Bestimmungen vorgenommen werden.
 - Brandgefahr. Die Ersatzsicherungen müssen vom gleichen Typ und der gleichen Klasse sein, um weiterhin Brandschutz zu gewährleisten.
1. Trennen Sie das Schwenk-/Neigemodul von der Basiseinheit, indem Sie die vier Schrauben entfernen, siehe Abschnitt *Übersicht über die Hardware*.
 2. Überprüfen Sie die Sicherungen mithilfe eines Multimeters. Wenn die Sicherungen durchgebrannt sind, ersetzen Sie diese. Weitere Informationen finden Sie in der folgenden Tabelle.



- 1 Schwenk-/Neigemodul
- 2 Basiseinheit
- 3 Sicherung F1
- 4 Sicherung F2

Technische Daten der Sicherung

Spannung

Sicherung F1 5x20

Sicherung F2 5x20

24/100 V AC 50/60 Hz	F 6,3 A 250 V	T 8 A 250 V
120 V AC 50/60 Hz	F 6,3 A 250 V	T 4 A 250 V
230 V A C 50/60 Hz	F 6,3 A 250 V	T 2 A 250 V

3. Bringen Sie das Schwenk-/Neigemodul an der Basiseinheit an.

Weitere Informationen

Das Benutzerhandbuch finden Sie unter www.axis.com.

Unter www.axis.com/techsup finden Sie Firmware-Aktualisierungen für Ihr Netzwerkprodukt. Um die aktuell installierte Firmware-Version zu sehen, gehen Sie auf **Setup > About (Einrichten > Über)**.

Besuchen Sie das Axis-Schulungszentrum www.axis.com/academy für anregende Schulungen, Webinare, Lernprogramme und Anleitungen.

Gewährleistung

Informationen zur Gewährleistung der Axis Produkte und hierzu verbundene Informationen, finden Sie unter www.axis.com/warranty/

Informazioni di sicurezza

Leggere con attenzione questa guida all'installazione prima di installare il dispositivo. Conservare questo documento per usi futuri.

Livelli di pericolo

▲PERICOLO

Indica una situazione pericolosa che, se non evitata, provoca morte o lesioni gravi.

▲AVVERTENZA

Indica una situazione pericolosa che, se non evitata, può provocare la morte o lesioni gravi.

▲ATTENZIONE

Indica una situazione pericolosa che, se non evitata, può provocare lesioni medie o minori.

AWISO

Indica una situazione che, se non evitata, può danneggiare la proprietà.

Altri livelli di messaggio

Importante

Indica informazioni importanti, essenziali per il corretto funzionamento del dispositivo.

Nota

Indica informazioni utili che aiutano a ottenere il massimo dal dispositivo.

Informazioni di sicurezza

⚠AVVERTENZA

- Il dispositivo Axis deve essere installato da un professionista qualificato.

⚠ATTENZIONE

- Rischio di lesione. Il dispositivo deve essere installato in modo che sia accessibile solo al personale autorizzato a causa di parti in movimento durante il funzionamento.
- La scatola del fotosensore fornita con questa apparecchiatura (non valida per 24 V CA) deve essere installata in un luogo ad accesso limitato.

AVVISO

- Il dispositivo Axis deve essere utilizzato in conformità alle leggi e alle disposizioni locali.
- Conservare il dispositivo Axis in un ambiente asciutto e ventilato.
- Evitare di esporre il dispositivo Axis a urti o pressioni eccessive.
- Non installare il dispositivo su supporti, superfici o pareti instabili.
- Utilizzare solo strumenti idonei ad installare il dispositivo Axis. Se si utilizza una forza eccessiva con strumenti non adatti è possibile causare danni al dispositivo.
- Non utilizzare sostanze chimiche, agenti caustici o detergenti aerosol.
- Utilizzare un panno pulito inumidito in acqua pura per la pulizia.
- Utilizzare solo accessori compatibili con le specifiche tecniche del dispositivo. Questi possono essere forniti da Axis o da terze parti.
- Utilizzare solo parti di ricambio fornite o consigliate da Axis.
- Non tentare di riparare il dispositivo da soli. Contattare l'assistenza o il rivenditore Axis per questioni relative alla manutenzione.
- Un dispositivo di scollegamento accessibile facilmente e in tempi rapidi deve essere incorporato nel sistema elettrico dell'edificio per consentire un intervento tempestivo.
- Si tratta di un apparecchio collegato in modo permanente (campo cablato). La protezione da corto circuito e sovracorrente è prevista nell'impianto elettrico dell'edificio e deve non deve superare i 20 A.

Trasporto

AVVISO

- Durante il trasporto del dispositivo Axis, utilizzare l'imballaggio originale o equivalente per evitare danni al dispositivo.

Batteria

Il prodotto Axis utilizza una batteria al litio da 3,0 V BR/CR2032 come alimentazione per il suo orologio interno (RTC). In condizioni normali questa batteria avrà una durata minima di cinque anni.

Una bassa carica della batteria influisce sul funzionamento del RTC, facendolo resettare a ogni accensione. Quando la batteria deve essere sostituita, un messaggio di registro viene visualizzato nel server report del prodotto. Per ulteriori informazioni sul report server, vedere le pagine di configurazione del prodotto o contattare l'assistenza Axis.

La batteria non deve essere sostituita se non richiesto, ma nel caso in cui questo fosse necessario, contattare il supporto Axis all'indirizzo www.axis.com/techsup per assistenza.

⚠AVVERTENZA

- Rischio di esplosione se la batteria viene sostituita in modo errato.
- Sostituire solo con una batteria identica o una batteria consigliata da Axis.
- Smaltire le batterie usate in base alle normative locali o alle istruzioni del produttore della batteria.

Guida all'installazione

La presente guida all'installazione fornisce le istruzioni necessarie per installare la telecamera di rete AXIS Q8665-LE PTZ nella rete in uso. Per ulteriori informazioni sull'utilizzo del dispositivo, consultare la guida per l'utente disponibile all'indirizzo www.axis.com

Varianti dispositivo

Dispositivo	Variante alimentazione
AXIS Q8665-LE	24 V CA
	100 V CA
	120 V CA
	230 V CA

Procedura di installazione

1. Assicurarsi che il contenuto della confezione, gli strumenti e altri materiali necessari per l'installazione siano in ordine. Consultare *pagina 121*.
2. Studiare la descrizione dell'hardware. Consultare *pagina 123*.
3. Studiare le specifiche. Consultare *pagina 130*.
4. Installazione dell'hardware. Consultare *pagina 132*.
5. Accedere al prodotto. Consultare *pagina 147*.

Contenuto della confezione

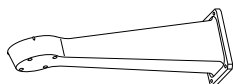
- AXIS Q8665-LE
 - Telecamera di rete PTZ
 - Unità base
 - Parasole
- Kit illuminatore IR
 - 2 illuminatori
 - Staffa
 - Viti
- Scatola del fotosensore premontata con 10 m di cavi di segnale e di alimentazione per la connessione all'unità principale (protetti da tubo protettivo)
Non valido per la variante AXIS Q8665-LE 24 V CA.
- Attrezzature ausiliarie per l'installazione

AXIS Q8665-LE PTZ Network Camera

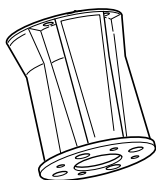
- CD del software di gestione e installazione
- Materiali stampati
 - Guida all'installazione (questo documento)
 - Etichetta aggiuntiva con numero di serie (2x)

Elementi hardware (venduti separatamente)

- Staffa a parete K AXIS o staffa per colonna K AXIS

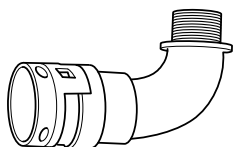


Staffa a parete K AXIS

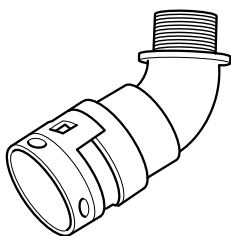


Staffa per colonna K AXIS

- Tubo protettivo a muro o tubo protettivo a colonna



Tubo protettivo a muro



Tubo protettivo a colonna

Accessori opzionali

- Staffa angolare AXIS T95A64
- Staffa per palo AXIS T95A67
- Kit rondella AXIS A
- Switch Media Converter AXIS T8604
- AXIS T8640 Ethernet over Coax Adaptor PoE+

Per informazioni sugli accessori disponibili, visitare il sito Web www.axis.com

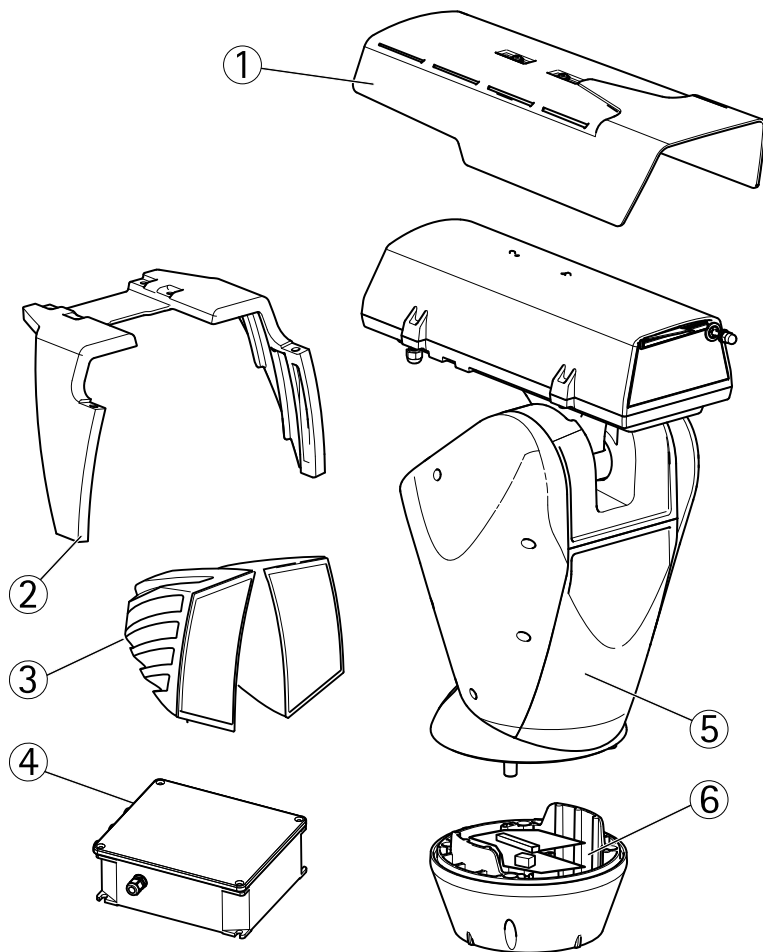
Strumenti consigliati

- Attrezzo di piegatura RJ45
- Set di arpionismi
- Trapano per praticare fori nella superficie di montaggio
- Frenafilietti Loctite® 243

Panoramica dell'hardware

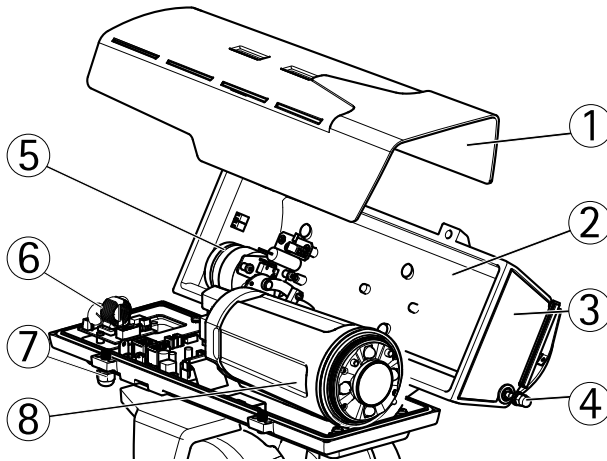
- Per una panoramica dell'unità alloggiamento, vedere *Custodia alla pagina 125*
- Per una panoramica dei pulsanti e dei connettori della telecamera, vedere *Unità telecamera alla pagina 126*
- Per una panoramica degli illuminatori, vedere *pagina 126*
- Per una panoramica della scatola del fotosensore, vedere *pagina 127*

AXIS Q8665-LE PTZ Network Camera



- 1 *Parasole*
- 2 *Staffa illuminatori*
- 3 *Illuminatori*
- 4 *Scatola del fotosensore (non valida per AXIS Q8665-LE 24 V CA)*
- 5 *Telecamera di rete PTZ*
- 6 *Unità base*

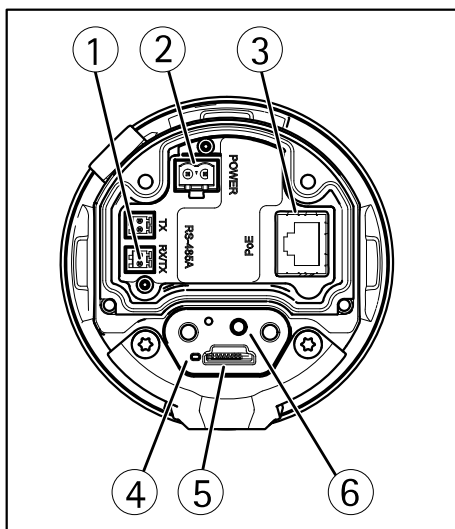
Custodia



- 1 *Parasole*
- 2 *Coperchio superiore*
- 3 *Finestra di protezione*
- 4 *Tergicristallo*
- 5 *Motore del tergicristallo*
- 6 *Scheda elettronica dell'illuminatore*
- 7 *Premistoppa dell'illuminatore*
- 8 *Unità telecamera*

AXIS Q8665-LE PTZ Network Camera

Unità telecamera

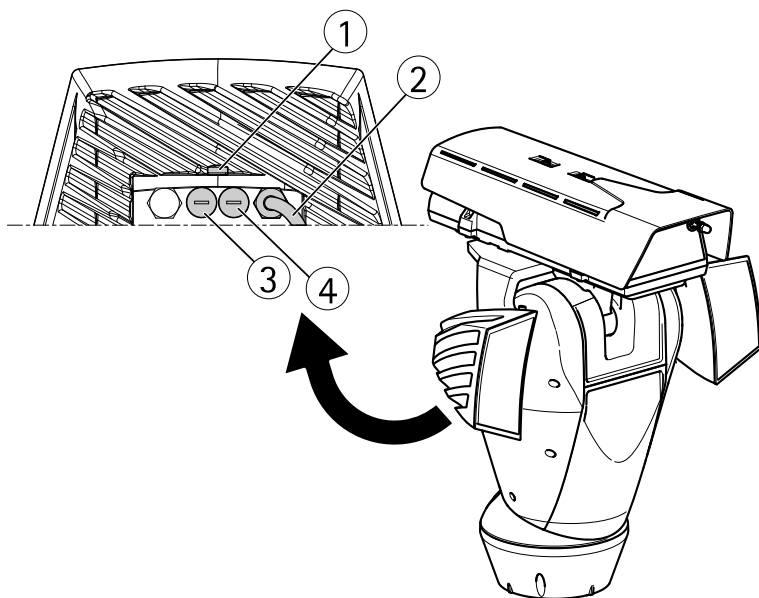


- 1 Connettore RS485/RS422
- 2 Connettore di alimentazione
- 3 Connettore di rete
- 4 Indicatore LED di stato
- 5 Slot per scheda di memoria microSD
- 6 Pulsante di comando

Illuminatore IR

Importante

Non cambiare la posizione del regolatore di soglia di accensione.

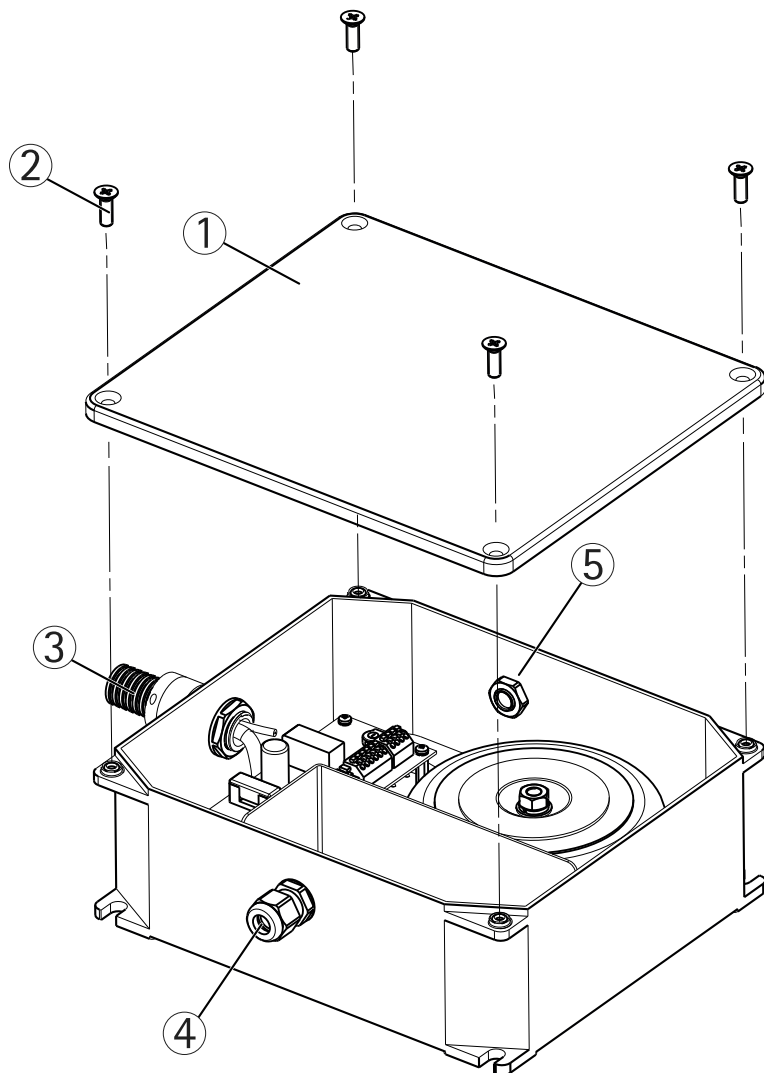


- 1 *Sensore crepuscolare*
- 2 *Cavo*
- 3 *Regolatore di soglia di accensione*
- 4 *Controllo della potenza infrarossi*

Scatola del fotosensore

La scatola del fotosensore non è valida per AXIS Q8665-LE 24 V CA.

AXIS Q8665-LE PTZ Network Camera



- 1 Coperchio
- 2 Vite (4x)
- 3 Tubo protettivo (cavi di segnale, terra e alimentazione inclusi)
- 4 Premistoppa (alimentazione di rete in ingresso)
- 5 Sensore diurno/notturno

Connettori e pulsanti

Per le specifiche e le condizioni di funzionamento, consultare *pagina 130*.

Connettore di rete

Connettore Ethernet RJ45.

AWISO

Collegare il dispositivo con un cavo di rete schermato (STP). Tutti i cavi che collegano il dispositivo alla rete sono destinati al loro uso specifico. Accertarsi che i dispositivi di rete siano installati secondo le istruzioni del produttore. Per maggiori informazioni sui requisiti normativi, consultare *Electromagnetic Compatibility (EMC) on page 2*.

Pulsante di comando

Per l'ubicazione del pulsante di comando, vedere *Panoramica dell'hardware alla pagina 123*.

Il pulsante di comando viene utilizzato per:

- Ripristino del prodotto alle impostazioni predefinite di fabbrica. Consultare *pagina 150*.
- Collegamento a un servizio AXIS Video Hosting System o AXIS Internet Dynamic DNS Service. Per ulteriori informazioni su questi servizi, consultare il Manuale Utente.

Slot per scheda SD

AWISO

- Rischio di danni alla scheda SD. Non utilizzare strumenti appuntiti e non esercitare eccessiva forza durante l'inserimento o la rimozione della scheda SD.
- Rischio di perdita di dati. Per prevenire il danneggiamento dei dati, la scheda SD deve essere scollegata prima della rimozione. Per scollegare, andare a **Setup > System Options > Storage > SD Card (Configurazione > Opzioni di sistema > Archiviazione > Scheda SD)** e fare clic su **Unmount (Smonta)**.

Questo dispositivo supporta schede microSD/microSDHC/microSDXC (scheda di memoria non inclusa).

Per i consigli sulla scheda SD, visitare il sito Web www.axis.com.

AXIS Q8665-LE PTZ Network Camera

Dati tecnici

Condizioni di funzionamento

Dispositivo	Classificazione	Temperatura	Umidità
AXIS Q8665-LE	IEC/EN/UL 60529 IP66. NEMA 250 Tipo 4X	Da -40 °C a 55 °C (da -40 °F a 131 °F)	Da 15 a 100% RH (con condensa)

Sghiacciamento

La procedura automatica di sghiacciamento del dispositivo comincia quando l'apparato viene acceso e la temperatura ambientale è inferiore a 0 °C (32 °F). La procedura di sghiacciamento assicura che il dispositivo funzioni correttamente anche a basse temperature. Il tempo di sghiacciamento dura 90 minuti al massimo e durante questo periodo la telecamera è spenta.

Alimentazione

Consumo energetico	IR attivi	IR inattivi
AXIS Q8665-LE	Massimo: 113 W Tipico: 94 W	Massimo: 55 W Tipico: 40 W

Unità	Tensione in ingresso
Unità base	24 V CA, 8 A
Scatola del fotosensore	100 V CA, 200 W 120 V CA, 200 W 230 V CA, 200 W

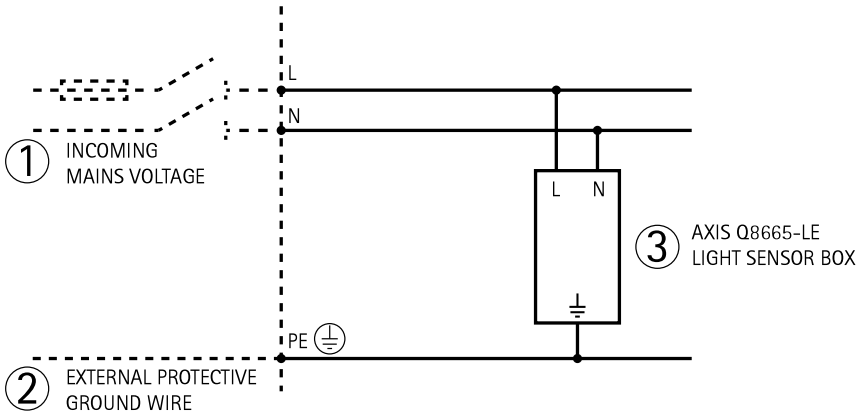
Importante

- Per ridurre il rischio di incendio, utilizzare il cavo per telecomunicazioni con certificazione CSA o classificato "UL Listed".
- Per mantenere la classificazione IP della scatola del fotosensore, il diametro esterno dei cavi deve essere di 7 mm. Il cavo di alimentazione tra l'unità rotazione/inclinazione e la scatola del fotosensore deve essere lungo massimo 10 m (33 piedi).

Cavo di alimentazione	Variante	Numero di cavi	Area dei cavi
Cavo di alimentazione di rete	24 V CA		
Cavo di alimentazione di rete per la scatola del fotosensore	100 V CA 120 V CA 230 V CA	3 (L, N, PE)	Da 3,3 mm ² (AWG 12) a 2,1 mm ² (AWG 14)

Scatola del fotosensore

Schema delle connessioni



Specifiche dell'illuminatore IR

Nota

Le distanze e le prestazioni dipendono dalla scena e dalle condizioni di illuminazione ambientale.

Schema del fascio luminoso orizzontale e verticale	Distanza massima (850 nm)
60°	Fino a 150 m (490 piedi)

Per illuminare adeguatamente la scena, regolare l'angolo degli illuminatori in base al campo visivo della telecamera (vedere *Installare gli illuminatori IR alla pagina 142*).

Installazione dell'Hardware

Scatola del fotosensore

Collegare i cavi

Istruzioni non valide per AXIS Q8665–LE 24 V CA.

▲AVVERTENZA

- Le connessioni elettriche e l'installazione dei tubi protettivi devono essere effettuate da un elettricista certificato e in conformità alle normative locali.
- Rischio di scosse elettriche. Il dispositivo deve essere collegato a terra utilizzando un cavo di messa a terra. Assicurarsi che entrambe le estremità del cavo di messa a terra siano in contatto con le rispettive superfici di messa a terra.
- L'alimentazione di rete deve essere scollegata durante l'installazione.

AWISO

Utilizzare l'alimentatore specifico del dispositivo. L'uso di un altro alimentatore annulla la garanzia e costituisce un rischio per l'unità.

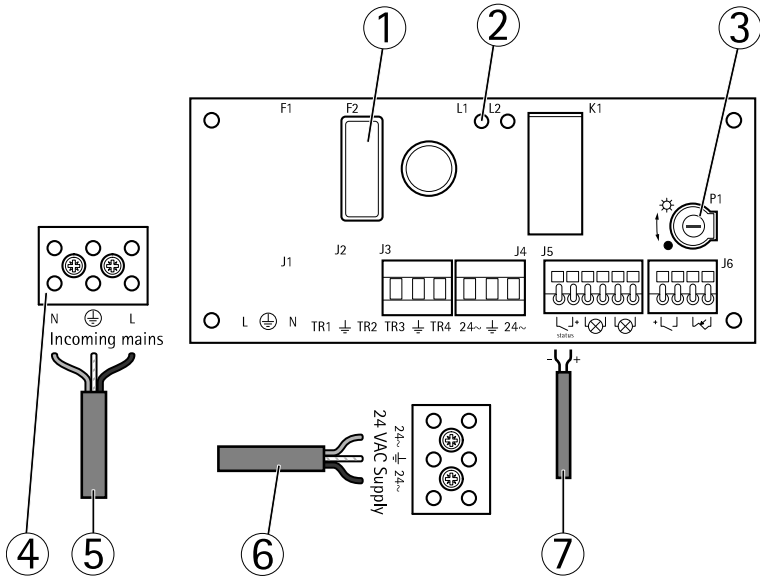
Nota

- Il cavo di terra deve essere circa 10 mm più lungo degli altri due cavi, per evitare lo scollegamento accidentale.
 - Se si utilizza un sensore diurno/notturno, sistemare la scatola del fotosensore in modo che il sensore diurno/notturno possa rilevare i cambiamenti di luce diurna.
1. Rimuovere il coperchio e aprire la scatola del fotosensore (vedere la panoramica dell'hardware in *pagina 127*).

Nota

Per facilitare l'installazione, è possibile rimuovere la morsettiera e rimontarla quando i cavi sono stati collegati.

2. Collegare i cavi di alimentazione di rete alla morsettiera di alimentazione di rete.



- 1 Supporto fusibile e fusibile (T8A L 250 V)
- 2 LED fusibile
- 3 Potenzimetro P1
- 4 Connettore della morsettiera di alimentazione di rete
- 5 Cavo di alimentazione di rete
- 6 Cavo di alimentazione dell'unità rotazione/inclinazione (24 V CA) (premontato)
- 7 Cavo di segnale (premontato)

3. Serrare saldamente il cappuccio del premistoppa.
4. Se necessario, regolare il potenziometro P1 per aumentare o diminuire la sensibilità del sensore diurno/notturno (vedere *Regolare il sensore diurno/notturno alla pagina 133*).
5. Chiudere la scatola del fotosensore e serrare le viti.

Regolare il sensore diurno/notturno

Nota

Il sensore diurno/notturno incorporato della telecamera è attivato per impostazione predefinita. Per utilizzare il sensore diurno/notturno sulla scatola del fotosensore, è necessario attivarlo dalla pagina delle impostazioni del dispositivo.

Se si utilizza il sensore diurno/notturno sulla scatola del fotosensore, regolare il potenziometro per adattarlo alle condizioni specifiche in loco.

AXIS Q8665-LE PTZ Network Camera

- Ruotare il potenziometro in senso orario per aumentare la soglia e anticipare l'interruttore in modalità notturna.
- Ruotare il potenziometro in senso antiorario per ridurre la soglia e ritardare l'interruttore in modalità notturna. La modalità notturna è indicata da un indicatore LED rosso sulla scheda. L'interruttore in modalità notturna metterà in funzione gli illuminatori.

Installare la staffa (venduta separatamente)

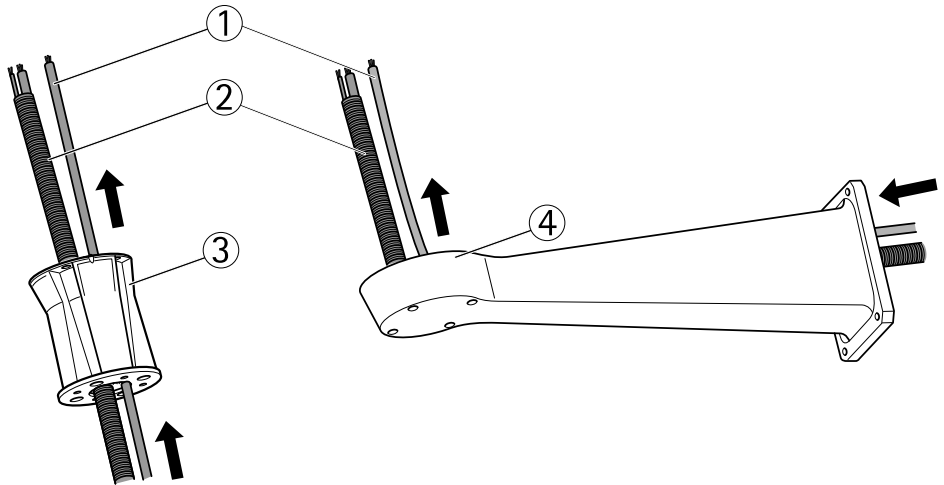
Le staffe sono vendute separatamente. Visitare il sito Web www.axis.com per informazioni sugli accessori di montaggio disponibili.

⚠AVVERTENZA

Rischio di lesione. Accertarsi che il dispositivo sia fissato alla superficie dell'edificio prima del funzionamento.

Importante

- Quando si fissa la staffa ad una superficie in cemento, utilizzare tasselli con una coppia di trazione nominale di ≤ 300 dN.
 - Quando si fissa la staffa ad una superficie di metallo, utilizzare viti con un diametro di 8 mm.
1. Preparare una parete, un parapetto o un palo per l'installazione dell'apposita staffa.
 2. Far passare il cavo di rete e il cavo del tubo protettivo attraverso la staffa. Lasciare una lunghezza di cavo di 50 cm (12 pollici) per la connessione all'unità base.



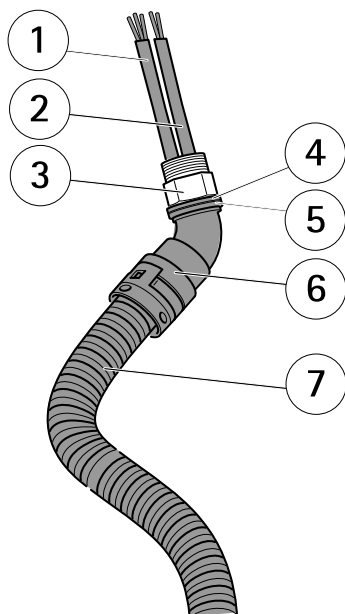
- 1 Cavo di rete
- 2 Cavo del tubo protettivo con cavi di segnale e di alimentazione
- 3 Staffa per colonna
- 4 Staffa a parete

Fissare l'unità base alla staffa

AVVERTENZA

Le connessioni elettriche e l'installazione dei tubi protettivi devono essere effettuate da un elettricista certificato e in conformità alle normative locali.

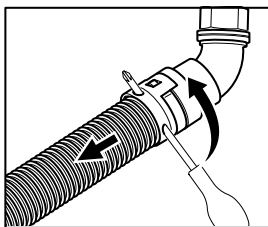
1. Togliere il sacchetto dell'essiccante che si trova nell'unità base.
2. Fissare il tubo protettivo al cavo del tubo protettivo.
3. Fissare due rondelle e il dado al tubo protettivo.



- 1 *Cavo di alimentazione*
- 2 *Cavo di segnale*
- 3 *Dado di fissaggio*
- 4 *Rondella*
- 5 *Rondella*
- 6 *Tubo protettivo*
- 7 *Cavo del tubo protettivo*

Nota

Per liberare il tubo protettivo dal cavo, inserire un cacciavite e girare il tubo protettivo mentre viene tirato.



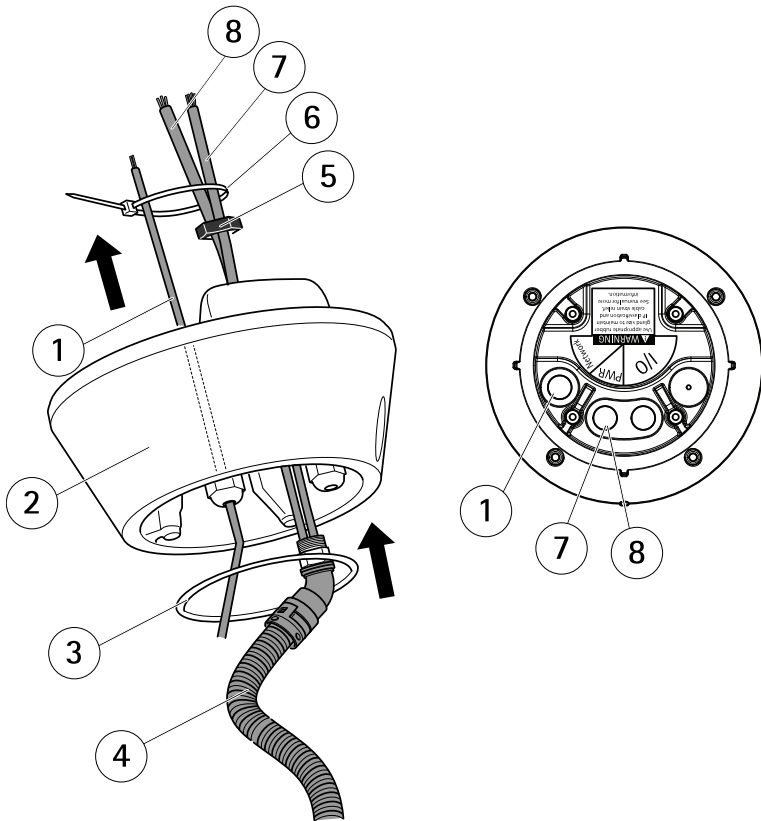
- 4. Assicurarsi che la tenuta sia in posizione.

5. Inserire i cavi di segnale e di potenza attraverso il pressacavo come indicato nell'illustrazione.
6. Fissare il dado di fissaggio al tubo protettivo.
7. Inserire il cavo di rete attraverso il pressacavo come indicato nell'illustrazione.

AVVISO

Per mantenere la classificazione IP del dispositivo e ridurre la tensione dei cavi, assicurarsi di serrare i pressacavi.

8. Per evitare che i cavi scivolino, serrare i pressacavi dopo averne inserito i cavi passanti.
9. Applicare una fascetta per assicurare i cavi.



- 1 Cavo di rete
- 2 Unità base
- 3 Tenuta

AXIS Q8665–LE PTZ Network Camera

- 4 *Cavo del tubo protettivo*
- 5 *Dado di fissaggio*
- 6 *Fascetta*
- 7 *Cavo di segnale*
- 8 *Cavo di alimentazione*

Importante

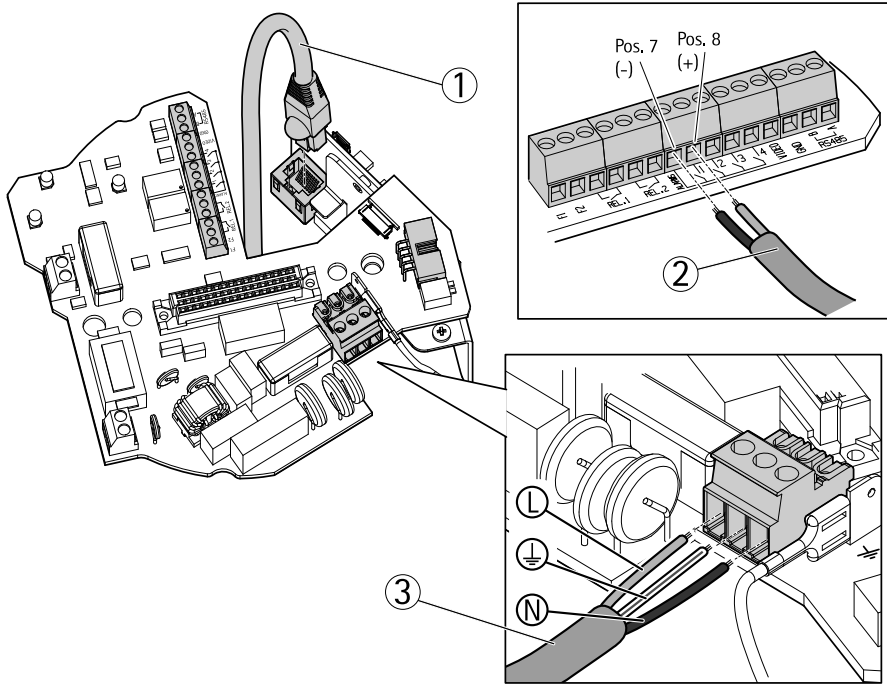
I dip switch nell'unità base sono configurati con il corretto protocollo PTZ in fabbrica e non devono essere cambiati.

- 10. Collegare il cavo di segnale dell'illuminatore al connettore (ALLARMI e 1) sull'unità base.
- 11. Servendosi di un attrezzo di piegatura RJ45, spellare e piegare il cavo di rete in base alle istruzioni del costruttore.
- 12. Collegare il cavo di rete al connettore di rete sull'unità base.

Nota

Per facilitare l'installazione, è possibile rimuovere la morsettiera di alimentazione dalla scheda elettronica e rimontarla quando i cavi sono stati correttamente collegati.

- 13. Collegare il cavo di alimentazione al connettore di alimentazione sull'unità base. Assicurarsi che il cavo di terra giallo/verde sia collegato al perno centrale.

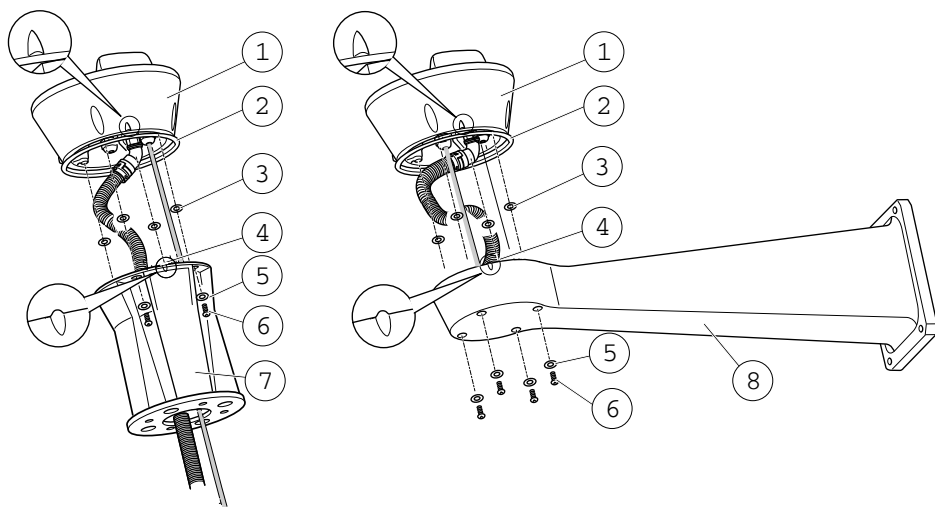


- 1 Cavo di rete
- 2 Cavi di segnale
- 3 Cavi di alimentazione

Nota

L'unità base può essere fissata alla staffa in quattro diverse posizioni.

- 14. Utilizzare gli indicatori di allineamento per trovare una posizione adatta che consenta l'accesso alla scheda di configurazione, che può essere aperta per semplificare l'accesso al connettore di rete, durante ad esempio l'individuazione e risoluzione dei problemi.
- 15. Se dopo averli collegati i cavi risultano lenti, allentare i pressacavi, rimuovere la lentezza e ricollegare i pressacavi.
- 16. Fissare l'unità base alla staffa utilizzando le viti e le rondelle.
- 17. Applicare il frenafilietti Loctite® 243 sulle viti e stringere le viti (coppia 4 Nm).



- 1 *Unità base*
- 2 *Tenuta*
- 3 *Rondella (4x)*
- 4 *Indicatore di allineamento*
- 5 *Rondella (4x)*
- 6 *Vite (4x)*
- 7 *Staffa per colonna*
- 8 *Staffa a parete*

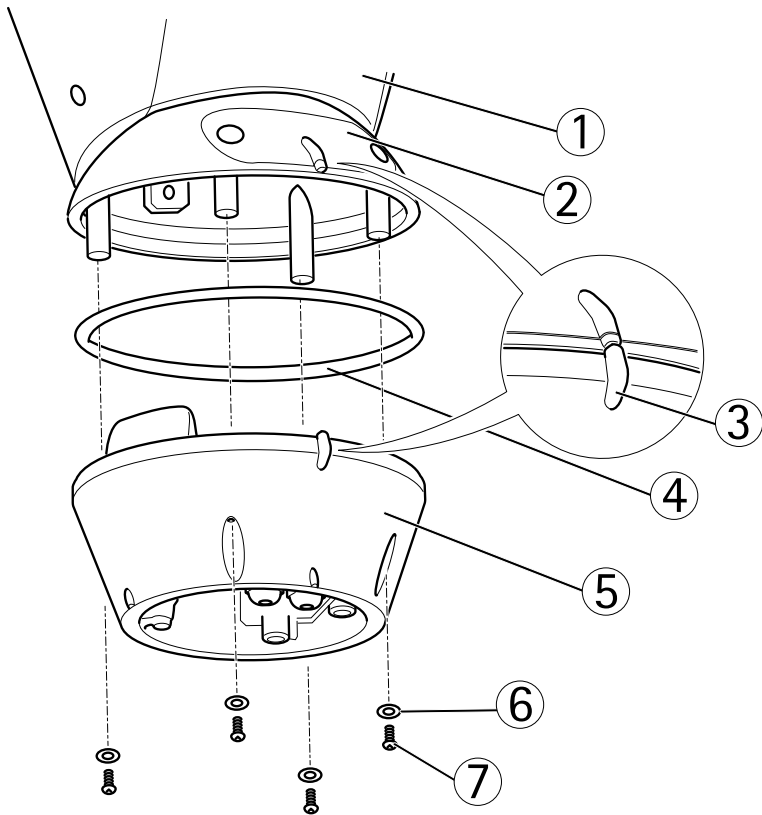
Collegare l'unità rotazione/inclinazione all'unità base

AVVISO

Utilizzare gli appositi indicatori per allineare le unità. L'errato allineamento potrebbe causare il danneggiamento dei componenti.

Importante

- Assemblare il dispositivo in posizione verticale. Attenzione a non installarlo capovolto.
 - Assicurarsi che l'unità rotazione/inclinazione sia collegata direttamente da sopra come mostrato nell'illustrazione. Non inclinarla sull'unità base.
1. Assicurarsi che la tenuta sia in posizione.
 2. Inclinare nuovamente l'alloggiamento della telecamera.
 3. Collegare l'unità rotazione/inclinazione all'unità base e serrare le viti (coppia 4 Nm) utilizzando la chiave Allen fornita.



- 1 Unità rotazione/inclinazione
- 2 Coperchio scheda di configurazione
- 3 Indicatori di allineamento
- 4 Tenuta
- 5 Base
- 6 Rondella (4x)
- 7 Vite (4x)

4. L'installazione meccanica è completata. Per accedere all'unità telecamera, vedere la sezione *Accedere al prodotto alla pagina 147*. Per informazioni su come accedere al flusso video, consultare anche la Guida per l'utente del dispositivo.

Installare gli illuminatori IR

⚠AVVERTENZA

- Emissione di luce a infrarossi (gruppo di rischio 2) che può essere dannosa per gli occhi. Prestare attenzione alle indicazioni fornite. Evitare di guardare a lungo oppure utilizzare adeguate protezioni per gli occhi.
- Rischio di scosse elettriche. Assicurarsi che l'alimentazione sia scollegata.

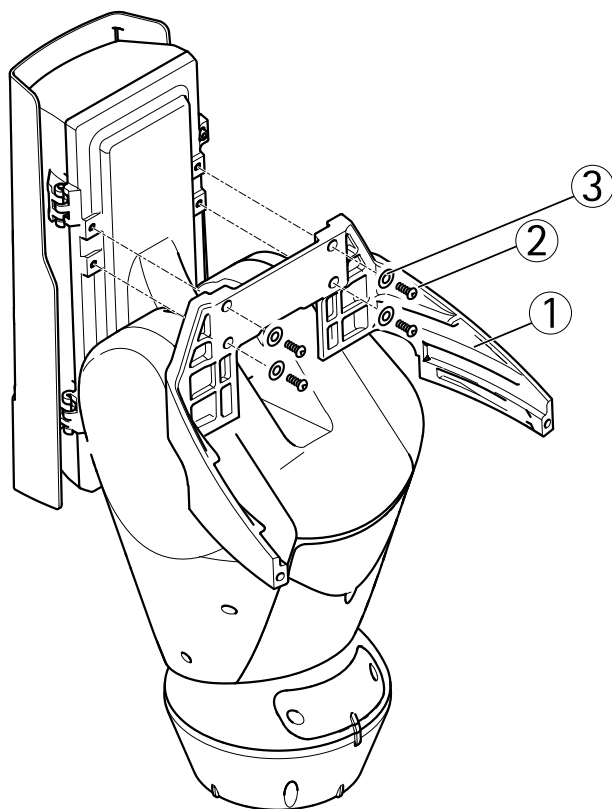
⚠ATTENZIONE

Durante il normale funzionamento, la superficie dell'illuminatore può raggiungere temperature elevate. Evitare il contatto diretto e posizionare l'apparecchio in un luogo inaccessibile a persone non autorizzate. Prima di toccare, spegnere l'illuminatore e lasciarlo raffreddare per almeno 10 minuti.

Importante

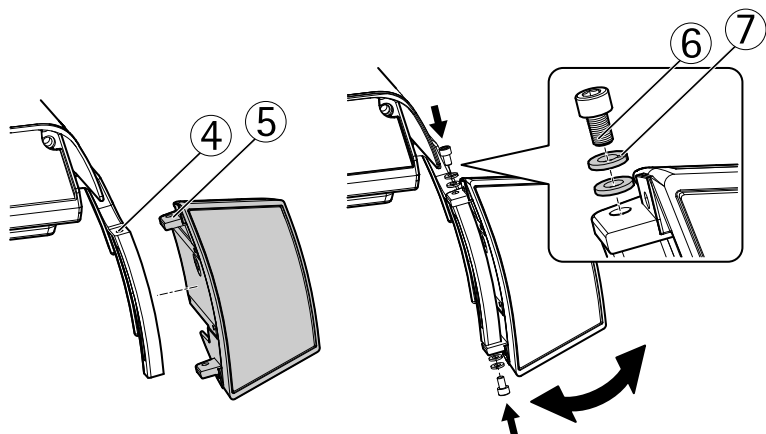
Per funzionare correttamente gli illuminatori devono essere installati insieme.

1. Posizionare la staffa nella parte inferiore dell'alloggiamento.
2. Posizionare le viti e le rondelle nei fori e serrarle (coppia 4 Nm). Assicurarsi che la staffa sia fissata saldamente.



- 1 Staffa
- 2 Vite
- 3 Rondella

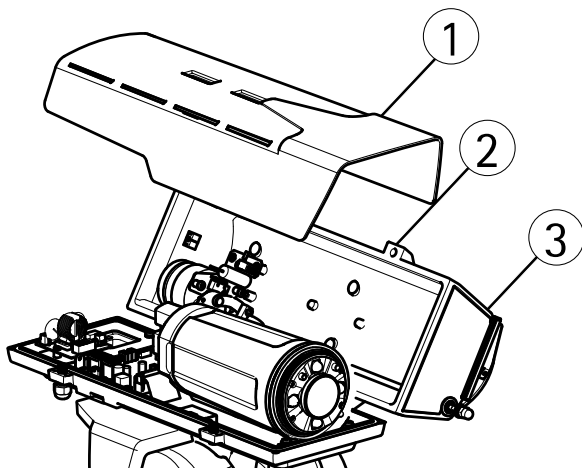
3. Far scorrere l'illuminatore sui fissaggi della staffa superiore e inferiore.
4. Regolare l'angolazione degli illuminatori per adattarli all'ambiente.
5. Fissare le viti e le rondelle (coppia 6 Nm).



- 4 Fissaggio della staffa
- 5 Fissaggio dell'illuminatore
- 6 Vite
- 7 Rondelle

Collegare gli illuminatori IR

1. Rimuovere le due viti e la copertura superiore dell'alloggiamento.



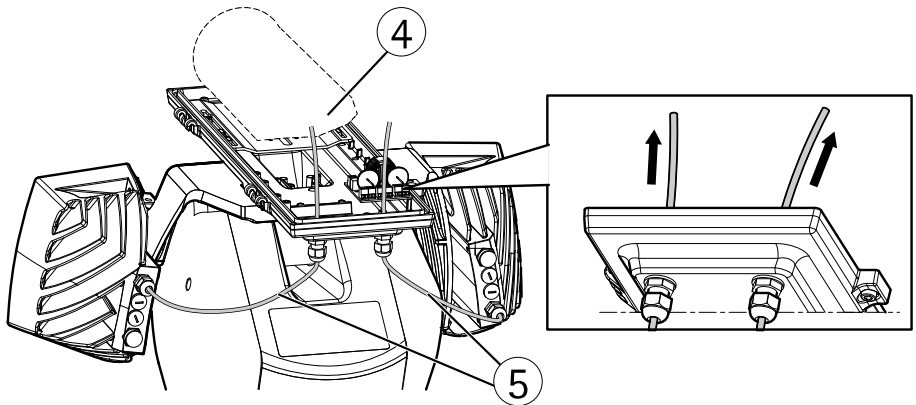
- 1 Parasole
- 2 Vite

3 Coperchio superiore

Importante

Per garantire la sicurezza e il corretto funzionamento dell'unità, non lasciare un eccesso di cavi all'esterno.

2. Infilare i cavi attraverso l'alloggiamento. Lasciare una lunghezza di cavo di 25 cm (10 pollici).



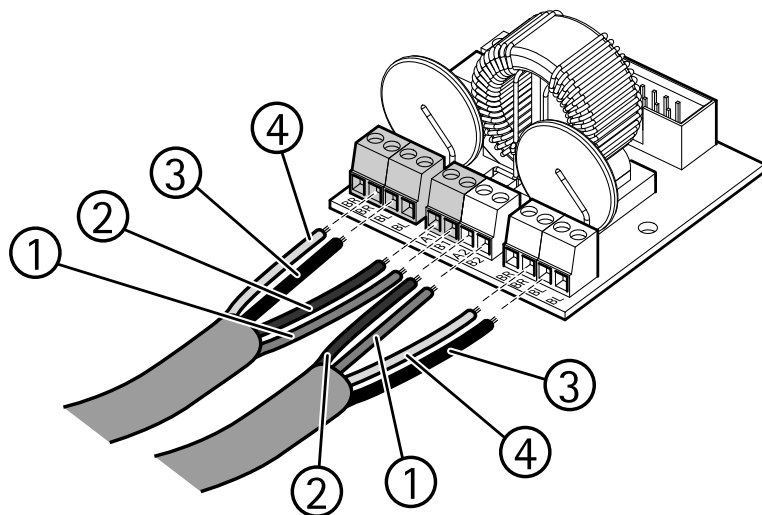
- 4 Coperchio superiore
- 5 Cavi

3. Collegare i cavi come indicato nell'illustrazione.

Nota

Fare attenzione a non schiacciare i cavi durante la chiusura dell'alloggiamento.

4. Chiudere l'alloggiamento e fissare le due viti.



Vedere la tabella per le posizioni dei cavi.

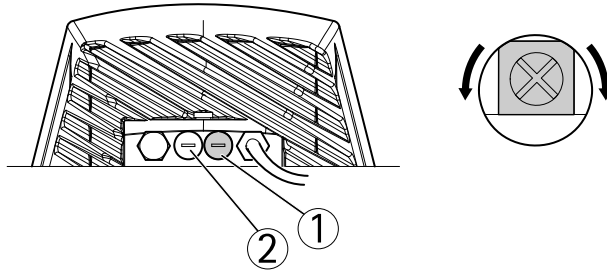
Posizione nell'illustrazione	Illuminatore sinistro		Illuminatore destro	
	Riferimento sulla scheda	Colore del cavo	Riferimento sulla scheda	Colore del cavo
4	WH	Bianco o giallo	WH	Bianco o giallo
3	BK	Nero	BK	Nero
2	A1	Verde o blu	A2	Verde o blu
1	B1	Rosso	B2	Rosso

Regolare la potenza dell'illuminatore IR

Importante

Non cambiare la posizione del regolatore di soglia di accensione.

- Per regolare la potenza dell'illuminatore IR, allentare la spina ermetica.
 - Regolare il controllo della potenza IR in senso orario per aumentare la potenza.
 - Regolare il controllo della potenza IR in senso antiorario per diminuire la potenza.



- 1 *Controllo della potenza IR*
- 2 *Regolatore di soglia di accensione*

Accedere al prodotto

Utilizzare le utility contenute nel CD del software d'installazione e configurazione per assegnare un indirizzo IP, impostare la password ed accedere al flusso video. Queste informazioni sono disponibili anche sulle pagine dedicate all'assistenza sul sito www.axis.com/techsup/

Rotazione/inclinazione/zoom

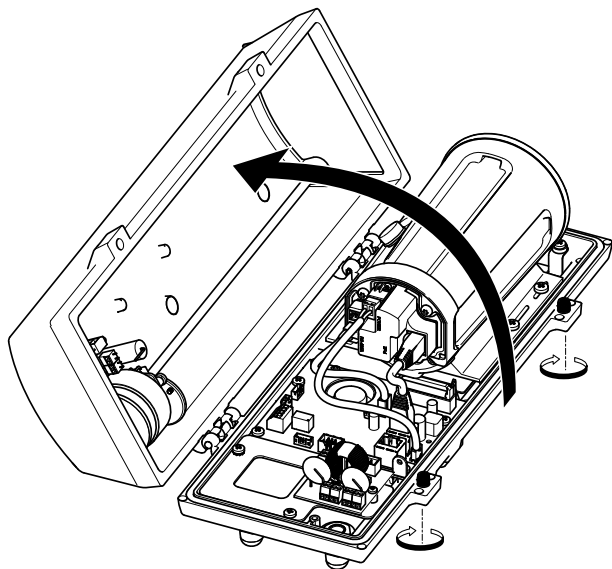
ATTENZIONE

Parti in movimento pericolose. Tenere le dita e le altre parti del corpo a distanza dal dispositivo durante il funzionamento.

La funzione di rotazione/inclinazione/zoom (PTZ) è controllata dalla telecamera di rete. I controlli PTZ saranno disponibili nella pagina Live View delle pagine Web della telecamera di rete dopo aver attivato la funzione PTZ. Consultare la Guida per l'utente disponibile all'indirizzo www.axis.com

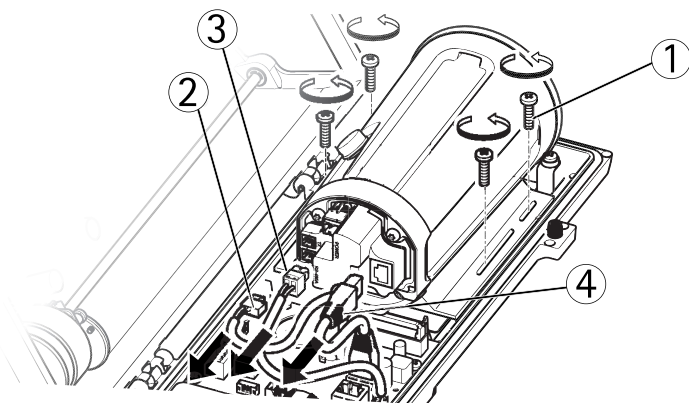
Accedere all'unità telecamera

Per accedere all'unità telecamera per montare la scheda SD o reimpostare la telecamera sulle impostazioni originali predefinite in fabbrica, rimuovere le due viti e aprire la copertura superiore.



Montare la scheda SD

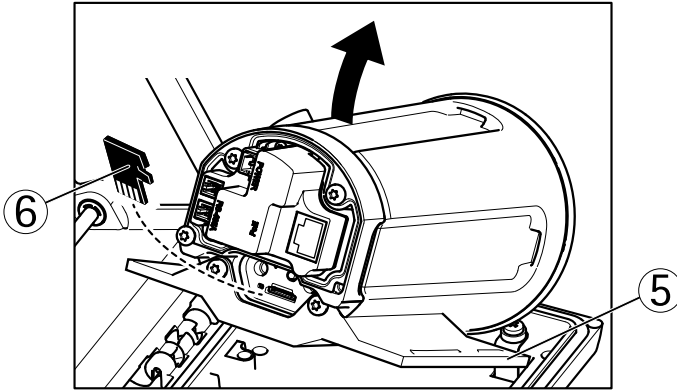
1. Rimuovere il cavo di alimentazione, il cavo di rete e il cavo RX/TX.
2. Rimuovere le quattro viti.



- 1 Vite
- 2 Cavo di alimentazione
- 3 Cavo RX/TX

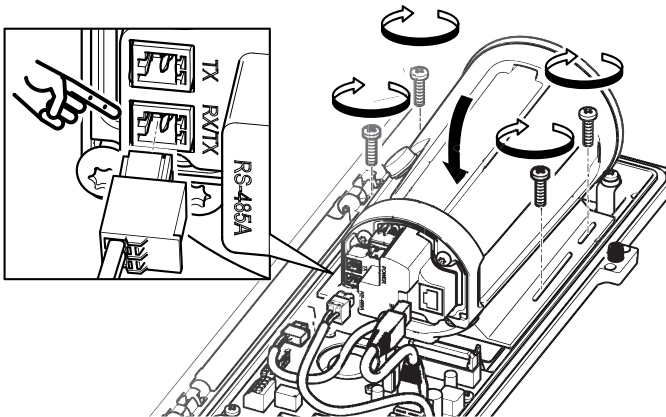
4 Cavo di rete

3. Sollevare la telecamera insieme alla staffa e inserire la scheda SD.



- 5 Staffa
- 6 Scheda SD

4. Collegare i cavi e fissare le quattro viti.



Ripristino dei valori predefiniti di fabbrica

Importante

Il ripristino delle impostazioni di fabbrica deve essere usato con cautela. Un ripristino delle impostazioni di fabbrica consentirà di ripristinare le impostazioni di fabbrica per tutti i parametri, incluso l'indirizzo IP.

Nota

Gli strumenti per l'installazione e la gestione del software sono disponibili sul CD fornito con il dispositivo e sulle pagine dedicate all'assistenza sul sito Web www.axis.com/techsup.

Per ripristinare il dispositivo alle impostazioni predefinite di fabbrica:

1. Scollegare l'alimentazione dal dispositivo.
2. Tenere premuto il pulsante di controllo e ricollegare l'alimentazione. Vedere *Panoramica dell'hardware alla pagina 123*.
3. Tenere premuto il pulsante di controllo per 15-30 secondi circa fino a quando l'indicatore LED di stato lampeggerà in giallo.
4. Rilasciare il pulsante di comando. Il processo è completo quando il LED di stato diventerà verde. Il dispositivo è stato reimpostato alle impostazioni di fabbrica predefinite. Se nessun server DHCP è disponibile in rete, l'indirizzo IP predefinito è 192.168.0.90.
5. Mediante gli strumenti per l'installazione e la gestione del software, assegnare un indirizzo IP, impostare la password e accedere al flusso video.

È anche possibile reimpostare i parametri alle impostazioni predefinite di fabbrica mediante l'interfaccia Web. Andare a **Setup > System Options > Maintenance (Configurazione > Opzioni di sistema > Manutenzione)**.

Cambiare il fusibile nella scatola del fotosensore

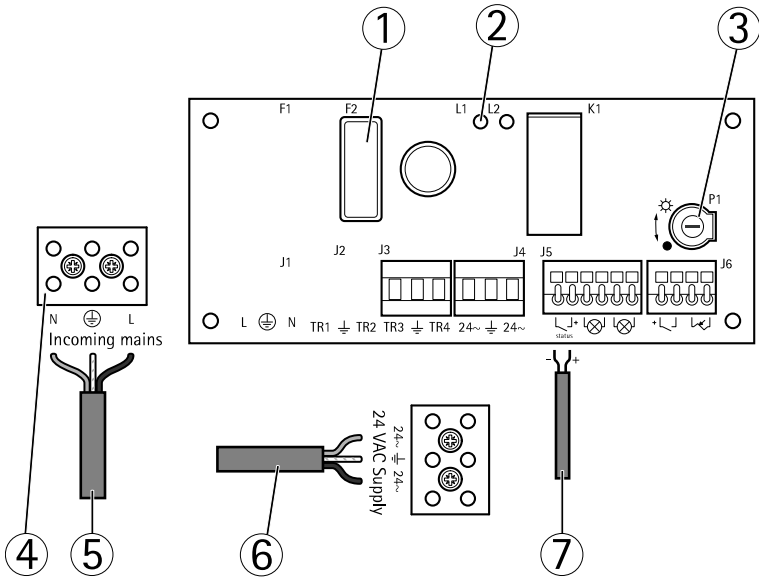
▲PERICOLO

Rischio di scosse elettriche. Scollegare l'alimentazione dall'attrezzatura prima di lavorare all'interno del pannello.

▲ATTENZIONE

- Le connessioni elettriche e l'installazione dei tubi protettivi devono essere effettuate da un elettricista certificato e in conformità alle normative locali.
 - Rischio di incendio. Per una protezione continua dal rischio di incendio, i fusibili devono essere sostituiti con elementi di stessa classe e tipo.
1. Scollegare l'alimentatore.
 2. Aprire il coperchio della scatola del fotosensore rimuovendo le viti.

3. Controllare il fusibile con un multimetro.
 - Se il fusibile è integro, passare a *Cambiare i fusibili nell'unità base alla pagina 152.*
 - Se il fusibile è bruciato, cambiarlo. Vedere la tabella seguente.
4. Fissare il coperchio sulla scatola del fotosensore.



- 1 *Supporto fusibile e fusibile*
- 2 *LED fusibile*
- 3 *Potenzimetro P1*
- 4 *Connettore della morsettiere di alimentazione di rete*
- 5 *Cavo di alimentazione di rete*
- 6 *Cavo di alimentazione dell'unità rotazione/inclinazione (24 V CA) (premontato)*
- 7 *Cavo di segnale (premontato)*

Specifiche del fusibile	
Tensione	Fusibile
100/120/230 V CA	T8A L 250 V

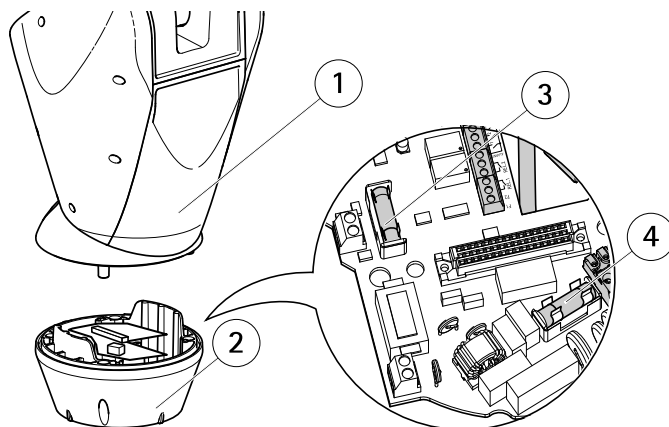
Cambiare i fusibili nell'unità base

▲PERICOLO

Rischio di scosse elettriche. Scollegare l'alimentazione dall'attrezzatura prima di lavorare all'interno dell'unità base.

▲ATTENZIONE

- Le connessioni elettriche e l'installazione dei tubi protettivi devono essere effettuate da un elettricista certificato e in conformità alle normative locali.
 - Rischio di incendio. Per una protezione continua dal rischio di incendio, i fusibili devono essere sostituiti con elementi di stessa classe e tipo.
1. Separare l'unità rotazione/inclinazione dall'unità base rimuovendo le quattro viti (vedere la sezione *Panoramica dell'hardware*).
 2. Controllare i fusibili con un multimetro. Se i fusibili sono bruciati, cambiarli. Vedere la tabella seguente.



- 1 *Unità rotazione/inclinazione*
- 2 *Unità base*
- 3 *Fusibile F1*
- 4 *Fusibile F2*

Specifiche del fusibile		
Tensione	Fusibile F1 5x20	Fusibile F2 5x20
24/100 V CA 50/60 Hz	F 6,3 A 250 V	T 8 A 250 V

120 V CA 50/60 Hz	F 6,3 A 250 V	T 4 A 250 V
230 V CA 50/60 Hz	F 6,3 A 250 V	T 2 A 250 V

3. Collegare l'unità rotazione/inclinazione all'unità base.

Ulteriori Informazioni

Il Manuale per l'Utente è disponibile all'indirizzo www.axis.com

Visitare il sito all'indirizzo www.axis.com/techsup per verificare se sono stati pubblicati aggiornamenti del firmware per il proprio dispositivo di rete. Per conoscere la versione del firmware installata, andare su **Setup (Impostazioni) > About (Informazioni su)**.

Visitare il Centro di apprendimento Axis alla pagina www.axis.com/academy per servizi di formazione utili, webinar, tutorial e guide.

Informazioni sulla garanzia

Per informazioni sulla garanzia del dispositivo Axis e informazioni ad esso relative, consultare la pagina www.axis.com/warranty/

Información de seguridad

Lea esta Guía de instalación con atención antes de instalar el producto. Guarde la Guía de instalación para poder consultarla en otro momento.

Niveles de peligrosidad

▲PELIGRO

Indica una situación peligrosa que, si no se evita, provocará lesiones graves o la muerte.

▲ADVERTENCIA

Indica una situación peligrosa que, si no se evita, puede provocar lesiones graves o la muerte.

▲ATENCIÓN

Indica una situación peligrosa que, si no se evita, puede provocar lesiones moderadas o leves.

AVISO

Indica una situación peligrosa que, si no se evita, puede provocar daños materiales.

Otros niveles de mensaje

Importante

Indica información importante que es fundamental para que el producto funcione correctamente.

Nota

Indica información útil que ayuda a aprovechar el producto al máximo.

Instrucciones de seguridad

⚠ADVERTENCIA

- El encargado de instalar el producto de Axis debe ser un profesional con experiencia.

⚠ATENCIÓN

- Riesgo de lesiones. La instalación del producto debe realizarse de manera que solo quede accesible para el personal autorizado debido al riesgo que suponen las piezas que se mueven durante su funcionamiento.
- La caja del sensor luminoso que se suministra con este equipo (no válida para 24 V CA) debe instalarse en una ubicación de acceso restringido.

AVISO

- El producto de Axis debe utilizarse de acuerdo con la legislación y la normativa locales.
- Almacene el producto de Axis en un entorno seco y ventilado.
- Evite la exposición del producto de Axis a choques o a una fuerte presión.
- No instale el producto en soportes, superficies o paredes inestables.
- Utilice solo las herramientas correspondientes cuando instale el producto de Axis. La aplicación de una fuerza excesiva con herramientas eléctricas puede provocar daños en el producto.
- No utilice limpiadores en aerosol, agentes cáusticos ni productos químicos.
- Limpie con un paño limpio humedecido con agua pura.
- Utilice solo accesorios que cumplan con las especificaciones técnicas del producto. Estos accesorios los puede proporcionar Axis o un tercero.
- Utilice solo piezas de repuesto proporcionadas o recomendadas por Axis.
- No intente reparar el producto usted mismo. Póngase en contacto con el servicio de asistencia técnica de Axis o con su distribuidor de Axis para tratar asuntos de reparación.
- Debe instalarse en el sistema eléctrico del edificio un dispositivo de desconexión accesible y sencillo que permita una intervención rápida.
- Este equipo está permanentemente conectado (tendido de cables). La instalación del edificio debe proporcionar una protección contra sobretensión y cortocircuitos de un máximo de 20 A.

Transporte

AVISO

- Cuando transporte el producto de Axis, utilice el embalaje original o un equivalente para evitar daños en el producto.

Batería

Este producto de Axis utiliza una batería de litio BR/CR2032 de 3,0 V como fuente de alimentación del reloj interno en tiempo real. En condiciones normales, esta batería durará un mínimo de cinco años.

Un nivel bajo de batería afectará al funcionamiento del reloj en tiempo real, lo que provocará el restablecimiento de este cada vez que se encienda el producto. Cuando sea necesario sustituir la batería, aparecerá un mensaje de registro en el informe del servidor del producto. Para obtener más información sobre el informe del servidor, consulte las páginas de configuración del producto o póngase en contacto con el servicio de asistencia técnica de Axis.

La batería no debe sustituirse a menos que sea necesario; no obstante, si precisa hacerlo, póngase en contacto con el servicio de asistencia técnica de Axis en www.axis.com/techsup para solicitar ayuda.

▲ADVERTENCIA

- La sustitución incorrecta de la batería implica riesgo de explosión.
- Sustituya la batería por una batería idéntica u otra batería recomendada por Axis.
- Deseche las baterías usadas de conformidad con la normativa local o las instrucciones del fabricante.

Guía de instalación

Esta Guía de instalación incluye las instrucciones necesarias para instalar la cámara de red AXIS Q8665–LE PTZ en su red. Para conocer otros aspectos de uso del producto, consulte el Manual del usuario disponible en www.axis.com.

Variantes del producto

Producto	Variante de alimentación
AXIS Q8665–LE	24 V CA
	100 V CA
	120 V CA
	230 V CA

Pasos de la instalación

1. Asegúrese de que dispone del contenido del paquete, las herramientas y los demás materiales necesarios para la instalación. *Vea página 159.*
2. Estudie la información general del hardware. *Vea página 161.*
3. Estudie las especificaciones. *Vea página 168.*
4. Instale el hardware. *Vea página 170.*
5. Acceda al producto. *Vea página 184.*

Contenido del paquete

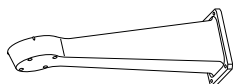
- AXIS Q8665–LE
 - Cámara de red PTZ
 - Unidad base
 - Parasol
- Kit de Iluminadores de infrarrojos
 - 2 iluminadores
 - Soporte
 - Tornillos
- Caja del sensor luminoso premontada con cables de señal y alimentación de 10 m para conexión con la unidad principal (protegidos con conductos)
(no válida para la variante AXIS Q8665–LE 24 V CA).
- Equipo auxiliar de instalación

AXIS Q8665-LE PTZ Network Camera

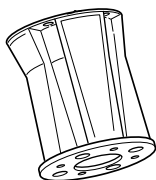
- CD de software de instalación y gestión
- Materiales impresos
 - Guía de instalación (este documento)
 - Etiquetas adicionales con el número de serie (2)

Hardware necesario (se vende por separado)

- Soporte de pared K de AXIS o soporte de columna K de AXIS

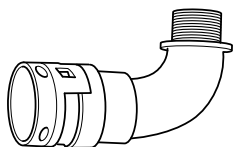


Soporte de pared K de
AXIS

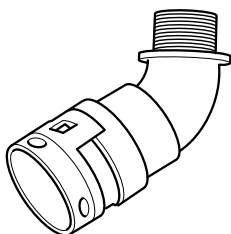


Soporte de columna K de
AXIS

- Conducto de pared o conducto de columna



Conducto de pared



Conducto de columna

Accesorios opcionales

- Soporte de esquina AXIS T95A64
- Soporte de poste AXIS T95A67
- Kit A de arandelas AXIS
- Switch convertidor de medios AXIS T8604
- Adaptador Ethernet a través de cable coaxial PoE+ AXIS T8640

Para obtener información sobre los accesorios disponibles, visite www.axis.com.

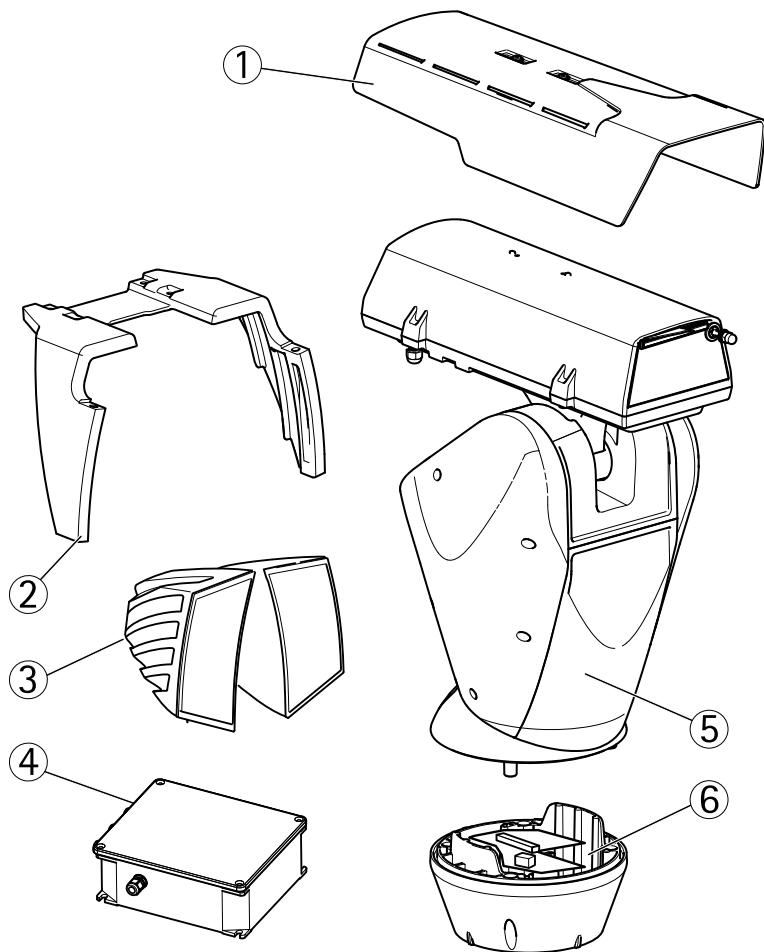
Herramientas recomendadas

- Crimpadora RJ45
- Juego de llaves fijas de tubo
- Taladro para perforar agujeros en la superficie de montaje
- Fijador de roscas Loctite® 243

Información general del hardware

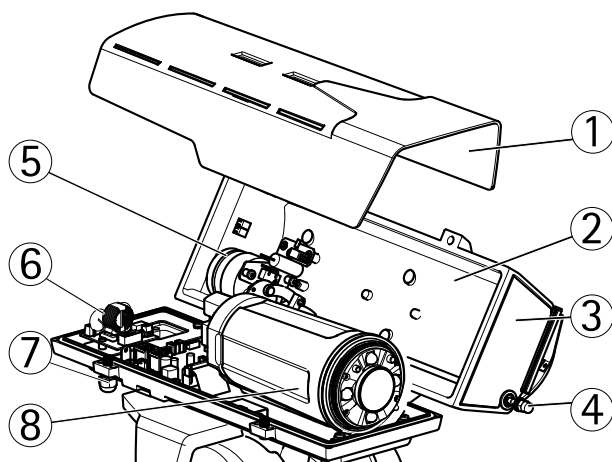
- Para obtener información general sobre la unidad de la carcasa, consulte *Unidad de la carcasa en la página 163*
- Para obtener información general sobre los botones y conectores de la cámara, consulte *Unidad de cámara en la página 164*
- Para obtener información general sobre los iluminadores, consulte *página 164*
- Para obtener información general sobre la caja del sensor de iluminación consulte *página 165*

AXIS Q8665-LE PTZ Network Camera



- 1 *Parasol*
- 2 *Soporte de los iluminadores*
- 3 *Iluminadores*
- 4 *Caja del sensor de iluminación (no válida para AXIS Q8665-LE 24 V CA.)*
- 5 *Cámara de red PTZ*
- 6 *Unidad base*

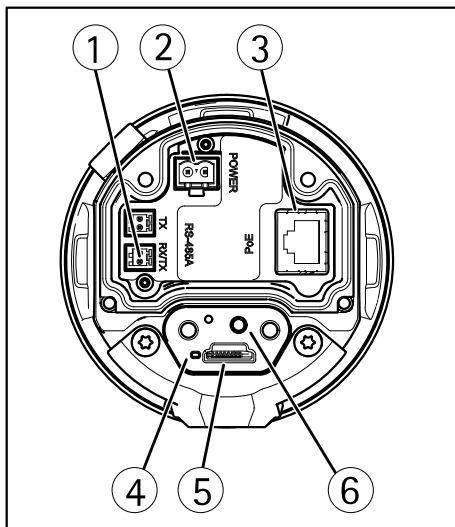
Unidad de la carcasa



- 1 *Parasol*
- 2 *Cubierta superior*
- 3 *Ventana de protección*
- 4 *Escobilla limpiadora*
- 5 *Motor de la escobilla limpiadora*
- 6 *Panel de circuitos del iluminador*
- 7 *Prensaestopas del iluminador*
- 8 *Unidad de cámara*

AXIS Q8665-LE PTZ Network Camera

Unidad de cámara

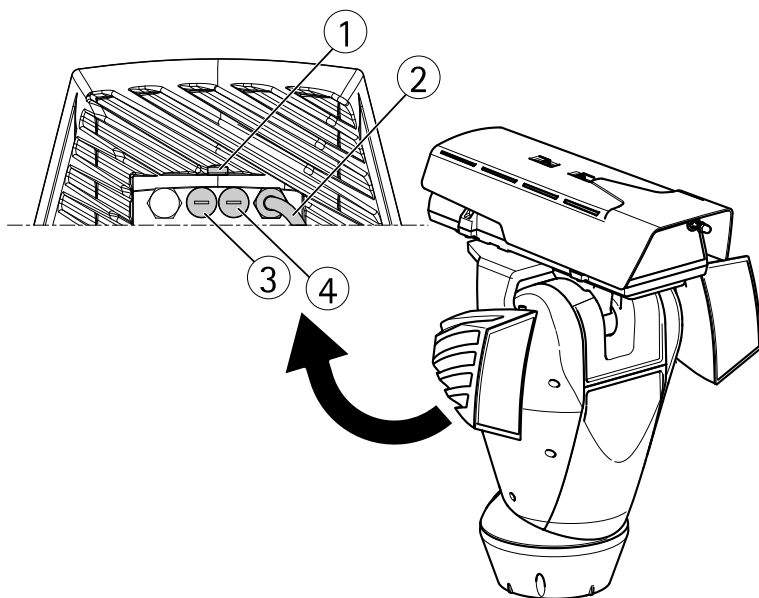


- 1 Conector RS485/RS422
- 2 Conector de alimentación
- 3 Conector de red
- 4 Indicador LED de estado
- 5 Ranura para tarjetas de memoria microSD
- 6 Botón de control

Iluminador de infrarrojos

Importante

No cambie la posición del regulador del nivel de sensibilidad.

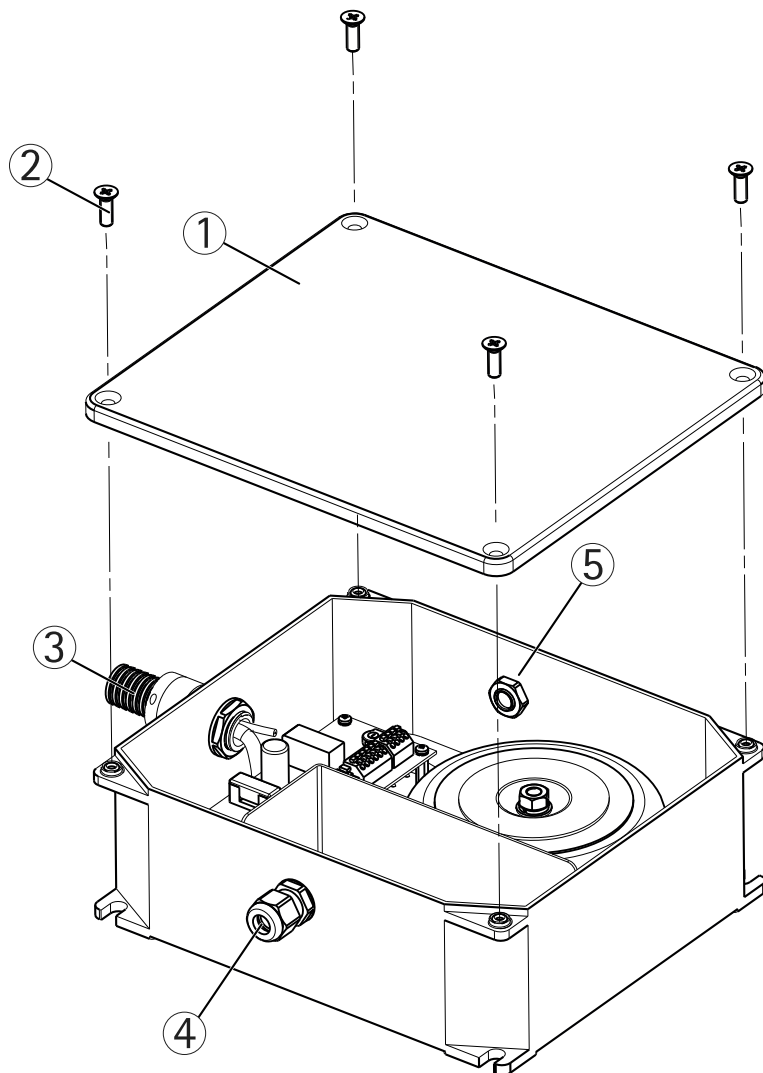


- 1 *Sensor de luz crepuscular*
- 2 *Cable*
- 3 *Regulador del nivel de sensibilidad*
- 4 *Control de potencia de infrarrojos*

Caja del sensor de iluminación

La caja del sensor de iluminación no es válida para AXIS Q8665-LE 24 V CA.

AXIS Q8665-LE PTZ Network Camera



- 1 Tapa
- 2 Tornillos (4)
- 3 Conducto (incluidos los cables de alimentación, masa y señal)
- 4 Prensaestopas (con cable de corriente principal)
- 5 Sensor de día/noche

Conectores y botones

Para conocer las especificaciones y las condiciones de funcionamiento, vea *página 168*.

Conector de red

Conector Ethernet RJ45.

AVISO

El producto se conectará mediante un cable de red blindado (STP). Todos los cables que conecten el producto a la red deberán estar blindados para su uso específico. Asegúrese de que los dispositivos de red estén instalados de conformidad con las instrucciones del fabricante. Para obtener información sobre los requisitos normativos, vea *Electromagnetic Compatibility (EMC) on page 2*.

Botón de control

Para conocer la ubicación del botón de control, vea *Información general del hardware en la página 161*.

El botón de control se utiliza para lo siguiente:

- Restablecer el producto a la configuración predeterminada de fábrica. Vea *página 187*.
- Conectarse a un servicio AXIS Video Hosting System o al Servicio de DNS dinámico de Internet de AXIS. Para obtener más información sobre estos servicios, consulte el Manual del usuario.

Ranura para tarjetas SD

AVISO

- Riesgo de daños en la tarjeta SD. No utilice herramientas afiladas ni ejerza demasiada fuerza al insertar o retirar la tarjeta SD.
- Riesgo de pérdida de datos. Antes de retirar la tarjeta SD, es preciso desmontarla para evitar que los datos resulten dañados. Para desmontarla, vaya a **Setup > System Options > Storage > SD Card** (Configuración > Opciones del sistema > Almacenamiento > Tarjeta SD) y haga clic en **Unmount** (Desmontar).

Este producto admite tarjetas microSD/microSDHC/microSDXC (no incluidas).

Para conocer las recomendaciones de tarjeta SD, consulte www.axis.com.

Especificaciones

Condiciones de funcionamiento

Producto	Clasificación	Temperatura	Humedad
AXIS Q8665-LE	IEC/EN/UL 60529 IP66. NEMA 250 Tipo 4X	de -40 °C a 55 °C (de -40 °F a 131 °F)	de 15 a 100 % de humedad relativa (con condensación)

Descongelación

El proceso de descongelación automática del producto se inicia cuando se enciende el producto y la temperatura del aire es inferior a 0 °C (32 °F). El proceso de descongelación asegura que el producto funciona de forma correcta incluso en temperaturas bajas. El proceso de descongelación tarda un máximo de 90 minutos. Durante este periodo la cámara está desconectada.

Alimentación

Consumo	Infrarrojos activo	Infrarrojos inactivo
AXIS Q8665-LE	Máx.: 113 W Típica: 94 W	Máx.: 55 W Típica: 40 W

Unidad	Tensión de entrada
Unidad base	24 V CA, 8 A
Caja del sensor de iluminación	100 V CA, 200 W 120 V CA, 200 W 230 V CA, 200 W

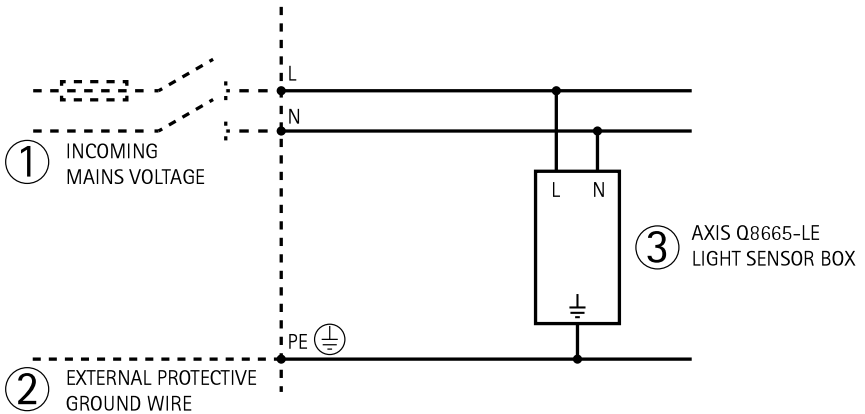
Importante

- Para reducir el riesgo de incendio, utilice un cable de telecomunicaciones con certificación CSA o que figure en la lista UL.
- Para mantener la clasificación IP de la caja del sensor de iluminación, los cables externos deben tener un diámetro de 7 mm. El cable de alimentación que va de la unidad de movimiento horizontal y vertical a la caja del sensor luminoso no puede tener más de 10 m (33 pies) de longitud.

Cable de alimentación	Variante	Número de cables	Área de cableado
Cable de alimentación de red	24 V CA		
Cable de alimentación principal para la caja del sensor de iluminación	100 V CA 120 V CA 230 V CA	3 (L, N, PE)	Desde 3,3 mm ² (AWG 12) a 2,1 mm ² (AWG 14)

Caja del sensor de iluminación

Diagrama de conexión



Especificaciones del iluminador de infrarrojos

Nota

Las distancias y el rendimiento dependen de la escena y de las condiciones de luz ambiental.

Patrones de haz vertical y horizontal	Distancia máxima (850 nm)
60°	Hasta 150 m (490 pies)

Para iluminar la escena correctamente, ajuste el ángulo de los iluminadores según el campo de visión de la cámara, consulte *Instalación de los iluminadores de infrarrojos en la página 179*.

Instalación del hardware

Caja del sensor de iluminación

Conexión de los cables

Instrucciones no válidas para AXIS Q8665–LE 24 V CA.

▲ADVERTENCIA

- Las conexiones eléctricas y las instalaciones de los conductos debe realizarlas un electricista cualificado, de conformidad con la normativa local.
- Riesgo de descarga eléctrica. El producto deberá conectarse a tierra mediante un cable de tierra. Asegúrese de que los dos extremos del cable de tierra estén en contacto con sus respectivas superficies de toma de tierra.
- La alimentación debe estar desconectada durante la instalación.

AVISO

Debe utilizarse solo la fuente de alimentación especificada en el producto. El uso de cualquier otra fuente de alimentación anulará la garantía y podría suponer un riesgo para la unidad.

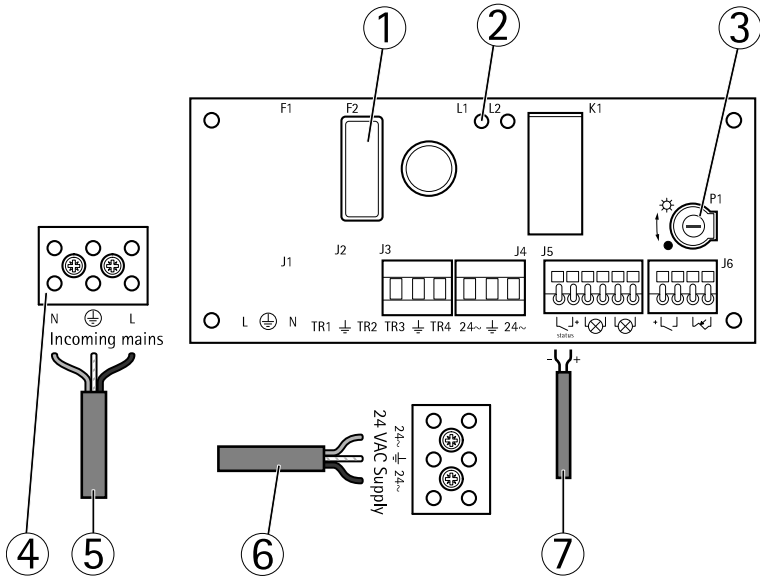
Nota

- El cable de masa debe ser unos 10 mm más largo que los otros dos para evitar la desconexión accidental.
 - Si va a utilizar el sensor de día/noche, coloque la caja del sensor de iluminación de manera que el sensor pueda detectar los cambios de luz durante el día.
1. Desmonte la tapa y abra la caja del sensor de iluminación, consulte la información general sobre el hardware en *página 165*.

Nota

Para que la instalación sea más fácil, puede desmontar el bloque de terminales y volver a montarlo cuando haya conectado los cables.

2. Conecte los cables de alimentación principal al bloque de terminales de alimentación principal.



- 1 Fusible y portafusible (T8A L 250 V)
- 2 LED del fusible
- 3 Potenciómetro P1
- 4 Conector del bloque de alimentación de red
- 5 Cable de alimentación de red
- 6 Cable de alimentación de red de la unidad de movimiento horizontal y vertical (24 V CA) (premontado)
- 7 Cable de señal (premontado)

3. Apriete firmemente la tapa del prensaestopas.
4. Si es necesario, ajuste el potenciómetro P1 para aumentar o disminuir la sensibilidad del sensor de día/noche; consulte *Ajuste del sensor de día/noche en la página 171*.
5. Cierre la caja del sensor de iluminación y apriete los tornillos.

Ajuste del sensor de día/noche

Nota

El sensor de día/noche integrado de la cámara está activado de manera predeterminada. Para utilizar el sensor de día/noche de la caja del sensor de iluminación, debe activarse el sensor según la página de configuración del producto.

Si va a utilizar el sensor de día/noche de la caja del sensor de iluminación, ajuste el potenciómetro para adaptarlo a las condiciones especiales del emplazamiento.

AXIS Q8665-LE PTZ Network Camera

- Gire el potenciómetro en el sentido de las agujas del reloj para aumentar el umbral y adelantar el cambio al modo noche.
- Gire el potenciómetro en el sentido de las agujas del reloj para disminuir el umbral y retrasar el cambio al modo noche. El modo noche se indica mediante un LED rojo en el panel. El cambio al modo noche activa los iluminadores.

Instalación del soporte (se vende por separado)

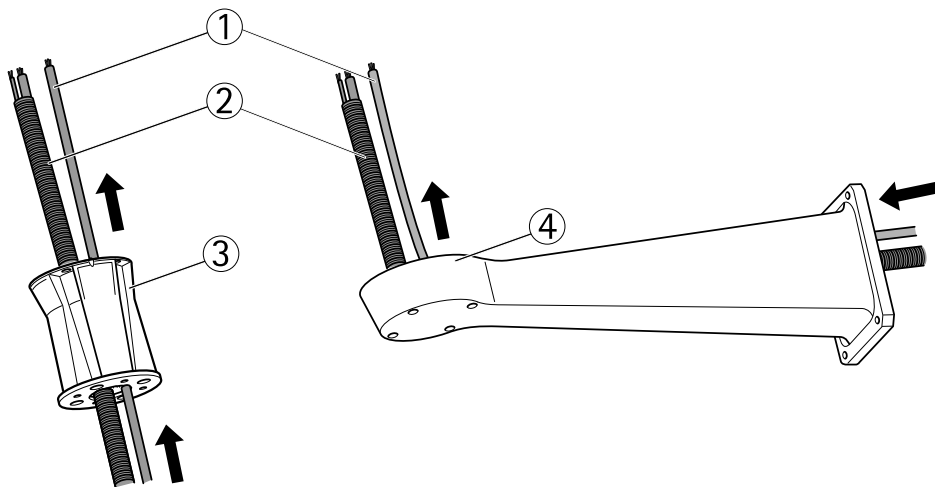
Los soportes se venden por separado. Para obtener información sobre los accesorios de montaje disponibles, vea www.axis.com.

⚠ADVERTENCIA

Riesgo de lesiones. Asegúrese de que el producto está bien fijado a la superficie del edificio antes de utilizarlo.

Importante

- Cuando fije el soporte a una superficie de cemento, utilice pasadores de centrado con par de clasificación ≤ 300 dN
 - Cuando fije el soporte a una superficie de metal, utilice tornillos con un diámetro de 8 mm.
1. Prepare la pared, el parapeto o el poste para la instalación del soporte elegido.
 2. Guíe el cable de red y de conexión a través del soporte. Deje una holgura de cable de 50 cm (12 pulg.) para conectarlo a la unidad base.



1 Cable de red

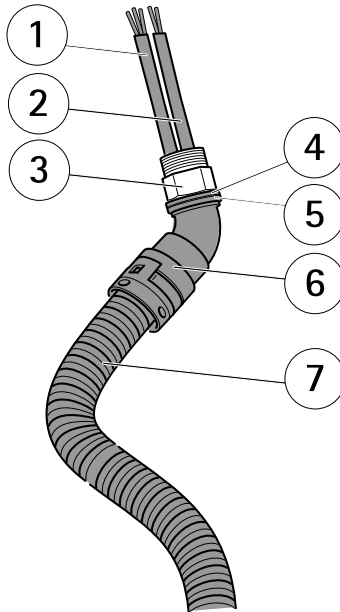
- 2 *Cable de conexión con cables de alimentación y señal*
- 3 *Soporte de columna*
- 4 *Soporte de pared*

Montaje de la unidad base en el soporte

⚠ADVERTENCIA

Las conexiones eléctricas y las instalaciones de los conductos debe realizarlas un electricista cualificado, de conformidad con la normativa local.

1. Retire la bolsa desecante colocada en la unidad base.
2. Fije el conducto al cable de conexión.
3. Fije dos arandelas y una tuerca a la conexión.

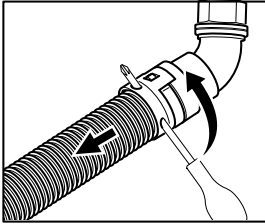


- 1 *Cable de alimentación*
- 2 *Cable de señal*
- 3 *Tuerca de fijación*
- 4 *Arandela*
- 5 *Arandela*
- 6 *Conducto*
- 7 *Cable de conexión*

AXIS Q8665-LE PTZ Network Camera

Nota

Para desconectar el conducto del cable de conexión, inserte un destornillador y gire el conducto al tiempo que tira de él.

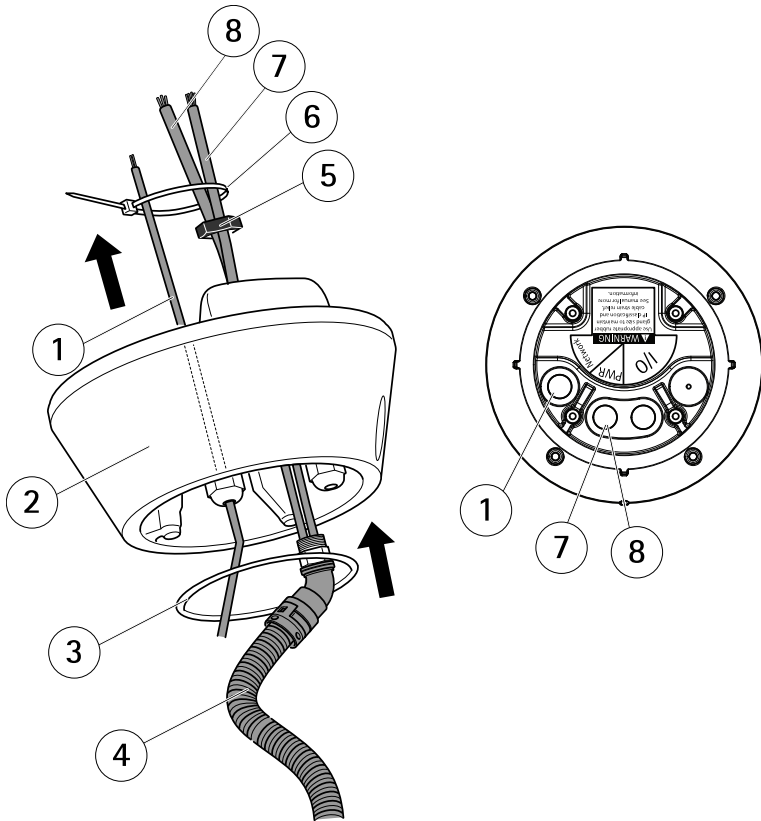


4. Asegúrese de que la junta queda colocada en su posición.
5. Haga pasar los cables de señal y de alimentación a través de los prensaestopas como se muestra en la ilustración.
6. Monte la tuerca de fijación en el conducto.
7. Haga pasar el cable de red a través del prensaestopas como se muestra en la ilustración.

AVISO

Para mantener la clasificación IP del producto y reducir la tensión en los cables, apriete bien los prensaestopas.

8. Para evitar el deslizamiento de los cables, apriete los prensaestopas una vez que haya hecho pasar los cables a través de ellos.
9. Coloque una abrazadera para fijar los cables.



- 1 Cable de red
- 2 Unidad base
- 3 Junta
- 4 Cable de conexión
- 5 Tuerca de fijación
- 6 Abrazadera de cable
- 7 Cable de señal
- 8 Cable de alimentación

Importante

Los conmutadores DIP de la unidad base vienen configurados de fábrica con el protocolo PTZ correspondiente y no deben modificarse.

10. Conecte el cable de señal del iluminador al conector (ALARMAS y 1) de la unidad base.

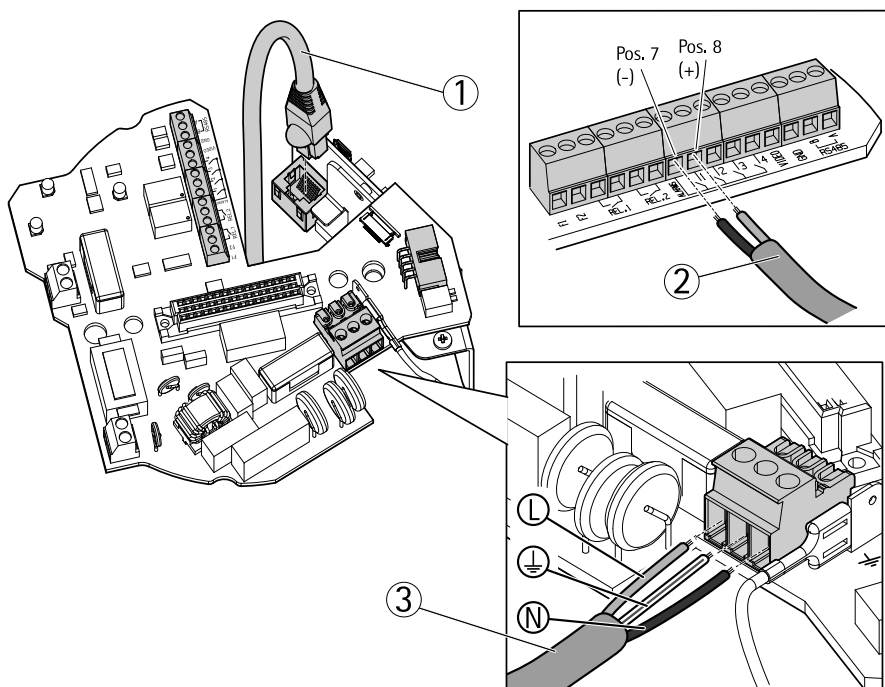
AXIS Q8665-LE PTZ Network Camera

11. Con una crimpadora RJ45, pele y crimpe el cable de red según las instrucciones del fabricante.
12. Conecte el cable de red al conector de red de la unidad base.

Nota

Para que la instalación sea más fácil, puede desmontar el bloque de terminales de alimentación del panel de circuitos y montarlo una vez que los cables estén conectados correctamente.

13. Conecte el cable de alimentación al conector de alimentación de la unidad base. Asegúrese de que el cable de masa amarillo/verde está conectado al pin central.

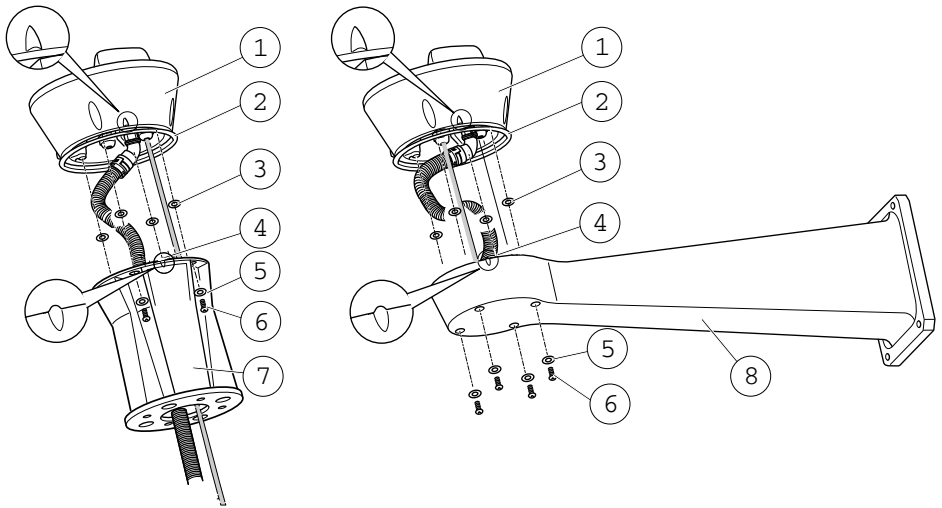


- 1 Cable de red
- 2 Cables de señal
- 3 Cables de alimentación

Nota

La unidad base puede montarse en el soporte en cuatro posiciones distintas.

14. Utilice los indicadores de alineación para encontrar la posición que permita el acceso al panel de configuración, que puede abrirse para llegar más fácilmente al conector de red si, por ejemplo, necesita resolver algún problema.
15. Si, una vez conectados, los cables han quedado holgados, afloje los prensaestopas, elimine la holgura de los cables y ajuste los prensaestopas de nuevo.
16. Acople la unidad base al soporte de montaje mediante los tornillos y las arandelas.
17. Aplique el fijador de roscas Loctite® 243 en los tornillos y apriete los tornillos (par de 4 Nm).



- 1 Unidad base
- 2 Junta
- 3 Arandelas (4)
- 4 Indicador de alineación
- 5 Arandelas (4)
- 6 Tornillos (4)
- 7 Soporte de columna
- 8 Soporte de pared

Conexión de la unidad de movimiento horizontal y vertical a la unidad base

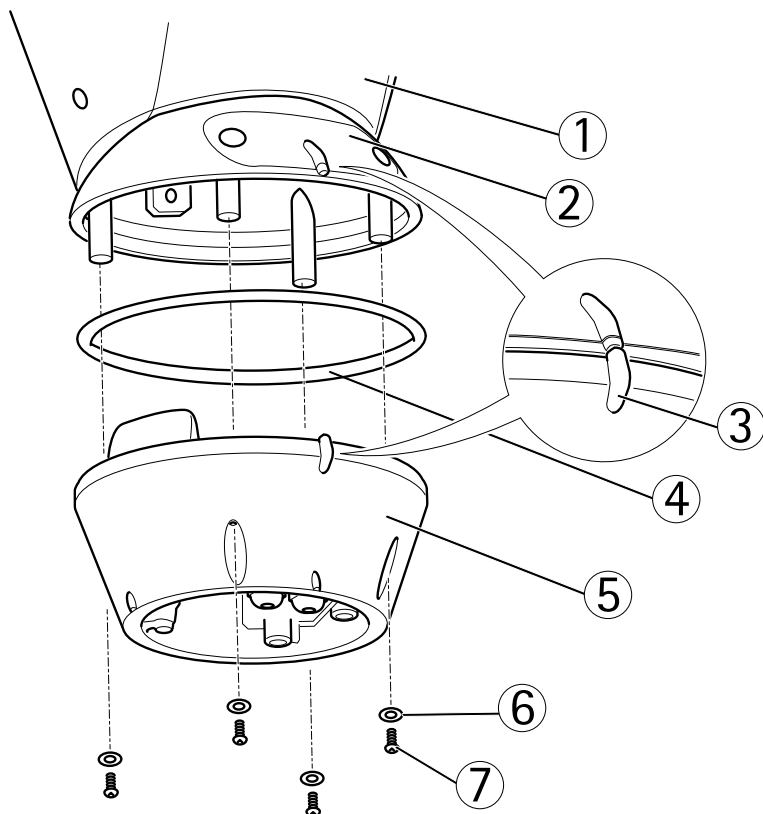
AVISO

Utilice los indicadores de alineación para alinear las unidades. Un alineado incorrecto podría causar daños en los componentes.

AXIS Q8665-LE PTZ Network Camera

Importante

- Monte el producto en posición erguida. No lo instale boca abajo.
 - Asegúrese de conectar la unidad de movimiento horizontal y vertical recta desde arriba, como muestra la ilustración. No la incline sobre la unidad base.
1. Asegúrese de que la junta queda colocada en su posición.
 2. Incline la carcasa de la cámara hacia atrás.
 3. Conecte la unidad de movimiento horizontal y vertical a la unidad base y apriete los tornillos (par de torsión de 4 Nm) utilizando la llave Allen suministrada.



- 1 Unidad de movimiento horizontal y vertical
- 2 Tapa del panel de configuración
- 3 Indicadores de alineación
- 4 Junta

- 5 Base
- 6 Arandelas (4)
- 7 Tornillos (4)

4. La instalación mecánica se ha completado. Para acceder a la unidad de la cámara, consulte la sección *Acceso al producto en la página 184*. Para obtener información acerca de cómo acceder a la transmisión de vídeo, consulte el manual del usuario del producto.

Instalación de los iluminadores de infrarrojos

▲ADVERTENCIA

- La emisión de la luz infrarroja (riesgo del grupo 2) puede perjudicar a los ojos. Preste atención a las indicaciones facilitadas. Evite la exposición prolongada de los ojos o utilice protectores o dispositivos de protección para los ojos.
- Riesgo de descarga eléctrica. Asegúrese de que la fuente de alimentación esté desconectada.

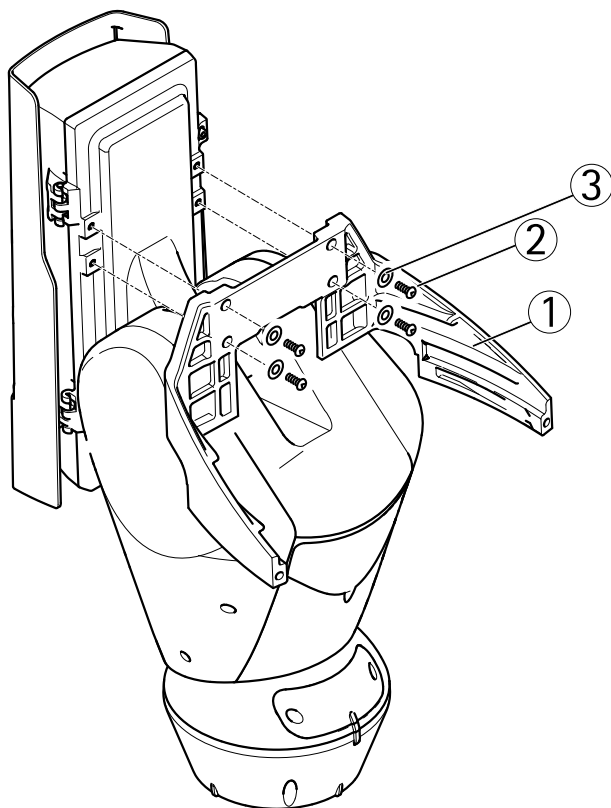
▲ATENCIÓN

La superficie del iluminador puede calentarse mucho durante el funcionamiento normal. Evite el contacto directo y coloque el aparato en un lugar inaccesible para el personal no autorizado. Antes de tocar el iluminador, desconéctelo y deje que se enfríe durante al menos 10 minutos.

Importante

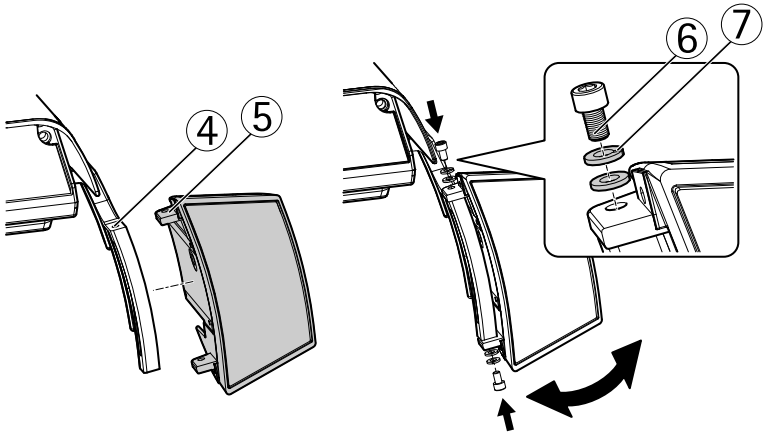
Para que funcionen correctamente, ambos iluminadores deben instalarse juntos.

1. Coloque el soporte en la parte inferior de la carcasa.
2. Instale los tornillos y las arandelas en los orificios y apriételes (par 4 Nm). Asegúrese de que el soporte queda firmemente fijado.



- 1 Soporte
- 2 Tornillo
- 3 Arandela

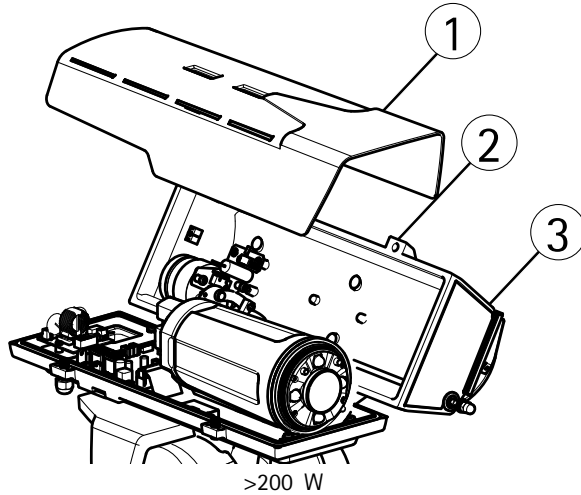
3. Deslice el iluminador en las fijaciones del soporte superior e inferior.
4. Ajuste el ángulo de los iluminadores para que se adapte al entorno.
5. Monte los tornillos y las arandelas (par 6 Nm).



- 4 Fijación de del soporte
- 5 Fijación del iluminador
- 6 Tornillo
- 7 Arandelas

Conexión de los iluminadores de infrarrojos

1. Desenrosque los dos tornillos y desmonte la cubierta superior de la carcasa.



- 1 Parasol

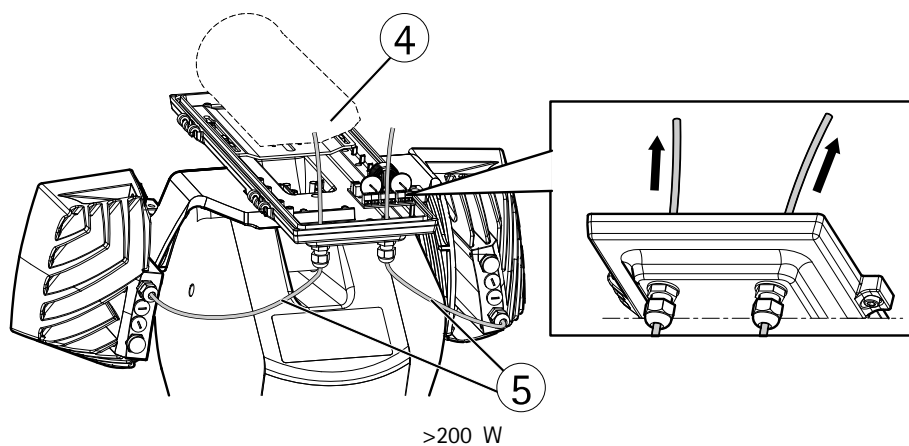
AXIS Q8665-LE PTZ Network Camera

- 2 Tornillo
- 3 Cubierta superior

Importante

Para asegurar el funcionamiento seguro y correcto de la unidad, no deje demasiados cables asomando por fuera.

- 2. Pase los cables a través de la carcasa. Deje una holgura de cable de 25 cm (10 pulg.).



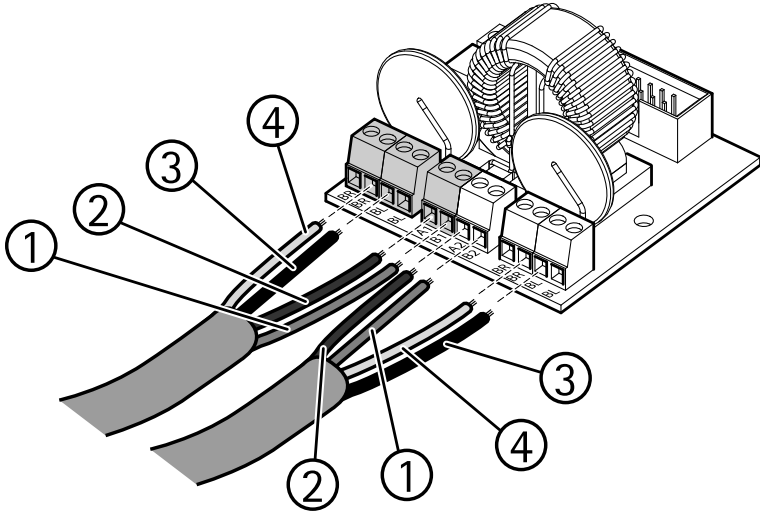
- 4 Cubierta superior
- 5 Cables

- 3. Conecte los cables como se muestra en la ilustración.

Nota

Asegúrese de no pillar ningún cable al cerrar la carcasa.

- 4. Cierre la carcasa y monte los dos tornillos.



Consulte la tabla para ver las posiciones del cable.

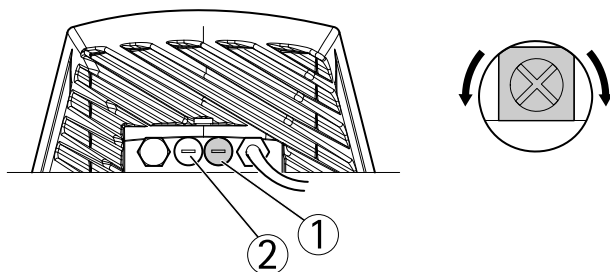
Posición en la ilustración	Iluminador izquierdo		Iluminador derecho	
	Referencia en el panel	Color del cable	Referencia en el panel	Color del cable
4	WH	Blanco o amarillo	WH	Blanco o amarillo
3	BK	Negro	BK	Negro
2	A1	Verde o azul	A2	Verde o azul
1	B1	Rojo	B2	Rojo

Ajuste de la potencia del iluminador de infrarrojos

Importante

No cambie la posición del regulador del nivel de sensibilidad.

- Para ajustar la potencia del iluminador de infrarrojos, afloje el conector hermético.
 - Ajuste el control de los infrarrojos en el sentido de las agujas del reloj para aumentar la potencia.
 - Ajuste el control de los infrarrojos en el sentido contrario a las agujas del reloj para disminuir la potencia.



- 1 Control de potencia de infrarrojos
- 2 Regulador del nivel de sensibilidad

Acceso al producto

Utilice las herramientas suministradas en el CD del software de instalación y gestión para asignar una dirección IP, establecer la contraseña y acceder a la transmisión de vídeo. Esta información también está disponible en las páginas de asistencia técnica en www.axis.com/techsup/

Movimiento horizontal y vertical y zoom

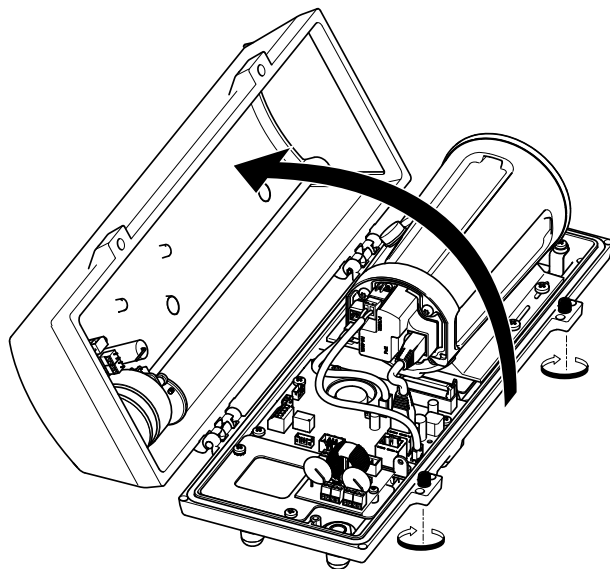
⚠ATENCIÓN

Piezas de movimiento peligroso. No acerque los dedos ni otras partes del cuerpo al producto mientras esté funcionando.

La funcionalidad PTZ se controla a través de la cámara de red. La funcionalidad PTZ estará disponible en la página Live View de la página web de las cámaras de red una vez que active la funcionalidad PTZ. Consulte el Manual de usuario, que se encuentra disponible en www.axis.com

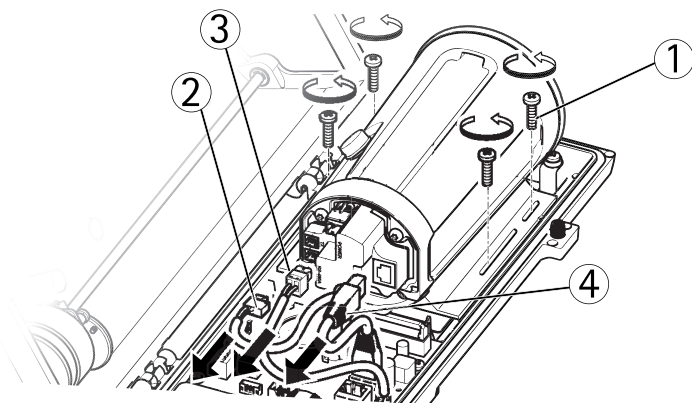
Acceso a la unidad de la cámara

Para acceder a la unidad de la cámara para montar la tarjeta SD o restablecer la cámara a la configuración predeterminada de fábrica, desmonte los dos tornillos y abra la cubierta superior.



Instalación de la tarjeta SD

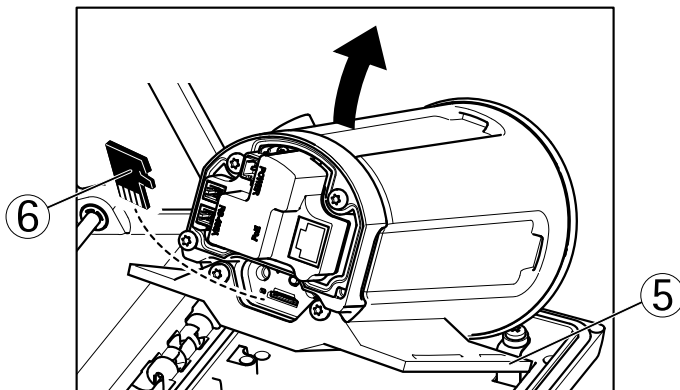
1. Desconecte el cable de red, de alimentación y de RX/TX.
2. Desenrosque los cuatro tornillos.



- 1 Tornillo
- 2 Cable de alimentación
- 3 Cable RX/TX

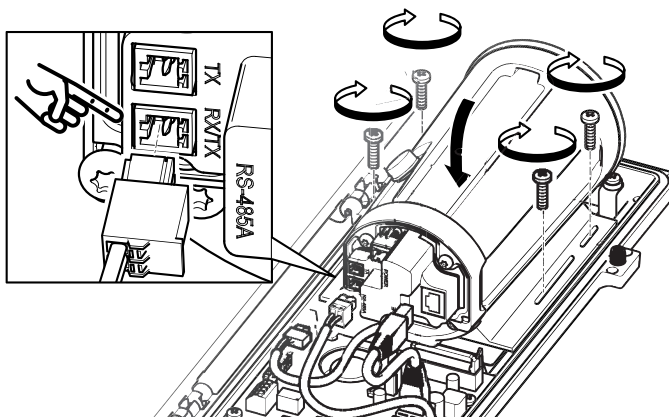
4 Cable de red

3. Levante la cámara, incluido el soporte, e inserte la tarjeta SD.



- 5 Soporte
- 6 Tarjeta SD

4. Conecte los cables y monte los cuatro tornillos.



Restablecimiento a la configuración predeterminada de fábrica

Importante

Hay que tener cuidado al restablecer la configuración predeterminada de fábrica. Todos los valores, incluida la dirección IP, se restablecerán a la configuración predeterminada de fábrica.

Nota

Las herramientas del software de instalación y gestión están disponibles en el CD suministrado con el producto, así como en las páginas de asistencia técnica en www.axis.com/techsup.

Para restablecer el producto a la configuración predeterminada de fábrica:

1. Desconecte la alimentación del producto.
2. Mantenga pulsado el botón de control y vuelva a conectar la alimentación. Vea *Información general del hardware en la página 161*.
3. Mantenga pulsado el botón de control durante 15-30 segundos hasta que el indicador LED de estado parpadee en ámbar.
4. Suelte el botón de control. El proceso finaliza cuando el indicador LED de estado se pone verde. El producto se ha restablecido a la configuración predeterminada de fábrica. Si no hay ningún servidor DHCP disponible en la red, la dirección IP predeterminada es 192.168.0.90.
5. Utilice las herramientas del software de instalación y gestión para asignar una dirección IP, establecer la contraseña y acceder a la transmisión de vídeo.

También es posible restablecer los parámetros a los valores predeterminados de fábrica mediante la interfaz web. Para ello, vaya a **Setup > System Options > Maintenance (Configuración > Opciones del sistema > Mantenimiento)**.

Cambio de fusibles de la caja del sensor luminoso

⚠PELIGRO

Riesgo de descarga eléctrica. Antes de trabajar en el interior del panel, desconecte el equipo de la alimentación eléctrica.

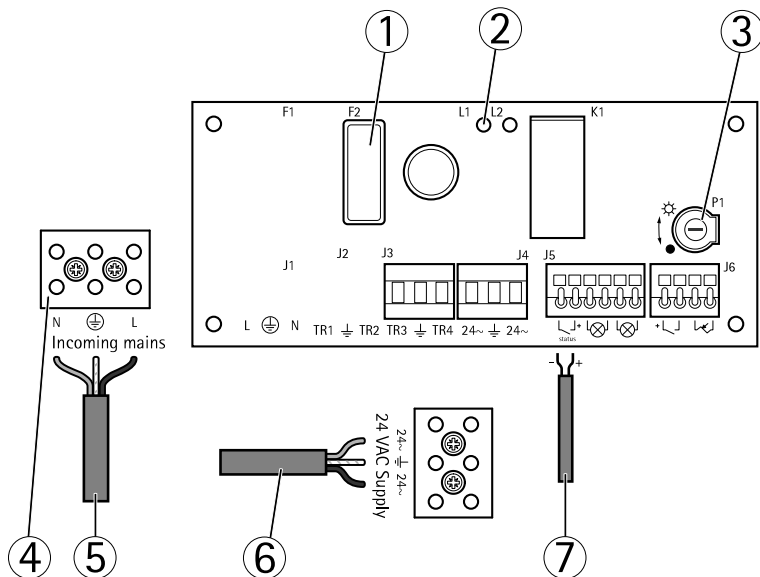
⚠ATENCIÓN

- Las conexiones eléctricas y las instalaciones de los conductos debe realizarlas un electricista cualificado, de conformidad con la normativa local.
- Riesgo de incendio. Para una protección continua contra el riesgo de incendio, debe sustituir los fusibles por otros del mismo tipo y clasificación.

1. Desconecte la fuente de alimentación.

AXIS Q8665-LE PTZ Network Camera

2. Abra la tapa de la caja de los sensores de iluminación desenroscando los tornillos.
3. Compruebe el fusible con un multímetro.
 - Si el fusible está intacto, prosiga con *Cambio de los fusibles de la unidad base en la página 189.*
 - Si el fusible está fundido, cámbielo. Consulte la tabla siguiente.
4. Monte la tapa de la caja del sensor de iluminación.



- 1 Fusible y portafusible
- 2 LED del fusible
- 3 Potenciómetro P1
- 4 Conector del bloque de alimentación de red
- 5 Cable de alimentación de red
- 6 Cable de alimentación de red de la unidad de movimiento horizontal y vertical (24 V CA) (premontado)
- 7 Cable de señal (premontado)

Especificaciones de los fusibles	
Tensión	Fusible
100/120/230 V CA	T8A L 250 V

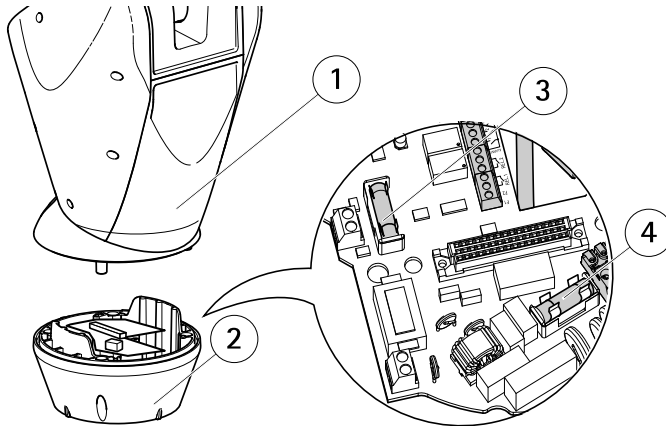
Cambio de los fusibles de la unidad base

▲PELIGRO

Riesgo de descarga eléctrica. Antes de trabajar en el interior de la unidad base, desconecte el equipo de la alimentación eléctrica.

▲ATENCIÓN

- Las conexiones eléctricas y las instalaciones de los conductos debe realizarlas un electricista cualificado, de conformidad con la normativa local.
 - Riesgo de incendio. Para una protección continua contra el riesgo de incendio, debe sustituir los fusibles por otros del mismo tipo y clasificación.
1. Separe la unidad de movimiento horizontal y vertical desenroscando los cuatro tornillos, consulte la sección *Información general del hardware*.
 2. Compruebe los fusibles con un multímetro. Si los fusibles están fundidos, cámbielos. Consulte la tabla siguiente.



- 1 *Unidad de movimiento horizontal y vertical*
- 2 *Unidad base*
- 3 *Fusible F1*
- 4 *Fusible F2*

Especificaciones de los fusibles		
Tensión	Fusible F1 5x20	Fusible F2 5x20
24/100 V CA 50/60 Hz	F 6,3 A 250 V	T 8 A 250 V

AXIS Q8665-LE PTZ Network Camera

120 V CA 50/60 Hz	F 6,3 A 250 V	T 4 A 250 V
230 V CA 50/60 Hz	F 6,3 A 250 V	T 2 A 250 V

3. Conecte la unidad de movimiento horizontal y vertical a la unidad base.

Más información

El Manual de usuario se encuentra disponible en www.axis.com.

Visite www.axis.com/techsup para comprobar si existe un firmware actualizado disponible para su producto de red. Para ver la versión del firmware instalado actualmente, vaya a **Setup > About** (Configuración > Acerca de).

Visite el centro de aprendizaje de www.axis.com/academy para consultar guías, tutoriales, seminarios web y cursos que pueden resultarle útiles.

Información de garantía

Para obtener más detalles sobre la garantía del producto Axis y la información relacionada con ella, consulte www.axis.com/warranty/

安全情報

本製品を設置する前に、このインストールガイドをよくお読みください。インストールガイドは、後で参照できるように保管しておいてください。

危険レベル

▲危険

回避しない場合、死亡または重傷につながる危険な状態を示します。

▲警告

回避しない場合、死亡または重傷につながるおそれのある危険な状態を示します。

▲注意

回避しない場合、軽傷または中程度の怪我につながるおそれのある危険な状態を示します。

注記

回避しない場合、器物の破損につながるおそれのある状態を示します。

その他のメッセージレベル

重要

製品を正しく機能させるために不可欠な重要情報を示します。

注意

製品を最大限に活用するために役立つ有用な情報を示します。

安全手順

▲警告

- 本製品の設置は、訓練を受けた専門技術者が行ってください。

▲注意

- 損傷の危険があります。動作時に可動する部品があるため、権限を持つ担当者だけがアクセスできるように本製品を設置してください。
- この装置 (24 V ACには非対応) を接続した光センサーボックスは、アクセス制限区域 (RAL) 内に設置する必要があります。

注記

- 本製品は、お使いになる地域の法律や規制に準拠して使用してください。
- 本製品は乾燥した換気のよい環境に保管してください。
- 本製品に衝撃または強い圧力を加えないでください。
- 本製品を不安定なブラケット、表面、または壁に設置しないでください。
- 本製品を設置する際には、適切な工具のみを使用してください。電動工具を使用して過剰な力をかけると、製品が損傷することがあります。
- 化学薬品、腐食剤、噴霧式クリーナーは使用しないでください。
- 清掃には、きれいな水に浸した清潔な布を使用してください。
- 製品の技術仕様に準拠したアクセサリのみを使用してください。これらのアクセサリは、Axisまたはサードパーティから入手できます。
- Axisが提供または推奨する交換部品のみを使用してください。
- 製品を自分で修理しないでください。修理については、Axisサポートまたは販売代理店にお問い合わせください。
- 直ちに介入できるよう、すぐにアクセスしやすい断路装置が建物の電気システムに組み込まれている必要があります。
- 永続的に接続された装置です (フィールドにワイヤー固定)。建造物の設備に短絡および過電流に対する保護があり、最大20 Aである必要があります。

輸送

注記

- 本製品を運搬する際は、製品が損傷しないよう、元の梱包か同等の梱包を使用してください。

バッテリー

本製品は、内部リアルタイムクロック (RTC) 用電源として、3.0 V BR/CR2032リチウムバッテリーを使用します。このバッテリーは、通常条件下で最低5年間使用できます。

バッテリーが低電力状態になると、RTCの動作に影響し、電源を入れるたびにRTCがリセットされます。バッテリーの交換が必要になると、製品のサーバーレポートにログメッセージが表示されます。サーバーレポートの詳細については、製品の設定ページを参照するか、Axisサポートまでお問い合わせください。

必要な場合以外はバッテリーを交換しないでください。バッテリーの交換が必要な場合は、Axisサポート (www.axis.com/techsup) までご連絡ください。

▲警告

- バッテリーは、正しく交換しないと爆発する危険があります。
- 交換用バッテリーとしては、同一品またはAxisが推奨するバッテリーのみを使用してください。
- 使用済みバッテリーは、地域の規制またはバッテリーメーカーの指示に従って廃棄してください。

インストールガイド

このインストールガイドでは、AXIS Q8665-LE PTZネットワークカメラをお使いのネットワークにインストールする手順について説明します。製品の使用の詳細については、Axisのホームページ (www.axis.com) でユーザーズマニュアルを参照してください

製品バリエーション

製品	電源バリエーション
AXIS Q8665-LE	24 V AC
	100 V AC
	120 V AC
	230 V AC

設置手順

1. パッケージの内容、ツールなど、設置に必要な物がそろっているかを確認します。195ページを参照してください。
2. 「ハードウェアの概要」をよく読みます。197ページを参照してください。
3. 「仕様」をよく読みます。204ページを参照してください。
4. ハードウェアの設置。206ページを参照してください。
5. 製品にアクセスします。221ページを参照してください。

パッケージの内容

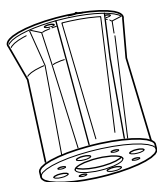
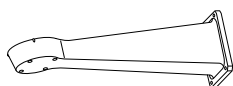
- AXIS Q8665-LE
 - PTZネットワークカメラ
 - ベースユニット
 - サンシールド
- 赤外線イルミネーターキット
 - イルミネーター×2
 - ブラケット
 - ネジ
- 光センサーボックスには、メインユニットへの接続のために10 mの電源ケーブルと信号ケーブルが取り付け済み(コンジットで保護)
(AXIS Q8665-LE 24 V ACには非対応。)

AXIS Q8665-LE PTZ Network Camera

- 設置用補助装置
- インストール・管理ソフトウェアCD
- 印刷物
 - インストールガイド(本書)
 - 予備のシリアル番号ラベル×2

必要なハードウェア (ブラケットは別売)

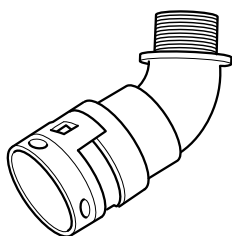
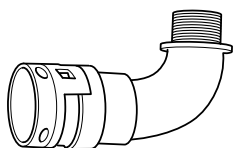
- AXIS壁面取付ブラケットK、または、AXIS柱頂取付ブラケットK



AXIS壁面ブラケットK

AXIS柱頂取付ブラケットK

- 壁面コンジットまたはカラムコンジット



壁面コンジット

カラムコンジット

オプションアクセサリ

- AXIS T95A64コーナーブラケット
- AXIS T95A67ポールブラケット
- AXISワッシャーキットA
- AXIS T8604メディアコンバータスイッチ

- AXIS T8640 PoE+ 同軸変換アダプター

利用可能なアクセサリについては、www.axis.comを参照してください。

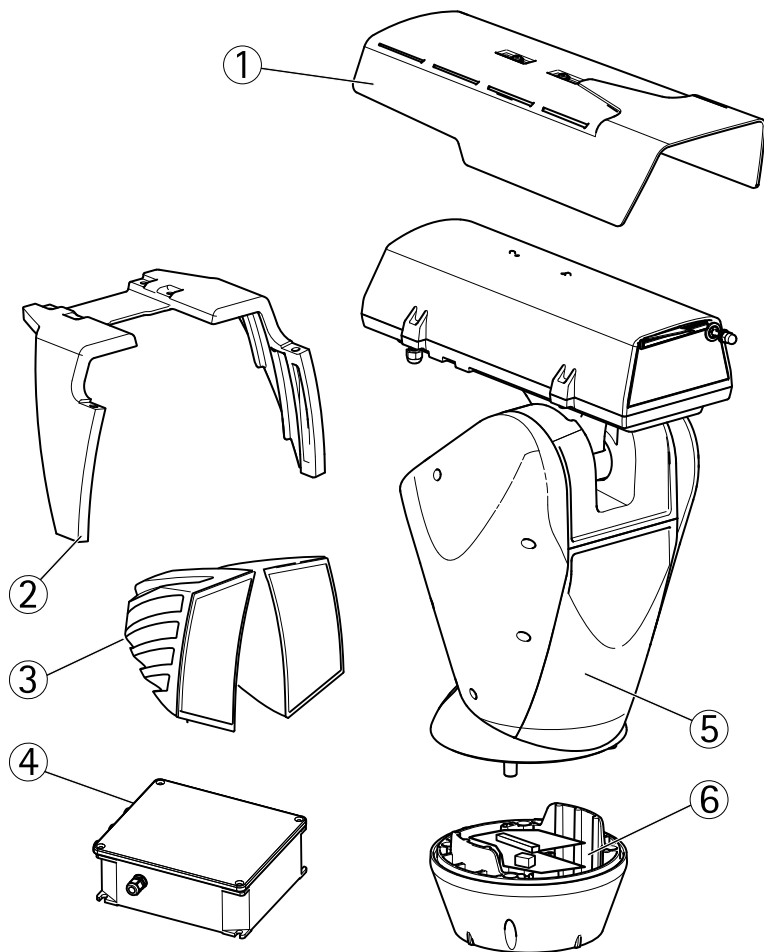
推奨ツール

- RJ45圧着工具
- ラチェットレンチセット
- 取り付け面に穴を開けるためのドリル
- Loctite® 243スレッドロック

ハードウェアの概要

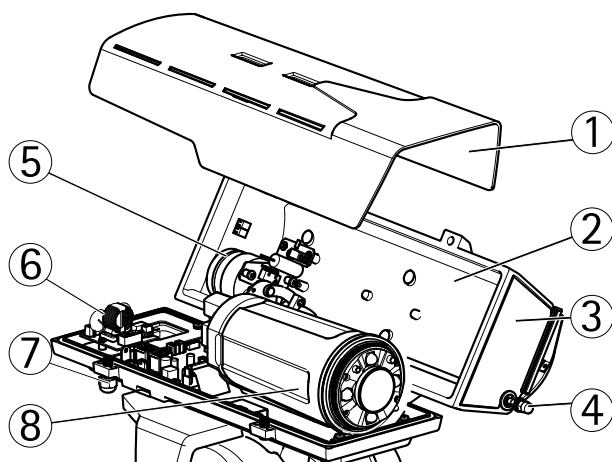
- ハウジングユニットの概要については、199ページの、ハウジングユニットを参照してください
- カメラのボタンおよびコネクターの概要については、200ページの、カメラユニットを参照してください
- イルミネーターの概要については、200ページを参照してください
- 光センサーボックスの概要については、201ページを参照してください

AXIS Q8665-LE PTZ Network Camera



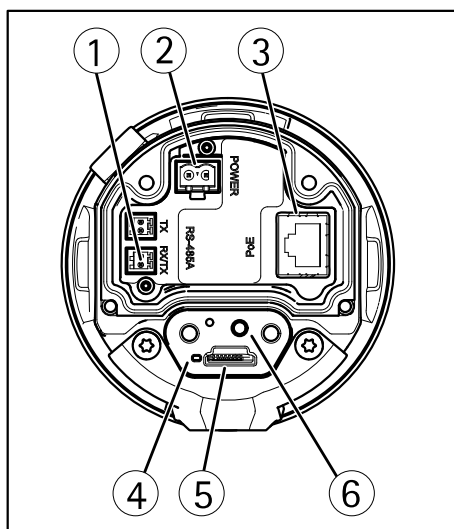
- 1 サンシールド
- 2 イルミネーターブラケット
- 3 イルミネーター
- 4 光センサーボックス (AXIS Q8665-LE 24 V ACには非対応。)
- 5 PTZネットワークカメラ
- 6 ベースユニット

ハウジングユニット



- 1 サンシールド
- 2 トップカバー
- 3 保護ウィンドウ
- 4 ワイパー
- 5 ワイパーモーター
- 6 イルミネーター回路基板
- 7 イルミネーターケーブルグランド
- 8 カメラユニット

カメラユニット

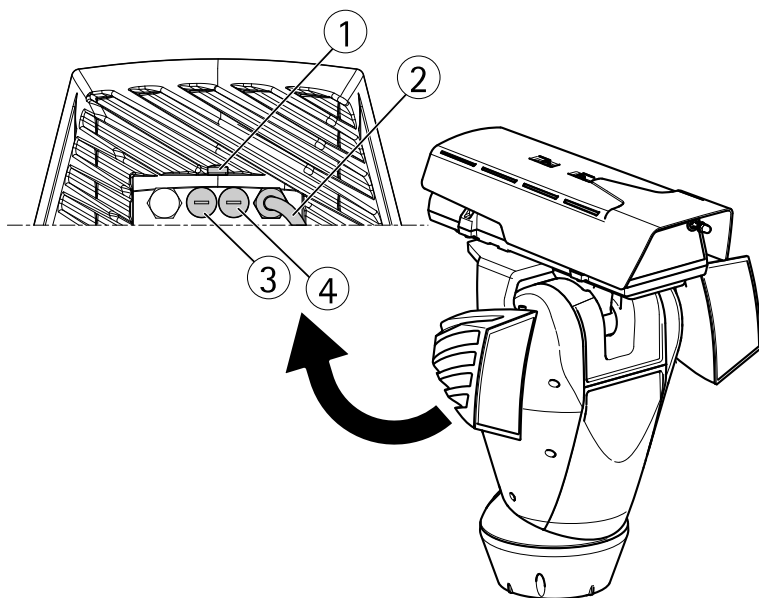


- 1 RS485/RS422コネクタ
- 2 電源コネクタ
- 3 ネットワークコネクタ
- 4 ステータスインジケータLED
- 5 microSDメモリーカードスロット
- 6 コントロールボタン

赤外線イルミネーター

重要

電源オン閾値レギュレータの位置を変更しないでください。

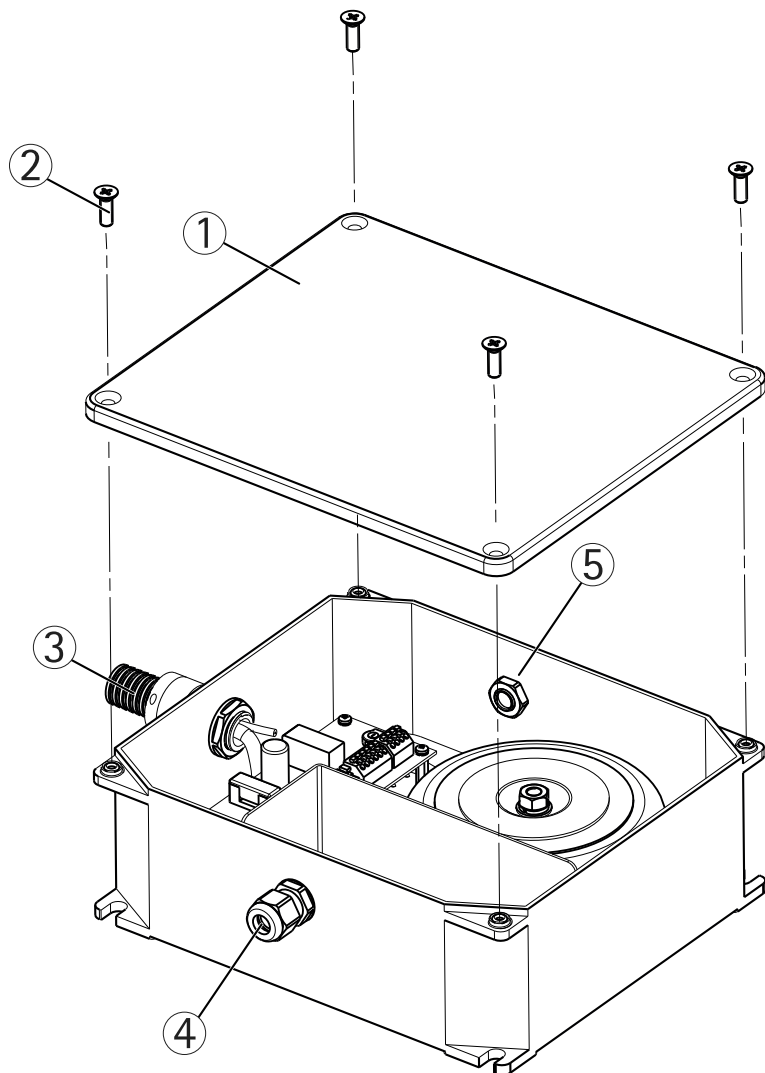


- 1 トワイライトセンサー
- 2 ケーブル
- 3 電源オン閾値レギュレータ
- 4 赤外線電源コントロール

光センサーボックス

光センサーボックスは、AXIS Q8665-LE 24 V ACには非対応です。

AXIS Q8665-LE PTZ Network Camera



- 1 蓋
- 2 ネジ×4
- 3 コンジット (電源、グラウンドケーブル、信号ケーブルを含む)
- 4 ケーブルグランド (入力メイン電源)
- 5 デイナイトセンサー

コネクタとボタン

仕様と動作条件については、204ページを参照してください。

ネットワークコネクタ

RJ45イーサネットコネクタ。

注記

本製品は、シールドネットワークケーブル(STP)を使用して接続してください。本製品は、用途に合ったケーブルを使用してネットワークに接続してください。ネットワーク装置がメーカーの指示どおりに設置されていることを確認します。法的要件については、*Electromagnetic Compatibility (EMC) on page 2*を参照してください。

コントロールボタン

コントロールボタンの位置については、197ページの、ハードウェアの概要を参照してください。

コントロールボタンは、以下の用途で使用します。

- 製品を工場出荷時の設定にリセットする。224ページを参照してください。
- AXIS Video Hosting SystemサービスまたはAXIS Internet Dynamic DNSサービスに接続する。これらのサービスの詳細については、ユーザーズマニュアルを参照してください。

SDカードスロット

注記

- SDカード損傷の危険があります。SDカードの挿入と取り外しの際には、鋭利な工具を使用したり、過剰な力をかけないでください。
- データ損失の危険があります。データが破損しないように、SDカードはマウント解除してから取り外す必要があります。SDカードをアンマウントするには、[Setup] (設定) > [System Options] (システムオプション) > [Storage] (ストレージ) > [SD Card] (SDカード) を選択し、[Unmount] (アンマウント) をクリックします。

本製品は、microSD/microSDHC/microSDXCカードに対応しています (別売)。

推奨するSDカードについては、www.axis.comを参照してください

AXIS Q8665-LE PTZ Network Camera

仕様

動作条件

製品	等級	温度	湿度
AXIS Q8665-LE	IEC/EN/UL 60529 IP66. NEMA 250 Type 4X	-40 ° C ~ 55 ° C	15 ~ 100% RH (結露可)

除氷

製品がオンになり、気温が0°Cを下回ると、自動的に除氷プロセスが開始されます。除氷プロセスにより、低温下でも製品を正常に動作させることができます。除氷時間は最大90分間継続します。この時間はカメラをオフにしてください。

電源

消費電力	赤外線アクティブ時	赤外線非アクティブ時
AXIS Q8665-LE	最大: 113 W 通常: 94 W	最大: 55 W 通常: 40 W

ユニット	入力電圧
ベースユニット	24 V AC、8 A
光センサーボックス	100 V AC、200 W 120 V AC、200 W 230 V AC、200 W

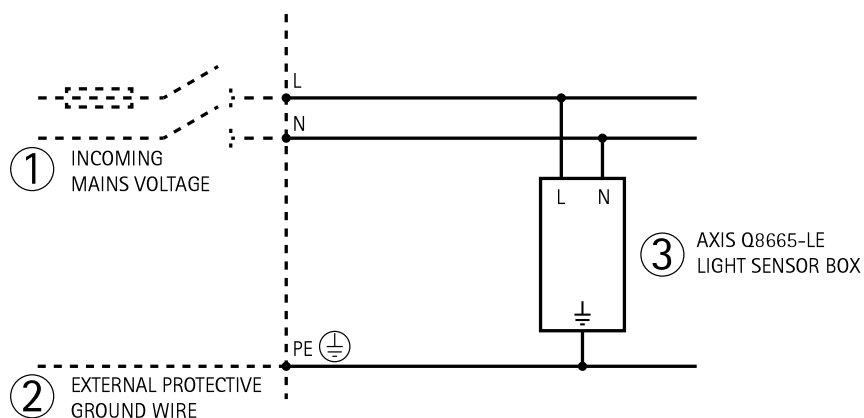
重要

- 火災の危険を減らすため、ULまたはCSA認定の電気通信ラインコードを使用してください。
- 光センサーボックスのIP準拠を維持するため、ケーブルの外径は7 mmである必要があります。パン/チルトユニットと光センサーボックスの間の電源ケーブルは、10 m未満にしてください。

電源ケーブル	バリエーション	ワイヤー数	ケーブルエリア
メイン電源ケーブル	24 V AC		
光センサーボックスのメイン電源ケーブル	100 V AC 120 V AC 230 V AC	3 (L、N、PE)	3.3 mm ² (AWG 12) ~ 2.1 mm ² (AWG 14)

光センサーボックス

接続図



赤外線イルミネーターの仕様

注意

距離および性能は、撮影場所や環境的な光条件によって変わります。

水平および垂直ビームのパターン	最大距離 (850 nm)
60°	最大 150 m

監視する場所が適切に照らし出されるよう、カメラの視野に応じてイルミネーターの角度を調節します。216ページの、*赤外線イルミネーターの設置*を参照してください。

ハードウェアの設置

光センサーボックス

ケーブルの接続

手順はAXIS Q8665-LE 24 V ACには非対応です。

▲警告

- 電気接続およびコンジットの取り付けは、必ず資格のある電気技師が地域の規制に従って行ってください。
- 感電の危険があります。本製品は、アース線を使用して接地してください。アース線の両端がアース面と接触していることを確認してください。
- 設置中はメイン電源を切断してください。

注記

製品指定の電源を使用してください。他の電源を使用すると保証の対象外となり、ユニットに問題が発生する可能性があります。

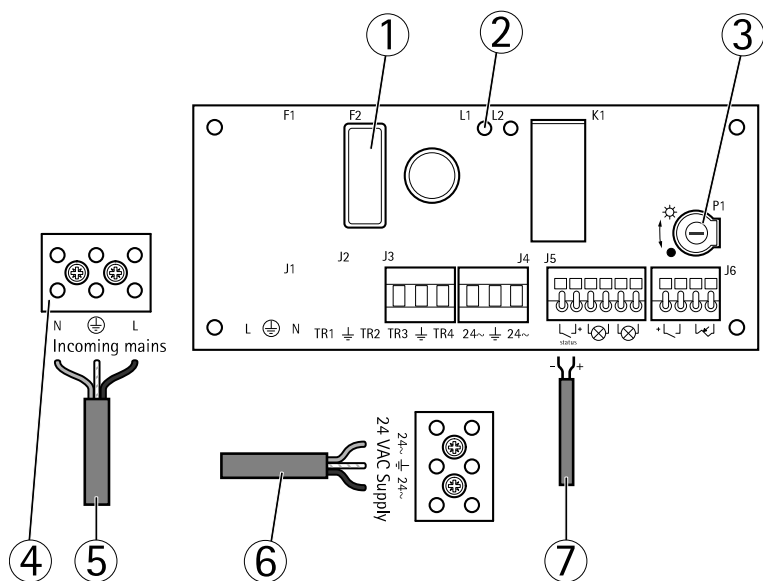
注意

- アース線は他の2本のワイヤーより10 mmほど長くし、不意に切断しないようにする必要があります。
 - デイナイトセンサーを使用する場合は、光センサーボックスを配置し、デイナイトセンサーが昼夜の変化を検知できるようにします。
1. 蓋を外し、光センサーボックスを開きます。ハードウェアの概要については、201ページを参照してください。

注意

取り付けを簡単に行えるようにするため、コネクタブロックは取り外し、ワイヤーを接続してから元の位置に戻せるようになっています。

2. メイン電源ワイヤーをメイン電源コネクタブロックに接続します。



- 1 ヒューズホルダーとヒューズ (T8A L 250 V)
- 2 ヒューズLED
- 3 ポテンシヨメーターP1
- 4 メイン電源ブロックコネクター
- 5 メイン電源ケーブル
- 6 パン/チルトユニット電源ケーブル (24 VAC) (取り付け済み)
- 7 信号ケーブル (取り付け済み)

3. ケーブルグランドキャップをしっかりと締めます。
4. 必要な場合、ダイナイトセンサー感度の強弱の調整にはポテンシヨメーターP1を使用します。207ページの、*ダイナイトセンサーの調節*を参照してください。
5. 光センサーボックスを閉じてネジを締めます。

ダイナイトセンサーの調節

注意

カメラの内蔵ダイナイトセンサーは、既定でアクティブです。光センサーボックスのダイナイトセンサーを使用するには、製品設定ページからアクティブにする必要があります。

AXIS Q8665-LE PTZ Network Camera

光センサーボックスのデイナイトセンサーを使用する場合、ポテンシオメーターを調節して現場の具体的な条件に合わせます。

- ポテンシオメーターを時計方向に回すと閾値が上がり、ナイトモードへの切り替わりが早まります。
- ポテンシオメーターを反時計方向に回すと閾値が下がり、ナイトモードへの切り替わりが遅くなります。ナイトモードはボードの赤色LEDで示されます。ナイトモードに移行するとイルミネーターが起動します。

ブラケットの取り付け (別売)

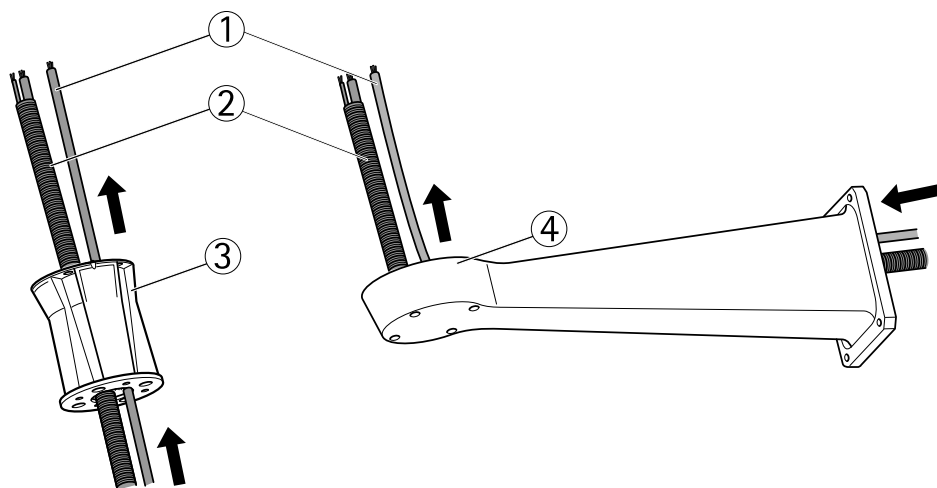
ブラケットは別売です。利用可能なアクセサリについては、www.axis.comを参照してください。

▲警告

損傷の危険があります。操作前に製品が建物の表面に固定されていることを確認してください。

重要

- ブラケットをコンクリート面に取り付ける際は、締め付けトルクが300 dN以上のドエルピンを使用してください。
 - ブラケットを金属面に取り付ける際には、直径が8 mmのネジを使用してください。
1. 選択したブラケットを壁面、欄干またはポールに取り付けるための準備をします。
 2. ネットワークケーブルおよびコンジットケーブルをブラケットに通します。ベースユニットとの接続のために50 cmケーブルを残します。



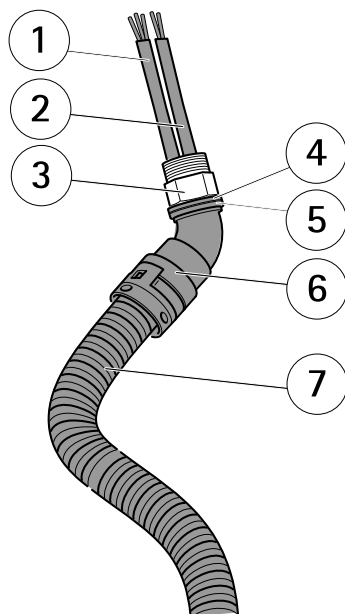
- 1 ネットワークケーブル
- 2 コンジットケーブル (電源、信号ケーブルを含む)
- 3 柱頂取付ブラケット
- 4 壁面ブラケット

ベースユニットのブラケットへの取り付け

▲警告

電気接続およびコンジットの取り付けは、必ず資格のある電気技師が地域の規制に従って行ってください。

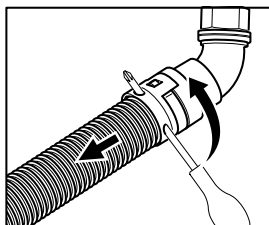
1. ベースユニット内の乾燥剤を取り出します。
2. コンジットケーブルにコンジットを取り付けます。
3. コンジットにワッシャー2つとナットを取り付けます。



- 1 電源ケーブル
- 2 信号ケーブル
- 3 取付ナット
- 4 ワッシャー
- 5 ワッシャー
- 6 コンジット
- 7 コンジットケーブル

注意

コンジットケーブルからコンジットを外すには、ドライバーを挿入し、コンジットを引っ張りながら回します。



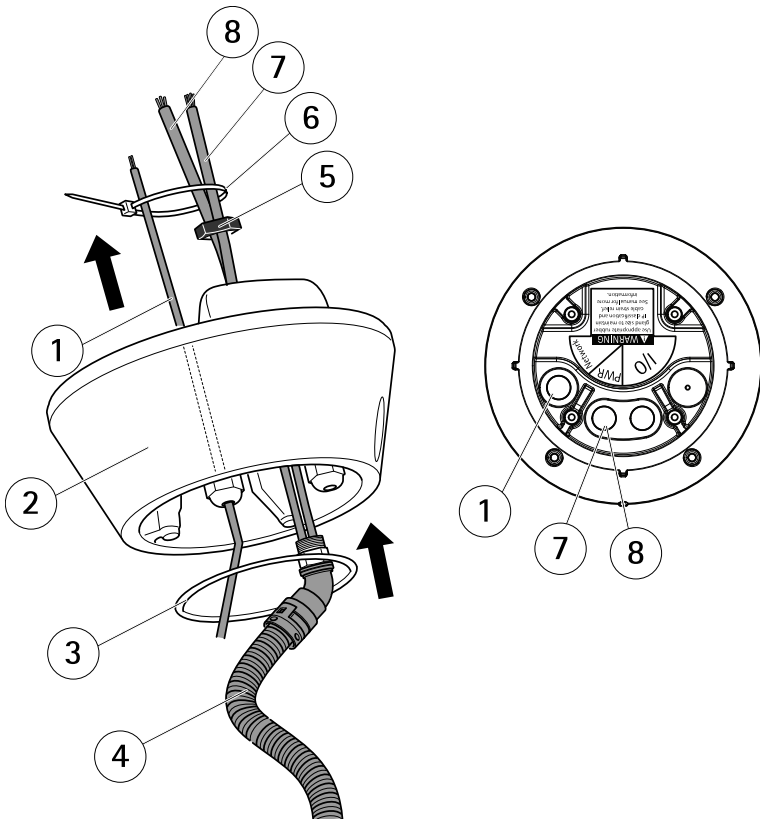
4. シールが正しい位置にあることを確認します。

5. 電源ケーブルと信号ケーブルを、図に示されているケーブルグランドを通して配線します。
6. コンジットに取り付ナットを取り付けます。
7. ネットワークケーブルを、図に示されているケーブルグランドを通して配線します。

注記

製品のIP規格への適合を維持し、ケーブルの損傷を減らすため、ケーブルグランドはしっかりと締めてください。

8. ケーブルが抜け出ないように、ケーブル配線したらケーブルグランドをしっかりと締めます。
9. ケーブルタイを取り付け、ケーブルを固定します。



1 ネットワークケーブル

- 2 ベースユニット
- 3 シール
- 4 コンジットケーブル
- 5 取付ナット
- 6 ケーブルタイ
- 7 信号ケーブル
- 8 電源ケーブル

重要

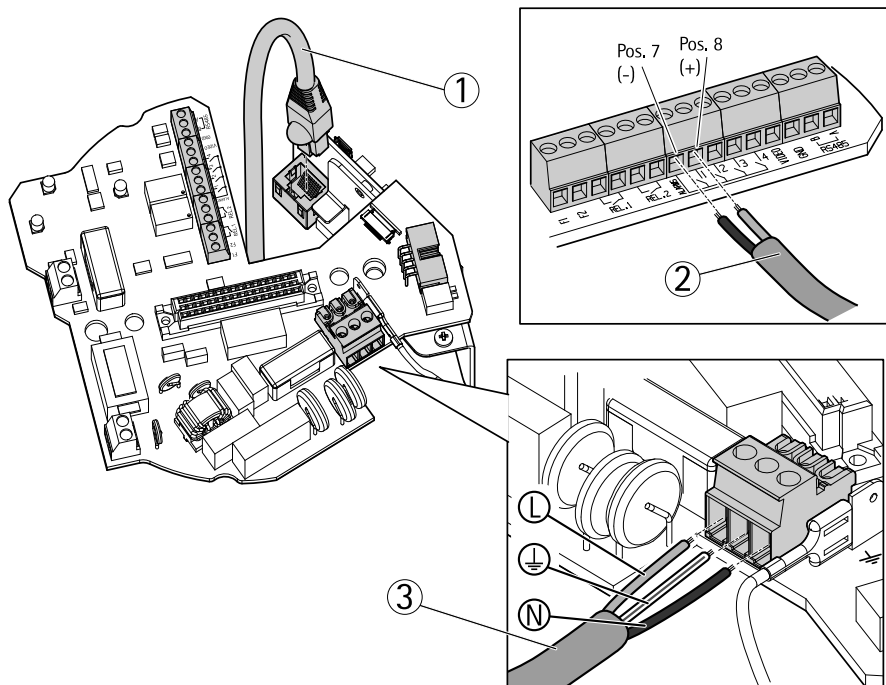
ベースユニットのディップスイッチは工場出荷時に適切なPTZ プロトコルに合わせて設定されているので、変更しないでください。

10. イルミネーター信号ケーブルをベースユニットのコネクター (ALARMSおよび1) に接続します。
11. RJ45 圧着工具を使用して、メーカーの説明書に従ってネットワークケーブルの被覆を剥き、圧着を行います。
12. ネットワークケーブルをベースユニットのネットワークコネクターに接続します。

注意

取り付けを簡単に行えるようにするため、電源コネクターブロックは回路基板から取り外して正しく接続してから元の位置に戻せるようになっています。

13. 電源ケーブルをベースユニットの電源コネクターに接続します。緑/黄のグランド線がミドルピンに接続されていることを確認してください。

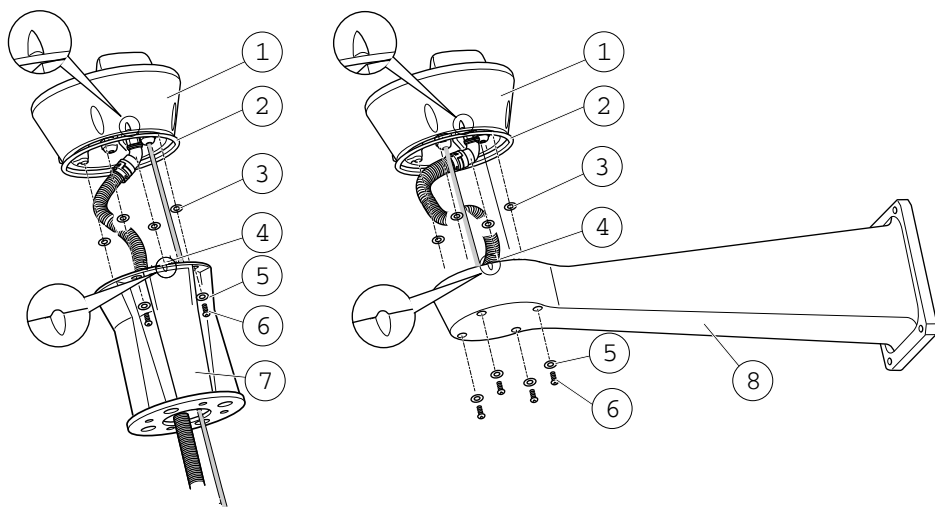


- 1 ネットワークケーブル
- 2 信号ケーブル
- 3 電源ケーブル

注意

ベースユニットは、ブラケットの4つの異なる位置に取り付けることができます。

14. 設定ボードにアクセスするのに適切な位置を見つけるには、位置合わせインジケータを使用します。その位置で、トラブルシューティングを行う際などにネットワークコネクタにアクセスしやすいように穴が開くようになっています。
15. ケーブル接続後にたるみがある場合、ケーブルグランドを緩め、たるみをなくしてから再度ケーブルグランドを取り付けます。
16. ネジおよびワッシャーを使用して、ベースユニットをブラケットに装着します。
17. ネジにはLoctite® 243スレッドロッカーを塗布し、ネジを締めます (トルク 4 Nm)。



- 1 ベースユニット
- 2 シール
- 3 ワッシャ×4
- 4 位置合わせ用インジケータ
- 5 ワッシャ×4
- 6 ネジ×4
- 7 柱頂取付ブラケット
- 8 壁面ブラケット

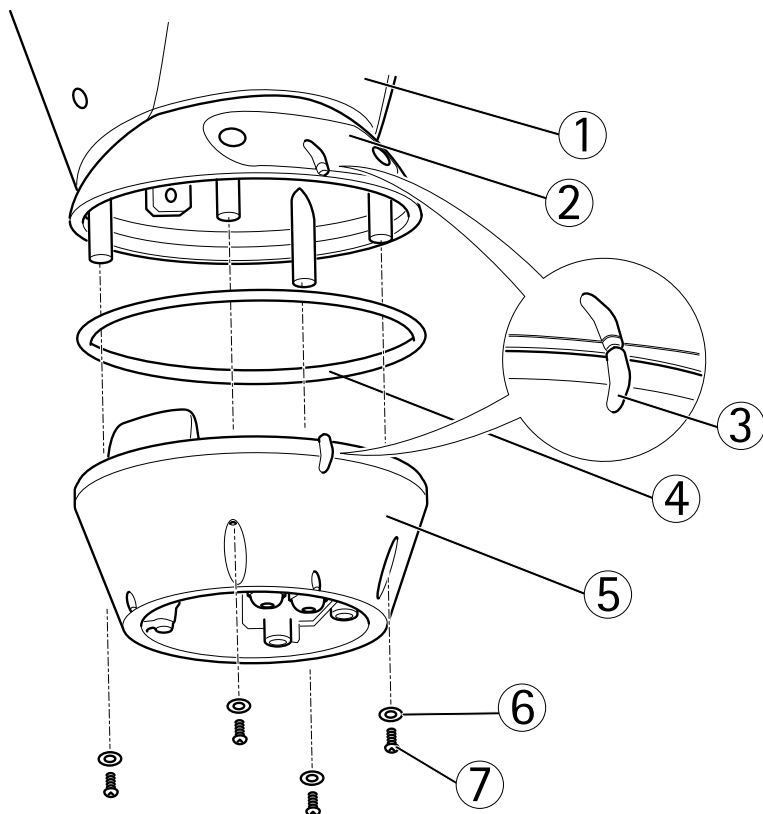
パン/チルトユニットのベースユニットへの取り付け

注記

各ユニットの位置合わせには位置合わせ用インジケータを使用します。位置が正しくない場合、部品が損傷する可能性があります。

重要

- 製品は垂直になるように組み立ててください。製品を逆向きに取り付けないでください。
 - 図に示されているように、パン/チルトユニットは上からまっすぐ接続してください。ベースユニットにチルトさせないでください。
1. シールが正しい位置にあることを確認します。
 2. カメラのハウジングを後ろ側にチルトさせます。
 3. パン/チルトユニットをベースユニットに取り付け、付属の六角レンチを使用してネジを締めます (トルク4 Nm)。



- 1 パン/チルトユニット
- 2 設定ボードの蓋
- 3 位置合わせ用インジケーター
- 4 シール
- 5 ベース
- 6 ワッシャ×4
- 7 ネジ×4

4. これで、機械部分の設置は完了です。カメラユニットにアクセスするには、221ページの、製品へのアクセスを参照してください。ビデオストリームにアクセスする方法については、製品のユーザーズマニュアルも参照してください。

赤外線イルミネーターの設置

▲警告

- 眼に有害な可能性がある赤外光 (リスクグループ2) を放射します。与えられている指示に従ってください。赤外線光を凝視しないように注意し、適切な遮蔽または眼の保護の措置を講じてください。
- 感電の危険があります。電源供給が切断されていることを確認します。

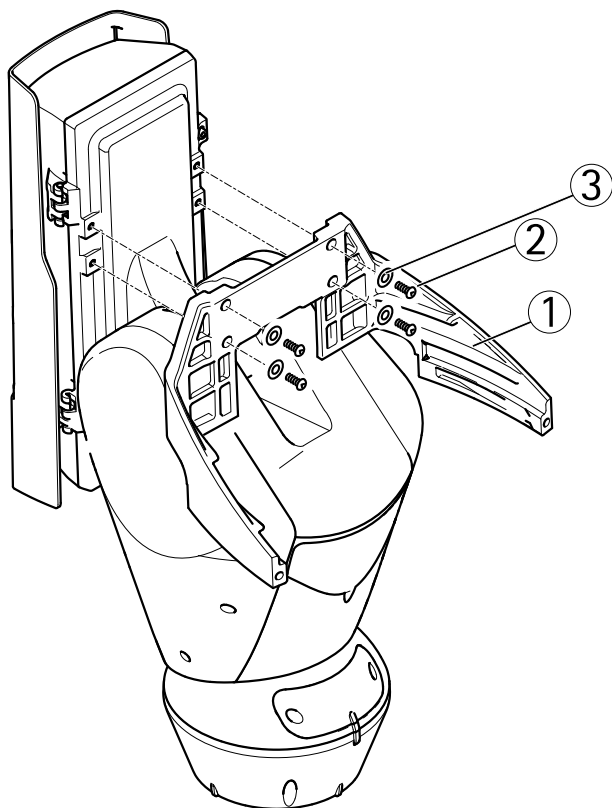
▲注意

正常動作時は、イルミネーター表面が高温になることがあります。直接接触を許可しないでください。また、権限のない担当者の手が届かない所に装置を配置してください。接触前にイルミネーターのスイッチをオフにし、最低10分間冷却してください。

重要

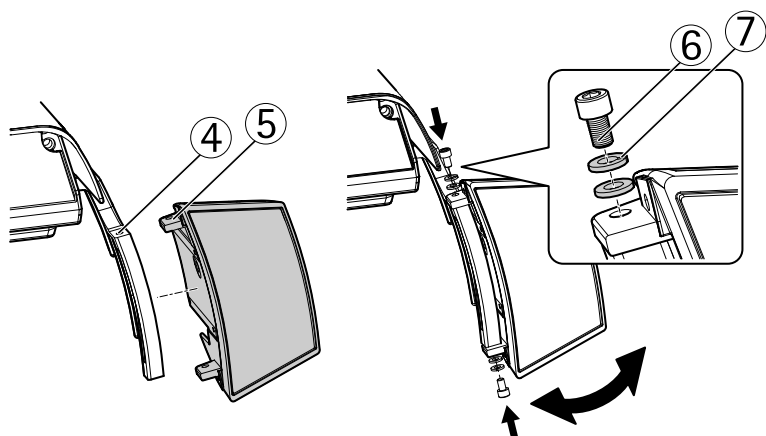
適切に動作させるには、両方のイルミネーターを一緒に設置する必要があります。

1. ブラケットをハウジングの下部に配置してください。
2. ネジおよびワッシャーを穴の中に設置して締めます (トルク4 Nm)。ブラケットがしっかりと固定されていることを確認します。



- 1 ブラケット
- 2 ネジ
- 3 ワッシャー

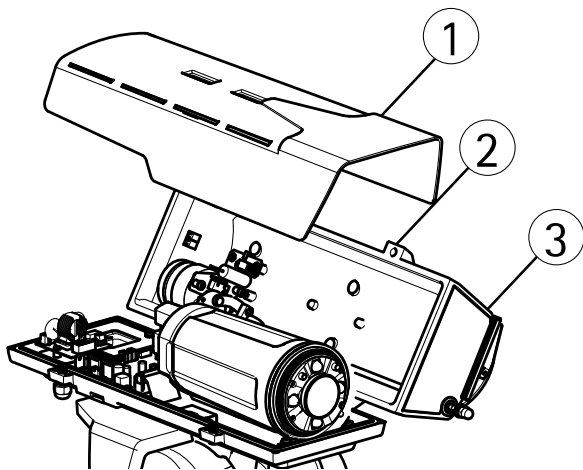
- 3. イルミネーターを上側および下側のブラケット固定具の上にスライドさせます。
- 4. イルミネーターの角度を環境に合わせて調節します。
- 5. ネジおよびワッシャーを取り付けます (トルク6 Nm)。



- 4 ブラケット固定具
- 5 イルミネーター固定具
- 6 ネジ
- 7 ワッシャー

赤外線イルミネーターへの接続

1. 2本のネジを外し、ハウジングのトップカバーを取り外します。



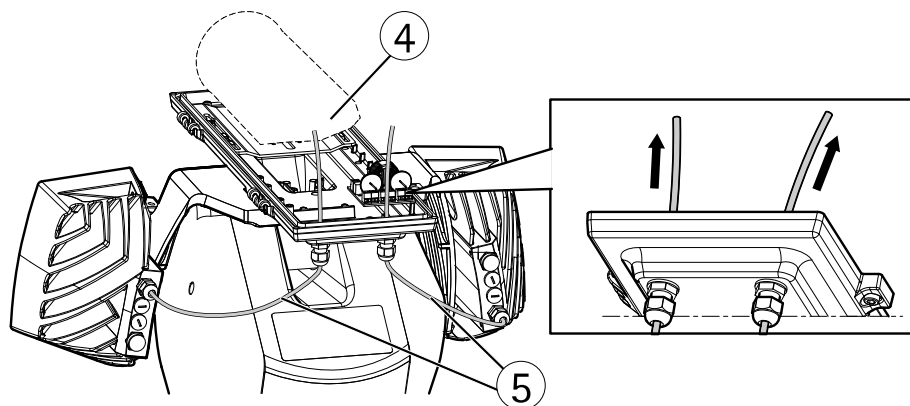
- 1 サンシールド
- 2 ネジ

3 トップカバー

重要

ユニットでの安全性と正常な動作を確保するため、余分なケーブルは外部に出したままにしないでください。

- ハウジングを通してケーブルを装着します。25 cmケーブルを残します。



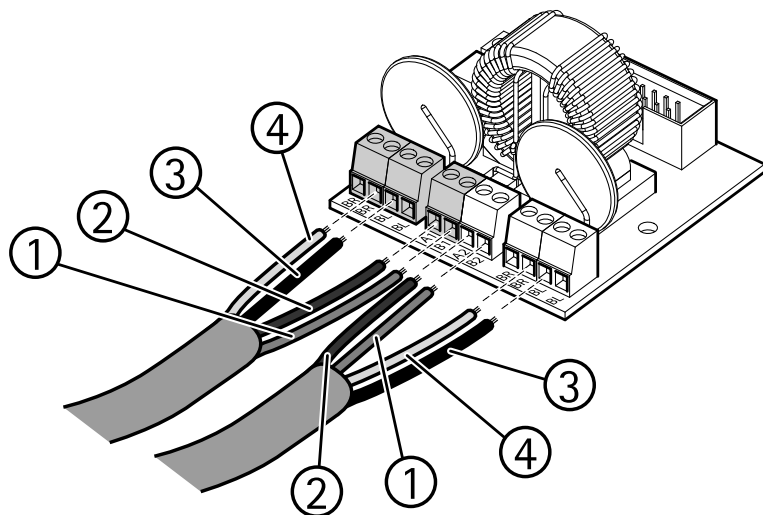
- 4 トップカバー
- 5 ケーブル

- 図に示すようにケーブルを接続します。

注意

ハウジングを閉じるときに、ケーブルを圧迫しないよう注意してください。

- ハウジングを閉じ、2本のネジを取り付けます。



ケーブル位置については、表を参照してください。

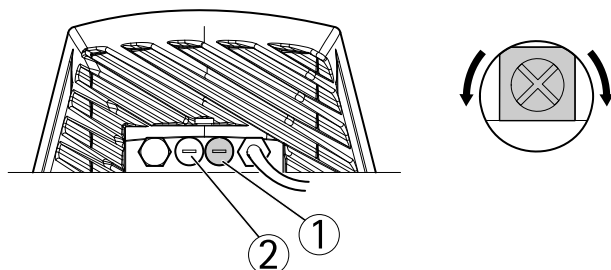
図での位置	左側のイルミネーター		右側のイルミネーター	
	ボードの記載	ケーブルの色	ボードの記載	ケーブルの色
4	WH	白または黄	WH	白または黄
3	BK	黒	BK	黒
2	A1	緑または青	A2	緑または青
1	B1	赤	B2	赤

赤外線イルミネーター電源の調節

重要

電源オン閾値レギュレータの位置を変更しないでください。

- 赤外線イルミネーター電源を調節するには、密封プラグを緩めます。
 - 赤外線電源管理を時計回りに調節すると、電力が大きくなります。
 - 赤外線電源管理を反時計回りに調節すると、電力が小さくなります。



- 1 赤外線電源管理
- 2 電源オン閾値レギュレータ

製品へのアクセス

IPアドレスの割り当て、パスワードの設定、ビデオストリームへのアクセスを行うには、インストール・管理ソフトウェアCDに収録されているツールを使用します。この情報は、Axisのサポートページ (www.axis.com/techsup) にも掲載されています。

パン/チルト/ズーム

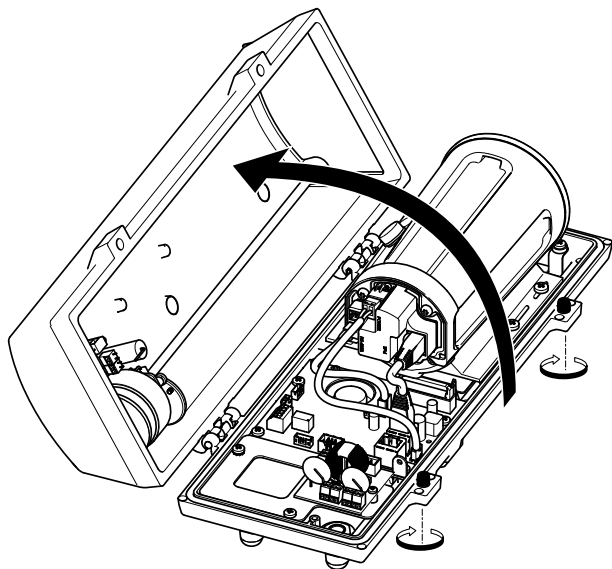
▲注意

可動部分は危険です。動作中は手など体を製品に近づけないでください。

PTZ機能の制御はネットワークカメラを使って行います。PTZ機能を有効にすると、ネットワークカメラのWebページからパン/チルト/ズームを制御できるようになります。 www.axis.com で入手できるユーザーマニュアルを参照してください。

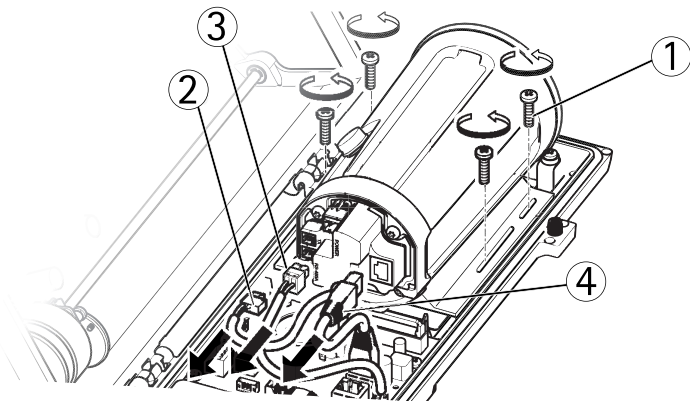
カメラユニットへのアクセス

SDカードの取り付けまたはカメラを工場出荷時の設定にリセットするためにカメラユニットにアクセスするには、2本のネジを外してトップカバーを開きます。



SDカードの装着

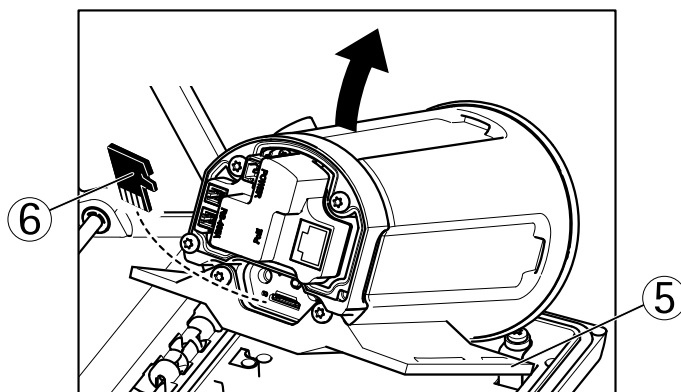
1. 電源ケーブル、ネットワークケーブル、およびRX/TXケーブルを取り外します。
2. 4本のネジを外します。



- 1 ネジ
- 2 電源ケーブル

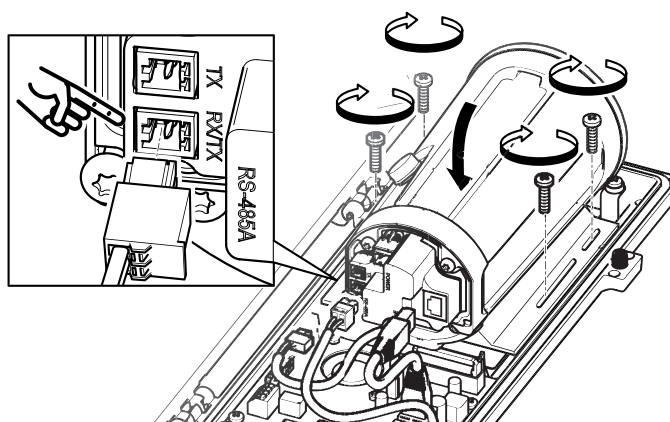
- 3 RX/TXケーブル
- 4 ネットワークケーブル

3. ブラケットを含めカメラを持ち上げ、SDカードを挿入します。



- 5 ブラケット
- 6 SDカード

4. ケーブルを取り付け、4本のネジを取り付けます。



工場出荷時の設定にリセットする

重要

工場出荷時の設定へのリセットは慎重に行ってください。工場出荷時の設定へのリセットを行うと、IPアドレスを含むすべての設定が工場出荷時の値にリセットされます。

注意

インストール・管理ソフトウェアツールは、製品に付属のCDと、www.axis.com/techsupのサポートページから入手できます。

本製品を工場出荷時の設定にリセットするには、以下の手順を実行します。

1. 本製品の電源を切ります。
2. コントロールボタンを押し続けながら電源を再投入します。「197ページの、ハードウェアの概要」を参照してください。
3. ステータスLEDインジケーターが黄色に点滅するまで、コントロールボタンを約15～30秒間押し続けます。
4. コントロールボタンを離します。プロセスが完了すると、ステータスLEDが緑色に変わります。これで本製品は工場出荷時の設定にリセットされました。ネットワーク上に利用可能なDHCPサーバーがない場合、デフォルトのIPアドレスは192.168.0.90になります。
5. インストール・管理ソフトウェアツールを使用して、IPアドレスの割り当て、パスワードの設定、ビデオストリームへのアクセスを行います。

Webインターフェースを使用して、各種パラメーターを工場出荷時の設定に戻すこともできます。[Setup - System Options - Maintenance] (設定 - システムオプション - 保守) を選択します。

光センサーボックスのヒューズの交換

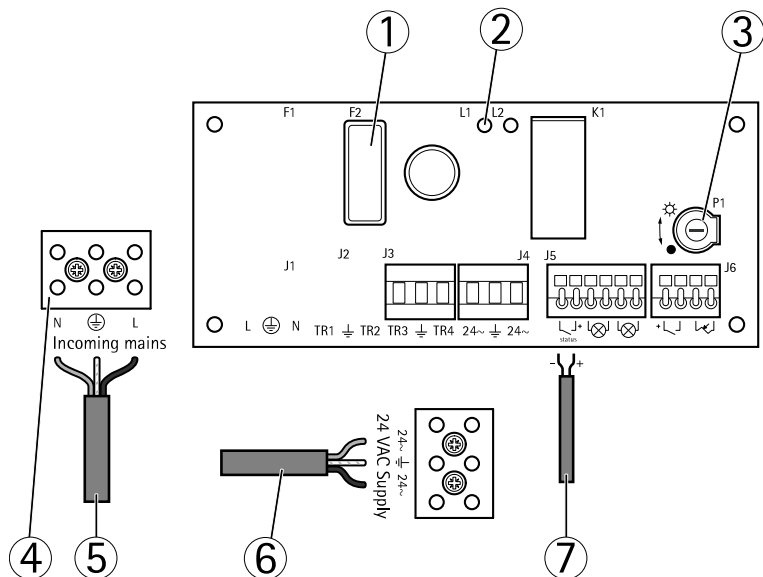
▲危険

感電の危険があります。パネル内部で作業する前に装置への電源供給を切断してください。

▲注意

- 電気接続およびコンジットの取り付けは、必ず資格のある電気技師が地域の規制に従って行ってください。
 - 火災の危険があります。火災の危険を継続的に防ぐため、ヒューズは同じ種類および規格のものと交換する必要があります。
1. 電源供給を切断してください。

2. ネジを取り外し、光センサーボックスの蓋を開きます。
3. マルチメーターを使用してヒューズを確認します。
 - ヒューズが切れていない場合は、226ページの、ベースユニットのヒューズの交換に進みます。
 - ヒューズが切れている場合は、ヒューズを交換します。以下の表を参照してください。
4. 光センサーボックスに蓋を取り付けます。



- 1 ヒューズホルダーとヒューズ
- 2 ヒューズLED
- 3 ポテンショメーターP1
- 4 メイン電源ブロックコネクター
- 5 メイン電源ケーブル
- 6 パン/チルトユニット電源ケーブル (24 VAC) (取り付け済み)
- 7 信号ケーブル (取り付け済み)

ヒューズの仕様	
電圧	ヒューズ
100/120/230 V AC	T8A L 250 V

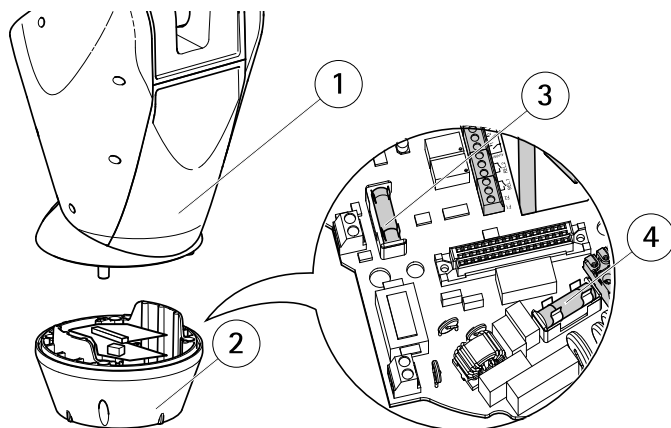
ベースユニットのヒューズの交換

▲危険

感電の危険があります。ベースユニット内部で作業する前に装置への電源供給をオフにしてください。

▲注意

- 電気接続およびコンジットの取り付けは、必ず資格のある電気技師が地域の規制に従って行ってください。
 - 火災の危険があります。火災の危険を継続的に防ぐため、ヒューズは同じ種類および規格のものと交換する必要があります。
1. 4本のネジを取り外し、ベースユニットからパン/チルトユニットを分けます。ハードウェアの概要を参照してください。
 2. マルチメーターを使用してヒューズを確認します。ヒューズが切れている場合は、ヒューズを交換します。以下の表を参照してください。



- 1 パン/チルトユニット
- 2 ベースユニット
- 3 ヒューズF1
- 4 ヒューズF2

ヒューズの仕様		
電圧	ヒューズ F1 5x20	ヒューズ F2 5x20
24/100 V AC (50/60 Hz)	F 6.3 A 250 V	T 8 A 250 V

120 V AC (50/60 Hz)	F 6.3 A 250 V	T 4 A 250 V
230 V AC (50/60 Hz)	F 6.3 A 250 V	T 2 A 250 V

3. パン/チルトユニットをベースユニットに取り付けます。

関連情報

ユーザーズマニュアルは、www.axis.comで入手できます。

www.axis.com/techsuplにアクセスして、ご使用のネットワーク製品の新しいファームウェアがリリースされていないかを確認してください。現在インストールされているファームウェアのバージョンを確認するには、**[Setup - About] (設定 - バージョン情報)**を参照してください。

Axisラーニングセンター (www.axis.com/academy) にアクセスしてください。役に立つトレーニング、ウェブセミナー、チュートリアル、ガイドをご用意しています。

保証情報

Axisの製品保証と関連情報については、www.axis.com/warranty/をご覧ください

