

# INSTALLATION GUIDE

## AXIS Q1755-E Network Camera

ENGLISH

FRANÇAIS

DEUTSCH

ITALIANO

ESPAÑOL

## Legal Considerations

Video and audio surveillance can be prohibited by laws that vary from country to country. Check the laws in your local region before using this product for surveillance purposes. This product includes one (1) H.264 decoder license and (1) AAC decoder license. To purchase further licenses, contact your reseller.

## Liability

Every care has been taken in the preparation of this document. Please inform your local Axis office of and inaccuracies or omissions. Axis Communications AB cannot be held responsible for any technical or typographical errors and reserves the right to make changes to the product and manuals without prior notice. Axis Communications AB makes no warranty of any kind with regard to the material contained within this document, including, but not limited to, the implied warranties of merchantability and fitness for a particular purpose. Axis Communications AB shall not be liable nor responsible for incidental or consequential damages in connection with the furnishing, performance or use of this material. This product is only to be used for its intended purpose.

## Intellectual Property Rights

Axis AB has intellectual property rights relating to technology embodied in the product described in this document. In particular, and without limitation, these intellectual property rights may include one or more of the patents listed at [www.axis.com/patent.htm](http://www.axis.com/patent.htm) and one or more additional patents or pending patent applications in the US and other countries.

## Equipment Modifications

This equipment must be installed and used in strict accordance with the instructions given in the user documentation. This equipment contains no user-serviceable components. Unauthorized equipment changes or modifications will invalidate all applicable regulatory certifications and approvals.

## Trademark Acknowledgments

AXIS COMMUNICATIONS, AXIS, ETRAX, ARTPEC and VAPIX are registered trademarks or trademark applications of Axis AB in various jurisdictions. All other company names and products are trademarks or registered trademarks of their respective companies.

Apple, Boa, Apache, Bonjour, Ethernet, Internet Explorer, Linux, Microsoft, Mozilla, Real, SMPTE, QuickTime, UNIX, Windows, Windows Vista and WWW are registered trademarks of the respective holders. Java and all Java-based trademarks and logos are trademarks or registered trademarks of Oracle and/or its affiliates. UPnP™ is a certification mark of the UPnP™ Implementers Corporation.

SD, SDHC and SDXC are trademarks or registered trademarks of SD-3C, LLC in the United States, other countries or both. Also, miniSD, microSD, miniSDHC, microSDHC, microSDXC are all trademarks or registered trademarks of SD-3C, LLC in the United States, other countries or both.

## Regulatory Information

### CE Europe

This product complies with the applicable CE marking directives and harmonized standards:

- Electromagnetic Compatibility (EMC) Directive 2004/108/EC. See Electromagnetic Compatibility (EMC), on page 2.
- Low Voltage (LVD) Directive 2006/95/EC. See Safety below.
- Restrictions of Hazardous Substances (RoHS) Directive 2011/65/EU. See Disposal and Recycling below.

A copy of the original declaration of conformity may be obtained from Axis Communications AB. See Contact Information below.

### Electromagnetic Compatibility (EMC)

This equipment has been designed and tested to fulfill applicable standards for:

- Radio frequency emission when installed according to the instructions and used in its intended environment.
- Immunity to electrical and electromagnetic phenomena when installed according to the instructions and used in its intended environment.

### USA

This equipment has been tested using a shielded network cable (STP) and found to comply with the limits for a Class B digital device, pursuant to part 15 of the FCC Rules. These limits are designed to provide reasonable protection against harmful interference in a residential installation. This equipment generates, uses and can radiate radio frequency energy and, if not installed and used in accordance with the instructions, may cause harmful interference to radio communications. However, there is no guarantee that interference will not occur in a particular installation. If this equipment does cause harmful interference to radio or television reception, which can be determined by turning the equipment off and on, the user is encouraged to try to correct the interference by one or more of the following measures:

- Reorient or relocate the receiving antenna.
- Increase the separation between the equipment and receiver.
- Connect the equipment into an outlet on a circuit different from that to which the receiver is connected.
- Consult the dealer or an experienced radio/TV technician for help.

The product shall be connected using a shielded network cable (STP) that is properly grounded.

### Canada

This Class B digital apparatus complies with Canadian ICES-003. The product shall be connected using a shielded network cable (STP) that is properly grounded.

Cet appareil numérique de la classe B est conforme à la norme NMB-003 du Canada. Le produit doit être connecté à l'aide d'un câble réseau blindé (STP) qui est correctement mis à la terre.

### Europe

This digital equipment fulfills the requirements for RF emission according to the Class B limit of EN 55022. The product shall be connected using a shielded network cable (STP) that is properly grounded.

## Australia/New Zealand

This digital equipment fulfills the requirements for RF emission according to the Class B limit of AS/NZS CISPR 22. The product shall be connected using a shielded network cable (STP) that is properly grounded.

**Japan** - この装置は、クラスB 情報技術装置です。この装置は、家庭環境で使用することを目的としていますが、この装置がラジオやテレビジョン受信機に近接して使用されると、受信障害を引き起こすことがあります。取扱説明書に従って正しい取り扱いをして下さい。

**Korea** - 이 기기는 가정용(B급) 전자파적합기기로서 주로 가정에서 사용하는 것을 목적으로 하며, 모든 지역에서 사용할 수 있습니다.

## Safety

This product complies with IEC/EN 60950-1 and IEC/EN 60950-22, Safety of Information Technology Equipment. The product shall be grounded either through a shielded network cable (STP) or other appropriate method. The power supply used with this product shall fulfill the requirements for Safety Extra Low Voltage (SELV) and Limited Power Source (LPS) according to IEC/EN 60950-1.

## Disposal and Recycling

When this product has reached the end of its useful life, dispose of it according to local laws and regulations. For information about your nearest designated collection point, contact your local authority responsible for waste disposal. In accordance with local legislation, penalties may be applicable for incorrect disposal of this waste.



## Europe

This symbol means that the product shall not be disposed of together with household or commercial waste. Directive 2012/19/EU on waste electrical and electronic equipment (WEEE) is applicable in the European Union member states. To prevent potential harm to human health and the environment, the product must be disposed of in an approved and environmentally safe recycling process. For information about your nearest designated collection point, contact your local authority responsible for waste disposal. Businesses should contact the product supplier for information about how to dispose of this product correctly. This product complies with the requirements of Directive 2011/65/EU on the restriction of the use of certain hazardous substances in electrical and electronic equipment (RoHS).



## China

This product complies with the requirements of the legislative act Administration on the Control of Pollution Caused by Electronic Information Products (ACPEIP).

## Contact Information

Axis Communications AB  
Emdalavägen 14  
223 69 Lund  
Sweden  
Tel: +46 46 272 18 00  
Fax: +46 46 13 61 30  
www.axis.com

## Support

Should you require any technical assistance, please contact your Axis reseller. If your questions cannot be answered immediately, your reseller will forward your queries through the appropriate channels to ensure a rapid response. If you are connected to the Internet, you can:

- download user documentation and software updates
- find answers to resolved problems in the FAQ database. Search by product, category, or phrase
- report problems to Axis support staff by logging in to your private support area
- chat with Axis support staff (selected countries only)
- visit Axis Support at [www.axis.com/techsup/](http://www.axis.com/techsup/)

## Learn More!

Visit Axis learning center [www.axis.com/academy/](http://www.axis.com/academy/) for useful trainings, webinars, tutorials and guides.

## Safeguards and warnings

Please read through this Installation Guide carefully before installing the product. Keep the Installation Guide for further reference.

### CAUTION!

- When transporting the Axis product, use the original packaging or equivalent to prevent damage to the product.
- Avoid exposing the Axis product to vibration, shocks or heavy pressure and do not install the camera on unstable brackets, unstable or vibrating surfaces or walls, since this could cause damage to the product.
- Only use handtools when installing the camera, the use of electrical tools or excessive force could cause damage to the product.
- Do not use chemicals, caustic agents, or aerosol cleaners. Use a damp cloth for cleaning.
- Only use accessories and replacement parts provided or recommended by Axis.
- Do not attempt to repair the product by yourself, contact Axis or your Axis reseller for service matters

### IMPORTANT!

- This Axis product must be used in compliance with local laws and regulations.
- Store and transport the Axis product in a dry and ventilated environment.

### Safety Notice – Battery replacement

This Axis product uses a 3.0V CR2032 Lithium battery as the power supply for its internal real-time clock (RTC). Under normal conditions this battery will last for a minimum of 5 years. Low battery power affects the operation of the RTC, causing it to reset at every power-up. A log message will appear when the battery needs replacing. The battery should not be replaced unless required!

If the battery does need replacing, please contact [www.axis.com/techsup](http://www.axis.com/techsup) for assistance.

- Danger of Explosion if battery is incorrectly replaced
- Replace only with the same or equivalent battery, as recommended by the manufacturer.
- Dispose of used batteries according to the manufacturer's instructions.



# AXIS Q1755-E Installation Guide

This installation guide provides instructions for installing an AXIS Q1755-E Network Camera on your network. For all other aspects of using the product, please see the User's Manual, available on the CD included in this package, or from [www.axis.com](http://www.axis.com)

## Installation steps

1. Check the package contents against the list below.
2. Hardware overview. See page 6.
3. Install the hardware. See page 8.
4. Assign an IP address. See page 12.
5. Set the password. See page 15.



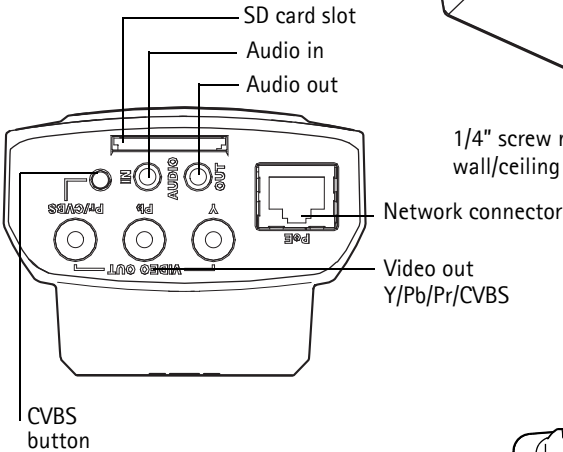
**Important!**  
This product must be used in compliance with local laws and regulations.

## 1 Package contents

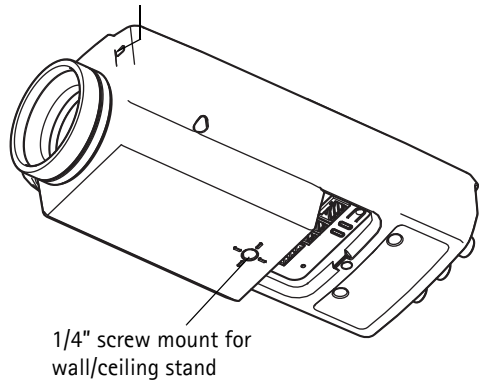
Item	Models/variants/notes
Network camera	AXIS Q1755-E 50Hz/60Hz
Terminal block connector	2-pin connector for RS-485/422 connection
Wall bracket	Wall bracket with internal cable channel
Tools	Torx T20 screwdriver Allen key
CD	AXIS Network Video Product CD, including product documentation, installation tools and other software
Printed materials	AXIS Q1755-E Installation Guide (this document) Axis Warranty Document Extra serial number label (x2)
Optional accessories	See <a href="http://www.axis.com">www.axis.com</a> for information on available accessories

## 2 Hardware overview

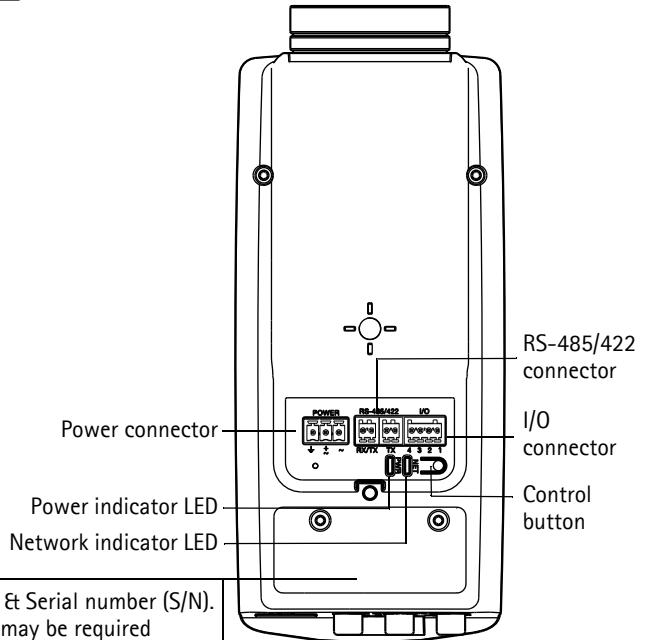
Rear view



Status indicator LED

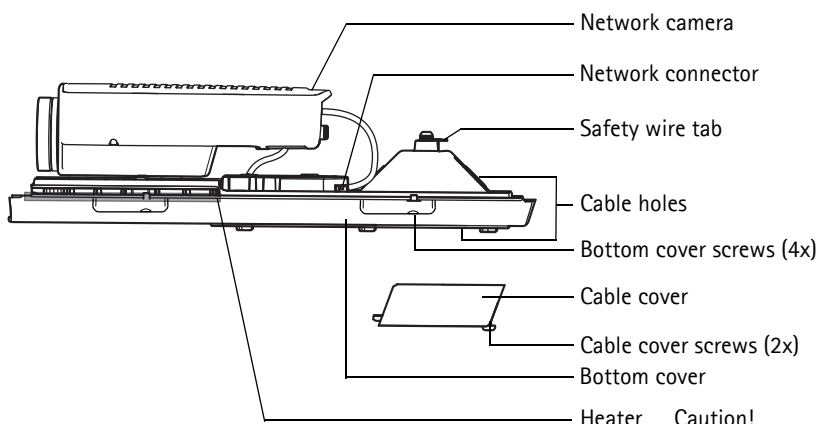
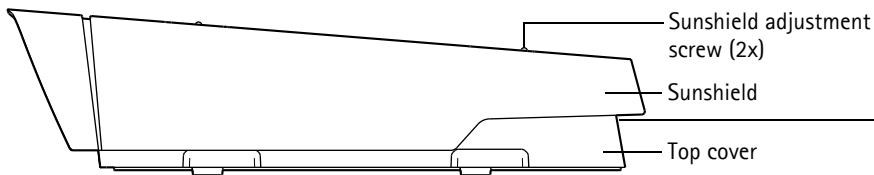


Bottom view

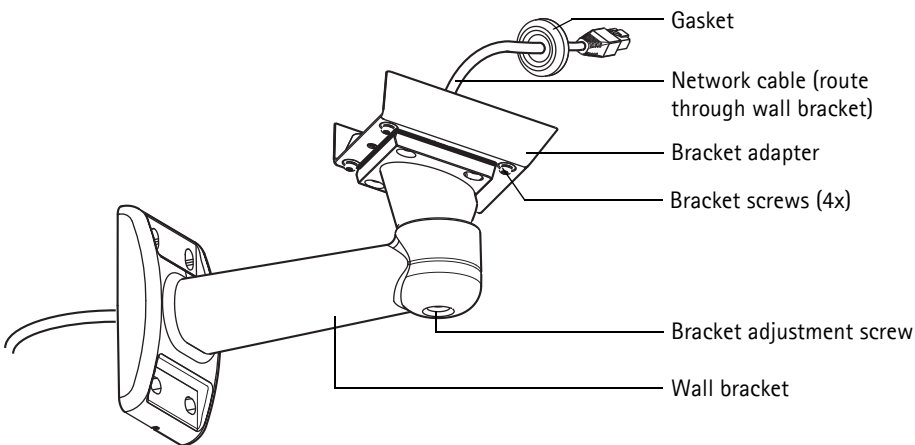


Part number (P/N) & Serial number (S/N).  
 The serial number may be required  
 during the installation.

Part number (P/N) Et Serial number (S/N).  
The serial number may be required during the installation.



Heater Caution!  
May be hot





### 3 Install the hardware

#### Install the wall bracket

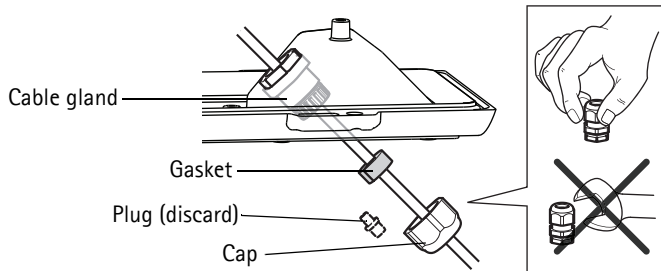
1. Use the supplied drill template to prepare a wall, ceiling, or pole for installation of the wall bracket.
2. Route the network cable through the wall bracket, the rubber gasket should be on the bracket adapter end of the wall bracket, see illustration on page 7.
3. Install the wall bracket on a wall, ceiling, or pole and make sure that the screws and plugs are appropriate for the material (e.g. wood, metal, sheet rock, stone).

#### Notes:

- The weight of the camera is 3485 g (7.7 lb.) . Check that the material is strong enough to support this weight.
- For more technical specifications, please see the User's Manual, available on the CD included in this package, or from [www.axis.com](http://www.axis.com)

#### Route the network cable through the cable hole

1. Loosen the cable cover screws; detach the cable cover from the bottom cover.



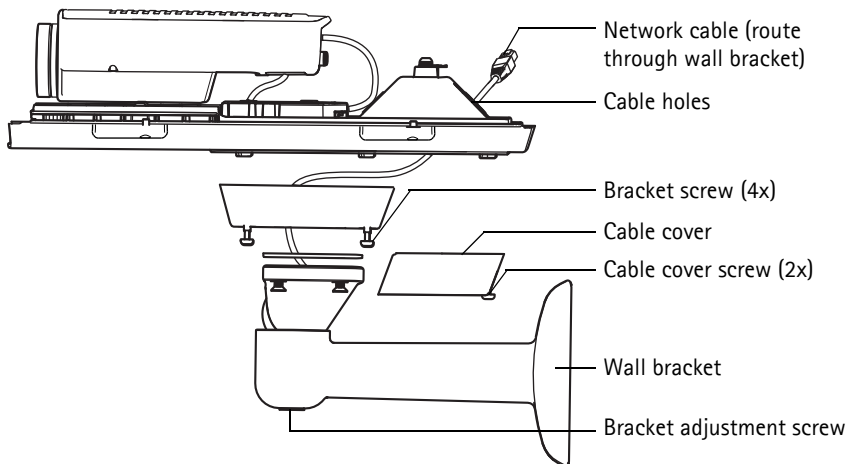
2. Remove the cap, the plug and the gasket from the cable gland that is to be used.
3. Route the network cable through the cap.
4. Slide the network cable through the slit on the gasket to attach the gasket to the network cable. See *Unit connectors*, on page 18 for information on network cable requirements.
5. Route the network cable through the cable gland.
6. Press the gasket into the cable gland and screw the cap on firmly.

#### Note:

Using any other than the provided cable gland may cause water to seep in and damage the product. Cables must have a diameter of 4.0 mm - 5.5 mm.

## Install the camera on the bracket

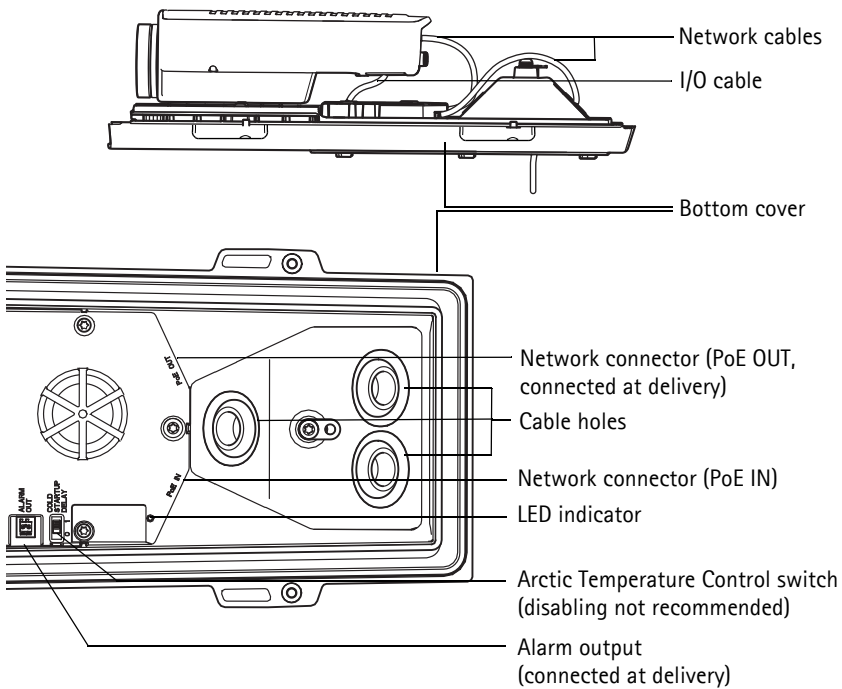
1. Install the camera with the bottom cover on the bracket and tighten the bracket screws.
2. Remove the gasket from one of the holes in the bottom cover, see illustration on page 7.
3. Route the cable through the hole and attach the cable gasket to the hole.



4. Connect the cables, see *Connect the cables*, on page 10.
5. Take the top cover and attach the safety wire to the tab on the bottom cover, see illustration on page 7.
6. Install the top cover. Make sure to tighten diagonally opposite bottom cover screws a few turns at a time until all are tight. This will help ensure that the bottom cover gasket is compressed evenly. Do not attempt to tighten the screws completely the first time.
7. Install the cable cover and tighten the cable cover screws.
8. Loosen the sun screen adjustment screws and adjust the sunshield to the front position.
9. Loosen the bracket adjustment screw to aim the camera to the point of interest. See *Access the video stream*, on page 16 for information on how to view the video stream.

## Connect the cables

1. Optionally insert an SD memory card (not included) into the SDHC (Secure Digital High Capacity) card slot. A standard or high capacity SD card is required to store images locally in the camera.
2. Optionally connect external input/output devices. See page 18 for information on the terminal connector pins. Prepare the cables with gaskets, see *Prepare the network cable*, on page 8, and route the cables through the cable holes into the bottom cover and to the camera.
3. Connect the camera to the network using a shielded network cable. Use the network connector (PoE IN) on the bottom cover. The network cable and the I/O cable between the bottom cover and the camera are already connected at delivery.



4. Check that the indicator LEDs indicate the correct conditions. See the table on page 21 for further details.

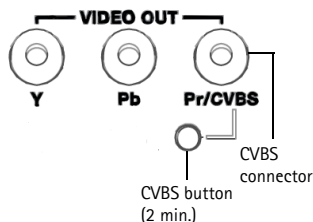
## Composite video out (optional)

For quick and easy installation, follow these instructions to view the video signal in a connected video monitor.

1. Follow the instructions in *Connect the cables*, on page 10.
2. Using a composite video cable, connect a video monitor to the Video out Pr/CVBS connector (red) on the AXIS Q1755-E.
3. Press and hold the CVBS button for 5 seconds to switch to composite video out (installation mode).

**Note:** AXIS Q1755-E will stay in installation mode for two (2) minutes and then automatically revert to Component video. If additional time is required, press the button again.

4. Position the camera and check that the intended area is in view on the screen.
5. Disconnect the video monitor.



## Component video out (optional)

Follow these instructions to view the video signal directly in a connected HDTV video monitor.



1. Follow the instructions in *Connect the cables*, on page 10.
  2. Connect AXIS Q1755-E directly to an HDTV monitor using a component video cable connected to the Video Out Y/Pb/Pr connectors.
- Once the cables have been connected, proceed to *Assign an IP address*, on page 12.

## 4 Assign an IP address

Most networks today have a DHCP server that automatically assigns IP addresses to connected devices. If your network does not have a DHCP server the AXIS Q1755-E will use 192.168.0.90 as the default IP address.

If you would like to assign a static IP address, the recommended method in Windows is either **AXIS IP Utility** or **AXIS Camera Management**. Depending on the number of cameras you wish to install, use the method that best suits your purpose.

Both of these free applications are available on the Axis Network Video Product CD supplied with this product, or they can be downloaded from [www.axis.com/techsup](http://www.axis.com/techsup)

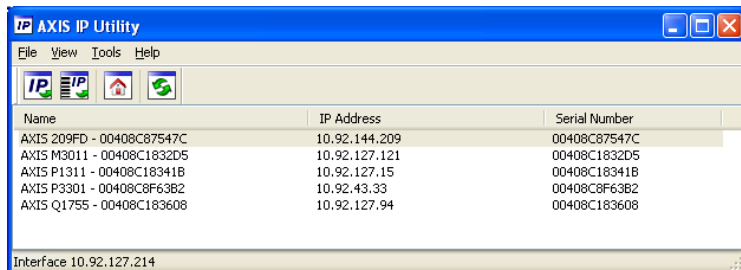
Method	Recommended for	Operating system
 AXIS IP Utility See page 13	Single camera Small installations	Windows
 AXIS Camera Management See page 14	Multiple cameras Large installations Installation on a different subnet	Windows 2000 Windows XP Pro Windows 2003 Server Windows Vista

### Notes:

- If assigning the IP address fails, check that there is no firewall blocking the operation.
- For other methods of assigning or discovering the IP address of the AXIS Q1755-E e.g. in other operating systems, see page 17.

## AXIS IP Utility – single camera/small installation

AXIS IP Utility automatically discovers and displays Axis devices on your network. The application can also be used to manually assign a static IP address.




Note that the computer running AXIS IP Utility must be on the same network segment (physical subnet) as the network camera.

### Automatic discovery

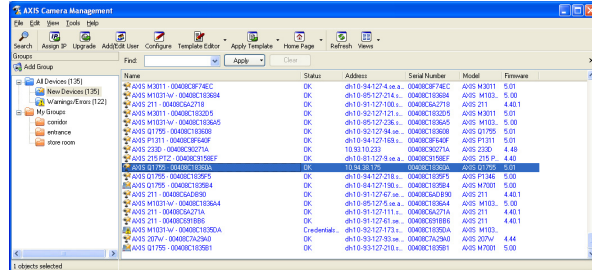
1. Check that the network camera is connected to the network and that power has been applied.
2. Start AXIS IP Utility.
3. When the camera appears in the window, double-click it to open its home page.
4. See page 15 for instructions on how to assign the password.

### Assign the IP address manually (optional)

1. Acquire an unused IP address on the same network segment as your computer.
2. Select the network camera in the list.
3. Click the button  **Assign new IP address to the selected device** and enter the IP address.
4. Click the **Assign** button and follow the on-screen instructions. Note that the camera must be restarted within 2 minutes for the new IP address to be set.
5. Click **Home Page** to access the camera's web pages.
6. See page 15 for instructions on how to set the password.

## AXIS Camera Management – multiple cameras/large installations

AXIS Camera Management can automatically discover multiple Axis devices, show connection status, manage firmware upgrades and set IP addresses.

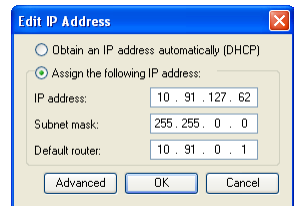


### Automatic discovery

1. Check that the camera is connected to the network and that power has been applied.
2. Start AXIS Camera Management. When the network camera appears in the window, right-click the link and select **Live View Home Page**.
3. See page 15 for instructions on how to set the password.

### Assign an IP address in a single device

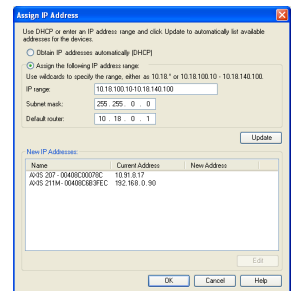
1. Select network camera in AXIS Camera Management and click the **Assign IP** button.
2. Select **Assign the following IP address** and enter the IP address, subnet mask and default router the device will use.
3. Click the **OK** button.



### Assign IP addresses in multiple devices

AXIS Camera Management speeds up the process of assigning IP addresses to multiple devices, by suggesting IP addresses from a specified range.

1. Select the devices you wish to configure (different models can be selected) and click the **Assign IP** button.
2. Select **Assign the following IP address range** and enter the range of IP addresses, the subnet mask and default router the devices will use.
3. Click the **OK** button.



## 5 Set the password

To gain access to the product, the password for the default administrator user **root** must be set. This is done in the 'Configure Root Password' dialog, which is displayed when the network camera is accessed for the first time.

To prevent network eavesdropping when setting the root password, this can be done via an encrypted HTTPS connection, which requires an HTTPS certificate.

**Note:** HTTPS (Hypertext Transfer Protocol over SSL) is a protocol used to encrypt the traffic between web browsers and servers. The HTTPS certificate controls the encrypted exchange of information.

To set the password via a standard HTTP connection, enter it directly in the first dialog shown below.

To set the password via an encrypted HTTPS connection, follow these steps:

1. Click the **Create self-signed certificate** button.
2. Provide the requested information and click **OK**. The certificate is created and the password can now be set securely. All traffic to and from the network camera is encrypted from this point on.
3. Enter a password and then re-enter it to confirm the spelling. Click **OK**. The password has now been configured.

The image shows three overlapping screenshots of the Axis Q1755-E configuration interface:

- Top-left screenshot:** 'Create Certificate' dialog. It contains a button labeled 'Create self-signed certificate...'. An arrow points from this button to the text: "To create an HTTPS connection, start by clicking this button."
- Top-right screenshot:** 'Create Self-Signed Certificate' dialog. It has fields for 'Common name:' (containing '10.96.127.232') and 'Validity:' (set to '365 days [1..9999]'). Below these are 'OK' and 'Cancel' buttons. A note states: "The name of the entity to be certified, i.e. the IP address or host name of this product." Below the buttons, it says: "Once the certificate is created, this page will close and you will be able to configure the root password via HTTPS."
- Bottom-left screenshot:** 'Configure Root Password' dialog. It has fields for 'User name:' (pre-filled with 'root'), 'Password:', and 'Confirm password:'. An arrow points from the 'Password:' field to the text: "To configure the password directly via an unencrypted connection, enter the password here."
- Bottom-right screenshot:** 'Configure Root Password using HTTPS' dialog. It has fields for 'User name:' (pre-filled with 'root'), 'Password:', and 'Confirm password:'. An 'OK' button is at the bottom right. A note at the bottom states: "The password for the pre-configured administrator root must be changed before the product can be used. If the password for root is lost, the product must be reset to the factory default settings, by pressing the button located in the product's casing. Please see the user documentation for more information."

4. To log in, enter the user name "root" in the dialog as requested  
**Note:** The default administrator user name root cannot be deleted.
5. Enter the password as set above, and click **OK**.  
**Note:** If the password is lost, the camera must be reset to the factory default settings. See page 22.



## Access the video stream

The Live View page of the network camera is displayed, with links to the Setup tools, which allow you to customize the camera.

If required, click **Yes** to install AMC (AXIS Media Control), which allows viewing of the video stream in Internet Explorer. You will need administrator rights on the computer to do this.

If required, click the link to install missing decoders.

**Note:** To install AMC in Windows Vista and Windows 7, you must run Internet Explorer as an administrator. Right-click the Internet Explorer icon and select **Run as administrator**.

**Setup** - Provides all the tools for configuring the camera to requirements.

**Help** - Displays online help on all aspects of using the camera.

The screenshot displays the AXIS Q1755 Network Camera web interface. At the top, the title 'AXIS Q1755 Network Camera' is centered, with navigation links for 'Live View', 'Setup', and 'Help'. Below the title, there are controls for 'Stream profile' (set to Motion JPEG), 'Output 1', 'Output 2', 'Source', 'Trigger', and 'Snapshot'. The main area is a large video window showing a live feed of a busy airport terminal. To the right of the video window is a vertical 'TILT' control with 'Up' and 'Down' arrows. Below the video window are 'Play', 'Mute', 'Volume', 'Speaker', and 'Microphone' icons. At the bottom of the interface, there are 'PAN' (Left, Right), 'ZOOM' (Wide, Tele), and 'FOCUS' (Near, Far) controls, along with 'Home' and 'Ctrl panel' buttons.

## Other methods of setting the IP address

The table below shows the other methods available for setting or discovering the IP address. All methods are enabled by default, and all can be disabled.

	Use in operating system	Notes
UPnP™	Windows	When enabled on your computer, the camera is automatically detected and added to "My Network Places."
Bonjour	MAC OSX (10.4 or later)	Applicable to browsers with support for Bonjour. Navigate to the Bonjour bookmark in your browser (e.g. Safari) and click on the link to access the camera's web pages.
AXIS Dynamic DNS Service	All	A free service from Axis that allows you to quickly and simply install your camera. Requires an Internet connection with no HTTP proxy. See <a href="http://www.axiscam.net">www.axiscam.net</a> for more information.
ARP/Ping	All	See below. The command must be issued within 2 minutes of connecting power to the camera.
DHCP Server	All	To view the admin pages for the network DHCP server, see the server's own documentation.

## Set the IP address with ARP/Ping

1. Acquire an IP address on the same network segment your computer is connected to.
2. Locate the serial number (S/N) on the product label on the camera.
3. Open a command prompt on your computer and enter the following commands:

<b>Windows syntax:</b>	<b>Windows example:</b>
<pre>arp -s &lt;IP Address&gt; &lt;Serial Number&gt; ping -l 408 -t &lt;IP Address&gt;</pre>	<pre>arp -s 192.168.0.125 00-40-8c-18-10-00 ping -l 408 -t 192.168.0.125</pre>
<b>UNIX/Linux/Mac syntax:</b>	<b>UNIX/Linux/Mac example:</b>
<pre>arp -s &lt;IP Address&gt; &lt;Serial Number&gt; temp ping -s 408 &lt;IP Address&gt;</pre>	<pre>arp -s 192.168.0.125 00:40:8c:18:10:00 temp ping -s 408 192.168.0.125</pre>

4. Check that the network cable is connected to the camera and then start/restart the camera, by disconnecting and reconnecting power.
5. Close the command prompt when you see 'Reply from 192.168.0.125: ...' or similar.
6. In your browser, type in `http://<IP address>` in the Location/Address field and press Enter on your keyboard.

### Notes:

- To open a command prompt in Windows: from the Start menu, select Run... and type cmd. Click OK.
- To use the ARP command on a Mac OS X, use the Terminal utility in **Application > Utilities**.

## Unit connectors

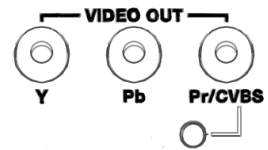
**Network** – RJ-45 Ethernet connector. Supports PoE (Power over Ethernet, class 3). Using shielded cables is recommended.

**Audio in** – 3.5mm input for a mono microphone, or a line-in mono signal (left channel is used from a stereo signal).

**Audio out** – 3.5mm output for audio (line level), can be connected to a public address (PA) system or an active speaker with a built-in amplifier. A pair of headphones can also be connected. A stereo connector must be used for audio out.

**Video Out** – RCA connectors for component or composite video out.

- Component video out for HDTV video, e.g. an entrance camera connected to an HDTV screen
- Composite video (CVBS) – for easy installation using a video monitor

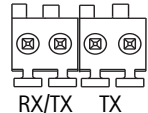


**RS-485/422** – two 2-pin terminal blocks for RS-485/422 serial interface used to control auxiliary equipment, e.g. PTZ devices.

The RS-485/422 serial port can be configured in the following port modes:

- Bidirectional RS-485 half-duplex port for data transmission using two wires, one combined RX/TX pair.
- Bidirectional RS-485 full-duplex port for data transmission using four wires, one RX pair and one TX pair.
- Unidirectional RS-422 port for transmitting or receiving data using two wires, RX- or TX pair.
- Bidirectional RS-422 full-duplex port for data transmission (point-to-point) using four wires, one RX pair and one TX pair.

RS-485/422



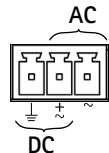
Pins 4 3 2 1

Function	Pin	Notes
RS 485/422TX(A)	1	TX pair for RS-422 and 4-wire RS-485
RS 485/422TX(B)	2	
RS-485A alt RS-485/422RX(A)	3	RX pair for all modes (combined RX/TX for 2-wire RS-485)
RS-485B alt RS-485/422RX(B)	4	

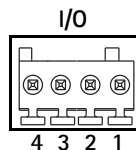
**SDHC memory card slot** – High capacity SD memory card used for local recording and removable storage.

**Power** – 3-pin terminal block 8-20 VDC or 20-24 VAC

**CAUTION!** – Incorrect connection of the wires could cause damage to the camera.



**I/O terminal connector** – Used in applications for e.g. motion detection, event triggering, time lapse recording and alarm notifications. In addition to an auxiliary power and a GND pin, the AXIS Q1755-E has 2 pins that can be configured as either input or output. These pins provide the interface to:



- Transistor output – For connecting external devices such as relays and LEDs. Connected devices can be activated by AXIS VAPIX API, output buttons on the Live View page or by an **Event Type**. The output will show as active (shown under **Event Configuration > Port Status**) if the alarm device is activated.
- Digital input – An alarm input for connecting devices that can toggle between an open and closed circuit, for example: PIRs, door/window contacts, glass break detectors, etc. When a signal is received the state changes and the input becomes active (shown under **Event Configuration > Port Status**.)

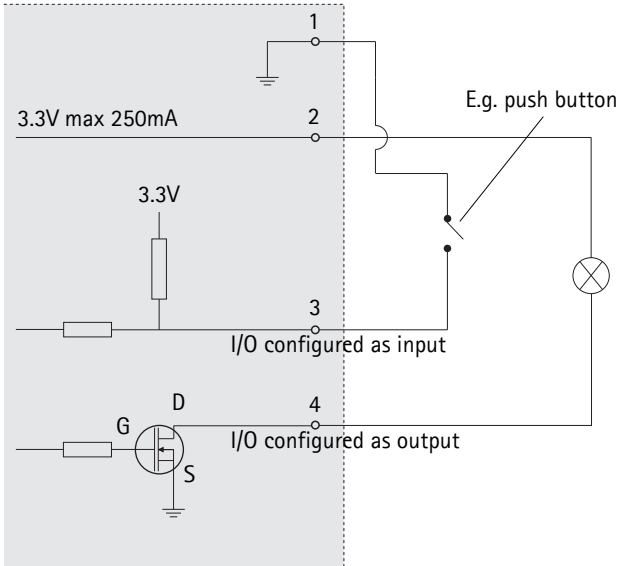
**Note:**

The I/O connector on AXIS Q1755-E is connected to the housing electronics at delivery and will trigger an input port event to indicate a fan or heater error when activated. Please refer to the User’s Manual User’s Manual, available on the CD provided with this product, or from [www.axis.com](http://www.axis.com), for information on how to set up an event.

Function	Pin	Notes	Specifications
GND	1	Ground	
3.3V DC Power	2	Can be used to power auxiliary equipment. <b>Note:</b> This pin can <u>only</u> be used as power out.	Max load = 250mA
Configurable (Input or Output)	3 - 4	Digital input – Connect to GND to activate, or leave floating (or unconnected) to deactivate. <b>Note:</b> Connected to housing electronics at delivery.	Min input = - 40V DC Max input = + 40V DC
		Digital output – Uses an open-drain NFET transistor with the source connected to GND. If used with an external relay, a diode must be connected in parallel with the load, for protection against voltage transients.	Max load = 100mA Max voltage = + 40V DC

## Connection diagram

The following connection diagram gives an example of how to connect an auxiliary device to the network camera



## LED indicators

LED	Color	Indication
Network	Green	Steady for connection to a 100 Mbit/s network. Flashes for network activity.
	Amber	Steady for connection to 10 Mbit/s network. Flashes for network activity.
	Unlit	No network connection.
Status	Green	Steady green for normal operation. Note: The Status LED can be configured to be unlit during normal operation, or to flash only when the camera is accessed. To configure, go to <b>Setup &gt; System Options &gt; LED</b> . See the online help files for more information.
	Amber	Steady during startup, during reset to factory default or when restoring settings.
	Red	Slow flash for failed upgrade.
Power	Green	Normal operation.
	Amber	Flashes green/amber during firmware upgrade.

### Status LED on housing electronics (fan/heater)

LED	Color	Indication
Power	Green	OK
	Flashing green	Single flash: Heater error Double flash: Fan error Triple flash: General error Note: Alarm events will be triggered through the camera's input port. See the User's Manual, available on the CD provided with this product, or from <a href="http://www.axis.com">www.axis.com</a> Contact your Axis reseller for information about spare parts and troubleshooting.

## Resetting to the Factory Default Settings

This will reset all parameters, including the IP address, to the Factory Default settings:

1. Disconnect power from the camera.
2. Press and hold the Control button and reconnect power.
3. Keep the Control button pressed until the Status indicator displays amber (this may take up to 15 seconds).
4. Release the Control button. When the Status indicator displays green (which can take up to 1 minute) the process is complete and the camera has been reset.
5. Re-assign the IP address, using one of the methods described in this document.

It is also possible to reset parameters to the original factory default settings via the web interface. For more information, please see the online help or the user's manual.

## Accessing the camera from the Internet

Once installed, your network camera is accessible on your local network (LAN). To access the camera from the Internet, network routers must be configured to allow incoming traffic, which is usually done on a specific port.

- HTTP port (default port 80) for viewing and configuration
- RTSP port (default port 554) for viewing H.264 video streams

Please refer to the documentation for your router for further instructions. For more information on this and other topics, visit the Axis Support Web at [www.axis.com/techsup](http://www.axis.com/techsup)

## Further information

The user's manual is available from the Axis Web site at [www.axis.com](http://www.axis.com) or from the Axis Network Video Product CD supplied with this product.

**Tip!**

Visit [www.axis.com/techsup](http://www.axis.com/techsup) to check if there is updated firmware available for your AXIS Q1755-E. To see the currently installed firmware version, see **Setup > About**.

## Mesures de sécurité et avertissements

Lisez attentivement le présent guide d'installation avant d'installer le produit. Conservez le guide d'installation si vous souhaitez le consulter ultérieurement.

### ATTENTION !

- Pour éviter d'endommager le produit Axis, utilisez l'emballage d'origine ou un équivalent pour le transporter.
- Évitez d'exposer le produit Axis à des vibrations, des chocs ou une trop forte pression et ne l'installez pas sur des supports instables, ou des surfaces ou des murs instables ou vibrants. Cela risque de l'endommager.
- Utilisez uniquement des outils manuels pour l'installation de la caméra, l'utilisation d'outils électriques ou l'usage excessif de la force risquent d'endommager le produit.
- N'utilisez ni produits chimiques, ni substances caustiques, ni nettoyeurs aérosol. Utilisez un linge humide pour le nettoyage.
- Utilisez uniquement des accessoires et des pièces de rechange fournis ou recommandés par Axis.
- Ne tentez pas de réparer le produit vous-même, contactez Axis ou votre revendeur Axis pour tout problème de maintenance.

### IMPORTANT !

- Ce produit Axis doit être utilisé conformément aux lois et réglementations locales en vigueur.
- Stockez et transportez le produit Axis dans un environnement sec et aéré.

### Avis de sécurité – Remplacement des piles

Ce produit Axis nécessite une pile au lithium CR2032 de 3,0 V pour l'alimentation de son horloge en temps réel interne. Dans des conditions normales d'utilisation, cette pile devrait durer au moins 5 ans. Si la pile est faible, cela a un impact sur le fonctionnement de l'horloge en temps réel qui se réinitialise alors à chaque mise sous tension. Un message enregistré apparaît lorsque la pile doit être remplacée. Ne remplacez la pile que lorsque cela est nécessaire !

Si la pile doit être remplacée, veuillez contacter [www.axis.com/techsup](http://www.axis.com/techsup) pour obtenir de l'aide.

- Afin d'éviter tout risque d'explosion, remplacez correctement la pile.
- Remplacez la pile par une pile identique ou équivalente uniquement, en respectant les recommandations du fabricant.
- Jetez les piles usagées conformément aux consignes du fabricant.





# AXIS Q1755-E Guide d'installation

Ce guide d'installation explique comment installer une AXIS Q1755-E Caméra réseau sur votre réseau. Pour toute autre question concernant l'utilisation du produit, reportez-vous au manuel d'utilisation du produit, que vous trouverez sur le CD joint ou sur le site [www.axis.com](http://www.axis.com)

## Procédure d'installation

1. Vérifiez que l'emballage contient bien tous les éléments de la liste ci-dessous.
2. Description du matériel. Reportez-vous à la page 26.
3. Installation du matériel. Reportez-vous à la page 28.
4. Attribution d'une adresse IP. Reportez-vous à la page 32.
5. Configuration du mot de passe. Reportez-vous à la page 35.



**Important !**  
Ce produit doit être utilisé conformément aux lois et réglementations locales en

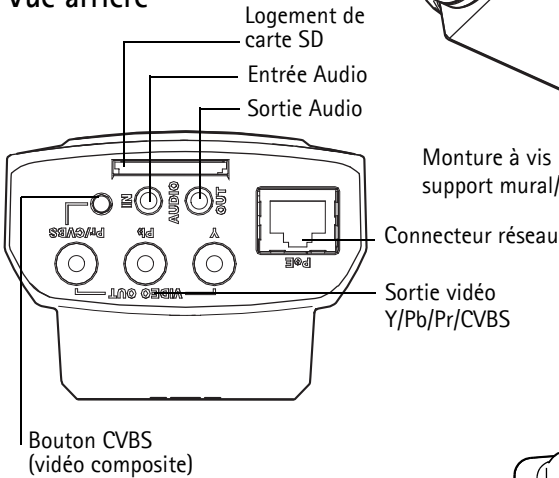
FRANÇAIS

## 1 Contenu de l'emballage

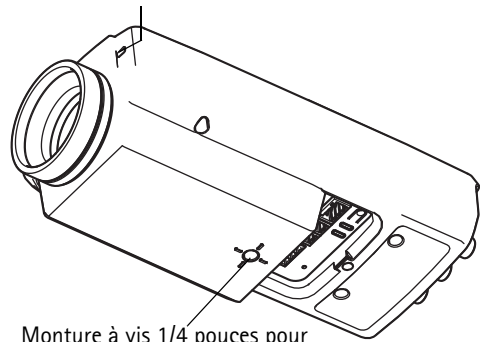
Élément	Modèles/variantes/remarques
Caméra réseau	AXIS Q1755-E 50 Hz/60 Hz
Bloc de connexion pour terminaux	Connecteur à 2 broches pour le branchement du connecteur RS-485/422
Support mural	Support mural avec chemin de câble interne
Outils	Tournevis Torx T20 Clé Allen
CD	CD de la caméra vidéo réseau Axis comprenant la documentation, les outils d'installation et des logiciels complémentaires
Documentation imprimée	Guide d'installation de la caméra AXIS Q1755-E (le présent document) Document de garantie d'Axis Étiquette de numéro de série supplémentaire (x2)
Accessoires en option	Consultez le site à l'adresse <a href="http://www.axis.com">www.axis.com</a> pour plus d'informations sur les accessoires disponibles

## 2 Description du matériel

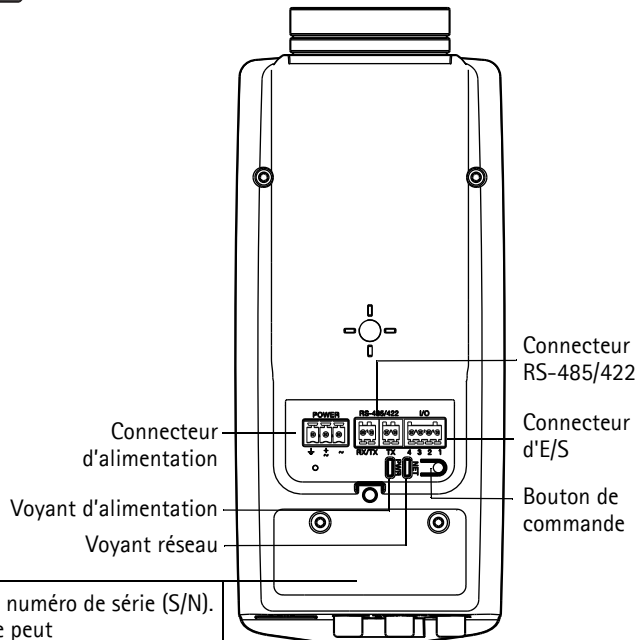
### Vue arrière



### Voyant d'état

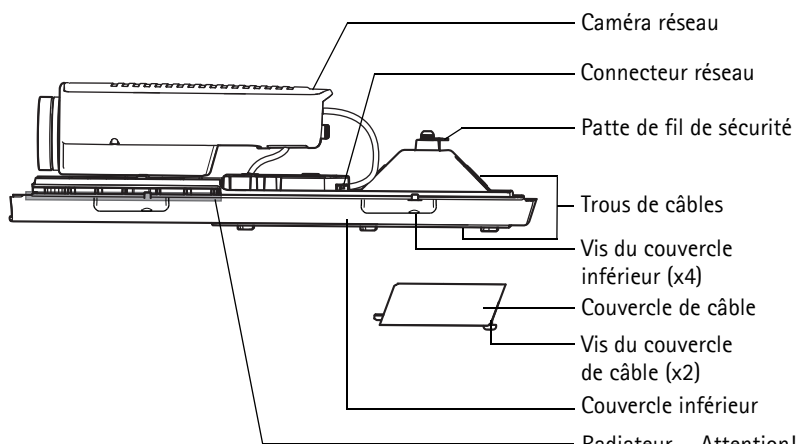
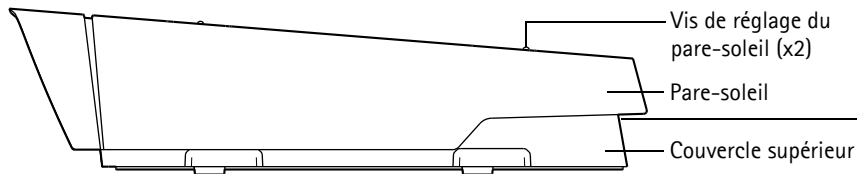


### Vue de dessous

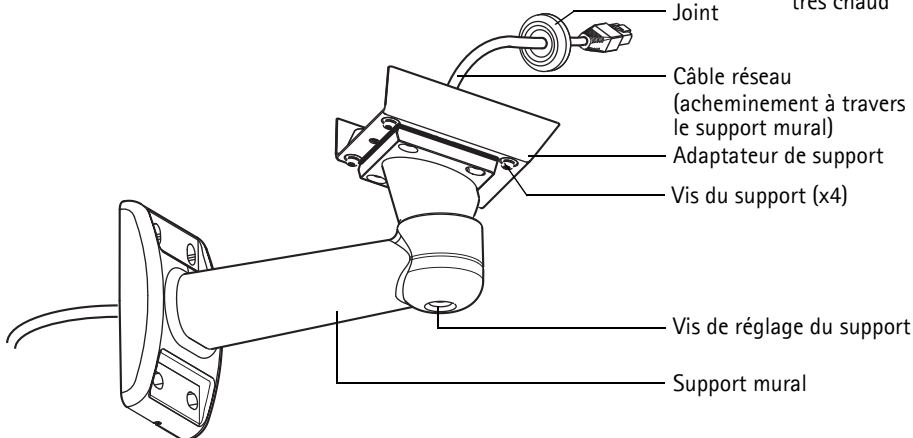


Référence (P/N) et numéro de série (S/N).  
 Le numéro de série peut être demandé pendant l'installation.

Référence (P/N) et numéro de série (S/N).  
Le numéro de série peut être demandé pendant l'installation.



Radiateur Attention! peut être très chaud



### 3 Installation du matériel

#### Installation du support mural

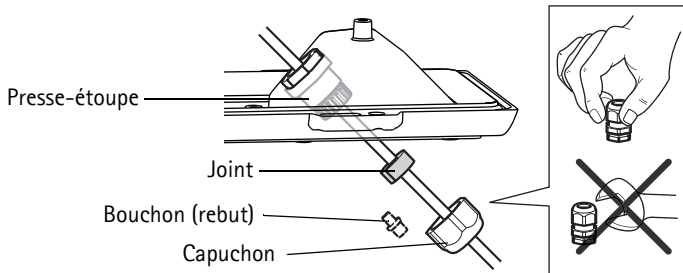
1. Préparez le mur, le plafond ou le poteau de montage pour installer le support mural à l'aide du modèle de perçage fourni.
2. Acheminez le câble réseau dans le support mural, le joint en caoutchouc doit être sur l'extrémité de l'adaptateur de support du support mural, voir l'illustration à la page 27.
3. Fixez le support mural au mur, au plafond ou sur un poteau et assurez-vous que les vis et les fiches sont adaptés au matériau (par exemple du bois, du métal, du plâtré, de la pierre).

#### Remarques :

- La caméra pèse 3 485 g (7,7 lb). Assurez-vous que le matériau est suffisamment solide pour supporter ce poids.
- Pour plus de spécifications techniques, reportez-vous au manuel utilisateur du produit, que vous trouverez sur le CD joint ou sur le site [www.axis.com](http://www.axis.com)

#### Acheminez le câble réseau à travers le trou prévu pour le passage du câble

1. Desserrez les vis du couvercle de câble pour pouvoir le détacher du couvercle inférieur.



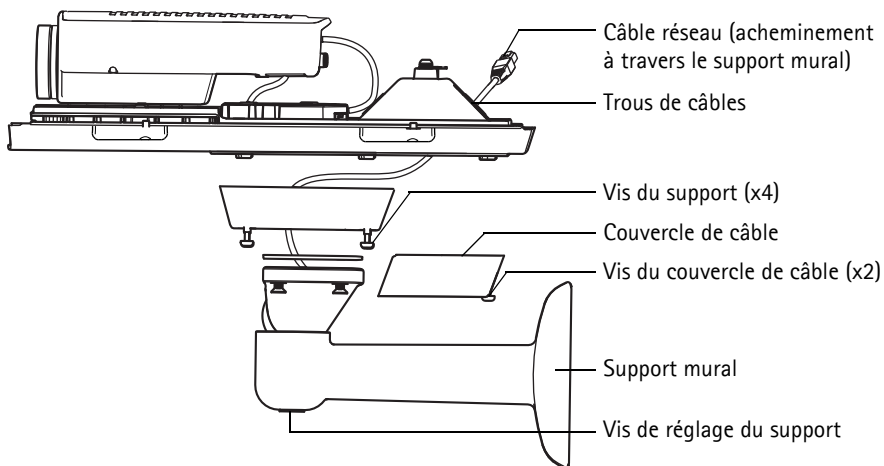
2. Retirez le capuchon, le bouchon et le joint du presse-étoupe à utiliser.
3. Acheminez le câble réseau dans le capuchon.
4. Insérez le câble réseau dans la fente du joint afin de fixer le joint au câble réseau. Reportez-vous à la *Connecteurs de l'appareil*, à la page 39 pour plus d'informations sur les exigences portant sur le câble réseau.
5. Acheminez le câble réseau à travers le presse-étoupe.
6. Enfoncez le joint dans le presse-étoupe et vissez le capuchon fermement.

#### Remarque :

L'utilisation d'un presse-étoupe autre que celui fourni risque d'entraîner une infiltration d'eau et d'endommager le produit. Les câbles doivent avoir un diamètre de 4,0 mm - 5,5 mm.

## Installation de la caméra sur le support

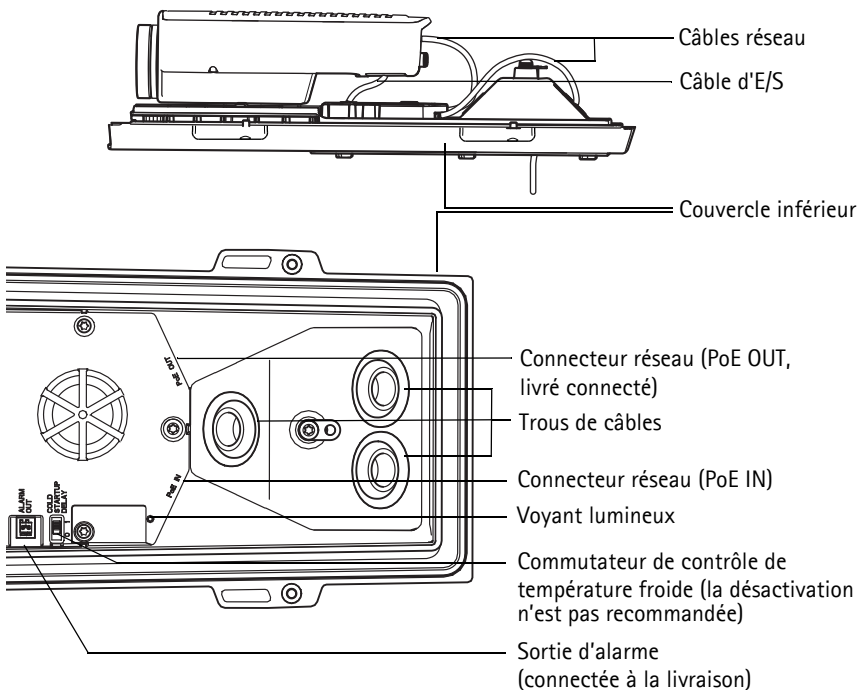
1. Installez la caméra avec le couvercle inférieur sur le support et serrez les vis du support.
2. Retirez le joint de l'un des trous du couvercle inférieur, reportez-vous à l'illustration à la page 27.
3. Acheminez le câble dans le trou et fixez le joint du câble au trou.



4. Branchement des câbles, reportez-vous à *Branchement des câbles*, à la page 30.
5. Ouvrez le couvercle supérieur et attachez le fil de sécurité à la patte sur le couvercle inférieur, comme illustré à la page 27.
6. Installez le couvercle supérieur. Assurez-vous de bien serrer en diagonale les vis opposées du couvercle inférieur de quelques tours jusqu'à ce qu'elles soient bien serrées. Cela permettra de garantir que le joint du couvercle inférieur est comprimé de façon régulière. Ne tentez pas de serrer complètement les vis dès votre première tentative.
7. Fixez le couvercle du câble et serrez les vis du couvercle du câble.
8. Desserrez les vis de réglage du pare-soleil et ajustez le pare-soleil en l'orientant vers l'avant.
9. Desserrez la vis de réglage du support afin d'orienter la caméra dans la direction voulue. Reportez-vous à *Accès au flux de données vidéo*, à la page 36 pour savoir comment voir le flux de données vidéo.

## Branchement des câbles

1. Si vous le souhaitez, insérez une carte mémoire SD (non fournie) dans le logement de carte SDHC (Secure Digital High Capacity). Une carte SD standard ou haute capacité est requise pour stocker des images en local sur la caméra.
2. Si vous le souhaitez, connectez des dispositifs d'entrée/sortie externes. Reportez-vous à la page 39 pour plus d'informations sur les broches du connecteur pour terminaux. Préparez les câbles avec des joints (reportez-vous à *Préparation du câble réseau*, à la page 28) et guidez les câbles via les trous dans le couvercle inférieur et dans la caméra.
3. Connectez la caméra au réseau à l'aide d'un câble réseau blindé. Utilisez le connecteur réseau (PoE IN) sur le couvercle inférieur. Le câble réseau et le câble d'E/S entre le couvercle du bas et la caméra sont déjà connectés à la livraison.



4. Vérifiez que les voyants lumineux indiquent les bonnes conditions. Pour plus d'informations, reportez-vous au tableau de la page 42.

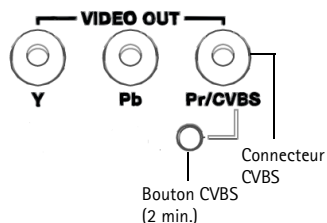
## Sortie vidéo composite (en option)

Pour une installation rapide et aisée, procédez comme suit afin de voir le signal vidéo sur un écran de contrôle connecté.

1. Suivez les instructions de la section *Branchement des câbles*, à la page 30.
2. À l'aide d'un câble vidéo composite, branchez un écran de contrôle sur le connecteur (rouge) de sortie vidéo Pr/CVBS de la caméra AXIS Q1755-E.
3. Appuyez sur le bouton CVBS et maintenez-le enfoncé pendant 5 secondes pour basculer sur la sortie vidéo composite (mode installation).

**Remarque :** la caméra AXIS Q1755-E reste en mode installation pendant deux minutes et revient ensuite automatiquement en mode vidéo en composantes. Si vous avez besoin de plus de temps, réappuyez sur le bouton.

4. Mettez la caméra en place et vérifiez que la zone désirée est visible à l'écran.
5. Débranchez l'écran de contrôle.



## Sortie vidéo en composantes (en option)

Procédez comme suit pour voir le signal vidéo directement sur un écran de contrôle HDTV connecté.

1. Suivez les instructions de la section *Branchement des câbles*, à la page 30.
2. Branchez la caméra AXIS Q1755-E directement sur un écran HDTV à l'aide d'un câble vidéo en composantes connecté aux connecteurs de sortie vidéo Y/Pb/Pr. Une fois les câbles connectés, passez à la section *Attribution d'une adresse IP*, à la page 32.





## 4 Attribution d'une adresse IP

Aujourd'hui, la plupart des réseaux sont équipés d'un serveur DHCP qui attribue automatiquement des adresses IP aux périphériques connectés. Si votre réseau en est dépourvu, votre AXIS Q1755-E utilisera 192.168.0.90 comme adresse IP par défaut.

Si vous souhaitez paramétrer une adresse IP statique sous Windows, nous recommandons l'utilisation de l'application **AXIS IP Utility** ou de l'application **AXIS Camera Management**. Selon le nombre de caméras à installer, choisissez la méthode qui vous convient le mieux.

Ces deux applications gratuites sont disponibles sur le CD de la caméra vidéo Axis fourni avec ce produit. Vous pouvez également les télécharger à partir du site [www.axis.com/techsup](http://www.axis.com/techsup).

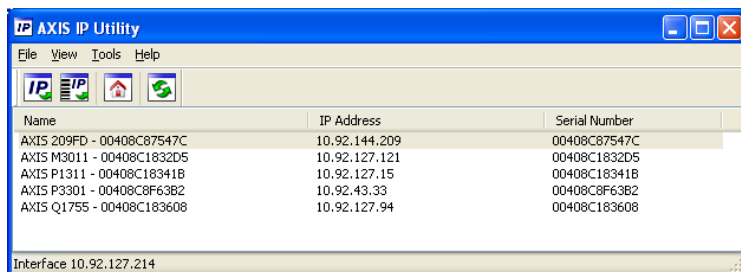
Méthode	Recommandée pour	Système d'exploitation
 AXIS IP Utility Reportez-vous à la page 33	Une seule caméra Petites installations	Windows
 AXIS Camera Management Reportez-vous à la page 34	Plusieurs caméras Grandes installations Installation sur un autre sous-réseau	Windows 2000 Windows XP Pro Windows 2003 Server Windows Vista

### Remarques :

- En cas d'échec de l'attribution d'adresse IP, vérifiez qu'aucun pare-feu ne bloque l'opération.
- Pour connaître les autres méthodes d'attribution ou de détection de l'adresse IP de votre AXIS Q1755-E, par exemple sous d'autres systèmes d'exploitation, reportez-vous à la page 37.

## AXIS IP Utility : une seule caméra/une petite installation

AXIS IP Utility détecte et affiche automatiquement les périphériques Axis présents sur votre réseau. Cette application sert également à attribuer manuellement une adresse IP statique.




Notez que l'ordinateur exécutant l'application AXIS IP Utility doit se trouver sur le même segment de réseau (sous-réseau physique) que la caméra réseau.

### Détection automatique

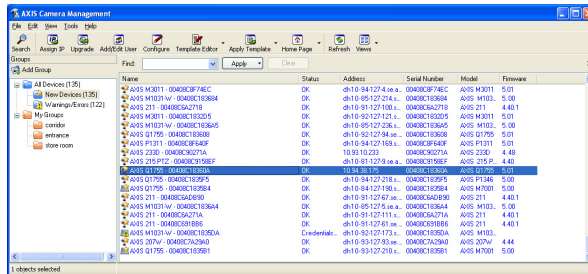
1. Vérifiez que la caméra réseau est connectée au réseau et qu'elle se trouve sous tension.
2. Lancez AXIS IP Utility.
3. Lorsque l'icône de la caméra apparaît dans la fenêtre, double-cliquez dessus pour ouvrir la page d'accueil correspondante.
4. Reportez-vous à la page 35 pour savoir comment configurer le mot de passe.

### Attribution manuelle de l'adresse IP (facultatif)

1. Trouvez une adresse IP non utilisée sur le même segment de réseau que celui de votre ordinateur.
2. Sélectionnez la caméra réseau dans la liste.
3. Cliquez sur le bouton  **Assign new IP address to the selected device** (Attribuer une nouvelle adresse IP au périphérique sélectionné) et saisissez l'adresse IP.
4. Cliquez sur le bouton **Assign** (Attribuer) et suivez les instructions affichées à l'écran. La caméra doit être redémarrée dans les 2 minutes pour que la nouvelle adresse IP soit prise en compte.
5. Cliquez sur le bouton **Home Page** (Page d'accueil) pour accéder aux pages Web de la caméra.
6. Reportez-vous à la page 35 pour savoir comment configurer le mot de passe.

## AXIS Camera Management : plusieurs caméras/grandes installations


AXIS Camera Management peut détecter automatiquement plusieurs périphériques Axis, afficher l'état de connexion, gérer les mises à niveau du micrologiciel et configurer les adresses IP.

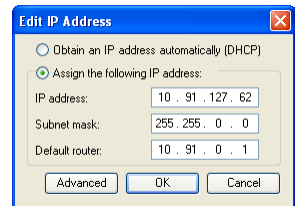


### Détection automatique

1. Vérifiez que la caméra est connectée au réseau et qu'elle est sous tension.
2. Lancez AXIS Camera Management. Lorsque la caméra réseau apparaît dans la fenêtre, cliquez sur le lien avec le bouton droit de la souris, puis sélectionnez Live View Home Page (Page d'accueil – Vidéo en direct).
3. Reportez-vous à la page 35 pour savoir comment configurer le mot de passe.


### Attribution d'une adresse IP à un seul périphérique

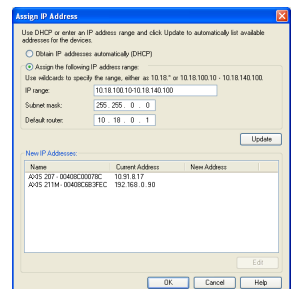
1. Sélectionnez la caméra réseau dans l'application AXIS Camera Management, puis cliquez sur le bouton Assign IP (Attribuer une adresse IP). 
2. Sélectionnez Assign the following IP address (Attribuer l'adresse IP suivante) et saisissez l'adresse IP, le masque de sous-réseau et le routeur par défaut que le périphérique utilisera.
3. Cliquez sur le bouton OK.



### Attribution d'adresses IP à plusieurs périphériques

AXIS Camera Management accélère le processus d'attribution d'adresses IP à plusieurs périphériques en suggérant des adresses IP dans une plage spécifiée.

1. Sélectionnez les périphériques à configurer (il peut s'agir de plusieurs modèles), puis cliquez sur le bouton Assign IP (Attribuer une adresse IP). 
2. Sélectionnez Assign the following IP address range (Attribuer la plage d'adresses IP suivante) et saisissez la plage d'adresses IP, le masque de sous-réseau et le routeur par défaut que les périphériques utiliseront.
3. Cliquez sur OK.



## 5 Configuration du mot de passe

Pour accéder au produit, le mot de passe par défaut de l'administrateur, **root**, doit être configuré. Pour ce faire, utilisez la boîte de dialogue **Configure Root Password** (Configurer le mot de passe root) qui s'affiche lors du premier accès à la caméra réseau.

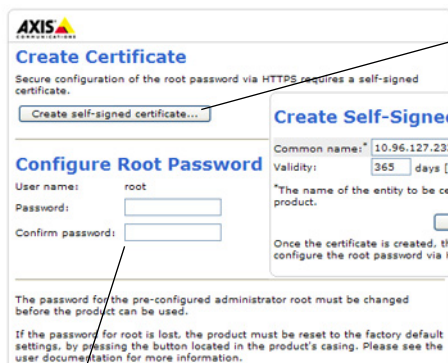
Pour éviter les écoutes électroniques lors de la configuration du mot de passe root, utilisez une connexion HTTPS cryptée nécessitant un certificat HTTPS.

**Remarque :** Le protocole HTTPS (Hypertext Transfer Protocol over Secure Socket Layer) est utilisé pour crypter le trafic entre les navigateurs Web et les serveurs. Le certificat HTTPS contrôle l'échange crypté des informations.

Pour configurer le mot passe avec une connexion HTTP standard, saisissez directement le mot de passe dans la première boîte de dialogue représentée ci-dessous.

Pour configurer le mot passe avec une connexion HTTPS cryptée, procédez comme suit :

1. Cliquez sur le bouton **Create self-signed certificate** (Créer un certificat autosigné).
2. Saisissez les informations demandées, puis cliquez sur **OK**. Le certificat est créé et le mot de passe peut maintenant être configuré en toute sécurité. Tout le trafic entrant et sortant de la caméra réseau est désormais crypté.
3. Saisissez un mot de passe, puis saisissez-le de nouveau pour confirmation. Cliquez sur **OK**. le mot de passe est maintenant configuré.



Pour créer une connexion HTTPS, cliquez sur ce bouton.

Pour configurer directement le mot de passe par le biais d'une connexion cryptée, saisissez le mot de passe



4. Pour vous connecter, saisissez le nom d'utilisateur **root** dans la boîte de dialogue à l'invite. **Remarque :** le nom d'utilisateur par défaut de l'administrateur est **root** et il ne peut pas être supprimé.

5. Saisissez le mot de passe de la manière indiquée ci-dessus et cliquez sur **OK**.

**Remarque :** si vous avez oublié votre mot de passe, vous devrez rétablir les paramètres d'usine par défaut de votre caméra. Reportez-vous à la page 43.

## Accès au flux de données vidéo

La page Live View (Vidéo en direct) de la caméra réseau s'affiche, avec des liens vers les outils de configuration, lesquels vous permettent d'adapter la caméra à vos besoins.

Si nécessaire, cliquez sur Yes (Oui) pour installer AMC (AXIS Media Control) afin de visualiser le flux de données vidéo dans Internet Explorer. Pour ce faire, vous devrez être connecté à l'ordinateur avec des droits d'administrateur.

Si nécessaire, cliquez sur le lien pour installer les décodeurs manquants.

**Remarque :** Pour installer AMC sous Windows Vista et Windows 7, vous devez exécuter Internet Explorer en tant qu'administrateur. Cliquez avec le bouton droit de la souris sur l'icône d'Internet Explorer et sélectionnez Exécuter en tant qu'administrateur.

**Setup (Configuration) :** contient tous les outils nécessaires pour configurer la caméra en fonction de vos besoins.

**Help (Aide) :** affiche l'aide en ligne sur tout ce qui a trait à l'utilisation de la caméra.

The screenshot displays the web interface for an AXIS Q1755 Network Camera. At the top, the title bar reads "AXIS Q1755 Network Camera" and includes navigation links for "Live View", "Setup", and "Help". Below the title bar, there are several control elements: "Stream profile" set to "Motion JPEG", "Output 1" and "Output 2" buttons, a "Source" dropdown menu, and "Trigger" and "Snapshot" buttons. The central part of the interface is a large video feed showing a wide-angle view of a modern, brightly lit indoor space, likely a transit hub or a large office lobby, with many people walking. To the right of the video feed is a vertical slider control labeled "Up", "TLT", and "Down". Below the video feed, there are "Play/Pause", "Stop", "Full Screen", and "Refresh" icons, along with "Speakers" and "Microphone" indicators. At the bottom of the interface, there are three sets of controls: "PAN" with "Left" and "Right" buttons, "ZOOM" with "Wide" and "Tele" buttons, and "FOCUS" with "Near" and "Far" buttons. To the right of these are "Home" and "Ctrl panel" buttons. The bottom left corner of the interface shows the email address "Company@company.com".

## Autres méthodes de définition de l'adresse IP

Le tableau ci-dessous indique les autres méthodes permettant de configurer ou de détecter l'adresse IP. Toutes les méthodes sont activées par défaut et peuvent être désactivées.

	Utiliser sous le système d'exploitation	Remarques
UPnP™	Windows	Lorsque cette option est activée sur l'ordinateur, la caméra est automatiquement détectée et ajoutée au dossier Favoris réseau.
Bonjour	MAC OSX (10.4 ou version ultérieure)	Pour les navigateurs compatibles avec Bonjour. Accédez au signet de Bonjour dans votre navigateur (par exemple, Safari), puis cliquez sur le lien pour accéder aux pages Web de la caméra.
AXIS Dynamic DNS Service	Tous	Service Axis gratuit permettant d'installer rapidement et facilement votre caméra. Nécessite une connexion Internet sans proxy HTTP. Pour plus d'informations, rendez-vous sur <a href="http://www.axiscam.net">www.axiscam.net</a> .
ARP/Ping	Tous	Voir ci-dessous. La commande doit être saisie dans les 2 minutes suivant la mise sous tension de la caméra.
Serveur DHCP	Tous	Pour consulter les pages administratives du serveur DHCP réseau, reportez-vous à la documentation du serveur.

## Définition de l'adresse IP à l'aide d'ARP/Ping

1. Trouvez une adresse IP sur le même segment de réseau que celui de votre ordinateur.
2. Repérez le numéro de série (S/N) sur l'étiquette de la caméra.
3. Ouvrez une invite de commande sur votre ordinateur et saisissez les commandes suivantes :

Syntaxe pour Windows :	Exemple pour Windows :
arp -s <Adresse IP> <Numéro de série> ping -l 408 -t <Adresse IP>	arp -s 192.168.0.125 00-40-8c-18-10-00 ping -l 408 -t 192.168.0.125
Syntaxe pour UNIX/Linux/Mac :	Exemple pour UNIX/Linux/Mac :
arp -s <Adresse IP> <Numéro de série> temp ping -s 408 <Adresse IP>	arp -s 192.168.0.125 00:40:8c:18:10:00 temp ping -s 408 192.168.0.125

4. Vérifiez que le câble réseau est connecté à la caméra, puis démarrez/redémarrez cette dernière en débranchant puis en rebranchant l'alimentation.
5. Fermez l'invite de commande lorsque le message Reply from 192.168.0.125: (Réponse de 192.168.0.125 : ...) ou un message similaire s'affiche.
6. Dans votre navigateur, saisissez http://<Adresse IP> dans le champ Emplacement/Adresse, puis appuyez sur la touche Entrée de votre clavier.

### Remarques :

- Ouvrir une invite de commande sous Windows : dans le menu Démarrer, sélectionnez Exécuter... et tapez cmd. Cliquez sur OK.
- Pour utiliser la commande ARP sous Mac OS X, utilisez l'utilitaire Terminal dans Application > Utilities (Application - Utilitaires).

## Connecteurs de l'appareil

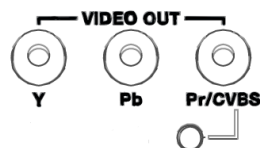
**Réseau** – Connecteur Ethernet RJ-45. PoE (alimentation par Ethernet, classe 3). Il est recommandé d'utiliser des câbles blindés.

**Entrée audio** – Entrée 3,5 mm pour microphone mono ou signal mono avec entrée ligne (le canal de gauche est utilisé pour le signal stéréo).

**Sortie audio** – Sortie audio 3,5 mm (niveau ligne) qui peut être connectée à un système de diffusion publique (PA) ou à un haut-parleur actif avec amplificateur intégré. Une paire d'écouteurs peut également être connectée. Un connecteur stéréo doit être utilisé pour la sortie audio.

**Sortie vidéo** – Connecteurs RCA pour la sortie vidéo en composantes ou composite.

- Sortie vidéo en composantes pour la vidéo HDTV (par exemple, caméra située dans une entrée et connectée à un écran HDTV)
- Vidéo composite (CVBS) – Pour une installation aisée à l'aide d'un écran de contrôle

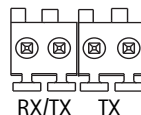


**RS-485/422** – Deux blocs terminaux à 2 broches pour l'interface série RS-485/422 utilisée pour le contrôle des équipements auxiliaires (appareils PTZ, etc.).

Le port série RS-485/422 peut être configuré dans les modes de port suivants :

- Port semi-duplex RS-485 bidirectionnel pour la transmission de données à l'aide de deux fils, une paire RX/TX combinée.
- Port duplex RS-485 bidirectionnel pour la transmission de données à l'aide de quatre fils, une paire RX et une paire TX.
- Port RS-422 unidirectionnel pour la transmission ou la réception de données à l'aide de deux fils, une paire RX ou TX.
- Port duplex RS-422 bidirectionnel pour la transmission de données (point à point) à l'aide de quatre fils, une paire RX et une paire TX.

RS-485/422



Broches 4 3 2 1

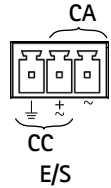
Fonction	Broche	Remarques
RS 485/422TX(A)	1	Paire TX pour RS-422 et RS-485 à 4 fils
RS 485/422TX(B)	2	
RS-485A alt RS-485/422RX(A)	3	Paire RX pour tous les modes (RX/TX combiné pour RS-485 à 2 fils)
RS-485B alt RS-485/422RX(B)	4	

**Logement de carte mémoire SDHC** – Carte mémoire SD haute capacité utilisée pour l'enregistrement local et le stockage amovible.

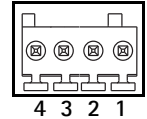


**Alimentation** – Bloc terminal à 3 broches 8-20 V CC ou 20-24 V CA

**! ATTENTION !** – Un raccord incorrect des fils risque d'endommager la caméra.



**Connecteur pour terminaux d'E/S** – Utilisé dans des applications telles que la détection de mouvement, le déclenchement d'événements, l'enregistrement à intervalles et les notifications d'alarme. En plus d'une alimentation auxiliaire et d'une broche GND, l'AXIS Q1755-E possède 2 broches qui peuvent être configurées comme entrées ou sorties. Ces broches assurent l'interface avec :



- **Sortie transistor** : permet de connecter des dispositifs externes, comme des relais ou des voyants. Les dispositifs connectés peuvent être activés à l'aide de l'interface de programmation VAPIX AXIS, à l'aide des boutons de sortie sur la page **Live View** (Vidéo en direct) ou par **type d'événement**. La sortie est considérée comme étant active (dans **Event Configuration > Port Status** (Configuration d'événement – État du port)) si le dispositif d'alarme est activé.
- **Entrée numérique** : entrée d'alarme utilisée pour connecter des dispositifs pouvant passer d'un circuit ouvert à un circuit fermé, par exemple : détecteurs infrarouge passifs, contacts de porte/fenêtre, détecteurs de bris de verre, etc. Lorsqu'un signal est reçu, l'état change et l'entrée devient active (sous **Event Configuration > Port Status** (Configuration d'événement – État du port)).

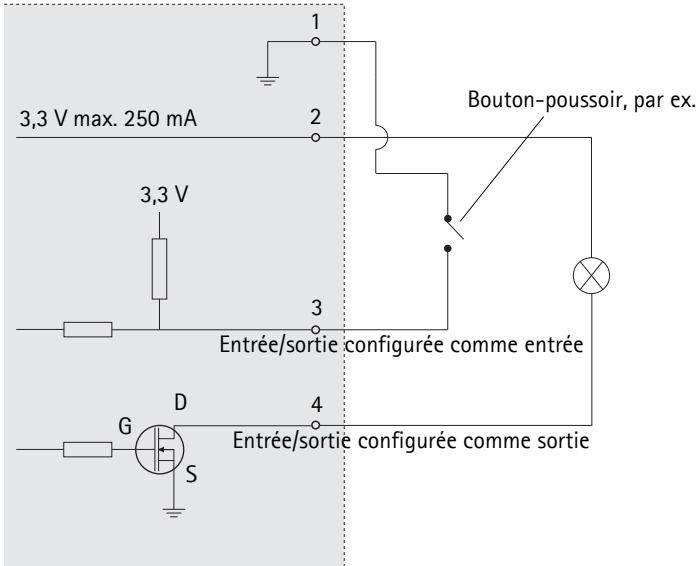
**Remarque :**

Le connecteur d'E/S de l'AXIS Q1755-E est connecté au boîtier électronique à la livraison et déclenchera un événement de port d'entrée pour indiquer une erreur de ventilateur ou de radiateur à son activation. Reportez-vous au manuel d'utilisation, disponible sur le CD fourni avec ce produit, ou au site [www.axis.com](http://www.axis.com), pour plus d'informations sur la configuration d'un événement.

Fonction	Broche	Remarques	Caractéristiques techniques
GND (Terre)	1	Mise à la terre	
Alimentation 3,3 V CC	2	Peut servir à alimenter le matériel auxiliaire. <b>Remarque</b> : la broche peut être utilisée <u>uniquement</u> comme sortie d'alimentation.	Charge maximale = 250mA
Configurable (entrée ou sortie)	3 - 4	Entrée numérique : connectez-la à la broche GND pour l'activer ou laissez-la flotter (déconnectée) pour la désactiver. <b>Remarque</b> : connecté au boîtier électronique à la livraison.	Entrée minimum = - 40 V CC Entrée maximum = + 40 V CC
		Sortie numérique : utilise un transistor NFET à drain ouvert avec la source connectée à la broche GND. En cas d'utilisation avec un relais externe, une diode doit être connectée en parallèle avec la charge, en guise de protection contre les tensions transitoires.	Charge maximale = 100mA Tension maximale = + 40 V CC

## Schéma de connexion

Le schéma de câblage qui suit fournit un exemple de connexion d'un périphérique auxiliaire à la caméra réseau.



## Voyants lumineux

DEL	Couleur	Indication
Réseau	Vert	Continu en cas de connexion à un réseau de 100 Mbits/s. Clignote en cas d'activité réseau.
	Orange	Continu en cas de connexion à un réseau de 10 Mbits/s. Clignote en cas d'activité réseau.
	Éteint	Pas de connexion au réseau.
Etat	Vert	Vert continu en cas de fonctionnement normal. Remarque : le voyant d'état peut être configuré pour être éteint pendant le fonctionnement normal ou pour clignoter uniquement en cas d'accès à la caméra. Pour ce faire, cliquez sur <b>Setup &gt; System Options &gt; LED (Configuration &gt; Options système &gt; DEL)</b> . Reportez-vous à l'aide en ligne pour plus d'informations.
	Orange	Continu pendant le démarrage, la réinitialisation des paramètres d'usine par défaut ou la restauration des paramètres.
	Rouge	Clignote lentement en cas d'échec de la mise à niveau.
Alimentation	Vert	Fonctionnement normal.
	Orange	Clignote en vert/orange pendant la mise à niveau du micrologiciel.

### Voyant d'état du boîtier électronique (ventilateur/radiateur)

DEL	Couleur	Indication
Alimentation	Vert	Oui
	Vert clignotant	Clignote une fois : erreur de radiateur Clignote deux fois : erreur de ventilateur Clignote trois fois : erreur générale Remarque : les événements d'alarme seront déclenchés via le port d'entrée de la caméra. Reportez-vous au Manuel d'utilisation du produit, que vous trouverez sur le CD joint ou sur le site <a href="http://www.axis.com">www.axis.com</a> , ou contactez votre revendeur Axis pour plus d'informations sur les pièces de rechange et sur le dépannage.

## Rétablissement des paramètres d'usine par défaut

Procédez comme suit pour rétablir tous les paramètres par défaut définis en usine, y compris l'adresse IP :

1. Mettez la caméra hors tension.
2. Maintenez le bouton de commande enfoncé et remettez la caméra sous tension.
3. Appuyez sur le bouton de commande jusqu'à ce que le voyant d'état passe à l'orange (cela peut prendre jusqu'à 15 secondes).
4. Relâchez le bouton de commande. Lorsque le voyant d'état émet une lumière verte (ce qui peut prendre 1 minute), les paramètres par défaut de la caméra ont été rétablis.
5. Attribuez à nouveau l'adresse IP à l'aide de l'une des méthodes décrites dans ce document.

Il est également possible de rétablir les paramètres d'usine par défaut d'origine à partir de l'interface Web. Pour plus d'informations, reportez-vous à l'aide en ligne ou au manuel d'utilisation.

## Accès à la caméra sur Internet

Une fois installée, votre caméra réseau est accessible sur votre réseau local (LAN). Pour accéder à la caméra via Internet, les routeurs réseau doivent être configurés pour autoriser le trafic entrant, ce qui est généralement réalisé sur un port spécifique.

- Le port HTTP (port 80 par défaut) pour l'affichage et la configuration
- Le port RTSP (port 554 par défaut) pour l'affichage des flux de données vidéo H.264

Pour plus d'informations, consultez la documentation du routeur. Pour plus d'informations à ce sujet ou pour toute autre question, consultez la page Assistance technique du site Web d'Axis à l'adresse [www.axis.com/techsup](http://www.axis.com/techsup).

## Plus d'informations

Le manuel d'utilisation est disponible sur le site Web d'Axis ([www.axis.com](http://www.axis.com)) et sur le CD de la caméra vidéo Axis fourni avec ce produit.

### Conseil :

Visitez le site [www.axis.com/techsup](http://www.axis.com/techsup) pour vérifier si des micrologiciels à jour sont disponibles pour votre produit. AXIS Q1755-E. Pour connaître la version du microprogramme actuellement installée, reportez-vous à la page **Setup > About** (Configuration - À propos de).



## Sicherheitsvorkehrungen und Warnungen

Bitte lesen Sie zunächst diese Installationsanleitung vollständig durch, bevor Sie mit der Installation Ihres Produkts beginnen. Halten Sie die Installationsanleitung bereit, falls Sie darauf zurückgreifen müssen.

### VORSICHT!

- Transportieren Sie das Axis-Produkt nur in der Originalverpackung bzw. in einer vergleichbaren Verpackung, damit das Produkt nicht beschädigt wird.
- Achten Sie darauf, dass das Axis-Produkt keinen Erschütterungen, Stößen oder starkem Druck ausgesetzt ist und montieren Sie die Kamera nicht auf instabilen Halterungen oder auf instabilen und vibrierenden Oberflächen oder Wänden. Dies könnte zu Beschädigungen des Produkts führen.
- Verwenden Sie keine elektrischen Werkzeuge zur Montage der Kamera, da diese das Produkt beschädigen könnten.
- Verwenden Sie keine chemischen, ätzenden oder Aerosol-Reinigungsmittel. Verwenden Sie zur Reinigung ein feuchtes Tuch.
- Verwenden Sie nur Zubehör und Ersatzteile, die von Axis empfohlen bzw. bereitgestellt wurden.
- Versuchen Sie nicht, das Produkt selbst zu reparieren. Wenden Sie sich bei Service-Angelegenheiten an Axis oder an Ihren Axis-Händler.

### WICHTIG!

- Verwenden Sie dieses Axis-Produkt unter Beachtung der geltenden rechtlichen Bestimmungen.
- Lagern und transportieren Sie das Axis-Produkt in einer trockenen und belüfteten Umgebung.

### Sicherheitshinweis: Batteriewechsel

Dieses Axis-Produkt ist mit einer 3,0-V-Lithium-Batterie vom Typ CR2032 ausgestattet, mit der die interne Echtzeituhr (RTC) versorgt wird. Unter normalen Bedingungen hält die Batterie mindestens 5 Jahre. Bei entladener Batterie ist der Betrieb der Echtzeituhr nicht mehr ausreichend gewährleistet, sodass die Uhr bei jedem Systemstart zurückgesetzt wird. Sie erhalten eine Protokollnachricht, wenn ein Batteriewechsel erforderlich ist. Die Batterie sollte erst bei Bedarf gewechselt werden.

Unter „[www.axis.com/techsup](http://www.axis.com/techsup)“ finden Sie Informationen darüber, was Sie beim Austausch der Batterie beachten müssen.

- Explosionsgefahr bei fehlerhaftem Batteriewechsel!
- Die Batterie muss durch dasselbe oder ein gleichwertiges Fabrikat ersetzt werden, das vom Hersteller zugelassen ist.
- Verbrauchte Batterien sind gemäß Herstelleranweisungen zu entsorgen.



# AXIS Q1755-E Installationsanleitung

In dieser Anleitung wird die Installation der AXIS Q1755-E-Netzwerk-Kamera in einem Netzwerk beschrieben. Alle weiteren Hinweise zur Verwendung des Produkts finden Sie im Benutzerhandbuch, das auf der mitgelieferten CD oder auf unserer Website unter „www.axis.com“ zur Verfügung steht.

## Installationschritte

1. Prüfen Sie, ob alle in der nachfolgenden Liste aufgeführten Komponenten vorhanden sind.
2. Sehen Sie sich die Hardwareübersicht an. Siehe Seite 48.
3. Installieren Sie die Hardware. Siehe Seite 50.
4. Weisen Sie eine IP-Adresse zu. Siehe Seite 54.
5. Legen Sie das Kennwort fest. Siehe Seite 57.



**Wichtig!**

Verwenden Sie dieses Produkt unter Beachtung der geltenden rechtlichen Bestimmungen.

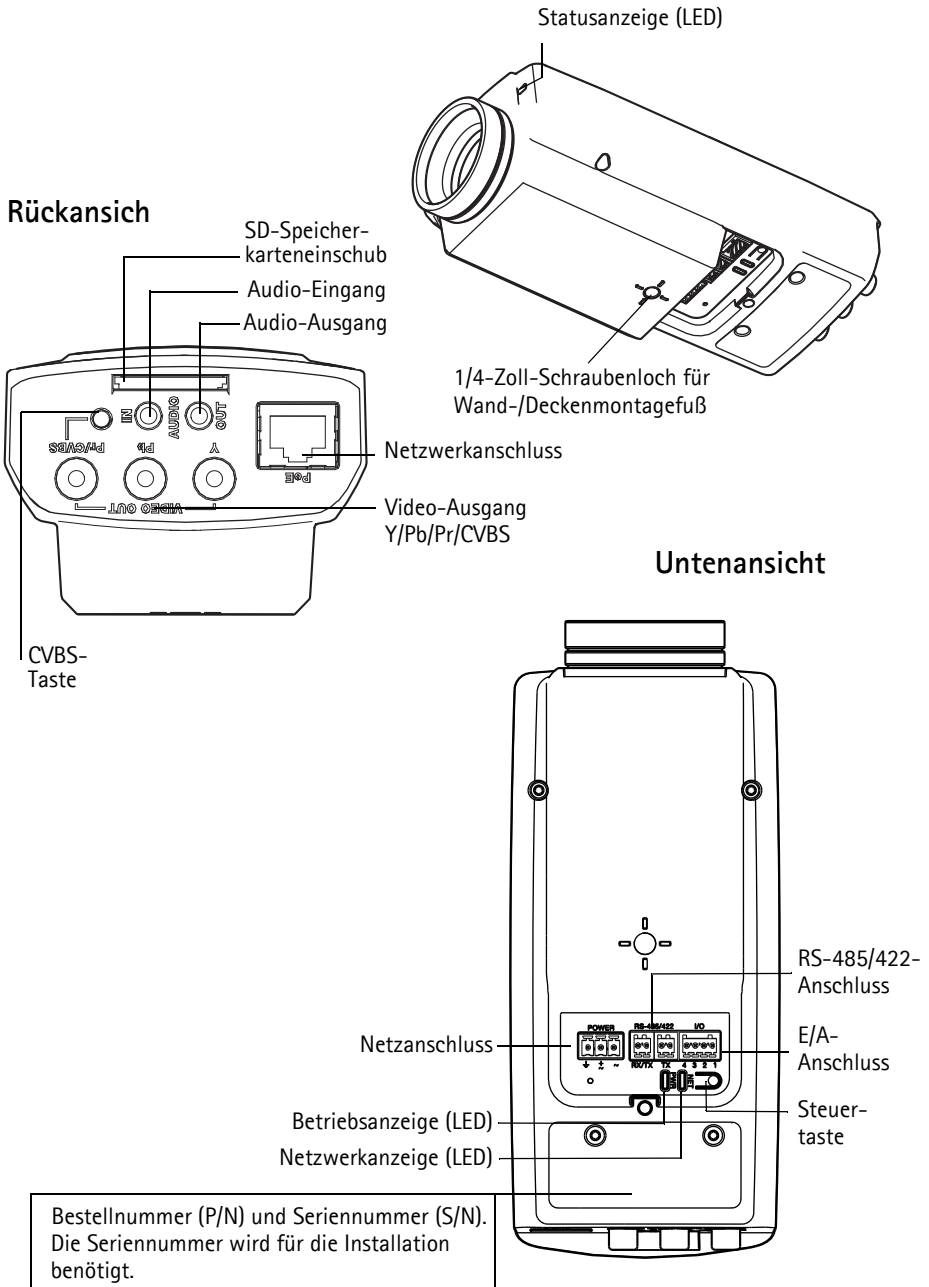
## 1 Lieferumfang

Komponente	Modelle/Varianten/Anmerkungen
Netzwerk-Kamera	AXIS Q1755-E 50 Hz/60 Hz
Klemmenblock-Anschluss	2-poliger Anschluss für die RS-485/422-Verbindung
Wandhalterung	Wandhalterung mit internem Kabelschacht
Tools	Torx T20-Schraubendreher Inbusschlüssel
CD-ROM	CD für AXIS-Netzwerkvideoprodukte einschließlich Produktdokumentation, Installationswerkzeugen und anderer Software
Gedruckte Dokumente	AXIS Q1755-E Installationsanleitung (dieses Dokument) Axis-Garantieerklärung Zwei zusätzliche Etiketten mit der Seriennummer

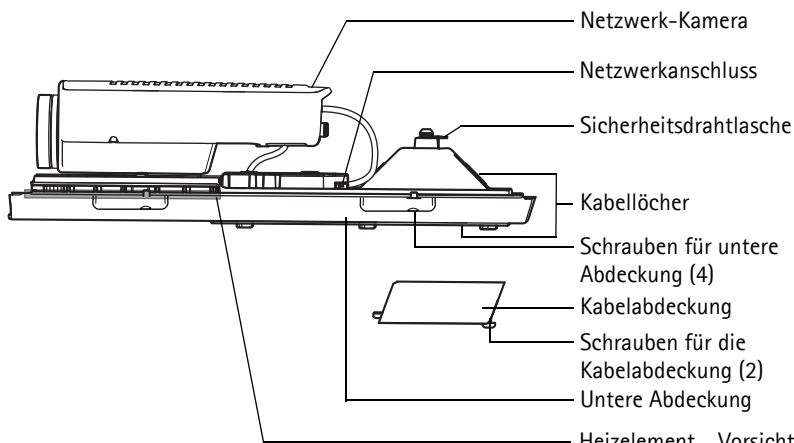
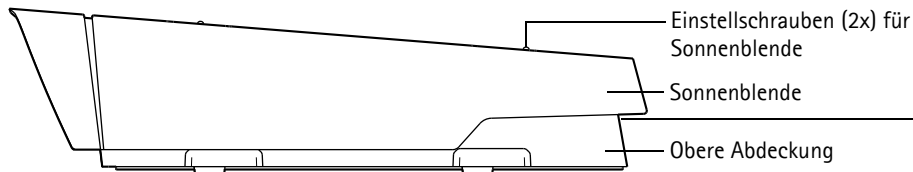
Optionales Zubehör	Unter www.axis.com finden Sie Informationen zum verfügbaren Zubehör
--------------------	---



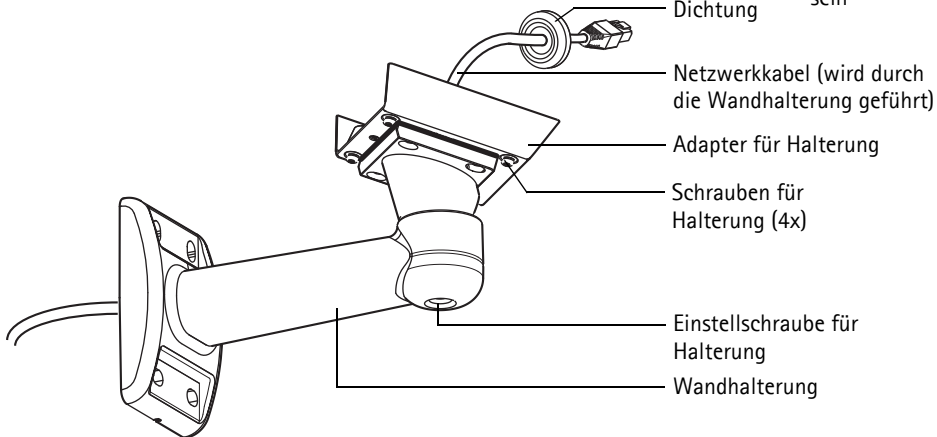
## 2 Hardwareübersicht



Bestellnummer (P/N) und Seriennummer (S/N).  
Die Seriennummer wird für die Installation benötigt.



Heizelement Vorsicht!  
kann heiß  
sein



## 3 Installation der Hardware

### Installation der Wandhalterung

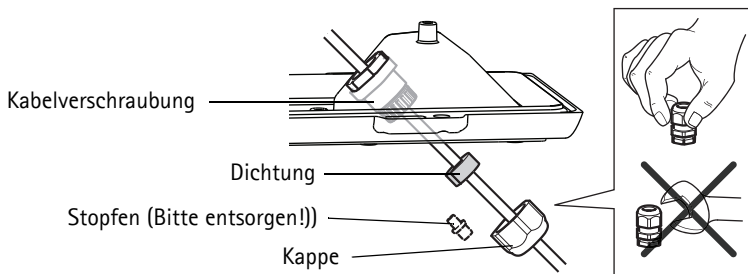
1. Bereiten Sie die Befestigung der Wandhalterung an der Wand, Decke oder an einem Mast vor und markieren Sie die Position der Bohrlöcher mithilfe der mitgelieferten Bohrschablone.
2. Ziehen Sie das Netzkabel durch die Wandhalterung. Die Gummidichtung sollte hierbei am Wandhalterungsadapter platziert sein. Siehe Abbildung auf Seite 49.
3. Montieren Sie die Wandhalterung an einer Wand, einer Decke oder einem Mast. Stellen Sie sicher, dass Sie für das Material (z. B. Holz, Metall, Gipskarton, Stein) die geeigneten Schrauben und Dübel verwenden.

#### Hinweise:

- Das Gewicht der Kamera beträgt 3.485 g. Vergewissern Sie sich, dass das Material stabil genug ist, um dieses Gewicht zu tragen.
- Alle weiteren technischen Daten zu diesem Produkt werden ausführlich im Benutzerhandbuch beschrieben, das auf der mitgelieferten CD oder auf unserer Website unter „www.axis.com“ zur Verfügung steht.

### Führen Sie das Netzkabel durch die Kabelöffnung.

1. Lösen Sie die Schrauben der Kabelabdeckung und nehmen Sie die Kabelabdeckung von der unteren Abdeckung ab.



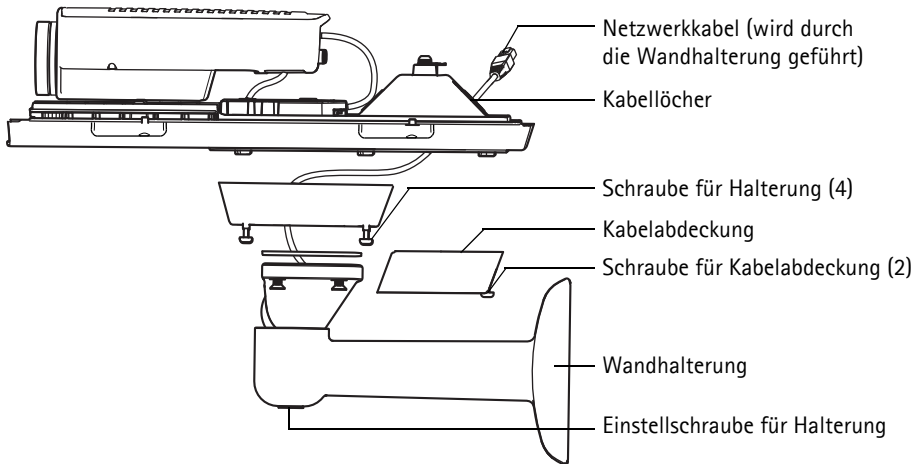
2. Entfernen Sie die Kappe, den Stopfen und die Dichtung aus der Kabelverschraubung, die verwendet werden soll.
3. Führen Sie das Netzkabel durch die Kappe.
4. Schieben Sie das Netzkabel durch den Schlitz in der Dichtung, um die Dichtung am Netzkabel zu fixieren. Informationen zu den Anforderungen an das Netzkabel finden Sie unter *Geräteanschlüsse*, auf Seite 61.
5. Führen Sie das Netzkabel durch die Kabelverschraubung.
6. Schieben Sie die Dichtung in die Kabelverschraubung und schrauben Sie die Kappe fest.

#### Hinweis:

Wenn eine andere Kabelführung als die mitgelieferte verwendet wird, kann möglicherweise Wasser eindringen und das Produkt beschädigt werden. Die Kabel müssen einen Durchmesser von 4,0 mm - 5,5 mm haben.

## Anbringen der Kamera an der Halterung

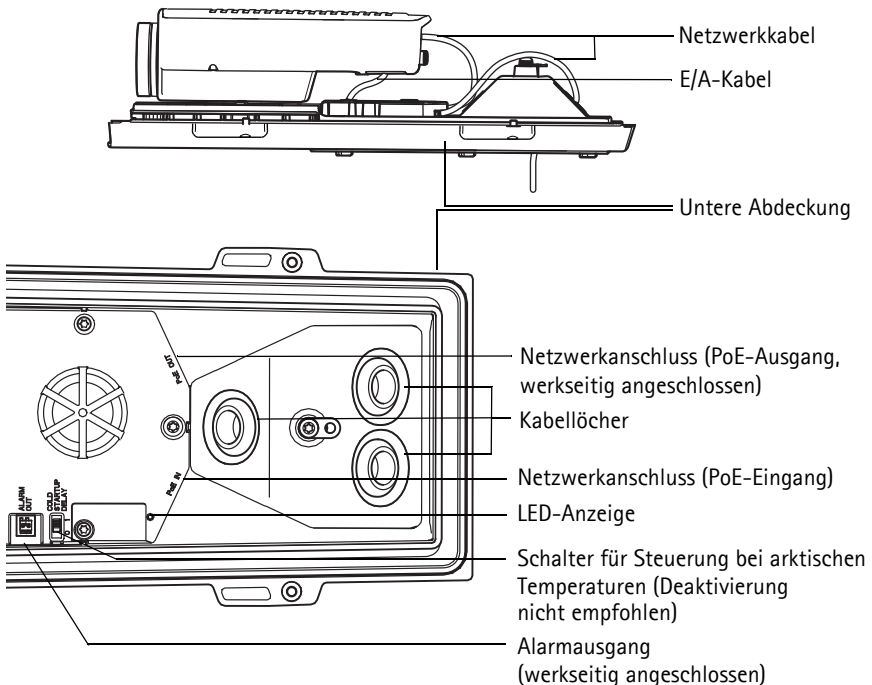
1. Montieren Sie die Kamera mit der unteren Abdeckung an der Halterung und ziehen Sie die Halterungsschrauben fest.
2. Entfernen Sie die Dichtung aus einem der Bohrlöcher in der unteren Abdeckung, siehe Abbildung auf Seite 49.
3. Führen Sie das Kabel durch das Loch und setzen Sie die Kabeldichtung wieder in das Loch ein.



4. Schließen Sie die Kabel an, siehe *Anschließen der Kabel*, auf Seite 52.
5. Nehmen Sie die obere Abdeckung ab und befestigen Sie den Sicherheitsdraht an der Lasche an der unteren Abdeckung. Siehe Abbildung auf Seite 49.
6. Bringen Sie die obere Abdeckung an. Ziehen Sie abwechselnd die jeweils diagonal gegenüberliegenden Schrauben der unteren Abdeckung einige Drehungen fest, bis alle Schrauben festgezogen sind. Somit wird sichergestellt, dass die Dichtung der unteren Abdeckung gleichmäßig angepresst wird. Versuchen Sie nicht, die Schrauben sofort vollständig festzuziehen.
7. Bringen Sie die Kabelabdeckung an und ziehen Sie die Schrauben der Kabelabdeckung fest.
8. Lösen Sie die Einstellschrauben der Sonnenblende und richten Sie die Sonnenblende nach vorne aus.
9. Lösen Sie die Einstellschraube der Halterung und richten Sie die Kamera auf das gewünschte Ziel aus. Weitere Informationen zur Anzeige des Videostroms finden Sie unter *Zugriff auf den Videostrom*, auf Seite 58.

## Anschließen der Kabel

1. Schieben Sie ggf. eine SD-Speicherkarte (separat erhältlich) in den SDHC-Speicherkartenschacht. Wenn Sie Bilder lokal in der Netzwerk-Kamera speichern möchten, benötigen Sie eine SD-Speicherkarte mit normaler oder hoher Kapazität.
2. Schließen Sie externe Eingabe/Ausgabegeräte an (optional). Informationen zur Anschlussbelegung finden Sie auf Seite 61. Bereiten Sie die Kabel mit Dichtungen vor. Weitere Informationen hierzu finden Sie unter *Vorbereiten des Netzkabels*, auf Seite 50. Führen Sie die Kabel durch die Bohrlöcher in der unteren Abdeckung zur Kamera.
3. Verbinden Sie die Kamera über ein abgeschirmtes Netzkabel mit dem Netzwerk. Verwenden Sie den Netzwerkanschluss (PoE-Eingang) an der unteren Abdeckung. Das Netzkabel und das E/A-Kabel zwischen der unteren Abdeckung und der Kamera sind werkseitig bereits angeschlossen.

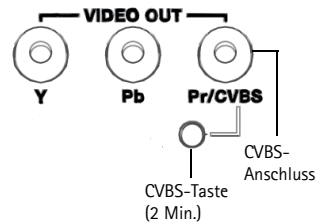


4. Überprüfen Sie, ob die LED-Anzeigen die Betriebszustände korrekt angeben. Weitere Informationen hierzu finden Sie in der Tabelle auf Seite 64.

## Composite-Video-Ausgang (optional)

Befolgen Sie für die schnelle und einfache Installation die folgenden Anweisungen zur Anzeige des Videosignals auf einem angeschlossenen Videomonitor.

1. Befolgen Sie dazu die Anweisungen in *Anschließen der Kabel*, auf Seite 52.
2. Verbinden Sie über ein Composite-Videokabel einen Videomonitor mit dem Video-Ausgang „Pr/CVBS“ (rot) an der AXIS Q1755-E.
3. Halten Sie die Taste „CVBS“ fünf Sekunden lang gedrückt, um in den Installationsmodus für die Composite-Video-Ausgabe zu schalten.  
**Hinweis:** Die AXIS Q1755-E bleibt zwei Minuten lang im Installationsmodus und schaltet anschließend automatisch wieder zu Component-Video zurück. Falls Sie mehr Zeit benötigen, drücken Sie die Taste erneut.
4. Positionieren Sie die Kamera und überprüfen Sie, ob der gewünschte Bereich auf dem Bildschirm angezeigt wird.
5. Trennen Sie die Verbindung mit dem Videomonitor.



## Component-Video-Ausgang (optional)

Gehen Sie wie folgt vor, um das Videosignals direkt auf einem angeschlossenen HDTV-Videomonitor anzuzeigen.



1. Befolgen Sie dazu die Anweisungen in *Anschließen der Kabel*, auf Seite 52.
2. Schließen Sie die AXIS Q1755-E direkt an einen HDTV-Monitor an. Verbinden Sie hierzu ein Component-Video-Kabel mit den Video-Ausgängen „Y“, „Pb“ und „Pr“. Fahren Sie anschließend mit den Anweisungen unter *Zuweisen einer IP-Adresse*, auf Seite 54 fort.

## 4 Zuweisen einer IP-Adresse

In den meisten Netzwerken ist heutzutage ein DHCP-Server eingebunden, der angeschlossenen Geräten automatisch IP-Adressen zuweist. Wenn Ihr Netzwerk über keinen DHCP-Server verfügt, wird für die AXIS Q1755-E die Standard-IP-Adresse 192.168.0.90 verwendet.

Zum Zuweisen einer statischen IP-Adresse stehen unter Windows die Programme **AXIS IP Utility** und **AXIS Camera Management** zur Verfügung. Verwenden Sie die Methode, die für die gewünschte Anzahl der zu installierenden Kameras geeignet ist.

Beide Anwendungen stehen kostenlos auf der mitgelieferten CD für Axis-Netzwerkvideoprodukte zur Verfügung oder können unter „[www.axis.com/techsup](http://www.axis.com/techsup)“ heruntergeladen werden.

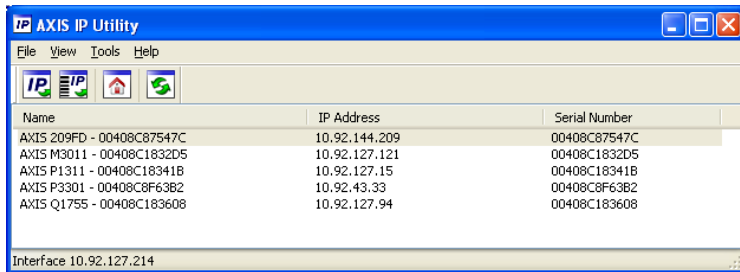
Methode	Empfohlen für	Betriebssystem
 AXIS IP Utility Siehe Seite 55	Einzelne Kamera Kleine Installationen	Windows
 AXIS Camera Management Siehe Seite 56	Mehrere Kameras Große Installationen Installation in einem anderen Subnetz	Windows 2000 Windows XP Pro Windows 2003 Server Windows Vista

### Hinweise:

- Falls Sie die IP-Adresse nicht zuweisen können, müssen ggf. die Einstellungen der Firewall überprüft werden.
- Weitere Informationen zu alternativen Methoden zum Festlegen der IP-Adresse der AXIS Q1755-E (z. B. in anderen Betriebssystemen) finden Sie auf Seite 59.

## AXIS IP Utility – einzelne Kamera/kleine Installation

AXIS IP Utility erkennt automatisch die im Netzwerk vorhandenen Axis-Geräte und zeigt diese an. Die Anwendung kann außerdem zur manuellen Zuweisung einer statischen IP-Adresse verwendet werden.




Beachten Sie, dass sich der Computer, auf dem AXIS IP Utility ausgeführt wird, und die Netzwerk-Kamera in demselben Netzwerksegment (physischen Subnetz) befinden müssen.

### Automatische Erkennung

1. Stellen Sie sicher, dass die Netzwerk-Kamera an das Netzwerk und an die Stromversorgung angeschlossen ist.
2. Starten Sie AXIS IP Utility.
3. Doppelklicken Sie auf das Symbol der Kamera, um die entsprechende Startseite zu öffnen.
4. Anweisungen zum Festlegen des Kennworts finden Sie auf Seite 57.

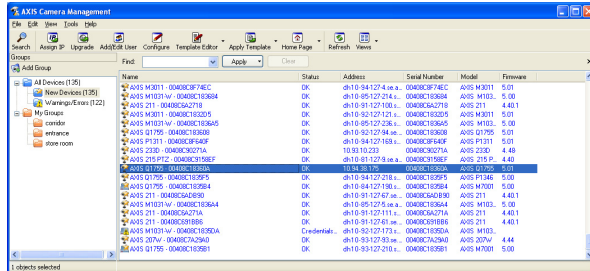
### Manuelle Zuweisung der IP-Adresse (optional)

1. Wählen Sie eine nicht zugewiesene IP-Adresse im selben Netzwerksegment, in dem sich Ihr Computer befindet.
2. Wählen Sie die Netzwerk-Kamera in der Liste aus.
3. Klicken Sie auf die Schaltfläche  **Assign new IP address to the selected device** (Zuweisung einer neuen IP-Adresse an das ausgewählte Gerät) und geben Sie die IP Adresse ein.
4. Klicken Sie auf die Schaltfläche **Assign** (Zuweisen) und befolgen Sie die Anweisungen auf dem Bildschirm. Beachten Sie, dass die Kamera innerhalb von 2 Minuten neu gestartet werden muss, um die neue IP-Adresse festzulegen.
5. Klicken Sie auf die Schaltfläche **Home Page** (Startseite), um auf die Webseiten der Kamera zuzugreifen.
6. Anweisungen zum Festlegen des Kennworts finden Sie auf Seite 57.



## AXIS Camera Management – mehrere Kameras/große Installationen


Mit AXIS Camera Management können automatisch mehrere Axis-Geräte erkannt, der Verbindungsstatus angezeigt, die Firmware-Aktualisierungen verwaltet und IP-Adressen festgelegt werden.

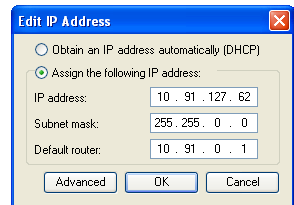


### Automatische Erkennung

1. Stellen Sie sicher, dass die Kamera an das Netzwerk und die Stromversorgung angeschlossen ist.
2. Starten Sie AXIS Camera Management. Wenn die Netzwerk-Kamera im Fenster angezeigt wird, klicken Sie mit der rechten Maustaste darauf und wählen Sie **Live View Home Page** (Homepage der Live-Ansicht).
3. Anweisungen zum Festlegen des Kennworts finden Sie auf Seite 57.


### Zuweisen einer IP-Adresse für ein einzelnes Gerät

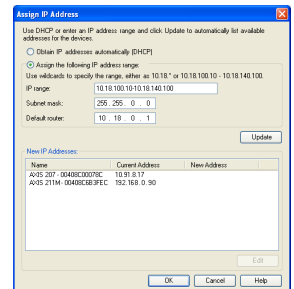
1. Wählen Sie in AXIS Camera Management die Netzwerk-Kamera aus und klicken Sie auf die Schaltfläche **Assign IP** (IP-Adresse zuweisen). 
2. Wählen Sie die Option **Assign the following IP address** (Folgende IP-Adresse zuweisen) und geben Sie die IP-Adresse, die Subnetzmaske und den Standardrouter für das Gerät ein.
3. Klicken Sie auf **OK**.



### Zuweisen von IP-Adressen für mehrere Geräte

AXIS Camera Management beschleunigt die Zuweisung von IP-Adressen an mehrere Geräte, indem IP-Adressen aus einem angegebenen Bereich vorgeschlagen werden.

1. Wählen Sie die zu konfigurierenden Geräte aus (es können auch unterschiedliche Modelle gewählt werden) und klicken Sie auf die Schaltfläche **Assign IP** (IP-Adresse zuweisen). 
2. Wählen Sie die Option **Assign the following IP address range** (Folgenden IP-Adressbereich zuweisen) und geben Sie den IP-Adressbereich, die Subnetzmaske und den Standardrouter für die Geräte ein.
3. Klicken Sie auf **OK**.



## 5 Festlegen des Kennworts

Für den Zugriff auf das Produkt muss das Kennwort für den standardmäßigen Administrator-Benutzer **root** festgelegt werden. Beim erstmaligen Zugriff auf die Netzwerk-Kamera wird das Dialogfeld **Configure Root Password** (Root-Kennwort konfigurieren) angezeigt. Dort kann das Kennwort festgelegt werden.

Um ein Abhören der Netzwerkkommunikation während der Festlegung des Root-Kennworts zu vermeiden, können Sie diesen Vorgang über eine verschlüsselte HTTPS-Verbindung durchführen, die ein HTTPS-Zertifikat erfordert.

**Hinweis:** Das Protokoll HTTPS (Hypertext Transfer Protocol over SSL) wird verwendet, um den Datenverkehr zwischen Webbrowsern und Servern zu verschlüsseln. Das HTTPS-Zertifikat steuert den verschlüsselten Informationsaustausch.

Zum Festlegen des Kennworts über eine standardmäßige HTTP-Verbindung geben Sie es direkt in das erste unten abgebildete Dialogfeld ein.

Um das Kennwort über eine verschlüsselte HTTPS-Verbindung festzulegen, führen Sie die folgenden Schritte aus:

1. Klicken Sie auf die Schaltfläche **Create self-signed certificate** (Selbstsigniertes Zertifikat erstellen).
2. Geben Sie die angeforderten Informationen ein und klicken Sie auf **OK**. Das Zertifikat wird erstellt, und das Kennwort kann jetzt sicher festgelegt werden. Der gesamte Datenverkehr der Netzwerk-Kamera wird ab diesem Zeitpunkt verschlüsselt.
3. Geben Sie ein Kennwort ein, und wiederholen Sie die Eingabe, um die korrekte Schreibweise zu bestätigen. Klicken Sie auf **OK**. Damit ist das Kennwort konfiguriert.

Klicken Sie zum Herstellen einer HTTPS-Verbindung zunächst auf

Um das Kennwort direkt über eine unverschlüsselte Verbindung zu konfigurieren, geben Sie es hier ein.

4. Geben Sie in das Anmeldungsdialogfeld den Benutzernamen „root“ wie erforderlich ein.  
Hinweis: Der standardmäßige Administrator-Benutzername „root“ kann nicht gelöscht werden.
5. Geben Sie das zuvor festgelegte Kennwort ein und klicken Sie auf „OK“.  
Hinweis: Wenn Sie das Kennwort vergessen haben, muss die Kamera auf die Werkseinstellungen zurückgesetzt werden. Siehe Seite 65.

## Zugriff auf den Videostrom

Die Seite „Live View“ (Live-Ansicht) der Netzwerk-Kamera wird geöffnet. Sie enthält Links zu Setup-Tools, mit denen Sie die Kamera Ihren Anforderungen entsprechend anpassen können.

Klicken Sie bei Bedarf auf **Yes (Ja)**, um AMC (AXIS Media Control) zu installieren. Nach Abschluss der Installation können Sie Videoströme in Internet Explorer anzeigen. Hierzu müssen Sie über Administratorrechte für den Computer verfügen.

Falls nötig, klicken Sie auf den Link, um fehlende Decoder zu installieren.

**Hinweis:** Für die Installation von AMC unter Windows Vista und Windows 7 müssen Sie Internet Explorer als Administrator ausführen. Klicken Sie mit der rechten Maustaste auf das Internet Explorer-Symbol und wählen Sie „Als Administrator ausführen“.

**Setup:** Alle zur benutzerspezifischen Konfiguration der Kamera notwendigen Werkzeuge.

**Hilfe:** Zum Aufrufen der Online-Hilfe für die Kamera.

The screenshot displays the web interface for an AXIS Q1755 Network Camera. At the top, the title bar reads "AXIS Q1755 Network Camera" and "Live View | Setup | Help". Below the title bar, there is a toolbar with "Stream profile: Motion JPEG", "Output 1", "Output 2", "Source", "Trigger", and "Snapshot". The main content area shows a live video feed of an airport terminal. On the right side of the video, there is a vertical "TILT" control with "Up" and "Down" arrows. Below the video, there are playback controls (Play, Stop, Pause, Full Screen, etc.), "Speakers" and "Microphone" icons, and a control panel with "PAN" (Left, Right), "ZOOM" (Wide, Tele), "FOCUS" (Near, Far), and buttons for "Home" and "Ctrl panel".

## Andere Methoden zum Festlegen der IP-Adresse

Diese Tabelle bietet einen Überblick über weitere Methoden, die IP-Adresse festzulegen bzw. zu ermitteln. Alle Methoden sind standardmäßig aktiviert und können deaktiviert werden.

	Verwendung im Betriebssystem	Hinweise
UPnP™	Windows	Wenn die Funktion auf dem Computer aktiviert ist, wird die Kamera automatisch erkannt und zu „Netzwerkumgebung“ hinzugefügt.
Bonjour	MAC OSX (10.4 oder höher)	Kann nur bei Browsern verwendet werden, die Bonjour unterstützen. Navigieren Sie zum Bonjour-Lesezeichen Ihres Browsers (z. B. Safari) und klicken Sie auf den Link, um auf die Webseiten der Kamera zu gelangen.
AXIS Dynamic DNS Service	Alle	Ein kostenloser Service von Axis, mit dem Sie Ihre Kamera schnell und einfach installieren können. Eine Internetverbindung ohne HTTP-Proxyserver ist Voraussetzung. Weitere Informationen hierzu finden Sie auf "www.axiscam.net".
ARP/Ping	Alle	Siehe unten. Der Befehl muss innerhalb von 2 Minuten erfolgen, nachdem die Kamera an das -Stromnetz angeschlossen wurde.
DHCP-Server	Alle	Hinweise zum Anzeigen der Administrationsseiten des DHCP-Servers im Netzwerk finden Sie in der Serverdokumentation.

## Zuweisen der IP-Adresse per ARP/Ping

1. Wählen Sie eine IP-Adresse aus dem Netzwerksegment, in dem sich auch Ihr Computer befindet.
2. Suchen Sie die Seriennummer (S/N) auf dem Produktaufkleber an der Kamera.
3. Öffnen Sie auf Ihrem Computer die Eingabeaufforderung und geben Sie die folgenden Befehle ein:

<b>Windows-Syntax:</b>	<b>Beispiel für Windows:</b>
arp -s <IP-Adresse> <Seriennummer> ping -l 408 -t <IP-Adresse>	arp -s 192.168.0.125 00-40-8c-18-10-00 ping -l 408 -t 192.168.0.125
<b>Syntax unter UNIX/Linux/Mac:</b>	<b>Beispiel für UNIX/Linux/Mac:</b>
arp -s <IP-Adresse> <Seriennummer> temp ping -s 408 <IP-Adresse>	arp -s 192.168.0.125 00:40:8c:18:10:00 temp ping -s 408 192.168.0.125

4. Stellen Sie sicher, dass das Netzkabel mit der Kamera verbunden ist und starten Sie die Kamera bzw. starten Sie diese neu, indem Sie die Stromversorgung unterbrechen und wiederherstellen.
5. Schließen Sie die Befehlszeile, sobald „Reply from 192.168.0.125:“ oder eine ähnliche Meldung erscheint.
6. Starten Sie einen Browser, geben Sie im Adressfeld „http://<IP-Adresse>“ ein und drücken Sie die Eingabetaste auf der Tastatur.

### Hinweise:

- So öffnen Sie die Eingabeaufforderung unter Windows: Wählen Sie im Startmenü die Option „Ausführen...“ aus und geben Sie „cmd“ ein. Klicken Sie auf OK.
- Verwenden Sie zum Eingeben des Befehls „ARP“ unter Mac OS X das Dienstprogramm „Terminal“, das Sie unter **Programme > Dienstprogramme** finden.

## Geräteanschlüsse

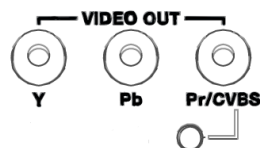
**Netzwerk** – RJ-45-Ethernetanschluss. Unterstützt PoE (Power over Ethernet, Klasse 3). Die Verwendung von abgeschirmten Kabeln wird empfohlen.

**Audio-Eingang** – 3,5-mm-Anschluss für ein Monomikrofon oder ein Monosignal (linker Kanal wird von einem Stereosignal benutzt).

**Audio-Ausgang** – 3,5-mm-Audio-Ausgang (Leistungsstufe) zum Anschließen einer Rundrufanlage (PA) oder eines Aktivlautsprechers mit integriertem Verstärker. Auch ein Kopfhörer kann angeschlossen werden. Ein Stereostecker muss für Audioausgabe benutzt werden.

**Video-Ausgang** – RCA-Anschlüsse für die Component- oder Composite-Video-Ausgang.

- Component-Video-Ausgang – für HDTV-Video, z. B. für eine mit einem HDTV-Bildschirm verbundene Eingangsüberwachungskamera
- Composite-Video (CVBS) – zur einfachen Installation unter Verwendung eines Videomonitors

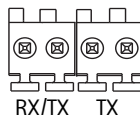


**RS-485/422** – Zwei 2-polige Anschlussblöcke für serielle Schnittstellen vom Typ RS-485/422 zur Steuerung von Zusatzgeräten, wie z. B. PTZ-Geräten.

Der serielle RS-485/422-Anschluss kann in den folgenden Anschlussmodi konfiguriert werden:

- Bidirektionaler RS-485-Halbduplex-Anschluss für die Datenübertragung über 2-Draht, ein kombiniertes RX/TX-Paar.
- Bidirektionaler RS-485-Vollduplex-Anschluss für die Datenübertragung über 4-Draht, ein RX-Paar und ein TX-Paar.
- Unidirektionaler RS-422-Anschluss für die Datenübertragung bzw. den Datenempfang über 2-Draht, RX- oder TX-Paar.
- Bidirektionaler RS-422-Vollduplex-Anschluss für die Datenübertragung (Punkt-zu-Punkt) über 4-Draht, ein RX-Paar und ein TX-Paar.

RS-485/422-

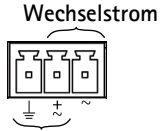


Kontakte 4 3 2 1

Funktion	Anschluss	Hinweise
RS 485/422TX(A)	1	TX-Paar für RS-422 und RS-485 mit 4 Leitern
RS 485/422TX(B)	2	
RS-485A alt RS-485/422RX(A)	3	RX-Paar für alle Modi (kombinierter RX/TX für RS-485 mit 2 Leitern)
RS-485B alt RS-485/422RX(B)	4	

**SDHC-Speicherkarteneinschub** – Für SD-Speicherkarten mit hoher Kapazität (SDHC) für die lokale Aufzeichnung und als Wechselmedium.

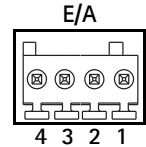
**Betriebsanzeige** – 3-poliger Anschlussblock, 8-20 V Gleichstrom oder 20-24 V Wechselstrom



Gleichstrom

- ! **VORSICHT!** – Wenn Sie die Kabel falsch anschließen, kann die Kamera beschädigt werden.

**E/A-Anschluss** – Wird z. B. für Bewegungserkennung und Ereignisauslösung, Zeitrafferaufnahmen und Alarmbenachrichtigungen verwendet. Außer den Kontakten für eine Zusatzstromversorgung und Masse verfügt die AXIS Q1755-E noch über 2 weitere Kontakte, die entweder als Eingang oder als Ausgang konfiguriert werden können. Diese Kontakte stellen die Schnittstelle für Folgendes bereit:



- **Transistorausgang:** Für den Anschluss externer Relais und LEDs. Angeschlossene Geräte können über die AXIS VAPIX API, über die Schaltflächen für den Ausgang –auf der Seite **Live View** (Live-Ansicht) oder durch einen **Ereignistyp** aktiviert werden. Der Ausgang wird als aktiviert (**Event Configuration > Port Status** [Ereigniskonfiguration > Port-Status]) angezeigt, wenn das Alarm meldende Gerät eingeschaltet ist.
- **Digitaleingang:** Alarমেingang für den Anschluss von Geräten, die zwischen geöffnetem und geschlossenem Schaltkreis wechseln können, z. B.: PIR-Kameras, Tür-/Fensterkontakte, Glasbruchmelder usw. Bei Empfang eines Signals ändert sich der Status und der Eingang wird aktiviert (siehe **Event Configuration > Port Status** [Ereigniskonfiguration - Port-Status]).

#### Hinweis:

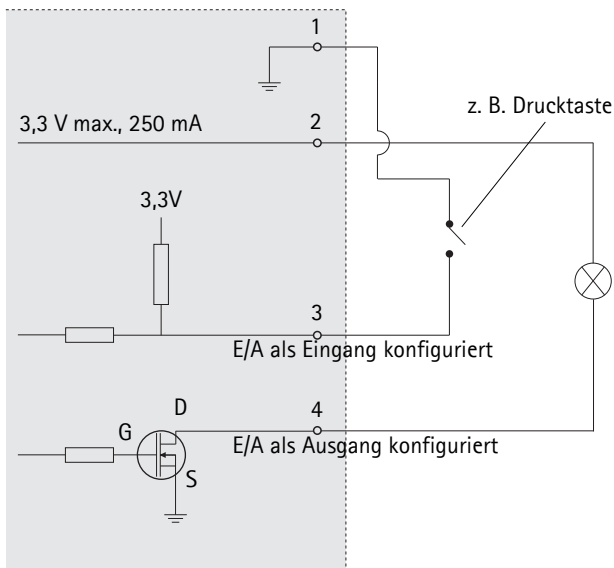
Der E/A-Anschluss an der AXIS Q1755-E ist ab Werk an die Gehäuseelektronik angeschlossen und löst bei entsprechender Aktivierung ein Ereignis über den Eingangsport aus, wenn Probleme mit dem Lüfter oder der Heizung auftreten. Weitere Informationen darüber, wie Ereignisse eingerichtet werden, finden Sie im Benutzerhandbuch, das sich auf der mitgelieferten CD befindet und auf der Website unter „www.axis.com“ erhältlich ist.

Funktion	Anschluss	Hinweise	Spezifikationen
Schutzleiter	1	Masse	
3,3 V Gleichstrom	2	Dieser Kontakt kann auch für die Stromversorgung von Zusatzgeräten verwendet werden. <b>Hinweis:</b> Dieser Anschluss kann <u>nur</u> für die Stromversorgung verwendet werden.	Max. Stromstärke = 250mA

Funktion	Anschluss	Hinweise	Spezifikationen
Konfigurierbar (Ein- oder Ausgang)	3 - 4	Digitaleingang: Zum Aktivieren mit dem Massekontakt verbinden; zum Deaktivieren nicht anschließen. <b>Hinweis:</b> Werkseitig mit der Gehäuseelektronik verbunden.	Min. Eingang = -40 V DC Max. Eingang = +40 V DC
		Digitalausgang: Verwendet einen Open-Drain-NFET-Transistor, wobei die Quelle mit der Masse verbunden ist. Zum Schutz vor Spannungsspitzen muss bei der Kombination mit einem externen Relais eine Diode parallel zur Last geschaltet werden.	Max. Stromstärke = 100 mA Max. Spannung = +40 V DC

### Anschlusschaltbild

Das folgende Anschlusschaltbild zeigt ein Beispiel für den Anschluss eines Zusatzgeräts an die Netzwerk-Kamera.





## LED-Anzeigen

LED	Farbe	Bedeutung
Netzwerk	Grün	Leuchtet dauerhaft bei Verbindung mit einem 100-MBit/s-Netzwerk. Blinkt bei Netzwerkaktivität.
	Gelb	Leuchtet dauerhaft bei Verbindung mit einem 10-MBit/s-Netzwerk. Blinkt bei Netzwerkaktivität.
	Leuchtet nicht	Keine Netzwerkverbindung vorhanden.
Status	Grün	Leuchtet bei Normalbetrieb konstant grün. Hinweis: Die Status-LED kann so konfiguriert werden, dass sie bei normalem Betrieb nicht leuchtet oder nur dann blinkt, wenn auf die Kamera zugegriffen wird. Diese Konfiguration können Sie unter <b>Setup &gt; System Options &gt; LED (Setup &gt; Systemoptionen &gt; LED)</b> vornehmen. Weitere Informationen hierzu finden Sie in der Online-Hilfe.
	Gelb	Leuchtet konstant beim Einschalten und beim Wiederherstellen der Werkseinstellungen bzw. von vorherigen Einstellungen.
	Rot	Blinkt langsam bei Aktualisierungsfehler.
Betriebsanzeige	Grün	Normaler Betrieb.
	Gelb	Blinkt grün/gelb während Firmware-Aktualisierung.

### Status-LED an der Gehäuseelektronik (Lüfter/Heizung)

LED	Farbe	Bedeutung
Betriebsanzeige	Grün	OK
	Blinkt grün	Einzelnes Blinken: Probleme mit der Heizung Doppeltes Blinken: Probleme mit dem Lüfter Dreifaches Blinken: Allgemeiner Fehler Hinweis: Alarmereignisse werden über den Eingangsport der Kamera ausgelöst. Weitere Informationen hierzu finden Sie im Benutzerhandbuch, das sich auf der mitgelieferten CD befindet und auf der Website unter „www.axis.com“ erhältlich ist. Wenden Sie sich an Ihren Axis-Händler, wenn Sie Informationen zu Ersatzteilen oder Hilfe bei der Lösung von Problemen benötigen.

## Wiederherstellen der werkseitigen Standardeinstellungen

Gehen Sie wie folgt vor, um sämtliche Parameter einschließlich der IP-Adresse auf die werkseitigen Standardeinstellungen zurückzusetzen:

1. Trennen Sie die Kamera von der Stromversorgung.
2. Halten Sie die Steuertaste gedrückt und schließen Sie den Netzstecker wieder an.
3. Halten Sie die Steuertaste so lange gedrückt, bis die Statusanzeige gelb aufleuchtet (dies kann bis zu 15 Sekunden dauern).
4. Lassen Sie die Steuertaste los. Sobald die Statusanzeige grün leuchtet (dies kann bis zu einer Minute dauern), ist die Kamera auf die werkseitigen Standardeinstellungen zurückgesetzt.
5. Legen Sie die IP-Adresse erneut fest. Wenden Sie dabei eines der in diesem Handbuch beschriebenen Verfahren an.

Die Parameter können auch über die Weboberfläche auf die werkseitigen Einstellungen zurückgesetzt werden. Weitere Informationen dazu finden Sie in der Online-Hilfe und im Benutzerhandbuch.

## Zugriff auf die Kamera über das Internet

Sobald die Netzwerk-Kamera installiert ist, können Sie in Ihrem lokalen Netzwerk (LAN) darauf zugreifen. Um auch über das Internet auf die Kamera zugreifen zu können, müssen Sie die Netzwerk-Router so konfigurieren, dass diese den entsprechenden eingehenden Datenverkehr zulassen, was üblicherweise durch Zuweisung eines bestimmten Ports geschieht.

- HTTP-Port (standardmäßig Port 80) für die Anzeige und Konfiguration
- RTSP-Port (standardmäßig Port 554) für die Anzeige von H.264-Videoströmen

Ausführliche Informationen zu diesem Thema finden Sie in der Dokumentation des Routers. Weitere Informationen zu diesem und zu anderen Themen erhalten Sie auf der Axis Support-Website unter "[www.axis.com/techsup](http://www.axis.com/techsup)".

## Weitere Informationen

Das Benutzerhandbuch ist auf der Axis Website unter „<http://www.axis.com>“ erhältlich und befindet sich auch auf der mitgelieferten CD für Axis-Netzwerkvideoprodukte.

### Tipp!

Unter „[www.axis.com/techsup](http://www.axis.com/techsup)“ finden Sie Firmware-Aktualisierungen für Ihre AXIS Q1755-E. Informationen zur aktuellen Firmware-Version finden Sie unter **Setup > Info**.



## Precauzioni e avvertenze

Leggere per intero e con attenzione questa Guida all'installazione prima di installare il prodotto. Conservare la Guida all'installazione per ulteriori riferimenti.

### ATTENZIONE!

- Quando si trasporta un prodotto Axis, utilizzare l'imballo originale o un imballo equivalente per evitare danni al prodotto.
- Evitare di esporre il prodotto Axis a vibrazioni, urti o pressioni eccessive e non installare la telecamera su staffe instabili, superfici o pareti instabili o vibranti, poiché in tal modo si potrebbe danneggiare il prodotto.
- Per l'installazione della telecamera utilizzare solo attrezzi manuali, l'utilizzo di utensili elettrici o l'applicazione di una forza eccessiva potrebbero danneggiare il prodotto.
- Non utilizzare sostanze chimiche, agenti caustici o detergenti aerosol. Utilizzare un panno umido per la pulizia.
- Utilizzare solo accessori e parti di ricambio forniti o consigliati da Axis.
- Non tentare di riparare da soli il prodotto, ma contattare Axis o il rivenditore Axis per qualsiasi argomento relativo all'assistenza tecnica.

### IMPORTANTE!

- Questo prodotto Axis deve essere utilizzato in conformità alle leggi e alle regolamentazioni locali.
- Conservare e trasportare il prodotto Axis in un ambiente asciutto e ventilato.

### Avviso di sicurezza – Sostituzione della batteria

Questo prodotto Axis utilizza una batteria al litio CR2032 da 3,0V come sorgente di alimentazione per l'orologio in tempo reale (RTC) interno. In condizioni normali, la batteria dura almeno 5 anni. Una scarsa potenza della batteria influisce sul funzionamento dell'RTC, causandone la reimpostazione a ogni accensione. Quando la batteria necessita di sostituzione, appare un messaggio di log. La batteria non deve essere sostituita se non è necessario!

Se è necessario sostituire la batteria, visitare la pagina web [www.axis.com/techsup](http://www.axis.com/techsup) per assistenza.

- La sostituzione non corretta della batteria comporta il pericolo di esplosioni
- Sostituire solo con una batteria uguale o equivalente, come consigliato dal produttore.
- Smaltire le batterie usate secondo le istruzioni del produttore.



# AXIS Q1755-E Guida all'installazione

Questo documento fornisce le istruzioni necessarie per installare la telecamera di rete AXIS Q1755-E nella rete in uso. Per ulteriori informazioni sull'utilizzo del prodotto, consultare la Guida per l'utente disponibile sul CD incluso nella confezione oppure visitare il sito web all'indirizzo [www.axis.com](http://www.axis.com).

## Procedura di installazione

1. Controllare il contenuto della confezione utilizzando l'elenco fornito di seguito.
2. Panoramica dell'hardware. Vedere a pagina 70.
3. Installazione dell'hardware. Vedere a pagina 72.
4. Assegnazione di un indirizzo IP. Vedere a pagina 76.
5. Impostazione della password. Vedere a pagina 79.



### Importante!

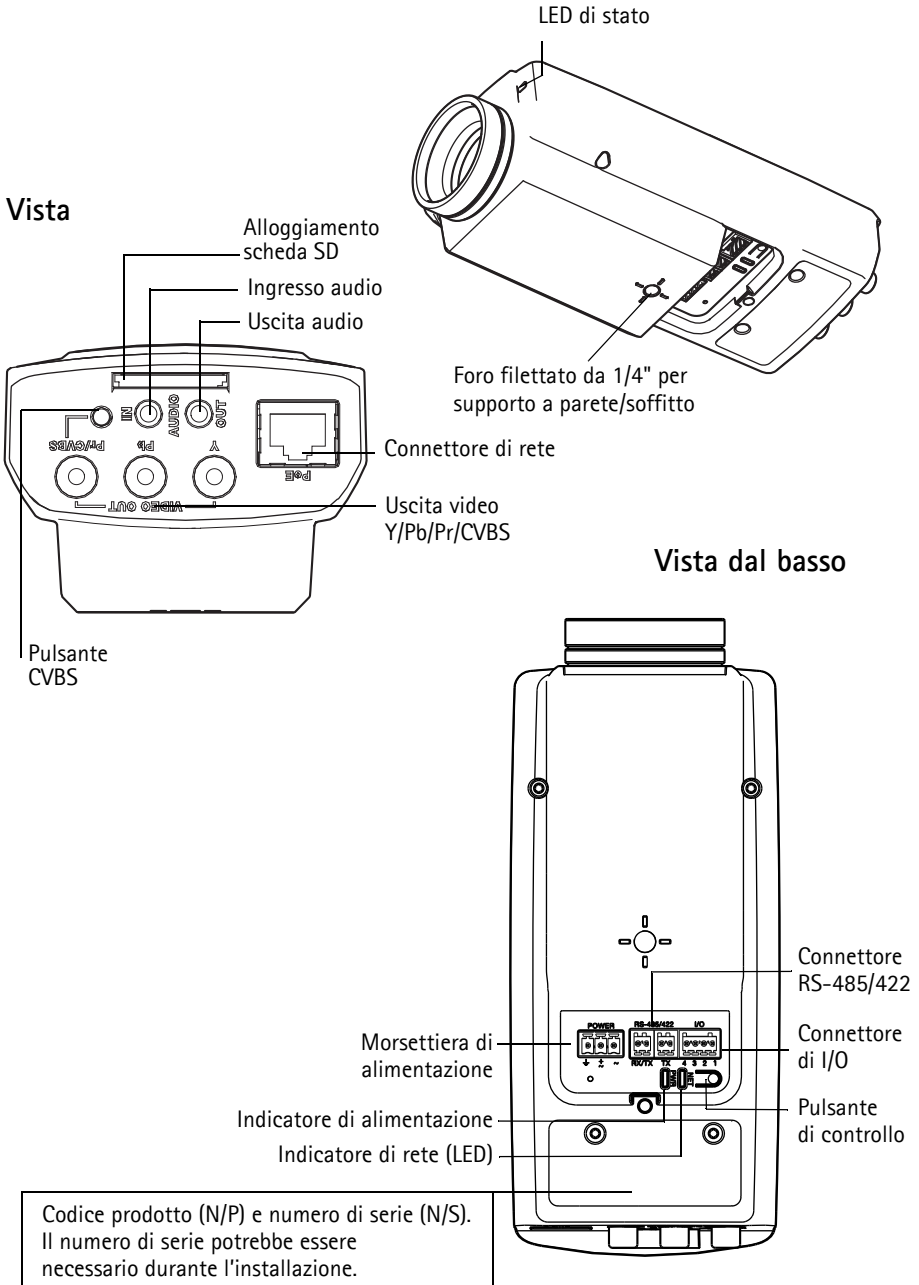
Il prodotto deve essere utilizzato in conformità alle leggi e alle regolamentazioni locali.

## 1 Contenuto della confezione

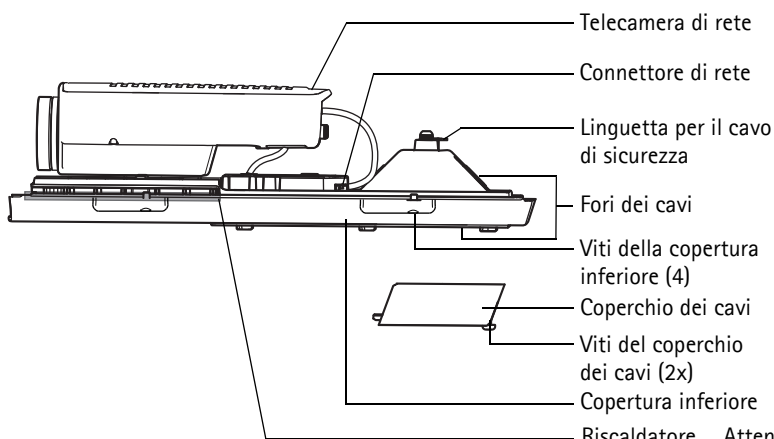
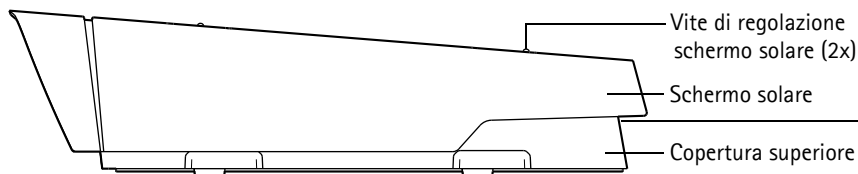
Elemento	Modelli/varianti/note
Telecamera di rete	AXIS Q1755-E 50 Hz/60 Hz
Morsettiera	Connettore a 2 pin per la connessione R-485/422
Staffa per il montaggio a parete	Staffa per il montaggio a muro con canalina interna per cavi
Utility	Cacciavite Torx T20 Chiave Allen
CD	CD di AXIS Network Video Product, comprensivo della documentazione del prodotto, utensili di installazione e altro software
Documentazione cartacea	Guida all'installazione della telecamera AXIS Q1755-E (questo documento) Certificato di garanzia Axis Etichetta aggiuntiva con numero di serie (2x)

Accessori opzionali	Visitare il sito web <a href="http://www.axis.com">www.axis.com</a> per informazioni sugli accessori disponibili
---------------------	--

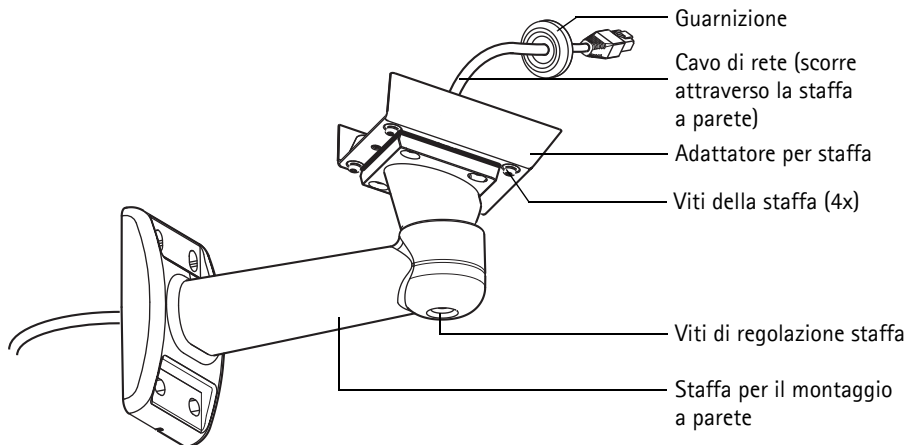
## 2 Panoramica dell'hardware



Codice prodotto (N/P) e numero di serie (N/S).  
Il numero di serie potrebbe essere  
necessario durante l'installazione.



Attenzione!  
può essere  
caldo





### 3 Installazione dell'hardware

#### Installare la staffa di montaggio a parete

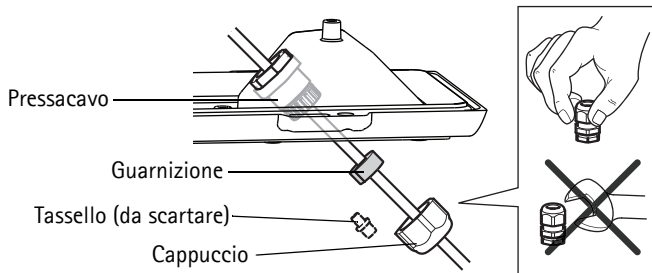
1. Utilizzare la maschera di foratura fornita per preparare una parete, un soffitto o un'asta per l'installazione della staffa a parete.
2. Inserire il cavo di rete attraverso la staffa a parete, la guarnizione di gomma dovrebbe essere sull'estremità dell'adattatore della staffa a parete, vedere l'illustrazione a pagina 71.
3. Installare la staffa a parete su una parete, un soffitto o un'asta e assicurarsi che le viti e i connettori siano appropriati per il materiale (ad esempio legno, metallo, cartongesso, pietra).

#### Note:

- Il peso della telecamera è di 3485 g (7,7 lb.) . Controllare che il materiale sia sufficientemente robusto per sostenere tale peso.
- Per ulteriori specifiche tecniche, consultare la Guida per l'utente disponibile sul CD incluso nella confezione oppure visitare il sito web all'indirizzo [www.axis.com](http://www.axis.com)

#### Inserire il cavo di rete nel pressacavo.

1. Allentare le viti della copertura del cavo e rimuovere la copertura del cavo dalla copertura inferiore.



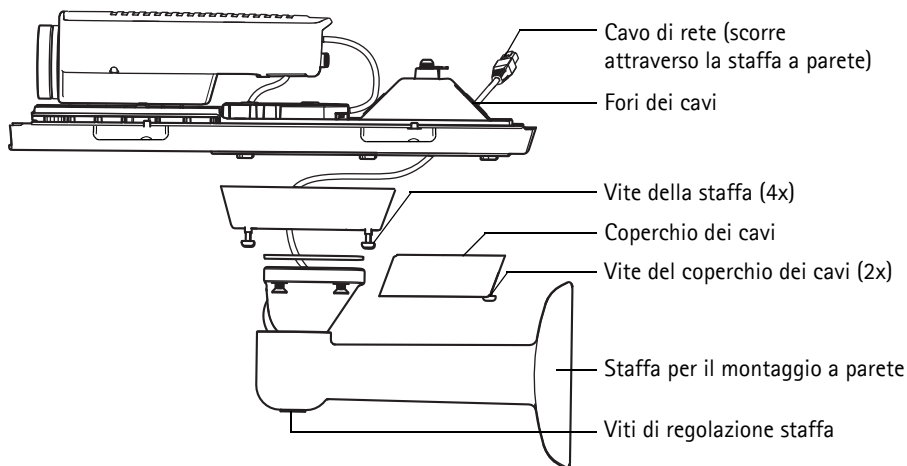
2. Rimuovere il cappuccio, la spina e la guarnizione dal pressacavo che deve essere utilizzato.
3. Passare il cavo di rete attraverso il cappuccio.
4. Far scorrere il cavo di rete attraverso la scanalatura sulla guarnizione per attaccare quest'ultima al cavo di rete. Vedere *Connettori*, a pagina 83 per informazioni sui requisiti dei cavi di rete.
5. Inserire il cavo di rete nel pressacavo.
6. Premere la guarnizione nel pressacavo e fissare saldamente il cappuccio.

#### Nota:

Utilizzare un pressacavo differente da quello fornito può provocare infiltrazioni di acqua e danni al prodotto. I cavi devono avere un diametro di 4,0 mm - 5,5 mm.

## Installare la telecamera sulla staffa

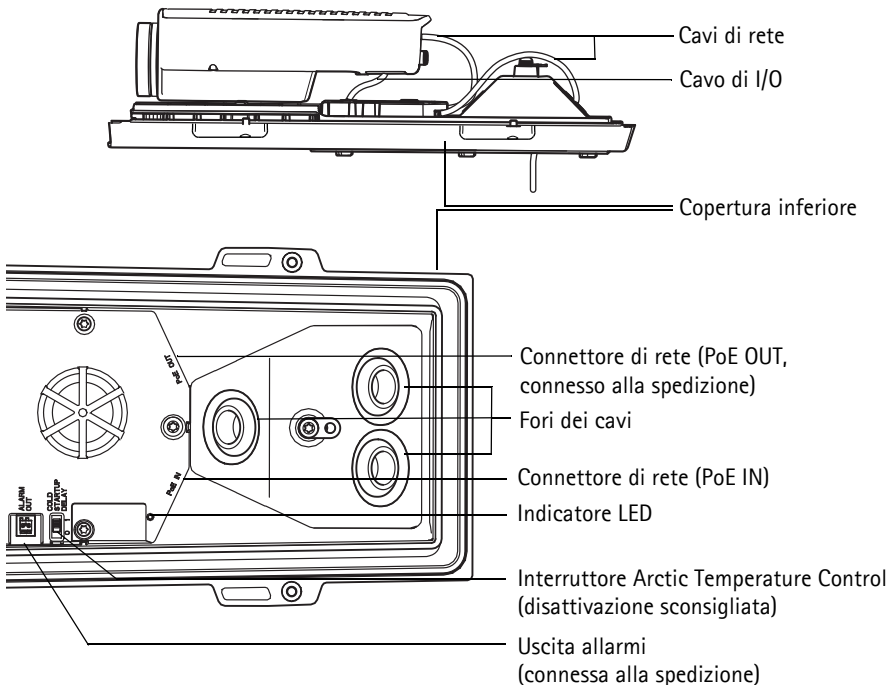
1. Installare la telecamera con la copertura inferiore sulla staffa, quindi serrare le viti della staffa.
2. Rimuovere la guarnizione da uno dei fori della copertura inferiore, vedere illustrazione a pagina 71.
3. Far passare il cavo attraverso il foro e applicare la guarnizione del cavo al foro.



4. Collegamento dei cavi. Vedere a *Collegamento dei cavi*, a pagina 74.
5. Prendere la copertura superiore e fissare il cavo di sicurezza alla linguetta sulla copertura inferiore, vedere l'illustrazione a pagina 71.
6. Montare la copertura superiore. Assicurarsi di serrare le viti del coperchio pochi giri per volta a coppie diagonalmente opposte, fino a che non sono tutte serrate. Questo aiuta a garantire che la guarnizione del coperchio inferiore sia compressa in modo uniforme. Non tentare di serrare subito completamente le viti.
7. Installare il coperchio dei cavi e serrare le viti del coperchio dei cavi.
8. Allentare le viti di regolazione dello schermo solare e regolare lo schermo solare in posizione anteriore.
9. Allentare la vite di regolazione della staffa per rivolgere la telecamera verso il punto desiderato. Vedere *Accesso al flusso video*, a pagina 80 per informazioni sulla visualizzazione del flusso video.

## Collegamento dei cavi

1. Inserire facoltativamente una scheda di memoria SD (non inclusa) nell'alloggiamento SDHC (Secure Digital High Capacity). Per memorizzare localmente le immagini riprese dalla telecamera, è necessaria una scheda SD con capacità standard o elevata.
2. Collegare facoltativamente le altre periferiche esterne di input/output. Per informazioni sui pin della morsettiera di alimentazione, vedere la pagina 83 Preparare i cavi con le guarnizioni, vedere *Preparazione del cavo di rete*, a pagina 72, e far passare i cavi attraverso i fori per i cavi nel coperchio inferiore, fino alla telecamera.
3. Collegare la telecamera alla rete mediante un cavo di rete schermato. Usare il connettore di rete (PoE IN) sulla copertura di fondo. Il cavo di rete e il cavo di I/O tra il coperchio inferiore e la telecamera sono già collegati quando la telecamera viene spedita.



4. Verificare che i LED indichino le condizioni di funzionamento corrette. Per ulteriori dettagli, vedere la tabella a pagina 86.

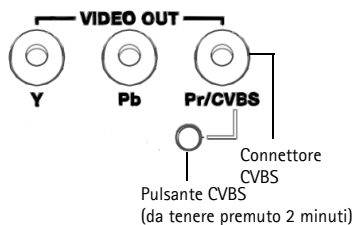
## Uscita video composito (opzionale)

Per semplificare e rendere più veloce l'installazione, nonché per visualizzare il segnale del video sul monitor video collegato, seguire le istruzioni riportate di seguito.

1. Seguire le istruzioni riportate nella sezione *Collegamento dei cavi*, a pagina 74.
2. Collegare il cavo video composito tra il monitor e il connettore dell'uscita video Pr/CVBS (rosso) sulla videocamera AXIS Q1755-E.
3. Premere e tenere premuto il pulsante CVBS per 5 secondi per attivare l'uscita video composito (modalità di installazione).

**Nota:** AXIS Q1755-E rimane in modalità di installazione per due (2) minuti, quindi passa automaticamente alla modalità video Component. Se si ha bisogno di più tempo, premere nuovamente il pulsante.

4. Montare la telecamera e controllare che il campo visivo sullo schermo sia corretto.
5. Scollegare il monitor video.



## Uscita video Component (opzionale)

Seguire le istruzioni riportate di seguito per visualizzare il segnale direttamente sul monitor video HDTV collegato.



1. Seguire le istruzioni riportate nella sezione *Collegamento dei cavi*, a pagina 74.
2. Collegare la videocamera AXIS Q1755-E direttamente al monitor HDTV collegando il cavo video Component tra i connettori di uscita video Y/Pb/Pr. Dopo aver collegato i cavi, passare alla sezione *Assegnazione di un indirizzo IP*, a pagina 76.

## 4 Assegnazione di un indirizzo IP

La maggior parte delle reti dispone di un server DHCP che assegna automaticamente gli indirizzi IP alle periferiche connesse. Se la rete non dispone di un server DHCP, per la telecamera AXIS Q1755-E viene utilizzato l'indirizzo IP predefinito 192.168.0.90.

Per assegnare un indirizzo IP statico, utilizzare **AXIS IP Utility** o **AXIS Camera Management** in ambiente Windows. In base al numero di videocamere da installare, utilizzare il metodo che meglio si adatta alle proprie esigenze.

Entrambe le applicazioni sono disponibili gratuitamente sul CD del prodotto oppure possono essere scaricate dal sito web all'indirizzo [www.axis.com/techsup](http://www.axis.com/techsup).

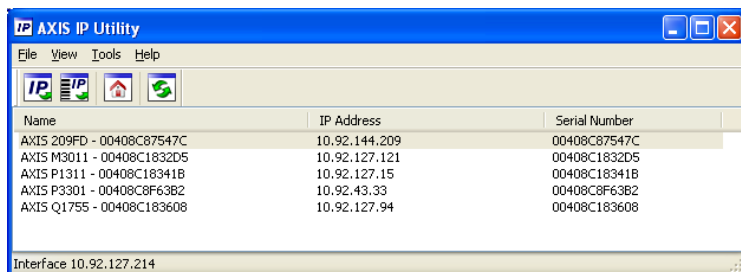
Metodo	Consigliato per	Sistema operativo
 AXIS IP Utility Vedere pagina 77	Telecamera singola Piccole installazioni	Windows
 AXIS Camera Management Vedere pagina 78	Più videocamere Grandi installazioni Installazione in una subnet diversa	Windows 2000 Windows XP Pro Windows 2003 Server Windows Vista

### Note:

- Se l'assegnazione dell'indirizzo IP non è riuscita correttamente, verificare che non siano presenti firewall che bloccano l'operazione.
- Per altri metodi di assegnazione o di rilevazione dell'indirizzo IP per la telecamera AXIS Q1755-E, ad esempio in altri sistemi operativi, vedere a pagina 81.

## AXIS IP Utility: telecamera singola/piccole installazioni

AXIS IP Utility rileva e visualizza automaticamente i dispositivi Axis collegati alla rete. L'applicazione può anche essere utilizzata per assegnare manualmente un indirizzo IP statico.




Si tenga presente che la telecamera di rete deve essere installata sullo stesso segmento di rete (subnet fisica) del computer sul quale è in esecuzione AXIS IP Utility.

### Rilevamento automatico

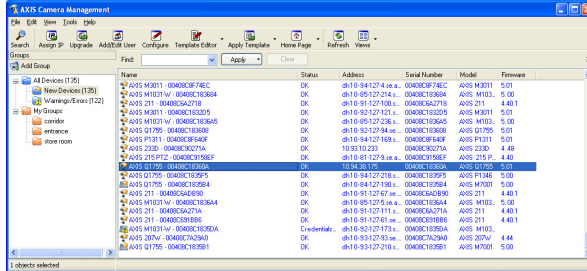
1. Verificare che la telecamera di rete sia collegata alla rete e alimentata correttamente.
2. Avviare AXIS IP Utility.
3. Quando la telecamera viene visualizzata nella finestra, selezionarla con un doppio clic per aprire la home page.
4. Vedere la pagina 79 per istruzioni su come assegnare la password.

### Assegnazione manuale dell'indirizzo IP (opzionale)

1. Acquisire un indirizzo IP non utilizzato sullo stesso segmento di rete del computer.
2. Selezionare la telecamera di rete dall'elenco.
3. Fare clic sul pulsante  Assign new IP address to the selected device (Assegna un nuovo indirizzo IP alla periferica selezionata) e immettere l'indirizzo IP.
4. Fare clic sul pulsante **Assign** (Assegna) e seguire le istruzioni visualizzate. Si tenga presente che la telecamera deve essere riavviata entro due minuti per impostare il nuovo indirizzo IP.
5. Fare clic sul pulsante **Home Page** (Pagina home) per accedere alle pagine web della telecamera.
6. Vedere la pagina 79 per le istruzioni sull'impostazione della password.

## AXIS Camera Management: più telecamere/grandi installazioni

È possibile utilizzare AXIS Camera Management per individuare automaticamente la presenza di più periferiche Axis, visualizzare lo stato di connessione, gestire gli aggiornamenti del firmware e assegnare gli indirizzi IP.

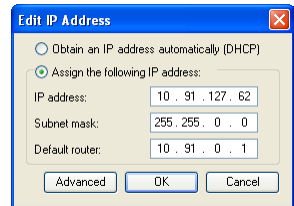


### Rilevamento automatico

1. Verificare che la telecamera sia collegata alla rete e alimentata correttamente.
2. Avviare AXIS Camera Management. Non appena la telecamera di rete viene visualizzata nella finestra, fare clic con il pulsante destro sul collegamento e selezionare **Live View Home Page** (Immagini dal vivo).
3. Vedere a pagina 79 le istruzioni per impostare la password.

### Assegnazione di un indirizzo IP a un singolo dispositivo

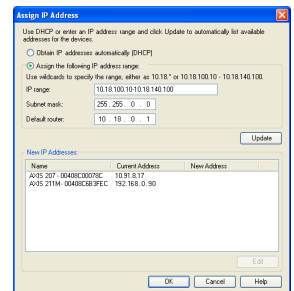
1. Selezionare la telecamera di rete in AXIS Camera Management e fare clic sul pulsante **Assign IP (Assegna IP)**
2. Selezionare **Assign the following IP address** (Assegna il seguente indirizzo IP) e immettere l'indirizzo IP, la subnet mask e il router predefinito utilizzati dalla periferica.
3. Fare clic sul pulsante **OK**.



### Assegnazione degli indirizzi IP a più telecamere

AXIS Camera Management facilita il processo di assegnazione degli indirizzi IP di più periferiche, suggerendo gli indirizzi IP in base a un intervallo specifico.

1. Selezionare le periferiche da configurare (è possibile selezionare più modelli) e fare clic sul pulsante **Assign IP (Assegna IP)**
2. Selezionare **Assign the following IP address range** (Assegna il seguente intervallo di indirizzi IP) e immettere l'intervallo di indirizzi IP, la subnet mask e il router predefinito utilizzati dalla periferica.
3. Fare clic sul pulsante **OK**.



## 5 Impostazione della password

Per ottenere l'accesso al prodotto, è necessario impostare la password dell'utente amministratore predefinito **root**. Questa operazione può essere effettuata nella finestra di dialogo **'Configure Root Password'** (Configura password root), che viene visualizzata quando si accede alla telecamera di rete per la prima volta.

Per evitare l'interruzione della connessione di rete durante l'impostazione della password root, è possibile eseguire questa operazione tramite la connessione crittografata HTTPS, che richiede un certificato HTTPS.

**Nota:** HTTPS (Hypertext Transfer Protocol over SSL) è un protocollo utilizzato per crittografare il traffico tra il browser e il server web. Il certificato HTTPS controlla lo scambio crittografato di informazioni.

Per impostare la password tramite una connessione HTTP standard, inserirla direttamente nella prima finestra di dialogo mostrata di seguito.

Per impostare la password tramite una connessione HTTPS crittografata, attenersi alla seguente procedura.

1. Fare clic sul pulsante **Create self-signed certificate** (Crea certificato autofirmato).
2. Fornire le informazioni richieste e fare clic su **OK**. Il certificato viene creato e la password può essere ora impostata in modo sicuro. Da questo momento in poi tutto il traffico verso e dalla telecamera di rete viene cifrato.
3. Immettere una password e reimmetterla per confermarla. Fare clic su **OK**. La password è stata ora configurata.

Per creare una connessione HTTPS, iniziare facendo clic su questo

Per configurare la password direttamente tramite una connessione non crittografata,

4. Per eseguire l'accesso, inserire il nome utente "root" nella finestra di dialogo appena il programma lo richiede

**Nota:** Non è possibile eliminare il nome utente predefinito dell'amministratore.



5. Immettere la password impostata in precedenza e fare clic su OK.

**Nota:** Se si dimentica la password, sarà necessario ripristinare le impostazioni predefinite della telecamera. Vedere a pagina 87.

## Accesso al flusso video

Viene visualizzata la pagina Live View (Immagini dal vivo) della telecamera di rete con i collegamenti agli strumenti di configurazione che consentono di personalizzare la telecamera.

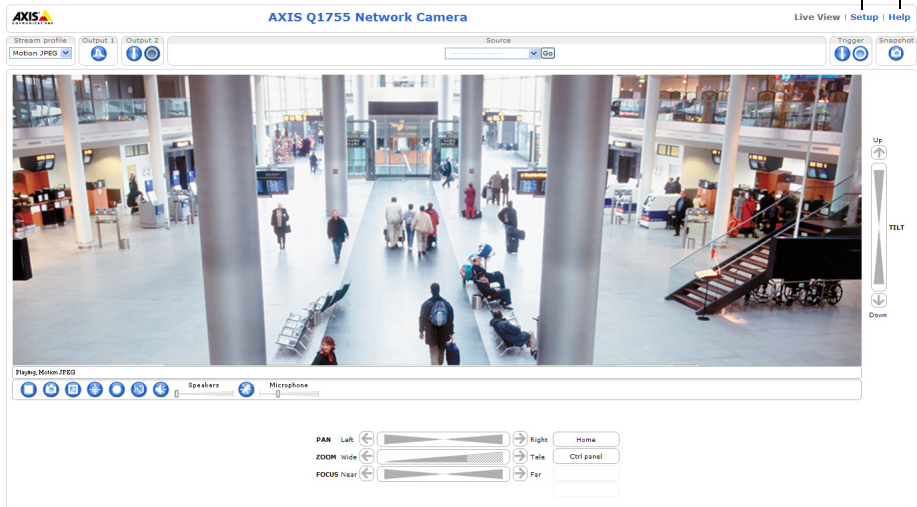
Se necessario, fare clic su **Yes (Sì)** per installare AMC (Axis Media Control) che consente di visualizzare il flusso video in Microsoft Internet Explorer. A questo scopo è necessario disporre dei privilegi di amministratore.

Se necessario, fare clic sul collegamento per installare i decodificatori mancanti.

**Nota:** Per installare AMC in Windows Vista e Windows 7, è necessario eseguire Internet Explorer come amministratore. Fare clic con il pulsante destro del mouse sull'icona di Internet Explorer e selezionare Run as administrator (Esegui come amministratore).

**Setup (Configurazione):**  
fornisce tutti gli strumenti necessari per configurare la telecamera.

**Help (Guida):** visualizza la Guida in linea relativa alla modalità di utilizzo della telecamera.



## Altri metodi di assegnazione dell'indirizzo IP

La seguente tabella descrive gli altri metodi disponibili per assegnare o individuare l'indirizzo IP. Per impostazione predefinita, tutti i metodi sono disponibili e possono essere disabilitati.

	Utilizzo nel sistema operativo	Note
UPnP™	Windows	Se abilitata sul computer, la telecamera viene rilevata automaticamente e aggiunta a "Risorse di rete".
Bonjour	MAC OSX (versione 10.4 o successive)	Si applica ai browser con supporto Bonjour. Selezionare il segnalibro Bonjour nel browser (ad esempio Safari) e fare clic sul collegamento per accedere alle pagine web della telecamera.
AXIS Dynamic DNS Service	Tutti i sistemi operativi	Servizio gratuito fornito da Axis che consente di installare la telecamera in modo facile e veloce. È necessaria una connessione a Internet senza proxy http. Per ulteriori informazioni, visitare il sito web all'indirizzo <a href="http://www.axiscam.net">www.axiscam.net</a> .
ARP/Ping	Tutti i sistemi operativi	Vedere le sezioni che seguono. È necessario eseguire il comando entro 2 minuti dal -collegamento dell'alimentazione alla videocamera.
Server DHCP	Tutti i sistemi operativi	Per visualizzare le pagine di amministrazione del server DHCP di rete, vedere la documentazione specifica del server.

## Assegnazione dell'indirizzo IP con ARP/Ping

1. Acquisire un indirizzo IP sullo stesso segmento di rete cui è connesso il computer in uso.
2. Individuare il numero di serie indicato sull'etichetta della telecamera.
3. Aprire una finestra MS-DOS sul computer e digitare i seguenti comandi:

Sintassi di Windows:	Esempio di Windows:
arp -s <Indirizzo IP> <Numero di serie> ping -l 408 -t <Indirizzo IP>	arp -s 192.168.0.125 00-40-8c-18-10-00 ping -l 408 -t 192.168.0.125
Sintassi di UNIX/Linux/Mac:	Esempio di UNIX/Linux/Mac:
arp -s <Indirizzo IP> <Numero di serie> temp ping -s 408 <Indirizzo IP>	arp -s 192.168.0.125 00:40:8c:18:10:00 temp ping -s 408 192.168.0.125

4. Verificare che il cavo di rete sia collegato alla telecamera, quindi avviare/riavviare la telecamera, scollegando e ricollegando l'alimentazione.
5. Chiudere la finestra MS-DOS appena viene visualizzato il messaggio "Reply from 192.168.0.125:" (Risposta da 192.168.0.125) o altro messaggio simile.
6. Nel browser immettere http://<indirizzo IP> nel campo dell'indirizzo e premere Invio sulla tastiera.

### Note:

- Per aprire una finestra MS-DOS in Windows: dal menu Start, scegliere Esegui... e digitare cmd. Fare clic su OK.
- Per utilizzare il comando ARP in un sistema operativo Mac OS X, usare l'utility Terminal, in Applicazioni > Utilità.

## Connettori

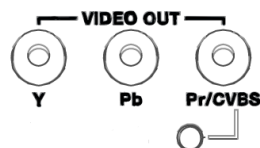
**Rete** – Connettore Ethernet RJ-45. Supporto per PoE (Power over Ethernet, classe 3): Si consiglia l'uso di cavi schermati.

**Ingresso audio** – Ingresso da 3.5mm per microfono in mono o segnale mono line-in (il canale sinistro è usato da un segnale in stereo).

**Uscita audio** – Uscita audio da 3,5 mm che può essere connessa a un sistema di indirizzo pubblico (PA), oppure a un altoparlante con amplificatore integrato. Si possono collegare anche un paio di cuffie. Per l'uscita audio è necessario usare un connettore stereo.

**Uscita video** – Connettori RCA per uscite video Component o composite

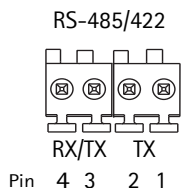
- Uscita video Component per video HDTV, utilizzabile ad esempio per le telecamere installate agli ingressi e collegate a un monitor HDTV
- Video composito (CVBS) – Semplifica l'installazione quando si utilizza un monitor video



**RS-485/422** – Due morsettiere da 2 pin per l'interfaccia seriale RS-485/422, utilizzate per il controllo di periferiche ausiliarie come le telecamere PTZ.

La porta seriale RS-485/422 può essere configurata su una delle seguenti modalità porta:

- Porta bidirezionale RS-485 half-duplex per la trasmissione di dati con due cavi e una coppia RX/TX combinata.
- Porta bidirezionale RS-485 half-duplex per la trasmissione di dati con quattro cavi, una coppia RX e una coppia TX.
- Porta unidirezionale RS-422 per la trasmissione e la ricezione di dati con due cavi e una coppia RX o TX.
- Porta bidirezionale RS-422 half-duplex per la trasmissione di dati (point-to-point) con quattro cavi, una coppia RX e una coppia TX.

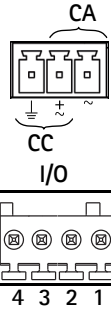


Funzione	Pin	Note
RS 485/422TX(A)	1	Coppia TX per RS-422 e RS-485 con quattro cavi
RS 485/422TX(B)	2	
RS-485A alt RS-485/422RX(A)	3	Coppia RX per tutte le modalità (RX/TX combinata per RS-485 con due cavi)
RS-485B alt RS-485/422RX(B)	4	

**Slot per scheda di memoria SDHC** – Scheda di memoria SD ad alta capacità per la registrazione in modalità locale e come unità di memorizzazione rimovibile.

**Alimentazione** – Morsettiera a 3 pin da 8-20 V CC o 20-24 V CA

**! ATTENZIONE!** - Il collegamento non corretto dei fili può danneggiare la telecamera.



**Morsettiera I/O** – Usato per applicazioni specifiche, come Motion Detection, l'attivazione di eventi, la registrazione temporizzata e le notifiche di allarme. Oltre all'alimentazione ausiliaria e al pin GND, la videocamera AXIS Q1755-E dispone di 2 pin che possono essere configurati come ingressi o uscite. Questi pin forniscono l'interfaccia per:

- Uscita transistor: utilizzabile per collegare periferiche esterne come relè e LED. Le periferiche collegate possono essere attivate tramite AXIS VAPIX API, i pulsanti di comando della pagina **Live View** (Immagini dal vivo) oppure tramite l'opzione **Event Type** (Tipo di evento). L'uscita verrà visualizzata come attiva (visualizzata in **Event Configuration > Port Status**) (Configurazione evento > Stato porta) se il dispositivo di allarme è attivato.
- Ingresso digitale: ingresso allarme utilizzabile per collegare le periferiche, che può passare dal circuito chiuso al circuito aperto, ad esempio: sensori di movimento (PIR), contatti porta/finestra, rilevatori di rottura vetri e così via. Dopo la ricezione del segnale lo stato cambia e l'ingresso diventa attivo (visualizzato in **Event Configuration (Configurazione evento) > Port Status (Stato porta)**).

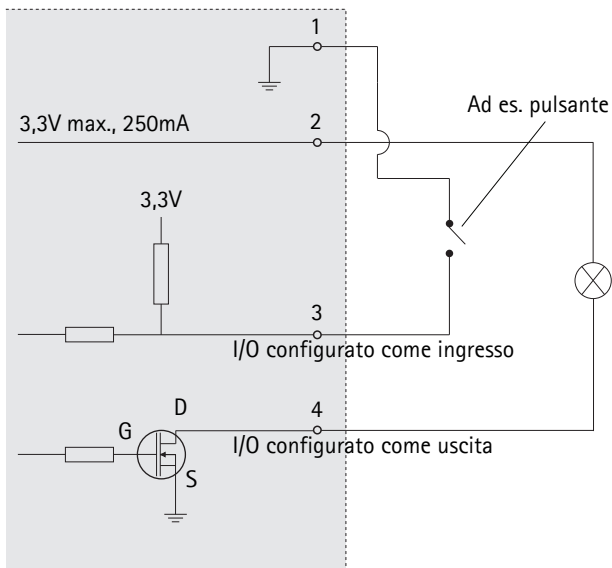
**Nota:**

Il connettore di I/O su AXIS Q1755-E è connesso all'elettronica dell'alloggiamento alla spedizione e attiva una porta di ingresso evento per indicare un errore della ventola o del riscaldatore all'attivazione. Per ulteriori informazioni sul modo per impostare un evento, consultare la Guida per l'utente, disponibile sul CD o all'indirizzo [www.axis.com](http://www.axis.com).

Funzione	Pin	Note	Dati tecnici
GND	1	Terra	
Alimentazione a 3,3 V CC	2	Il pin può essere utilizzato anche per alimentare una periferica ausiliaria. <b>Nota:</b> questo pin può essere usato <u>soltanto</u> come uscita alimentazione.	Carico massimo = 250 mA
Configurabile (ingresso o uscita)	3 - 4	Ingresso digitale: collegare a terra (GND) per attivarlo oppure lasciarlo isolato (o scollegato) per disattivarlo. <b>Nota:</b> Connesso all'elettronica dell'alloggiamento alla spedizione.	Ingresso min. = - 40 V CC Ingresso max. = + 40 V CC
		Uscita digitale: utilizza un transistor NFET open-drain con connessione della fonte a terra. Se si utilizza un relè esterno, è necessario collegare un diodo in parallelo al carico per proteggere la periferica da sovratensioni transitorie.	Carico massimo = 100 mA Tensione massima = + 40 V CC

## Schema delle connessioni

Il seguente schema dei collegamenti mostra come collegare una periferica ausiliaria alla telecamera.



## Indicatori LED

LED	Colore	Indicazione
Rete	Verde	Luce fissa: connessione di rete a 100 Mbit/s. Luce lampeggiante: attività di rete.
	Giallo	Luce fissa: connessione di rete a 10 Mbit/s. Luce lampeggiante: attività di rete.
	Spento	Assenza di connessione.
Stato	Verde	Luce verde fissa: condizioni di normale utilizzo. Nota: è possibile configurare il LED di stato in modo che rimanga spento in condizioni di normale utilizzo oppure in modo da ottenere una luce intermittente quando si effettua l'accesso alla telecamera. Per configurarlo, selezionare <b>Setup (Configurazione) &gt; System Options (Opzioni di sistema) &gt; LED</b> . Per ulteriori informazioni, consultare la Guida in linea.
	Giallo	Luce fissa: durante l'avvio o il ripristino delle impostazioni predefinite o della configurazione.
	Rosso	Luce lampeggiante lenta: aggiornamento non riuscito.
Alimentazione	Verde	Normale utilizzo.
	Giallo	Luce lampeggiante verde/gialla: aggiornamento firmware.

### LED di stato nell'elettronica dell'alloggiamento (ventola/riscaldatore)

LED	Colore	Indicazione
Alimentazione	Verde	OK
	Verde lampeggiante	Lampo singolo: Errore riscaldatore Lampo doppio: Errore ventola Lampo triplo: Errore generale Nota: Gli eventi di allarme vengono attivati attraverso la porta di input della telecamera. Consultare la Guida per l'utente, disponibile sul CD fornito o all'indirizzo <a href="http://www.axis.com">www.axis.com</a> Contattare il rivenditore Axis per informazioni sulle parti di ricambio e per la risoluzione dei problemi.

## Ripristino delle impostazioni predefinite

Questa procedura consente di ripristinare le impostazioni predefinite per tutti i parametri, incluso l'indirizzo IP.

1. Scollegare l'alimentazione dalla telecamera.
2. Tenere premuto il pulsante Control e ricollegare il cavo di alimentazione.
3. Tenere premuto il pulsante di comando fino a quando l'indicatore di stato non inizia a lampeggiare in giallo (l'operazione può richiedere fino a 15 secondi).
4. Rilasciare il pulsante di comando. Quando l'indicatore di stato diventa verde (l'operazione può richiedere fino a 1 minuto) la procedura è completata e sono state ripristinate le impostazioni predefinite per la telecamera.
5. Riassegnare l'indirizzo IP utilizzando uno dei metodi descritti in questo documento.

È possibile inoltre reimpostare i parametri alle impostazioni predefinite in fabbrica mediante l'interfaccia web. Per ulteriori informazioni, consultare la Guida in linea o la Guida per l'utente.

## Accesso alla telecamera da Internet

Dopo l'installazione, la telecamera di rete è accessibile dalla rete locale (LAN). Per accedere alla telecamera da Internet, è necessario configurare i router di rete per consentire il traffico in entrata, che di norma avviene su una porta specifica.

- Porta HTTP (porta predefinita 80) per la visualizzazione e la configurazione
- Porta RTSP (porta predefinita 554) per la visualizzazione di flussi video in formato H.264

Per ulteriori istruzioni, consultare la documentazione del router. Per maggiori informazioni su questo e altri argomenti, visitare il sito web per il supporto Axis all'indirizzo [www.axis.com/techsup](http://www.axis.com/techsup)

## Ulteriori informazioni

La Guida per l'utente è disponibile sul sito web di Axis all'indirizzo [www.axis.com](http://www.axis.com) oppure sul CD fornito con il prodotto.

### Suggerimento

Visitare il sito di Axis all'indirizzo [www.axis.com/techsup](http://www.axis.com/techsup) per verificare se sono stati pubblicati aggiornamenti del firmware per la telecamera AXIS Q1755-E. Per conoscere la versione installata del firmware, vedere **Setup > About** (Configurazione > Informazioni su).





## Medidas preventivas y advertencias

Lea atentamente la Guía de instalación antes de instalar el producto. Guarde la Guía de instalación para futuras consultas.

### ¡PRECAUCIÓN!

- A la hora de transportar el producto Axis, utilice el embalaje original o uno equivalente para no dañar el producto.
- Evite exponer el producto Axis a vibraciones, golpes o presiones excesivas y no lo instale en soportes inestables, o en superficies o paredes inestables o con vibraciones, ya que esto podría dañar el producto.
- Utilice solo herramientas manuales a la hora de instalar la cámara, ya que el empleo de herramientas eléctricas o de una fuerza excesiva podría dañar el producto.
- No utilice productos químicos, agentes cáusticos ni limpiadores en aerosol. Utilice un paño húmedo para limpiarlo.
- Utilice únicamente accesorios y repuestos suministrados o recomendados por Axis.
- No intente reparar el producto por sí mismo, póngase en contacto con Axis o con el distribuidor de Axis para todo lo referente al servicio técnico.

### ¡IMPORTANTE:

- Este producto Axis debe utilizarse de conformidad con la legislación y normativas locales.
- Guarde y transporte el producto Axis en un entorno seco y ventilado.

### Aviso de seguridad: sustitución de la batería

Este producto Axis utiliza una batería de litio CR2032 de 3,0 V como fuente de alimentación para su reloj de tiempo real interno (RTC). En condiciones normales esta batería durará un mínimo de 5 años. El funcionamiento del RTC puede verse afectado cuando la batería tiene poca carga. En tal caso la configuración se restaura cada vez que se encienda la cámara. Aparecerá un mensaje cuando sea necesario sustituir la batería. No debe sustituirse la batería a menos que sea necesario.

Si necesita sustituir la batería, visite la página [www.axis.com/techsup](http://www.axis.com/techsup) para recibir asistencia.

- Peligro de explosión si la batería se sustituye de forma incorrecta.
- Utilice solo baterías de recambio iguales o equivalentes, de acuerdo con las recomendaciones del fabricante.
- Deseche las baterías usadas según las instrucciones del fabricante.



# AXIS Q1755-E Guía de instalación

En esta guía de instalación se proporcionan instrucciones para instalar la AXIS Q1755-E cámara de red. Para obtener información sobre cualquier cuestión relacionada con el uso del producto, consulte el Manual del usuario, disponible en el CD que se incluye en este paquete, o la página web [www.axis.com](http://www.axis.com).

## Pasos para la instalación

1. Verifique el contenido del paquete con la lista que aparece más abajo.
2. Presentación del hardware. Consulte la página 92.
3. Instalación del hardware. Consulte la página 94.
4. Asignación de una dirección IP. Consulte la página 98.
5. Configuración de la contraseña. Consulte la página 101.

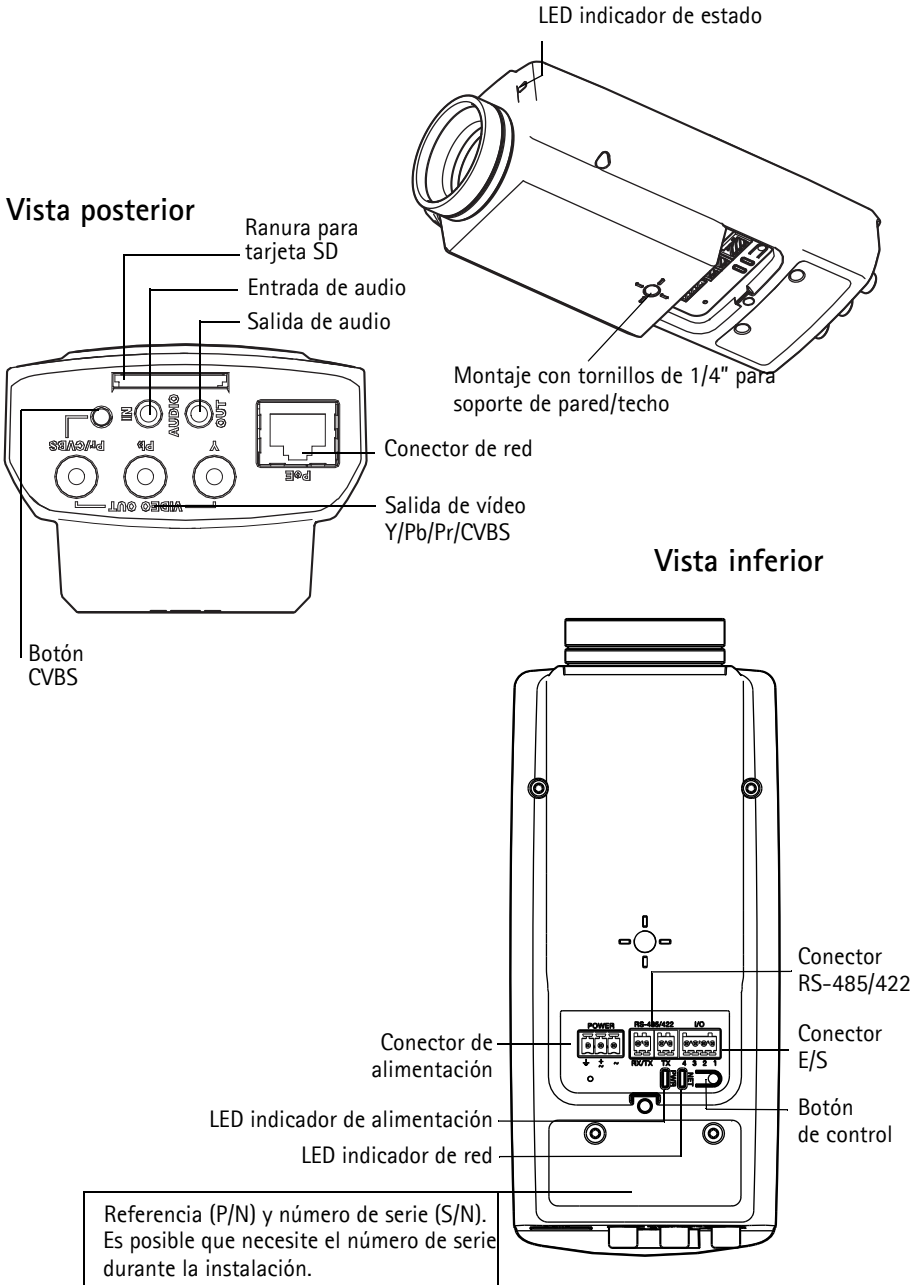


**Importante:**  
este producto debe utilizarse de acuerdo con la legislación y normativas locales.

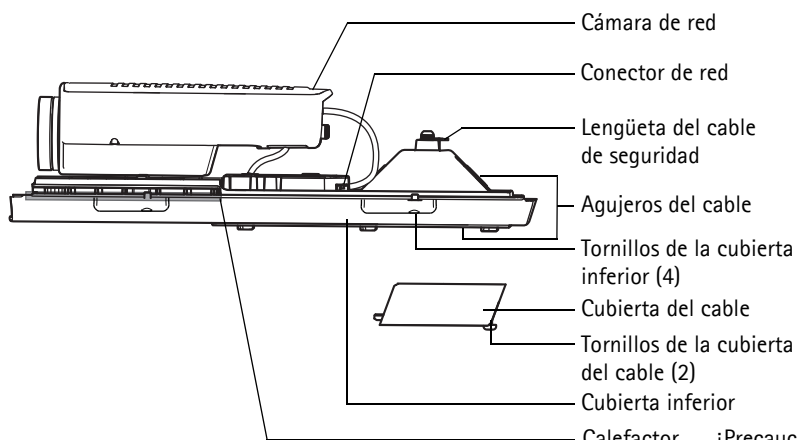
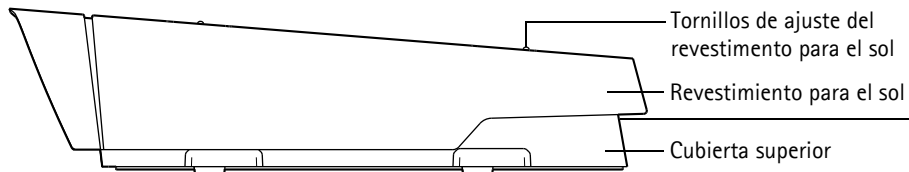
## 1 Contenido del paquete

Artículo	Modelos/variantes/notas
Cámara de red	AXIS Q1755-E 50Hz/60Hz
Conector del bloque de terminales	Conector de 2 pines para la conexión RS-485/422
Escuadra de pared	Escuadra de pared con canal de cable interno
Herramientas	Destornillador Torx T20 Llave Allen
CD	CD de los productos de vídeo en red de AXIS, incluida la documentación del producto, herramientas de instalación y otro software
Material impreso	Guía de instalación AXIS Q1755-E (este documento) Documento de garantía de Axis Etiquetas adicionales con el número de serie (2)
Accesorios opcionales	Visite <a href="http://www.axis.com">www.axis.com</a> para obtener información sobre los accesorios disponibles

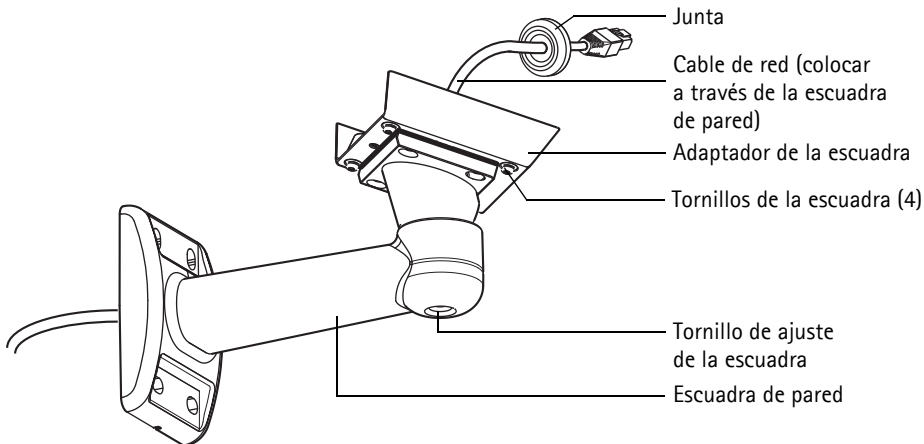
## 2 Presentación del hardware



Referencia (P/N) y número de serie (S/N).  
Es posible que necesite el número de serie durante la instalación.



¡Precaución!  
puede estar caliente



### 3 Instalación del hardware

#### Instalación de la escuadra de pared

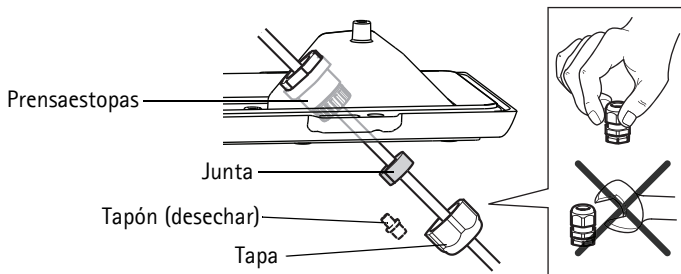
1. Utilice la plantilla de taladrado que se facilita para preparar una pared, el techo o un poste donde instalar la escuadra de pared.
2. Pase el cable de red por la escuadra de pared, de forma que la junta de goma quede en el extremo del adaptador de la escuadra de la escuadra de pared, como se ve en la ilustración en la página 93.
3. Instale la escuadra de pared en una pared, en el techo o en un poste y asegúrese de que los tornillos y conectores sean apropiados para el material (p. ej., madera, metal, tablero de yeso, piedra).

#### Notas:

- El peso de la cámara es de 3485 g (7,7 lb). Asegúrese de que el material puede aguantar este peso.
- Para obtener más información sobre especificaciones técnicas, consulte el Manual del usuario, disponible en el CD que se incluye en este paquete, o la página web [www.axis.com](http://www.axis.com)

#### Paso del cable de red por el orificio para el cable

1. Afloje los tornillos de la cubierta del cable y sepárela de la cubierta inferior.



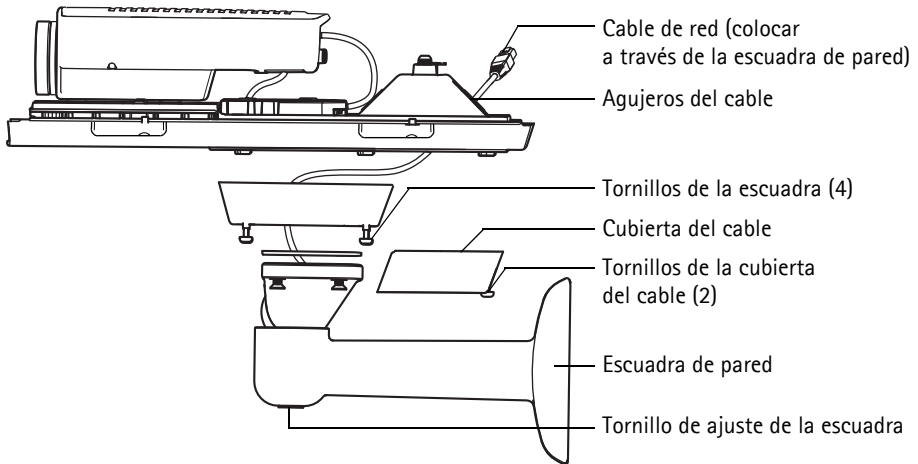
2. Retire la tapa, el tapón y la junta del prensaestopas que se va a utilizar.
3. Pase el cable de red por la tapa.
4. Deslice el cable de red a través de la ranura de la junta para fijar la junta al cable de red. Consulte *Conectores de la unidad*, en la página 105 para obtener más información sobre los requisitos del cable de red.
5. Pase el cable de red por el prensaestopas.
6. Presione la junta sobre el prensaestopas y atornille la tapa fuertemente.

#### Nota:

El uso de cualquier otro prensaestopas puede provocar que se filtre agua, lo que dañaría el producto. Los cables deben tener un diámetro de 4,0 mm - 5,5 mm.

## Instalación de la cámara en la escuadra

1. Instale la cámara con la cubierta inferior apoyada en la escuadra y apriete los tornillos de ésta.
2. Retire la junta de uno de los orificios de la cubierta inferior, como se ve en la ilustración en la página 93.
3. Pase el cable por el agujero y conecte la junta del cable en este.

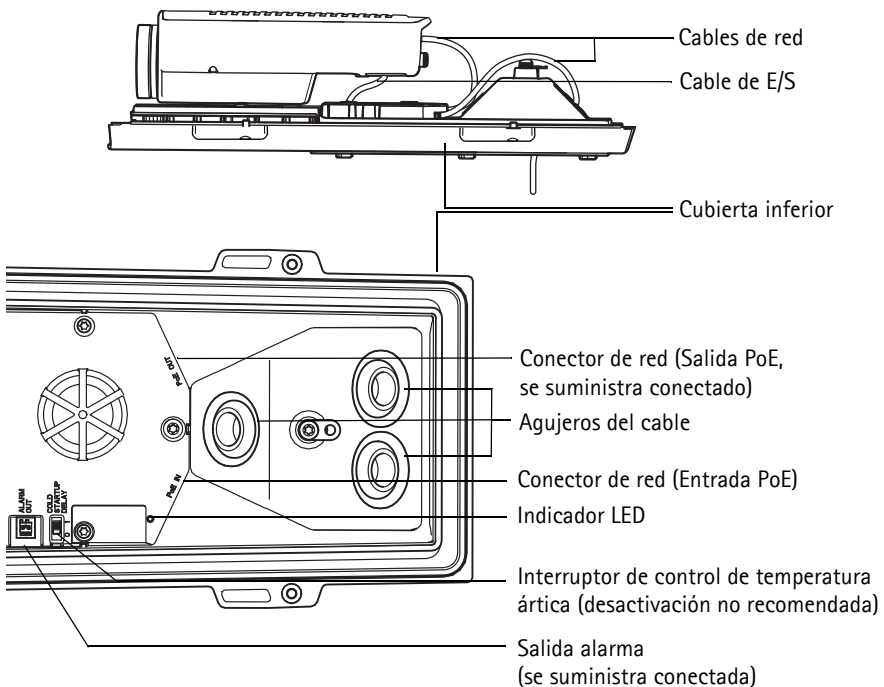


4. Para conectar los cables consulte *Conexión de los cables*, en la página 96.
5. Coja la cubierta superior y conecte el cable de seguridad a la lengüeta de la cubierta inferior, consulte ilustración en la página 93.
6. Instale la cubierta superior. Asegúrese de ajustar los tornillos diagonalmente opuestos de la cubierta inferior dando unas pocas vueltas cada vez hasta que estén apretados. Esto contribuye a garantizar que la junta de la cubierta inferior esté comprimida de manera uniforme. No intente apretar los tornillos por completo la primera vez.
7. Instale la cubierta del cable y apriete los tornillos.
8. Afloje los tornillos de ajuste de la pantalla para el sol y coloque el revestimiento para el sol en posición frontal.
9. Afloje el tornillo de ajuste de la escuadra para dirigir la cámara al punto de interés. Consulte *Acceso a la transmisión de vídeo*, en la página 102 para obtener información sobre cómo visualizar la transmisión de vídeo.



## Conexión de los cables

1. También existe la opción de insertar una tarjeta de memoria SD (no incluida) en la ranura para tarjeta SDHC (Secure Digital High Capacity). Es necesaria una tarjeta SD estándar o de gran capacidad para guardar las imágenes localmente en la cámara.
2. También existe la opción de conectar dispositivos de entrada/salida externos. Para obtener más información sobre los contactos de los conectores de terminales, consulte la página 105. Prepare los cables con juntas, consulte la *Preparación del cable de red*, en la página 94, y extienda los cables a través de los orificios para cable hacia la cubierta inferior y hacia la cámara.
3. Conecte la cámara a la red con un cable de red blindado. Use el conector de red (Entrada PoE) situado en la parte inferior. El cable de red y el cable de E/S entre la cubierta inferior y la cámara se suministran ya conectados.

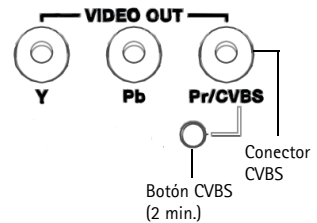


4. Compruebe que los indicadores LED indican las condiciones adecuadas. Para obtener información más detallada, consulte la tabla de la página 108.

## Salida de vídeo compuesto (opcional)

Para realizar una instalación rápida y sencilla, siga estas instrucciones para visualizar la señal de vídeo en un monitor de vídeo conectado.

1. Siga las instrucciones siguientes en: *Conexión de los cables*, en la página 96.
2. Con un cable de vídeo compuesto, conecte un monitor de vídeo al conector de salida de vídeo Pr/CVBS (rojo) en la AXIS Q1755-E.
3. Mantenga pulsado el botón CVBS durante 5 segundos para cambiar a la salida de vídeo compuesto (modo de instalación).  
**Nota:** AXIS Q1755-E permanecerá en el modo de instalación durante dos (2) minutos y, a continuación, automáticamente se convertirá a vídeo por componentes. Si se necesita más tiempo, vuelva a pulsar el botón.
4. Coloque la cámara y compruebe que el área prevista se visualiza en la pantalla.
5. Desconecte el monitor de vídeo.



## Salida de vídeo por componentes (opcional)

Siga estas instrucciones para visualizar la señal de vídeo directamente en un monitor de vídeo HDTV.



1. Siga las instrucciones siguientes en: *Conexión de los cables*, en la página 96.
2. Conecte AXIS Q1755-E directamente a un monitor HDTV mediante un cable de vídeo por componentes conectado a los conectores de salida de vídeo Y/Pb/Pr. Cuando haya conectado los cables, continúe con *Asignación de la dirección IP*, en la página 98.

## 4 Asignación de la dirección IP

Actualmente, la mayoría de redes disponen de un servidor DHCP que asigna direcciones IP de forma automática a los dispositivos conectados. Si su red no dispone de un servidor DHCP, AXIS Q1755-E utilizará 192.168.0.90 como dirección IP predeterminada.

Si desea asignar una dirección IP estática, el método recomendado en Windows es **AXIS IP Utility** o **AXIS Camera Management**. En función del número de cámaras que desee instalar, deberá utilizar el método que se adapte mejor a sus necesidades.

Ambas aplicaciones son gratuitas y están disponibles en el CD del producto de vídeo en red de Axis suministrado con este producto o pueden descargarse de [www.axis.com/techsup](http://www.axis.com/techsup).

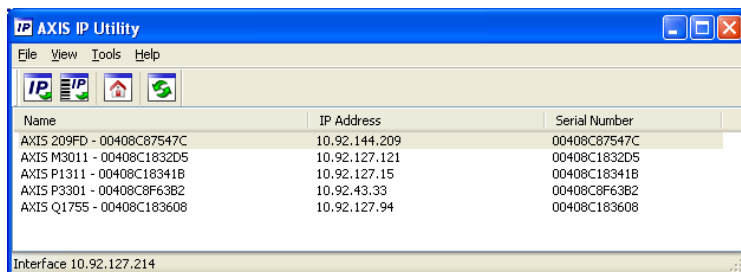
Método	Recomendado para	Sistema operativo
 AXIS IP Utility Consulte la página 99	Cámara individual Instalaciones pequeñas	Windows
 AXIS Camera Management Consulte la página 100	Varias cámaras Instalaciones grandes Instalación en una subred diferente	Windows 2000 Windows XP Pro Windows 2003 Server Windows Vista

### Notas:

- Si no puede asignar la dirección IP, compruebe que no haya ningún cortafuegos que bloquee la operación.
- Para consultar otros métodos para asignar o detectar la dirección IP de AXIS Q1755-E, p. ej., en otros sistemas operativos, consulte la página 103.

## AXIS IP Utility: Para cámaras individuales o instalaciones pequeñas

AXIS IP Utility detecta y muestra automáticamente los dispositivos Axis que existen en la red. Además, esta aplicación puede utilizarse para asignar manualmente una dirección IP estática.




Recuerde que el equipo que ejecute AXIS IP Utility debe instalarse en el mismo segmento de red (subred física) que la cámara de red.

### Detección automática

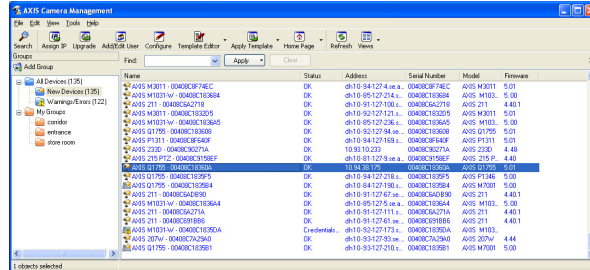
1. Compruebe que la cámara de red está conectada a la red y que recibe alimentación.
2. Inicie AXIS IP Utility.
3. Cuando la cámara aparezca en la ventana, haga doble clic en ella para abrir su página de inicio.
4. Consulte la página 101 para obtener instrucciones sobre cómo asignar la contraseña.

### Asignación manual de la dirección IP (opcional)

1. Obtenga una dirección IP que no esté en uso y que se encuentre en el mismo segmento de red que su equipo.
2. Seleccione la cámara de red en la lista.
3. Haga clic en el botón  Assign new IP address to the selected device (Asignar nueva dirección IP al dispositivo seleccionado) e introduzca la dirección IP.
4. Haga clic en el botón **Assign** (Asignar) y siga las instrucciones que aparecen en la pantalla. Recuerde que debe reiniciar la cámara en menos de 2 minutos para que se configure la nueva dirección IP.
5. Haga clic en el botón **Home Page** (Página de inicio) para acceder a las páginas web de la cámara.
6. Consulte la página 101 para obtener instrucciones sobre cómo configurar la contraseña.

## AXIS Camera Management: Para varias cámaras e instalaciones grandes

AXIS Camera Management puede detectar automáticamente varios dispositivos Axis, mostrar el estado de la conexión, administrar las actualizaciones del firmware y configurar direcciones IP.

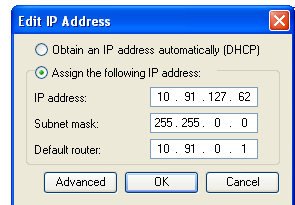


### Detección automática

1. Compruebe que la cámara está conectada a la red y que recibe alimentación.
2. Inicie AXIS Camera Management. Cuando la cámara de red aparezca en la ventana, haga clic con el botón derecho en el enlace y seleccione **Live View Home Page** (Página de inicio de Live View).
3. Consulte la página 101 para obtener instrucciones sobre cómo configurar la contraseña.

### Asignación de una dirección IP en un dispositivo individual

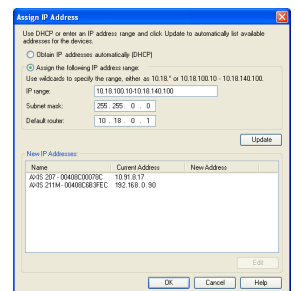
1. Seleccione cámara de red en AXIS Camera Management y haga clic en el botón **Assign IP** (Asignar IP).
2. Seleccione **Assign the following IP address** (Asignar la siguiente dirección IP) e introduzca la dirección IP, la máscara de subred y el router predeterminado que utilizará el dispositivo.
3. Haga clic en el botón **OK** (Aceptar).



### Asignación de direcciones IP en varios dispositivos

AXIS Camera Management acelera el proceso de asignación de direcciones IP en varios dispositivos indicando direcciones IP disponibles dentro de un rango especificado.

1. Seleccione los dispositivos que desea configurar (se pueden seleccionar varios modelos) y haga clic en el botón **Assign IP** (Asignar IP).
2. Seleccione **Assign the following IP address range** (Asignar el siguiente rango de direcciones IP) e introduzca las direcciones IP, la máscara de subred y el router predeterminado que utilizará el dispositivo.
3. Haga clic en el botón **OK** (Aceptar).



## 5 Configuración de la contraseña

Para poder acceder al producto, hay que configurar la contraseña del usuario predeterminado para el administrador **root**. Aparecerá el cuadro de diálogo "Configure Root Password" (Configurar contraseña de root) cuando se acceda a la cámara de red por primera vez.

Para evitar la intercepción de la contraseña de root cuando se configura, este proceso se puede realizar a través de una conexión HTTPS cifrada, que precisa un certificado HTTPS.

**Nota:** HTTPS (Hypertext Transfer Protocol over SSL) es un protocolo que se utiliza para cifrar el tráfico entre los servidores y los navegadores web. El certificado HTTPS controla el intercambio cifrado de información.

Para configurar la contraseña a través de una conexión HTTP estándar, escribala directamente en el primer cuadro de diálogo que se muestra a continuación.

Para configurar la contraseña a través de una conexión HTTPS cifrada, siga estos pasos:

1. Haga clic en el botón **Create self-signed certificate** (Crear un certificado de autofirma).
2. Proporcione la información que se le solicita y haga clic en **OK** (Aceptar). Se creará el certificado y se podrá configurar la contraseña con seguridad. Todo el tráfico hacia y desde la cámara de red se cifrará a partir de este punto.
3. A continuación, escriba una contraseña y vuelva a escribirla para confirmarla. Haga clic en **OK** (Aceptar). La contraseña ya se ha configurado.

Para crear una conexión HTTPS, empiece haciendo clic en este botón.

Para configurar directamente la contraseña a través de una conexión sin cifrar, escriba aquí la contraseña.

4. Para iniciar sesión, escriba el nombre de usuario "root" en el cuadro de diálogo.  
**Nota:** el nombre de usuario predeterminado para el administrador root no se puede eliminar.
5. Escriba la contraseña que introdujo anteriormente y haga clic en **OK** (Aceptar).  
**Nota:** Si ha perdido u olvidado la contraseña, la cámara debe restablecerse a los valores iniciales. Consulte la página 109.

## Acceso a la transmisión de vídeo

La página Live View de la cámara de red aparece con enlaces a las herramientas de configuración que le permiten personalizar la cámara.

En caso necesario, haga clic en **Yes (Sí)** para instalar el AMC (AXIS Media Control), y así permitir la visualización de la transmisión de vídeo en Internet Explorer. Para ello, debe tener derechos de administrador en el equipo.

Si es necesario, haga clic en el enlace para instalar los decodificadores que falten.

**Nota:** Para instalar AMC en Windows Vista y Windows 7, debe ejecutar Internet Explorer como administrador. Haga clic con el botón derecho en el icono de Internet Explorer y seleccione Run as administrator (Ejecutar como administrador).

**Setup (Configuración):** proporciona todas las herramientas necesarias para configurar la cámara según sus necesidades.

**Help (Ayuda):** presenta ayuda en línea sobre todos los aspectos del uso de la cámara.

The screenshot displays the web interface for an AXIS Q1755 Network Camera. At the top, the browser title is 'AXIS Q1755 Network Camera'. The interface includes a navigation bar with 'Live View', 'Setup', and 'Help' links. Below this, there are controls for 'Stream profile' (set to Motion JPEG), 'Output 1', 'Output 2', and a 'Source' dropdown menu. A 'Triggers' section is also visible. The main area is a large video window showing a live feed of a busy indoor public space. To the right of the video is a vertical 'TLT' (Tilt) slider with 'Up' and 'Down' arrows. Below the video, there are 'Speaker' and 'Microphone' icons. At the bottom, there are controls for 'PAN' (Left/Right), 'ZOOM' (Wide/Tel), and 'FOCUS' (Near/Far), along with 'Home' and 'Ctrl panel' buttons. The bottom left corner of the interface shows the email address 'Company@company.com'.

## Otros métodos para configurar la dirección IP

En esta tabla se presentan otros métodos disponibles para configurar o detectar la dirección IP. Todos los métodos están habilitados de forma predeterminada y es posible deshabilitarlos.

	Uso en sistema operativo	Notas
UPnP™	Windows	La cámara se detecta y añade a "Mis sitios de red" automáticamente, siempre que esta opción esté habilitada en el equipo.
Bonjour	MAC OSX (10.4 o posterior)	Aplicable a exploradores compatibles con Bonjour. Navegue hasta el favorito Bonjour del explorador (p. ej., Safari) y haga clic en el vínculo para acceder a las páginas web de la cámara.
Servicio de DNS dinámico de AXIS	Todos	Servicio gratuito suministrado por Axis que permite instalar la cámara de forma rápida y sencilla. Es necesario disponer de conexión a Internet sin proxy HTTP. Para obtener más información, consulte <a href="http://www.axiscam.net">www.axiscam.net</a> .
ARP/Ping	Todos	Consulte la información siguiente. El comando debe emitirse en los dos minutos posteriores al en-cendido de la cámara.
Servidor DHCP	Todos	Para acceder a las páginas de administración, del servidor DHCP en red, consulte la documentación del servidor.



## Configuración de la dirección IP con ARP/Ping

1. Adquiera una dirección IP en el mismo segmento de red en el que está conectado su equipo.
2. Localice el número de serie (S/N) en la etiqueta de producto de la cámara.
3. Abra una línea de comando en su equipo y escriba los comandos siguientes:

Sintaxis en Windows:	Ejemplo en Windows:
arp -s <Dirección IP> <Número de serie> ping -l 408 -t <Dirección IP>	arp -s 192.168.0.125 00-40-8c-18-10-00 ping -l 408 -t 192.168.0.125
Sintaxis en UNIX/Linux/Mac:	Ejemplo en UNIX/Linux/Mac:
arp -s <Dirección IP> <Número de serie> temp ping -s 408 <Dirección IP>	arp -s 192.168.0.125 00:40:8c:18:10:00 temp ping -s 408 192.168.0.125

4. Compruebe que el cable de red está conectado a la cámara y desconecte y vuelva a conectar la corriente para iniciarla o reiniciarla.
5. Cierre la línea de comando cuando vea "Reply from 192.168.0.125:" (Respuesta de 192.168.0.125:) o similar.
6. En el explorador, escriba http://<dirección IP> en el campo Ubicación/Dirección y pulse Intro en el teclado.

### Notas:

- Para abrir una línea de comando en Windows: desde el menú Start (Inicio), seleccione Run... (Ejecutar)... y escriba cmd. Haga clic en OK (Aceptar).
- Para utilizar el comando ARP en un sistema operativo Mac OS X, utilice la herramienta Terminal, que se encuentra en **Application (Aplicaciones) > Utilities (Utilidades)**.

## Conectores de la unidad

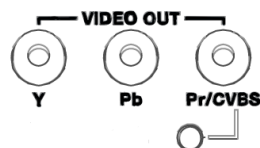
**De red** – Conector Ethernet RJ-45. Admite PoE (alimentación a través de Ethernet, clase 3). Se recomienda emplear cables blindados.

**Entrada de audio** – Conector de 3,5 mm para micrófono mono, o entrada de línea de señal mono (se usa el canal izquierdo de una señal estéreo).

**Salida de audio** – Salida para audio de 3,5 mm (nivel de línea) que puede conectarse a un sistema de megafonía pública o a un altavoz con amplificador incorporado. También se pueden conectar unos auriculares. Debe utilizarse un conector estéreo para la salida de audio.

**Salida de vídeo** – Conectores RCA para salida de vídeo por componentes o compuesto.

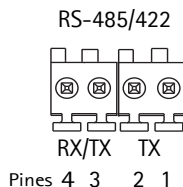
- Salida de vídeo por componentes para vídeo HDTV, como por ejemplo, una cámara de entrada conectada a una pantalla HDTV
- Vídeo compuesto (CVBS) – para una instalación fácil con un monitor de vídeo



**RS-485/422** – dos bloques de terminales de 2 pines para la interfaz serie RS-485/422 utilizada para controlar equipos auxiliares, como por ejemplo, dispositivos PTZ.

El puerto serie RS-485/422 se puede configurar en los modos de puerto siguientes:

- Puerto semidúplex RS-485 bidireccional para transmisión de datos mediante dos hilos, un par RX/TX combinado.
- Puerto full-dúplex RS-485 bidireccional para transmisión de datos mediante cuatro hilos, un par RX y un par TX.
- Puerto RS-422 unidireccional para transmisión o recepción de datos mediante dos hilos, par RX o TX.
- Puerto dúplex RS-422 bidireccional para transmisión de datos (punto a punto) mediante cuatro hilos, un par RX y un par TX.

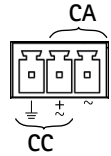


Función	Pines	Notas
RS 485/422TX(A)	1	Par TX para RS-422 y RS-485 de 4 hilos
RS 485/422TX(B)	2	
RS-485A alt RS-485/422RX(A)	3	Par RX para todos los modos (RX/TX combinado para RS-485 de 2 hilos)
RS-485B alt RS-485/422RX(B)	4	

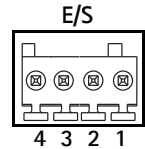
**Ranura para tarjeta de memoria SDHC** – Tarjeta de memoria SD de gran capacidad utilizada para la grabación local y el almacenamiento extraíble.

Alimentación – Bloque de terminales de 3 pines 8-20 VCC o 20-24 VCA

¡PRECAUCIÓN! - Una conexión incorrecta de los cables podría dañar la cámara.



**Conector del terminal de E/S** – Se utiliza en aplicaciones tales como detección de movimiento, activación de eventos, grabación a intervalos y notificaciones de alarmas. Además de un pin de alimentación auxiliar y un pin de toma de tierra, la AXIS Q1755-E tiene 2 pines que pueden configurarse como entrada o salida. Estos pines proporcionan la interfaz para:



- Salida de transistor: para conectar dispositivos externos como relés y LED. Se pueden activar dispositivos conectados mediante AXIS VAPIX API, los b-tones de salida de la página **Live View** o mediante un **Event Type** (Tipo de evento). La salida se mostrará activa (**Event Configuration [Configuración de eventos] > Port Status [Estado del puerto]**) si el dispositivo de alarma está activado.
- Entrada digital: una entrada de alarma para conectar dispositivos que puedan alternar entre circuito cerrado y abierto, como por ejemplo PIR, contactos de puertas y ventanas, detectores de rotura de cristales, etc. Cuando se recibe una señal, el estado cambia y la entrada se vuelve activa (indicado en **Event Configuration [Configuración de eventos] > Port Status [Estado del puerto]**).

**Nota:**

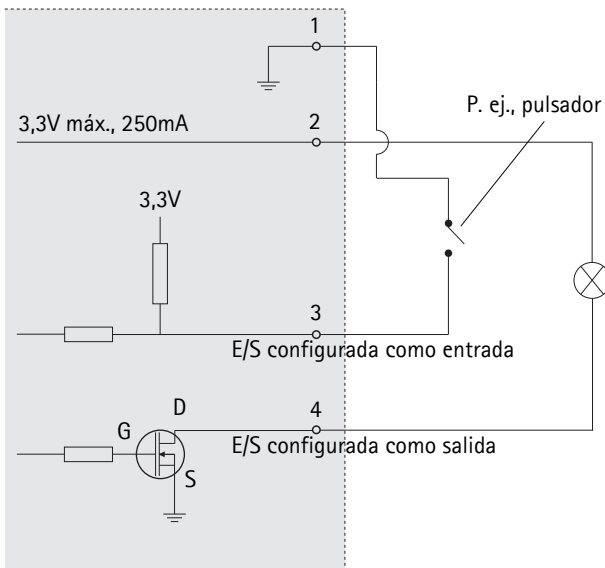
El conector de E/S de AXIS Q1755-E se suministra conectado a los componentes electrónicos de la carcasa y pondrá en marcha un evento en el puerto de entrada para indicar un error en el ventilador o en el calefactor al activarse. Para obtener más información sobre el modo de configurar un evento, consulte el Manual del usuario, disponible en el CD suministrado con este producto o en [www.axis.com](http://www.axis.com).

Función	Pin	Notas	Especificaciones
Toma de tierra	1	Toma de tierra	
Alimentación de 3,3 V CC	2	Se puede utilizar para alimentar equipos auxiliares. <b>Nota:</b> Este pin <u>sólo</u> se puede usar como salida de alimentación.	Carga máx. = 250 mA

Función	Pin	Notas	Especificaciones
Configurable (entrada o salida)	3 - 4	Entrada digital: conecte a GND (toma de tierra) para activarla o déjela suelta (o desconectada) para desactivarla. <b>Nota:</b> se suministra conectada a los componentes electrónicos de la carcasa.	Entrada mín. = - 40 V CC Entrada máx. = + 40 V CC
		Salida digital: utilice un transistor NFET de drenaje abierto con la fuente conectada al pin de toma de tierra (GND). Si se utiliza con un relé externo, debe conectarse un diodo en paralelo a la carga como protección ante oscilaciones de tensión.	Carga máx. = 100mA Voltaje máx. = + 40 V CC

### Diagrama de conexiones

El diagrama de conexiones siguiente ofrece un ejemplo de cómo conectar un dispositivo auxiliar a la cámara de red



## Indicadores LED

LED	Color	Indicación
De red	Verde	Fijo para indicar la conexión a una red de 100 Mbits/s. Parpadea para indicar actividad en la red.
	Ámbar	Fijo para indicar conexión a una red de 10 Mbit/s. Parpadea para indicar actividad en la red.
	Apagado	Desconexión de la red.
De estado	Verde	Verde fijo para indicar funcionamiento normal. Nota: puede configurarse el LED de estado para que esté apagado durante el funcionamiento normal o para que parpadee únicamente cuando se accede a la cámara. Para configurarlo, vaya a <b>Setup (Configuración) &gt; System Options (Opciones del sistema) &gt; LED</b> . Para más información, consulte los archivos de ayuda en línea.
	Ámbar	Fijo durante el inicio o durante el restablecimiento de los valores o la configuración iniciales.
	Rojo	Parpadeo lento si no se puede realizar una actualización.
Alimentación	Verde	Funcionamiento normal.
	Ámbar	Parpadea en verde/ámbar durante la actualización del firmware.

### LED de estado en los componentes electrónicos de la carcasa (ventilador/calefactor)

LED	Color	Indicación
Alimentación	Verde	Funcionamiento normal
	Verde parpadeante	Parpadeo único: error del calefactor Doble parpadeo: error del ventilador Triple parpadeo: error general Nota: los eventos de alarma se activarán a través del puerto de entrada de la cámara. Para obtener información sobre piezas de recambio y resolución de problemas, consulte el Manual del usuario disponible en el CD suministrado con este producto, <a href="http://www.axis.com">www.axis.com</a> o contacte con su distribuidor Axis.

## Restablecimiento de los valores iniciales

Esta operación restaurará todos los parámetros, incluida la dirección IP, a los valores iniciales:

1. Desconecte la alimentación de la cámara.
2. Mantenga pulsado el botón de Control y vuelva a conectar la alimentación.
3. Mantenga pulsado el botón de Control hasta que el indicador de estado emita una luz ámbar (puede tardar hasta 15 segundos en encenderse).
4. Suelte el botón de Control. Cuando el indicador de estado emita una luz verde (lo que puede tardar hasta 1 minuto), habrá finalizado el proceso y se habrán restablecido los valores iniciales de la cámara.
5. Vuelva a asignar la dirección IP utilizando uno de los métodos descritos en este documento.

También es posible restablecer los parámetros en la configuración predeterminada original mediante la interfaz web. Para obtener más información, consulte la ayuda en línea o el manual del usuario.

## Acceso a la cámara desde Internet

Una vez instalada, podrá acceder a la cámara de red desde su red local (LAN). Para acceder a la cámara desde Internet, deben configurarse los routers para que permitan el tráfico entrante, que habitualmente se realiza en un puerto específico.

- Puerto HTTP (puerto 80 predeterminado) para visualización y configuración
- Puerto RTSP (puerto 554 predeterminado) para visualización de transmisiones de vídeo H.264

Consulte la documentación de su router para obtener más instrucciones. Para obtener más información sobre éste y otros temas, visite la página web de soporte de Axis en [www.axis.com/techsup](http://www.axis.com/techsup).

## Más información

El manual del usuario está disponible en el sitio web de Axis, [www.axis.com](http://www.axis.com), o en el CD de productos de vídeo en red de Axis suministrado con este producto.

### Un consejo:

Visite [www.axis.com/techsup](http://www.axis.com/techsup) para comprobar si hay disponible firmware actualizado para la cámara AXIS Q1755-E. Para ver la versión de firmware que tiene instalada actualmente, consulte la sección **Setup (Configuración) > About (Acerca de)**.







Installation Guide

AXIS Q1755-E

© Axis Communications AB, 2010-2013

Ver.1.3

Printed: April 2014

Part No. 57193