



AXIS PS12  
Outdoor Power Supply  
Installation Guide



## Connect the AXIS PS12 Outdoor Power Supply

This guide provides instructions for connecting and preparing the AXIS PS12 Outdoor Power Supply for use. This product is designed for use with Axis products which have a power-in terminal connector. The AXIS 225FD is one example.



### Important!

- Read through the instructions before starting the installation.
- All electrical connections and adjustments should be made by an authorized electrician.
- Please observe relevant national and local regulations for the installation.

### Extend the length of the secondary side cable

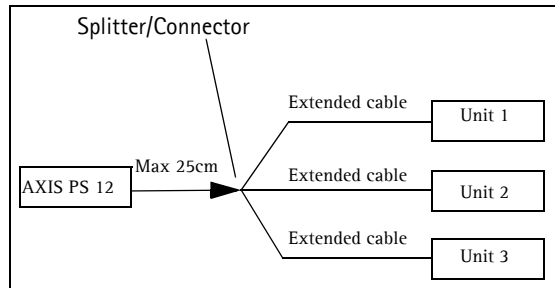
The power supply is delivered with a 5-meter cable on both the primary and secondary sides, (see the illustration). The primary cable must be fitted with the appropriate country-specific plug.

Cables may be shortened or lengthened to fit the application. If the secondary cable needs to be more than 5 meters (the original cable length) or if more than one product is to be connected, follow these recommended instructions:

Cut the secondary cable to a maximum length of 25cm. This length will minimize the voltage drop in the shared part of the cable.

Split the secondary cable and connect it to the cable(s) that will run to your unit(s) - one cable for each connected product.

- Use an appropriate splitter/connector (not included).
- You may need to substitute the power cable which was supplied with your Axis product with a new cable of minimum 18AWG (not included).
- Place the splitter device in a protective, weather-tight conduit.



### Important!

- The total maximum current consumption for all connected products must not exceed the PS12 maximum output current limit (4.5A).
- Use cables and conduits suitable for the installation and that are in compliance with the IP67 rating.
- Note that if your installation is to be vandal resistant, you will also need to make sure all cable conduits are vandal resistant.

## Calculate the maximum extended cable length

Use the formula below to calculate the maximum extended cable length ( $L_{max}$  in meters) for each connected device. The formula uses the cable resistance of 18AWG (same cable dimension as the secondary cable). It is recommended that you use this cable dimension or thicker.

$$L_{max} = (13 - U_{min}) / (I_{max} \times 0.045)$$

$U_{min}$  is the minimum specified input voltage to the product

$I_{max}$  is the maximum input current to the product

$P_{max}$  is the maximum power to the product

$$I_{max} = P_{max} / U_{min}$$

- Notes:**
- The 18 AWG Cable resistance is approximately 0.045 ohms per meter.
  - You may need to substitute the power cable which was supplied with your Axis product with a new cable of minimum 18AWG (not included). Only do this if the camera you are attaching has a power-in terminal connector.

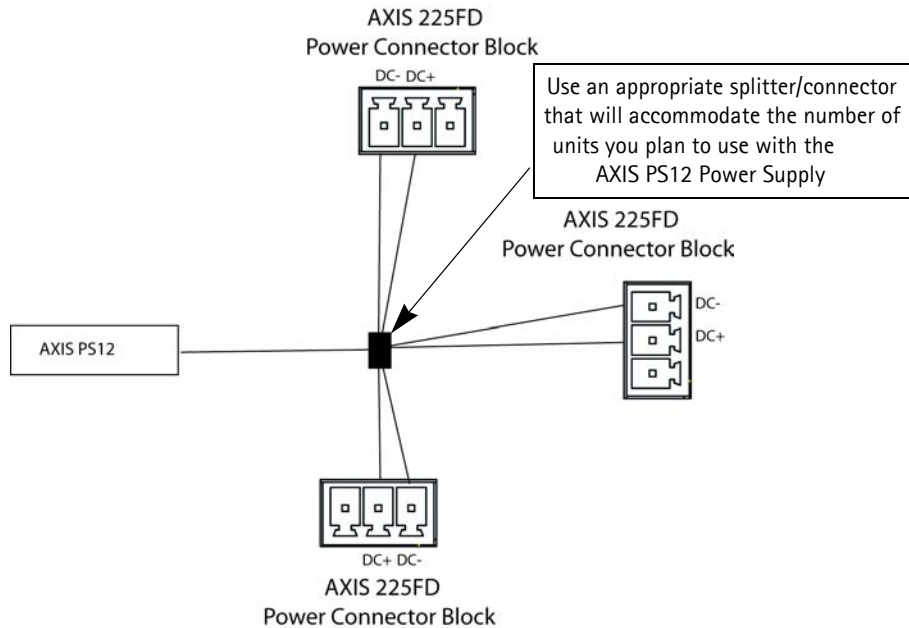
## Connect to the AXIS 225FD when using the Built-in Heater

To prepare the AXIS PS12 Outdoor Power Supply in conjunction with the AXIS 225FD when you are using the built-in heater, please follow these instructions. A maximum of three AXIS 225FD cameras can be connected to the PS12. The AXIS 225FD power consumption with active heaters is 16.5W at 12VDC.

1. Cut the PS12 secondary cable to a maximum length of 25cm.
2. Connect one extended cable for each connected AXIS 225FD, see *Calculate the maximum extended cable length*. Be sure to use cable dimension 18AWG or thicker.

AXIS 225FD	Maximum length ( $L_{max}$ )
version xxxx-xxx-02	30m
version xxxx-xxx-01	20m

## AXIS PS12 Outdoor Power Supply



### Caution!

All electrical connections and adjustments should be made by an authorized electrician.

## Power Connector Specifications

Name	Type	Specification
U <sub>in</sub>	Input Voltage	100-240VAC 50/60Hz
U <sub>out</sub>	Output Voltage	13VDC (no load)
I <sub>out</sub>	Output Current	*Max 4.5A
Temperature	Ambient	-30° to +70 °C
IP class	Class	IP67
Secondary cable	On power supply	18AWG

\*With no extended cable, which gives approximately 12VDC at 4.5A out

## More information

For information on the setup and configuration of your Axis camera, please refer to the installation guide and User's Manual for your Axis product, available from the Axis Web site at <http://www.axis.com> or from the Axis Network Video Product CD.



