

INSTALLATION GUIDE



AXIS M1145 Series

AXIS M1145 Network Camera

AXIS M1145-L Network Camera

ENGLISH

FRANÇAIS

DEUTSCH

ITALIANO

ESPAÑOL

日本語

中文

Installation Guide

Legal Considerations

Video surveillance can be regulated by laws that vary from country to country. Check the laws in your local region before using this product for surveillance purposes.

This product includes one (1) H.264 decoder license. To purchase further licenses, contact your reseller.

Liability

Every care has been taken in the preparation of this document. Please inform your local Axis office of any inaccuracies or omissions. Axis Communications AB cannot be held responsible for any technical or typographical errors and reserves the right to make changes to the product and manuals without prior notice. Axis Communications AB makes no warranty of any kind with regard to the material contained within this document, including, but not limited to, the implied warranties of merchantability and fitness for a particular purpose. Axis Communications AB shall not be liable nor responsible for incidental or consequential damages in connection with the furnishing, performance or use of this material. This product is only to be used for its intended purpose.

Intellectual Property Rights

Axis AB has intellectual property rights relating to technology embodied in the product described in this document. In particular, and without limitation, these intellectual property rights may include one or more of the patents listed at www.axis.com/patent.htm and one or more additional patents or pending patent applications in the US and other countries.

This product contains licensed third-party software. See the menu item "About" in the product's user interface for more information.

This product contains source code copyright Apple Computer, Inc., under the terms of Apple Public Source License 2.0 (see www.opensource.apple.com/aps/). The source code is available from <https://developer.apple.com/bonjour/>

Equipment Modifications

This equipment must be installed and used in strict accordance with the instructions given in the user documentation. This equipment contains no user-serviceable components. Unauthorized equipment changes or modifications will invalidate all applicable regulatory certifications and approvals.

Trademark Acknowledgments

AXIS COMMUNICATIONS, AXIS, ETRAX, ARTEPEC and VAPIX are registered trademarks or trademark applications of Axis AB in various jurisdictions. All other company names and products are trademarks or registered trademarks of their respective companies.

Apple, Boa, Apache, Bonjour, Ethernet, Internet Explorer, Linux, Microsoft, Mozilla, Real, SMPTE, QuickTime, UNIX, Windows, Windows Vista and WWW are registered trademarks of the respective holders. Java and all Java-based trademarks and

logos are trademarks or registered trademarks of Oracle and/or its affiliates. UPnP™ is a certification mark of the UPnP™ Implementers Corporation.

SD, SDHC and SDXC are trademarks or registered trademarks of SD-3C, LLC in the United States, other countries or both. Also, miniSD, microSD, miniSDHC, microSDHC, microSDXC are all trademarks or registered trademarks of SD-3C, LLC in the United States, other countries or both.

Regulatory Information

Europe



This product complies with the applicable CE marking directives and harmonized standards:

- Electromagnetic Compatibility (EMC) Directive 2004/108/EC. See *Electromagnetic Compatibility (EMC) 2*.
- Low Voltage (LVD) Directive 2006/95/EC. See *Safety 3*.
- Restrictions of Hazardous Substances (RoHS) Directive 2011/65/EU. See *Disposal and Recycling 3*.

A copy of the original declaration of conformity may be obtained from Axis Communications AB. See *Contact Information 3*.

Electromagnetic Compatibility (EMC)

This equipment has been designed and tested to fulfill applicable standards for:

- Radio frequency emission when installed according to the instructions and used in its intended environment.
- Immunity to electrical and electromagnetic phenomena when installed according to the instructions and used in its intended environment.

USA

Using an unshielded network cable (UTP) – This equipment has been tested using an unshielded network cable (UTP) and found to comply with the limits for a Class A digital device, pursuant to part 15 of the FCC Rules. These limits are designed to provide reasonable protection against harmful interference when the equipment is operated in a commercial environment. This equipment generates, uses, and can radiate radio frequency energy and, if not installed and used in accordance with the instruction manual, may cause harmful interference to radio communications. Operation of this equipment in a residential area is likely to cause harmful interference in which case the user will be required to correct the interference at his own expense.

Using a shielded network cable (STP) – This equipment has also been tested using a shielded network cable (STP) and found to comply with the limits for a Class B digital device, pursuant to part 15 of the FCC Rules. These limits are designed to provide reasonable protection against harmful interference in a residential installation. This equipment generates, uses and can radiate radio frequency energy and,

if not installed and used in accordance with the instructions, may cause harmful interference to radio communications. However, there is no guarantee that interference will not occur in a particular installation. If this equipment does cause harmful interference to radio or television reception, which can be determined by turning the equipment off and on, the user is encouraged to try to correct the interference by one or more of the following measures:

- Reorient or relocate the receiving antenna.
- Increase the separation between the equipment and receiver.
- Connect the equipment into an outlet on a circuit different from that to which the receiver is connected.
- Consult the dealer or an experienced radio/TV technician for help.

To be used in a residential area or a demanding electrical environment, the product shall be connected using a shielded network cable (STP) that is properly grounded.

Canada

This digital apparatus complies with CAN ICES-3 (Class B). The product shall be connected using a shielded network cable (STP) that is properly grounded. Cet appareil numérique est conforme à la norme CAN NMB-3 (classe B). Le produit doit être connecté à l'aide d'un câble réseau blindé (STP) qui est correctement mis à la terre.

Europe

This digital equipment fulfills the requirements for RF emission according to the Class B limit of EN 55022. The product shall be connected using a shielded network cable (STP) that is properly grounded.

This product fulfills the requirements for immunity according to EN 61000-6-1 residential, commercial and light-industrial environments.

This product fulfills the requirements for immunity according to EN 61000-6-2 industrial environments.

This product fulfills the requirements for immunity according to EN 55024 office and commercial environments.

Australia/New Zealand

This digital equipment fulfills the requirements for RF emission according to the Class B limit of AS/NZS CISPR 22. The product shall be connected using a shielded network cable (STP) that is properly grounded.

Japan

この装置は、クラスB 情報技術装置です。この装置は、家庭環境で使用することを目的としていますが、この装置がラジオやテレビジョン受信機に近接して使用されると、受信障害を引き起こすことがあります。取扱説明書に従って正しい取り扱いをして下さい。本製品は、シールドネットワークケーブル(STP)を使用して接続してください。また適切に接地してください。

Korea

이 기기는 가정용(B급) 전자파적합기기로서 주로 가정에서 사용하는 것을 목적으로 하며, 모든 지역에서 사용할 수 있습니다. 적절히 접지된 STP (shielded twisted pair) 케이블을 사용하여 제품을 연결 하십시오.

Safety

This product complies with IEC/EN/UL 60950-1, Safety of Information Technology Equipment. If its connecting cables are routed outdoors, the product shall be grounded either through a shielded network cable (STP) or other appropriate method.

Photobiological Safety

AXIS M1145-L: This product fulfills the requirements for photobiological safety according to IEC/EN 62471 (risk group 1).

Disposal and Recycling

When this product has reached the end of its useful life, dispose of it according to local laws and regulations. For information about your nearest designated collection point, contact your local authority responsible for waste disposal. In accordance with local legislation, penalties may be applicable for incorrect disposal of this waste.

Europe



This symbol means that the product shall not be disposed of together with household or commercial waste. Directive 2012/19/EU on waste electrical and electronic equipment (WEEE) is applicable in the European Union member states. To prevent potential harm to human health and the environment, the product must be disposed of in an approved and environmentally safe recycling process. For information about your nearest designated collection point, contact your local authority responsible for waste disposal. Businesses should contact the product supplier for information about how to dispose of this product correctly.

This product complies with the requirements of Directive 2011/65/EU on the restriction of the use of certain hazardous substances in electrical and electronic equipment (RoHS).

China



This product complies with the requirements of the legislative act Administration on the Control of Pollution Caused by Electronic Information Products (ACPEIP).

Contact Information

Axis Communications AB
Erdalavägen 14
223 69 Lund
Sweden

Tel: +46 46 272 18 00
Fax: +46 46 13 61 30

www.axis.com

Support

Should you require any technical assistance, please contact your Axis reseller. If your questions cannot be answered immediately, your reseller will forward your queries through the appropriate channels to ensure a rapid response. If you are connected to the Internet, you can:

- download user documentation and software updates
- find answers to resolved problems in the FAQ database. Search by product, category, or phrase
- report problems to Axis support staff by logging in to your private support area
- chat with Axis support staff
- visit Axis Support at www.axis.com/techsup/

Learn More!

Visit Axis learning center www.axis.com/academy/ for useful trainings, webinars, tutorials and guides.

Safety Information

Read through this Installation Guide carefully before installing the product. Keep the Installation Guide for future reference.

Hazard Levels

⚠ DANGER

Indicates a hazardous situation which, if not avoided, will result in death or serious injury.

⚠ WARNING

Indicates a hazardous situation which, if not avoided, could result in death or serious injury.

⚠ CAUTION

Indicates a hazardous situation which, if not avoided, could result in minor or moderate injury.

NOTICE

Indicates a situation which, if not avoided, could result in damage to property.

Other Message Levels

Important

Indicates significant information which is essential for the product to function correctly.

Note

Indicates useful information which helps in getting the most out of the product.

Safety Instructions

NOTICE

- The Axis product shall be used in compliance with local laws and regulations.
- To use the Axis product outdoors, or in similar environments, it shall be installed in an approved outdoor housing.
- Store the Axis product in a dry and ventilated environment.
- Avoid exposing the Axis product to shocks or heavy pressure.
- Do not install the product on unstable brackets, surfaces or walls.
- Use only applicable tools when installing the Axis product. Using excessive force with power tools could cause damage to the product.
- Do not use chemicals, caustic agents, or aerosol cleaners.
- Use a clean cloth dampened with pure water for cleaning.
- Use only accessories that comply with the technical specification of the product. These can be provided by Axis or a third party.
- Use only spare parts provided by or recommended by Axis.
- Do not attempt to repair the product yourself. Contact Axis support or your Axis reseller for service matters.

Transportation

NOTICE

- When transporting the Axis product, use the original packaging or equivalent to prevent damage to the product.

Battery

This Axis product uses a ML614R rechargeable cell as the power supply for its internal real-time clock (RTC). Under normal conditions this battery will last for a minimum of 2 weeks.

Lithium coin cell 3.0 V batteries contain 1,2-dimethoxyethane; ethylene glycol dimethyl ether (EGDME), CAS no. 110-71-4.

⚠ WARNING

Dispose of used batteries according to the manufacturer's instructions.

Installation Guide

This Installation Guide provides instructions for installing AXIS M1145/M1145-L Network Camera on your network. For other aspects of using the product, see the User Manual available at www.axis.com

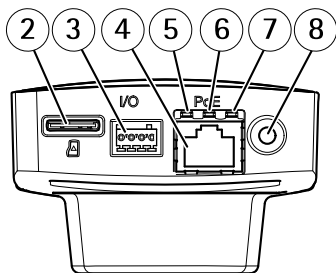
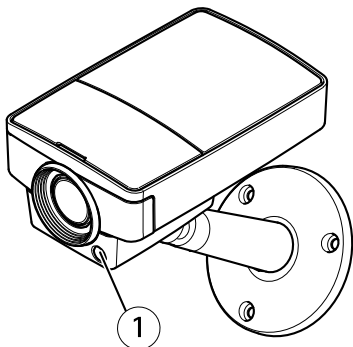
Installation Steps

1. Make sure the package contents, tools and other materials necessary for the installation are in order. See *page 9*.
2. Study the hardware overview. See *page 10*.
3. Study the specifications. See *page 14*.
4. Install the hardware. See *page 17*.
5. Access the product. See *page 18*.

Package Contents

- AXIS M1145/AXIS M1145-L Network Camera
- Camera stand
- 4-pin I/O connector block for connecting external devices to I/O connector
- Printed materials
 - Installation Guide (this document)
 - Extra serial number label (2x)
 - AVHS Authentication key

Hardware Overview



- 1 *Light sensor (only for AXIS M1145-L)*
- 2 *microSD card slot*
- 3 *I/O connector*
- 4 *Network connector*
- 5 *Network LED*
- 6 *Status LED*
- 7 *Power LED*
- 8 *Control button*

LED Indicators

Note

- The Status LED can be configured to be unlit during normal operation. To configure, go to **Setup > System Options > Ports & Devices > LED**. See the online help for more information.
- The Status LED can be configured to flash while an event is active.
- The Status LED can be configured to flash for identifying the unit. Go to **Setup > System Options > Maintenance** .

Status LED	Indication
Green	Steady green for normal operation.
Amber	Steady during startup. Flashes when restoring settings.
Red	Flashes red for firmware upgrade failure.

Note

The Network LED can be disabled so that it does not flash when there is network traffic. To configure, go to **Setup > System Options > Ports & Devices > LED**. See the online help for more information.

Network LED	Indication
Green	Steady for connection to a 1 Gbit/s network. Flashes for network activity.

Amber	Steady for connection to a 10/100 Mbit/s network. Flashes for network activity.
Unlit	No network connection.

Note

The Power LED can be configured to be unlit during normal operation. To configure, go to **Setup > System Options > Ports & Devices > LED**. See the online help for more information.

Power LED	Indication
Green	Normal operation.
Amber	Flashes green/amber during firmware upgrade.

Connectors and Buttons

For specifications and operating conditions, see *page 14*.

Network Connector

RJ45 Ethernet connector with Power over Ethernet (PoE).

NOTICE

Due to local regulations or the environmental and electrical conditions in which the product is to be used, a shielded network cable (STP) may be appropriate or required. All cables connecting the product to the network and that are routed outdoors or in demanding electrical environments shall be intended for their specific use. Make sure that the network devices are installed in accordance with the manufacturer's instructions. For information about regulatory requirements, see *Electromagnetic Compatibility (EMC) 2*.

I/O Connector

Use with external devices in combination with, for example, tampering alarms, motion detection, event triggering, time lapse recording and alarm notifications. In addition to the 0 V DC reference point and power (DC output), the I/O connector provides the interface to:

- **Digital output** – For connecting external devices such as relays and LEDs. Connected devices can be activated by the VAPIX® Application Programming Interface, output buttons on the Live View page or by an Action Rule. The output will show as active (shown under **System Options > Ports & Devices**) if the alarm device is activated.
- **Digital input** – An alarm input for connecting devices that can toggle between an open and closed circuit, for example: PIRs, door/window contacts, glass break detectors, etc. When a signal is received the state changes and the input becomes active (shown under **System Options > Ports & Devices**).

SD Card Slot

NOTICE

- Risk of damage to SD card. Do not use sharp tools or excessive force when inserting or removing the SD card.
- Risk of data loss. To prevent data corruption, the SD card should be unmounted before removal. To unmount, go to **Setup > System Options > Storage > SD Card** and click **Unmount**.

This product supports microSD/microSDHC/microSDXC cards (not included).

For SD card recommendations, see www.axis.com

Control Button

For location of the control button, see *Hardware Overview on page 10*.

The control button is used for:

- Resetting the product to factory default settings. See *page 18*.
- Connecting to an AXIS Video Hosting System service or AXIS Internet Dynamic DNS Service. For more information about these services, see the User Manual.

Specifications

The Axis product is intended for indoor use.

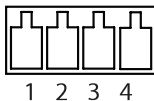
Product	Temperature	Humidity
AXIS M1145	0 °C to 50 °C (32 °F to 122 °F)	20-80% RH (non-condensing)
AXIS M1145-L	0 °C to 40 °C (32 °F to 104 °F)	

Product	PoE
AXIS M1145	Power over Ethernet (PoE) IEEE 802.3af/802.3at Type 1 Class 2
AXIS M1145-L	Power over Ethernet (PoE) IEEE 802.3af/802.3at Type 1 Class 3

Connectors

I/O Connector

4-pin terminal block



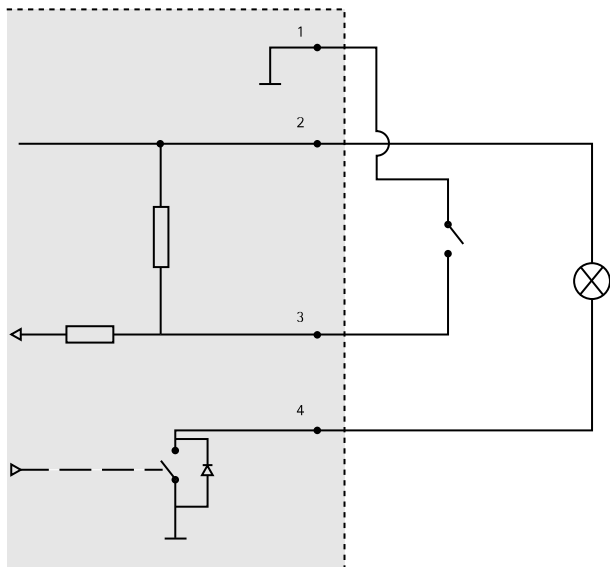
ENGLISH

For an example diagram, see *Connection Diagrams* on page 16.

Function	Pin	Notes	Specifications
0VDC (-)	1		0 V DC
DC output	2	Can be used to power auxiliary equipment. Note: This pin can only be used as power out.	3.3 V DC Max load = 50 mA
Digital input	3	Connect to pin 1 to activate, or leave floating (unconnected) to deactivate	0 to max 40 V DC
Digital output	4	Connected to pin 1 when activated, floating (unconnected) when deactivated. If used with an inductive load, e.g. a relay, a diode must be connected in parallel with the load, for protection against voltage transients.	0 to max 40 V DC, open drain, 100 mA

Connection Diagrams

I/O Connector



- 1 0 V DC (-)
- 2 DC output 3.3 V, max 50 mA
- 3 Digital input 0 to max 40 V DC
- 4 Digital output 0 to max 40 V DC, open drain, 100 mA

Install the Hardware

1. Attach the stand to the camera by screwing it on. For wall mounting, attach the stand to wall first, using 3 appropriate screws.
2. Attach the network cable to the network connector on the camera unit.
3. Check that the indicator LEDs indicate the correct conditions. See *LED Indicators on page 11*.

Note

Make sure the light sensor is not covered. This could affect its performance and lead to false day/night shifts.

Set focus and zoom

1. Go to **Video > Focus & Zoom**.
2. On the **Basic** tab, set the **zoom** level using the slider.
Click the < or > button to move the zoom position one step.
Click the << or >> button to move the zoom position in multiple steps.

Note

Movements in front of the camera should be avoided when performing autofocus.

3. Click **Perform autofocus**.
4. If the autofocus was not satisfying, go to the **Advanced** tab.

On the **Advanced** tab, focus can be adjusted manually:

1. Click **Open iris** to open the iris to its maximum position. This gives the smallest depth of field and provides the best conditions for focusing.
2. Focus is set in the **Focus window**. Use the mouse to move and resize the focus window.
3. Click in the **Focus position** bar to focus on a desired location.

Click the < or > button to move the focus position one step.

Click the << or >> button to move the focus position in multiple steps.

4. When satisfied, click **Enable iris** to enable the iris.

Access the Product

AXIS IP Utility and AXIS Camera Management are recommended methods for finding Axis products on the network and assigning them IP addresses in Windows®. Both applications are free and can be downloaded from www.axis.com/techsup

The product can be used with most operating systems and browsers. The recommended browsers are

- Internet Explorer® with Windows®
- Safari® with OS X®
- Chrome™ or Firefox® with other operating systems.

For more information about using the product, see the User Manual available at www.axis.com

Reset to Factory Default Settings

Important

Reset to factory default should be used with caution. A reset to factory default will reset all settings, including the IP address, to the factory default values.

Note

The installation and management software tools are available from the support pages on www.axis.com/techsup

To reset the product to the factory default settings:

1. Disconnect power from the product.

2. Press and hold the control button and reconnect power. See *Hardware Overview on page 10*.
3. Keep the control button pressed for 15–30 seconds until the status LED indicator flashes amber.
4. Release the control button. The process is complete when the status LED indicator turns green. The product has been reset to the factory default settings. If no DHCP server is available on the network, the default IP address is 192 . 168 . 0 . 90
5. Using the installation and management software tools, assign an IP address, set the password, and access the video stream.

It is also possible to reset parameters to factory default via the web interface. Go to **Setup > System Options > Maintenance** and click **Default**.

Further Information

For the latest version of this document, see www.axis.com

The User Manual is available at www.axis.com

Visit www.axis.com/techsup to check if there is updated firmware available for your network product. To see the currently installed firmware version, go to **Setup > About**.

Visit Axis learning center www.axis.com/academy for useful trainings, webinars, tutorials and guides.

Warranty Information

For information about Axis' product warranty and thereto related information, see www.axis.com/warranty/

Informations sur la sécurité

Lisez attentivement ce guide d'installation avant d'installer l'appareil. Conservez le guide d'installation pour toute référence ultérieure.

Niveaux de risques

⚠ DANGER

Indique une situation dangereuse qui, si elle n'est pas évitée, entraînera le décès ou des blessures graves.

⚠ AVERTISSEMENT

Indique une situation dangereuse qui, si elle n'est pas évitée, pourrait entraîner le décès ou des blessures graves.

⚠ ATTENTION

Indique une situation dangereuse qui, si elle n'est pas évitée, pourrait entraîner des blessures légères ou modérées.

AVS

Indique une situation qui, si elle n'est pas évitée, pourrait endommager l'appareil.

Autres niveaux de message

Important

Indique les informations importantes, nécessaires pour assurer le bon fonctionnement de l'appareil.

Note

Indique les informations utiles qui permettront d'obtenir le fonctionnement optimal de l'appareil.

Consignes de sécurité

AVIS

- Le produit Axis doit être utilisé conformément aux lois et réglementations locales en vigueur.
- Pour pouvoir utiliser le produit Axis à l'extérieur, ou dans des environnements similaires, il doit être installé dans un boîtier d'extérieur homologué.
- Conserver ce produit Axis dans un environnement sec et ventilé.
- Ne pas exposer ce produit Axis aux chocs ou aux fortes pressions.
- Ne pas installer ce produit sur des supports, surfaces ou murs instables.
- Utiliser uniquement des outils recommandés pour l'installation de l'appareil Axis. L'application d'une force excessive sur l'appareil avec des outils puissants pourrait l'endommager.
- Ne pas utiliser de produits chimiques, de substances caustiques ou de nettoyants pressurisés.
- Utiliser un chiffon propre imbibé d'eau pure pour le nettoyage.
- Utiliser uniquement des accessoires conformes aux caractéristiques techniques du produit. Ils peuvent être fournis par Axis ou un tiers.
- Utiliser uniquement les pièces de rechange fournies ou recommandées par Axis.
- Ne pas essayer de réparer vous-même ce produit. Contacter l'assistance technique d'Axis ou votre revendeur Axis pour des problèmes liés à l'entretien.

Transport

AVIS

- Lors du transport du produit Axis, utilisez l'emballage d'origine ou un équivalent pour éviter d'endommager le produit.

Batterie

Ce produit Axis nécessite une pile rechargeable ML614R pour l'alimentation de son horloge temps réel interne. Dans des conditions normales d'utilisation, la durée de cette pile est d'environ 2 semaines.

Les piles boutons 3,0 V au lithium contiennent du 1,2-diméthoxyéthane, éthylène glycol diméthyl éther (EGDME), CAS N° 110-71-4.

⚠ AVERTISSEMENT

Jetez les piles usagées conformément aux consignes du fabricant.

Guide d'installation

Ce guide d'installation explique comment installer la caméra réseau AXIS M1145/M1145-L sur votre réseau. Pour toute autre information relative à l'utilisation du produit, reportez-vous au manuel de l'utilisateur disponible sur le site www.axis.com

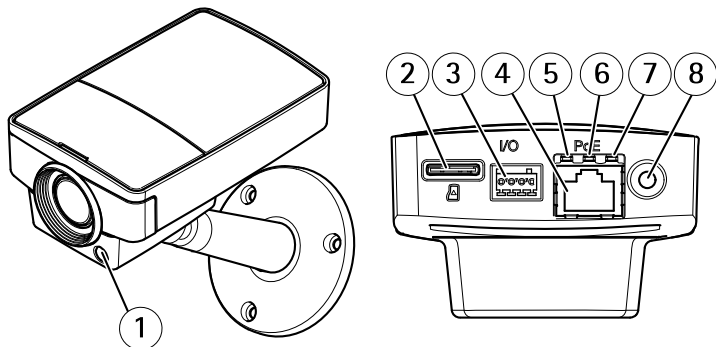
Procédures d'installation

1. Assurez-vous que les outils et autres matériels nécessaires à l'installation sont inclus dans l'emballage. Cf. *page 25*.
2. Consultez la description du matériel. Cf. *page 26*.
3. Étudiez les caractéristiques. Cf. *page 30*.
4. Installez le matériel. Cf. *page 34*.
5. Utilisez le produit. Cf. *page 35*.

Contenu de l'emballage

- Caméra réseau AXIS M1145/AXIS M1145-L
- Support de caméra
- Bloc de connexion à 4 broches pour le raccordement de dispositifs externes
- Documents imprimés
 - Guide d'installation (ce document)
 - Étiquette supplémentaire de numéro de série (x2)
 - Clé d'authentification AVHS

Aperçu du matériel



- 1 Capteur de luminosité (uniquement pour AXIS M1145-L)
- 2 Logement de carte microSD
- 3 Connecteur d'E/S
- 4 Connecteur réseau
- 5 Voyant DEL réseau
- 6 Voyant d'état
- 7 Voyant d'alimentation
- 8 Bouton de commande

Voyants

Note

- Le voyant d'état peut être éteint pendant le fonctionnement normal. Pour ce faire, rendez-vous dans **Setup > System Options > Ports & Devices > LED (Configuration > Options système > Ports et dispositifs > DEL)**. Consultez l'aide en ligne pour plus d'informations.
- Le voyant d'état peut clignoter lorsqu'un événement est actif.
- Le voyant d'état peut clignoter pendant l'identification de l'appareil. Rendez-vous dans **Setup > System Options > Maintenance (Configuration > Options du système > Maintenance)**.

Voyant d'état	Indication
Vert	Vert fixe en cas de fonctionnement normal.
Orange	Fixe pendant le démarrage. Clignote lors de la restauration des paramètres.
Rouge	Clignote en rouge en cas d'échec de la mise à niveau du microprogramme.

Note

Le voyant de réseau peut être désactivé afin qu'il ne clignote pas en cas de trafic réseau. Pour ce faire, rendez-vous dans **Setup > System Options > Ports & Devices > LED (Configuration > Options système > Ports et dispositifs > DEL)**. Consultez l'aide en ligne pour plus d'informations.

Voyant DEL réseau	Indication
Vert	Fixe en cas de connexion à un réseau de 1 Gbit/s. Clignote en cas d'activité réseau.
Orange	Fixe en cas de connexion à un réseau de 10/100 Mbits/s. Clignote en cas d'activité réseau.
Éteint	Pas de connexion réseau.

Note

Le voyant d'alimentation peut être éteint pendant le fonctionnement normal. Pour ce faire, rendez-vous dans **Setup > System Options > Ports & Devices > LED (Configuration > Options système > Ports et dispositifs > DEL)**. Consultez l'aide en ligne pour plus d'informations.

Voyant d'alimentation	Indication
Vert	Fonctionnement normal.
Orange	Le voyant vert/orange clignote pendant la mise à niveau du microprogramme.

Connecteurs et boutons

Pour les caractéristiques et les conditions d'utilisation, consultez *page 30*.

Connecteur réseau

Connecteur Ethernet RJ45 avec l'alimentation par Ethernet (PoE).

AVIS

Les réglementations locales ou les conditions environnementales et électriques dans lesquelles le produit est utilisé peuvent nécessiter l'utilisation d'un câble réseau blindé (STP). Tous les câbles réseau qui sont acheminés à l'extérieur ou dans des environnements électriques exigeants doivent être destinés à leur usage spécifique. Assurez-vous que les périphériques réseau sont installés conformément aux instructions du fabricant. Pour plus d'informations sur les exigences réglementaires, consultez *Electromagnetic Compatibility (EMC) 2*.

Connecteur d'E/S

Utilisez-le avec des périphériques externes associés aux applications telles que les alarmes de détérioration, la détection de mouvement, le déclenchement d'événements, l'enregistrement à intervalles et les notifications d'alarme. En plus du point de référence 0 V CC et de l'alimentation (sortie CC), le connecteur d'E/S fournit une interface aux éléments suivants :

- **Sortie numérique** – Permet de connecter des dispositifs externes, comme des relais ou des voyants. Les appareils connectés peuvent être activés par l'interface de programmation VAPIX®, des boutons de sortie sur la page Live View (Vidéo en direct) ou par une règle d'action. La sortie est considérée comme étant active (comme indiqué dans **System Options > Ports & Devices (Options du système > Ports et dispositifs)**) si le dispositif d'alarme est activé.
- **Entrée numérique** – Entrée d'alarme utilisée pour connecter des dispositifs pouvant passer d'un circuit ouvert à un circuit fermé, par exemple : détecteurs infrarouge passifs, contacts de porte/fenêtre, détecteurs de bris de verre, etc. À la réception d'un signal, l'état change et l'entrée s'active (sous **System Options > Ports & Devices (Options du système > Ports et dispositifs)**).

Emplacement pour carte SD

AVIS

- La carte SD risque d'être endommagée. Ne pas utiliser d'outils tranchants et ne pas forcer lors de l'insertion ou du retrait de la carte SD.
- Risque de perte de données. Pour éviter la corruption des données, la carte SD doit être démontée avant son retrait. Pour ce faire, rendez-vous dans **Setup > System Options > Storage > SD Card (Configuration > Options du système > Stockage > Carte SD)** et cliquez sur **Unmount (Démonter)**.

Cet appareil est compatible avec des cartes microSD/microSDHC/microSDXC (cartes non fournies).

Pour obtenir des conseils sur la carte SD, rendez-vous sur www.axis.com

Bouton de commande

Pour connaître l'emplacement du bouton de commande, consultez *Aperçu du matériel* page 26.

Le bouton de commande permet de réaliser les opérations suivantes :

- Réinitialisation du produit aux paramètres d'usine par défaut. Cf. *page 36*.
- Connexion au service du Système d'hébergement vidéo AXIS ou au service AXIS Internet Dynamic DNS. Pour plus d'informations sur ces services, reportez-vous au Manuel de l'utilisateur.

Caractéristiques techniques

L'appareil Axis est uniquement destiné à une utilisation en intérieur.

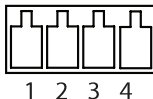
Produit	Température	Humidité
AXIS M1145	0 °C à 50 °C (32 °F à 122 °F)	20 à 80 % (sans condensation)
AXIS M1145-L	0 °C à 40 °C (32 °F à 104 °F)	

Produit	PoE
AXIS M1145	Alimentation par Ethernet (PoE) IEEE 802.3af/802.3at Type 1 Classe 2
AXIS M1145-L	Alimentation par Ethernet (PoE) IEEE 802.3af/802.3at Type 1 Classe 3

Connecteurs

Connecteur d'E/S

Bloc terminal à 4 broches.



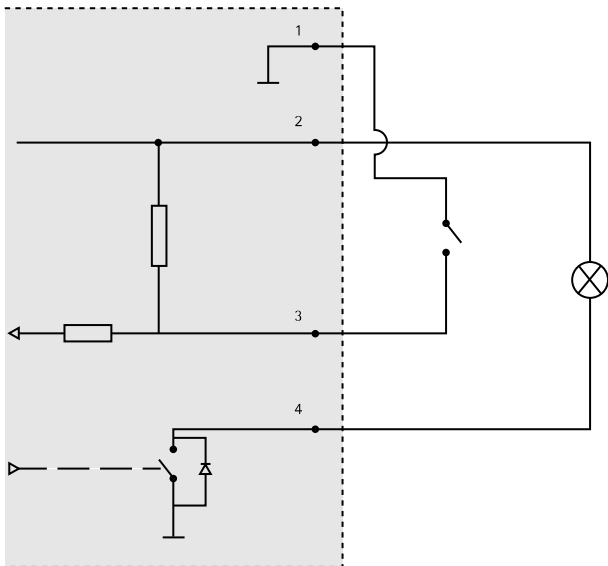
Pour un exemple de schéma, consultez *Schémas de connexion* page 33.

Fonction	Broche	Notes	Caractéristiques
0 V CC (-)	1		0 V CC

Sortie CC	2	Peut servir à alimenter le matériel auxiliaire. Remarque : cette broche ne peut être utilisée que comme sortie d'alimentation.	3,3 V CC Charge max. = 50 mA
Entrée numérique	3	Connectez-la à la broche 1 pour l'activer ou laissez-la flotter (déconnectée) pour la désactiver.	0 à 40 V CC
Sortie numérique	4	Connectée à la broche 1 lorsqu'elle est activée, flotte (déconnectée) lorsqu'elle est désactivée. Si vous l'utilisez avec une charge inductive, par exemple un relais, une diode doit être connectée en parallèle avec la charge, en guise de protection contre les tensions transitoires.	0 à 40 V CC max., drain ouvert, 100 mA

Schémas de connexion

Connecteur d'E/S



- 1 0 V CC (-)
- 2 Sortie CC 3,3 V, maxi. 50 mA
- 3 Entrée numérique 0 à max. 40 V CC
- 4 Entrée numérique 0 à max. 40 V CC, drain ouvert, max. 100 mA

Installation du matériel

1. Vissez le support sur la caméra. Pour un montage mural, fixez d'abord le support sur le mur à l'aide de 3 vis adaptées.
2. Reliez le câble réseau au connecteur réseau de la caméra.
3. Vérifiez que les voyants DEL indiquent le bon état de fonctionnement. Cf. *Voyants* page 27.

Note

Assurez-vous que le capteur de lumière n'est pas couvert. Cela pourrait affecter ses performances et entraîner des changements de mode jour/nuit inappropriés.

Régler la mise au point et le zoom :

1. Accédez à **Video (Vidéo) > Focus Et Zoom (Mise au point et zoom)**.
2. Dans l'onglet **Basic (Base)**, définissez le niveau de **zoom** à l'aide du curseur.
Cliquez sur la touche < ou > pour déplacer la position du zoom d'un palier.
Cliquez sur la touche << ou >> pour déplacer la position du zoom de plusieurs paliers.

Note

Les mouvements devant la caméra doivent être évités lors de la mise au point.

3. Cliquez sur **Perform autofocus** (Faire une mise au point automatique).
4. Si la mise au point automatique n'est pas satisfaisante, accédez à l'onglet **Advanced (Avancé)**.

Dans l'onglet **Advanced (Avancé)**, la mise au point peut être réglée manuellement :

1. Cliquez sur **Open iris (Ouvrir l'iris)** pour ouvrir l'iris en position maximale. La plus petite profondeur de champ est ainsi obtenue et offre les meilleures conditions pour une mise au point correcte.
2. La mise au point se règle dans la **fenêtre de mise au point**. Utilisez la souris pour déplacer et redimensionner la fenêtre de mise au point.
3. Cliquez dans la barre **Focus position (Position de mise au point)** pour effectuer la mise au point sur un élément spécifique.
Cliquez sur la touche < ou > pour déplacer la position de la mise au point d'un palier.
Cliquez sur la touche << ou >> pour déplacer la position de la mise au point de plusieurs paliers.
4. Une fois que le réglage vous convient, cliquez sur **Enable iris (Activer l'iris)** pour activer l'iris.

Utilisez le produit

Si vous souhaitez rechercher des produits Axis sur le réseau ou leur affecter des adresses IP sous Windows®, nous recommandons l'utilisation des applications AXIS IP Utility et AXIS Camera Management. Ces deux applications sont gratuites et peuvent être téléchargées depuis www.axis.com/techsup

Le produit peut être utilisé avec la plupart des systèmes d'exploitation et des navigateurs. Les navigateurs recommandés sont

- Internet Explorer® avec Windows®,
- Safari® avec OS X®
- Chrome™ ou Firefox® avec les autres systèmes d'exploitation.

Pour plus d'informations concernant l'utilisation du produit, consultez le manuel de l'utilisateur disponible sur le site www.axis.com

Réinitialisation aux paramètres d'usine par défaut

Important

La réinitialisation aux paramètres par défaut doit être utilisée avec prudence. Cette opération reconfigure tous les paramètres, y compris l'adresse IP, aux valeurs d'usine par défaut.

Note

Les logiciels d'installation et de gestion sont disponibles sur les pages d'assistance du site www.axis.com/techsup

Pour réinitialiser l'appareil aux paramètres d'usine par défaut :

1. Déconnectez l'alimentation de l'appareil.
2. Maintenez le bouton de commande enfoncé et remettez l'appareil sous tension. Consultez *Aperçu du matériel page 26*.
3. Maintenez le bouton de commande enfoncé pendant 15 à 30 secondes, jusqu'à ce que le voyant d'état passe à l'orange et clignote.
4. Relâchez le bouton de commande. Le processus est terminé lorsque le voyant d'état passe au vert. Les paramètres d'usine par défaut de l'appareil ont été rétablis. En l'absence d'un serveur DHCP sur le réseau, l'adresse IP par défaut est 192.168.0.90.
5. Utilisez les outils d'installation et de gestion pour attribuer une adresse IP, configurer le mot de passe et accéder au flux de données vidéo.

Il est également possible de rétablir les paramètres d'usine à partir de l'interface Web. Accédez à **Setup > System Options > Maintenance (Configuration > Options du système > Maintenance)** et cliquez sur **Default (Défaut)**.

Pour obtenir plus de renseignements

Pour la dernière version de ce document, consultez le site www.axis.com

Le Manuel de l'utilisateur est disponible à l'adresse suivante :
www.axis.com

Consultez le site www.axis.com/techsup pour vérifier si des mises à jour des logiciels sont disponibles pour votre appareil réseau. Pour connaître la version du micrologiciel actuellement installée, reportez-vous à la page **Setup > About (Configuration > À propos de)**.

Visitez le centre d'apprentissage en ligne Axis sur le site www.axis.com/academy pour en savoir plus sur les formations, les webinaires, les tutoriels et les guides.

Informations sur la garantie

Pour obtenir de plus amples informations sur la garantie du produit AXIS et des renseignements connexes, allez sur le site www.axis.com/warranty/

Sicherheitsinformation

Lesen Sie das Installationshandbuch sorgfältig durch bevor sie das Produkt installieren. Bewahren Sie das Installationshandbuch für zukünftige Zwecke auf.

Gefährdungsstufen

⚠ GEFAHR

Weist auf eine gefährliche Situation hin, welche, falls nicht verhindert, zu Tod oder schweren Verletzungen führt.

⚠ WARNUNG

Weist auf eine gefährliche Situation hin, welche, falls nicht verhindert, zu Tod oder schweren Verletzungen führen kann.

⚠ VORSICHT

Weist auf eine gefährliche Situation hin, welche, falls nicht verhindert, zu geringfügiger oder mäßiger Verletzung führen kann.

HINWEIS

Weist auf eine gefährliche Situation hin, welche, falls nicht verhindert, zu Sachschäden führen kann.

Weitere Nachrichtenstufen

Wichtig

Weist auf wichtige Informationen hin, die den richtigen Betrieb des Produkts gewährleisten.

Beachten

Weist auf nützliche Informationen hin, die die optimale Verwendung des Produkts unterstützen.

Sicherheitsanweisungen

HINWEIS

- Die Anwendung des Axis Produkts muss unter Beachtung der örtlich geltenden rechtlichen Bestimmungen erfolgen.
- Bei der Anwendung von Axis Produkten im Außenbereich oder ähnlichen Umgebungen, müssen diese in zugelassenen Außengehäusen installiert werden.
- Lagern Sie das Axis Produkt in einer trockenen und belüfteten Umgebung.
- Achten Sie darauf, dass das Axis Produkt weder Stößen noch starkem Druck ausgesetzt ist.
- Installieren Sie das Produkt nicht an instabilen Halterungen, Oberflächen oder Wänden.
- Verwenden Sie bei der Installation des Axis Produkts ausschließlich passende Werkzeuge. Ein zu großer Kraftaufwand mit elektrischen Werkzeugen kann das Produkt beschädigen.
- Verwenden Sie keine chemischen, ätzenden oder aerosolhaltigen Reinigungsmittel.
- Verwenden Sie zum Reinigen ein sauberes, mit destilliertem Wasser angefeuchtetes Tuch.
- Verwenden Sie nur Zubehör, das den technischen Daten des Produkts entspricht. Dieses ist von Axis oder Drittanbietern erhältlich.
- Verwenden Sie ausschließlich Ersatzteile die von Axis bereitgestellt oder empfohlen werden.
- Versuchen Sie nicht, das Produkt selbstständig zu reparieren. Wenden Sie sich bezüglich Reparatur und Wartung an den Axis Support oder Ihren Axis Händler.

Transport

HINWEIS

- Bei Bedarf transportieren Sie das Axis Produkt in der Originalverpackung oder einer entsprechenden Verpackung, so dass Schäden vermieden werden.

Batterie

Dieses Axis Produkt ist mit einem ML614R-Akku ausgestattet, mit dem die interne Echtzeituhr (RTC) versorgt wird. Unter normalen Bedingungen hat die Batterie eine Laufzeit von mindestens zwei Wochen.

Lithium-Knopfzellen (3,0 V) enthalten 1,2-Dimethoxyethan; Ethylenglycoldimethylether (EGDME), CAS-Nr. 110-71-4.

⚠️ WARNUNG

Verbrauchte Batterien sind gemäß Herstelleranweisungen zu entsorgen.

Installationsanleitung

In dieser Anleitung wird die Installation der AXIS M1145- und der Axis M1145-L-Netzwerk-Kamera in Ihrem Netzwerk beschrieben. Weitere Informationen zur Nutzung dieses Produktes finden Sie im Benutzerhandbuch unter www.axis.com

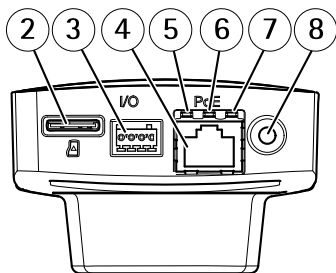
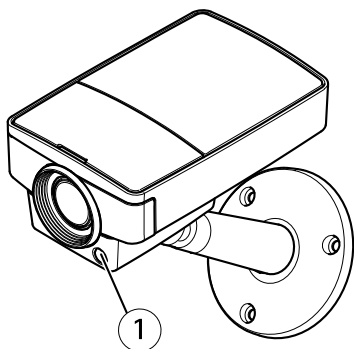
Installationsschritte

1. Stellen Sie sicher, dass die Packungsinhalte, Werkzeuge und andere notwendige Materialien für die Installation in Ordnung sind. Siehe *Seite 43*.
2. Machen Sie sich mit der Hardware-Übersicht vertraut. Siehe *Seite 44*.
3. Machen Sie sich mit den technischen Daten vertraut. Siehe *Seite 48*.
4. Installieren Sie die Hardware. Siehe *Seite 52*.
5. Greifen Sie auf das Produkt zu. Siehe *Seite 53*.

Lieferumfang

- AXIS M1145-/AXIS M1145-L-Netzwerk-Kamera
- Kameramontagefuß
- 4-poliger E/A-Anschlussblock für den Anschluss externer Geräte an den E/A-Anschluss
- Gedruckte Dokumente
 - Installationsanleitung (dieses Dokument)
 - Zusätzliche Etiketten mit der Seriennummer (2x)
 - AVHS-Authentifizierungsschlüssel

Übersicht über die Hardware



- 1 *Lichtsensor (nur für AXIS M1145-L)*
- 2 *microSD-Karteneinschub*
- 3 *E/A-Anschluss*
- 4 *Netzwerkanschluss*
- 5 *Netzwerk-LED*
- 6 *Status-LED*
- 7 *Netz-LED*
- 8 *Steuertaste*

LEDs

Beachten

- Die Status-LED kann so eingestellt werden, dass sie während des Normalbetriebs nicht leuchtet. Diese Konfiguration können Sie unter **Setup > System Options > Ports & Devices > LED (Setup > Systemoptionen > Ports & Geräte > LED)** einstellen. Weitere Informationen finden Sie in der Online-Hilfe.
- Die Status-LED kann so eingestellt werden, dass sie blinkt, wenn ein Ereignis aktiv ist.
- Die Status-LED kann so eingestellt werden, dass sie blinkt, wenn die Einheit erkannt wird. Rufen Sie **Setup > System Options > Maintenance (Setup > Systemoptionen > Wartung)** auf.

Status-LED	Bedeutung
Grün	Leuchtet bei Normalbetrieb grün.
Gelb	Leuchtet beim Start. Blinkt beim Wiederherstellen der Einstellungen.
Rot	Blinkt rot bei einem Fehler während der Firmware-Aktualisierung.

Beachten

Die Netzwerk-LED kann deaktiviert werden, sodass Sie bei Datenverkehr über das Netzwerk nicht blinkt. Diese Konfiguration können Sie unter **Setup > System Options > Ports & Devices > LED (Setup > Systemoptionen > Ports & Geräte > LED)** einstellen. Weitere Informationen finden Sie in der Online-Hilfe.

Netzwerk-LED	Bedeutung
Grün	Leuchtet bei Verbindung mit einem 1 GBit/s-Netzwerk. Blinkt bei Netzwerkaktivität.
Gelb	Leuchtet bei Verbindung mit einem 10/100 MBit/s-Netzwerk. Blinkt bei Netzwerkaktivität.
Leuchtet nicht	Keine Netzwerkverbindung vorhanden.

Beachten

Die Netz-LED kann so eingestellt werden, dass sie während des Normalbetriebs nicht leuchtet. Diese Konfiguration können Sie unter **Setup > System Options > Ports & Devices > LED (Setup > Systemoptionen > Ports & Geräte > LED)** einstellen. Weitere Informationen finden Sie in der Online-Hilfe.

Netz-LED	Bedeutung
Grün	Normaler Betrieb.
Gelb	Blinkt grün/gelb bei der Firmware-Aktualisierung.

Anschlüsse und Tasten

Für die technischen Daten und Betriebsbedingungen siehe *Seite 48*.

Netzwerkanschluss

RJ45-Ethernetanschluss mit Power over Ethernet (PoE).

HINWEIS

Aufgrund örtlicher Vorschriften oder der Umgebungsbedingungen und elektrischen Bedingungen, unter denen das Produkt verwendet wird, kann ein abgeschirmtes Netzkabel (STP) empfehlenswert oder notwendig sein. Alle Netzkabel des Produkts, die im Außenbereich oder in anspruchsvollen elektrischen Umgebungen verlegt werden, müssen hierfür ausgelegt sein. Stellen Sie sicher, dass die Netzwerkgeräte gemäß den Anweisungen des Herstellers installiert wurden. Informationen zu gesetzlichen Bestimmungen finden Sie unter *Electromagnetic Compatibility (EMC) 2*.

E/A-Anschluss

Zur Verwendung mit externen Geräten in Verbindung mit Manipulationsalarmen, Bewegungserkennung, Ereignisauslösung, Zeitrafferaufnahmen, Alarmbenachrichtigungen usw. Abgesehen vom 0 V DC-Bezugspunkt und einer Stromquelle (Gleichstromausgang) verfügt die E/A-Klemmenleiste über eine Schnittstelle zu:

- **Digitalausgang** – Zum Anschluss externer Geräte wie Relais und LEDs. Angeschlossene Geräte können über die VAPIX® Application Programming Interface (Programmierschnittstelle) über die Schaltflächen für den Ausgang auf der Seite „Live View“ oder durch eine Aktionsregel aktiviert werden. Der Ausgang wird als aktiv (siehe **System Options > Ports & Devices (Systemoptionen > Anschlüsse & Geräte)**) angezeigt, wenn das Alarmmeldegerät aktiviert ist.
- **Digitaleingang** – Alarmeingang für den Anschluss von Geräten, die zwischen geöffnetem und geschlossenem Schaltkreis wechseln können, z. B.: PIR-Sensoren, Tür-/Fensterkontakte, Glasbruchmelder usw. Bei Empfang eines Signals ändert sich der Status und der Eingang wird aktiviert (siehe **System Options > Ports & Devices (Systemoptionen > Anschlüsse & Geräte)**).

SD-Kartensteckplatz

HINWEIS

- Gefahr von Schäden an der SD-Karte. Verwenden Sie beim Einlegen oder Entfernen der SD-Karte keine scharfen/spitzen Werkzeuge und wenden Sie nicht zu viel Kraft an.
- Gefahr vor Datenverlust. Um einer Beschädigung der Aufnahmen vorzubeugen, sollte die SD-Karte vor dem mechanischen Auswerfen getrennt werden. Rufen Sie zum Trennen **Setup > System Options > Storage > SD Card (Setup > Systemoptionen > Speicher > SD-Karte)** auf und klicken Sie auf **Unmount (Trennen)**.

Dieses Produkt unterstützt microSD-/microSDHC-/microSDXC-Karten (separat erhältlich).

Empfehlungen zu SD-Karten finden Sie unter www.axis.com.

Steuertaste

Die Steuertaste befindet sich an folgender Stelle: *Übersicht über die Hardware auf Seite 44.*

Die Steuertaste hat folgende Funktionen:

- Zurücksetzen des Produkts auf die Werkseinstellungen. Siehe *Seite 54.*
- Verbinden mit einem AXIS Video Hosting System-Service oder einem AXIS Internet Dynamic DNS-Service. Weitere Informationen zu diesen Diensten finden Sie in der Bedienungsanleitung.

Technische Daten

Das Axis Produkt ist für die Verwendung in Innenräumen ausgelegt.

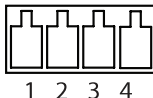
Produkt	Temperatur	Luftfeuchtigkeit
AXIS M1145	0 °C bis 50 °C (32 °F bis 122 °F)	20 bis 80 % relative Luftfeuchtigkeit (nicht kondensierend)
AXIS M1145-L	0 °C bis 40 °C (32 °F bis 104 °F)	

Produkt	PoE
AXIS M1145	Power over Ethernet (PoE) IEEE 802.3af/802.3at Typ 1 Klasse 2
AXIS M1145-L	Power over Ethernet (PoE) IEEE 802.3af/802.3at Typ 1 Klasse 3

Anschlüsse

E/A-Anschluss

4-poliger Anschlussblock



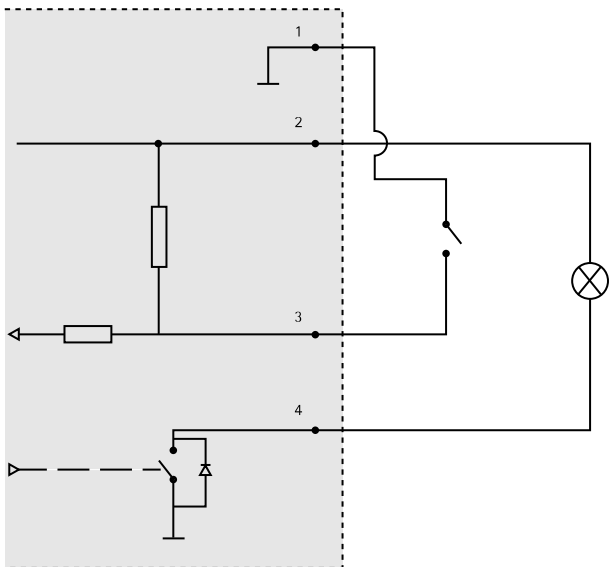
Ein Beispielschaltbild finden Sie unter *Anschlusschaltbilder auf Seite 51*.

Funktion	Kontakt	Hinweise	Technische Daten
0 V DC (-)	1		0 V DC

Gleichstromausgang	2	Kann für die Stromversorgung von Zusatzgeräten verwendet werden. Hinweis: Dieser Kontakt kann nur für den Stromausgang verwendet werden.	3,3 V DC Max. Stromstärke = 50 mA
Digitaleingang	3	Zum Aktivieren mit Kontakt 1 verbinden; zum Deaktivieren nicht anschließen.	0 bis max. 40 V DC
Digitalausgang	4	Bei Aktivierung mit Kontakt 1 verbunden; wenn deaktiviert: frei (nicht verbunden). Bei Verwendung mit einer induktiven Last, z. B. einem Relais, muss parallel zur Last zum Schutz vor Spannungsspitzen eine Diode zwischengeschaltet werden.	0 bis max. 40 V DC, Open Drain, 100 mA

Anschluss Schaltbilder

E/A-Anschluss



- 1 0 V DC (-)
- 2 DC-Ausgang 3,3 V, max. 50 mA
- 3 Digitaleingang 0 bis max. 40 V DC
- 4 Digitalausgang 0 bis max. 40 V DC, Open Drain, 100 mA

Installieren der Hardware

1. Befestigen Sie den Montagefuß an der Kamera, indem Sie ihn anschrauben. Befestigen Sie für die Wandmontage zunächst den Montagefuß mit 3 entsprechenden Schrauben an der Wand.
2. Schließen Sie das Netzkabel am Netzwerkanschluss der Kameraeinheit an.
3. Überprüfen Sie, ob die LED-Anzeigen die Betriebszustände korrekt angeben. Siehe *LEDs auf Seite 45*.

Beachten

Stellen Sie sicher, dass der Lichtsensor nicht verdeckt ist. Dies könnte die Leistung herabsetzen und zu falschen Tag-/Nachtwechseln führen.

Einstellen von Fokus und Zoom

1. Rufen Sie **Video > Focus & Zoom (Video > Fokus & Zoom)** auf.
2. Stellen Sie auf der Registerkarte **Basic (Grundeinstellungen)** den **Zoom** mithilfe des Schiebereglers ein.
Klicken Sie auf die Schaltflächen **<** oder **>**, um die Zoomposition einen Schritt in die jeweilige Richtung zu bewegen.
Klicken Sie auf die Schaltflächen **<<** oder **>>**, um die Zoomposition mehrere Schritte in die jeweilige Richtung zu bewegen.

Beachten

Während der automatischen Fokussierung dürfen vor der Kamera keine Bewegungen erfolgen.

3. Klicken Sie auf **Perform autofocus (Automatisch fokussieren)**.
4. Wenn das Ergebnis nicht optimal ist, rufen Sie die Registerkarte **Advanced (Erweitert)** auf.

Auf der Registerkarte **Advanced (Erweitert)** kann der Fokus manuell eingestellt werden:

1. Klicken Sie auf **Open iris (Blende öffnen)**, um die Blende in der Maximalstellung zu öffnen. Dadurch wird die geringste Schärfentiefe erreicht, wodurch für die Fokussierung die optimalen Bedingungen gegeben sind.
2. Der Fokus wird im Fenster **Focus (Fokus)** eingestellt. Mithilfe der Maus können Sie das Fokusfenster verschieben und dessen Größe verändern.
3. Wählen Sie in der Leiste **Focus position (Fokusposition)** den gewünschten Fokus aus.
Klicken Sie auf die Schaltflächen < oder >, um die Fokusposition einen Schritt in die jeweilige Richtung zu bewegen.
Klicken Sie auf die Schaltflächen << oder >>, um die Fokusposition mehrere Schritte in die jeweilige Richtung zu bewegen.
4. Klicken Sie auf **Enable iris (Blende aktivieren)**, sobald Sie zufrieden sind.

Zugriff auf das Produkt

Für die Suche nach Axis Produkten im Netzwerk und zur Zuweisung einer IP-Adresse unter Windows® werden AXIS IP Utility und AXIS Camera Management empfohlen. Beide Anwendungen sind kostenlos und können von unserer Website unter www.axis.com/techsup heruntergeladen werden.

Das Produkt ist mit den meisten Standard-Betriebssystemen und Browsern kompatibel. Empfohlen werden die Browser

- Internet Explorer® unter Windows®
- Safari® unter OS X®
- Chrome™ oder Firefox® unter anderen Betriebssystemen

Weitere Informationen zur Nutzung dieses Produkts finden Sie im Benutzerhandbuch unter www.axis.com.

Zurücksetzen auf Werkseinstellungen

Wichtig

Das Zurücksetzen auf die Werkseinstellungen sollte mit Vorsicht verwendet werden. Beim Zurücksetzen auf die Werkseinstellungen werden alle Einstellungen einschließlich der IP-Adresse auf die Werkseinstellungen zurückgesetzt.

Beachten

Die Software-Tools für Installation und Verwaltung sind über die Supportseiten unter www.axis.com/techsup verfügbar.

So wird das Produkt auf die Werkseinstellungen zurückgesetzt:

1. Trennen Sie das Produkt von der Stromversorgung.
2. Halten Sie die Steuertaste gedrückt und stecken Sie den Netzstecker wieder ein. Siehe *Übersicht über die Hardware auf Seite 44*.
3. Halten Sie die Steuertaste etwa 15 bis 30 Sekunden gedrückt, bis die LED-Statusanzeige gelb blinkt.
4. Lassen Sie die Steuertaste los. Der Vorgang ist abgeschlossen, wenn die LED-Statusanzeige grün leuchtet. Das Produkt wurde auf die Werkseinstellungen zurückgesetzt. Wenn kein DHCP-Server im Netzwerk verfügbar ist, lautet die Standard-IP-Adresse 192.168.0.90.
5. Verwenden Sie die Software-Tools für Installation und Verwaltung, um eine IP-Adresse zuzuweisen, ein Kennwort einzurichten und auf den Videostream zuzugreifen.

Die Parameter können auch über die Weboberfläche auf die Werkseinstellungen zurückgesetzt werden. Rufen Sie **Setup > System Options > Maintenance (Setup > Systemoptionen > Wartung)** auf und klicken Sie auf **Default (Standard)**.

Weitere Informationen

Unter www.axis.com finden Sie die neuste Version dieses Dokuments.

Das Benutzerhandbuch steht unter www.axis.com zur Verfügung.

Unter www.axis.com/techsup finden Sie Firmware-Aktualisierungen für Ihre Netzwerkprodukte. Um die aktuell installierte Firmware-Version zu sehen, gehen Sie auf **Setup > About (Setup > Über)**.

Besuchen Sie das Axis-Schulungszentrum www.axis.com/academy für anregende Schulungen, Webinare, Lernprogramme und Anleitungen.

Gewährleistungsinformationen

Informationen zur Gewährleistung der Axis Produkte und andere, hierzu relevante Informationen, finden Sie unter www.axis.com/warranty/

Informazioni di sicurezza

Leggere con attenzione questa guida all'installazione prima di installare il dispositivo. Conservare questo documento per usi futuri.

Livelli di pericolo

⚠ PERICOLO

Indica una situazione pericolosa che, se non evitata, provoca morte o lesioni gravi.

⚠ AVVERTENZA

Indica una situazione pericolosa che, se non evitata, può provocare la morte o lesioni gravi.

⚠ ATTENZIONE

Indica una situazione pericolosa che, se non evitata, può provocare lesioni medie o minori.

AWISO

Indica una situazione che, se non evitata, può danneggiare la proprietà.

Altri livelli di messaggio

Importante

Indica informazioni importanti, essenziali per il corretto funzionamento del dispositivo.

Nota

Indica informazioni utili che aiutano ad ottenere il massimo risultato dal dispositivo.

Informazioni di sicurezza

AWISO

- Il dispositivo Axis deve essere utilizzato in conformità alle leggi e alle disposizioni locali.
- Per utilizzare il dispositivo Axis in ambienti esterni, o in ambienti simili, deve essere installato in una custodia per esterni approvata.
- Conservare il dispositivo Axis in un ambiente asciutto e ventilato.
- Evitare di esporre il dispositivo Axis a urti o pressioni eccessive.
- Non installare il dispositivo su supporti, superfici o pareti instabili.
- Utilizzare solo strumenti applicabili quando si installa il dispositivo Axis. Se si utilizza una forza eccessiva con strumenti non adatti è possibile causare danni al dispositivo.
- Non utilizzare sostanze chimiche, agenti caustici o detergenti aerosol.
- Utilizzare un panno pulito inumidito in acqua pura per la pulizia.
- Utilizzare solo accessori compatibili con le specifiche tecniche del dispositivo. Questi possono essere forniti da Axis o da terze parti.
- Utilizzare solo parti di ricambio fornite o consigliate da Axis.
- Non tentare di riparare il dispositivo da soli. Contattare l'assistenza o il rivenditore Axis per questioni relative alla manutenzione.

Trasporto

AWISO

- Durante il trasporto del dispositivo Axis, utilizzare l'imballaggio originale o equivalente per evitare danni al dispositivo.

Batteria

Questo dispositivo Axis utilizza una cella ricaricabile ML614R come alimentazione per il suo real-time clock (RTC) interno. In condizioni normali questa batteria avrà una durata minima di due settimane.

Batteria a bottone al litio 3,0 V contengono 1,2-dimetossietano; etere dimetilico di glicole etilenico (EGDME), CAS n. 110-71-4.

⚠ AVVERTENZA

Smaltire le batterie usate secondo le istruzioni del produttore.

Guida all'installazione

La presente Guida all'installazione fornisce le istruzioni necessarie per installare la telecamera di rete AXIS M1145/M1145-L nella rete in uso. Per ulteriori informazioni sull'utilizzo del prodotto, consultare la Guida per l'utente disponibile all'indirizzo www.axis.com

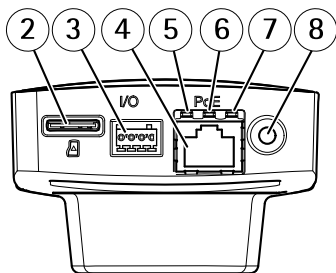
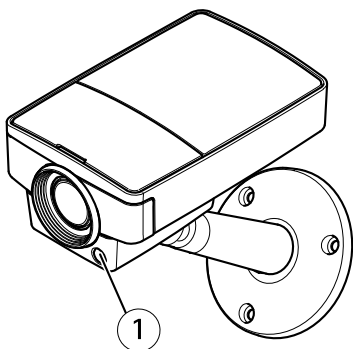
Procedura di installazione

1. Assicurarsi che il contenuto della confezione, gli strumenti e altri materiali necessari per l'installazione siano in ordine. Consultare *pagina 61*.
2. Studiare la descrizione dell'hardware. Consultare *pagina 62*.
3. Studiare le specifiche. Consultare *pagina 66*.
4. Installare l'hardware. Consultare *pagina 70*.
5. Accedere al dispositivo. Consultare *pagina 71*.

Contenuto della confezione

- Telecamera di rete AXIS M1145/AXIS M1145-L
- Cavalletto
- Morsettiera I/O a 4 pin per collegare dispositivi esterni a connettore I/O
- Materiale cartaceo
 - Guida all'installazione (questo documento)
 - Etichetta aggiuntiva con numero di serie (2)
 - Chiave di autenticazione AVHS

Panoramica dell'hardware



- 1 Sensore della luce (solo per AXIS M1145-L)
- 2 Slot per scheda microSD
- 3 Connettore I/O
- 4 Connettore di rete
- 5 LED di rete
- 6 LED di stato
- 7 LED di alimentazione
- 8 Pulsante di comando

Indicatori LED

Nota

- Lo stato del LED può essere configurato per essere spento durante il normale funzionamento. Per configurarlo, selezionare **Setup > System Options > Ports & Devices > LED (Configurazione > Opzioni di sistema > Porte & Dispositivi > LED)**. Per ulteriori informazioni, consultare l'aiuto in linea.
- Il LED di stato può essere configurato per lampeggiare quando un evento è attivo.
- Il LED di stato può essere configurato per lampeggiare per identificare l'unità. Andare su **Setup > System Options > Maintenance (Configurazione > Opzioni di sistema > Manutenzione)**.

LED di stato	Indicazione
Verde	Luce verde fissa: condizioni di normale utilizzo.
Giallo	Luce fissa durante l'avvio. Lampeggia durante il ripristino delle impostazioni.
Rosso	Lampeggia in rosso se l'aggiornamento del firmware non è andato a buon fine.

Nota

Il LED di rete può essere disattivato in modo da non lampeggiare in caso di traffico di rete. Per configurarlo, selezionare **Setup > System Options > Ports & Devices > LED (Configurazione > Opzioni di sistema > Porte & Dispositivi > LED)**. Per ulteriori informazioni, consultare l'aiuto in linea.

LED di rete	Indicazione
Verde	Luce fissa per connessione di rete a 1 Gbit/s. Luce lampeggiante: attività di rete.
Giallo	Luce fissa per connessione di rete a 10/100 Mbit/s. Luce lampeggiante: attività di rete.
Spento	Assenza di connessione.

Nota

Il LED di alimentazione può essere configurato per essere spento durante il normale funzionamento. Per configurarlo, selezionare **Setup > System Options > Ports & Devices > LED (Configurazione > Opzioni di sistema > Porte & Dispositivi > LED)**. Per ulteriori informazioni, consultare l'aiuto in linea.

LED di alimentazione	Indicazione
Verde	Normale utilizzo.
Giallo	Luce lampeggiante verde/gialla: aggiornamento firmware.

Connettori e pulsanti

Per le specifiche e le condizioni di funzionamento, consultare *pagina 66*.

Connettore di rete

Connettore Ethernet RJ45 con Power over Ethernet (PoE+).

AWISO

A causa di normative locali o condizioni ambientali ed elettriche in cui il dispositivo deve essere utilizzato, può essere opportuno o necessario l'utilizzo di un cavo di rete schermato (STP). Tutti i cavi di rete del dispositivo posizionati all'aperto o in ambienti elettrici in condizioni difficili sono destinati al loro uso specifico. Accertarsi che i dispositivi di rete siano installati secondo le istruzioni del produttore. Per maggiori informazioni sui requisiti normativi, consultare *Electromagnetic Compatibility (EMC) 2*.

Connettore I/O

Utilizzare con dispositivi esterni in combinazione con, ad esempio, allarmi antimanomissione, rilevazione del movimento, attivazione di eventi, registrazione temporizzata e notifiche di allarme. Oltre al punto di riferimento 0 V CC e all'alimentazione (uscita CC), il connettore I/O fornisce l'interfaccia per:

- **Uscita digitale** – Per collegare dispositivi esterni come relè o LED. Le periferiche collegate possono essere attivate tramite VAPIX® API (interfaccia per la programmazione di applicazioni), tramite i pulsanti di comando della pagina Live View (Immagini dal vivo) oppure tramite l'opzione Action Rule (regola di azione). L'uscita verrà visualizzata come attiva (visualizzata in **System Options > Ports & Devices (Opzioni di Sistema > Porte e Dispositivi)**) se il dispositivo di allarme è attivato.
- **Ingresso digitale** – Ingresso allarme utilizzabile per collegare le periferiche, che può passare dal circuito chiuso al circuito aperto, ad esempio: Sensori di movimento (PIR), contatti porta/finestra, rilevatori di rottura vetri e così via. Dopo la ricezione del segnale lo stato cambia e l'ingresso diventa attivo (visualizzato in **System Options > Ports & Devices (Opzioni di Sistema > Porte e Dispositivi)**).

Slot per scheda SD

AWISO

- Rischio di danni alla scheda SD. Non utilizzare strumenti appuntiti e non esercitare eccessiva forza durante l'inserimento o la rimozione della scheda SD.
- Rischio di perdita di dati. Per prevenire il danneggiamento dei dati, la scheda SD deve essere scollegata prima della rimozione. Per scollegare, andare a **Setup > System Options > Storage > SD Card (Configurazione > Opzioni di sistema > Archiviazione > Scheda SD)** e fare clic su **Unmount (Smonta)**.

Questo dispositivo supporta schede microSD/microSDHC/microSDXC (scheda di memoria non inclusa).

Per i consigli sulla scheda SD, visitare il sito Web www.axis.com.

Pulsante di comando

Per l'ubicazione del pulsante di comando, vedere *Panoramica dell'hardware alla pagina 62*.

Il pulsante di comando viene utilizzato per:

- Ripristino del dispositivo alle impostazioni predefinite di fabbrica. Consultare *pagina 72*.
- Collegamento a un servizio AXIS Video Hosting System o AXIS Internet Dynamic DNS Service. Per ulteriori informazioni su questi servizi, consultare il Manuale Utente.

Dati tecnici

Il dispositivo Axis è destinato all'uso interno.

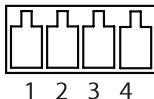
Dispositivo	Temperatura	Umidità
AXIS M1145	0 °C a 50 °C (32 °F a 122 °F)	20-80% (umidità relativa senza condensa)
AXIS M1145-L	0 °C a 40 °C (32 °F a 104 °F)	

Dispositivo	PoE
AXIS M1145	Power over Ethernet (PoE) IEEE 802.3af/802.3at tipo 1 classe 2
AXIS M1145-L	Power over Ethernet (PoE) IEEE 802.3af/802.3at tipo 1 classe 3

Connettori

Connettore I/O

Morsettiera a 4 pin



Per un esempio di schema, consultare *Schema delle connessioni alla pagina 69*.

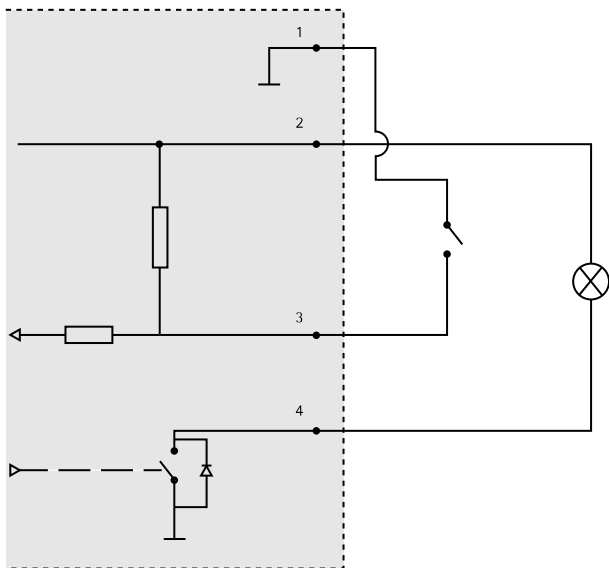
Funzione	P-in	Note	Specifiche
0 V CC (-)	1		0 V CC

Uscita CC	2	Il pin può essere utilizzato anche per alimentare una periferica ausiliaria. Nota: usare questo pin solo come uscita alimentazione.	3,3 V CC Carico massimo = 50 mA
Ingresso digitale	3	Collegare al pin 1 per attivarlo oppure lasciarlo isolato (scollegato) per disattivarlo	Da 0 a max 40 V CC
Uscita digitale	4	Collegare al pin 1 quando attiva, isolata (scollegata) quando inattiva. Se utilizzata con un carico induttivo, ad esempio un relè esterno, è necessario collegare un diodo in parallelo	Da 0 a max 40 V CC, open-drain, 100 mA

al carico per proteggere il dispositivo da sovratensioni.

Schema delle connessioni

Connettore I/O



- 1 0 V CC (-)
- 2 Uscita CC 3,3 V, max 50 mA
- 3 Ingresso digitale da 0 a max 40 V CC

- 4 *Ingresso digitale da 0 a max 40 V CC, open-drain, 100 mA*

Installazione dell'hardware

1. Fissare il supporto alla telecamera avvitandolo su di essa. Per il montaggio a parete, fissare prima il supporto al muro, usando 3 viti appropriate.
2. Collegare il cavo di rete al connettore di rete sull'unità telecamera.
3. Verificare che i LED indichino le condizioni di funzionamento corrette. Consultare *Indicatori LED alla pagina 63*.

Nota

Assicurarsi che il sensore della luce non sia coperto. Ciò potrebbe influire sul rendimento e portare a cambi giorno/notte non reali.

Impostare zoom e messa a fuoco

1. Andare a **Video (Video) > Focus & Zoom (Messa a fuoco e zoom)**.
2. Nella scheda **Basic (Base)**, impostare il livello di **zoom** utilizzando il cursore.
Fare clic sui pulsanti < o > per spostare la posizione dello zoom di un passo.
Fare clic sui pulsanti << o >> per spostare la posizione dello zoom di più passi.

Nota

Evitare i movimenti davanti alla telecamera durante l'esecuzione della messa a fuoco automatica.

3. Fare clic su **Perform autofocus (Esegui messa a fuoco automatica)**.
4. Se con la messa a fuoco automatica i risultati non sono soddisfacenti, passare alla scheda **Advanced (Avanzate)**.

Nella scheda **Advanced (Avanzate)** la messa a fuoco può essere regolata manualmente:

1. Fare clic su **Open iris (Apri diaframma)** per aprire il diaframma fino alla sua posizione massima. In questo modo, viene utilizzata la minima profondità di campo, offrendo le condizioni migliori per una corretta messa a fuoco.
2. La messa a fuoco viene impostata nella finestra **Focus (Messa a fuoco)**. Utilizzare il mouse per spostare e ridimensionare la finestra di messa a fuoco.
3. Per mettere a fuoco su un'ubicazione desiderata, fare clic nella barra **Focus position (Posizione di messa a fuoco)**.
Fare clic sui pulsanti < o > per spostare la posizione di messa a fuoco di un passo.
Fare clic sui pulsanti << o >> per spostare la posizione di messa a fuoco di più passi.
4. Al termine, fare clic su **Enable iris (Abilita diaframma)** per abilitare il diaframma.

Accedere al dispositivo

AXIS IP Utility e AXIS Camera Management sono i metodi consigliati per trovare i dispositivi Axis in rete e assegnare loro un indirizzo IP in Windows®. Queste applicazioni sono entrambe gratuite e possono essere scaricate da www.axis.com/techsup

Il dispositivo può essere utilizzato con la maggior parte dei sistemi operativi e dei browser. I browser consigliati sono

- Internet Explorer® con Windows®
- Safari® con OS X®
- Chrome™ o Firefox® con altri sistemi operativi.

Per ulteriori informazioni sull'utilizzo del dispositivo, consultare la guida per l'utente disponibile sul sito Web www.axis.com

Ripristino dei valori predefiniti di fabbrica

Importante

Il ripristino delle impostazioni di fabbrica deve essere usato con cautela. Un ripristino delle impostazioni di fabbrica consentirà di ripristinare le impostazioni di fabbrica per tutti i parametri, incluso l'indirizzo IP.

Nota

Gli strumenti per l'installazione e la gestione del software sono disponibili nelle pagine dedicate all'assistenza sul sito Web www.axis.com/techsup.

Per ripristinare il dispositivo alle impostazioni predefinite di fabbrica:

1. Scollegare l'alimentazione dal dispositivo.
2. Tenere premuto il pulsante di controllo e ricollegare l'alimentazione. Consultare *Panoramica dell'hardware alla pagina 62*.
3. Tenere premuto il pulsante di controllo per 15-30 secondi fino a quando l'indicatore LED di stato lampeggerà in giallo.
4. Rilasciare il pulsante di comando. Il processo è completo quando il LED di stato diventerà verde. Il dispositivo è stato reimpostato alle impostazioni di fabbrica predefinite. Se nessun server DHCP è disponibile in rete, l'indirizzo IP predefinito è 192 . 168 . 0 . 90.
5. Mediante gli strumenti per l'installazione e la gestione del software, assegnare un indirizzo IP, impostare la password e accedere al flusso video.

È anche possibile reimpostare i parametri alle impostazioni predefinite di fabbrica mediante l'interfaccia Web. Andare a **Setup > System Options > Maintenance (Configurazione > Opzioni di sistema > Manutenzione)** e fare clic su **Default (Predefinito)**.

Ulteriori Informazioni

Per la versione più recente di questo documento, visitare il sito all'indirizzo www.axis.com

Il Manuale per l'utente è disponibile all'indirizzo www.axis.com

Visitare il sito all'indirizzo www.axis.com/techsup per verificare se sono stati pubblicati aggiornamenti del firmware per il proprio dispositivo di rete. Per conoscere la versione del firmware installata, andare su **Setup > About (Impostazioni > Informazioni su)**.

Visitare il centro di apprendimento Axis alla pagina www.axis.com/academy per servizi di formazione utili, webinar, tutorial e guide.

Informazioni sulla garanzia

Per informazioni sulla garanzia del dispositivo Axis e informazioni ad esso relative, consultare la pagina www.axis.com/warranty/

Información de seguridad

Lea esta Guía de instalación con atención antes de instalar el producto. Guarde la Guía de instalación para poder consultarla en otro momento.

Niveles de peligro

⚠ PELIGRO

Indica una situación peligrosa que, si no se evita, provocará lesiones graves o la muerte.

⚠ ADVERTENCIA

Indica una situación peligrosa que, si no se evita, puede provocar lesiones graves o la muerte.

⚠ ATENCIÓN

Indica una situación peligrosa que, si no se evita, puede provocar lesiones moderadas o leves.

AVISO

Indica una situación peligrosa que, si no se evita, puede provocar daños materiales.

Otros niveles de mensaje

Importante

Indica información importante que es fundamental para que el producto funcione correctamente.

Nota

Indica información útil que ayuda a aprovechar el producto al máximo.

Instrucciones de seguridad

AVISO

- El producto de Axis debe utilizarse de acuerdo con las leyes y normativas locales.
- Para usar el producto de Axis en exteriores, o en entornos similares, debe instalarse en una carcasa exterior aprobada.
- Almacene el producto de Axis en un entorno seco y ventilado.
- Evite la exposición del producto de Axis a choques o a una fuerte presión.
- No instale el producto en soportes, superficies o paredes inestables.
- Utilice solo las herramientas correspondientes cuando instale el producto de Axis. La aplicación de una fuerza excesiva con herramientas eléctricas puede provocar daños en el producto.
- No utilice limpiadores en aerosol, agentes cáusticos ni productos químicos.
- Limpie con un paño limpio humedecido con agua pura.
- Utilice solo accesorios que cumplan con las especificaciones técnicas del producto. Estos accesorios los puede proporcionar Axis o un tercero.
- Utilice solo piezas de repuesto proporcionadas o recomendadas por Axis.
- No intente reparar el producto usted mismo. Póngase en contacto con el servicio de asistencia técnica de Axis o con su distribuidor de Axis para tratar asuntos de reparación.

Transporte

AVISO

- Cuando transporte el producto de Axis, utilice el embalaje original o un equivalente para evitar daños en el producto.

Batería

Este producto de Axis utiliza una batería recargable ML614R como fuente de alimentación del reloj interno. En condiciones normales, esta batería durará un mínimo de dos semanas.

Las pilas de botón de litio de 3,0 V contienen 1,2-dimetoxietano; éter dimetilico de etilenglicol (EGDME), n.º CAS 110-71-4.

⚠ ADVERTENCIA

Deseche las baterías usadas conforme a las instrucciones del fabricante.

Guía de instalación

Esta Guía de instalación incluye las instrucciones necesarias para instalar la cámara de red AXIS M1145/M1145-L en su red. Para conocer otros aspectos de uso del producto, consulte el Manual del usuario disponible en www.axis.com

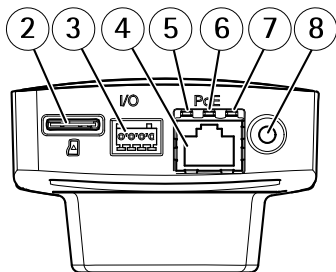
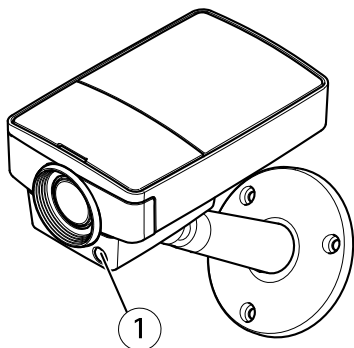
Pasos de la instalación

1. Asegúrese de que dispone del contenido del paquete, las herramientas y los demás materiales necesarios para la instalación. *Vea página 79.*
2. Estudie la información general del hardware. *Vea página 80.*
3. Estudie las especificaciones. *Vea página 84.*
4. Instale el hardware. *Vea página 88.*
5. Acceda al producto. *Vea página 89.*

Contenido del paquete

- Cámara de red AXIS M1145/AXIS M1145-L
- Soporte de la cámara
- Bloque de terminales de E/S de cuatro pines para conectar dispositivos externos al conector de E/S
- Materiales impresos
 - Guía de instalación (este documento)
 - Etiqueta adicional con el número de serie (2)
 - Clave de autenticación AVHS

Información general del hardware



- 1 *Sensor de luz (solo para AXIS M1145-L)*
- 2 *Ranura para tarjetas microSD*
- 3 *Conector de E/S*
- 4 *Conector de red*
- 5 *LED de red*
- 6 *LED de estado*
- 7 *LED de alimentación*
- 8 *Botón de control*

Indicadores LED

Nota

- Se puede configurar el LED de estado para que se apague durante el funcionamiento normal. Para ello, vaya a **Setup > System Options > Ports & Devices > LED (Configuración > Opciones del sistema > Puertos y dispositivos > LED)**. Vea la ayuda en línea para obtener más información.
- Se puede configurar el LED Estado para que parpadee mientras haya un evento activo.
- Se puede configurar el LED de estado para que parpadee e identifique la unidad. Vaya a **Setup > System Options > Maintenance (Configuración > Opciones del sistema > Mantenimiento)**.

LED de estado	Indicación
Verde	Verde fijo para indicar un funcionamiento normal.
Ámbar	Fijo durante el inicio. Parpadea al restaurar valores de configuración.
Rojo	Parpadea en rojo si se produce un error durante la actualización del firmware.

Nota

El LED de red puede desactivarse para que no parpadee cuando exista tráfico de red. Para ello, vaya a **Setup > System Options > Ports & Devices > LED (Configuración > Opciones del sistema > Puertos y dispositivos > LED)**. Vea la ayuda en línea para obtener más información.

LED de red	Indicación
Verde	Fijo para indicar una conexión a una red de 1 Gbits/s. Parpadea cuando hay actividad de red.
Ámbar	Fijo para indicar una conexión a una red de 10/100 Mbits/s. Parpadea cuando hay actividad de red.
Apagado	No hay conexión a la red.

Nota

Se puede configurar el indicador LED de alimentación para que se apague durante el funcionamiento normal. Para ello, vaya a **Setup > System Options > Ports & Devices > LED (Configuración > Opciones del sistema > Puertos y dispositivos > LED)**. Vea la ayuda en línea para obtener más información.

LED de alimentación	Indicación
Verde	Funcionamiento normal.
Ámbar	Parpadea en verde/ámbar durante la actualización del firmware.

Conectores y botones

Para conocer las especificaciones y las condiciones de funcionamiento, vea *página 84*.

Conector de red

Conector Ethernet RJ45 con alimentación a través de Ethernet (PoE).

AVISO

Debido a la normativa local o a las condiciones ambientales y eléctricas en las que se vaya a utilizar el producto, puede que sea adecuado u obligatorio el uso de un cable de red blindado (STP). Todos los cables que conectan el producto a la red y que se utilicen en exteriores o en entornos eléctricos exigentes deberán estar blindados y diseñados para su uso específico. Asegúrese de que los dispositivos de red estén instalados en conformidad con las instrucciones del fabricante. Para obtener información sobre los requisitos normativos, vea *Electromagnetic Compatibility (EMC) 2*.

Conector de E/S

Se utiliza con dispositivos externos combinados, por ejemplo, con alarmas antimanipulación, detección de movimiento, activación de eventos, grabación de intervalos de tiempo y notificaciones de alarma. Además del punto de referencia de 0 V CC y la potencia (salida de CC), el conector de E/S ofrece la interfaz para:

- **Salida digital:** para conectar dispositivos externos como relés y LED. Los dispositivos conectados se pueden activar mediante la Interfaz de programación de aplicaciones (API) VAPIX®, los botones de salida de la página Live View o mediante una regla de acción. La salida se mostrará activa (se indica en **System Options > Ports & Devices (Opciones del sistema > Puertos y dispositivos)**) si el dispositivo de alarma está activado.
- **Entrada digital:** una entrada de alarma para conectar dispositivos que puedan alternar circuitos cerrados y abiertos, como detectores PIR, contactos de puertas y ventanas, detectores de rotura de cristales, etc. Cuando se recibe una señal, el estado cambia y la entrada se vuelve activa (se indica en **System Options > Ports & Devices (Opciones del sistema > Puertos y dispositivos)**).

Ranura para tarjetas SD

AVISO

- Riesgo de daños en la tarjeta SD. No utilice herramientas afiladas ni ejerza demasiada fuerza al insertar o retirar la tarjeta SD.
- Riesgo de pérdida de datos. Antes de retirar la tarjeta SD, es preciso desmontarla para evitar que los datos resulten dañados. Para desmontarla, vaya a **Setup > System Options > Storage > SD Card (Configuración > Opciones del sistema > Almacenamiento > Tarjeta SD)** y haga clic en **Unmount (Desmontar)**.

Este producto admite tarjetas microSD/microSDHC/microSDXC (no incluidas).

Para conocer las recomendaciones de tarjeta SD, consulte www.axis.com.

Botón de control

Para conocer la ubicación del botón de control, vea *Información general del hardware en la página 80*.

El botón de control se utiliza para lo siguiente:

- Restablecer el producto a la configuración predeterminada de fábrica. Consulte *página 90*.
- Conectarse a un servicio AXIS Video Hosting System o al Servicio de DNS dinámico de Internet de AXIS. Para obtener más información sobre estos servicios, consulte el Manual del usuario.

Especificaciones

El producto de Axis se ha creado para su uso en interiores.

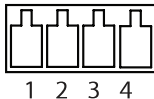
Producto	Temperatura	Humedad
AXIS M1145	0 °C - 50 °C	20 % - 80 % de humedad relativa (sin condensación)
AXIS M1145-L	0 °C - 40 °C	

Producto	PoE
AXIS M1145	Alimentación a través de Ethernet (PoE) IEEE 802.3af/802.3at Tipo 1 Clase 2
AXIS M1145-L	Alimentación a través de Ethernet (PoE) IEEE 802.3af/802.3at Tipo 1 Clase 3

Conectores

Conector de E/S

Bloque de terminales de 4 pines



Para ver un ejemplo del diagrama, consulte *Diagramas de conexión en la página 87*.

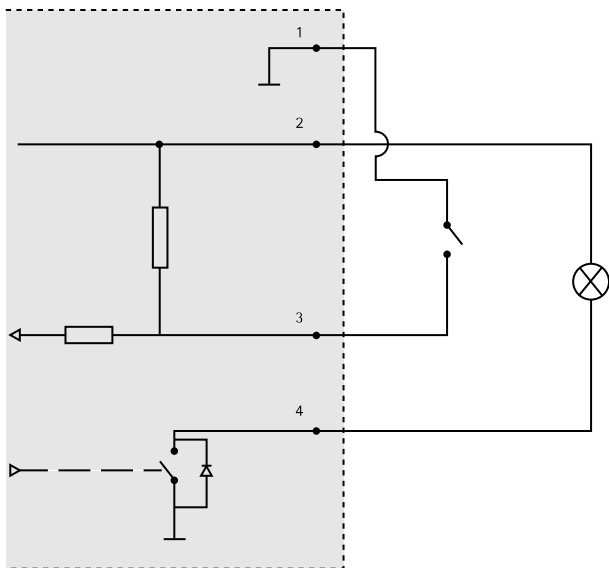
Función	P- i- n	Notas	Especificaciones
0 V CC (-)	1		0 V CC

Salida de CC	2	Se puede utilizar para conectar el equipo auxiliar. Nota: Este pin solo se puede utilizar como salida.	3,3 V CC Carga máx. = 50 mA
Entrada digital	3	Conéctela al pin 1 para activarla o déjela suelta (desconectada) para desactivarla	De 0 a 40 V CC máx.
Salida digital	4	Conectada al pin 1 cuando se activa y suelta (sin conectar) cuando está desactivada. Si se utiliza con una carga inductiva (por ejemplo, un relé), debe conectarse un diodo en paralelo	De 0 a 40 V CC máx., drenaje abierto, 100 mA

a la carga como protección ante transitorios de tensión.

Diagramas de conexión

Conector de E/S



- 1 0 V CC (-)
- 2 Salida de CC: 3,3 V, 50 mA máx.
- 3 Entrada digital: de 0 a 40 V CC máx.

- 4 *Salida digital: de 0 a 40 V CC máx., colector abierto, 100 mA*

Instalación del hardware

1. Fije el soporte a la cámara atornillándolo. Para el montaje en la pared, fije primero el soporte a la pared con tres tornillos adecuados.
2. Conecte el cable de red al conector de red de la unidad de la cámara.
3. Compruebe que los indicadores LED indican las condiciones correctas. Vea *Indicadores LED en la página 81*.

Nota

Asegúrese de que el sensor de luz no esté tapado. Esto podría afectar a su funcionamiento y producir falsas conmutaciones día/noche.

Ajuste del enfoque y el zoom

1. Vaya a **Video (Vídeo) > Focus & Zoom (Enfoque y zoom)**.
2. En la pestaña **Basic (Configuración básica)**, establezca el nivel del **zoom** utilizando el control deslizante.
Haga clic en los botones < o > para mover la posición del zoom un paso.
Haga clic en los botones << o >> para mover la posición del zoom varios pasos.

Nota

Deben evitarse los movimientos delante de la cámara durante el enfoque automático.

3. Haga clic en **Perform auto focus (Realizar enfoque automático)**.
4. Si no está satisfecho con el enfoque automático, vaya a la pestaña **Advanced (Configuración avanzada)**.

En la pestaña **Advanced (Configuración avanzada)**, se puede ajustar el enfoque manualmente:

1. Haga clic en **Open iris (Abrir iris)** para abrir el iris hasta su máxima posición. Con esto se consigue la menor profundidad de campo posible y, por tanto, las condiciones óptimas de enfoque.
2. El enfoque se establece en la **Focus window (Ventana de enfoque)**. Utilice el ratón para mover la ventana de enfoque y cambiar su tamaño.
3. Haga clic en la barra **Focus position (Posición de enfoque)** para enfocar una localización concreta.
Haga clic en los botones < o > para mover la posición del enfoque un paso.
Haga clic en los botones << o >> para mover la posición del enfoque varios pasos.
4. Cuando esté satisfecho, haga clic en **Enable iris (Activar iris)** para activar el iris.

Acceso al producto

Se recomiendan **AXIS IP Utility** y **AXIS Camera Management** como métodos para buscar los productos de Axis en la red y asignarles direcciones IP en Windows®. Ambas aplicaciones son gratuitas y pueden descargarse de www.axis.com/techsup

El producto se puede utilizar con la mayoría de los sistemas operativos y navegadores. Los navegadores recomendados son

- Internet Explorer® con Windows®
- Safari® con OS X®
- Chrome™ o Firefox® con otros sistemas operativos.

Para obtener más información sobre el uso del producto, consulte el Manual del usuario, disponible en www.axis.com.

Restablecimiento a la configuración predeterminada de fábrica

Importante

Hay que tener cuidado al restablecer la configuración predeterminada de fábrica. Todos los valores, incluida la dirección IP, se restablecerán a la configuración predeterminada de fábrica.

Nota

Las herramientas del software de instalación y gestión están disponibles en las páginas de asistencia técnica en www.axis.com/techsup.

Para restablecer el producto a la configuración predeterminada de fábrica:

1. Desconecte la alimentación del producto.
2. Mantenga pulsado el botón de control y vuelva a conectar la alimentación. Vea *Información general del hardware en la página 80*.
3. Mantenga pulsado el botón de control durante 15-30 segundos hasta que el indicador LED de estado parpadee en ámbar.
4. Suelte el botón de control. El proceso finaliza cuando el indicador LED de estado se pone verde. El producto se ha restablecido a la configuración predeterminada de fábrica. Si no hay ningún servidor DHCP disponible en la red, la dirección IP predeterminada es 192.168.0.90.
5. Utilice las herramientas del software de instalación y gestión para asignar una dirección IP, establecer la contraseña y acceder a la transmisión de vídeo.

También es posible restablecer los parámetros a los valores predeterminados de fábrica mediante la interfaz web. Vaya a **Setup > System Options > Maintenance (Configuración > Opciones del sistema > Mantenimiento)** y haga clic en **Default (Predeterminado)**.

Más información

Para consultar la versión más reciente de este documento, vaya a www.axis.com

El Manual de usuario se encuentra disponible en www.axis.com.

Visite www.axis.com/techsup para comprobar si existe un firmware actualizado disponible para su producto de red. Para ver la versión del firmware instalado actualmente, vaya a **Setup > About (Configuración > Acerca de)**.

Visite el centro de aprendizaje de www.axis.com/academy para consultar guías, tutoriales, seminarios web y cursos que pueden resultarle útiles.

Información de garantía

Para obtener más detalles sobre la garantía del producto Axis y la información relacionada con ella, consulte www.axis.com/warranty/

安全情報

本製品を設置する前に、このインストールガイドをよくお読みください。インストールガイドは、後で参照できるように保管しておいてください。

危険レベル

▲危険

回避しない場合、死亡または重傷につながる危険な状態を示します。

▲警告

回避しない場合、死亡または重傷につながるおそれのある危険な状態を示します。

▲注意

回避しない場合、軽傷または中程度の怪我につながるおそれのある危険な状態を示します。

注記

回避しない場合、器物の破損につながるおそれのある状態を示します。

その他のメッセージレベル

重要

製品を正しく機能させるために不可欠な重要情報を示します。

注意

製品を最大限に活用するために役立つ有用な情報を示します。

安全手順

注記

- 本製品は、お使いになる地域の法律や規制に準拠して使用してください。
- 本製品を屋外またはそれに準じる環境で使用する場合は、認定済みの屋外用筐体に収納して設置する必要があります。
- 本製品は乾燥した換気のよい環境に保管してください。
- 本製品に衝撃または強い圧力を加えないでください。
- 本製品を不安定なブラケット、表面、または壁に設置しないでください。
- 本製品を設置する際には、適切な工具のみを使用してください。電動工具を使用して過剰な力をかけると、製品が損傷することがあります。
- 化学薬品、腐食剤、噴霧式クリーナーは使用しないでください。
- 清掃には、きれいな水に浸した清潔な布を使用してください。
- 製品の技術仕様に準拠したアクセサリーのみを使用してください。これらのアクセサリーは、Axisまたはサードパーティから入手できます。
- Axisが提供または推奨する交換部品のみを使用してください。
- 製品を自分で修理しないでください。修理については、Axisサポートまたは販売代理店にお問い合わせください。

輸送

注記

- 本製品を運搬する際は、製品が損傷しないよう、元の梱包か同等の梱包を使用してください。

バッテリー

本製品は、内部リアルタイムクロック (RTC) 用電源として ML614R 充電式電池を使用しています。このバッテリーは、通常条件下で最低2週間使用できます。

リチウムコイン型3.0V電池は、1,2-ジメトキシエタン (エチレングリコールジメチルエーテル (EGDME)、CAS番号110-71-4) を含有しています。

警告

使用済みバッテリーは、メーカーの指示に従って廃棄してください。

インストールガイド

このインストールガイドでは、AXIS M1145/M1145-Lネットワークカメラをネットワークにインストールする手順について説明します。本製品の使用の詳細については、Axisのホームページ (www.axis.com) でユーザーズマニュアルを参照してください。

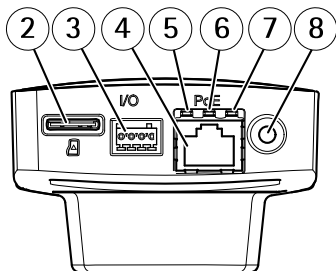
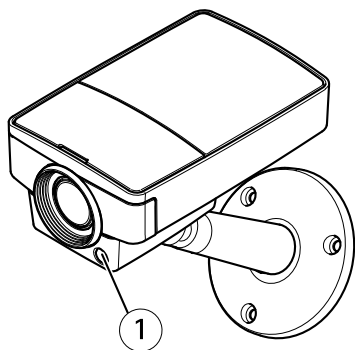
設置手順

1. パッケージの内容、ツールなど、設置に必要な物がそろっているかを確認します。97ページを参照してください。
2. ハードウェアの概要を確認します。98ページを参照してください。
3. 仕様を確認します。103ページを参照してください。
4. ハードウェアを設置します。106ページを参照してください。
5. 製品にアクセスします。107ページを参照してください。

パッケージの内容

- AXIS M1145/AXIS M1145-Lネットワークカメラ
- カメラスタンド
- 外部デバイスをI/Oコネクタに接続する4ピンI/Oコネクタブロック
- 印刷物
 - インストールガイド (本書)
 - 予備のシリアル番号ラベル (2枚)
 - AVHS認証キー

ハードウェアの概要



- 1 光センサー (AXIS M1145-Lのみ)
- 2 microSDカードスロット
- 3 I/Oコネクタ
- 4 ネットワークコネクタ
- 5 ネットワークLED
- 6 ステータスLED
- 7 電源LED
- 8 コントロールボタン

LEDインジケータ

注意

- ステータスLEDは、正常動作時に消灯させることができます。設定は、**[Setup - System Options - Ports & Devices - LED]** (設定 - システムオプション - ポートとデバイス - LED) で行います。詳細については、オンラインヘルプを参照してください。
- ステータスLEDは、イベントの発生時に点滅させることができます。
- ステータスLEDを点滅させ、本製品を識別できるように設定することができます。設定は、**[Setup - System Options - Maintenance]** (設定 - システムオプション - 保守) で行います。

ステータスLED	説明
緑	正常動作であれば緑色に点灯します。
黄	起動時に点灯し、設定の復元時には点滅します。
赤	ファームウェアのアップグレードに失敗すると、赤色で点滅します。

注意

ネットワークLEDは、ネットワークトラフィックがあるときに点滅しないように無効にすることができます。設定は、**[Setup - System Options - Ports & Devices - LED] (設定 - システムオプション - ポートとデバイス - LED)** で行います。詳細については、オンラインヘルプを参照してください。

ネットワークLED	説明
緑	1Gbit/sネットワークに接続している場合、点灯します。ネットワークパケットを送受信した場合、点滅します。
黄	10/100 Mbit/sネットワークに接続している場合、点灯します。ネットワークパケットを送受信した場合、点滅します。
無点灯	ネットワーク接続なし。

注意

電源LEDは、正常動作時に消灯させることができます。設定は、**[Setup - System Options - Ports & Devices - LED] (設定 - システムオプション - ポートとデバイス - LED)** で行います。詳細については、オンラインヘルプを参照してください。

電源LED	説明
緑	正常動作。
黄	ファームウェアアップグレード中は緑と黄の交互点滅。

コネクタとボタン

仕様と動作条件については、103ページを参照してください。

ネットワークコネクタ

RJ45イーサネットコネクタ、Power over Ethernet (PoE) 対応。

注記

本製品を使用する場所の地域条例、環境、電気的条件下によっては、シールドネットワークケーブル (STP) の使用が推奨または必須になります。本製品をネットワークに接続して屋外または電氣的に厳しい環境に配線する場合は、用途に合ったネットワークケーブルを使用してください。ネットワーク装置がメーカーの指示どおりに設置されていることを確認します。法的要件については、*Electromagnetic Compatibility (EMC) 2*を参照してください。

I/Oコネクタ

外部装置を接続し、カメラに対するいたずらの警報、動体検知、イベントトリガー、低速度撮影、アラーム通知などを使用することができます。I/Oコネクタは、0V DC基準点と電力 (DC出力) に加えて、以下のインターフェースを提供します。

- デジタル出力** — リレーやLEDなどの外部デバイスを接続します。接続されたデバイスは、VAPIX®アプリケーションプログラミングインターフェース (API)、[Live View] (ライブビュー) ページの出力ボタン、アクションルールを使用してアクティブにすることが

できます。アラームデバイスがアクティブな場合、出力がアクティブと表示されます (**System Options > Port & Devices** (システムオプション > ポートとデバイス) で表示)。

- **デジタル入力** — オープンサーキットとクローズサーキットの切り替えが可能なデバイスを接続するためのアラーム入力。たとえば、PIR、ドア/窓の接触、ガラス破壊検知などです。信号を受け取ると状態が変化し、入力がアクティブになります (**System Options > Ports & Devices** (システムオプション > ポートとデバイス) で表示)。

SDカードスロット

注記

- SDカード損傷の危険があります。SDカードの挿入と取り外しの際には、鋭利な工具を使用したり、過剰な力をかけないでください。
- データ損失の危険があります。データが破損しないように、SDカードはマウント解除してから取り外す必要があります。SDカードをアンマウントするには、**[Setup] (設定) > [System Options] (システムオプション) > [Storage] (ストレージ) > [SD Card] (SDカード)** を選択し、**[Unmount] (アンマウント)** をクリックします。

本製品は、microSD/microSDHC/microSDXCカードに対応しています (別売)。

推奨するSDカードについては、www.axis.comを参照してください

コントロールボタン

コントロールボタンの位置については、98ページの、ハードウェアの概要を参照してください。

コントロールボタンは、以下の用途で使用します。

- 製品を工場出荷時の設定にリセットする。108ページを参照してください。
- AXIS Video Hosting SystemサービスまたはAXIS Internet Dynamic DNSサービスに接続する。これらのサービスの詳細については、ユーザーズマニュアルを参照してください。

仕様

本製品は屋内用モデルです。

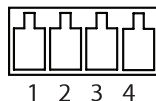
製品	温度	湿度
AXIS M1145	0~50 ° C	20~80% RH (結露不可)
AXIS M1145-L	0~40 ° C	

製品	PoE
AXIS M1145	Power over Ethernet (PoE) IEEE 802.3af/802.3at Type 1 Class 2
AXIS M1145-L	Power over Ethernet (PoE) IEEE 802.3af/802.3at Type 1 Class 3

コネクター

I/Oコネクタ

4ピンターミナルブロック

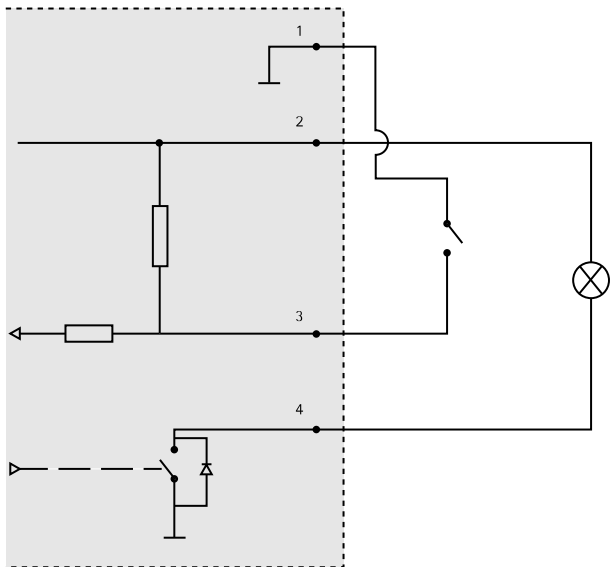


接続例の図については、105ページの、接続図を参照してください。

機能	ピン	備考	仕様
0VDC(-)	1		0VDC
DC出力	2	補助装置の電源供給に使用できません。 注: このピンは、電源出力としてのみ使用できます。	3.3VDC 最大負荷 = 50 mA
デジタル入力	3	動作させるにはピン1に接続し、動作させない場合はフロート状態(未接続)のままにします。	0~40VDC(最大)
デジタル出力	4	動作させるにはピン1に接続し、動作させない場合はフロート状態(未接続)にします。誘導負荷(例: リレー)とともに使用する場合は、過渡電圧から保護するため、ダイオードを負荷と並列に接続する必要があります。	0~40VDC(最大)、 オープンドレイン、 100 mA

接続図

I/Oコネクタ



- 1 0 VDC (-)
- 2 DC出力3.3 V、最大50 mA
- 3 デジタル出力0~最大40 VDC
- 4 デジタル出力0~40 VDC(最大)、オープンドレイン、100 mA

ハードウェアの設置

1. スタンドをカメラにネジで取り付けます。壁に設置する場合は、まず、スタンドを3本のネジで壁に取り付けます。
2. ネットワークケーブルをカメラユニットのネットワークコネクタに接続します。
3. LEDインジケーターが正常な状態を示すことを確認します。99ページの、LEDインジケーターを参照してください。

注意

光センサーが覆われていないことを確認します。覆われていると、光センサーの動作に影響し、デイナイト切り替えが適切に行われなくなる可能性があります。

フォーカスとズームの設定

1. **[Video] (ビデオ) > [Focus & Zoom] (フォーカスとズーム)** に移動します。
2. **[Basic] (基本設定)** タブで、スライダーを使用して**ズームレベル**を設定します。
<または>のボタンをクリックすると、ズーム位置が1段階移動します。
<<または>>のボタンをクリックすると、ズーム位置が何段階か移動します。

注意

オートフォーカスを実行するときには、カメラの前で動きが発生しないようにしてください。

3. **[Perform autofocus] (オートフォーカスを実行)** をクリックします。
4. オートフォーカスに満足できない場合は、**[Advanced] (高度な設定)** タブに移動します。

[Advanced] (高度な設定) タブでは、以下の手順でフォーカスを手動で調整することができます。

1. **[Open iris] (開く)** をクリックして、絞りを最大まで開きます。被写界深度が最小になり、焦点合わせに最適な条件になります。
2. フォーカスは、**フォーカスウィンドウ**で設定します。マウスを使用して、フォーカスウィンドウの移動やサイズの変更を行います。
3. **フォーカス位置**バーをクリックして、目的の位置に焦点を合わせます。
 <または>のボタンをクリックすると、フォーカス位置が1段階移動します。
 <<または>>のボタンをクリックすると、フォーカス位置が何段階か移動します。
4. 調整が終わったら、**[Enable iris] (絞り有効)** をクリックして絞りを有効にします。

製品へのアクセス

ネットワーク上でAxis製品を検索したり、Windows®でそれにIPアドレスを割り当てるには、AXIS IP UtilityまたはAXIS Camera Managementの使用をお勧めします。いずれのアプリケーションも無料で、www.axis.com/techsupからダウンロードできます

本製品は、ほとんどのオペレーティングシステムとブラウザーでご利用いただけます。推奨ブラウザは以下のとおりです。

- Internet Explorer® (Windows®の場合)
- Safari® (OS X®の場合)
- Chrome™またはFirefox® (その他のオペレーティングシステムの場合)

製品の使用の詳細については、Axisのホームページ (www.axis.com) でユーザーズマニュアルを参照してください

工場出荷時の設定にリセットする

重要

工場出荷時の設定へのリセットは慎重に行ってください。工場出荷時の設定へのリセットを行うと、IPアドレスを含むすべての設定が工場出荷時の値にリセットされます。

注意

www.axis.com/techsupのサポートページに、インストール・管理ソフトウェアツールが用意されています。

本製品を工場出荷時の設定にリセットするには、以下の手順を実行します。

1. 本製品の電源を切ります。
2. コントロールボタンを押し続けながら電源を再投入します。「98ページの、ハードウェアの概要」を参照してください。
3. ステータスLEDインジケータが黄色に点滅するまで、コントロールボタンを15~30秒間押し続けます。
4. コントロールボタンを離します。プロセスが完了すると、ステータスLEDが緑色に変わります。これで本製品は工場出荷時の設定にリセットされました。ネットワーク上に利用可能なDHCPサーバーがない場合、デフォルトのIPアドレスは192.168.0.90になります。
5. インストール・管理ソフトウェアツールを使用して、IPアドレスの割り当て、パスワードの設定、ビデオストリームへのアクセスを行います。

Webインターフェースを使用して、各種パラメーターを工場出荷時の設定に戻すこともできます。[Setup - System Options - Maintenance] (設定 - システムオプション - 保守) を選択し、[Default] (デフォルト) をクリックします。

関連情報

本書の最新バージョンについては、www.axis.comにアクセスしてください。

ユーザーズマニュアルは、www.axis.comで入手できます。

www.axis.com/techsuplにアクセスして、ご使用のネットワーク製品の新しいファームウェアがリリースされていないかを確認してください。現在インストールされているファームウェアのバージョンを確認するには、**[Setup - About] (設定 - バージョン情報)**を参照してください。

Axisラーニングセンター (www.axis.com/academy) にアクセスしてください。役に立つトレーニング、ウェブセミナー、チュートリアル、ガイドをご用意しています。

保証情報

Axisの製品保証と関連情報については、www.axis.com/warranty/をご覧ください

安全信息

安装该产品前请仔细通读该安装指南。请保管好安装指南以供以后查阅。

危险等级

▲ 危险

表示有危险的情形，如果不能避免，将导致死亡或严重的个人伤害。

▲ 警告

表示有危险的情形，如果不能避免，将导致死亡或严重的个人伤害。

▲ 小心

表示有危险的情形，如果不能避免，将导致轻微或中度的个人伤害。

注意

表示一种情形，如果不能避免，将导致对财产的损坏。

其它消息等级

重要

表示对于产品正常运行必不可少的重要信息。

备注

表示有助于充分利用产品的有用信息。

安全说明

注意

- 使用该安讯士产品必须符合当地法律法规要求。
- 如要在室外或相似环境中使用该安讯士产品，必须将其安装在符合标准的室外防护罩中。
- 安讯士产品应存放在干燥通风的环境中。
- 应避免对安讯士产品造成冲撞或重压。
- 不得将本产品安装于不稳固的支架、表面或墙面上。
- 安装安讯士产品时，请使用适用工具。使用电动工具时过度用力可能对产品造成损坏。
- 请勿使用化学制剂、腐蚀性制剂或气雾性清洁剂。
- 使用浸有净水的干净抹布进行清洁。
- 所用附件必须符合该产品的技术规格要求。可由安讯士或第三方供应商提供。
- 必须使用安讯士提供或推荐的零件。
- 请勿试图自己修理该产品。维修事务请联系安讯士支持人员或您的安讯士经销商。

运输

注意

- 安讯士产品运输途中，应使用其原包装或等效包装，以防对产品造成损坏。

电池

该安讯士产品使用 ML614R 可充电电池为内部实时时钟（RTC）供电。正常情况下，该电池可至少使用 2 周。

3.0 V 锂纽扣电池包含 1,2-二甲氧基乙烷；乙二醇二甲醚（EGDME），CAS 号为 110-71-4。

⚠ 警告

请按照厂商说明处理废旧电池。

安装指南

本安装指南提供网络安装 AXIS M1145/M1145-L 网络摄像机的说明。有关使用该产品的其他信息，请参见 www.axis.com 上的《用户手册》

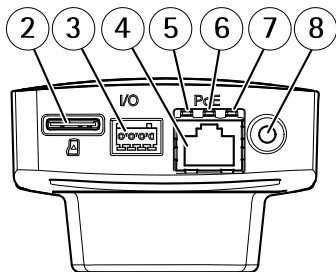
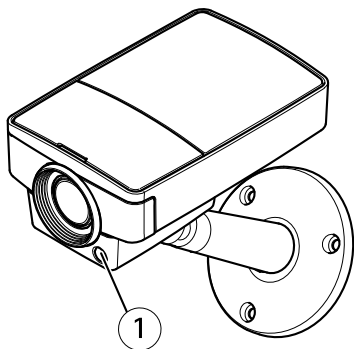
安装步骤

1. 确保安装必需的包装内容、工具和其它材料井然有序。参见 [第115页](#)。
2. 研究硬件概述。参见 [第116页](#)。
3. 研究规格。参见 [第120页](#)。
4. 安装硬件。参见 [第123页](#)。
5. 访问产品。参见 [第124页](#)。

包装内容

- AXIS M1145/AXIS M1145-L 网络摄像机
- 摄像机支架
- 4-针 I/O 接口用于连接外部设备和 I/O 接口
- 印刷资料
 - 安装指南（本文档）
 - 随附的序列号标签(2x)
 - AVHS 身份认证密钥

硬件概览



- 1 光传感器 (仅用于 AXIS M1145-L)
- 2 microSD 卡插槽
- 3 I/O 接口
- 4 网络接口
- 5 LED 网络指示灯
- 6 LED 状态指示灯
- 7 LED 电源指示灯
- 8 控制按钮

LED 指示灯

备注

- LED 状态指示灯可被配置为在工作正常时不亮。进行配置请访问**设置 > 系统选项 > 端口和设备 > LED**。如欲了解更多信息，请参见在线帮助。
- LED 状态指示灯可被配置为在事件激活状态下闪烁。
- LED 状态指示灯可被配置为识别装置时闪烁。访问**设置 > 系统选项 > 维护**。

LED 状态指示灯	指示
绿色	绿灯常亮表示工作正常。
淡黄色	启动时常亮。恢复设置时闪烁。
红色	固件升级故障时闪红色光。

备注

当网络流量活跃时，可禁用 LED 网络指示灯，以免其闪烁。进行配置请访问**设置 > 系统选项 > 端口和设备 > LED**。如欲了解更多信息，请参见在线帮助。

LED 网络指示灯	指示
绿色	常亮表示连接到 1 Gbit/s 网络。闪烁表示网络活动。

淡黄色	常亮表示连接到10/100 Mbit/s网络。闪烁表示网络活动。
不亮	无网络连接。

备注

LED 电源指示灯可被配置为在工作正常时不亮。进行配置请访问**设置 > 系统选项 > 端口和设备 > LED**。如欲了解更多信息，请参见在线帮助。

LED 电源指示灯	指示
绿色	工作正常。
淡黄色	固件升级过程中呈绿色/淡黄色闪烁。

接口和按钮

规范和工作条件方面的信息请参见第120页。

网络接口

RJ45 以太网接口，支持以太网供电 (PoE)。

注意

根据当地法规或使用产品所在的环境与电力条件，可能需要使用屏蔽网线 (STP)。任何连接产品与网络的线缆以及伸展到户外或苛刻电力环境中的线缆必须使用专用线缆。确保网络设备按照制造商的说明进行安装。有关监管要求的信息，请参见 *Electromagnetic Compatibility (EMC) 2*。

I/O 接口

与外部设备联合使用，例如：用于面向防篡改告警、移动探测、事件触发、延时录像及报警通知的应用。除了 0 V 直流参考点和电源（直流输出），I/O 接口还提供以下接口：

- **数字输出**—用于连接外部设备，如继电器和 LED 灯。已连接设备可通过 VAPIX® 应用编程接口（API）、Live View（实时视图）页面上的输出按钮或 Action Rule（操作规则）激活。当警报设备被激活后，该输出接口将显示为激活（显示在 **系统选项 > 端口和设备** 下）。
- **数字输入**—面向连接设备的报警输入，可在开放和闭合线路间切换，例如：PIR、门/窗触点以及玻璃破碎探测器等。当接收到信号时，状态发生变化，而且输入接口变成激活状态（显示在 **系统选项 > 端口和设备** 下）。

SD 卡插槽

注意

- SD 卡损坏的风险。插入或移除 SD 卡时，切勿使用尖锐工具或用力过度。
- 数据丢失风险。为防止数据损坏，SD 卡应在弹出前卸载。如欲卸载，请访问 **设置 > 系统选项 > 存储 > SD 卡**，并单击 **卸载**。

该产品支持 microSD/microSDHC/microSDXC 卡（不含）。

有关 SD 卡建议的更多信息，请访问 www.axis.com

控制按钮

有关控制按钮的位置信息，请参见 *硬件概览* 在第 116 页。

控制按钮用于：

- 将产品重置为出厂默认设置。参见 第 124 页。

- 连接至安讯士视频托管系统服务或安讯士互联网动态 DNS 服务。有关这些服务的更多信息，请参见用户手册。

规格

安讯士产品用于在室内使用。

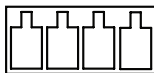
产品	温度	湿度
AXIS M1145	0 ° C 至 50 ° C (32 ° F 至 122 ° F)	20–80% RH (非冷凝)
AXIS M1145-L	0 ° C 至 40 ° C (32 ° F 至 104 ° F)	

产品	以太网供电
AXIS M1145	以太网供电(PoE) IEEE 802.3af/802.3at 1 型 2 类
AXIS M1145-L	以太网供电(PoE) IEEE 802.3af/802.3at 1 型 3 类

接口

I/O 接口

4 针接线端子



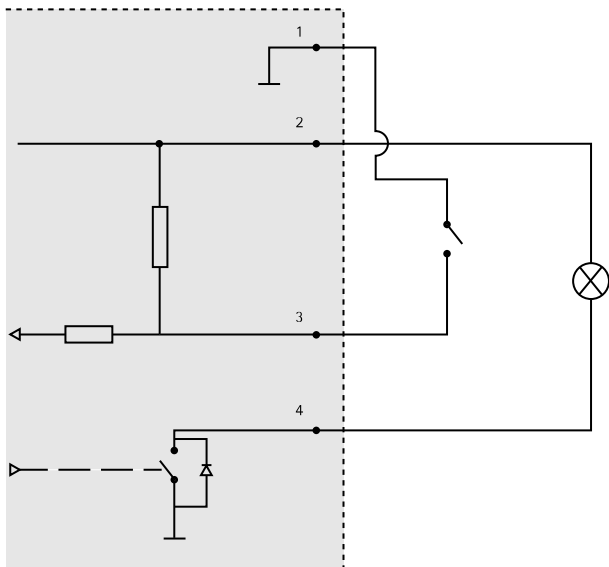
1 2 3 4

如欲获取示例图表，请参见 *连接图* 在第122页。

功能	针脚	备注	规格
0 V DC (-)	1		0 V DC
DC 输出	2	可用于为辅助设备供电。 注：此针仅可用作电源输出。	3.3 V DC 最大负载 = 50 mA
数字输入	3	连接至针脚 1 以启用或断开连接（未连接）以停用	0 至最大 40 V DC
数字输出	4	启用后连接至针脚 1，停用后断开连接（未连接）。如果与继电器等电感负载一起使用，必须将二极管与负载并联，以防止电压瞬变。	0 至最大 40 V DC， 开漏，100 mA

连接图

I/O 接口



- 1 0 V DC (-)
- 2 DC 输出 3.3 V, 最大 50 mA
- 3 数字输入 0 至最大 40 VDC
- 4 数字输出 0 至最大 40 VDC, 开漏, 100 mA

安装硬件

1. 将支架拧紧到摄像机上。在墙体安装时，先用3个合适的螺丝钉将支架安装到墙上。
2. 将网线连接至摄像机单元上的网络接头上。
3. 查看 LED 指示灯指示情况是否正确。参见 *LED 指示灯* 在第117页。

备注

确保光传感器没有被遮挡，否则可能影响其性能并导致错误的日夜切换。

设置对焦和变焦

1. 访问 **视频 > 对焦和变焦**。
2. 在 **基本** 选项卡上，使用滑块设置 **变焦** 级别。
点击 <或> 按钮，将变焦位置移动一步。
点击 << 或 >> 按钮，将变焦位置移动多步。

备注

在实施自动对焦时，应避免在摄像机前面移动。

3. 点击 **实施自动对焦**。
4. 如果自动对焦效果不令人满意，请访问 **高级** 选项卡。

在 **高级** 选项卡上，可手动调整焦距：

1. 点击 **打开光圈**，使光圈处于最大开启位置，以实现最小景深，为对焦创造最佳条件。
2. 对焦设置请见 **对焦窗口**。使用鼠标移动对焦窗口，并调整其大小。
3. 点击 **对焦位置** 栏，聚焦预定位置。
点击 <或> 按钮，将对焦位置移动一步。
点击 << 或 >> 按钮，将对焦位置移动多步。
4. 满意后点击 **启用光圈** 进行启用。

访问产品

AXIS IP Utility 和 AXIS Camera Management 推荐用于查找网络上的安讯士产品，并在 Windows 中为它们分配 IP 地址®。两款应用都免费提供，并可在下列网址中下载：www.axis.com/techsup

该产品可配合多数操作系统和浏览器使用。推荐下列浏览器

- Internet Explorer® (搭配 Windows)®
- Safari® (搭配 OS X)®
- Chrome™ 或 Firefox® (搭配其他操作系统)。

有关使用该产品的更多信息，请参见用户手册，网址：www.axis.com

重置为出厂默认设置

重要

重置为出厂默认设置应慎用。重置为出厂默认设置将把所有设置重置为出厂默认值，包括 IP 地址。

备注

安装和管理软件工具可通过以下网站中的支持页面获取：www.axis.com/techsup

要将产品重置为出厂默认设置，请执行以下操作：

1. 断开产品电源。
2. 按住控制按钮不放，重新连接电源。请参见 *硬件概览* 在第116页。
3. 按住控制按钮 15–30 秒的时间，直至 LED 状态指示灯闪烁淡黄色。
4. 松开控制按钮。当 LED 状态指示灯变为绿色时，结束此过程。该产品已重置为出厂时的默认设置。如果

网络上没有可用的DHCP服务器，则默认的 IP 地址为 192.168.0.90。

5. 借助安装和管理软件工具，分配 IP 地址，设置密码及访问视频流。

也可通过 Web 界面将参数重置为出厂默认设置。访问**设置 > 系统选项 > 维护**，并点击**默认**。

更多信息

有关本文档的最新版本，请访问 www.axis.com

如欲查阅用户手册，请访问 www.axis.com

请访问 www.axis.com/techsup，查看是否存在网络产品的可用固件更新。如欲查看当前安装的固件版本，请访问**设置 > 关于**。

访问安讯士学习中心 www.axis.com/academy，获取有用培训、网络研讨会、教程及指南。

保修信息

有关安讯士产品保修的信息及与之相关的信息，请访问 www.axis.com/warranty/

Installation Guide

AXIS M1145 Series

© Axis Communications AB, 2014 - 2016

Ver. M2.2

Date: January 2016

Part No. 1540617