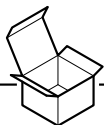


AXIS Dome Intrusion Switch C

Installation Guide

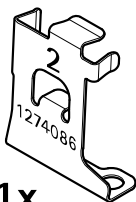


AXIS Q35-LV



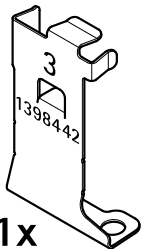
1x

AXIS Q35-LVE
AXIS P33-VE



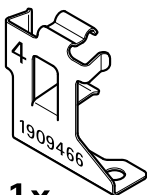
1x

AXIS Q35-SLVE



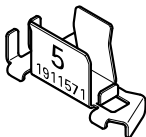
1x

AXIS M32-LVE



1x

AXIS P32-LV
AXIS P32-LVE



1x



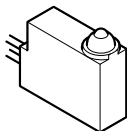
T10

1x

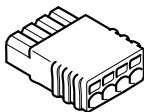


T6

1x



1x

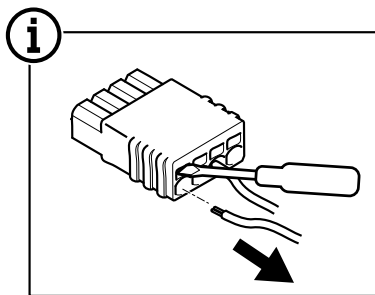
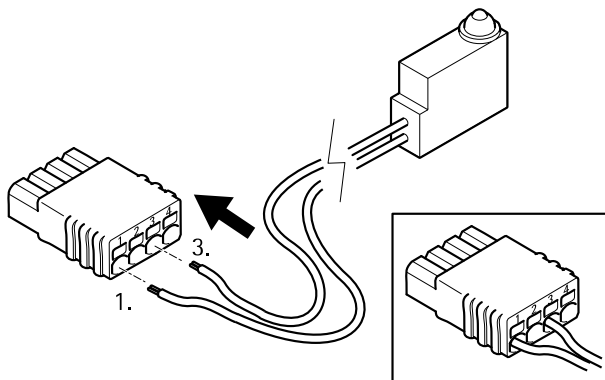


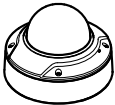











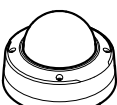

1x



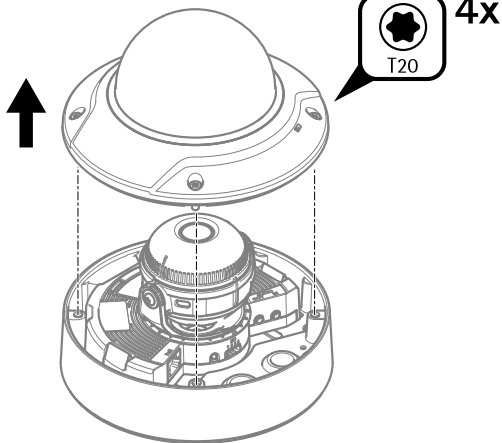
1x

1.1

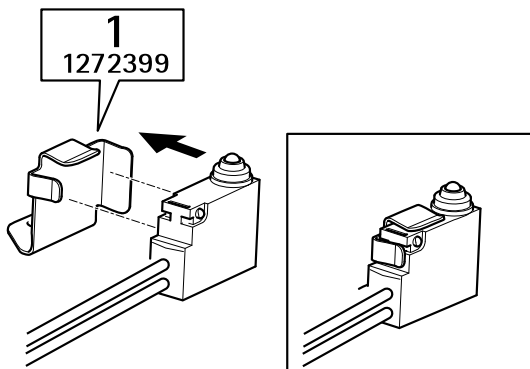


	AXIS Q35-LV	
	AXIS Q35-LVE	
	AXIS Q35-SLVE	
	AXIS P33-VE	
	AXIS M32-LVE	
	AXIS P32-LV	
	AXIS P32-LVE	

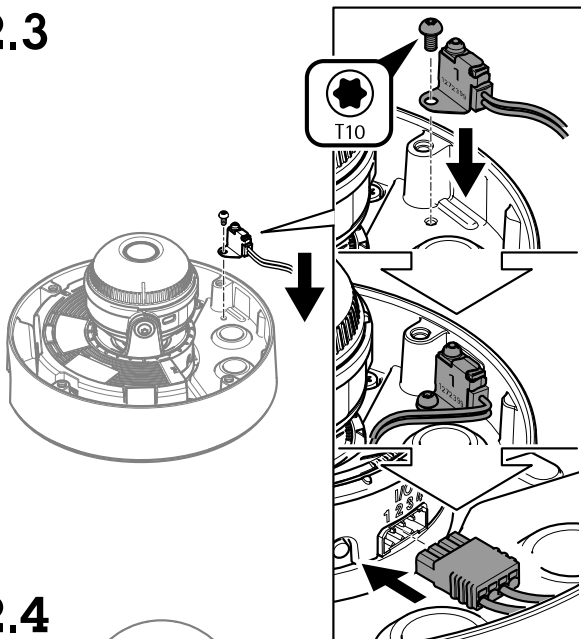
2.1 AXIS Q35-LV



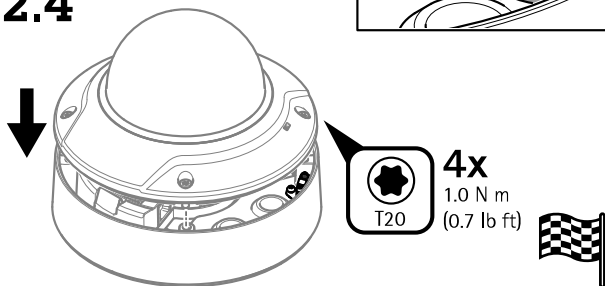
2.2



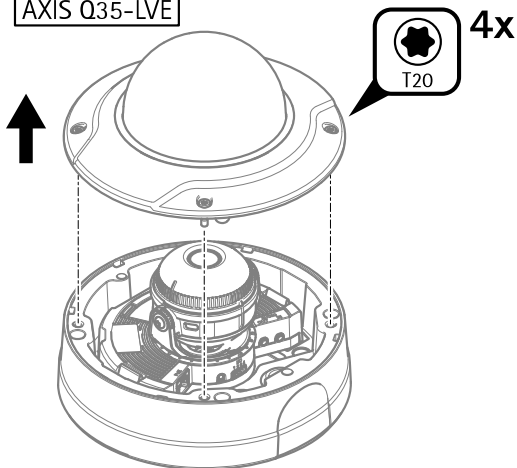
2.3



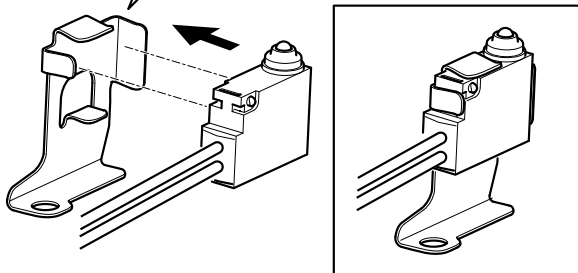
2.4



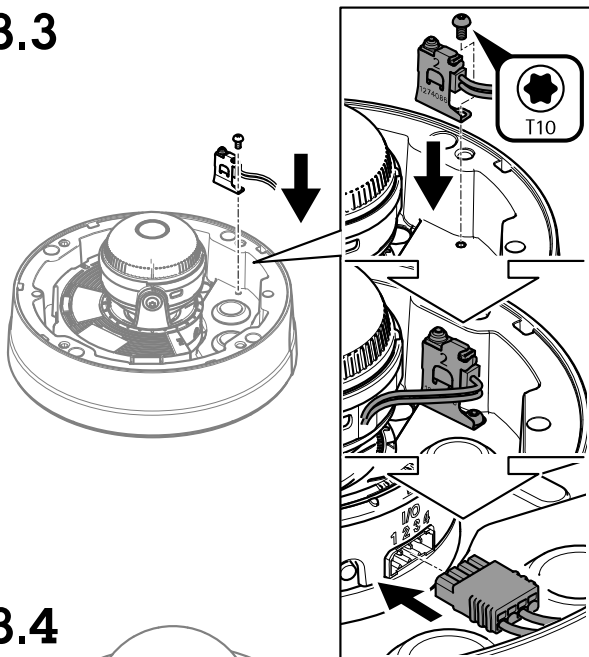
3.1 AXIS Q35-LVE



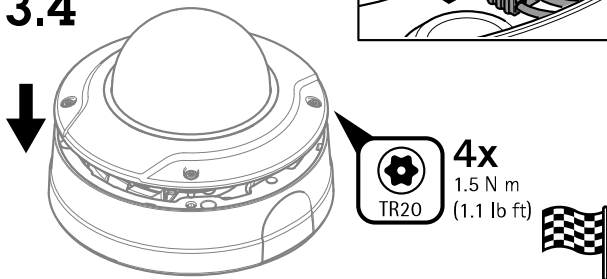
3.2 2 1274086



3.3



3.4

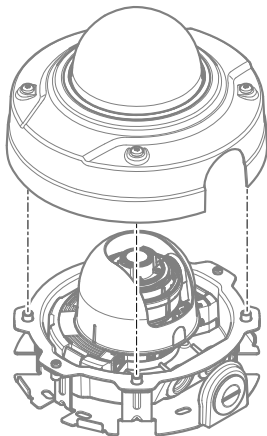


4.1

AXIS Q35-SLVE

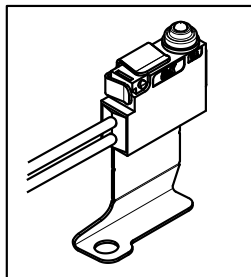
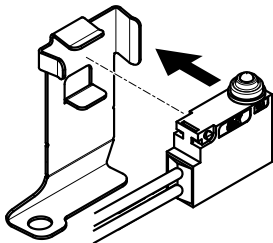


4x

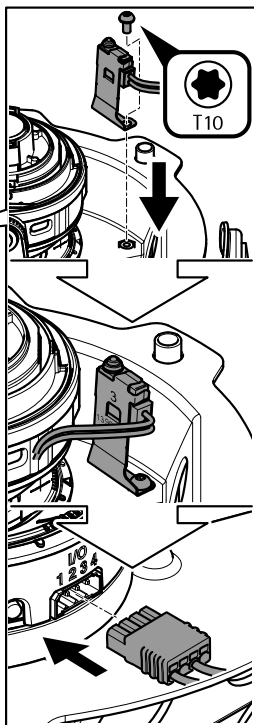
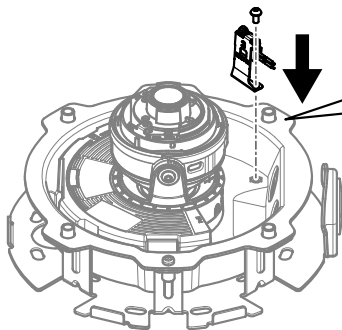


4.2

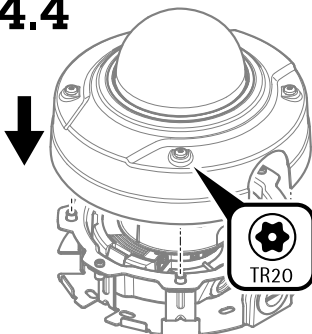
3
1398442



4.3



4.4

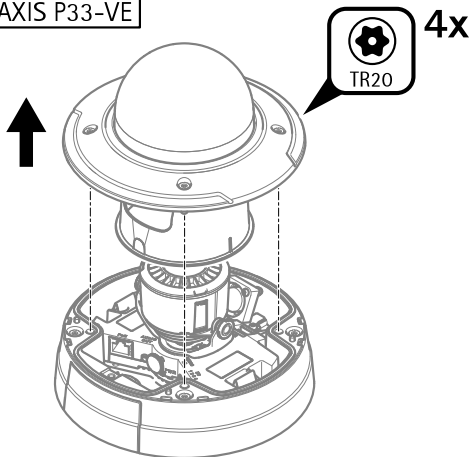


2 N m
(1.5 lb ft)

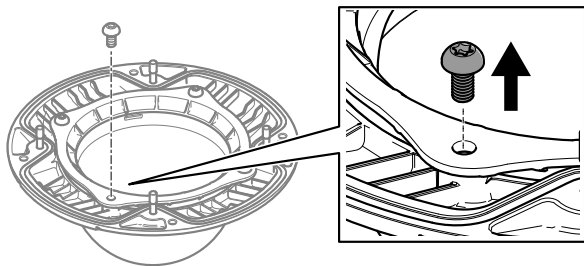


5.1

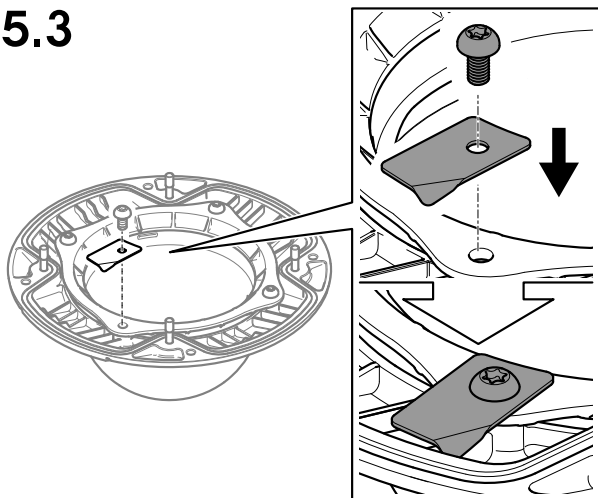
AXIS P33-VE



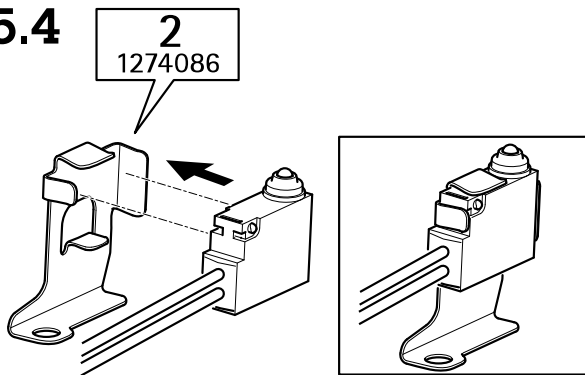
5.2



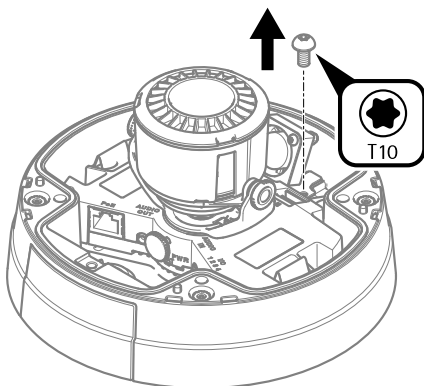
5.3



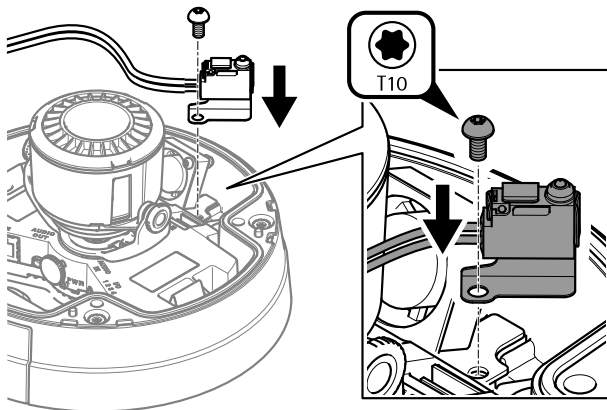
5.4



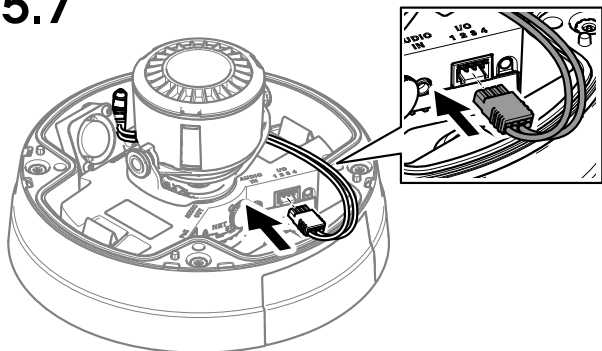
5.5



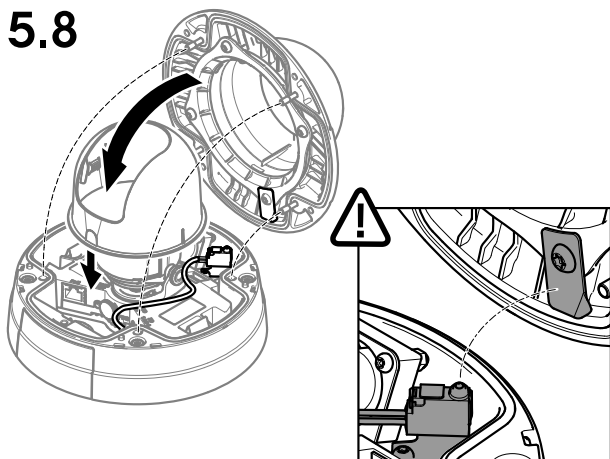
5.6



5.7

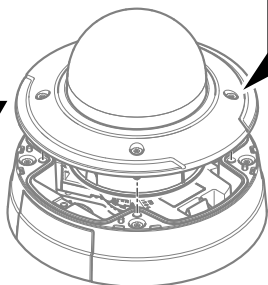


5.8



AXIS Dome Intrusion Switch C

5.9

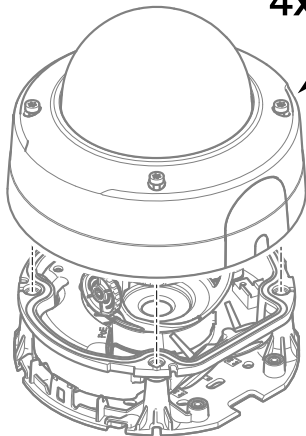


4x
1.0 N m
(0.7 lb ft)



6.1

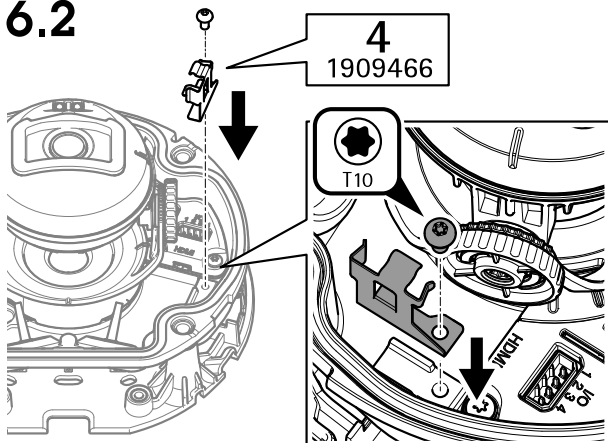
AXIS M32-LVE



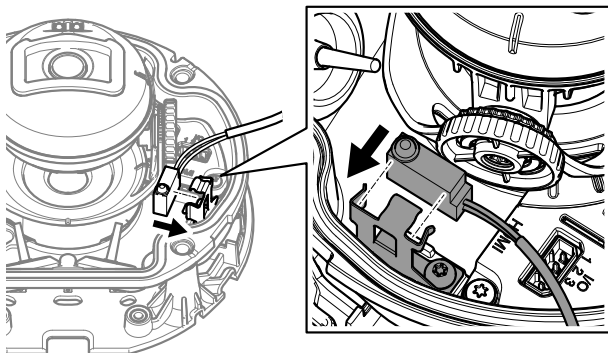
4x



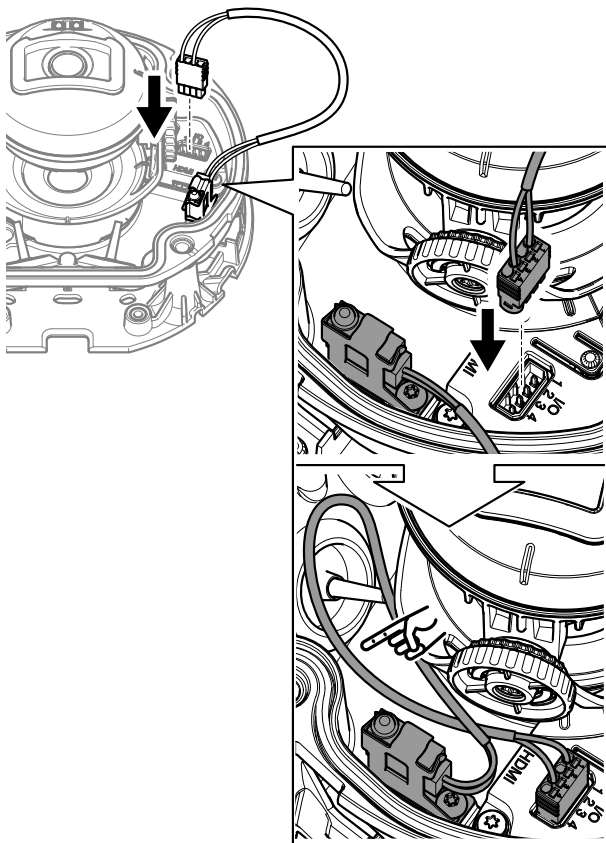
6.2



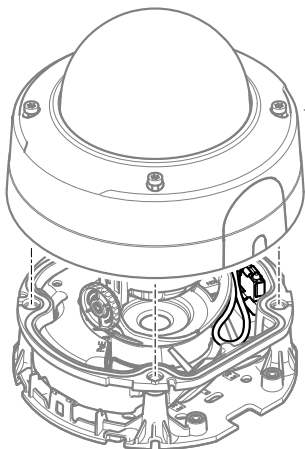
6.3



6.4



6.5

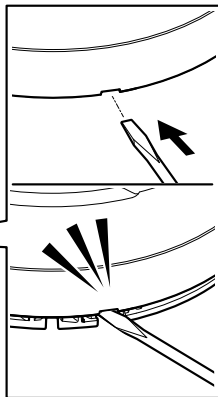
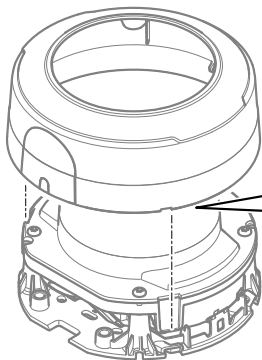


4x
1.0 N m
(0.7 lb ft)

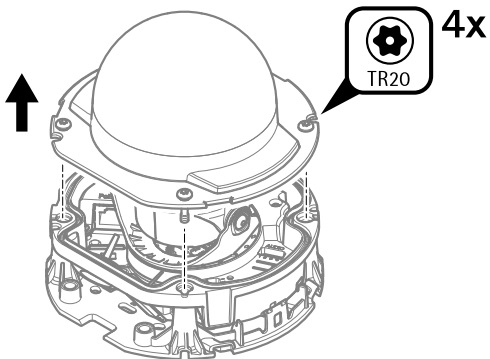


7.1

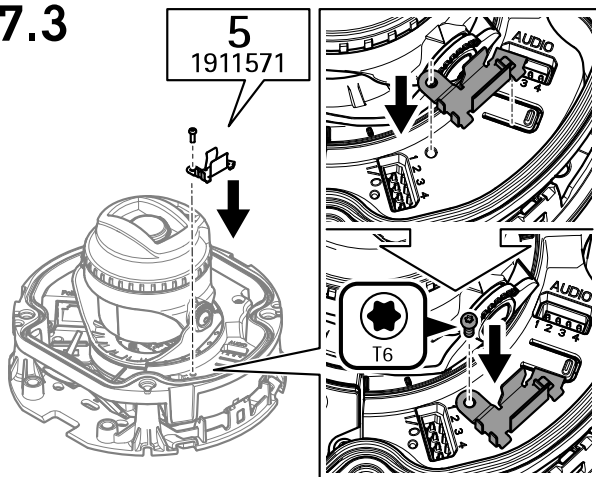
AXIS P32-LV



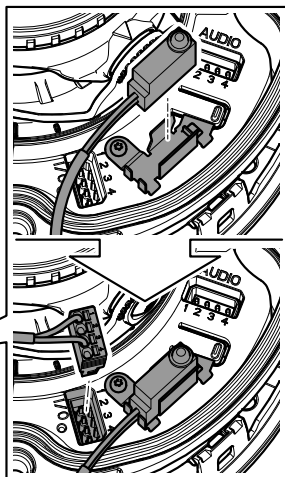
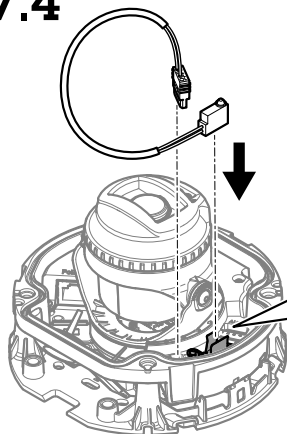
7.2



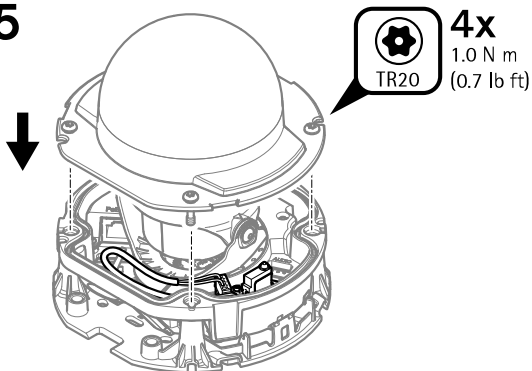
7.3



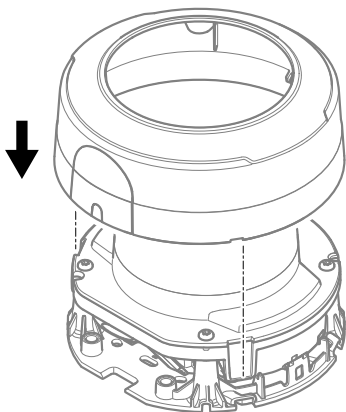
7.4



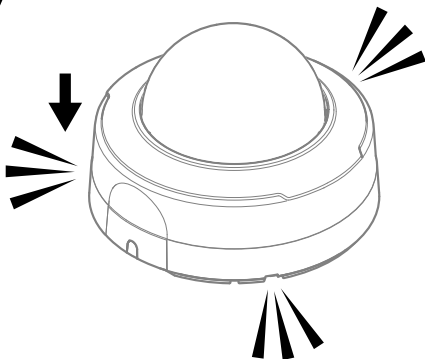
7.5



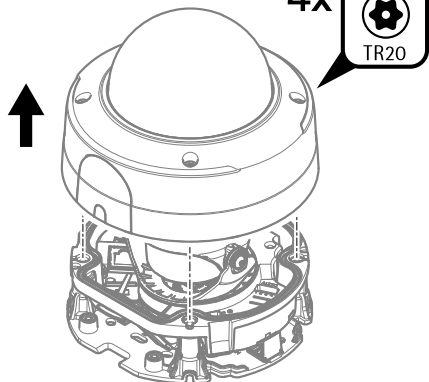
7.6



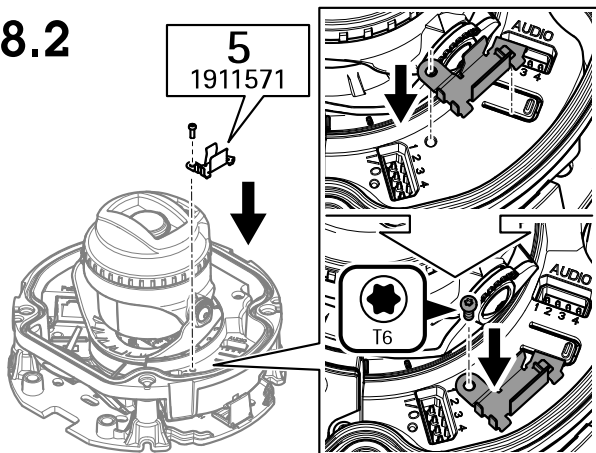
7.7



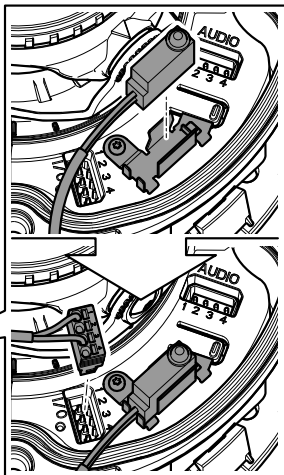
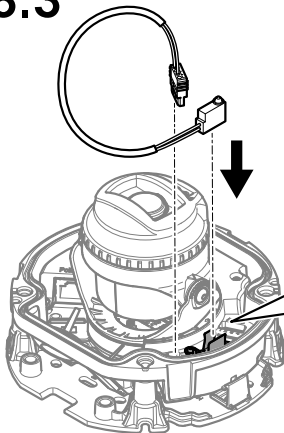
8.1 **AXIS P32-LVE**



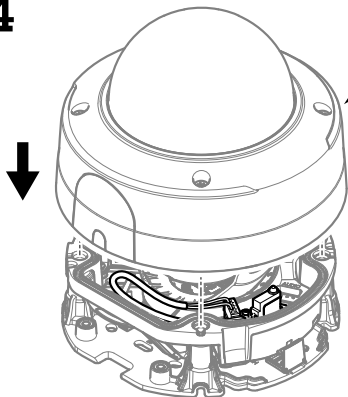
8.2



8.3



8.4



4x

1.0 N m
(0.7 lb ft)



Installation Guide

AXIS Dome Intrusion Switch C

© Axis Communications AB, 2019

Ver. M1.7

Date: June 2019

Part No. 2022088