

ENGLISH

FRANÇAIS

DEUTSCH

ITALIANO

ESPAÑOL

日本語

AXIS Washer Kit A

Installation Guide

Legal Considerations

Video and audio surveillance can be regulated by laws that vary from country to country. Check the laws in your local region before using this product for surveillance purposes.

Liability

Every care has been taken in the preparation of this document. Please inform your local Axis office of any inaccuracies or omissions. Axis Communications AB cannot be held responsible for any technical or typographical errors and reserves the right to make changes to the product and manuals without prior notice. Axis Communications AB makes no warranty of any kind with regard to the material contained within this document, including, but not limited to, the implied warranties of merchantability and fitness for a particular purpose. Axis Communications AB shall not be liable nor responsible for incidental or consequential damages in connection with the furnishing, performance or use of this material. This product is only to be used for its intended purpose.

Intellectual Property Rights

Axis AB has intellectual property rights relating to technology embodied in the product described in this document. In particular, and without limitation, these intellectual property rights may include one or more of the patents listed at www.axis.com/patent.htm and one or more additional patents or pending patent applications in the US and other countries.

Equipment Modifications


This equipment must be installed and used in strict accordance with the instructions given in the user documentation. This equipment contains no user-serviceable components. Unauthorized equipment changes or modifications will invalidate all applicable regulatory certifications and approvals.

Trademark Acknowledgments

AXIS COMMUNICATIONS, AXIS, ETRAX, ARTPEC and VAPIX are registered trademarks or trademark applications of Axis AB in various jurisdictions. All other company names and products are trademarks or registered trademarks of their respective companies.

Regulatory Information

Europe

 This product complies with the applicable CE marking directives and harmonized standards:

- Electromagnetic Compatibility (EMC) Directive 2004/108/EC. See *Electromagnetic Compatibility (EMC)* on page 2.
- Low Voltage (LVD) Directive 2006/95/EC. See *Safety* on page 2.
- Restrictions of Hazardous Substances (RoHS) Directive 2011/65/EU. See *Disposal and Recycling* on page 2.

A copy of the original declaration of conformity may be obtained from Axis Communications AB. See *Contact Information* on page 2.

Electromagnetic Compatibility (EMC)

This equipment has been designed and tested to fulfill applicable standards for:

- Radio frequency emission when installed according to the instructions and used in its intended environment.
- Immunity to electrical and electromagnetic phenomena when installed according to the instructions and used in its intended environment.

USA

This equipment has been tested and found to comply with the limits for a Class B digital device, pursuant to part 15 of the FCC Rules. These limits are designed to provide reasonable protection against harmful interference in a residential installation. This equipment generates, uses and can radiate radio frequency energy and, if not installed and used in accordance with the instructions, may cause harmful interference to radio communications. However, there is no guarantee that interference will not occur in a particular installation. If this equipment does cause harmful interference to radio or television reception, which can be determined by turning the equipment off and on, the user is encouraged to try to correct the interference by one or more of the following measures:

- Reorient or relocate the receiving antenna.
- Increase the separation between the equipment and receiver.
- Connect the equipment into an outlet on a circuit different from that to which the receiver is connected.
- Consult the dealer or an experienced radio/TV technician for help.

Europe

This product fulfills the requirements for immunity according to EN 50130-4 residential, commercial, light-industrial and industrial environments.

This product fulfills the requirements for emission according to EN 61000-6-3 residential, commercial and light-industrial environments.

Safety

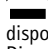
This product complies with IEC/EN 60950-1 and IEC/EN 60950-22, Safety of Information Technology Equipment.

Disposal and Recycling

When this product has reached the end of its useful life, dispose of it according to local laws and regulations. For information about your nearest designated collection point, contact your local authority responsible for waste disposal. In accordance with local legislation, penalties may be applicable for incorrect disposal of this waste.

Europe




 This symbol means that the product shall not be disposed of together with household or commercial waste. Directive 2012/19/EU on waste electrical and electronic equipment (WEEE) is applicable in the European Union member states. To prevent potential harm to human health and the environment, the product must be disposed of in an approved and environmentally safe recycling process. For information about your nearest designated collection point, contact your local authority responsible for waste disposal. Businesses should contact the product supplier for information about how to dispose of this product correctly.

This product complies with the requirements of Directive 2011/65/EU on the restriction of the use of certain hazardous substances in electrical and electronic equipment (RoHS).

China



 This product complies with the requirements of the legislative act Administration on the Control of Pollution Caused by Electronic Information Products (ACPEIP).

Contact Information

Axis Communications AB
Emdälavägen 14

223 69 Lund
Sweden

Tel: +46 46 272 18 00

Fax: +46 46 13 61 30

www.axis.com

Support

Should you require any technical assistance, please contact your Axis reseller. If your questions cannot be answered immediately, your reseller will forward your queries through the appropriate channels to ensure a rapid response. If you are connected to the Internet, you can:

- find answers to resolved problems in the FAQ database. Search by product, category, or phrase
- report problems to Axis support staff by logging in to your private support area
- chat with Axis support staff
- visit Axis Support at www.axis.com/techsup/

Learn More!

Visit Axis learning center www.axis.com/academy/ for useful trainings, webinars, tutorials and guides.

Safety Information

Read through this Installation Guide carefully before installing the product. Keep the Installation Guide for future reference.

Hazard Levels

▲DANGER

Indicates a hazardous situation which, if not avoided, will result in death or serious injury.

▲WARNING

Indicates a hazardous situation which, if not avoided, could result in death or serious injury.

▲CAUTION

Indicates a hazardous situation which, if not avoided, could result in minor or moderate injury.

NOTICE

Indicates a situation which, if not avoided, could result in damage to property.

Other Message Levels

Important

Indicates significant information which is essential for the product to function correctly.

Note

Indicates useful information which helps in getting the most out of the product.

AXIS Washer Kit A

Safety Instructions

⚠WARNING

- The Axis product shall be installed by a trained professional.

NOTICE

- The Axis product shall be used in compliance with local laws and regulations.
- Store the Axis product in a dry and ventilated environment.
- Avoid exposing the Axis product to shocks or heavy pressure.
- Avoid exposing the Axis product to vibration.
- Do not install the product on unstable brackets, surfaces or walls.
- Do not install the product on vibrating brackets, surfaces or walls.
- Use only applicable tools when installing the Axis product. Using excessive force with power tools could cause damage to the product.
- Use only accessories that comply with technical specification of the product. These can be provided by Axis or a third party.
- Use only spare parts provided by or recommended by Axis.
- Do not attempt to repair the product by yourself. Contact Axis support or your Axis reseller for service matters.

Transportation

NOTICE

- When transporting the Axis product, use the original packaging or equivalent to prevent damage to the product.

Installation Guide

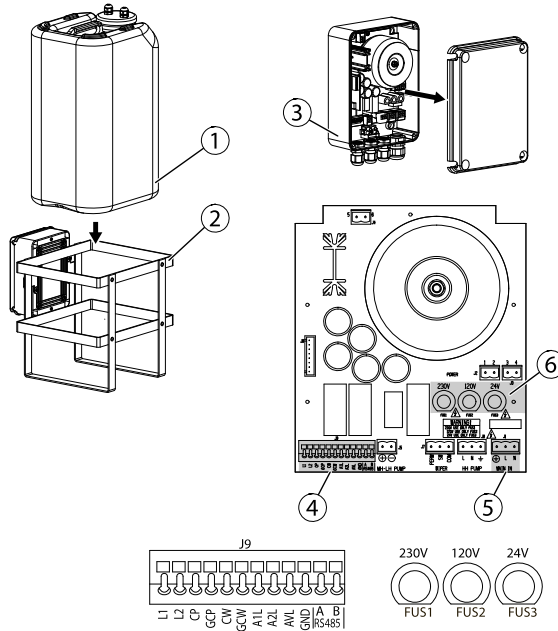
This Installation Guide provides instructions for installing AXIS Washer Kit A.

Package Contents

- Washer Kit
- Strap
- Silicon sheath
- Pipe connector
- Washer pipe support
- Locking bracket for pipe support
- Delivery pipe
- Washer pipe (with nozzle)
- Bolts
- Screws
- Printed materials
 - Installation Guide (this document)

AXIS Washer Kit A

Hardware Overview



- 1 Tank
- 2 Metal cage
- 3 Connection box
- 4 Control terminal J9
- 5 Power supply terminal
- 6 Fuse positions

Specifications

Operating Conditions

Maximum temperature	Minimum temperature Antifreeze liquid in solution (full performance)	Minimum temperature Antifreeze liquid in solution (reduced performance)
60°C (140°F)	-10°C (14°F)	-25°C (-13°F)

Approvals

Approvals	EN 50130-4 EN 61000-6-3 FCC Part 15 Subpart B Class B EN 60950-1 EN 60950-22 EN 60529 IP56 EAC certification
-----------	--

Power Consumption

AC	Current Consumption	Power Line Frequency
230 VAC	0.3 A	50/60 Hz
120 VAC	0.6 A	50/60 Hz
24 VAC	1.8 A	50/60 Hz

Power Supply

AXIS Washer Kit A can be powered with three different power supply voltages:

- 230V
- 120V
- 24V

Fuses

AXIS Washer Kit A comes with a pre-mounted fuse for 230V in position FUS1. If the power supply is different, remove the fuse from position FUS1 and insert it in correct position (FUS2 or FUS3). See table.

⚠CAUTION

- Electrical connections must be performed with the power supply disconnected and the circuit-breaker open.
- When commencing installation make sure that the specifications for the power supply correspond with those required by the device.

Voltage	Fuse holder
230 VAC	FUS1 (pre-mounted)
120 VAC	FUS2
24 VAC	FUS3

AXIS Washer Kit A

See *Hardware Overview* for fuse positions.

NOTICE

- Make sure that the power source and connecting cables are suitable for the power consumption of the system.
- Use a power cable that is suitable for outdoor use.

Install the Hardware

Installing the Pump Tank

1. Attach the metal cage to a wall using the holes provided.
2. Take the plug out of the tank, along with any pumps and level gauges.
3. Remove the tank from the metal cage.

See *Hardware Overview* for images.

⚠CAUTION

Before starting any operation, make sure the power supply is disconnected.

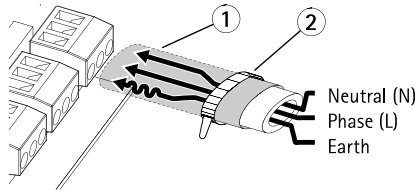
NOTICE

- It is recommended to fill the tank with water at room temperature. If using the pump at temperatures below 3°C (37.4°F) add some glass cleaner antifreeze liquid to the water. Any standard antifreeze liquid can be used.
- The antifreeze liquid will cause irreparable damage to the germanium windows. Do not use antifreeze liquid for this type of windows. For germanium windows use ethyl alcohol in a 20% solution instead.
- The product must be fastened with suitable equipment. The fastening means must guarantee the mechanical seal when a force equal to at least 3 times the weight of the device is applied.

Power Supply Connection

Connect the power supply terminal J1 to the electric network using a suitably sectioned cable. See *Hardware Overview* for location of the Connection board.

Cover the power supply cable with the supplied silicone sheath and fasten with a strap, see image below.



- 1 Silicone sheath
- 2 Strap

NOTICE

- The Earth cable should be about 10mm longer than the other two, so that it will not be disconnected accidentally if pulled.
- All the conductors of terminals must be separated from the other low voltage circuits. The disconnection of a wire must not compromise the protection against electric shocks.

Pump Connection

Connect the Pan & Tilt to the J9 terminal as described in the table below.

Terminal	Description	Q86 Camera
CP	Pump control	O1
GCP	GND (pump control)	C1

Note

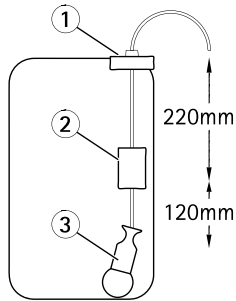
All connections of terminal J9 must have a very low safety voltage.

Pump Installation

Fill the tank with water and insert it in the metal cage, see *Hardware Overview*

Put the pump and float inside the tank and screw the plug on, see image below.

AXIS Washer Kit A

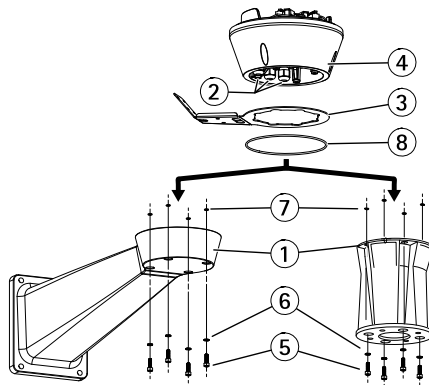


- 1 Plug
- 2 Float
- 3 Pump

NOTICE

Do not to start the pump when the tank is empty.

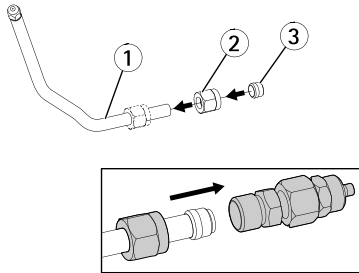
Washer Installation



- 1 Support unit
- 2 Cable glands
- 3 Washer pipe support
- 4 Base unit

- 5 Screws
- 6 Washers
- 7 Screw gaskets
- 8 Gasket

Fastening the support unit, place the washer pipe support in the desired position. Insert the cables inside the support so that they protrude by about 50cm. Insert the cable in the cable glands. Keeping the base unit at about 20cm (7.9in) from the support unit, lock the cable glands. Set the base unit up on the stand arranging the cables inside. Attach the base unit to the support unit by using the provided screws, washers, screw gaskets and gasket.



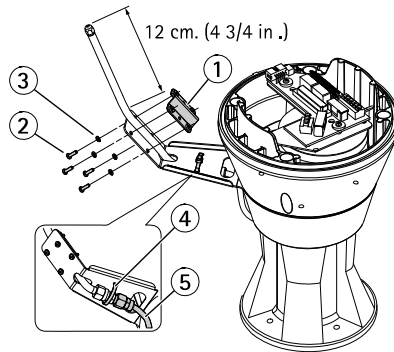
- 1 Washer pipe
- 2 Nut
- 3 Ogive

Cut the cables to size and either restore or make the connections to the positioning unit. Shorten the washer pipe as needed. Unscrew the nut and slide it along the pipe. Insert the end of the pipe into the ogive. Lock the nut to the coupling.

Note

Make sure the washer pipe is securely tightened to prevent water leakage. In case of water leakage, further tightening will be required.

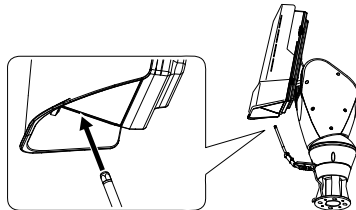
AXIS Washer Kit A



- 1 *Bracket*
- 2 *Screws*
- 3 *Washers*
- 4 *Hoseclip*
- 5 *Delivery hose*

Attach the pipe to the washer support by using the supplied bracket, screws and washers. Lock the coupling using the supplied hoseclip and connect the delivery hose.

To calibrate the jet, direct the nozzle towards the glass of the housing. See image below



Further Information

For the latest version of this document, see www.axis.com

Visit Axis learning center www.axis.com/academy for useful trainings, webinars, tutorials and guides.

Warranty Information

For information about Axis' product warranty and thereto related information, see www.axis.com/warranty/

Informations sur la sécurité

Lisez attentivement ce guide d'installation avant d'installer l'appareil. Conservez le guide d'installation pour toute référence ultérieure.

Niveaux de risques

▲DANGER

Indique une situation dangereuse qui, si elle n'est pas évitée, entraînera le décès ou des blessures graves.

▲AVERTISSEMENT

Indique une situation dangereuse qui, si elle n'est pas évitée, pourrait entraîner le décès ou des blessures graves.

▲ATTENTION

Indique une situation dangereuse qui, si elle n'est pas évitée, pourrait entraîner des blessures légères ou modérées.

AVIS

Indique une situation qui, si elle n'est pas évitée, pourrait endommager l'appareil.

Autres niveaux de message

Important

Indique les informations importantes, nécessaires pour assurer le bon fonctionnement de l'appareil.

Note

Indique les informations utiles qui permettront d'obtenir le fonctionnement optimal de l'appareil.

Consignes de sécurité

▲ AVERTISSEMENT

- Le produit Axis doit être installé par un professionnel habilité.

AVIS

- Le produit Axis doit être utilisé conformément aux lois et réglementations locales en vigueur.
- Conserver ce produit Axis dans un environnement sec et ventilé.
- Ne pas exposer ce produit Axis aux chocs ou aux fortes pressions.
- Ne pas exposer ce produit Axis aux vibrations.
- Ne pas installer ce produit sur des supports, surfaces ou murs instables.
- Ne pas installer ce produit sur des supports, surfaces ou murs soumis à des vibrations.
- Utiliser uniquement des outils recommandés pour l'installation de l'appareil Axis. L'application d'une force excessive sur l'appareil avec des outils puissants pourrait l'endommager.
- Utiliser uniquement des accessoires conformes aux caractéristiques techniques du produit. Ils peuvent être fournis par Axis ou un tiers.
- Utiliser uniquement les pièces de rechange fournies ou recommandées par Axis.
- Ne pas essayer de réparer ce produit par vous-même. Contacter l'assistance technique d'Axis ou votre revendeur Axis pour des problèmes liés à l'entretien.

Transport

AVIS

- Lors du transport du produit Axis, utilisez l'emballage d'origine ou un équivalent pour éviter d'endommager le produit.

Guide d'installation

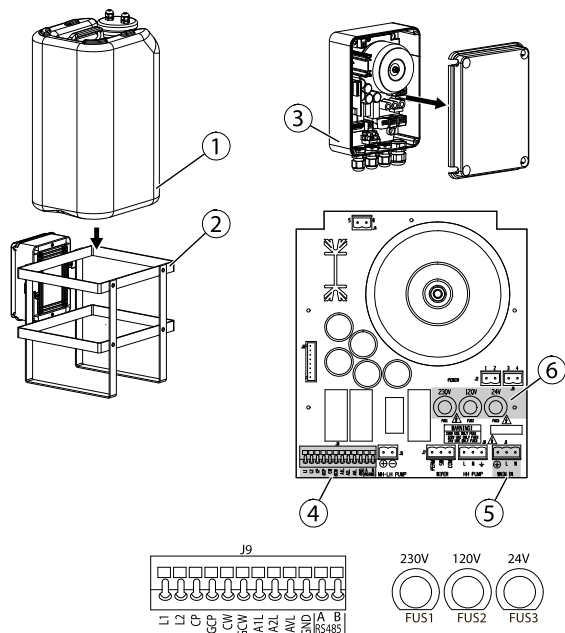
Ce guide d'installation vous explique comment installer le dispositif de lavage A AXIS.

Contenu de l'emballage

- Dispositif de lavage
- Sangle
- Gaine en silicone
- Raccord tuyau
- Support tuyau du dispositif de lavage
- Support de verrouillage du support tuyau
- Tuyau de refoulement
- Tuyau du dispositif de lavage (avec buse)
- Boulons
- Vis
- Documents imprimés
 - Guide d'installation (ce document)

AXIS Washer Kit A

Aperçu du matériel



- 1 Réservoir
- 2 Cage métallique
- 3 Boîtier de raccordement
- 4 Borne de commande J9
- 5 Borne d'alimentation
- 6 Positions du fusible

Caractéristiques techniques

Conditions d'utilisation

Température maximale	Température minimale Liquide antigel dans solution (performance maxi.)	Température minimale Liquide antigel dans solution (performance réduite)
60 °C (140 °F)	-10 °C (14 °F)	-25 °C (-13 °F)

Agréments

Agréments	EN 50130-4 EN 61000-6-3 FCC partie 15 - Sous-partie B, Classe B EN 60950-1 EN 60950-22 EN 60529 IP56 Certification EAC
-----------	--

Consommation électrique

CA	Consommation de courant	Fréquence d'alimentation
230 V CA	0,3 A	50/60 Hz
120 V CA	0,6 A	50/60 Hz
24 V CA	1,8 A	50/60 Hz

Alimentation

Le dispositif de lavage A AXIS peut être alimenté par trois types de tensions électriques :

- 230 V
- 120 V
- 24 V

Fusibles

Le dispositif de lavage A AXIS est livré avec un fusible préinstallé pour le 230 V en position FUS1. Si l'alimentation est différente, retirez le fusible de la position FUS1 et insérez-le dans la position qui convient (FUS2 ou FUS3). Voir le tableau.

▲ATTENTION

- Les raccordements électriques doivent être effectués avec l'appareil hors tension et le disjoncteur ouvert.
- Lorsque vous commencez l'installation, vérifiez que les caractéristiques de l'alimentation électrique correspondent à celles exigées par l'appareil.

Tension	Porte-fusibles
230 V CA	FUS1 (pré-installée)
120 V CA	FUS2
24 V CA	FUS3

AXIS Washer Kit A

cf. *Aperçu du matériel* pour la position des fusibles.

AVIS

- Vérifiez que les câbles d'alimentation et de raccordement conviennent à la consommation électrique du système.
- Utilisez un câble d'alimentation adapté à une utilisation en extérieur.

Installation du matériel

Installation du réservoir de la pompe

1. Fixez la cage métallique sur un mur en utilisant les trous fournis.
2. Retirez le bouchon du réservoir, ainsi que les pompes et indicateurs de niveau.
3. Retirer le réservoir de la cage métallique.

Reportez-vous à *Aperçu du matériel* pour les images.

ATTENTION

Avant de commencer toute opération, assurez-vous que l'alimentation électrique est coupée.

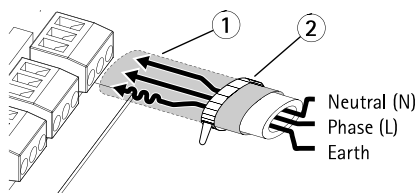
AVIS

- Il est recommandé de remplir le réservoir avec de l'eau à température ambiante. En cas d'utilisation de la pompe à des températures inférieures à 3 °C (37,4 °F) ajoutez du liquide lave-vitre antigel à l'eau. Vous pouvez utiliser n'importe quel liquide antigel standard.
- Le liquide antigel peut endommager les fenêtres en germanium de façon irrémédiable. Ne jamais utiliser de liquide antigel pour ce type de fenêtre. Pour les fenêtres en germanium utilisez à la place de l'alcool éthylique dans une solution à 20 %.
- Le produit doit être fixé avec du matériel approprié. Le moyen de fixation doit garantir le joint mécanique lorsqu'une force égale à au moins 3 fois le poids de l'appareil est appliquée.

Raccordement à l'alimentation électrique

Branchez le raccord d'alimentation J1 au réseau électrique à l'aide d'un câble d'une section appropriée. Cf. *Aperçu du matériel* pour connaître l'emplacement de la carte de connexion.

Couvrez le câble d'alimentation avec la gaine en silicone fournie et attachez à l'aide d'une sangle, cf. l'image ci-dessous.



- 1 Gaine en silicone
- 2 Sangle

AVIS

- Pour éviter toute déconnexion intempestive, le fil de mise à la terre doit être plus long d'environ 10 mm que les deux autres fils.
- Tous les conducteurs de bornes doivent être séparés des autres circuits de basse tension. Le débranchement d'un câble ne doit pas compromettre la protection contre les chocs électriques.

Raccordement de la pompe

Connectez la caméra panoramique/inclinaison à la borne J9 comme indiqué dans le tableau ci-dessous.

Borne	Description	Caméra Q86
CP	Commande de la pompe	O1
GCP	TERRE (commande de la pompe)	C1

Note

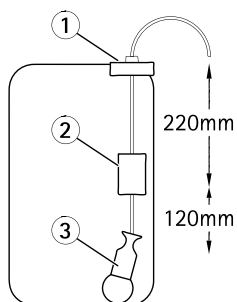
Toutes les connexions de la borne J9 doivent avoir une tension de sécurité très basse.

Installation de la pompe

Remplissez le réservoir d'eau et insérez-le dans la cage métallique, cf. *Aperçu du matériel*

Placez la pompe et le flotteur à l'intérieur du réservoir et vissez le bouchon, cf. l'image ci-dessous.

AXIS Washer Kit A

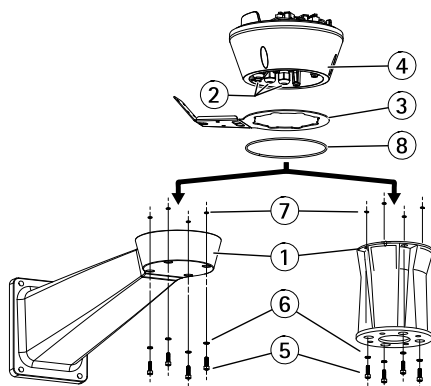


- 1 Bouchon
- 2 Flotteur
- 3 Pompe

AVIS

Ne jamais démarrer la pompe si le réservoir est vide.

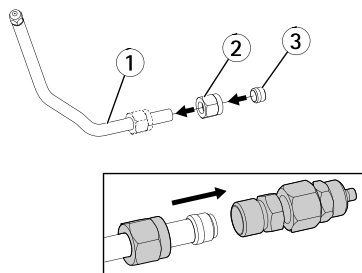
Installation du système de nettoyage



- 1 Support
- 2 Presse-étoupes
- 3 Support tuyau du dispositif de lavage
- 4 Unité de base

- 5 Vis
- 6 Rondelles
- 7 Joints de vis
- 8 Joint

Au moment de fixer le support, placez le support tuyau du dispositif de lavage dans la position souhaitée. Insérez les câbles à l'intérieur du support de sorte qu'ils dépassent d'environ 50 cm. Insérez le câble dans les presse-étoupes. En gardant l'unité de base à environ 20 cm (7,9 po) du support, serrez les presse-étoupes. Placez l'unité de base sur le support en insérant les câbles à l'intérieur. Fixez l'unité de base au support à l'aide des vis, des rondelles, des joints de vis et du joint fournis.



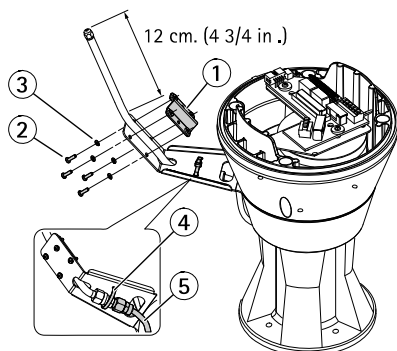
- 1 Tuyau du dispositif de lavage
- 2 Écrou
- 3 Ogive

Coupez les câbles à la dimension et restaurez ou établissez les raccordements à l'unité de positionnement. Raccourcissez le tuyau du dispositif de lavage le cas échéant. Dévissez l'écrou et faites-le glisser le long du tuyau. Insérez l'extrémité du tuyau dans l'ogive. Fixez l'écrou à l'accouplement.

Note

Pour éviter toute fuite, vérifiez que le tuyau du dispositif de lavage est bien serré. En cas de fuite, il vous faudra mieux serrer l'ensemble.

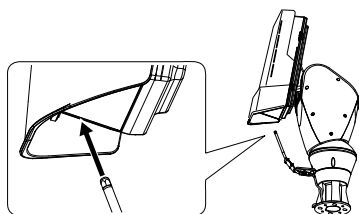
AXIS Washer Kit A



- 1 Support
- 2 Vis
- 3 Rondelles
- 4 Collier de serrage
- 5 Flexible de refoulement

Fixez le tuyau au support du dispositif de lavage à l'aide du support, des vis et des rondelles fournies. Bloquez l'accouplement à l'aide du collier de serrage fourni et branchez le flexible de refoulement.

Pour calibrer le jet, dirigez la buse vers le verre du boîtier. Voir l'image ci-dessous.



Pour obtenir plus de renseignements

Pour la dernière version de ce document, consultez le site www.axis.com

Visitez le centre d'apprentissage en ligne Axis sur le site www.axis.com/academy pour en savoir plus sur les formations, les webinaires, les tutoriels et les guides.

Informations sur la garantie

Pour obtenir de plus amples informations sur la garantie du produit AXIS et des renseignements connexes, allez sur le site www.axis.com/warranty/

Sicherheitsinformation

Lesen Sie das Installationshandbuch sorgfältig durch bevor sie das Produkt installieren. Bewahren Sie das Installationshandbuch für zukünftige Zwecke auf.

Gefährdungsstufen

▲GEFAHR

Weist auf eine gefährliche Situation hin, welche, falls nicht verhindert, zu Tod oder schweren Verletzungen führt.

▲WARNUNG

Weist auf eine gefährliche Situation hin, welche, falls nicht verhindert, zu Tod oder schweren Verletzungen führen kann.

▲VORSICHT

Weist auf eine gefährliche Situation hin, welche, falls nicht verhindert, zu geringfügiger oder mäßiger Verletzung führen kann.

HINWEIS

Weist auf eine gefährliche Situation hin, welche, falls nicht verhindert, zu Sachschäden führen kann.

Weitere Nachrichtenstufen

Wichtig

Weist auf wichtige Informationen hin, die den richtigen Betrieb des Produkts gewährleisten.

Beachten

Weist auf nützliche Informationen hin, die die optimale Verwendung des Produkts unterstützen.

Sicherheitsanweisungen

▲WARNUNG

- Das Axis Produkt muss von fachmännischem Personal installiert werden.

HINWEIS

- Die Anwendung des Axis Produkts muss unter Beachtung der örtlich geltenden rechtlichen Bestimmungen erfolgen.
- Lagern Sie das Axis Produkt in einer trockenen und belüfteten Umgebung.
- Achten Sie darauf, dass das Axis Produkt weder Stößen noch starkem Druck ausgesetzt ist.
- Achten Sie darauf, dass das Axis Produkt keinen Vibrationen ausgesetzt ist.
- Installieren Sie das Produkt nicht an instabilen Halterungen, Oberflächen oder Wänden.
- Installieren Sie das Produkt nicht an vibrierenden Halterungen, Oberflächen oder Wänden.
- Verwenden Sie bei der Installation des Axis Produkts ausschließlich passende Werkzeuge. Ein zu großer Kraftaufwand mit elektrischen Werkzeugen kann das Produkt beschädigen.
- Verwenden Sie nur Zubehör, das den technischen Daten des Produkts entspricht. Dieses ist von Axis oder Drittanbietern erhältlich.
- Verwenden Sie ausschließlich Ersatzteile die von Axis bereitgestellt oder empfohlen werden.
- Versuchen Sie nicht, das Produkt selbstständig zu reparieren. Wenden Sie sich bezüglich Reparatur und Wartung an den Axis Support oder Ihren Axis Händler.

Transport

HINWEIS

- Bei Bedarf transportieren Sie das Axis Produkt in der Originalverpackung oder einer entsprechenden Verpackung, so dass Schäden vermieden werden.

Installationsanleitung

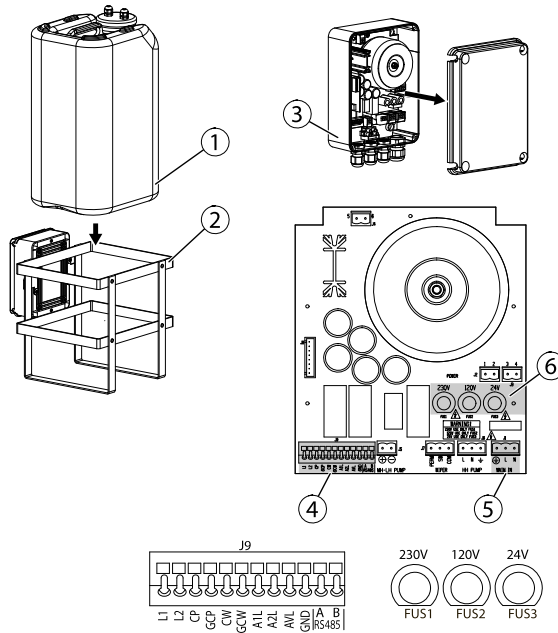
In dieser Anleitung wird die Installation der AXIS Waschanlage A beschrieben.

Lieferumfang

- Waschanlage
- Kabelbinder
- Silikonummantelung
- Rohrverbindungsstück
- Rohrhalterung
- Klemme für Rohrhalterung
- Zufuhrrohr
- Wascherrohr (mit Düse)
- Bolzen
- Schrauben
- Gedruckte Dokumente
 - Installationsanleitung (dieses Dokument)

AXIS Washer Kit A

Übersicht über die Hardware



- 1 Tank
- 2 Metallkäfig
- 3 Anschlusskasten
- 4 Steuerungsanschluss J9
- 5 Netzteilanschluss
- 6 Position der Sicherungen

Technische Daten

Betriebsbedingungen

Maximale Temperatur	Minimale Temperatur Frostschuttmittellösung (volle Leistung)	Minimale Temperatur Frostschuttmittellösung (reduzierte Leistung)
60 °C	-10 °C	-25 °C

Zulassungen

Zulassungen	EN 50130-4 EN 61000-6-3 FCC Abschnitt 15 Teil B Klasse B EN 60950-1 EN 60950-22 EN 60529 IP56 EAC-Zertifizierung
-------------	--

Stromverbrauch

Wechselstrom	Stromverbrauch	Netzfrequenz
230 V AC	0,3 A	50/60 Hz
120 V AC	0,6 A	50/60 Hz
24 V AC	1,8 A	50/60 Hz

Netzteil

Die AXIS Waschanlage A kann mit drei verschiedenen Versorgungsspannungen betrieben werden:

- 230 V
- 120 V
- 24 V

Sicherungen

Die AXIS Waschanlage A wird mit einer 230-V-Sicherung auf Position FUS1 geliefert. Entfernen Sie bei einer anderen Versorgungsspannung die Sicherung aus Position FUS1 und setzen Sie diese an der richtigen Position (FUS2 oder FUS3) ein. Siehe Tabelle.

▲VORSICHT

- Elektrische Leitungen müssen bei getrennter Stromversorgung und geöffnetem Trennschalter angeschlossen werden.
- Gehen Sie zu Beginn der Installation sicher, dass die Stromversorgung den Anforderungen des Geräts entspricht.

Spannung	Sicherungshalter
230 V AC	FUS1 (vormontiert)
120 V AC	FUS2
24 V AC	FUS3

AXIS Washer Kit A

Informationen zu Sicherungspositionen finden Sie unter *Übersicht über die Hardware*.

HINWEIS

- Stellen Sie sicher, dass die Stromquelle und die Anschlusskabel für den Stromverbrauch des Systems geeignet sind.
- Verwenden Sie ein für den Einsatz im Außenbereich geeignetes Netzkabel.

Installieren der Hardware

Installation des Pumpentanks

1. Bringen Sie den Metallkäfig mithilfe der dafür vorgesehenen Bohrungen an einer Wand an.
2. Entnehmen Sie den Stopfen sowie die Pumpe und die Füllstandsanzeige aus dem Tank.
3. Entfernen Sie den Tank aus dem Metallkäfig.

Siehe Abbildungen unter *Übersicht über die Hardware*.

⚠VORSICHT

Stellen Sie sicher, dass das Netzteil nicht angeschlossen ist, bevor Sie fortfahren.

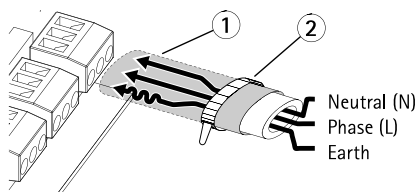
HINWEIS

- Es wird empfohlen, den Tank mit Wasser auf Zimmertemperatur zu füllen. Geben Sie eine ausreichende Menge Glasreiniger mit Frostschutzmittel in den Tank, wenn die Pumpe bei Temperaturen unter 3°C betrieben wird. Alle handelsüblichen Frostschutzmittel sind geeignet.
- Frostschutzmittel verursacht jedoch irreparable Schäden an den Germaniumfenstern. Verwenden Sie bei diesen Fenstern kein Frostschutzmittel. Verwenden Sie bei Germaniumfenstern stattdessen Ethylalkohol in einer 20%igen Lösung.
- Das Produkt muss mit geeigneten Teilen befestigt werden. Die Befestigung muss die Dichtheit bis zu einer Belastung mit dem Dreifachen des Gerätegewichts gewährleisten.

Anschluss der Stromversorgung

Verbinden Sie den Netzanschluss J1 über ein geeignetes mehradriges Kabel mit dem Stromnetz. Die Position des Verteilers finden Sie unter *Übersicht über die Hardware*.

Führen Sie die mitgelieferte Silikonummantelung über das Netzkabel und befestigen Sie diese mit einem Kabelbinder, wie im Folgenden dargestellt.



- 1 Silikonummantelung
- 2 Kabelbinder

HINWEIS

- Der Erdungsleiter sollte etwa 10 mm länger sein als die beiden anderen, sodass dieser bei Zugbelastung nicht unbeabsichtigt getrennt wird.
- Alle Leiter der Anschlüsse müssen von den anderen Niederspannungsstromkreisen getrennt werden. Das Trennen eines Leiters darf den Schutz vor elektrischen Schlägen nicht beeinträchtigen.

DEUTSCH

Anschluss der Pumpe

Schließen Sie den Schwenk- und Neigemotor an Anschluss J9 an, wie in der folgenden Tabelle beschrieben.

Anschluss	Beschreibung	Q86-Kamera
CP	Pumpensteuerung	O1
GCP	GND (Pumpensteuerung)	C1

Beachten

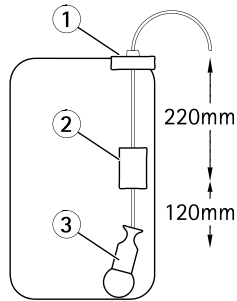
Alle Verbindungen an Anschluss J9 müssen eine sehr geringe Schutzspannung aufweisen.

Installation der Pumpe

Befüllen Sie den Tank mit Wasser und setzen Sie ihn in den Metallkäfig ein. Siehe *Übersicht über die Hardware*.

Setzen Sie die Pumpe und den Schwimmer in den Tank ein, wie in der folgenden Abbildung dargestellt, und schrauben Sie den Stopfen fest.

AXIS Washer Kit A

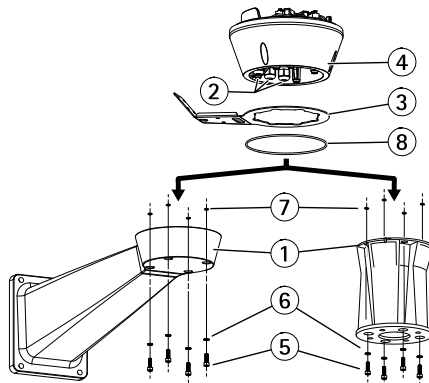


- 1 Stopfen
- 2 Schwimmer
- 3 Pumpe

HINWEIS

Nehmen Sie die Pumpe nicht bei leerem Tank in Betrieb.

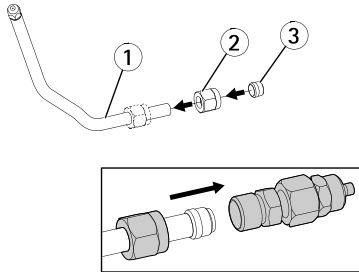
Installation der Waschanlage



- 1 Halterung
- 2 Kabelverschraubungen
- 3 Rohrhalterung
- 4 Geräteeinheit

- 5 Schrauben
- 6 Unterlegscheiben
- 7 Schraubendichtungen
- 8 Dichtung

Platzieren Sie beim Befestigen der Halterung die Rohrhalterung in der gewünschten Position. Ziehen Sie die Kabel durch die Halterung, bis diese etwa um 50 cm herausragen. Führen Sie die Kabel durch die Kabelverschraubungen. Sorgen Sie für einen Abstand von etwa 20 cm zwischen Geräteeinheit und Halterung. Schließen Sie die Kabelverschraubungen. Setzen Sie die Geräteeinheit auf die Halterung und passen Sie die Kabelführung an. Befestigen Sie die Geräteeinheit mithilfe der beiliegenden Schrauben, Unterlegscheiben, Schraubendichtungen und Dichtung an der Halterung.



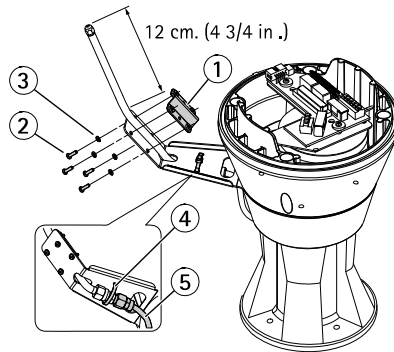
- 1 Rohrhalterung
- 2 Mutter
- 3 Dichtring

Schneiden Sie die Kabel auf die richtige Länge zu. Schließen Sie die Positionierungseinheit (erneut) an. Kürzen Sie das Wascherrohr bei Bedarf. Lösen Sie die Mutter und führen Sie sie das Rohr entlang. Streifen Sie den Dichtring über das Rohrende. Befestigen Sie die Mutter an der Kupplung.

Beachten

Stellen Sie sicher, dass das Wascherrohr fest sitzt, damit kein Wasser austreten kann. Schrauben Sie die Verbindung fester zu, wenn Wasser austritt.

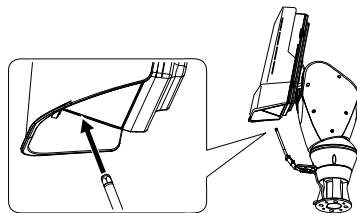
AXIS Washer Kit A



- 1 Halterung
- 2 Schrauben
- 3 Unterlegscheiben
- 4 Schlauchklemme
- 5 Zufuhrschlauch

Befestigen Sie das Rohr mithilfe der Klemme, den Schrauben und Unterlegscheiben an der Wascherhalterung. Arretieren Sie die Kupplung mithilfe der beiliegenden Schlauchklemme. Schließen Sie den Zufuhrschlauch an.

Richten Sie die Düse auf das Glas des Gehäuses, um den Strahl einzustellen. Siehe folgende Abbildung.



Weitere Informationen

Unter www.axis.com finden Sie die neuste Version dieses Dokuments.

Besuchen Sie das Axis-Schulungszentrum www.axis.com/academy für anregende Schulungen, Webinare, Lernprogramme und Anleitungen.

Gewährleistungsinformationen

Informationen zur Gewährleistung der Axis Produkte und andere, hierzu relevante Informationen, finden Sie unter www.axis.com/warranty/

Informazioni di sicurezza

Leggere con attenzione questa guida all'installazione prima di installare il dispositivo. Conservare questo documento per usi futuri.

Livelli di pericolo

▲PERICOLO

Indica una situazione pericolosa che, se non evitata, provoca morte o lesioni gravi.

▲AVVERTENZA

Indica una situazione pericolosa che, se non evitata, può provocare la morte o lesioni gravi.

▲ATTENZIONE

Indica una situazione pericolosa che, se non evitata, può provocare lesioni medie o minori.

AWISO

Indica una situazione che, se non evitata, può danneggiare la proprietà.

Altri livelli di messaggio

Importante

Indica informazioni importanti, essenziali per il corretto funzionamento del dispositivo.

Nota

Indica informazioni utili che aiutano ad ottenere il massimo risultato dal dispositivo.

Informazioni di sicurezza

⚠AVVERTENZA

- Il dispositivo Axis deve essere installato da un professionista qualificato.

AVVISO

- Il dispositivo Axis deve essere utilizzato in conformità alle leggi e alle disposizioni locali.
- Conservare il dispositivo Axis in un ambiente asciutto e ventilato.
- Evitare di esporre il dispositivo Axis a urti o pressioni eccessive.
- Evitare di esporre il dispositivo Axis a vibrazione.
- Non installare il dispositivo su supporti, superfici o pareti instabili.
- Non installare il dispositivo su supporti, superfici o pareti che vibrano.
- Utilizzare solo strumenti applicabili quando si installa il dispositivo Axis. Se si utilizza una forza eccessiva con strumenti non adatti è possibile causare danni al dispositivo.
- Utilizzare solo accessori compatibili con le specifiche tecniche del dispositivo. Questi possono essere forniti da Axis o da terze parti.
- Utilizzare solo parti di ricambio fornite o consigliate da Axis.
- Non tentare di riparare il dispositivo da soli. Contattare l'assistenza o il rivenditore Axis per questioni relative alla manutenzione.

Trasporto

AVVISO

- Durante il trasporto del dispositivo Axis, utilizzare l'imballaggio originale o equivalente per evitare danni al dispositivo.

Guida all'installazione

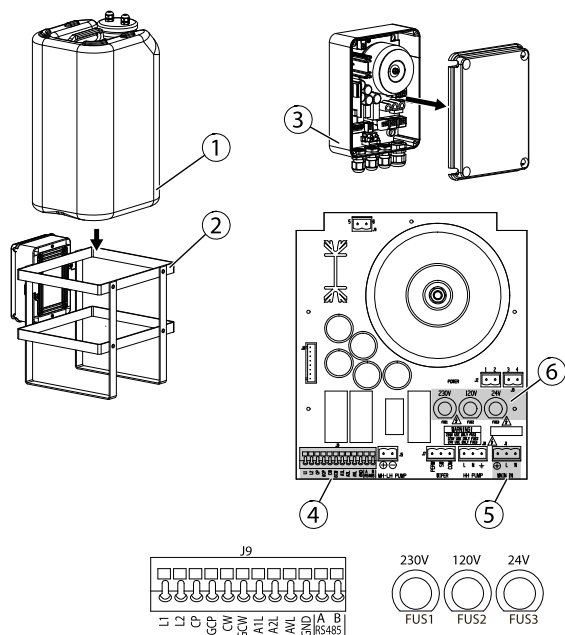
La presente guida all'installazione fornisce le istruzioni necessarie per installare il kit rondella AXIS A.

Contenuto della confezione

- Kit rondella
- Fascetta
- Guaina in silicone
- Connettore del tubo
- Supporto tubo della rondella
- Staffa di bloccaggio per il supporto tubo
- Tubo di mandata
- Tubo della rondella (con ugello)
- Bulloni
- Viti
- Materiali stampati
 - Guida all'installazione (questo documento)

AXIS Washer Kit A

Panoramica dell'hardware



- 1 Serbatoio
- 2 Gabbia in metallo
- 3 Scatola di connessione
- 4 Morsettiera di controllo J9
- 5 Terminale alimentatore
- 6 Posizioni dei fusibili

Dati tecnici

Condizioni di funzionamento

Temperatura massima	Temperatura minima Liquido antigelo in soluzione (massime prestazioni)	Temperatura minima Liquido antigelo in soluzione (prestazioni ridotte)
60°C	-10°C	-25°C

Approvazioni

Approvazioni	EN 50130-4 EN 61000-6-3 FCC Part 15 Sottosezione B Classe B EN 60950-1 EN 60950-22 EN 60529 IP56 Certificazione EAC
--------------	---

Consumo energetico

CA	Consumo corrente	Frequenza della linea elettrica
230 VCA	0,3 A	50 - 60 Hz
120 VCA	0,6 A	50 - 60 Hz
24 VCA	1,8 A	50 - 60 Hz

Alimentatore

Il kit rondella AXIS A può essere alimentato con tre diverse tensioni di alimentazione:

- 230V
- 120V
- 24V

Fusibili

Il kit rondella AXIS A viene fornito con un fusibile premontato per 230V in posizione FUS1. Se l'alimentatore è diverso, rimuovere il fusibile dalla posizione FUS1 e inserirlo nella posizione corretta (FUS2 o FUS3). Vedere la tabella.

ATTENZIONE

- I collegamenti elettrici devono essere eseguiti con l'alimentazione scollegata e l'interruttore aperto.
- Quando si inizia l'installazione, assicurarsi che le specifiche per l'alimentazione corrispondano a quelle richieste dal dispositivo.

Tensione	Supporto fusibile
230 VCA	FUS1 (premontato)

AXIS Washer Kit A

120 VCA	FUS2
24 VCA	FUS3

Per le posizioni dei fusibili, vedere *Panoramica dell'hardware*.

AWISO

- Assicurarsi che la sorgente di alimentazione e i cavi di collegamento siano adatti per il consumo energetico del sistema.
- Utilizzare un cavo di alimentazione adatto all'uso in ambienti esterni.

Installazione dell'hardware

Installazione del serbatoio della pompa

1. Fissare la gabbia in metallo a un muro utilizzando le viti fornite.
2. Estrarre la spina dal serbatoio, insieme a eventuali pompe e misuratori di livello.
3. Rimuovere il serbatoio dalla gabbia in metallo.

Vedere *Panoramica dell'hardware* per le immagini.

▲ATTENZIONE

Prima di iniziare qualsiasi attività, assicurarsi che l'alimentazione sia scollegata.

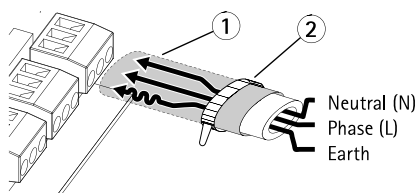
AWISO

- Si raccomanda di riempire il serbatoio con acqua a temperatura ambiente. Se si utilizza la pompa a temperature inferiori a 3°C aggiungere nell'acqua del liquido antigelo detergente per vetri. Si può utilizzare qualsiasi liquido antigelo standard.
- Il liquido antigelo provoca danni irreparabili alle finestre in germanio. Non usare il liquido antigelo per questo tipo di finestre. Per le finestre in germanio utilizzare alcool etilico in soluzione al 20%.
- Il prodotto deve essere fissato con attrezzature idonee. I mezzi di fissaggio devono garantire la tenuta meccanica quando viene applicata una forza pari ad almeno 3 volte il peso del dispositivo.

Connessione dell'alimentatore

Collegare il terminale dell'alimentatore J1 alla rete elettrica mediante un cavo opportunamente sezionato. Per la posizione della scheda di connessione, vedere *Panoramica dell'hardware*.

Coprire il cavo di alimentazione con la guaina in silicone in dotazione e fissarla con una fascetta, vedere la seguente immagine.



- 1 Guaina in silicone
- 2 Fascetta

AWISO

- Il cavo di terra deve essere circa 10 mm più lungo degli altri due cavi, per evitare lo scollegamento accidentale.
- Tutti i conduttori dei morsetti devono essere separati dagli altri circuiti a bassa tensione. Lo scollegamento di un filo non deve compromettere la protezione da scosse elettriche.

Connessione della pompa

Collegare l'unità rotazione/inclinazione al terminale J9 come descritto nella tabella seguente.

Terminale	Descrizione	Telecamera Q86
CP	Comando pompa	O1
GCP	GND (comando pompa)	C1

Nota

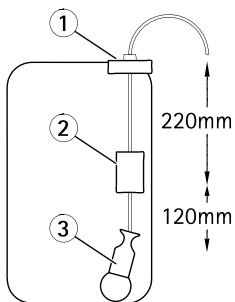
Tutte le connessioni del terminale J9 devono avere una bassissima tensione di sicurezza.

Installazione della pompa

Riempire il serbatoio con acqua e inserirlo nella gabbia di metallo, vedere *Panoramica dell'hardware*

Inserire la pompa e il galleggiante all'interno del serbatoio e avvitare il tappo, vedere la seguente immagine.

AXIS Washer Kit A

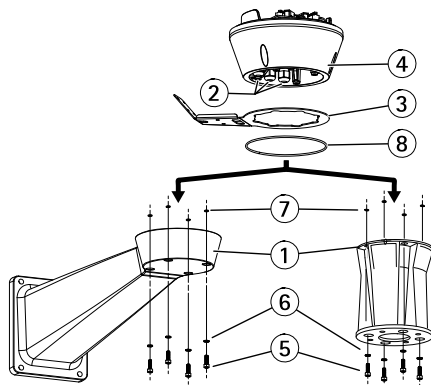


- 1 Tappo
- 2 Galleggiante
- 3 Pompa

AWISO

Non avviare la pompa quando il serbatoio è vuoto.

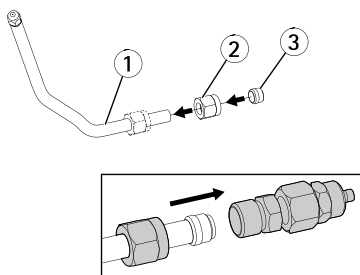
Installazione della rondella



- 1 Unità di supporto
- 2 Pressacavi
- 3 Supporto tubo della rondella
- 4 Unità base

- 5 Viti
- 6 Rondelle
- 7 Guarnizioni viti
- 8 Guarnizione

Per fissare l'unità di supporto, posizionare il supporto tubo della rondella nella posizione desiderata. Inserire i cavi all'interno del supporto in modo che sporgano di circa 50 cm. Inserire il cavo nei pressacavi. Mantenendo l'unità base distante dall'unità supporto per circa 20 cm, bloccare i pressacavi. Impostare l'unità base sul cavalletto disponendo i cavi all'interno. Fissare l'unità base all'unità supporto utilizzando le viti, le rondelle, le guarnizioni viti e la guarnizione fornite.



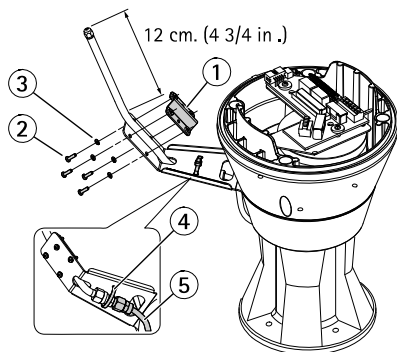
- 1 Tubo della rondella
- 2 Dado
- 3 Ogiva

Tagliare i cavi a misura e ripristinare o effettuare i collegamenti all'unità di posizionamento. Accorciare il tubo della rondella in base alle esigenze. Svitare il dado e farlo scorrere lungo il tubo. Inserire l'estremità del tubo nell'ogiva. Bloccare il dado all'attacco.

Nota

Assicurarsi che il tubo della rondella sia serrato saldamente per evitare perdite d'acqua. In caso di perdite d'acqua, è necessario stringere ulteriormente.

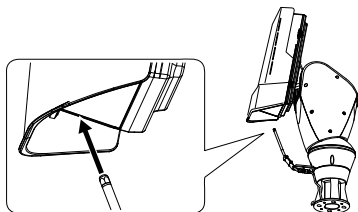
AXIS Washer Kit A



- 1 Staffa
- 2 Viti
- 3 Rondelle
- 4 Fascetta
- 5 Tubo di mandata

Fissare il tubo al supporto della rondella utilizzando le staffe, le viti e le rondelle fornite. Bloccare l'attacco con la fascetta fornita e collegare il tubo di mandata.

Per calibrare il getto, dirigere l'ugello verso il vetro della custodia. Vedere l'illustrazione seguente.



Ulteriori Informazioni

Per la versione più recente di questo documento, visitare il sito all'indirizzo www.axis.com

Visitare il centro di apprendimento Axis alla pagina www.axis.com/academy per servizi di formazione utili, webinar, tutorial e guide.

Informazioni sulla garanzia

Per informazioni sulla garanzia del dispositivo Axis e informazioni ad esso relative, consultare la pagina www.axis.com/warranty/

Información de seguridad

Lea esta Guía de instalación con atención antes de instalar el producto. Guarde la Guía de instalación para poder consultarla en otro momento.

Niveles de peligro

▲PELIGRO

Indica una situación peligrosa que, si no se evita, provocará lesiones graves o la muerte.

▲ADVERTENCIA

Indica una situación peligrosa que, si no se evita, puede provocar lesiones graves o la muerte.

▲ATENCIÓN

Indica una situación peligrosa que, si no se evita, puede provocar lesiones moderadas o leves.

AVISO

Indica una situación peligrosa que, si no se evita, puede provocar daños materiales.

Otros niveles de mensaje

Importante

Indica información importante que es fundamental para que el producto funcione correctamente.

Nota

Indica información útil que ayuda a aprovechar el producto al máximo.

AXIS Washer Kit A

Instrucciones de seguridad

⚠ADVERTENCIA

- El encargado de instalar el producto de Axis debe ser un profesional con experiencia.

AVISO

- El producto de Axis debe utilizarse de acuerdo con la legislación y la normativa locales.
- Almacene el producto de Axis en un entorno seco y ventilado.
- Evite la exposición del producto de Axis a choques o a una fuerte presión.
- Evite la exposición del producto de Axis a vibraciones.
- No instale el producto en soportes, superficies o paredes inestables.
- No instale el producto en soportes, superficies o paredes que vibren.
- Utilice solo las herramientas correspondientes cuando instale el producto de Axis. La aplicación de una fuerza excesiva con herramientas eléctricas puede provocar daños en el producto.
- Utilice solo accesorios que cumplan con las especificaciones técnicas del producto. Estos accesorios los puede proporcionar Axis o un tercero.
- Utilice solo piezas de repuesto proporcionadas o recomendadas por Axis.
- No intente reparar el producto usted mismo. Póngase en contacto con el servicio de asistencia técnica de Axis o con su distribuidor de Axis para tratar asuntos de reparación.

Transporte

AVISO

- Cuando transporte el producto de Axis, utilice el embalaje original o un equivalente para evitar daños en el producto.

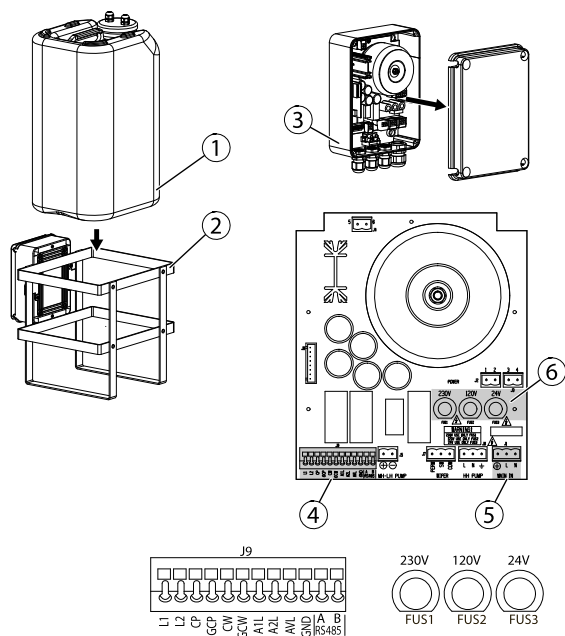
Guía de instalación

Esta guía de instalación incluye las instrucciones necesarias para instalar el kit A del limpiador AXIS.

Contenido del paquete

- Kit de limpiador
- Brida
- Cubierta de silicona
- Conector de la tubería
- Soporte de la tubería del limpiador
- Soporte de bloqueo para la sujeción de la tubería
- Tubería de suministro
- Tubería del limpiador (con boquilla)
- Pernos
- Tornillos
- Materiales impresos
 - Guía de instalación (este documento)

Información general del hardware



- 1 Depósito
- 2 Cesta metálica
- 3 Caja de conexiones
- 4 Terminal de control J9
- 5 Terminal de fuente de alimentación
- 6 Posiciones de los fusibles

Especificaciones

Condiciones de funcionamiento

Temperatura máxima	Temperatura mínima Líquido anticongelante en solución (pleno rendimiento)	Temperatura mínima Líquido anticongelante en solución (rendimiento reducido)
60°C	-10°C	-25°C

Homologaciones

Homologaciones	EN 50130-4 EN 61000-6-3 FCC Parte 15 Subparte B Clase B EN 60950-1 EN 60950-22 EN 60529 IP56 Certificación EAC
----------------	--

Consumo

CA	Consumo de corriente	Frecuencia de la línea de alimentación
230 V CA	0,3 A	50/60 Hz
120 V CA	0,6 A	50/60 Hz
24 V CA	1,8 A	50/60 Hz

Fuente de alimentación

El kit A del limpiador AXIS puede funcionar con tres tensiones de fuente de alimentación diferentes:

- 230 V
- 120 V
- 24 V

Fusibles

El kit A del limpiador AXIS incluye un fusible premontado de 230 V colocado en la posición FUS1. Si la fuente de alimentación es diferente, extraiga el fusible de la posición FUS1 e insértelo en la posición correcta (FUS2 o FUS3). Vea la tabla.

AXIS Washer Kit A

⚠️ ATENCIÓN

- Las conexiones eléctricas se deben realizar con la fuente de alimentación desconectada y el disyuntor abierto.
- Al iniciar la instalación, asegúrese de que las especificaciones de la fuente de alimentación se corresponden con las que requiere el dispositivo.

Tensión	Portafusible
230 V CA	FUS1 (premontado)
120 V CA	FUS2
24 V CA	FUS3

Consulte *Información general del hardware* para conocer las posiciones de los fusibles.

AVISO

- Asegúrese de que la fuente de alimentación y los cables de conexión son los adecuados para el consumo de energía del sistema.
- Utilice un cable de alimentación adecuado para uso en exteriores.

Instalación del hardware

Instalación del depósito de la bomba

1. Fije la cesta metálica a una pared mediante los orificios suministrados.
2. Extraiga el tapón del depósito junto con las bombas y los indicadores de nivel.
3. Extraiga el depósito de la cesta metálica.

Consulte *Información general del hardware* para ver algunas imágenes.

⚠️ ATENCIÓN

Antes de hacer nada, asegúrese de que la fuente de alimentación esté desconectada.

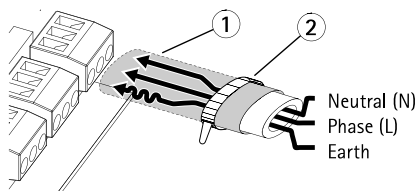
AVISO

- Se recomienda llenar el depósito de agua a temperatura ambiente. Si utiliza la bomba a temperaturas inferiores a 3°C, añada una pequeña cantidad de líquido anticongelante para limpiadores de cristal al agua. Puede utilizar cualquier líquido anticongelante estándar.
- El líquido anticongelante causará daños irreparables a las ventanas de germanio. No utilice líquido anticongelante con este tipo de ventanas. Para las ventanas de germanio utilice alcohol etílico en una solución al 20 %.
- El producto se debe sujetar con el equipo adecuado. Los medios de sujeción deben garantizar el sellado mecánico en caso de aplicar una fuerza igual o inferior a tres veces el peso del dispositivo.

Conexión de la fuente de alimentación

Conecte el terminal J1 de la fuente de alimentación a la red eléctrica mediante un cable debidamente seccionado. Para conocer la ubicación de la placa de conexión, consulte *Información general del hardware*.

Cubra el cable de la fuente de alimentación con la cubierta de silicona suministrada y fíjela con una brida, tal y como se muestra en la siguiente imagen.



- 1 Cubierta de silicona
- 2 Brida

AVISO

- El cable de conexión a tierra debe ser unos 10 mm más largo que los otros dos para evitar la desconexión accidental en caso de tirar de él.
- Todos los conductores de los terminales se deben separar de los otros circuitos de baja tensión. La desconexión de un cable no debe poner en peligro la protección contra descargas eléctricas.

AXIS Washer Kit A

Conexión de la bomba

Conecte el movimiento horizontal y vertical al terminal J9 tal y como se describe en la siguiente tabla.

Terminal	Descripción	Cámara Q86
CP	Control de la bomba	O1
GCP	GND (control de la bomba)	C1

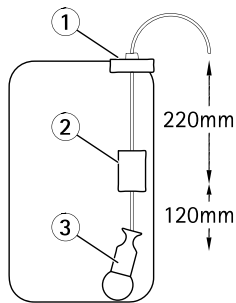
Nota

Todas la conexiones del terminal J9 deben tener una tensión de seguridad muy baja.

Instalación de la bomba

Llene el depósito con agua e introdúzcalo en la cesta metálica, consulte *Información general del hardware*

Introduzca la bomba y el flotador en el depósito y atornille el tapón, tal y como se muestra en la siguiente imagen.

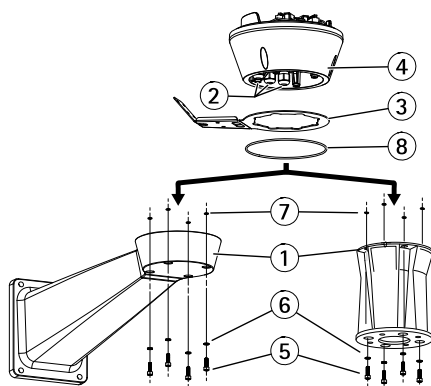


- 1 Tapón
- 2 Flotador
- 3 Bomba

AVISO

No inicie la bomba si el depósito se encuentra vacío.

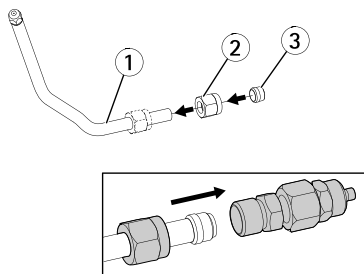
Instalación del limpiador



- 1 *Unidad de soporte*
- 2 *Prensaestopas*
- 3 *Soporte de la tubería del limpiador*
- 4 *Unidad base*
- 5 *Tornillos*
- 6 *Arandelas*
- 7 *Juntas de los tornillos*
- 8 *Junta*

Al fijar la unidad de soporte, coloque el soporte de la tubería del limpiador en la posición deseada. Inserte los cables en el soporte para que sobresalgan unos 50 cm. Inserte el cable en los prensaestopas. Mantenga la unidad base a unos 20 cm de la unidad de soporte y fije los prensaestopas. Coloque la unidad base en la plataforma y organice los cables del interior. Fije la unidad base a la unidad de soporte mediante los tornillos, arandelas, juntas de tornillos y la junta suministrados.

AXIS Washer Kit A

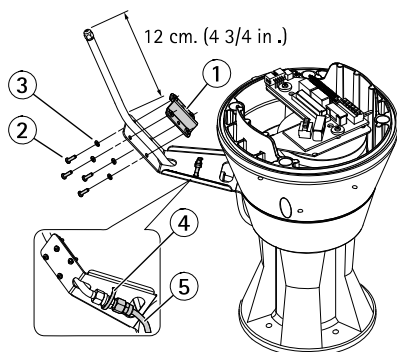


- 1 *Tubería del limpiador*
- 2 *Tuerca*
- 3 *Ojiva*

Corte los cables según el tamaño y restaure o realice las conexiones a la unidad de posicionamiento. Acorte la tubería del limpiador según sea necesario. Afloje la tuerca y deslícela por la tubería. Inserte el extremo de la tubería en la ojiva. Fije la tuerca en el acoplamiento.

Nota

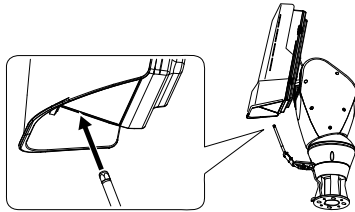
Asegúrese de que la tubería del limpiador se ha fijado correctamente para evitar fugas de agua. En caso de fugas de agua, deberá apretarla más.



- 1 *Soporte*
- 2 *Tornillos*
- 3 *Arandelas*
- 4 *Clip del tubo*
- 5 *Tubo de suministro*

Acople la tubería al soporte del limpiador mediante el soporte, los tornillos y las arandelas suministradas. Fije el acoplamiento mediante el clip de tubo suministrado y conecte el tubo de suministro.

Para calibrar el chorro, dirija la boquilla al cristal de la carcasa. Vea la siguiente imagen.



Más información

Para consultar la versión más reciente de este documento, vaya a www.axis.com

Visite el centro de aprendizaje de www.axis.com/academy para consultar guías, tutoriales, seminarios web y cursos que pueden resultarle útiles.

Información de garantía

Para obtener más detalles sobre la garantía del producto Axis y la información relacionada con ella, consulte www.axis.com/warranty/

安全情報

本製品を設置する前に、このインストールガイドをよくお読みください。インストールガイドは、後で参照できるように保管しておいてください。

危険レベル

▲危険

回避しない場合、死亡または重傷につながる危険な状態を示します。

▲警告

回避しない場合、死亡または重傷につながるおそれのある危険な状態を示します。

▲注意

回避しない場合、軽傷または中程度の怪我につながるおそれのある危険な状態を示します。

注記

回避しない場合、器物の破損につながるおそれのある状態を示します。

その他のメッセージレベル

重要

製品を正しく機能させるために不可欠な重要情報を示します。

注意

製品を最大限に活用するために役立つ有用な情報を示します。

安全手順

▲警告

- 本製品の設置は、訓練を受けた専門技術者が行ってください。

注記

- 本製品は、お使いになる地域の法律や規制に準拠して使用してください。
- 本製品は乾燥した換気のよい環境に保管してください。
- 本製品に衝撃または強い圧力を加えないでください。
- 本製品に振動を加えないでください。
- 本製品を不安定なブラケット、表面、または壁に設置しないでください。
- 本製品を振動するブラケット、表面、または壁に設置しないでください。
- 本製品を設置する際には、適切な工具のみを使用してください。電動工具を使用して過剰な力をかけると、製品が損傷することがあります。
- 製品の技術仕様に準拠したアクセサリーのみを使用してください。これらのアクセサリーは、Axisまたはサードパーティから入手できます。
- Axisが提供または推奨する交換部品のみを使用してください。
- 製品を自分で修理しないでください。修理については、Axisサポートまたは販売代理店にお問い合わせください。

輸送

注記

- 本製品を運搬する際は、製品が損傷しないよう、元の梱包か同等の梱包を使用してください。

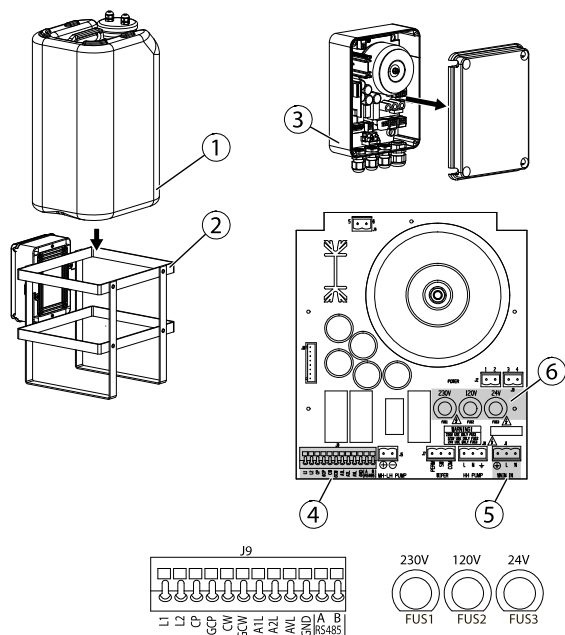
インストールガイド

このインストールガイドでは、AXISワッシャーキットAをインストールする手順について説明します。

パッケージの内容

- ワッシャーキット
- ストラップ
- シリコンシース
- パイプコネクタ
- ワッシャーパイプサポート
- パイプサポート用固定ブラケット
- デリバリーパイプ
- ワッシャーパイプ(ノズル付き)
- ボルト
- ネジ
- 印刷物
 - インストールガイド(本書)

ハードウェアの概要



- 1 タンク
- 2 金属製ケージ
- 3 接続ボックス
- 4 制御ターミナルJ9
- 5 電源ターミナル
- 6 ヒューズ位置

仕様

動作条件

最大温度	最低温度 不凍液を使用 (フルパフォーマンス)	最低温度 不凍液を使用 (パフォーマンスが低減)
60°C	-10°C	-25°C

認証規格

認証規格	EN 50130-4 EN 61000-6-3 FCC Part 15 Subpart B Class B EN 60950-1 EN 60950-22 EN 60529 IP56 EAC認証
------	--

消費電力

AC	消費電流	電源周波数
230 V AC	0.3 A	50/60 Hz
120 V AC	0.6 A	50/60 Hz
24 V AC	1.8 A	50/60 Hz

電源

AXISワッシャーキットAには、次の異なる3つの電源電圧で給電できます。

- 230V
- 120V
- 24V

ヒューズ

AXISワッシャーキットAには、FUS1の位置に230Vの取り付け済みヒューズが付属しています。電源が異なる場合は、ヒューズをFUS1の位置から取り外し、正しい位置(FUS2またはFUS3)に挿入します。表を参照してください。

▲注意

- 電気接続は、電源を切断してサーキットブレーカーが開いた状態で行ってください。
- 設置を開始するときは、電源の仕様が、デバイスで要求されている仕様に対応するようにしてください。

電圧	ヒューズホルダー
230 V AC	FUS1 (事前に取り付け済み)

AXIS Washer Kit A

120 V AC	FUS2
24 V AC	FUS3

ヒューズ位置については、ハードウェアの概要を参照してください。

注記

- 電源および接続ケーブルが、システムの消費電力に適していることを確認してください。
- 屋外対応に適した電源ケーブルを使用してください。

ハードウェアの設置

ポンプタンクの設置

- 付属の穴を使用して、金属製ケージを壁面に取り付けます。
- プラグ、ポンプ、およびレベルゲージをタンク外に出します。
- 金属製ケージからタンクを取り外します。

画像については、ハードウェアの概要を参照してください。

▲注意

操作を開始する前に、電源が切断されていることを確認します。

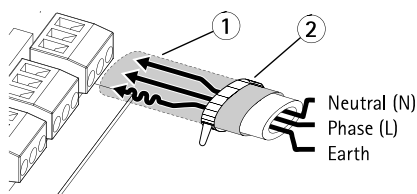
注記

- タンクを室温の水で満たすことをお勧めします。ポンプを3°C未満の温度で使用している場合は、水にガラスクリーナーの不凍液を適宜追加してください。標準的な不凍液であれば何でも使用できます。
- 不凍液はゲルマニウムウィンドウの修復不可能な破損の原因となります。このタイプのウィンドウには不凍液を使用しないでください。ゲルマニウムウィンドウには、エチルアルコールを20%に希釈して使用してください。
- 本製品は適切な装置で固定する必要があります。デバイス重量の最低3倍に相当する力が加わる場合でも、その固定方法でメカニカルシールが保証される必要があります。

電源接続

適切に分割されたケーブルを使用し、電源ターミナルJ1を電気ネットワークに接続します。接続ボードの位置については、ハードウェアの概要を参照してください。

付属のシリコンシースで電源ケーブルを覆い、ストラップで固定してください。下の図を参照してください。



- 1 シリコンシース
- 2 ストラップ

注記

- アース線は他の2本より10 mmほど長くし、引っ張られたときに不意に切断しないようにする必要があります。
- ターミナルの導体はすべて、他の低電圧回路から分離する必要があります。ワイヤーが切断されても、感電からの保護が失われないようにする必要があります。

ポンプ接続

以下の表の説明に従い、パン/チルトをJ9ターミナルに接続します。

ターミナル	説明	Q86カメラ
CP	ポンプコントロール	O1
GCP	GND (ポンプコントロール)	C1

注意

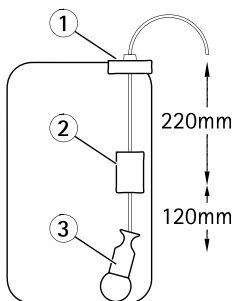
ターミナルJ9のすべての接続は、安全な超低電圧をなっている必要があります。

ポンプの設置

タンクを水で満たし、それを金属製ケージに挿入します。ハードウェアの概要を参照してください

AXIS Washer Kit A

ポンプおよびフロートをタンク内部に入れ、プラグを取り付けます。以下の図を参照してください。

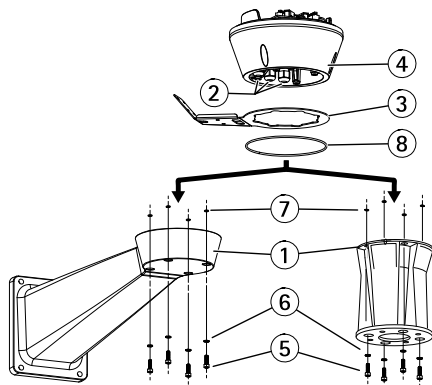


- 1 プラグ
- 2 フロート
- 3 ポンプ

注記

タンクの空の場合は、ポンプを起動しないでください。

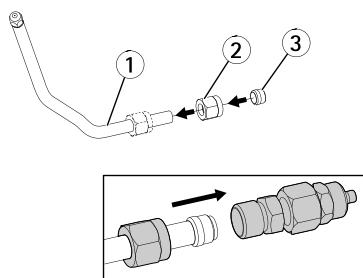
ワッシャーの設置



- 1 サポートユニット

- 2 ケーブルグランド
- 3 ワッシャーパイプサポート
- 4 ベースユニット
- 5 ネジ
- 6 ワッシャー
- 7 スクリューガasket
- 8 ガasket

サポートユニットを固定し、ワッシャーパイプサポートを希望する位置に配置します。ケーブルをサポートユニットの内部に挿入し、50 cmほど突き出るようにします。ケーブルをケーブルグランドに挿入します。ベースユニットをサポートユニットから20 cmほどの位置に保ち、ケーブルグランドを固定します。ベースユニットをスタンドに取り付け、ケーブルを内部に配線します。付属のネジ、ワッシャー、スクリューガasket、およびガasketを使用して、ベースユニットをサポートユニットに装着します。



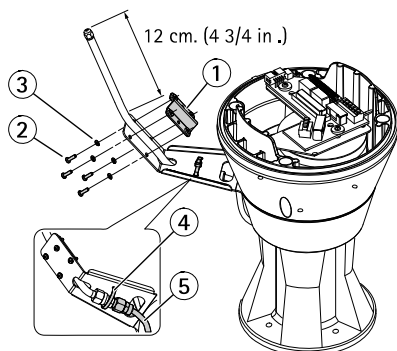
- 1 ワッシャーパイプ
- 2 ナット
- 3 オgeeブ

ケーブルをカットしてサイズを調整し、ポジショニングユニットへの接続を復元または作成します。必要に応じてワッシャーパイプを短くします。ナットを緩め、パイプに沿ってスライドさせます。パイプの末端をOgeeブに挿入します。カップリングにナットを固定します。

注意

ワッシャーパイプをしっかり締め、水漏れしないようにします。水漏れが生じる場合は、さらに締める必要があります。

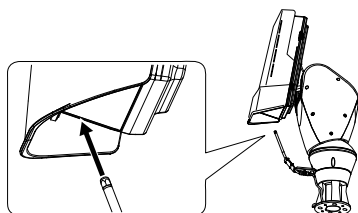
AXIS Washer Kit A



- 1 ブラケット
- 2 ネジ
- 3 ワッシャー
- 4 ホースクリップ
- 5 デリバリーホース

付属のブラケット、ネジ、およびワッシャーを使用して、パイプをワッシャーサポートに装着します。付属のホースクリップを使用してカップリングを固定し、デリバリーホースに接続します。

液を吹き出す位置を微調整するには、ノズルをハウジングのガラスに向けます。下の図を参照してください。



関連情報

本書の最新バージョンについては、www.axis.comにアクセスしてください。

Axisラーニングセンター (www.axis.com/academy) にアクセスしてください。役に立つトレーニング、ウェブセミナー、チュートリアル、ガイドをご用意しています。

保証情報

Axisの製品保証と関連情報については、www.axis.com/warranty/をご覧ください

