

ENGLISH

FRANÇAIS

DEUTSCH

ITALIANO

ESPAÑOL

日本語

中文

AXIS M3014 Network Camera

Installation Guide

Legal Considerations

Video surveillance can be regulated by laws that vary from country to country. Check the laws in your local region before using this product for surveillance purposes.

This product includes one (1) H.264 decoder license. To purchase further licenses, contact your reseller.

Liability

Every care has been taken in the preparation of this document. Please inform your local Axis office of any inaccuracies or omissions. Axis Communications AB cannot be held responsible for any technical or typographical errors and reserves the right to make changes to the product and manuals without prior notice. Axis Communications AB makes no warranty of any kind with regard to the material contained within this document, including, but not limited to, the implied warranties of merchantability and fitness for a particular purpose. Axis Communications AB shall not be liable nor responsible for incidental or consequential damages in connection with the furnishing, performance or use of this material. This product is only to be used for its intended purpose.

Intellectual Property Rights

Axis AB has intellectual property rights relating to technology embodied in the product described in this document. In particular, and without limitation, these intellectual property rights may include one or more of the patents listed at www.axis.com/patent.htm and one or more additional patents or pending patent applications in the US and other countries.

This product contains licensed third-party software. See the menu item "About" in the product's user interface for more information.

This product contains source code copyright Apple Computer, Inc., under the terms of Apple Public Source License 2.0 (see www.opensource.apple.com/aps/). The source code is available from <https://developer.apple.com/bonjour/>

Equipment Modifications

This equipment must be installed and used in strict accordance with the instructions given in the user documentation. This equipment contains no user-serviceable components. Unauthorized equipment changes or modifications will invalidate all applicable regulatory certifications and approvals.


Trademark Acknowledgments

AXIS COMMUNICATIONS, AXIS, ETRAX, ARTPEC and VAPIX are registered trademarks or trademark applications of Axis AB in various jurisdictions. All other company names and products are trademarks or registered trademarks of their respective companies.

Apple, Boa, Apache, Bonjour, Ethernet, Internet Explorer, Linux, Microsoft, Mozilla, Real, SMPTE, QuickTime, UNIX, Windows, Windows Vista and WWW are registered trademarks of the respective holders. Java and all Java-based trademarks and logos are trademarks or registered trademarks of Oracle and/or its affiliates. UPnP™ is a certification mark of the UPnP™ Implementers Corporation.

Regulatory Information

Europe

 This product complies with the applicable CE marking directives and harmonized standards:

- Electromagnetic Compatibility (EMC) Directive 2014/30/EU. See *Electromagnetic Compatibility (EMC) on page 2*.
- Low Voltage (LVD) Directive 2014/35/EU. See *Safety on page 3*.
- Restrictions of Hazardous Substances (RoHS) Directive 2011/65/EU. See *Disposal and Recycling on page 3*.

A copy of the original declaration of conformity may be obtained from Axis Communications AB. See *Contact Information on page 3*.

Electromagnetic Compatibility (EMC)

This equipment has been designed and tested to fulfill applicable standards for:

- Radio frequency emission when installed according to the instructions and used in its intended environment.
- Immunity to electrical and electromagnetic phenomena when installed according to the instructions and used in its intended environment.

USA

Using an unshielded network cable (UTP) – This equipment has been tested using an unshielded network cable (UTP) and found to comply with the limits for a Class A digital device, pursuant to part 15 of the FCC Rules. These limits are designed to provide reasonable protection against harmful interference when the equipment is operated in a commercial environment. This equipment generates, uses, and can radiate radio frequency energy and, if not installed and used in accordance with the instruction manual, may cause harmful interference to radio communications. Operation of this equipment in a residential area is likely to cause harmful interference in which case the user will be required to correct the interference at his own expense.

Using a shielded network cable (STP) – This equipment has also been tested using a shielded network cable (STP) and found to comply with the limits for a Class B digital device, pursuant to part 15 of the FCC Rules. These limits are designed to provide reasonable protection against harmful interference in a residential installation. This equipment generates, uses and can radiate radio frequency energy and, if not installed and used in accordance with the instructions, may cause harmful interference to radio communications. However, there is no guarantee that interference will not occur in a particular installation. If this equipment does cause harmful interference to radio or television reception, which can be determined by turning the equipment off and on, the user is encouraged to try to correct the interference by one or more of the following measures:

- Reorient or relocate the receiving antenna.
- Increase the separation between the equipment and receiver.
- Connect the equipment into an outlet on a circuit different from that to which the receiver is connected.
- Consult the dealer or an experienced radio/TV technician for help.

To be used in a residential area or a demanding electrical environment, the product shall be connected using a shielded network cable (STP) that is properly grounded.

Canada

This digital apparatus complies with CAN ICES-3 (Class B). The product shall be connected using a shielded network cable (STP) that is properly grounded. Cet appareil numérique est conforme à la norme CAN NMB-3 (classe B). Le produit doit être connecté à l'aide d'un câble réseau blindé (STP) qui est correctement mis à la terre.

Europe

This digital equipment fulfills the requirements for RF emission according to the Class B limit of EN 55022. The product shall be connected using a shielded network cable (STP) that is properly grounded.

This product fulfills the requirements for immunity according to EN 55024 office and commercial environments.

Australia/New Zealand

This digital equipment fulfills the requirements for RF emission according to the Class B limit of AS/NZS CISPR 22. The product shall be connected using a shielded network cable (STP) that is properly grounded.

Japan

この装置は、クラスB情報技術装置です。この装置は、家庭環境で使用することを目的としています。この装置がラジオやテレビジョン受信機に近接して使用されると、受信障害を引き起こすことがあります。取扱説明書に従って正しい取り扱いをして下さい。本製品は、シールドネットワークケーブル(STP)を使用して接続してください。また適切に接地してください。

Korea

이 기기는 가정용(B급) 전자파적합기기로서 주로 가정에서 사용하는 것을 목적으로 하며, 모든 지역에서 사용할 수 있습니다. 적절히 접지된 STP (shielded twisted pair) 케이블을 사용하여 제품을 연결 하십시오.

Safety

This product complies with IEC/EN 60950-1, Safety of Information Technology Equipment. If its connecting cables are routed outdoors, the product shall be grounded either through a shielded network cable (STP) or other appropriate method.

Disposal and Recycling

When this product has reached the end of its useful life, dispose of it according to local laws and regulations. For information about your nearest designated collection point, contact your local authority responsible for waste disposal. In accordance with local legislation, penalties may be applicable for incorrect disposal of this waste.

Europe



This symbol means that the product shall not be disposed of together with household or commercial waste. Directive 2012/19/EU on waste electrical and electronic equipment (WEEE) is applicable in the European Union member states. To prevent potential harm to human health and the environment, the product must be disposed of in an approved and environmentally safe recycling process. For information about your nearest designated collection point, contact your local authority responsible for waste disposal. Businesses should contact the product supplier for information about how to dispose of this product correctly.

This product complies with the requirements of Directive 2011/65/EU on the restriction of the use of certain hazardous substances in electrical and electronic equipment (RoHS).

China



This product complies with the requirements of the legislative act Administration on the Control of Pollution Caused by Electronic Information Products (ACPEIP).

Contact Information

Axis Communications AB

Emdalavägen 14

223 69 Lund

Sweden

Tel: +46 46 272 18 00

Fax: +46 46 13 61 30

www.axis.com

Support

Should you require any technical assistance, please contact your Axis reseller. If your questions cannot be answered immediately, your reseller will forward your queries through the appropriate channels to ensure a rapid response. If you are connected to the Internet, you can:

- download user documentation and software updates
- find answers to resolved problems in the FAQ database. Search by product, category, or phrase
- report problems to Axis support staff by logging in to your private support area
- chat with Axis support staff
- visit Axis Support at www.axis.com/techsup/

Learn More!

Visit Axis learning center www.axis.com/academy/ for useful trainings, webinars, tutorials and guides.

Safety Information

Read through this Installation Guide carefully before installing the product. Keep the Installation Guide for future reference.

Hazard Levels

▲DANGER

Indicates a hazardous situation which, if not avoided, will result in death or serious injury.

▲WARNING

Indicates a hazardous situation which, if not avoided, could result in death or serious injury.

▲CAUTION

Indicates a hazardous situation which, if not avoided, could result in minor or moderate injury.

NOTICE

Indicates a situation which, if not avoided, could result in damage to property.

Other Message Levels

Important

Indicates significant information which is essential for the product to function correctly.

Note

Indicates useful information which helps in getting the most out of the product.

AXIS M3014 Network Camera

Safety Instructions

NOTICE

- The Axis product shall be used in compliance with local laws and regulations.
- To use the Axis product outdoors, or in similar environments, it shall be installed in an approved outdoor housing.
- Store the Axis product in a dry and ventilated environment.
- Avoid exposing the Axis product to shocks or heavy pressure.
- Do not install the product on unstable brackets, surfaces or walls.
- Use only applicable tools when installing the Axis product. Using excessive force with power tools could cause damage to the product.
- Do not use chemicals, caustic agents, or aerosol cleaners.
- Use a clean cloth dampened with pure water for cleaning.
- Use only accessories that comply with the technical specification of the product. These can be provided by Axis or a third party.
- Use only spare parts provided by or recommended by Axis.
- Do not attempt to repair the product yourself. Contact Axis support or your Axis reseller for service matters.

Transportation

NOTICE

- When transporting the Axis product, use the original packaging or equivalent to prevent damage to the product.

Dome Cover

NOTICE

- Be careful not to scratch, damage or leave fingerprints on the dome cover because this could decrease image quality. If possible, keep the protective plastic on the dome cover until the installation is complete.
- Do not clean a dome cover that looks clean to the eye and never polish the surface. Excessive cleaning could damage the surface.
- For general cleaning of the dome cover it is recommended to use a non-abrasive, solvent-free neutral soap or detergent mixed with pure water and a soft, clean cloth. Rinse well with pure lukewarm water. Dry with a soft, clean cloth to prevent water spotting.
- Never use harsh detergents, gasoline, benzene or acetone etc. and avoid cleaning the dome cover in direct sunlight or at elevated temperatures.

Installation Guide

This Installation Guide provides instructions for installing AXIS M3014 Network Camera on your network. For other aspects of using the product, see the User Manual available at www.axis.com

Installation Steps

1. Make sure the package contents, tools and other materials necessary for the installation are in order. See *page 7*.
2. Study the hardware overview. See *page 8*.
3. Install the hardware. See *page 10*.
4. Access the product. See *page 11*.

Package Contents

- AXIS M3014 Network Camera
- Mounting kit
 - 2 M3 x 4mm screws
 - Plastic drop ceiling mount ring and polycarbonate transparent cover
 - 2 plastic plugs attached to the plastic drop ceiling mount ring
 - Metal camera module holder
 - One allen key (hex key)
- Printed material
 - AXIS M3014 Network Camera Installation Guide
 - Warranty document

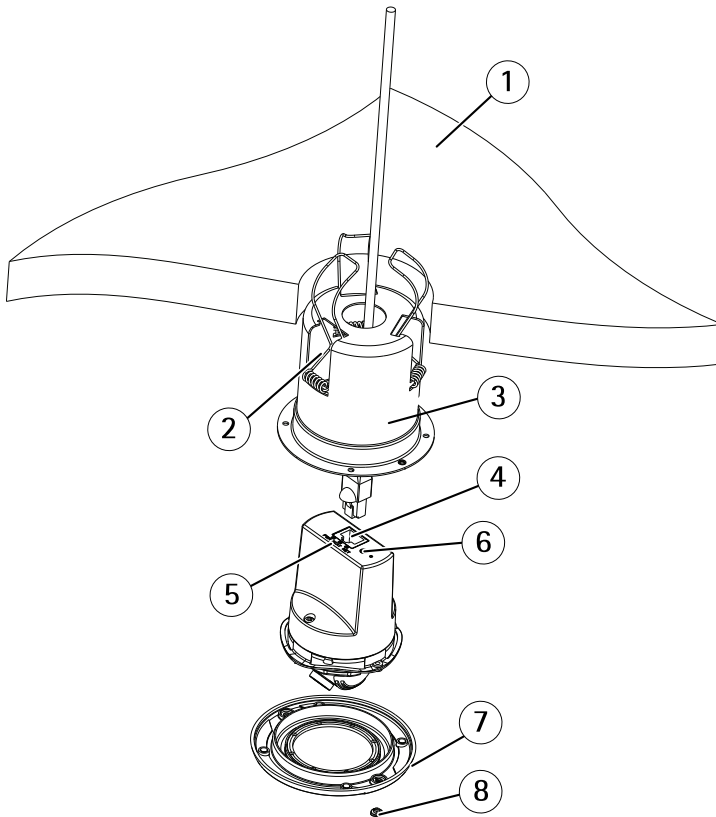
Optional Accessories

- Power over Ethernet midspan (1 port) including mains cable.

For information about available accessories, see www.axis.com

AXIS M3014 Network Camera

Hardware Overview



- 1 Ceiling
- 2 Springs
- 3 Metal camera module holder
- 4 Network connector
- 5 LED indicators
- 6 Control button
- 7 Magnetic dome cover
- 8 Plugs (2x) (may be replaced by tamper-proof screws)

LED Indicators

Note

- The Status LED can be configured to flash while an event is active.

- The Status LED can be configured to flash for identifying the unit. Go to **Setup > System Options > Maintenance** .

Status LED	Indication
Green	Steady green for normal operation.
Amber	Steady during startup. Flashes when restoring settings.
Red	Flashes red for firmware upgrade failure.

Network LED	Indication
Green	Steady for connection to a 100 Mbit/s network. Flashes for network activity.
Amber	Steady for connection to a 10 Mbit/s network. Flashes for network activity.
Unlit	No network connection.

Power LED	Indication
Green	Normal operation.
Amber	Flashes green/amber during firmware upgrade.

Network Connector

RJ45 Ethernet connector with Power over Ethernet (PoE).

NOTICE

Due to local regulations or the environmental and electrical conditions in which the product is to be used, a shielded network cable (STP) may be appropriate or required. All cables connecting the product to the network and that are routed outdoors or in demanding electrical environments shall be intended for their specific use. Make sure that the network devices are installed in accordance with the manufacturer's instructions. For information about regulatory requirements, see *Electromagnetic Compatibility (EMC) on page 2* .

Control Button

For location of the control button, see *Hardware Overview on page 8* .

The control button is used for:

- Resetting the product to factory default settings. See *page 13*.
- Connecting to an AXIS Video Hosting System service or AXIS Internet Dynamic DNS Service. For more information about these services, see the User Manual.

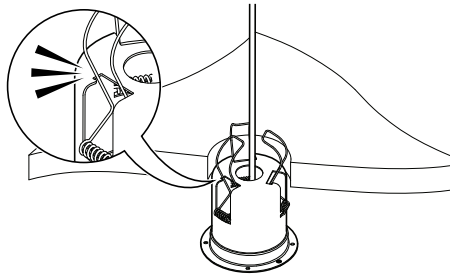
AXIS M3014 Network Camera

Install the Hardware

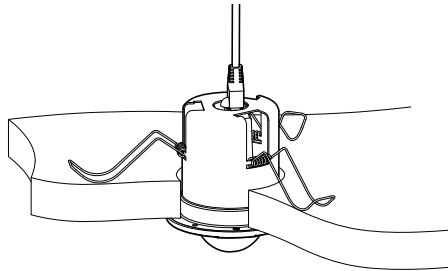
Note

If the camera module holder is mounted onto a hard ceiling such as metal or wood, the metal camera module holder can be screwed onto the ceiling, and the springs can be removed.

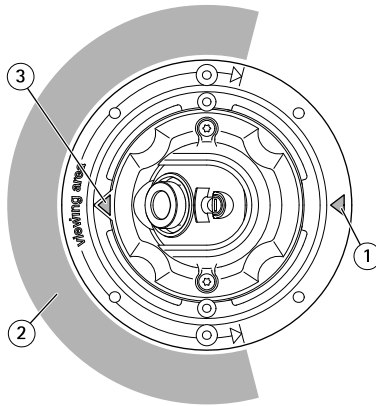
1. Drill a hole (70–76 mm, 2.75–3 inches) in the ceiling to fit the camera's metal camera module holder.
2. Remove the camera from the metal camera module holder.
3. Carefully push and set the three springs on the metal camera module holder back into their slots.
4. Pull the network cable through the ceiling and through the camera's metal camera module holder.
5. Insert the metal camera module holder through the ceiling. Ensure that Viewing area marked on the rim of the cup faces the area that is to be monitored.



6. Fix the metal camera module holder into the ceiling. Insert an instrument such as a screw driver into the metal camera module holder and release the springs so they clamp down on the ceiling and hold the cup in place.



7. Attach the cable to the network connector (supports PoE class 1) in the camera. If PoE is not supported by the network switch, use the supplied PoE midspan/power injector to connect power to the AXIS M3014 Network Camera.
8. Check that the indicator LEDs indicate the correct conditions. For further details, see *LED Indicators on page 8*.
9. Align the camera arrow with the camera module holder arrow and insert the camera into the metal camera module holder.
10. Turn the camera so that the camera arrow points to Viewing area marked on the rim of the metal camera module holder.



- 1 Camera module holder arrow
- 2 Viewing area
- 3 Camera arrow

Access the Product

AXIS IP Utility and AXIS Camera Management are recommended methods for finding Axis products on the network and assigning them IP addresses in Windows®. Both applications are free and can be downloaded from www.axis.com/techsup

The product can be used with most operating systems and browsers. We recommend the following browsers:

- Internet Explorer® with Windows®
- Safari® with OS X®
- Chrome™ or Firefox® with other operating systems.

For more information about using the product, see the User Manual available at www.axis.com

AXIS M3014 Network Camera

Adjust the Lens

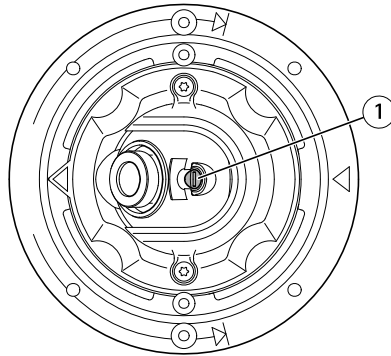
To adjust the position of the lens, follow these steps:

1. Open the Live View page in your web browser.
2. While checking the image in the Live View page, move the lens to the desired position.

Adjust the Focus

The focus of the AXIS M3014 Network Camera is set at the factory from 0.5 m to infinity. It does not normally need adjustment. To focus on objects closer than 0.5 m, or if for some reason the lens has lost focus, this can be adjusted in the following way:

1. Loosen the lens lock screw.
2. Manually rotate the lens to adjust the focus until the image on the Live View page is satisfactory.
3. Gently retighten the lens lock screw.



1 Lens lock screw

Complete the Installation

- Place the magnetic dome cover over the camera. Align the rivet holes.
- The rivet holes can be covered with the plastic plugs provided.
- If the dome needs to be secured, use the tamper-proof screws provided and screw the dome on.

The installation is now complete.

Reset to Factory Default Settings

Important

Reset to factory default should be used with caution. A reset to factory default will reset all settings, including the IP address, to the factory default values.

Note

The installation and management software tools are available from the support pages on www.axis.com/techsup

To reset the product to the factory default settings:

1. Disconnect power from the product.
2. Press and hold the control button and reconnect power. See *Hardware Overview on page 8*.
3. Keep the control button pressed for 15–30 seconds until the status LED indicator flashes amber.
4. Release the control button. The process is complete when the status LED indicator turns green. The product has been reset to the factory default settings. If no DHCP server is available on the network, the default IP address is 192.168.0.90
5. Using the installation and management software tools, assign an IP address, set the password, and access the video stream.

It is also possible to reset parameters to factory default via the web interface. Go to **Setup > System Options > Maintenance** and click **Default**.

Further Information

For the latest version of this document, see www.axis.com

The User Manual is available at www.axis.com

Visit www.axis.com/techsup to check if there is updated firmware available for your network product. To see the currently installed firmware version, go to **Setup > About**.

Visit Axis learning center www.axis.com/academy for useful trainings, webinars, tutorials and guides.

Warranty Information

For information about Axis' product warranty and thereto related information, see www.axis.com/warranty/

Informations sur la sécurité

Lisez attentivement ce guide d'installation avant d'installer l'appareil. Conservez le guide d'installation pour toute référence ultérieure.

Niveaux de risques

▲DANGER

Indique une situation dangereuse qui, si elle n'est pas évitée, entraînera le décès ou des blessures graves.

▲AVERTISSEMENT

Indique une situation dangereuse qui, si elle n'est pas évitée, pourrait entraîner le décès ou des blessures graves.

▲ATTENTION

Indique une situation dangereuse qui, si elle n'est pas évitée, pourrait entraîner des blessures légères ou modérées.

AVIS

Indique une situation qui, si elle n'est pas évitée, pourrait endommager l'appareil.

Autres niveaux de message

Important

Indique les informations importantes, nécessaires pour assurer le bon fonctionnement de l'appareil.

Note

Indique les informations utiles qui permettront d'obtenir le fonctionnement optimal de l'appareil.

Consignes de sécurité

AVIS

- Le produit Axis doit être utilisé conformément aux lois et réglementations locales en vigueur.
- Pour pouvoir utiliser le produit Axis à l'extérieur, ou dans des environnements similaires, il doit être installé dans un boîtier d'extérieur homologué.
- Conserver ce produit Axis dans un environnement sec et ventilé.
- Ne pas exposer ce produit Axis aux chocs ou aux fortes pressions.
- Ne pas installer ce produit sur des supports, surfaces ou murs instables.
- Utiliser uniquement des outils recommandés pour l'installation de l'appareil Axis. L'application d'une force excessive sur l'appareil avec des outils puissants pourrait l'endommager.
- Ne pas utiliser de produits chimiques, de substances caustiques ou de nettoyeurs pressurisés.
- Utiliser un chiffon propre imbibé d'eau pure pour le nettoyage.
- Utiliser uniquement des accessoires conformes aux caractéristiques techniques du produit. Ils peuvent être fournis par Axis ou un tiers.
- Utiliser uniquement les pièces de rechange fournies ou recommandées par Axis.
- Ne pas essayer de réparer vous-même ce produit. Contacter l'assistance technique d'Axis ou votre revendeur Axis pour des problèmes liés à l'entretien.

Transport

AVIS

- Lors du transport du produit Axis, utilisez l'emballage d'origine ou un équivalent pour éviter d'endommager le produit.

Couvercle de dôme

AVIS

- Veillez à ne pas rayer, endommager ou laisser d'empreintes sur le couvercle du dôme car cela pourrait altérer la qualité d'image. Laissez, si possible, la protection en plastique sur le couvercle du dôme jusqu'à la fin de l'installation.
- Ne nettoyez pas le couvercle du dôme s'il semble propre à l'œil nu et ne frottez jamais sa surface. Un nettoyage excessif pourrait endommager la surface.
- Pour le nettoyage général du couvercle du dôme, il est recommandé d'utiliser un produit non abrasif, un savon neutre sans solvant ou un détergent mélangé avec de l'eau pure et un chiffon doux propre. Rincez bien à l'eau tiède pure. Séchez avec un chiffon doux et propre pour éviter les tâches d'eau.

- N'utilisez jamais de détergents agressifs, d'essence, de benzène ou d'acétone, etc. et évitez toute exposition directe aux rayons du soleil ou à des températures élevées lors du nettoyage.

Guide d'installation

Ce guide d'installation vous explique comment installer la caméra réseau AXIS M3014 sur votre réseau. Pour toute autre information relative à l'utilisation du produit, consultez le manuel de l'utilisateur disponible sur le site www.axis.com

Procédure d'installation

1. Assurez-vous que les outils et autres matériels nécessaires à l'installation sont inclus dans l'emballage. Cf. *page 19*.
2. Consultez la description du matériel. Cf. *page 20*.
3. Installez le matériel. Cf. *page 22*.
4. Utilisez le produit. Cf. *page 24*.

Contenu de l'emballage

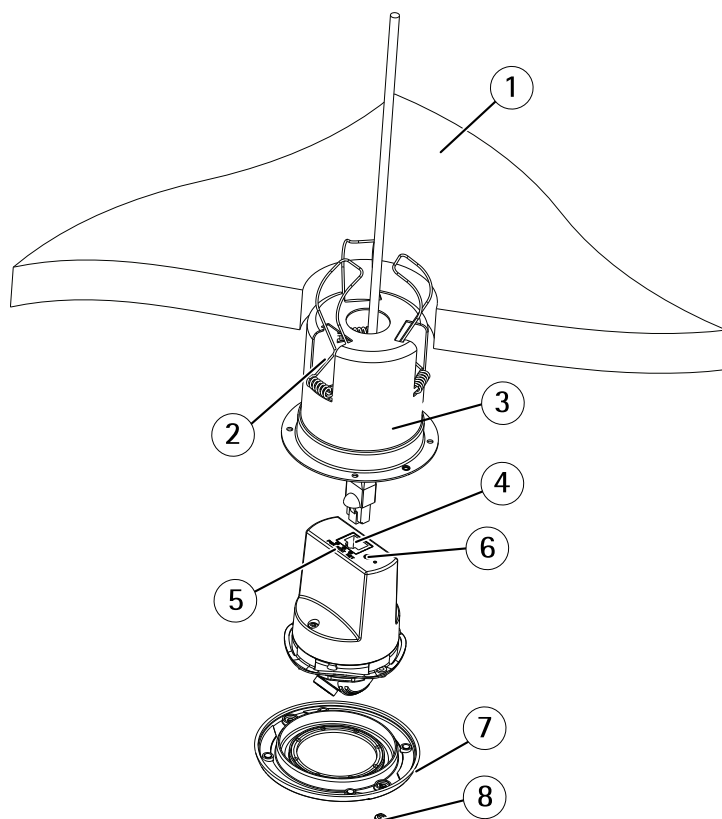
- Caméra réseau AXIS M3014
- Kit de montage
 - 2 vis M3 x 4 mm
 - Anneau de fixation pour faux plafond et bulle transparente en polycarbonate
 - 2 bouchons en plastique fixés à l'anneau de fixation pour faux plafond en plastique
 - Support du module de caméra en métal
 - Une clé Allen (clé hexagonale)
- Documentation imprimée
 - Guide d'installation de la caméra réseau AXIS M3014
 - Document de garantie

Accessoires en option

- Injecteur d'alimentation par Ethernet (1 port) comprenant le câble d'alimentation secteur.

Pour plus d'informations sur les accessoires disponibles, consultez le site www.axis.com

Aperçu du matériel



- 1 *Plafond*
- 2 *Ressorts*
- 3 *Support du module de caméra en métal*
- 4 *Connecteur réseau*
- 5 *Voyants DEL*
- 6 *Bouton de commande*
- 7 *Couvercle de dôme magnétique*
- 8 *Bouchons (2x) (peuvent être remplacés par des vis inviolables)*

Voyants

Note

- Le voyant d'état peut clignoter lorsqu'un événement est actif.

- Le voyant d'état peut clignoter pendant l'identification de l'appareil. Rendez-vous dans Setup > System Options > Maintenance (Configuration > Options du système > Maintenance).

Voyant d'état	Indication
Vert	Vert fixe en cas de fonctionnement normal.
Orange	Fixe pendant le démarrage. Clignote lors de la restauration des paramètres.
Rouge	Clignote en rouge en cas d'échec de la mise à niveau du microprogramme.

Voyant DEL réseau	Indication
Vert	Fixe en cas de connexion à un réseau de 100 Mbits/s. Clignote en cas d'activité réseau.
Orange	Fixe en cas de connexion à un réseau de 10 Mbits/s. Clignote en cas d'activité réseau.
Éteint	Pas de connexion réseau.

Voyant d'alimentation	Indication
Vert	Fonctionnement normal.
Orange	Le voyant vert/orange clignote pendant la mise à niveau du microprogramme.

Connecteur réseau

Connecteur Ethernet RJ45 avec l'alimentation par Ethernet (PoE).

AVIS

Les réglementations locales ou les conditions environnementales et électriques dans lesquelles le produit est utilisé peuvent nécessiter l'utilisation d'un câble réseau blindé (STP). Tous les câbles réseau qui sont acheminés à l'extérieur ou dans des environnements électriques exigeants doivent être destinés à leur usage spécifique. Assurez-vous que les périphériques réseau sont installés conformément aux instructions du fabricant. Pour plus d'informations sur les exigences réglementaires, consultez *Electromagnetic Compatibility (EMC) on page 2*.

Bouton de commande

Pour connaître l'emplacement du bouton de commande, consultez *Aperçu du matériel page 20*.

AXIS M3014 Network Camera

Le bouton de commande permet de réaliser les opérations suivantes :

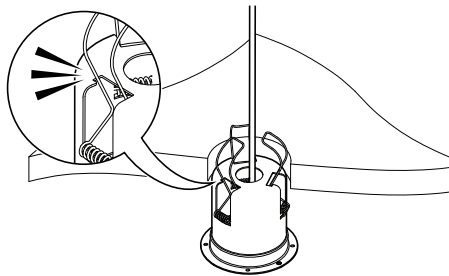
- Réinitialisation du produit aux paramètres d'usine par défaut. Cf. *page 25*.
- Connexion au service du Système d'hébergement vidéo AXIS ou au service AXIS Internet Dynamic DNS. Pour plus d'informations sur ces services, reportez-vous au Manuel de l'utilisateur.

Installation du matériel

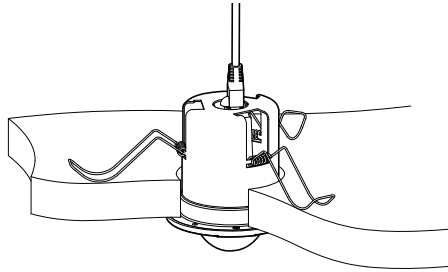
Note

Si le support du module de caméra est monté sur un plafond dur comme du métal ou du bois, il peut être vissé au plafond et les ressorts peuvent être retirés.

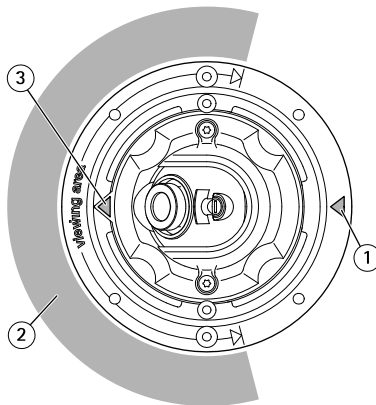
1. Percez un trou (70 à 76 mm, 2,75 à 3 pouces) dans le plafond pour installer le support du module de caméra en métal de la caméra.
2. Retirez la caméra du support du module de caméra en métal.
3. Appuyez délicatement et remettez les trois ressorts du support du module de caméra en métal dans leurs emplacements.
4. Acheminez le câble réseau à travers le plafond et jusqu'au support du module de caméra en métal.
5. Insérez le support du module de caméra en métal via le plafond. Assurez-vous que la zone de visualisation marquée sur le bord du dôme se trouve face à la zone à surveiller.



6. Fixez le support du module de caméra en métal au plafond. Insérez un instrument comme un tournevis dans le support du module de caméra et relâchez les ressorts pour qu'ils se fixent au plafond et maintiennent le dôme en place.



7. Fixez le câble au connecteur réseau de la caméra (alimentation par Ethernet [PoE] classe 1 prise en charge). Si l'alimentation par Ethernet PoE n'est pas prise en charge le commutateur réseau, utilisez l'injecteur de puissance PoE fourni pour raccorder l'alimentation à la caméra réseau AXIS M3014.
8. Vérifiez que les voyants DEL indiquent le bon état de fonctionnement. Pour plus d'informations, cf. *Voyants page 20*.
9. Alignez la flèche de la caméra sur la flèche du support du module de caméra et insérez la caméra dans le support du module de caméra en métal.
10. Tournez la caméra afin que la flèche sur la caméra pointe vers la zone de visualisation marquée sur le bord du support du module de caméra en métal.



- 1 Flèche du support du module de caméra
- 2 Zone de visualisation
- 3 Flèche de caméra

Utilisez le produit

Si vous souhaitez rechercher des produits Axis sur le réseau ou leur affecter des adresses IP sous Windows®, nous recommandons l'utilisation des applications AXIS IP Utility et AXIS Camera Management. Ces deux applications sont gratuites et peuvent être téléchargées depuis www.axis.com/techsup

Le produit peut être utilisé avec la plupart des systèmes d'exploitation et des navigateurs. Nous recommandons les navigateurs suivants :

- Internet Explorer® avec Windows®,
- Safari® avec OS X®
- Chrome™ ou Firefox® avec les autres systèmes d'exploitation.

Pour plus d'informations concernant l'utilisation du produit, consultez le manuel de l'utilisateur disponible sur le site www.axis.com

Réglage de l'objectif

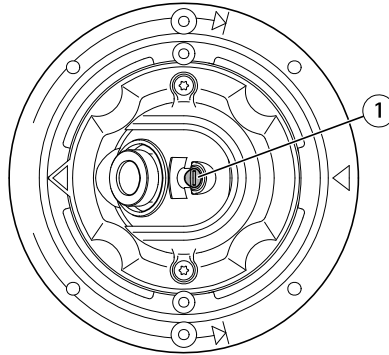
Pour ajuster la position de l'objectif, suivez les étapes suivantes :

1. Ouvrez la page Live View dans votre navigateur Web.
2. Tout en regardant l'image dans la page Live View, déplacez l'objectif pour atteindre la position souhaitée.

Réglage de la mise au point

La mise au point de la caméra réseau AXIS M3014 est réglée en usine de 0,5 m à l'infini. Elle ne nécessite normalement pas de réglage. Pour faire la mise au point sur des objets situés à moins de 0,5 m ou, si pour une quelconque raison, la mise au point est dérégulée, elle peut être ajustée de la façon suivante :

1. Dévissez la vis de verrouillage de l'objectif.
2. Tournez manuellement l'objectif pour ajuster la mise au point jusqu'à ce que l'image sur la page Live View soit satisfaisante.
3. Resserrez doucement la vis de verrouillage de l'objectif.



1 Vis de verrouillage de l'objectif.

Fin de l'installation

- Placez le couvercle de dôme magnétique sur la caméra. Alignez les trous des rivets.
- Les trous des rivets peuvent être couverts avec les caches en plastique fournis.
- Si le dôme doit être sécurisé, utilisez les vis inviolables fournies et vissez le dôme.

L'installation est maintenant terminée.

Réinitialisation aux paramètres d'usine par défaut

Important

La réinitialisation aux paramètres par défaut doit être utilisée avec prudence. Cette opération reconfigure tous les paramètres, y compris l'adresse IP, aux valeurs d'usine par défaut.

Note

Les logiciels d'installation et de gestion sont disponibles sur les pages d'assistance du site www.axis.com/techsup

Pour réinitialiser l'appareil aux paramètres d'usine par défaut :

1. Déconnectez l'alimentation de l'appareil.
2. Maintenez le bouton de commande enfoncé et remettez l'appareil sous tension. Consultez *Aperçu du matériel* page 20.
3. Maintenez le bouton de commande enfoncé pendant 15 à 30 secondes, jusqu'à ce que le voyant d'état passe à l'orange et clignote.
4. Relâchez le bouton de commande. Le processus est terminé lorsque le voyant d'état passe au vert. Les paramètres d'usine par défaut de l'appareil ont été rétablis. En l'absence d'un serveur DHCP sur le réseau, l'adresse IP par défaut est 192 . 168 . 0 . 90.

AXIS M3014 Network Camera

5. Utilisez les outils d'installation et de gestion pour attribuer une adresse IP, configurer le mot de passe et accéder au flux de données vidéo.

Il est également possible de rétablir les paramètres d'usine à partir de l'interface Web. Accédez à **Setup > System Options > Maintenance (Configuration > Options du système > Maintenance)** et cliquez sur **Default (Défaut)**.

Pour obtenir plus de renseignements

Pour la dernière version de ce document, consultez le site www.axis.com

Le Manuel de l'utilisateur est disponible à l'adresse suivante : www.axis.com

Consultez le site www.axis.com/techsup pour vérifier si des mises à jour des logiciels sont disponibles pour votre appareil réseau. Pour connaître la version du micrologiciel actuellement installée, reportez-vous à la page **Setup > About (Configuration > À propos de)**.

Visitez le centre d'apprentissage en ligne Axis sur le site www.axis.com/academy pour en savoir plus sur les formations, les webinaires, les tutoriels et les guides.

Informations sur la garantie

Pour obtenir de plus amples informations sur la garantie du produit AXIS et des renseignements connexes, allez sur le site www.axis.com/warranty/

Sicherheitsinformation

Lesen Sie das Installationshandbuch sorgfältig durch bevor sie das Produkt installieren. Bewahren Sie das Installationshandbuch für zukünftige Zwecke auf.

Gefährdungsstufen

▲GEFAHR

Weist auf eine gefährliche Situation hin, welche , falls nicht verhindert, zu Tod oder schweren Verletzungen führt.

▲WARNUNG

Weist auf eine gefährliche Situation hin, welche, falls nicht verhindert, zu Tod oder schweren Verletzungen führen kann.

▲VORSICHT

Weist auf eine gefährliche Situation hin, welche, falls nicht verhindert, zu geringfügiger oder mäßiger Verletzung führen kann.

HINWEIS

Weist auf eine gefährliche Situation hin, welche, falls nicht verhindert, zu Sachschäden führen kann.

Weitere Nachrichtenstufen

Wichtig

Weist auf wichtige Informationen hin, die den richtigen Betrieb des Produkts gewährleisten.

Beachten

Weist auf nützliche Informationen hin, die die optimale Verwendung des Produkts unterstützen.

Sicherheitsanweisungen

HINWEIS

- Die Anwendung des Axis Produkts muss unter Beachtung der örtlich geltenden rechtlichen Bestimmungen erfolgen.
- Bei der Anwendung von Axis Produkten im Außenbereich oder ähnlichen Umgebungen, müssen diese in zugelassenen Außengehäusen installiert werden.
- Lagern Sie das Axis Produkt in einer trockenen und belüfteten Umgebung.
- Achten Sie darauf, dass das Axis Produkt weder Stößen noch starkem Druck ausgesetzt ist.
- Installieren Sie das Produkt nicht an instabilen Halterungen, Oberflächen oder Wänden.
- Verwenden Sie bei der Installation des Axis Produkts ausschließlich passende Werkzeuge. Ein zu großer Kraftaufwand mit elektrischen Werkzeugen kann das Produkt beschädigen.
- Verwenden Sie keine chemischen, ätzenden oder aerosolhaltigen Reinigungsmittel.
- Verwenden Sie zum Reinigen ein sauberes, mit destilliertem Wasser angefeuchtetes Tuch.
- Verwenden Sie nur Zubehör, das den technischen Daten des Produkts entspricht. Dieses ist von Axis oder Drittanbietern erhältlich.
- Verwenden Sie ausschließlich Ersatzteile die von Axis bereitgestellt oder empfohlen werden.
- Versuchen Sie nicht, das Produkt selbstständig zu reparieren. Wenden Sie sich bezüglich Reparatur und Wartung an den Axis Support oder Ihren Axis Händler.

Transport

HINWEIS

- Bei Bedarf transportieren Sie das Axis Produkt in der Originalverpackung oder einer entsprechenden Verpackung, so dass Schäden vermieden werden.

Kuppelabdeckung

HINWEIS

- Achten Sie darauf die Kuppelabdeckung weder zu zerkratzen, zu beschädigen oder darauf Fingerabdrücke zu hinterlassen, da dies die Bildqualität beeinträchtigen kann. Falls möglich entfernen Sie die Schutzfolie erst nachdem die Installation abgeschlossen ist.
- Säubern Sie niemals eine Kuppelabdeckung, wenn diese sauber erscheint, und polieren Sie keinesfalls die Oberfläche. Zu häufiges Säubern kann die Oberfläche beschädigen.
- Für die normale Reinigung der Kuppelabdeckung werden eine nicht-scheuernde, lösungsmittelfreie neutrale Seife oder ein entsprechendes Reinigungsmittel mit destilliertem Wasser und ein sauberer, weicher Lappen empfohlen. Spülen Sie die Kuppelabdeckung gründlich mit lauwarmem destilliertem Wasser ab. Trocknen Sie die Kuppelabdeckung mit einem weichen, sauberen Lappen, um Wasserflecken zu vermeiden.

- Verwenden Sie niemals aggressive Reinigungsmittel, Benzin, Benzol oder Aceton usw. Reinigen Sie die Kuppelabdeckung nicht bei direkter Sonneneinstrahlung oder höheren Temperaturen.

Installationsanleitung

In dieser Anleitung wird die Installation der AXIS M3014-Netzwerk-Kamera in Ihrem Netzwerk beschrieben. Weitere Informationen zur Nutzung dieses Produkts finden Sie im Benutzerhandbuch unter www.axis.com.

Installationsschritte

1. Stellen Sie sicher, dass Packungsinhalte, Werkzeuge und andere für die Installation notwendige Materialien in Ordnung sind. Siehe *Seite 31*.
2. Machen Sie sich mit der Hardware-Übersicht vertraut. Siehe *Seite 32*.
3. Installieren Sie die Hardware. Siehe *Seite 34*.
4. Greifen Sie auf das Produkt zu. Siehe *Seite 36*.

Lieferumfang

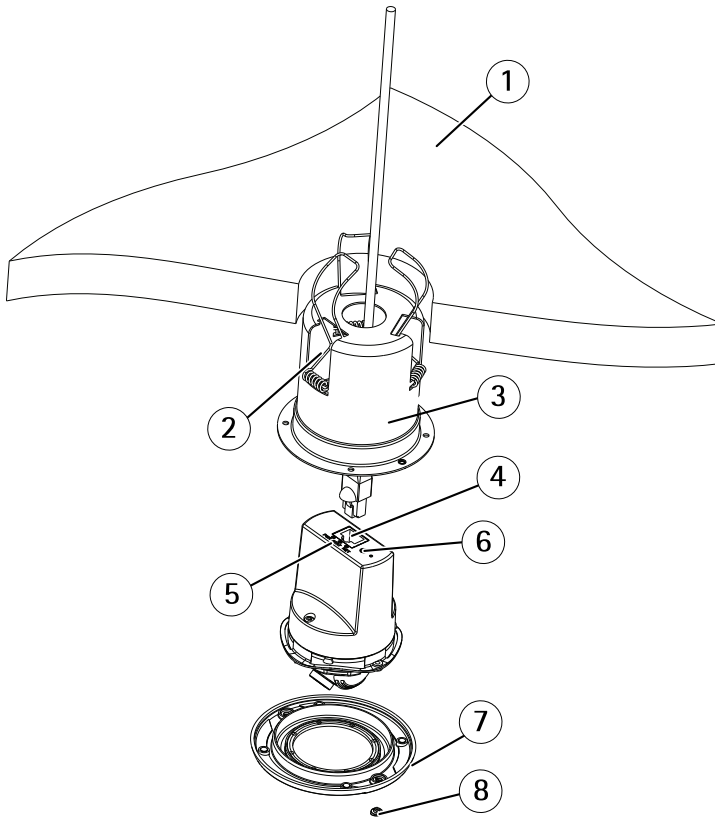
- AXIS M3014-Netzwerk-Kamera
- Montageset
 - 2 Schrauben M3 x 4 mm
 - Montagering aus Kunststoff für abgehängte Decken und transparente Abdeckung aus Polycarbonat
 - 2 Abdeckungen aus Kunststoff, befestigt am Montagering aus Kunststoff für abgehängte Decken
 - Kameramodulhalterung aus Metall
 - 1 Inbusschlüssel (Innensechskant)
- Gedruckte Dokumente
 - Installationsanleitung für die AXIS M3014-Netzwerk-Kamera
 - Gewährleistungserklärung

Optionales Zubehör

- Power over Ethernet-Midspan (1 Port) mit Netzkabel.

Unter www.axis.com finden Sie Informationen über verfügbares Zubehör.

Übersicht über die Hardware



- 1 *Decke*
- 2 *Federn*
- 3 *Kameramodulhalterung aus Metall*
- 4 *Netzwerkanschluss*
- 5 *LED-Anzeigen*
- 6 *Steuertaste*
- 7 *Magnetische Kuppelabdeckung*
- 8 *Abdeckungen (2x) (können durch manipulationssichere Schrauben ersetzt werden)*

LEDs

Beachten

- Die Status-LED kann so eingestellt werden, dass sie blinkt, wenn ein Ereignis aktiv ist.
- Die Status-LED kann so eingestellt werden, dass sie blinkt, wenn die Einheit erkannt wird. Rufen Sie **Setup > System Options > Maintenance (Setup > Systemoptionen > Wartung)** auf.

Status-LED	Bedeutung
Grün	Leuchtet bei Normalbetrieb grün.
Gelb	Leuchtet beim Start. Blinkt beim Wiederherstellen der Einstellungen.
Rot	Blinkt rot bei einem Fehler während der Firmware-Aktualisierung.

Netzwerk-LED	Bedeutung
Grün	Leuchtet bei Verbindung mit einem 100 MBit/s-Netzwerk. Blinkt bei Netzwerkaktivität.
Gelb	Leuchtet bei Verbindung mit einem 10 MBit/s-Netzwerk. Blinkt bei Netzwerkaktivität.
Leuchtet nicht	Keine Netzwerkverbindung vorhanden.

Netz-LED	Bedeutung
Grün	Normaler Betrieb.
Gelb	Blinkt grün/gelb bei der Firmware-Aktualisierung.

Netzwerkanschluss

RJ45-Ethernetanschluss mit Power over Ethernet (PoE).

HINWEIS

Aufgrund örtlicher Vorschriften oder der Umgebungsbedingungen und elektrischen Bedingungen, unter denen das Produkt verwendet wird, kann ein abgeschirmtes Netzkabel (STP) empfehlenswert oder notwendig sein. Alle Netzkabel des Produkts, die im Außenbereich oder in anspruchsvollen elektrischen Umgebungen verlegt werden, müssen hierfür ausgelegt sein. Stellen Sie sicher, dass die Netzwerkgeräte gemäß den Anweisungen des Herstellers installiert wurden. Informationen zu gesetzlichen Bestimmungen finden Sie unter *Electromagnetic Compatibility (EMC) on page 2*.

Steuertaste

Die Steuertaste befindet sich an folgender Stelle: *Übersicht über die Hardware auf Seite 32.*

Die Steuertaste hat folgende Funktionen:

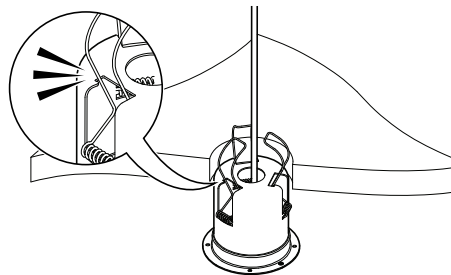
- Zurücksetzen des Produkts auf die Werkseinstellungen. Siehe *Seite 37.*
- Verbinden mit einem AXIS Video Hosting System-Service oder einem AXIS Internet Dynamic DNS-Service. Weitere Informationen zu diesen Diensten finden Sie in der Bedienungsanleitung.

Installieren der Hardware

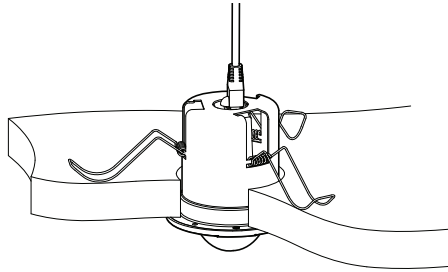
Beachten

Bei Montage der Kameramodulhalterung in hartem Deckenmaterial wie Metall oder Holz können die Kameramodulhalterung an die Decke geschraubt und die Federn entfernt werden.

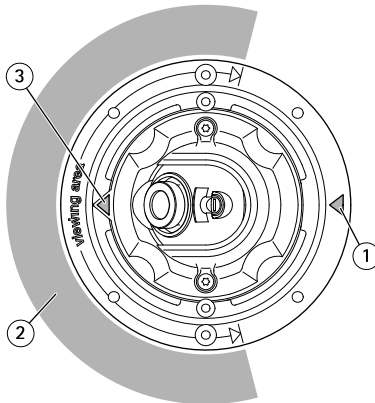
1. Bohren Sie ein Loch (70 bis 76 mm), um die Kameramodulhalterung einzupassen.
2. Entfernen Sie die Kamera von der Rückseite der Kameramodulhalterung.
3. Drücken Sie vorsichtig und positionieren Sie die drei Federn der Kameramodulhalterung wieder in ihren Aussparungen.
4. Ziehen Sie das Netzkabel durch die Decke und durch die Kameramodulhalterung.
5. Führen Sie die Kameramodulhalterung in die Decke ein. Stellen Sie sicher, dass der auf dem Rand des Zylinders markierte Sichtbereich in Richtung des zu überwachenden Bereichs ausgerichtet ist.



6. Befestigen Sie die Kameramodulhalterung in der Decke. Führen Sie ein Werkzeug, z. B. einen Schraubendreher, in die Kameramodulhalterung und lösen Sie die Federn, sodass diese sich in der Decke verhaken und den Zylinder in der Decke halten.



7. Schließen Sie das Kabel am Netzwerkanschluss (unterstützt PoE, Klasse 1) der Kamera an. Wenn der Netzwerkschwitch PoE nicht unterstützt, versorgen Sie die AXIS M3014-Netzwerk-Kamera über den mitgelieferten PoE-Midspan/Power-Injektor mit Strom.
8. Überprüfen Sie, ob die LEDs die Betriebszustände korrekt anzeigen. Ausführliche Informationen finden Sie unter *LEDs auf Seite 33*.
9. Richten Sie den Pfeil an der Kamera mit dem Pfeil an der Kameramodulhalterung aus und bringen Sie die Kamera an der Kameramodulhalterung an.
10. Drehen Sie den Pfeil an der Kamera in den auf dem Rand der Kameramodulhalterung markierten Sichtbereich.



- 1 Pfeil der Kameramodulhalterung
- 2 Sichtbereich
- 3 Pfeil der Kamera

Zugriff auf das Produkt

Für die Suche nach Axis Produkten im Netzwerk und zur Zuweisung einer IP-Adresse unter Windows® werden AXIS IP Utility und AXIS Camera Management empfohlen. Beide Anwendungen sind kostenlos und können von unserer Website unter www.axis.com/techsup heruntergeladen werden.

Das Produkt ist mit den meisten Betriebssystemen und Browsern kompatibel. Empfohlen werden folgende Browser:

- Internet Explorer® unter Windows®
- Safari® unter OS X®
- Chrome™ oder Firefox® unter anderen Betriebssystemen

Weitere Informationen zur Nutzung dieses Produkts finden Sie im Benutzerhandbuch unter www.axis.com.

Anpassen des Objektivs

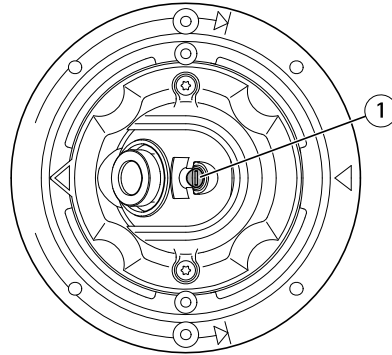
Passen Sie das Objektiv mit diesen Schritten an:

1. Öffnen Sie die Live View-Seite des Produkts im Browser.
2. Bewegen Sie das Objektiv in die gewünschte Position und überprüfen Sie das Bild auf der Live View-Seite.

Anpassen des Fokus

Der Fokus der AXIS M3014-Netzwerk-Kamera wird werksseitig auf 0,5 m bis unendlich eingestellt. Diese Einstellung muss in der Regel nicht geändert werden. Wenn Objekte in einer Entfernung von unter 0,5 m fokussiert werden müssen oder das Objektiv aus anderen Gründen neu eingestellt werden muss, befolgen Sie diese Schritte:

1. Lösen Sie die Feststellschraube des Objektivs.
2. Stellen Sie den Fokus durch manuelles Drehen des Objektivs ein, bis das Bild auf der Live View-Seite zufriedenstellend ist.
3. Ziehen Sie die Feststellschraube des Objektivs vorsichtig wieder an.



1 Feststellschraube des Objektivs

Abschluss der Installation

- Bringen Sie die magnetische Kuppelabdeckung über der Kamera an. Bringen Sie die Nietlöcher zur Deckung.
- Die Nietlöcher können mit den mitgelieferten Abdeckungen aus Kunststoff abgedeckt werden.
- Wenn die Kuppel gesichert werden muss, befestigen Sie die Kuppel mit den im Lieferumfang enthaltenen manipulationssicheren Schrauben.

Die Installation ist damit abgeschlossen.

Zurücksetzen auf Werkseinstellungen

Wichtig

Das Zurücksetzen auf die Werkseinstellungen sollte mit Vorsicht verwendet werden. Beim Zurücksetzen auf die Werkseinstellungen werden alle Einstellungen einschließlich der IP-Adresse auf die Werkseinstellungen zurückgesetzt.

Beachten

Die Software-Tools für Installation und Verwaltung sind über die Supportseiten unter www.axis.com/techsup verfügbar.

So wird das Produkt auf die werksseitigen Standardeinstellungen zurückgesetzt:

1. Trennen Sie das Produkt von der Stromversorgung.
2. Halten Sie die Steuertaste gedrückt und stecken Sie den Netzstecker wieder ein. Siehe *Übersicht über die Hardware auf Seite 32*.
3. Halten Sie die Steuertaste etwa 15 bis 30 Sekunden gedrückt, bis die LED-Statusanzeige gelb blinkt.

4. Lassen Sie die Steuertaste los. Der Vorgang ist abgeschlossen, wenn die LED-Statusanzeige grün leuchtet. Das Produkt wurde auf die Werkseinstellungen zurückgesetzt. Wenn kein DHCP-Server im Netzwerk verfügbar ist, lautet die Standard-IP-Adresse 192.168.0.90.
5. Verwenden Sie die Software-Tools für Installation und Verwaltung, um eine IP-Adresse zuzuweisen, ein Kennwort einzurichten und auf den Videostream zuzugreifen.

Die Parameter können auch über die Weboberfläche auf die Werkseinstellungen zurückgesetzt werden. Rufen Sie **Setup > System Options > Maintenance (Setup > Systemoptionen > Wartung)** auf und klicken Sie auf **Default (Standard)**.

Weitere Informationen

Unter www.axis.com finden Sie die neueste Version dieses Dokuments.

Das Benutzerhandbuch steht unter www.axis.com zur Verfügung.

Unter www.axis.com/techsup finden Sie Firmware-Aktualisierungen für Ihre Netzwerkprodukte. Um die aktuell installierte Firmware-Version zu sehen, gehen Sie auf **Setup > About (Setup > Über)**.

Besuchen Sie das Axis-Schulungszentrum www.axis.com/academy für anregende Schulungen, Webinare, Lernprogramme und Anleitungen.

Gewährleistungsinformationen

Informationen zur Gewährleistung der Axis Produkte und andere, hierzu relevante Informationen, finden Sie unter www.axis.com/warranty/

Informazioni di sicurezza

Leggere con attenzione questa guida all'installazione prima di installare il dispositivo. Conservare questo documento per usi futuri.

Livelli di pericolo

▲PERICOLO

Indica una situazione pericolosa che, se non evitata, provoca morte o lesioni gravi.

▲AVVERTENZA

Indica una situazione pericolosa che, se non evitata, può provocare la morte o lesioni gravi.

▲ATTENZIONE

Indica una situazione pericolosa che, se non evitata, può provocare lesioni medie o minori.

AWISO

Indica una situazione che, se non evitata, può danneggiare la proprietà.

Altri livelli di messaggio

Importante

Indica informazioni importanti, essenziali per il corretto funzionamento del dispositivo.

Nota

Indica informazioni utili che aiutano a ottenere il massimo dal dispositivo.

Informazioni di sicurezza

AWISO

- Il dispositivo Axis deve essere utilizzato in conformità alle leggi e alle disposizioni locali.
- Per utilizzare il dispositivo Axis in ambienti esterni, o in ambienti simili, deve essere installato in una custodia per esterni approvata.
- Conservare il dispositivo Axis in un ambiente asciutto e ventilato.
- Evitare di esporre il dispositivo Axis a urti o pressioni eccessive.
- Non installare il dispositivo su supporti, superfici o pareti instabili.
- Utilizzare solo strumenti applicabili quando si installa il dispositivo Axis. Se si utilizza una forza eccessiva con strumenti non adatti è possibile causare danni al dispositivo.
- Non utilizzare sostanze chimiche, agenti caustici o detergenti spray.
- Utilizzare un panno pulito inumidito in acqua pura per la pulizia.
- Utilizzare solo accessori compatibili con le specifiche tecniche del dispositivo. Questi possono essere forniti da Axis o da terze parti.
- Utilizzare solo parti di ricambio fornite o consigliate da Axis.
- Non tentare di riparare il dispositivo da soli. Contattare l'assistenza o il rivenditore Axis per questioni relative alla manutenzione.

Trasporto

AWISO

- Durante il trasporto del dispositivo Axis, utilizzare l'imballaggio originale o equivalente per evitare danni al dispositivo.

Custodia protettiva

AWISO

- Fare attenzione a non graffiare, danneggiare o lasciare impronte sulla cupola, perché potrebbe diminuire la qualità dell'immagine. Se possibile, tenere la protezione in plastica sulla cupola fino a quando l'installazione non sarà completata.
- Non pulire la cupola se è già pulita e non lucidare la superficie. Una pulizia eccessiva potrebbe danneggiare la superficie.
- Per la pulizia generale della cupola, si consiglia di utilizzare un sapone neutro o detergente non abrasivo con acqua pura e un panno morbido e pulito. Sciacquare bene con acqua pura tiepida. Asciugare con un panno morbido e pulito per evitare macchie d'acqua.
- Non usare mai detergenti aggressivi, benzina, benzene o acetone ecc ed evitare di pulire il coperchio della cupola alla luce diretta del sole o a temperature elevate.

Guida all'installazione

La presente Guida all'installazione fornisce le istruzioni necessarie per installare la telecamera di AXIS M3014 nella rete in uso. Per ulteriori informazioni sull'utilizzo del prodotto, consultare la Guida per l'utente disponibile all'indirizzo www.axis.com.

Procedura di installazione

1. Assicurarsi che il contenuto della confezione, gli strumenti e altri materiali necessari per l'installazione siano in ordine. Consultare *pagina 41*.
2. Studiare la descrizione dell'hardware. Consultare *pagina 42*.
3. Installare l'hardware. Consultare *pagina 44*.
4. Accedere al dispositivo. Consultare *pagina 46*.

Contenuto della confezione

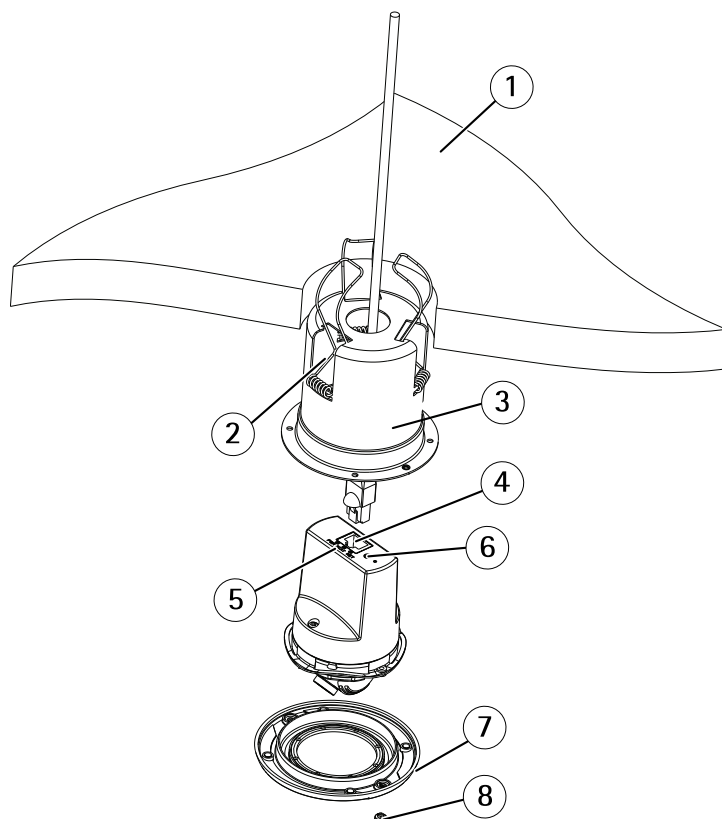
- Telecamera di rete AXIS M3014
- Kit di montaggio
 - 2 viti M3 x 4 mm
 - Anello in plastica per il montaggio a controsoffitto e custodia trasparente in policarbonato
 - 2 prese in plastica collegate all'anello in plastica per il montaggio a controsoffitto
 - Contenitore in metallo per modulo telecamera
 - 1 chiave allen (codice esadecimale)
- Documentazione cartacea
 - Guida all'installazione della telecamera di rete AXIS M3014
 - Garanzia

Accessori opzionali

- Midspan Power over Ethernet (a 1 porta) con cavo di alimentazione.

Per informazioni sugli accessori disponibili, visitare il sito Web www.axis.com

Panoramica dell'hardware



- 1 Soffitto
- 2 Molle
- 3 Contenitore in metallo per modulo telecamera
- 4 Connettore di rete
- 5 Indicatori LED
- 6 Pulsante di comando
- 7 Copertura a cupola magnetica
- 8 Tasselli (2x) (possono essere sostituiti da viti anti-manomissione)

Indicatori LED

Nota

- Il LED di stato può essere configurato per lampeggiare quando un evento è attivo.

- Il LED di stato può essere configurato per lampeggiare al fine di identificare l'unità. Andare su **Setup > System Options > Maintenance (Configurazione > Opzioni di sistema > Manutenzione)**.

LED di stato	Indicazione
Verde	Luce verde fissa: condizioni di normale utilizzo.
Giallo	Luce fissa durante l'avvio. Lampeggia durante il ripristino delle impostazioni.
Rosso	Lampeggia in rosso se l'aggiornamento del firmware non è andato a buon fine.

LED di rete	Indicazione
Verde	Luce fissa per connessione di rete a 100 Mbit/s. Luce lampeggiante: attività di rete.
Giallo	Luce fissa per connessione di rete a 10 Mbit/s. Luce lampeggiante: attività di rete.
Spento	Assenza di connessione.

LED di alimentazione	Indicazione
Verde	Normale utilizzo.
Giallo	Luce lampeggiante verde/gialla: aggiornamento firmware.

Connettore di rete

Connettore Ethernet RJ45 con Power over Ethernet (PoE+).

AWISO

A causa di normative locali o condizioni ambientali ed elettriche in cui il dispositivo deve essere utilizzato, può essere opportuno o necessario l'utilizzo di un cavo di rete schermato (STP). Tutti i cavi di rete del dispositivo posizionati all'aperto o in ambienti elettrici in condizioni difficili sono destinati al loro uso specifico. Accertarsi che i dispositivi di rete siano installati secondo le istruzioni del produttore. Per maggiori informazioni sui requisiti normativi, consultare *Electromagnetic Compatibility (EMC) on page 2*.

Pulsante di comando

Per l'ubicazione del pulsante di comando, vedere *Panoramica dell'hardware alla pagina 42*.

Il pulsante di comando viene utilizzato per:

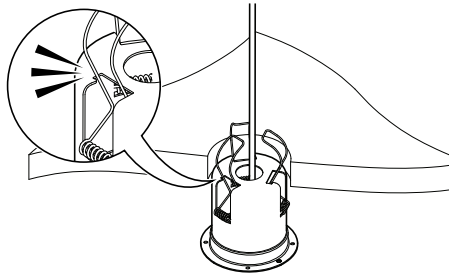
- Ripristino del dispositivo alle impostazioni predefinite di fabbrica. Consultare *pagina 47*.
- Collegamento a un servizio AXIS Video Hosting System o AXIS Internet Dynamic DNS Service. Per ulteriori informazioni su questi servizi, consultare il Manuale Utente.

Installare l'hardware

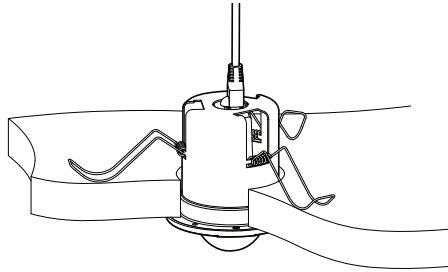
Nota

Se il contenitore per modulo telecamera è montato a soffitto rigido, ad esempio di metallo o legno, può essere avvitato a soffitto e le molle possono essere rimosse.

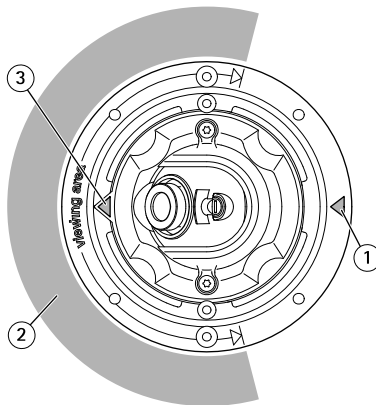
1. Praticare un foro (70–76 mm) nel soffitto per sistemare il contenitore in metallo per alloggiare la telecamera.
2. Rimuovere la telecamera dal contenitore in metallo.
3. Spingere con cautela e impostare le tre molle sul contenitore in metallo nei rispettivi alloggiamenti.
4. Far passare il cavo di rete attraverso il contenitore ed il soffitto.
5. Inserire il contenitore in metallo a soffitto. Assicurarsi che l'area visualizzazione contrassegnata sul bordo della coppa sia rivolta verso l'area che deve essere monitorata.



6. Fissare il contenitore in metallo a soffitto. Inserire uno strumento come un cacciavite nel contenitore in metallo e rilasciare le molle in modo che si fissino al soffitto e tengano la coppa in posizione.



7. Collegare il cavo al connettore di rete (supporta un'alimentazione PoE di classe 1) sulla videocamera. Se PoE non è supportato dallo switch di rete, utilizzare l'iniettore di alimentazione/midspan PoE in dotazione per collegare l'alimentazione alla telecamera di rete AXIS M3014.
8. Verificare che i LED indichino le condizioni di funzionamento corrette. Per ulteriori informazioni, vedere *Indicatori LED alla pagina 42*.
9. Allineare la freccia della telecamera alla freccia del contenitore per modulo telecamera e inserirla nel contenitore in metallo.
10. Ruotare la telecamera in modo che la freccia della telecamera punti all'area visualizzazione contrassegnata sul bordo del contenitore in metallo.



- 1 *Freccia contenitore per modulo telecamera*
- 2 *Area visualizzazione*
- 3 *Freccia della telecamera*

Accedere al dispositivo

AXIS IP Utility e AXIS Camera Management sono i metodi consigliati per trovare i dispositivi Axis in rete e assegnare loro un indirizzo IP in Windows®. Queste applicazioni sono entrambe gratuite e possono essere scaricate da www.axis.com/techsup

Il dispositivo può essere utilizzato con la maggior parte dei sistemi operativi e dei browser. I browser consigliati sono i seguenti:

- Internet Explorer® con Windows®
- Safari® con OS X®
- Chrome™ o Firefox® con altri sistemi operativi.

Per ulteriori informazioni sull'utilizzo del dispositivo, consultare la guida per l'utente disponibile sul sito Web www.axis.com

Regolazione dell'obiettivo

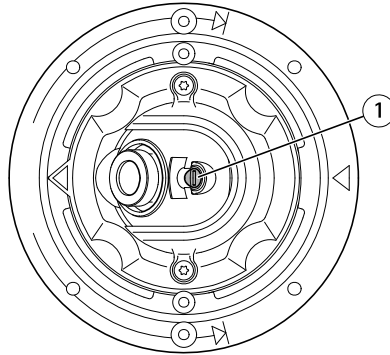
Per regolare la posizione dell'obiettivo, attenersi alla procedura descritta di seguito.

1. Aprire la pagina Live View (Immagini dal vivo) nel web browser.
2. Durante il controllo dell'immagine nella pagina Live View (Immagini dal vivo), spostare l'obiettivo nella posizione desiderata.

Regolazione della messa a fuoco

La messa a fuoco della telecamera AXIS M3014 è preimpostata da 0,5 m a infinito. Normalmente non ha bisogno di regolazione. Per mettere a fuoco oggetti a una distanza inferiore di 0,5 m o se per un qualche motivo l'obiettivo non è più a fuoco, è possibile regolarlo nel modo seguente:

1. Allentare la vite di blocco dell'obiettivo.
2. Ruotare manualmente l'obiettivo per regolare la messa a fuoco fino a quando l'immagine sulla pagina Live View (Immagini dal vivo) è soddisfacente.
3. Riavvitare con delicatezza la vite di blocco dell'obiettivo.



1 Vite di blocco dell'obiettivo

Completamento dell'installazione

- Posizionare la copertura a cupola magnetica sulla telecamera. Allineare i fori per rivetti.
- I fori per rivetti possono essere coperti con i tappi di plastica in dotazione.
- Se la cupola deve essere protetta, utilizzare le viti anti-manomissione fornite in dotazione e avvitare la cupola.

A questo punto l'installazione è completata.

Ripristino dei valori predefiniti di fabbrica

Importante

Il ripristino delle impostazioni di fabbrica deve essere usato con cautela. Un ripristino delle impostazioni di fabbrica consentirà di ripristinare le impostazioni di fabbrica per tutti i parametri, incluso l'indirizzo IP.

Nota

Gli strumenti per l'installazione e la gestione del software sono disponibili nelle pagine dedicate all'assistenza sul sito Web www.axis.com/techsup.

Per ripristinare il dispositivo alle impostazioni predefinite di fabbrica:

1. Scollegare l'alimentazione dal dispositivo.
2. Tenere premuto il pulsante di controllo e ricollegare l'alimentazione. Consultare *Panoramica dell'hardware alla pagina 42*.
3. Tenere premuto il pulsante di controllo per 15-30 secondi fino a quando l'indicatore LED di stato lampeggerà in giallo.
4. Rilasciare il pulsante di comando. Il processo è completo quando il LED di stato diventerà verde. Il dispositivo è stato reimpostato alle impostazioni di fabbrica predefinite. Se nessun server DHCP è disponibile in rete, l'indirizzo IP predefinito è 192.168.0.90.

AXIS M3014 Network Camera

5. Mediante gli strumenti per l'installazione e la gestione del software, assegnare un indirizzo IP, impostare la password e accedere al flusso video.

È anche possibile reimpostare i parametri alle impostazioni predefinite di fabbrica mediante l'interfaccia Web. Andare a **Setup > System Options > Maintenance (Configurazione > Opzioni di sistema > Manutenzione)** e fare clic su **Default (Predefinito)**.

Ulteriori Informazioni

Per la versione più recente di questo documento, visitare il sito all'indirizzo www.axis.com

Il Manuale per l'utente è disponibile all'indirizzo www.axis.com

Visitare il sito all'indirizzo www.axis.com/techsup per verificare se sono stati pubblicati aggiornamenti del firmware per il proprio dispositivo di rete. Per conoscere la versione del firmware installata, andare su **Setup > About (Impostazioni > Informazioni su)**.

Visitare il centro di apprendimento Axis alla pagina www.axis.com/academy per servizi di formazione utili, webinar, tutorial e guide.

Informazioni sulla garanzia

Per informazioni sulla garanzia del dispositivo Axis e informazioni ad esso relative, consultare la pagina www.axis.com/warranty/

Información de seguridad

Lea esta Guía de instalación con atención antes de instalar el producto. Guarde la Guía de instalación para poder consultarla en otro momento.

Niveles de peligro

▲PELIGRO

Indica una situación peligrosa que, si no se evita, provocará lesiones graves o la muerte.

▲ADVERTENCIA

Indica una situación peligrosa que, si no se evita, puede provocar lesiones graves o la muerte.

▲ATENCIÓN

Indica una situación peligrosa que, si no se evita, puede provocar lesiones moderadas o leves.

AVISO

Indica una situación peligrosa que, si no se evita, puede provocar daños materiales.

Otros niveles de mensaje

Importante

Indica información importante que es fundamental para que el producto funcione correctamente.

Nota

Indica información útil que ayuda a aprovechar el producto al máximo.

Instrucciones de seguridad

AVISO

- El producto de Axis debe utilizarse de acuerdo con las leyes y normativas locales.
- Para usar el producto de Axis en exteriores, o en entornos similares, debe instalarse en una carcasa exterior aprobada.
- Almacene el producto de Axis en un entorno seco y ventilado.
- Evite la exposición del producto de Axis a choques o a una fuerte presión.
- No instale el producto en soportes, superficies o paredes inestables.
- Utilice solo las herramientas correspondientes cuando instale el producto de Axis. La aplicación de una fuerza excesiva con herramientas eléctricas puede provocar daños en el producto.
- No utilice limpiadores en aerosol, agentes cáusticos ni productos químicos.
- Limpie con un paño limpio humedecido con agua pura.
- Utilice solo accesorios que cumplan con las especificaciones técnicas del producto. Estos accesorios los puede proporcionar Axis o un tercero.
- Utilice solo piezas de repuesto proporcionadas o recomendadas por Axis.
- No intente reparar el producto usted mismo. Póngase en contacto con el servicio de asistencia técnica de Axis o con su distribuidor de Axis para tratar asuntos de reparación.

Transporte

AVISO

- Cuando transporte el producto de Axis, utilice el embalaje original o un equivalente para evitar daños en el producto.

Cubierta del domo

AVISO

- Preste atención a no arañar, dañar o dejar las huellas en la cubierta del domo, puesto que esto puede provocar una disminución de la calidad de imagen. Si es posible, mantenga el plástico de protección en la cubierta del domo hasta que se complete la instalación.
- No limpie la cubierta del domo si parece a simple vista que está limpia y nunca pule la superficie. Una limpieza excesiva podría dañar la superficie.
- Para realizar un procedimiento de limpieza general de la cubierta del domo se recomienda usar detergente o jabón neutros, sin disolventes y no abrasivos mezclados con agua pura, y un paño suave y limpio. Enjuague bien con agua pura y tibia. Seque con un paño limpio y suave para evitar las manchas de gotas de agua.
- Nunca utilice detergentes abrasivos, gasolina, benceno, acetona, etc. y evite limpiar la cubierta del domo a temperaturas elevadas o en contacto directo con la luz solar.

Guía de instalación

Esta Guía de instalación incluye las instrucciones necesarias para instalar la cámara de red AXIS M3014 en su red. Para conocer otros aspectos de uso del producto, consulte el manual del usuario disponible en www.axis.com

Pasos de la instalación

1. Asegúrese de que dispone del contenido del paquete, las herramientas y los demás materiales necesarios para la instalación. *Vea página 51.*
2. Estudie la información general del hardware. *Vea página 52.*
3. Instalación del hardware. *Vea página 54.*
4. Acceso al producto *Vea página 56.*

Contenido del paquete

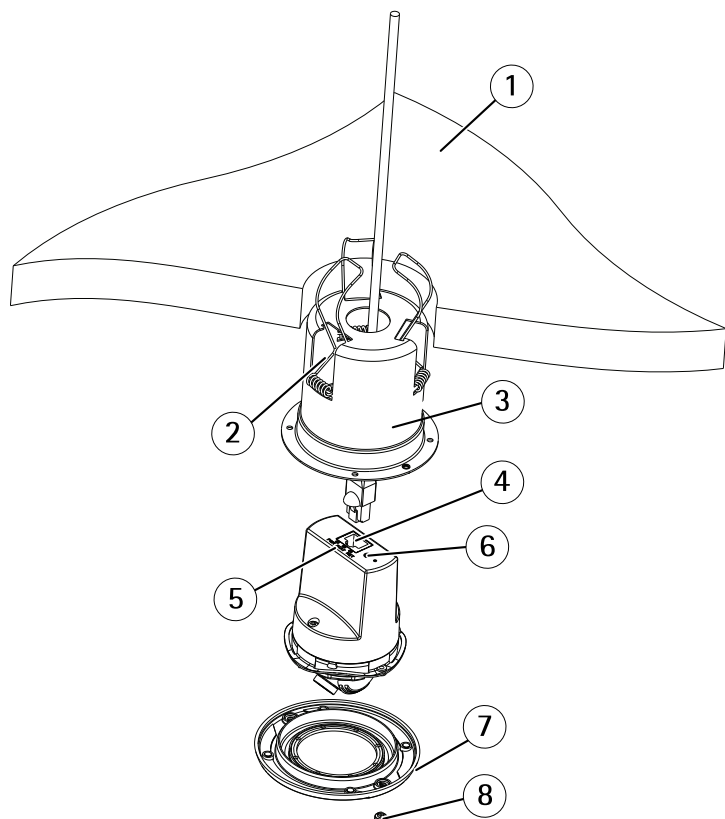
- Cámara de red AXIS M3014
- Kit de montaje
 - 2 tornillos M3 x 4 mm
 - Anillo plástico de montaje en falsos techos y cubierta transparente de policarbonato
 - 2 tapones de plástico para el anillo plástico de montaje en falsos techos
 - Soporte metálico del módulo de la cámara
 - Una llave Allen (llave hexagonal)
- Material impreso
 - Guía de instalación de la cámara de red AXIS M3014
 - Documento de garantía

Accesorios opcionales

- Midspan de alimentación a través de Ethernet (1 puerto) incluido el cable de corriente principal.

Para obtener información sobre los accesorios disponibles, visite www.axis.com.

Información general del hardware



- 1 Techo
- 2 Muelles
- 3 Soporte metálico del módulo de la cámara
- 4 Conector de red
- 5 Indicadores LED
- 6 Botón de control
- 7 Cubierta magnética del domo
- 8 Tapones (2) (pueden sustituirse por tornillos a prueba de manipulaciones)

Indicadores LED

Nota

- Se puede configurar el LED de estado para que parpadee mientras haya un evento activo.

- Se puede configurar el LED de estado para que parpadee e identifique la unidad. Vaya a Setup > System Options > Maintenance (Configuración > Opciones del sistema > Mantenimiento).

LED de estado	Indicación
Verde	Verde fijo para indicar un funcionamiento normal.
Ámbar	Fijo durante el inicio. Parpadea al restaurar valores de configuración.
Rojo	Parpadea en rojo si se produce un error durante la actualización del firmware.

LED de red	Indicación
Verde	Fijo para indicar una conexión a una red de 100 Mbits/s. Parpadea cuando hay actividad de red.
Ámbar	Fijo para indicar una conexión a una red de 10 Mbits/s. Parpadea cuando hay actividad de red.
Apagado	No hay conexión a la red.

LED de alimentación	Indicación
Verde	Funcionamiento normal.
Ámbar	Parpadea en verde/ámbar durante la actualización del firmware.

Conector de red

Conector Ethernet RJ45 con alimentación a través de Ethernet (PoE).

AVISO

Debido a la normativa local o a las condiciones ambientales y eléctricas en las que se vaya a utilizar el producto, puede que sea adecuado u obligatorio el uso de un cable de red blindado (STP). Todos los cables que conectan el producto a la red y que se utilicen en exteriores o en entornos eléctricos exigentes deberán estar blindados y diseñados para su uso específico. Asegúrese de que los dispositivos de red estén instalados de conformidad con las instrucciones del fabricante. Para obtener información sobre los requisitos normativos, vea *Electromagnetic Compatibility (EMC)* on page 2 .

Botón de control

Para conocer la ubicación del botón de control, vea *Información general del hardware* en la página 52.

AXIS M3014 Network Camera

El botón de control se utiliza para lo siguiente:

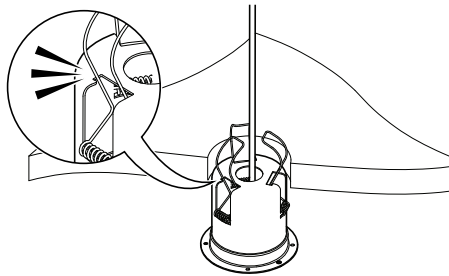
- Restablecer el producto a la configuración predeterminada de fábrica. Consulte *página 57*.
- Conectarse a un servicio AXIS Video Hosting System o al Servicio de DNS dinámico de Internet de AXIS. Para obtener más información sobre estos servicios, consulte el Manual del usuario.

Instalación del hardware

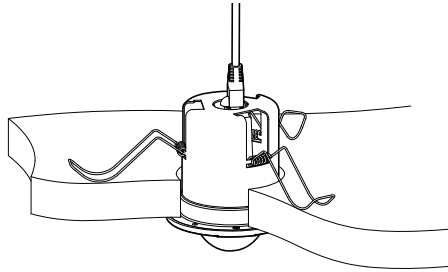
Nota

Si el soporte del módulo de la cámara se monta en un techo duro, como de metal o de madera, el soporte metálico del módulo de la cámara puede atornillarse al techo y pueden quitarse los muelles.

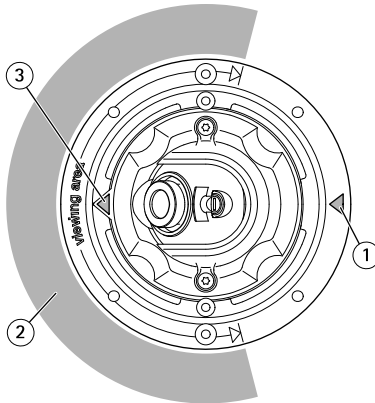
1. Perfore un orificio (70–76 mm, 2,75–3 pulgadas) en el techo para fijar el soporte metálico del módulo de la cámara.
2. Retire la cámara del soporte metálico del módulo de la cámara.
3. Empuje y ajuste con cuidado de nuevo en sus alojamientos los tres muelles del soporte metálico del módulo de la cámara.
4. Tire del cable de red a través del techo y del soporte metálico del módulo de la cámara.
5. Inserte el soporte metálico del módulo de la cámara en el techo. Asegúrese de que el área de visualización marcada en el borde de la carcasa está orientada hacia la zona que va a vigilarse.



6. Fije el soporte metálico del módulo de la cámara en el techo. Inserte un instrumento como un destornillador en el soporte metálico del módulo de la cámara y suelte los muelles para que se agarren al techo y sujeten la carcasa en su sitio.



7. Conecte el cable al conector de red de la cámara (admite PoE clase 1). Si este conmutador de red no admite la alimentación PoE, utilice el inyector de alimentación/midspam PoE proporcionado para conectar la alimentación a la cámara de red AXIS M3014.
8. Compruebe que los indicadores LED indican las condiciones correctas. Vea *Indicadores LED en la página 52*, para conocer más detalles.
9. Alinee la flecha de la cámara con la flecha del soporte del módulo de la cámara y fije la cámara en el soporte metálico del módulo de la cámara.
10. Gire la cámara de manera que la flecha de la cámara apunte al área de visualización marcada en el borde del soporte metálico del módulo de la cámara.



- 1 Flecha del soporte del módulo de la cámara
- 2 Área de visualización
- 3 Flecha de la cámara

Acceso al producto

Se recomiendan AXIS IP Utility y AXIS Camera Management como métodos para buscar los productos de Axis en la red y asignarles direcciones IP en Windows®. Ambas aplicaciones son gratuitas y pueden descargarse de www.axis.com/techsup

El producto se puede utilizar con la mayoría de los sistemas operativos y navegadores. Los navegadores recomendados son:

- Internet Explorer® con Windows®
- Safari® con OS X®
- Chrome™ o Firefox® con otros sistemas operativos.

Para obtener más información sobre el uso del producto, consulte el manual del usuario, disponible en www.axis.com.

Ajuste del objetivo

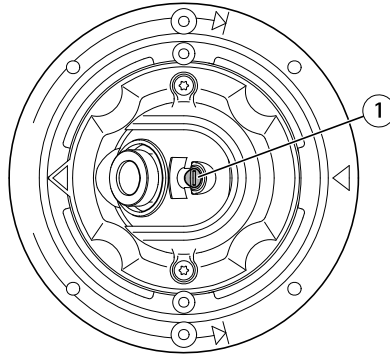
Para ajustar la posición del objetivo, siga estos pasos:

1. Abra la página Vista en directo del navegador.
2. Mientras observa la imagen de la página Vista en directo, mueva el objetivo hasta la posición deseada.

Ajuste del enfoque

El enfoque de la cámara de red AXIS M3014 está ajustado de fábrica desde 0,5 m a infinito. Normalmente, no necesita ajuste. Para enfocar objetos a menos de 0,5 m o si, por alguna razón, el objetivo se ha desenfocado, se puede ajustar del siguiente modo:

1. Afloje el tornillo de bloqueo del objetivo.
2. Gire manualmente el objetivo para ajustar el enfoque hasta que la imagen de la página Vista en directo se vea correctamente.
3. Vuelva a apretar suavemente el tornillo de bloqueo del objetivo.



1 Tornillo de bloqueo del objetivo

Finalización de la instalación

- Coloque la cubierta magnética del domo sobre la cámara. Alinee los orificios de fijación.
- Los orificios de fijación pueden taparse con los tapones de plástico provistos.
- Si es necesario fijar con seguridad el domo, utilice los tornillos a prueba de manipulaciones proporcionados y atornille el domo en su sitio.

La instalación se ha completado.

Restablecimiento a la configuración predeterminada de fábrica

Importante

Hay que tener cuidado al restablecer la configuración predeterminada de fábrica. Todos los valores, incluida la dirección IP, se restablecerán a la configuración predeterminada de fábrica.

Nota

Las herramientas del software de instalación y gestión están disponibles en las páginas de asistencia técnica en www.axis.com/techsup.

Para restablecer el producto a la configuración predeterminada de fábrica:

1. Desconecte la alimentación del producto.
2. Mantenga pulsado el botón de control y vuelva a conectar la alimentación. Vea *Información general del hardware en la página 52*.
3. Mantenga pulsado el botón de control durante 15-30 segundos hasta que el indicador LED de estado parpadee en ámbar.
4. Suelte el botón de control. El proceso finaliza cuando el indicador LED de estado se pone verde. El producto se ha restablecido a la configuración predeterminada de fábrica. Si

AXIS M3014 Network Camera

no hay ningún servidor DHCP disponible en la red, la dirección IP predeterminada es 192.168.0.90.

5. Utilice las herramientas del software de instalación y gestión para asignar una dirección IP, establecer la contraseña y acceder a la transmisión de video.

También es posible restablecer los parámetros a los valores predeterminados de fábrica mediante la interfaz web. Vaya a **Setup > System Options > Maintenance (Configuración > Opciones del sistema > Mantenimiento)** y haga clic en **Default (Predeterminado)**.

Más información

Para consultar la versión más reciente de este documento, vaya a www.axis.com

El Manual de usuario se encuentra disponible en www.axis.com.

Visite www.axis.com/techsup para comprobar si existe un firmware actualizado disponible para su producto de red. Para ver la versión del firmware instalado actualmente, vaya a **Setup > About (Configuración > Acerca de)**.

Visite el centro de aprendizaje de www.axis.com/academy para consultar guías, tutoriales, seminarios web y cursos que pueden resultarle útiles.

Información de garantía

Para obtener más detalles sobre la garantía del producto Axis y la información relacionada con ella, consulte www.axis.com/warranty/

安全情報

本製品を設置する前に、このインストールガイドをよくお読みください。インストールガイドは、後で参照できるように保管しておいてください。

危険レベル

▲危険

回避しない場合、死亡または重傷につながる危険な状態を示します。

▲警告

回避しない場合、死亡または重傷につながるおそれのある危険な状態を示します。

▲注意

回避しない場合、軽傷または中程度の怪我につながるおそれのある危険な状態を示します。

注記

回避しない場合、器物の破損につながるおそれのある状態を示します。

その他のメッセージレベル

重要

製品を正しく機能させるために不可欠な重要情報を示します。

注意

製品を最大限に活用するために役立つ有用な情報を示します。

安全手順

注記

- 本製品は、お使いになる地域の法律や規制に準拠して使用してください。
- 本製品を屋外またはそれに準じる環境で使用する場合は、認定済みの屋外用筐体に収納して設置する必要があります。
- 本製品は乾燥した換気のよい環境に保管してください。
- 本製品に衝撃または強い圧力を加えないでください。
- 本製品を不安定なブラケット、表面、または壁に設置しないでください。
- 本製品を設置するには、適切な工具のみを使用してください。電動工具を使用して過剰な力をかけると、製品が損傷することがあります。
- 化学薬品、腐食剤、噴霧式クリーナーは使用しないでください。
- 清掃には、きれいな水に浸した清潔な布を使用してください。
- 製品の技術仕様に準拠したアクセサリのみを使用してください。これらのアクセサリは、Axisまたはサードパーティから入手できます。
- Axisが提供または推奨する交換部品のみを使用してください。
- 製品を自分で修理しないでください。修理については、Axisサポートまたは販売代理店にお問い合わせください。

輸送

注記

- 本製品を運搬する際は、製品が損傷しないよう、元の梱包か同等の梱包を使用してください。

ドームカバー

注記

- 画質低下の原因となるので、ドームカバーに傷や指紋を付けたり、損傷しないように注意してください。可能であれば、設置が完了するまでドームカバーに保護プラスチックを付けたままにしてください。
- 肉眼で見て汚れがない場合は、ドームカバーを掃除しないでください。また、絶対に表面を磨かないでください。過度な清掃により、表面が破損することがあります。
- ドームカバーの通常のクリーニングには、磨耗防止タイプの無溶媒の中性石鹸またはきれいな水で薄めた洗剤と、柔らかい清潔な布を使用することをお勧めします。洗浄後、きれいなぬるま湯でよくすすいでください。水滴の跡が付かないよう、清潔な柔らかい布で拭いて乾かしてください。

- 強力な洗剤、ガソリン、ベンジン、アセトンなどは絶対に使用しないでください。また直射日光が当たる場所や気温が上昇する場所での、ドームカバーの清掃は避けてください。

インストールガイド

このインストールガイドでは、AXIS M3014ネットワークカメラをお使いのネットワークにインストールする手順について説明します。製品の使用の詳細については、www.axis.comで入手できるユーザーズマニュアルを参照してください

設置手順

1. パッケージの内容、ツールなど、設置に必要な物が揃っていることを確認します。63ページを参照してください。
2. ハードウェアの概要を確認します。64ページを参照してください。
3. ハードウェアを設置します。66ページを参照してください。
4. 製品にアクセスします。68ページを参照してください。

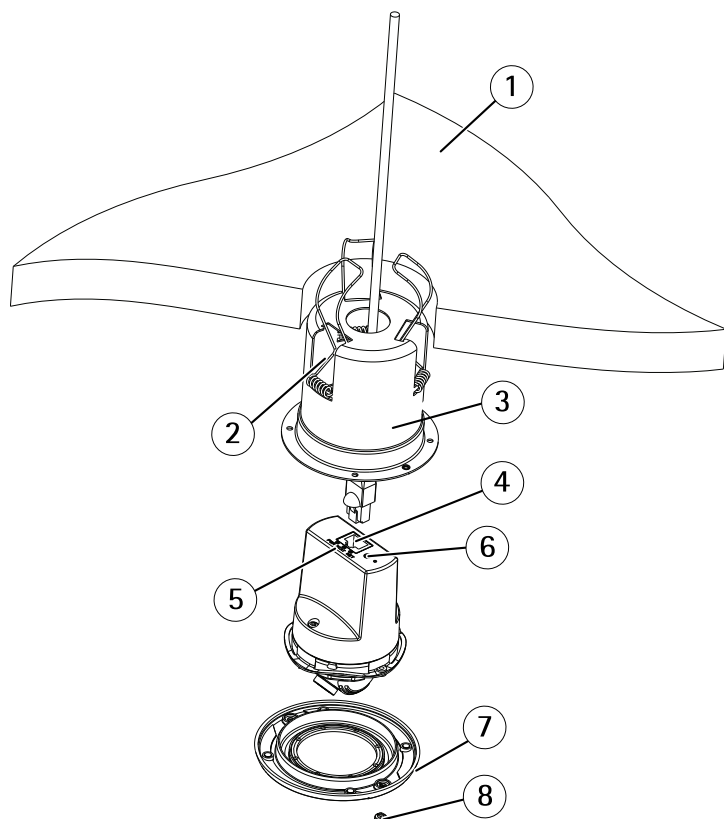
パッケージの内容

- AXIS M3014ネットワークカメラ
- 取り付けキット
 - 2個のM3 x 4mmネジ
 - プラスティック製埋め込み取り付けリングとポリカーボネートクリアカバー
 - プラスティック製埋め込み取り付けリングに取り付けられている2個のプラスチックプラグ
 - 金属製カメラモジュールホルダー
 - 1本の六角レンチ (16進数キー)
- 印刷物
 - AXIS M3014ネットワークカメラのインストールガイド
 - 保証書

オプションアクセサリ

- 電源ケーブルを含むPoE (Power over Ethernet) ミッドスパン (1 port) 利用可能なアクセサリについては、www.axis.comを参照してください

ハードウェアの概要



- 1 天井
- 2 スプリング
- 3 金属製カメラモジュールホルダー
- 4 ネットワークコネクタ
- 5 LEDインジケータ
- 6 コントロールボタン
- 7 マグネティックドームカバー
- 8 プラグ(2x) (いたずら防止ネジに代替可能)

LEDインジケータ

注意

- ステータスLEDは、イベントの発生時に点滅させることができます。

- ステータスLEDを点滅させ、本製品を識別できるように設定することができます。設定は、[Setup - System Options - Maintenance] (設定 - システムオプション - 保守)で行います。

ステータスLED	説明
緑	正常動作であれば緑色に点灯します。
黄	起動時に点灯し、設定の復元時には点滅します。
赤	ファームウェアのアップグレードに失敗すると、赤色で点滅します。

ネットワークLED	説明
緑	100 Mbit/sネットワークに接続している場合、点灯します。ネットワークパケットを送受信した場合、点滅します。
黄	10 Mbit/sネットワークに接続している場合、点灯します。ネットワークパケットを送受信した場合、点滅します。
無点灯	ネットワーク接続なし。

電源LED	説明
緑	正常動作。
黄	ファームウェアアップグレード中は緑と黄の交互点滅。

ネットワークコネクタ

RJ45イーサネットコネクタ、Power over Ethernet (PoE) 対応。

注記

本製品を使用する場所の地域条例、環境、電気的条件下によっては、シールドネットワークケーブル (STP) の使用が推奨または必須になります。本製品をネットワークに接続して屋外または電氣的に厳しい環境に配線する場合は、用途に合ったネットワークケーブルを使用してください。ネットワーク装置がメーカーの指示どおりに設置されていることを確認します。法的要件については、*Electromagnetic Compatibility (EMC) on page 2*を参照してください。

コントロールボタン

コントロールボタンの位置については、64ページの、ハードウェアの概要を参照してください。

コントロールボタンは、以下の用途で使用します。

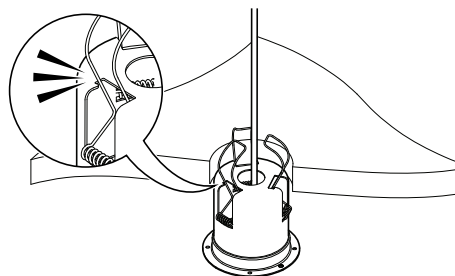
- 製品を工場出荷時の設定にリセットする。69ページを参照してください。
- AXIS Video Hosting SystemサービスまたはAXIS Internet Dynamic DNSサービスに接続する。これらのサービスの詳細については、ユーザーズマニュアルを参照してください。

ハードウェアの設置

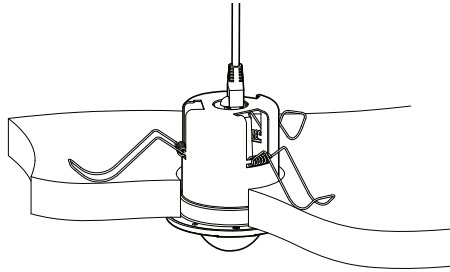
注意

カメラモジュールホルダーが金属や木材などの硬い素材の天井に取り付けられている場合、金属製カメラモジュールホルダーは天井に取り付け、スプリングは取り外すことができます。

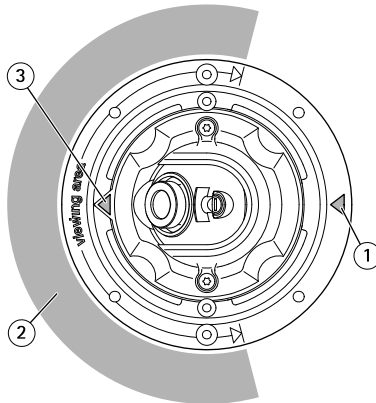
1. 天井に穴 (70~76 mm、2.75~3 インチ) を開け、カメラの金属製カメラモジュールホルダーを取り付けます。
2. カメラを金属製カメラモジュールホルダーから取り外します。
3. 金属製のカメラモジュールホルダー上の3つのスプリングを慎重に押して元のスロットに設置します。
4. ネットワークケーブルを天井とカメラの金属製カメラモジュールホルダーに通します。
5. 金属製カメラモジュールホルダーを天井に挿入します。カップの外側に印がつけられているビューエリアが、監視するエリアに向いていることを確認してください。



6. 金属製カメラモジュールホルダーを天井に固定します。スクリュードライバーなどの器具を金属製カメラモジュールホルダーに挿入しスプリングを離すことで、スプリングを天井に締め付けてカップを適切な位置に固定します。



7. ケーブルをカメラのネットワークコネクタ (PoE class 1に対応) に接続します。ネットワークスイッチがPoEに対応していない場合、付属のPoEミッドスパン/パワーインジェクターを使用して、電源をAXIS M3014ネットワークカメラに接続してください。
8. LEDインジケータが正常な状態を示すことを確認します。詳細については、64ページの、LEDインジケータを参照してください。
9. カメラの矢印をカメラモジュールホルダーの矢印の位置に合わせ、カメラを金属製カメラモジュールホルダーに挿入します。
10. カメラを回し、カメラの矢印を金属製カメラモジュールホルダーの外側に印がつけられているビューエリアに向けてください。



- 1 カメラモジュールホルダーの矢印
- 2 ビューエリア
- 3 カメラの矢印

製品へのアクセス

ネットワーク上でAXIS製品を検索したり、Windows®でそれにIPアドレスを割り当てるには、AXIS IP UtilityまたはAXIS Camera Managementの使用をお勧めします。いずれのアプリケーションも無料で、www.axis.com/techsupからダウンロードできます

本製品は、ほとんどのオペレーティングシステムとブラウザでご利用いただけます。推奨ブラウザは以下のとおりです。

- Internet Explorer® (Windows®の場合)
- Safari® (OS X®の場合)
- Chrome™またはFirefox® (その他のオペレーティングシステムの場合)

製品の使用の詳細については、Axisのホームページ (www.axis.com) でユーザーズマニュアルを参照してください

レンズの調整

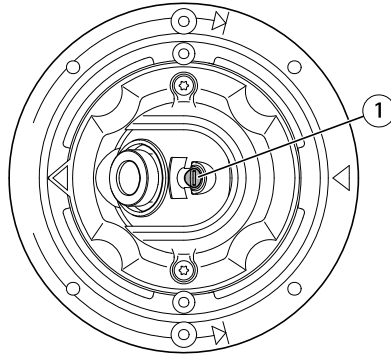
レンズの位置を調整するには、以下の手順にしたがいます：

1. Webブラウザに、[Live View] (ライブビュー) ページを開きます。
2. [Live View] (ライブビュー) ページを確認するときは、レンズを希望する位置まで移動させます。

ピントの調節を行います。

AXIS M3014ネットワークカメラのピントは、出荷時に0.5 m～無限遠に設定されます。通常は調節をする必要はありません。0.5 mよりも近く of 被写体に焦点を合わせる場合や何等かの理由でピントがずれた場合は、次の方法で調整することができます。

1. レンズの固定ネジを緩めます。
2. ピントの調節は、[Live View] (ライブビュー) ページの映像が満足の行くよう表示されるまでレンズを手動で回転します。
3. レンズの固定ネジをゆっくりと締めなおします。



1 レンズの固定ネジ

設置の完了

- カメラ上にマグネティックドームカバーを配置します。リベット穴を整列します。
- リベット穴は、付属のプラスチックプラグで覆います。
- ドームを固定する必要がある場合は、付属のいたずら防止ネジを使用してドームを取り付けます。

これで、カメラの設置は完了です。

工場出荷時の設定にリセットする

重要

工場出荷時の設定へのリセットは慎重に行ってください。工場出荷時の設定へのリセットを行うと、IPアドレスを含むすべての設定が工場出荷時の値にリセットされます。

注意

www.axis.com/techsupのサポートページに、インストール・管理ソフトウェアツールが用意されています。

本製品を工場出荷時の設定にリセットするには、以下の手順を実行します。

1. 本製品の電源を切ります。
2. コントロールボタンを押し続けながら電源を再投入します。「64ページの、ハードウェアの概要」を参照してください。
3. ステータスLEDインジケータが黄色に点滅するまで、コントロールボタンを15～30秒間押し続けます。

AXIS M3014 Network Camera

4. コントロールボタンを離します。プロセスが完了すると、ステータスLEDが緑色に変わります。これで本製品は工場出荷時の設定にリセットされました。ネットワーク上に利用可能なDHCPサーバーがない場合、デフォルトのIPアドレスは192.168.0.90になります。
5. インストール・管理ソフトウェアツールを使用して、IPアドレスの割り当て、パスワードの設定、ビデオストリームへのアクセスを行います。

Webインターフェースを使用して、各種パラメーターを工場出荷時の設定に戻すこともできます。[Setup - System Options - Maintenance] (設定 - システムオプション - 保守) を選択し、[Default] (デフォルト) をクリックします。

関連情報

本書の最新バージョンについては、www.axis.comにアクセスしてください。

ユーザーズマニュアルは、www.axis.comで入手できます。

www.axis.com/techsuplにアクセスして、ご使用のネットワーク製品の新しいファームウェアがリリースされていないかを確認してください。現在インストールされているファームウェアのバージョンを確認するには、[Setup - About] (設定 - バージョン情報) を参照してください。

Axisラーニングセンター (www.axis.com/academy) にアクセスしてください。役に立つトレーニング、ウェブセミナー、チュートリアル、ガイドをご用意しています。

保証情報

Axisの製品保証と関連情報については、www.axis.com/warranty/をご覧ください

安全信息

安装该产品前请仔细阅读该安装指南。请保管好安装指南以供以后查阅。

危险等级

▲危险

表示有危险的情形，如果不能避免，将导致死亡或严重的个人伤害。

▲警告

表示有危险的情形，如果不能避免，将导致死亡或严重的个人伤害。

▲小心

表示有危险的情形，如果不能避免，将导致轻微或中度的个人伤害。

注意

表示一种情形，如果不能避免，将导致对财产的损坏。

其它消息等级

重要

表示对于产品正常运行必不可少的重要信息。

备注

表示有助于充分利用产品的有用信息。

安全说明

注意

- 使用该安讯士产品必须符合当地法律法规要求。
- 如要在室外或相似环境中使用该安讯士产品，必须将其安装在符合标准的室外防护罩中。
- 安讯士产品应存放在干燥通风的环境中。
- 应避免对安讯士产品造成冲撞或重压。
- 不得将本产品安装于不稳固的支架、表面或墙面上。
- 安装安讯士产品时，请使用适用工具。使用电动工具时过度用力可能对产品造成损坏。
- 请勿使用化学制剂、腐蚀性制剂或气雾性清洁剂。
- 使用浸有净水的干净抹布进行清洁。
- 所用附件必须符合该产品的技术规格要求。可由安讯士或第三方供应商提供。
- 必须使用安讯士提供或推荐的零件。
- 请勿试图自己修理该产品。维修事务请联系安讯士支持人员或您的安讯士经销商。

运输

注意

- 安讯士产品运输途中，应使用其原包装或等效包装，以防对产品造成损坏。

球型罩

注意

- 切勿刮伤或损坏球型罩或在球型罩上留下指纹，因为这样会降低图像质量。请尽可能地将防护塑料保留在球型罩上，直至安装完成。
- 不要清洗外表看起来干净的球型罩，不要磨光表面。过度的清洗可能会损坏表面。
- 对球型罩进行一般清洗时，建议使用非磨蚀性且不含溶剂的中性肥皂或与净水混合的洗涤剂以及柔软、干净的抹布。最好使用纯净的温水进行清洗。使用柔软、干净的抹布擦干，防止水斑。
- 切勿使用烈性洗涤剂、汽油、苯或丙酮等，并避免在阳光直射下或高温环境中清洗球型罩。

安装指南

本安装指南提供了在网上安装 AXIS M3014 网络摄像机的说明。有关使用该产品的其他信息，请参见用户手册，网址：www.axis.com

安装步骤

1. 确保安装必需的包装内容、工具和其它材料井然有序。参见 [第73页](#)。
2. 研究硬件概述。参见 [第74页](#)。
3. 安装硬件。参见 [第76页](#)。
4. 访问产品。参见 [第77页](#)。

包装内容

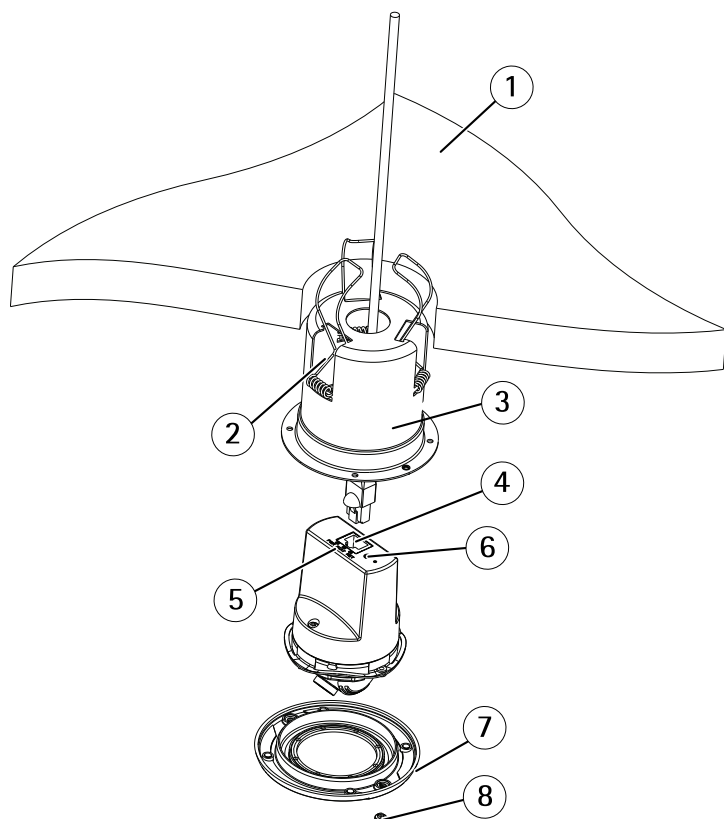
- AXIS M3014 网络摄像机
- 安装套件
 - 2 M3 x 4毫米螺丝
 - 塑料吊顶安装环和聚碳酸酯透明罩
 - 安装至塑料吊顶安装环的 2 个塑料塞
 - 摄像机金属模块托架
 - 一个艾伦扳手（六角扳手）
- 印刷资料
 - AXIS M3014 网络摄像机安装指南
 - 保修单

可选附件

- 以太网供电 PoE 模块（1 个端口），包括电源线缆。

如欲了解有关可用附件的信息，请访问 www.axis.com

硬件概览



- 1 天花板
- 2 弹簧
- 3 摄像机金属模块托架
- 4 网络接口
- 5 LED 指示灯
- 6 控制按钮
- 7 磁性球型罩
- 8 插头 (2 个) (可能使用防篡改螺丝替换)

LED 指示灯

备注

- LED 状态指示灯可被配置为在事件激活状态下闪烁。

- LED 状态指示灯可被配置为识别装置时闪烁。访问 [设置 > 系统选项 > 维护](#)。

LED 状态指示灯	指示
绿色	绿灯常亮表示工作正常。
淡黄色	启动时常亮。恢复设置时闪烁。
红色	固件升级故障时闪红色光。

LED 网络指示灯	指示
绿色	常亮表示连接到 100 Mbit/s 网络。闪烁表示网络活动。
淡黄色	常亮表示连接到 10 Mbit/s 网络。闪烁表示网络活动。
不亮	无网络连接。

LED 电源指示灯	指示
绿色	工作正常。
淡黄色	固件升级过程中呈绿色/淡黄色闪烁。

网络接口

RJ45 以太网接口，支持以太网供电 (PoE)。

注意

根据当地法规或使用产品所在的环境与电力条件，可能需要使用屏蔽网线 (STP)。任何连接产品与网络的线缆以及伸展到户外或苛刻电力环境中的线缆必须使用专用线缆。确保网络设备按照制造商的说明进行安装。有关监管要求的信息，请参见 *Electromagnetic Compatibility (EMC) on page 2*。

控制按钮

有关控制按钮的位置信息，请参见 [硬件概览 在第74页](#)。

控制按钮用于：

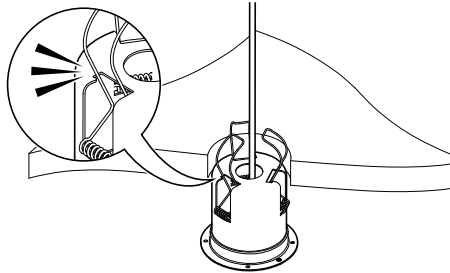
- 将产品重置为出厂默认设置。参见 [第78页](#)。
- 连接至安讯士视频托管系统服务或安讯士互联网动态 DNS 服务。有关这些服务的更多信息，请参见用户手册。

安装硬件

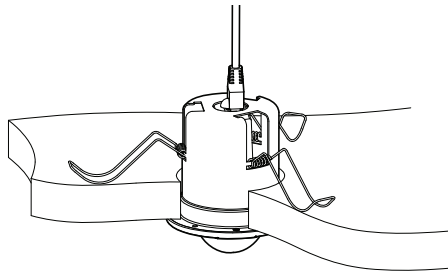
备注

如果摄像机模块托架安装硬天花板（如金属或木制）上，摄像机金属模块托架可旋至天花板上，且弹簧可卸除。

1. 在天花板中钻孔（70–76 毫米，2.75–3 英寸）以装入摄像机金属模块托架。
2. 将摄像机从摄像机金属模块托架中卸下。
3. 小心地将摄像机金属模块托架上的三个弹簧推回至槽中。
4. 将网线穿过天花板和摄像机金属模块托架。
5. 将摄像机金属模块托架插入天花板中。确保杯状物边缘所标记的查看区域面对将要监控的区域。

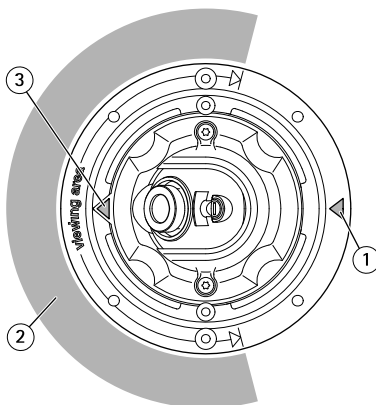


6. 将摄像机金属模块托架固定到天花板中。将工具（如螺丝刀）插入摄像机金属模块托架，释放弹簧，确保它们压紧天花板，将杯状物固定住。



7. 将线缆连接至摄像机的网络接口（支持 PoE 1 类）。如果网络交换机不支持 PoE，使用随附的 PoE 模块/馈电器将电源连接至 AXIS M3014 网络摄像机。
8. 查看 LED 指示灯指示情况是否正确。更多详情请参见 *LED 指示灯* 在第 74 页。
9. 将摄像机箭头与摄像机模块托架箭头对齐，以将摄像机插入摄像机金属模块托架。

10. 旋转摄像机，确保摄像机箭头指向摄像机金属模块托架边缘上标记的查看区域。



- 1 摄像机模块托架箭头
- 2 查看区域
- 3 摄像机箭头

访问产品

AXIS IP Utility 和 AXIS Camera Management 推荐用于查找网络上的安讯士产品，并在 Windows 中为它们分配 IP 地址[®]。两款应用都免费提供，并可在下列网址中下载：www.axis.com/techsup

该产品可配合多数操作系统和浏览器使用。我们推荐使用下列浏览器：

- Internet Explorer[®] (搭配 Windows)[®]
- Safari[®] (搭配 OS X)[®]
- Chrome[™] 或 Firefox[®] (搭配其他操作系统)。

有关使用该产品的更多信息，请参见用户手册，网址：www.axis.com

调整镜头

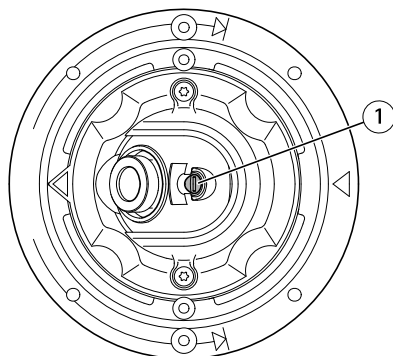
采用下列步骤调整镜头位置：

1. 打开 Web 浏览器中的实时视图页面。
2. 一边查看实时视图页面中的图像，一边将镜头移动至理想位置。

调焦

AXIS M3014 网络摄像机的焦距在出厂时从 0.5 米设置为无限。通常情况下它无需调整。为聚焦近于 0.5 米的物体，或如果镜头因为某原因无法对焦，可通过下列方式调整焦距：

1. 松开镜头锁定螺丝。
2. 手动旋转镜头以调整焦距，直到实时视图页面上的图像令人满意。
3. 轻轻地再次旋紧锁定螺丝。



1 镜头锁定螺丝

完成安装

- 将磁性球型罩置于摄像机之上。调整铆钉孔。
- 铆钉孔可插入随附的塑料塞。
- 如果球型罩需要紧固，使用随附的防篡改螺丝将球型罩旋上。

安装完成。

重置为出厂默认设置

重要

重置为出厂默认设置应慎用。重置为出厂默认设置将把所有设置重置为出厂默认值，包括 IP 地址。

备注

安装和管理软件工具可通过以下网站中的支持页面获取：www.axis.com/techsup

要将产品重置为出厂默认设置，请执行以下操作：

1. 断开产品电源。
2. 按住控制按钮不放，重新连接电源。请参见 [硬件概览](#) 在第74页。
3. 按住控制按钮 15–30 秒的时间，直至 LED 状态指示灯闪烁淡黄色。
4. 松开控制按钮。当 LED 状态指示灯变为绿色时，结束此过程。该产品已重置为出厂时的默认设置。如果网络上没有可用的DHCP服务器，则默认的 IP 地址为 192.168.0.90。
5. 借助安装和管理软件工具，分配 IP 地址，设置密码及访问视频流。

也可通过 Web 界面将参数重置为出厂默认设置。访问 [设置 > 系统选项 > 维护](#)，并点击 **默认**。

更多信息

有关本文档的最新版本，请访问 www.axis.com

如欲查阅用户手册，请访问 www.axis.com

请访问 www.axis.com/techsup，查看是否存在网络产品的可用固件更新。如欲查看当前安装的固件版本，请访问 [设置 > 关于](#)。

访问安讯士学习中心 www.axis.com/academy，获取有用培训、网络研讨会、教程及指南。

保修信息

有关安讯士产品保修的信息及与之相关的信息，请访问 www.axis.com/warranty/

