



AXIS 233D Network Dome Camera

Installation Guide

ENGLISH

FRANCAIS

DEUTSCH

ITALIANO

ESPAÑOL

AXIS 233D Installation Guide

This installation guide provides instructions for installing the AXIS 233D Network Dome Camera on your network. For all other aspects of using the product, please see the User's Manual, available on the CD included in this package, or from www.axis.com/techsup

Installation steps

1. Check the package contents against the list below.
2. Install the hardware. See page 4.
3. Assign an IP address. See page 10.
4. Set the password. See page 13.

Important!
This product must be used in compliance with local laws and regulations.

ENGLISH

1 Package contents

Item	Models/variants/notes
Network dome camera	AXIS 233D
Indoor Power Supply with power cable	Europe UK Australia USA/Japan Korea
Terminal block connectors	3 (8-pin) connector blocks for connecting external devices to the I/O terminal connectors
Mounting kit	Hard Ceiling Mount for Indoor Use Drop Ceiling Mount for Indoor Use
CD	AXIS Network Video Product CD, including product documentation, installation tools and other software
Printed Materials	AXIS 233D Installation Guide (this document) Axis Warranty Document

Before you begin:

If the AXIS 233D is to be mounted in a position where it is difficult to access, it is recommended that you set the IP address and get the camera up and running before completing the hardware installation.

Dimensions

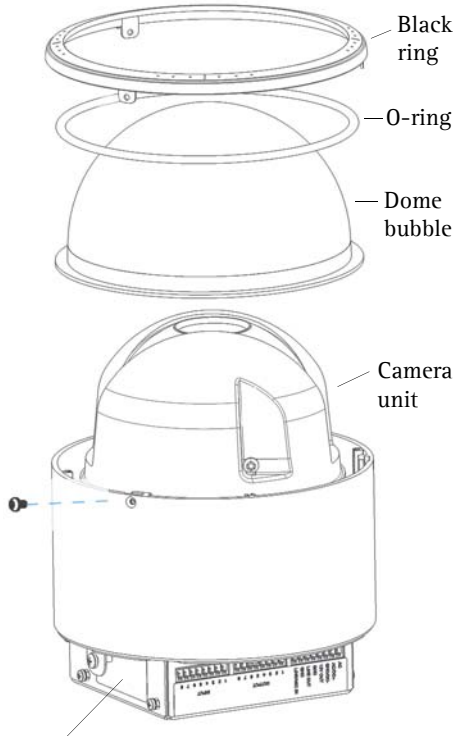
HxWxD = 209x170x170 mm (8.23"x6.69"x6.69")

Weight = 2.5kg (5.5lbs) excluding power supply

2 Install the Hardware

Place dome bubble on camera

1. Place dome bubble on the camera unit.
2. Place O-ring and black ring with coordinates over dome. Turn black ring till it comes into the slots.
3. Different screws are used for fastening the black ring depending on which ceiling mount is being installed:
 - Hard Ceiling Mount:
3 recessed screws
 - Drop Ceiling Mount:
3 M3x10 screws.
4. Tighten screws to hold ring and dome securely, do not tighten screws completely. Follow instructions for your chosen camera mounting.



Note:

Do not use the camera's dome bubble if it is to be installed in a protective housing as the use of two dome bubbles will reduce image quality and cause image blurring.

The camera's serial number (S/N) is on this label. You will need this number to set the camera's IP address.

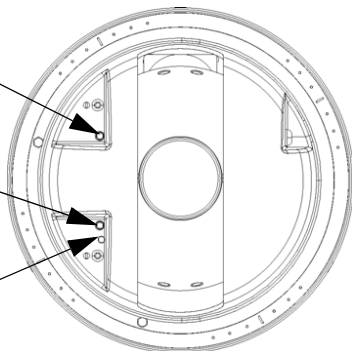
There is an additional label included with this product. Put it in a safe place for future reference.

Top view

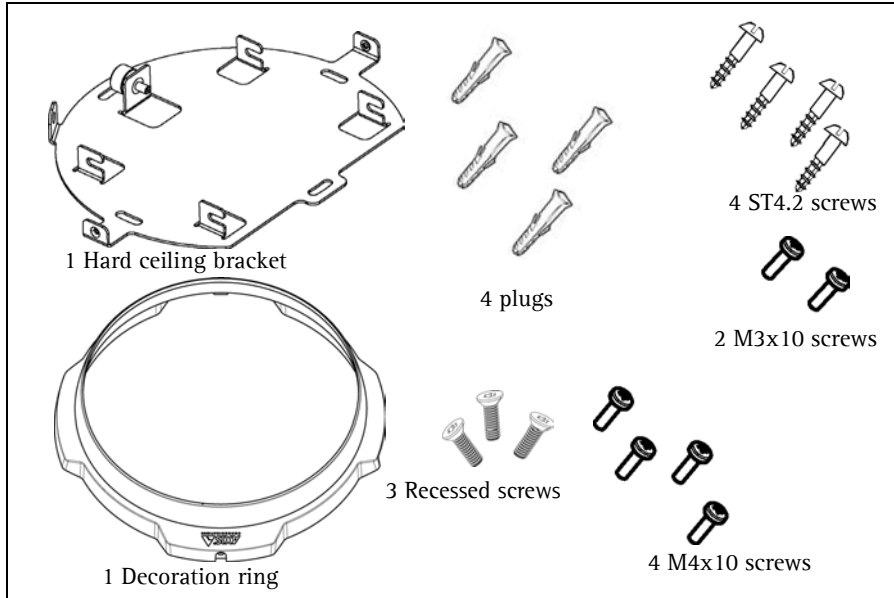
Restart button (red)

Control button (black)

Status LED

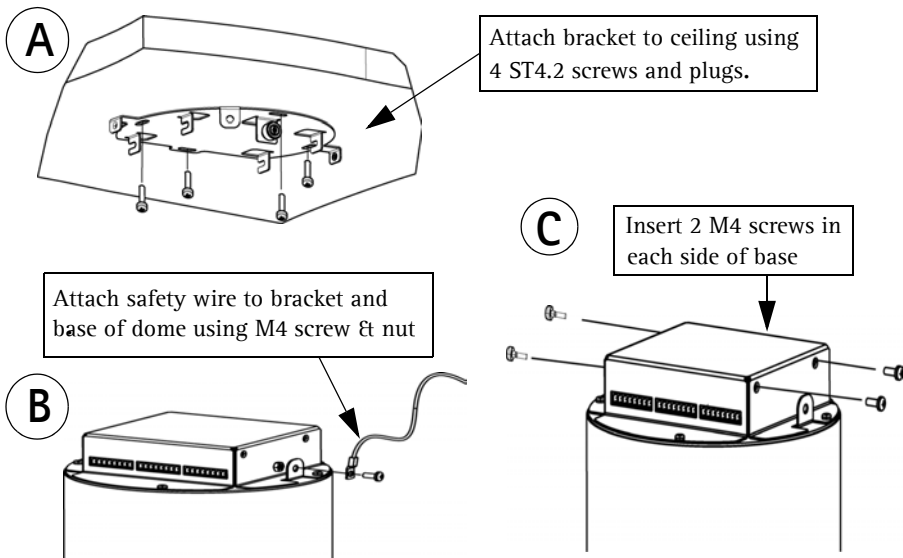


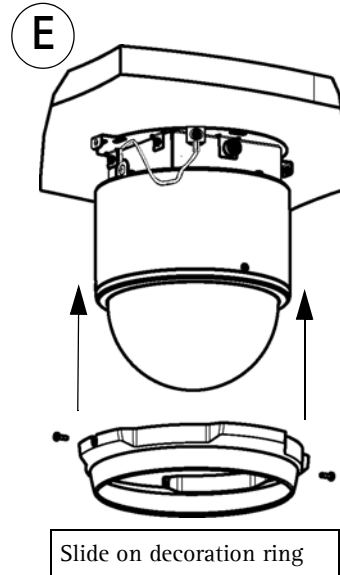
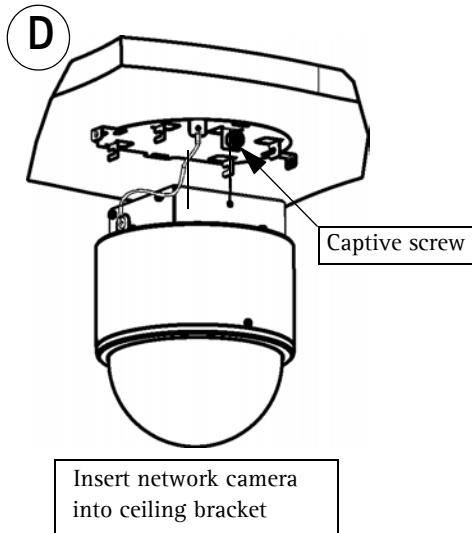
Hard Ceiling Mount - package contents



ENGLISH

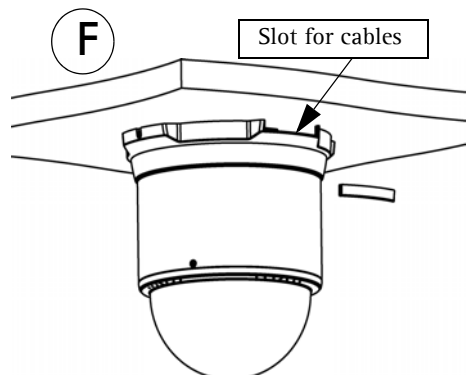
Hard Ceiling Mount



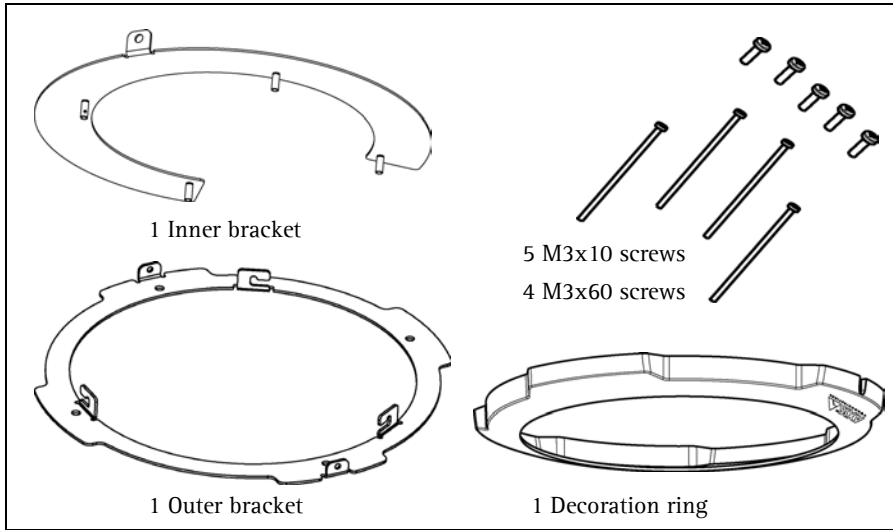


Follow these instructions to mount the dome camera:

1. Secure the bracket to the ceiling with four ST4.2 screws and plugs. (Fig. A)
2. Attach one end of the safety wire to the bracket and the other end to the AXIS 233D using an M4 screw and nut. (Fig. B)
3. Insert four M4 screws (2 screws on each side) partially into the camera base.(Fig. C)
4. Insert the AXIS 233D into the bracket and tighten the captive screw allowing you to free your hands to tighten the four screws in the screw slots (two on each side) on the AXIS 233D.(Fig. D)
5. Connect the network cable.
6. Connect the power cable to the connection block (see *Power connections*, on page 9)
7. Slide the decoration ring on to the AXIS 233D and lock into place by tightening two M3 screws into the bracket. Take care to place the side with the open slot over the connection blocks for cables.(Fig. E)
8. The hardware installation is now complete, proceed to *Assign an IP address*, on page 10 to install the AXIS 233D on your network.



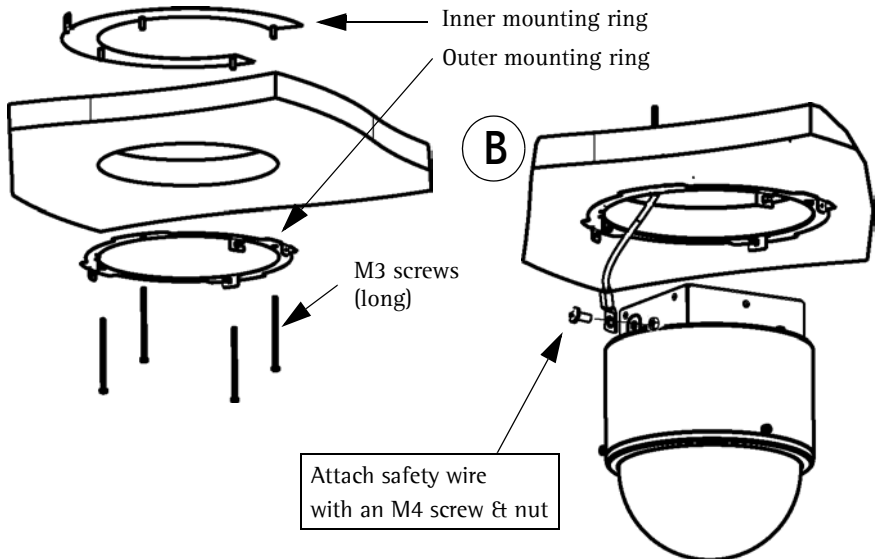
Drop Ceiling Mount - package contents

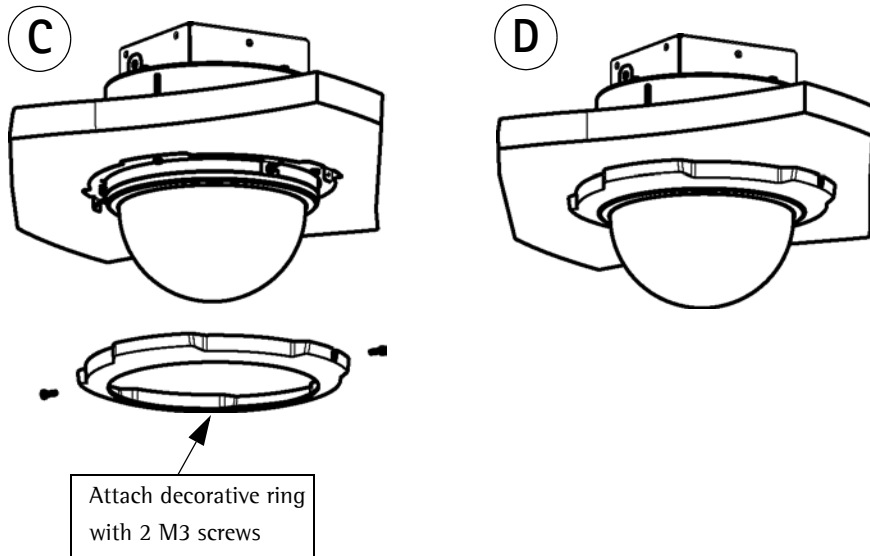


ENGLISH

Drop Ceiling Mount

A Attach ceiling mount brackets with 4 long M3 screws.





Referring to the image for Drop Ceiling Mount, follow these instructions to mount the dome camera:

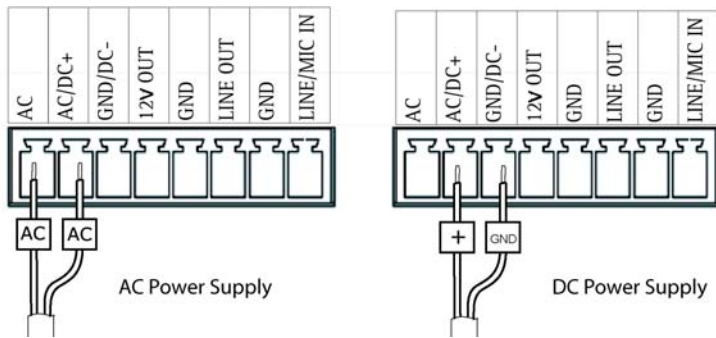
1. Locate the position in the ceiling for a 190mm hole to be cut. A template is included to aid in marking the mounting hole.
2. Cut the hole in the ceiling according to the markings.
3. Insert the inner mounting ring in the ceiling with the screw guides pointing down.(Fig. A)
4. With four long M3 screws, attach inner mounting ring to the outer mounting ring.
5. Attach the safety wire to something structurally strong in the ceiling and to the base of the camera using an M4 screw and nut.(Fig. B)
6. Through the hole in the ceiling connect the Ethernet cable and the power cable to the connection block (see *Power connections*, on page 9).
7. Push the dome body up into the installed bracket taking care to align the screw holes in body (see step 3, on page 4) with the mounting bracket's screw slots. Tighten screws to lock camera into the bracket.
8. Slip the decoration ring over the dome aligning screw holes with screw slots in bracket. Use 2 M3 screws to fasten the decoration ring.(Fig. C)
9. The hardware installation is now complete, proceed to *Assign an IP address*, on page 10 to install the AXIS 233D on your network.

Power connections

Power can be supplied to the camera by the following methods:

- Connect the supplied indoor power adapter to the power connector block and attach it to the camera casing. Note that this indoor power adapter provides power for the camera only.
- Connect an outdoor power supply to the power connector block and attach it to the camera casing. For information on available outdoor power supplies, please visit the Support pages at <http://www.axis.com/techsup/>

The power connector block supports both AC and DC input power.



IMPORTANT! - When using a DC power supply (included with this product), it is very important that it is connected correctly to the power block. Make sure the wire labeled with “+” is connected to pin 2 and the remaining wire GND to pin 3. With an AC power supply either wire can be connected to pin 1 or 2.

3 Assign an IP address

Most networks today have a DHCP server that automatically assigns IP addresses to connected devices. If your network does not have a DHCP server the AXIS 233D will use 192.168.0.90 as the default IP address.

If you would like to assign a static IP address the recommended method in Windows is either **AXIS IP Utility** or **AXIS Camera Management**. Depending on the number of cameras you wish to install, use the method that best suits your purpose.

Both of these free applications are available on the Axis Network Video Product CD supplied with this product, or they can be downloaded from www.axis.com/techsup

Method	Recommended for	Operating system
AXIS IP Utility See page 11	Single camera Small installations	Windows
AXIS Camera Management See page 12	Multiple cameras Large installations Installation on a different subnet	Windows 2000 Windows XP Pro Windows 2003 Server

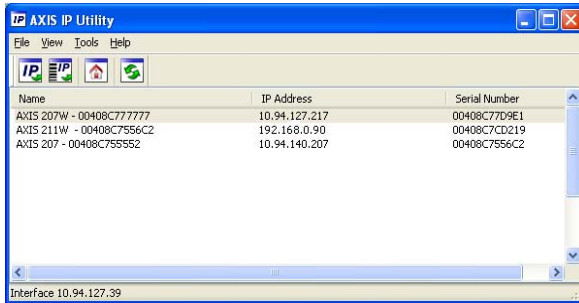
Notes:

- If assigning the IP address fails, check that there is no firewall blocking the operation.
- For other methods of assigning or discovering the IP address of the AXIS 233D, e.g. in other operating systems, see page 15.

AXIS IP Utility - single camera/small installation

AXIS IP Utility automatically discovers and displays Axis devices on your network. The application can also be used to manually assign a static IP address.

Note that the computer running AXIS IP Utility must be on the same network segment (physical subnet) as the AXIS 233D.




ENGLISH

Automatic discovery

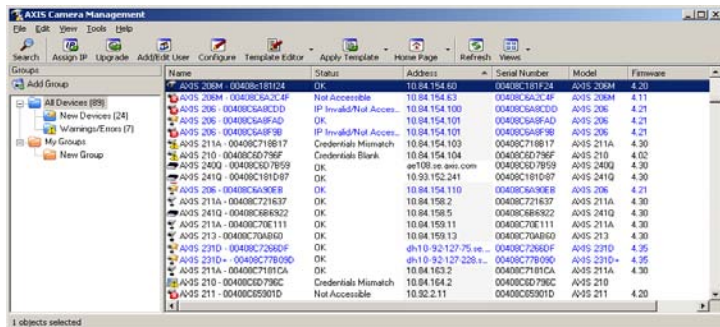
1. Check that the AXIS 233D is connected to the network and that power has been applied.
2. Start AXIS IP Utility.
3. When the camera appears in the window, double-click it to open its home page.
4. See page 13 for instructions on how to assign the password.

Assign the IP address manually (optional)

1. Acquire an unused IP address on the same network segment as your computer.
2. Select the AXIS 233D in the list.
3. Click the button **Assign new IP address to the selected device**  and enter the IP address.
4. Click the **Assign** button and follow the instructions.
5. Click the **Home Page** button to access the camera's web pages.
6. See page 13 for instructions on how to set the password.

AXIS Camera Management – multiple cameras/large installations

AXIS Camera Management can automatically discover multiple Axis devices, show connection status, manage firmware upgrades and set IP addresses.

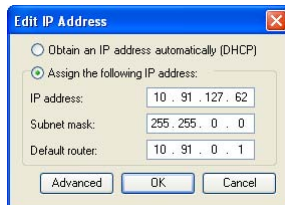


Automatic discovery

1. Check that the camera is connected to the network and that power has been applied.
2. Start AXIS Camera Management. When the AXIS 233D appears in the window, double-click it to open the camera's home page.
3. See page 13 for instructions on how to set the password.

Assign an IP address in a single device

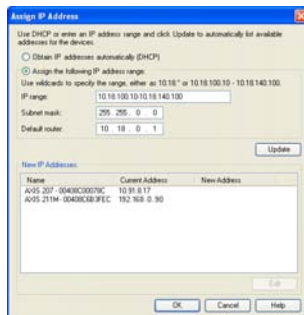
1. Select AXIS 233D in AXIS Camera Management and click the Assign IP button.
2. Select Assign the following IP address and enter the IP address, the subnet mask and default router the device will use.
3. Click the OK button.



Assign IP addresses in multiple devices

AXIS Camera Management speeds up the process of assigning IP addresses to multiple devices, by suggesting IP addresses from a specified range.

1. Select the devices you wish to configure (different models can be selected) and click the Assign IP button.
2. Select Assign the following IP address range and enter the range of IP addresses, the subnet mask and default router the devices will use.
3. Click the OK button.



4 Set the password

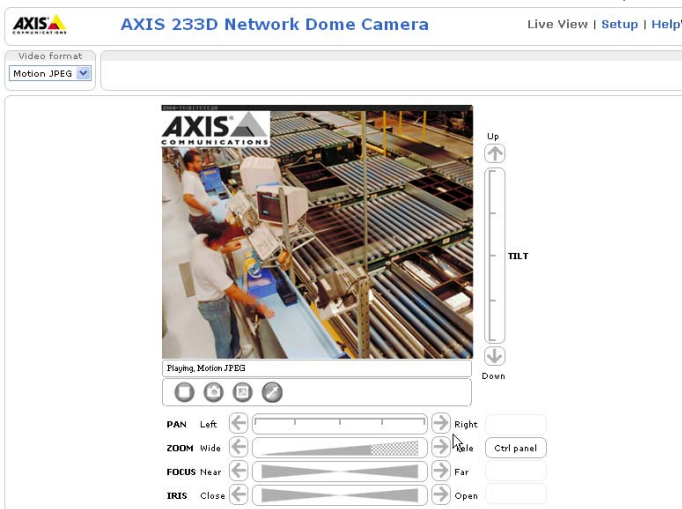
When accessing the AXIS 233D for the first time, the 'Configure Root Password' dialog will be displayed.



1. Enter a password and then re-enter it, to confirm the spelling. Click **OK**.
2. Enter the user name **root** in the 'Connect to ...' dialog.
Note: The default administrator user name **root** cannot be deleted.
3. Enter the password as set above, and click **OK**. If the password is lost, the AXIS 233D must be reset to the factory default settings. See page 20.
4. If required, click **Yes** to install **AMC (AXIS Media Control)**, which allows viewing of the video stream in Internet Explorer. You will need administrator rights on the computer to do this.

The Live View page of the AXIS 233D is displayed, with links to the Setup tools, which allow you to customize the camera.

Setup - Provides all the tools for configuring the camera to requirements.



Help - Displays online help on all aspects of using the camera.

Accessing the AXIS 233D from the Internet

Once installed, your AXIS 233D is accessible on your local network (LAN). To access the camera from the Internet, network routers must be configured to allow incoming traffic, which is usually done on a specific port. Please refer to the documentation for your router for further instructions.

For more information on this and other topics, visit the Axis Support Web at www.axis.com/techsup.

Other methods of setting the IP address

The table below shows the other methods available for setting or discovering the IP address. All methods are enabled by default, and all can be disabled.

	Use in operating system	Notes
UPnP™	Windows (ME or XP)	When enabled on your computer, the camera is automatically detected and added to "My Network Places."
Bonjour	MAC OSX (10.4 or later)	Applicable to browsers with support for Bonjour. Navigate to the Bonjour bookmark in your browser (e.g. Safari) and click on the link to access the camera's web pages.
AXIS Dynamic DNS Service	All	A free service from Axis that allows you to quickly and simply install your camera. Requires an Internet connection with no HTTP proxy. See www.axiscam.net for more information.
ARP/Ping	All	See below. The command must be issued within 2 minutes of connecting power to the camera.
View DHCP server admin pages	All	To view the admin pages for the network DHCP server, see the server's own documentation.

Set the IP address with ARP/Ping

1. Acquire an IP address on the same network segment your computer is connected to.
2. Locate the serial number (S/N) on the AXIS 233D label.
3. Open a command prompt on your computer and enter the following commands:

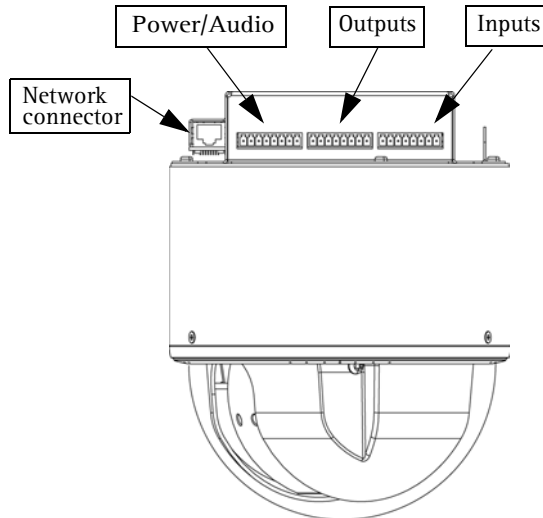
Windows syntax	Windows example
<pre>arp -s <IP Address> <Serial Number> ping -l 408 -t <IP Address></pre>	<pre>arp -s 192.168.0.125 00-40-8c-18-10-00 ping -l 408 -t 192.168.0.125</pre>
UNIX/Linux/Mac syntax	UNIX/Linux/Mac example
<pre>arp -s <IP Address> <Serial Number> temp ping -s 408 <IP Address></pre>	<pre>arp -s 192.168.0.125 00:40:8c:18:10:00 temp ping -s 408 192.168.0.125</pre>

4. Check that the network cable is connected to the camera and then start/restart the camera, by disconnecting and reconnecting power.
5. Close the command prompt when you see 'Reply from 192.168.0.125: ...' or similar.
6. In your browser, type in `http://<IP address>` in the Location/Address field and press Enter on your keyboard.

Notes:

- To open a command prompt in Windows: from the Start menu, select Run... and type cmd. Click OK.
- To use the ARP command on a Mac OS X, use the Terminal utility in Application > Utilities.

Unit connectors



Network connector - RJ-45 Ethernet connector. Using shielded cables is recommended. Use care when inserting and removing the network cable.

I/O terminal connector - Used in applications for e.g. motion detection, event triggering, time lapse recording, alarm notifications, etc. It provides the interface to:

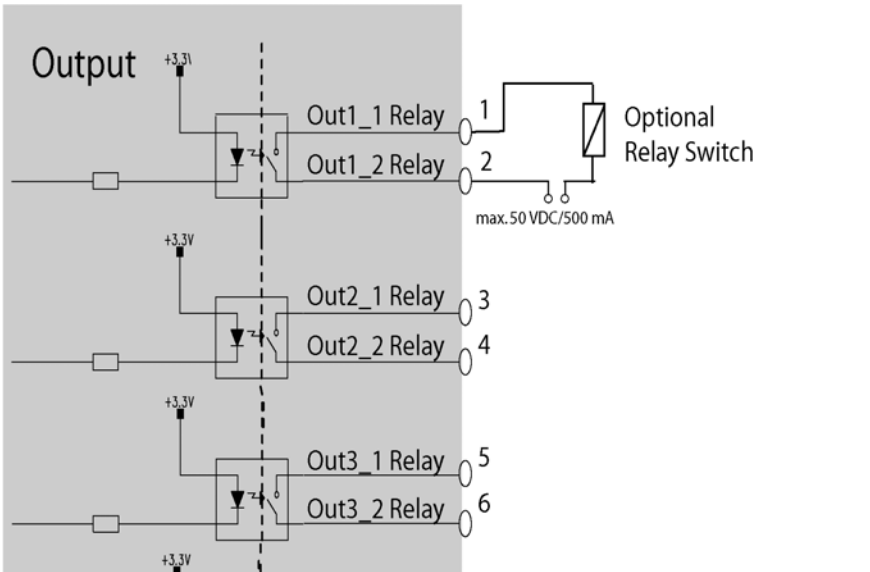
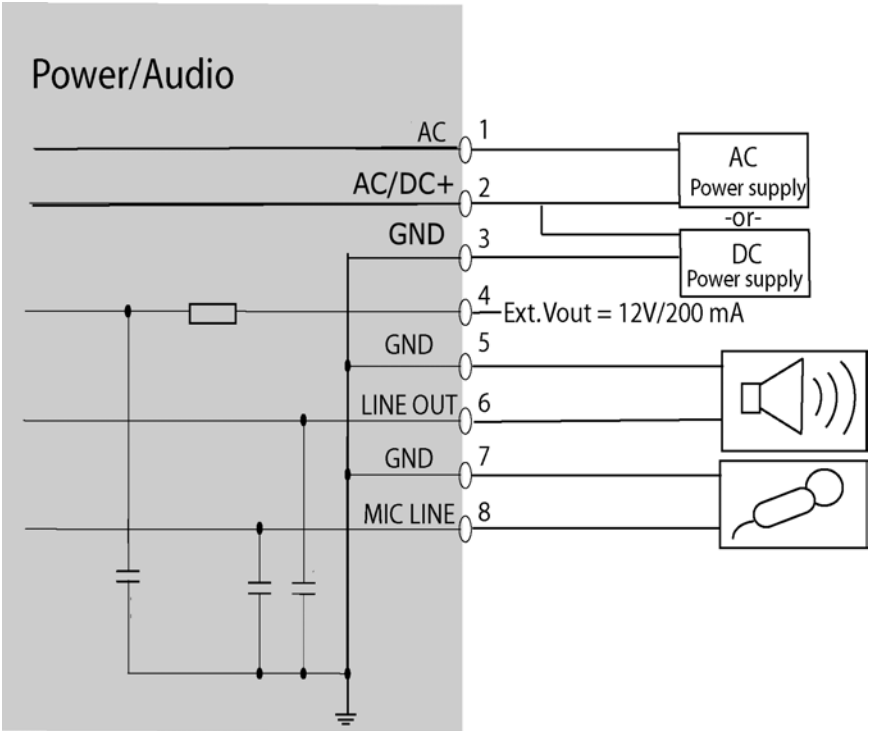
- **Power/Audio** - Power, auxiliary power, GND and audio.
- **Outputs** - 4 solid state relay outputs. These can drive a maximum load of 50V DC or 35VAC at 500mA or they can drive heavier loads by connecting additional relay circuitry. If the output is used with an external relay, a diode must be connected in parallel with the load for protection against voltage transients. The terminals use a photocoupler and are electrically isolated from the other internal circuitry.
- **Inputs** - 4 alarm inputs. Used for connecting external alarm devices and triggering images for specific alarm-based events. The input is typically connected to a motion detector or any other external security device, and images can be uploaded whenever the detector is activated. The inputs are allowed 3.3 - 40VDC. The terminals use a photocoupler and are electrically isolated from the other internal circuitry.

I/O terminal connector blocks (3x8 pins)

Pin	Function	Description
Power/Audio		
1	Power AC	18 - 30 VAC max 25VA power consumption.
2	Power AC/DC+	18 - 30 VAC max 25VA power consumption. -or- 22 - 40 VDC max 20W power consumption.
3	GND	Ground
4	Vout	12V/200mA Vout can be used to power auxiliary equipment, max 200mA.
5	GND	Ground
6	Line OUT	Mono audio output (line level), which can be connected to an active speaker with built-in amplifier.
7	GND	Ground
8	Mic/Line IN	Input for a mono microphone or line level mono signal.
Output		
1	Out1_1_relay	On the external device output terminals (e.g. Out1_1 and Out1_2) there is no distinction between positive and negative. The terminals use a photocoupler and are electrically isolated from the other internal circuitry.
2	Out1_2_relay	
3	Out2_1_relay	
4	Out2_2_relay	
5	Out3_1_relay	The maximum load should not exceed 500mA and the maximum voltage should be not more than 50VDC or 35VAC.
6	Out3_2_relay	
7	Out4_1_relay	
8	Out4_2_relay	
Input		
1	In1_anode(+)	Electrically isolated from the chassis and connectors, these inputs can be supplied from an external DC voltage or pin 4 (Vout) of the Power/Audio Connector and GND. (3.3 - 40VDC allowed on the inputs) The terminals use a photocoupler and are electrically isolated from the other internal circuitry. Note: There is a distinction between anode and cathode when making connections!
2	In1_cathode(-)	
3	In2_anode(+)	
4	In2_cathode(-)	
5	In3_anode(+)	
6	In3_cathode(-)	
7	In4_anode(+)	
8	In4_cathode(-)	

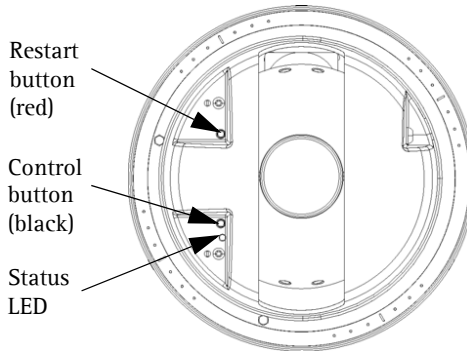
ENGLISH

Schematic Diagram - AXIS 233D I/O connectors and power



LED indicator and buttons

Top view



Status LED

Color	Description
Unlit	Steady connection/normal operation
Amber	Steady for system initiating. Flashes during firmware upgrade or reset to factory default.
Amber/red	Flashes amber/red for no network connection
Red	Flashes red for firmware upgrade failure
Green	Shows steady green for 10 sec. for normal operation after restart

Resetting to the Factory Default Settings

This will reset all parameters, including the IP address, to the Factory Default settings:

1. Remove dome of camera.
2. Press and hold the red and black button at the same time. Release the red restart button, but continue to hold down the black control button.
3. Keep the black control button pressed until the status indicator flashes amber (this may take up to 15 seconds).
4. Release the black control button.
5. When the status indicator displays green (which can take up to 1 minute) the process is complete and the camera has been reset to factory default.
6. Re-assign the IP address in the AXIS 233D using one of the methods described in this document.

Further information

The user's manual is available from the Axis Web site at www.axis.com or from the Axis Network Video Product CD supplied with this product.

Tip!

Visit www.axis.com/techsup to check if there is updated firmware available for your AXIS 233D. To see the currently installed firmware version, see the Basic Configuration web page in the product's Setup tools.

AXIS 233D

Guide d'installation

Ce guide d'installation vous explique comment installer l'appareil caméra réseau à dôme AXIS 233D sur votre réseau. Pour d'autres informations sur l'utilisation de ce produit, consultez le Manuel de l'utilisateur, disponible sur le CD fourni ou sur www.axis.com/techsup.

Étapes de l'installation

1. Vérifiez le contenu de la livraison à l'aide de la liste ci-dessous.
2. Installation du matériel. Reportez-vous à la page 22.
3. Paramétrez une adresse IP. Reportez-vous à la page 29.
4. Définissez le mot de passe. Reportez-vous à la page 32.

Important !

Ce produit doit être utilisé conformément aux lois et dispositions locales en vigueur.

FRANÇAIS

1 Contenu de l'emballage

Article	Modèles/variantes/remarques
Caméra réseau à dôme	AXIS 233D
Alimentation intérieure avec câble d'alimentation	Europe Royaume-Uni Australie États-Unis/Japon Corée
Connecteurs pour terminaux	3 connecteurs (8 broches) pour la connexion d'équipements externes aux connecteurs pour terminaux E/S
Kit de montage	Montage sur plafond plein pour une utilisation en intérieur Montage sur faux-plafond pour une utilisation en intérieur
CD	CD AXIS Network Video Product avec la documentation du produit, les outils d'installation et d'autres logiciels
Documentation sur papier	Guide d'installation de l'appareil AXIS 233D (le présent document) Document de garantie d'Axis

Avant de commencer :

Si l'appareil AXIS 233D doit être installé dans un endroit difficile d'accès, il est recommandé de définir l'adresse IP et de faire fonctionner la caméra avant de terminer l'installation matérielle.

Dimensions

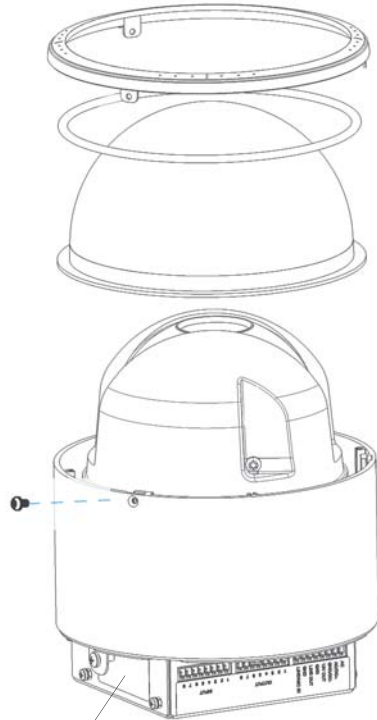
HxWxD = H x L x P = 209 x 170 x 170 mm

Poids = 2,5 kg, alimentation exclue

2 Installation du matériel

Positionnement de la bulle du dôme sur la caméra

1. Positionnez la bulle du dôme sur la base de la caméra.
2. Placez le O-ring et la bague noire comportant les coordonnées sur le dôme. Tournez la bague jusqu'à ce qu'elle s'enclenche.
3. Les vis utilisées pour fixer la bague noire diffèrent en fonction du type de plafond sur lequel est effectuée l'installation (voir figure de droite).
(ne serrez pas entièrement les vis)
 - Montage sur plafond plein: 3 vis à tête à empreinte
 - Montage sur faux-plafond: 3 vis M3x10
4. Serrez les vis de sorte que la bague et le dôme soient solidement fixés. Suivez les instructions relatives au montage de caméra de votre choix.



Remarque :

Ne pas utiliser la bulle du dôme si la caméra est installé dans un caisson de protection car l'utilisation de deux bulles réduit la qualité de l'image et donne une image trouble.

Remarque :

Le numéro de série de la caméra (S/N) figure sur cette étiquette. Ce numéro est nécessaire pour définir l'adresse IP de la caméra.

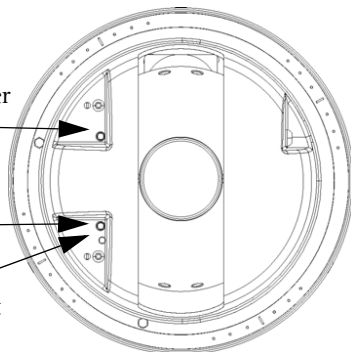
Une autre étiquette est fournie avec ce produit. Conservez-la en lieu sûr pour une utilisation ultérieure.

Vue de dessus

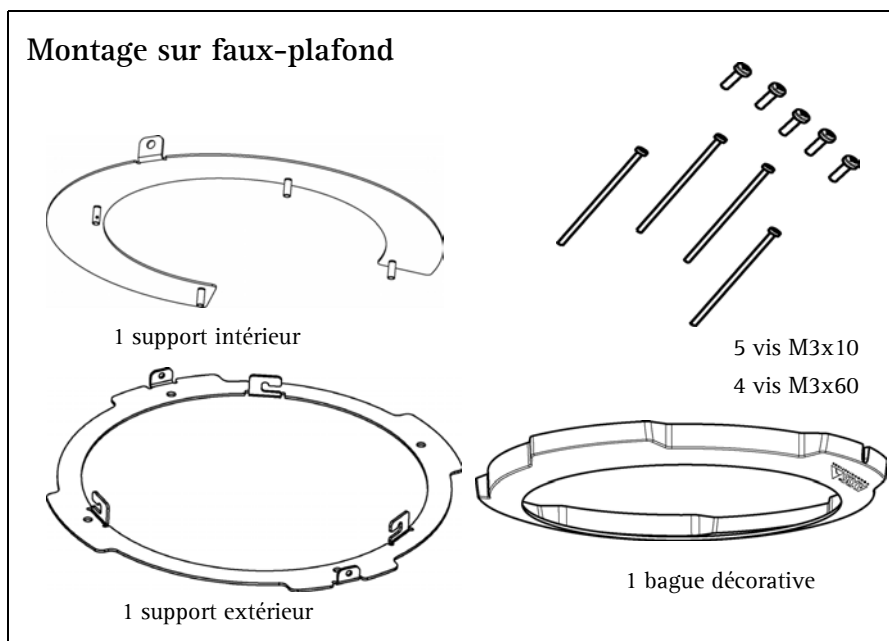
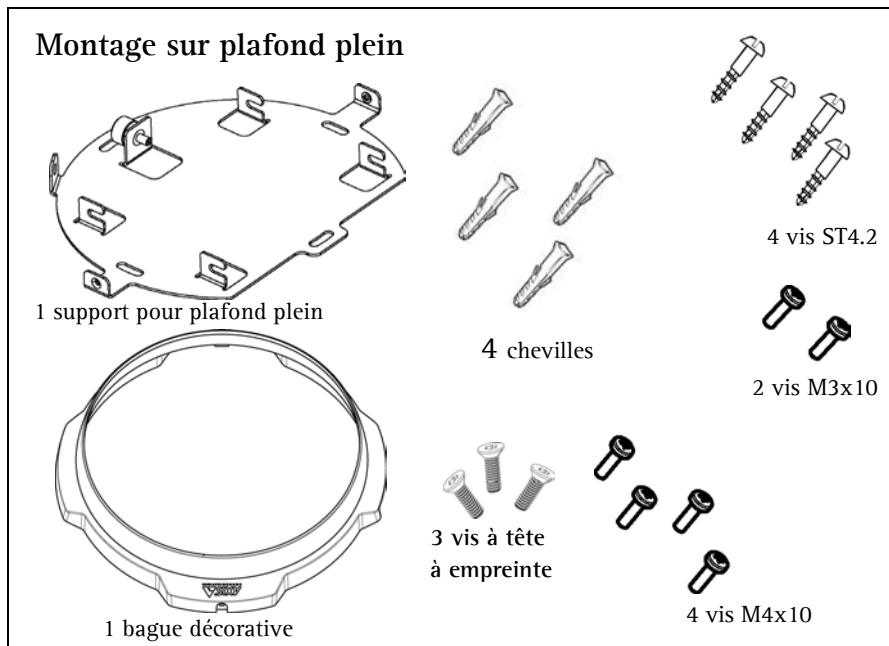
Rouge Redémarrer de commande

Noir Bouton de commande

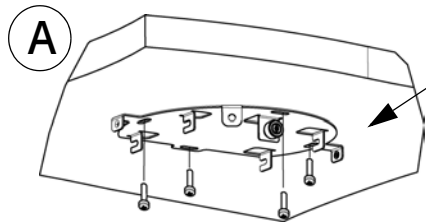
Témoin DEL d'état



Contenu de l'emballage pour le montage sur plafond

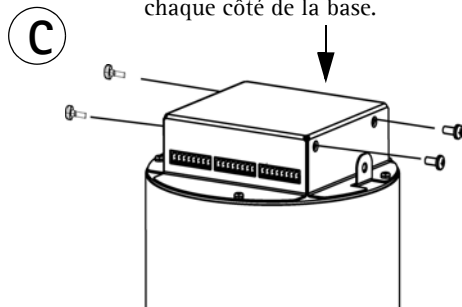


Montage sur plafond plein

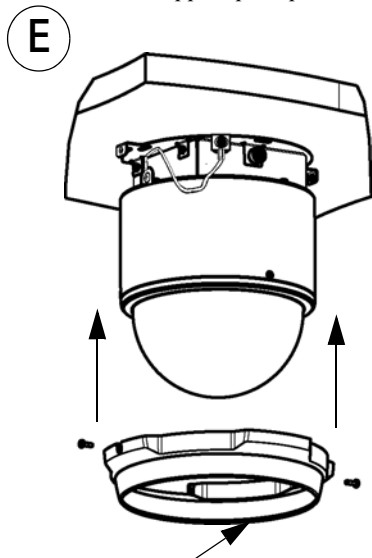


Fixez le support au plafond avec les 4 vis ST4.2 et les 4 chevilles.

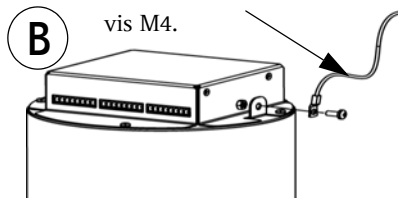
Insérez 2 vis M4 dans chaque côté de la base.



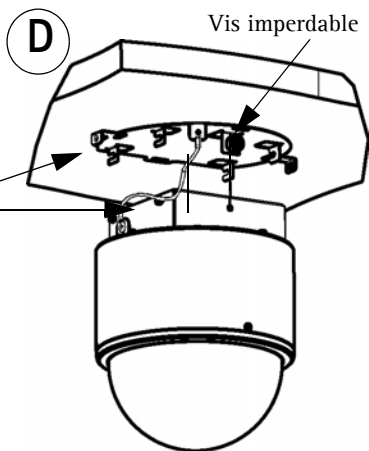
Insérez la caméra réseau dans le support pour plafond.



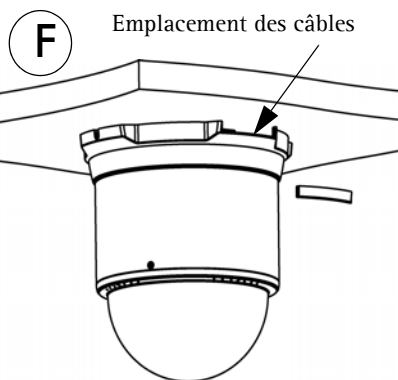
Dispositif coulissant de la bague décorative



Fixez le fil de sécurité sur le support et sur la base du dôme à l'aide d'un boulon et d'une vis M4.



Vis imperdable

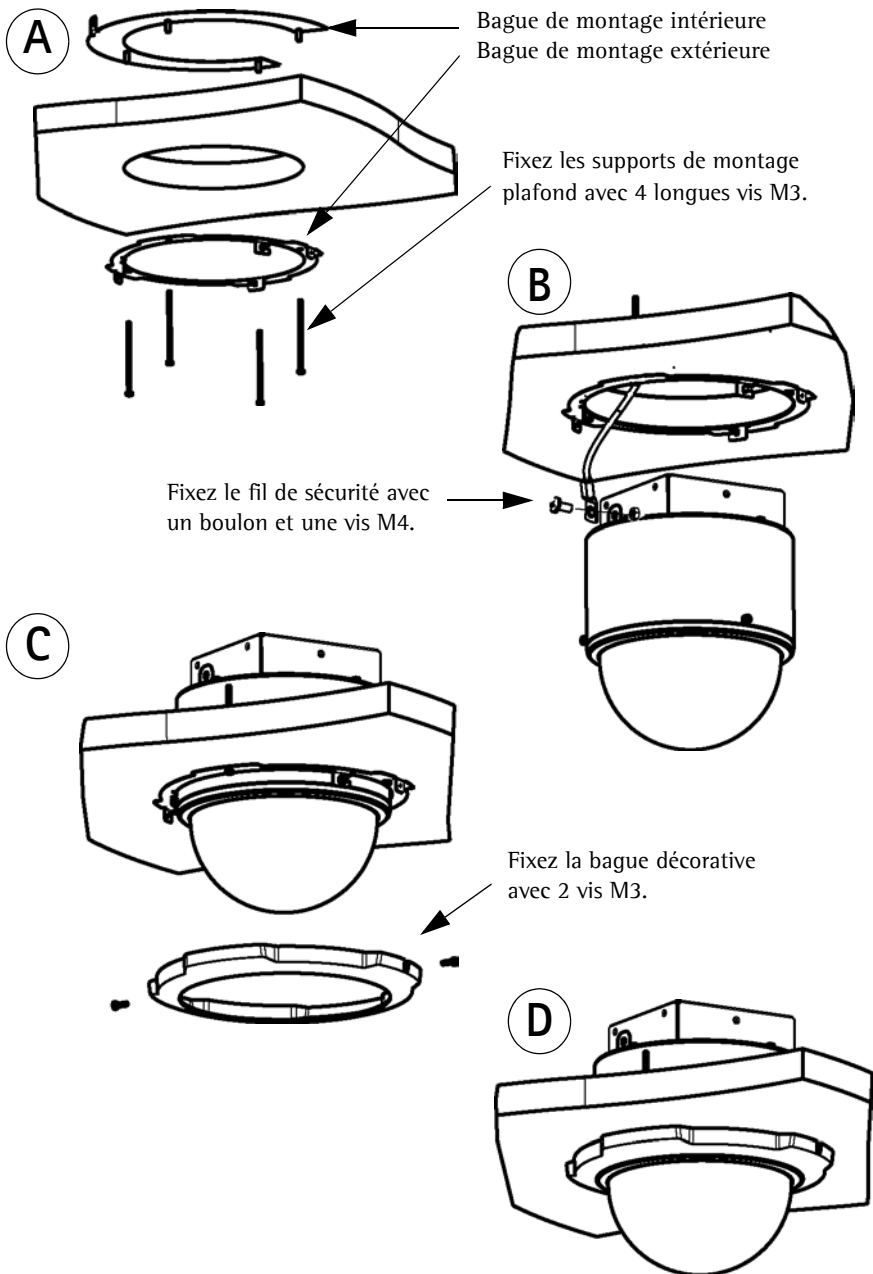


Emplacement des câbles

En vous aidant de l'illustration du montage sur plafond plein, suivez les instructions ci-dessous pour monter la caméra à dôme :

1. Fixez le support au plafond avec 4 vis ST4.2 et 4 chevilles (figure A).
2. Fixez une extrémité du fil de sécurité sur le support et l'autre sur l'appareil AXIS 233D avec un boulon et une vis M4 (figure B).
3. Insérez partiellement 4 vis M4 (2 de chaque côté) dans la base de la caméra (figure C).
4. Insérez l'appareil AXIS 233D dans le support et serrez la vis imperdable pour avoir les mains libres et serrez les 4 vis dans les emplacements prévus à cet effet (2 de chaque côté) sur l'appareil AXIS 233D (figure D).
5. Connectez le câble réseau.
6. Connectez le câble d'alimentation au bloc de connexion (reportez-vous à *Alimentation*, page 28).
7. Faites glisser la bague décorative sur l'appareil AXIS 233D et fixez-la au support à l'aide de 2 vis M3. Veillez à placer le côté comportant une fente sur les blocs de connexion des câbles (figure E).
8. L'installation matérielle est terminée ; passez à présent à la section *Attribution d'une adresse IP*, page 29 pour installer l'appareil AXIS 233D sur votre réseau.

Montage sur faux-plafond



En vous aidant de l'illustration du montage sur faux-plafond, suivez les instructions ci-dessous pour monter la caméra à dôme :

1. Sur le plafond, repérez l'emplacement où pratiquer un trou de 190 mm. Le gabarit fourni vous aide à marquer le trou de montage.
2. Découpez un trou dans le plafond en suivant les marques.
3. Insérez la bague de montage intérieure dans le plafond, les guides de vis pointant vers le bas (figure A).
4. Avec 4 longues vis M3, fixez la bague de montage intérieure à la bague extérieure.
5. Fixez le fil de sécurité à un élément solide du plafond et à la base de la caméra avec un boulon et une vis M4 (figure B).
6. À travers le trou percé dans le plafond, connectez le câble Ethernet et le câble d'alimentation au bloc de connexion (reportez-vous à *Alimentation*, page 28).
7. Poussez le dôme vers le haut pour l'insérer dans le support installé en veillant à aligner les trous de vis du corps (voir étape 3, page 22) sur les emplacements de vis du support de montage. Serrez les vis pour fixer fermement la caméra au support.
8. Faites glisser la bague décorative sur le dôme en alignant les trous de vis sur les emplacements de vis du support. Utilisez 2 vis M3 pour fixer la bague décorative (figure C).
9. L'installation matérielle est terminée ; passez à présent à la section *Attribution d'une adresse IP*, page 29 pour installer l'appareil AXIS 233D sur votre réseau.

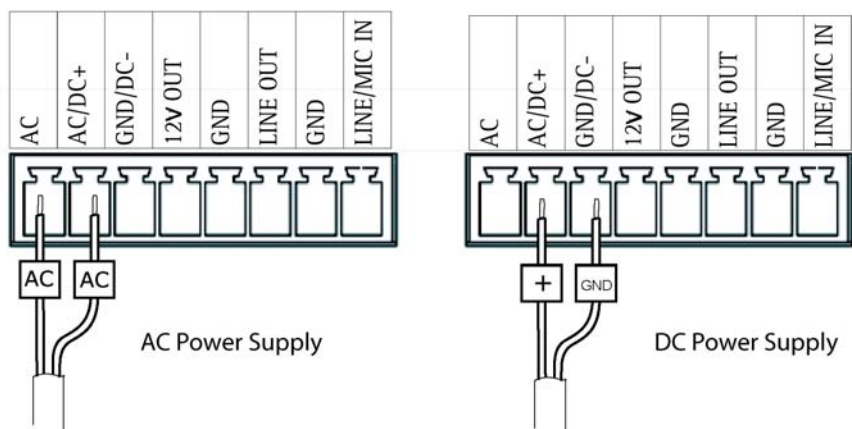
Alimentation

La caméra peut être alimentée comme suit :

- Branchez l'alimentation intérieure fournie au connecteur d'alimentation et fixez-la au boîtier de la caméra. Notez que cette alimentation intérieure alimente uniquement la caméra.
- Branchez l'alimentation extérieure au connecteur d'alimentation et fixez-la au boîtier de la caméra. Pour connaître la liste des alimentations extérieures disponibles, consultez les pages de Support à l'adresse <http://www.axis.com/techsup/>

Le connecteur d'alimentation prend en charge les alimentations d'entrée CA et CC.

Tableau d'affectation des broches du connecteur d'alimentation





IMPORTANT! - Lors de l'utilisation d'un transformateur DC (inclus avec ce produit), il est très important de raccorder correctement les fils électriques au bloc d'alimentation. Vérifiez que le câble avec le signe + est raccordé à la fiche/borne 2 et que le câble restant est raccordé à la fiche/borne 3 de mise à la terre (GND). Avec un bloc d'alimentation AC vous pouvez raccorder les câbles aussi bien sur les fiches/bornes 1 ou 2.

3 Attribution d'une adresse IP

Aujourd'hui, la plupart des réseaux comportent un serveur DHCP qui attribue automatiquement des adresses IP aux dispositifs connectés. Si ce n'est pas le cas de votre réseau, l'AXIS 233D utilisera l'adresse IP par défaut 192.168.0.90.

Si vous souhaitez affecter une adresse IP statique, sous Windows nous recommandons l'utilisation de l'application **AXIS IP Utility** ou de l'application **AXIS Camera Management**. Selon le nombre de caméras à installer, utilisez la méthode qui vous convient le mieux.

Ces deux applications gratuites sont disponibles sur le CD de la caméra vidéo réseau Axis fourni avec ce produit. Vous pouvez également les télécharger à partir du site www.axis.com/techsup.

Méthode	Recommandée pour	Système d'exploitation
 AXIS IP Utility Voir page 30	Une seule caméra Les petites installations	Windows
 AXIS Camera Management Voir page 31	Plusieurs caméras Les grandes installations Installation sur un autre sous-réseau	Windows 2000 Windows XP Pro Windows 2003 Server

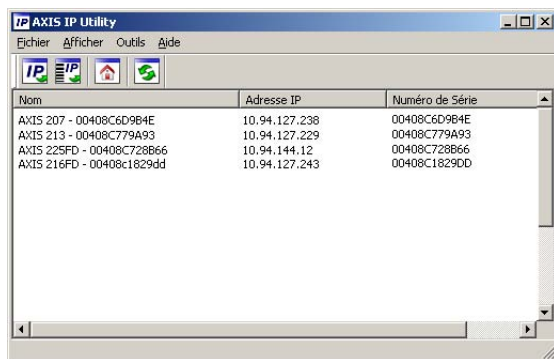
Remarques

- En cas d'échec de l'attribution de l'adresse IP, vérifiez qu'aucun pare-feu ne bloque l'opération.
- Pour connaître les autres méthodes d'affectation ou de repérage de l'adresse IP de la caméra AXIS 233D, par exemple sur d'autres systèmes d'exploitation, reportez-vous à la page 34.

AXIS IP Utility - Une seule caméra/petite installation

L'utilitaire AXIS IP Utility détecte et affiche automatiquement les périphériques Axis de votre réseau. Cette application sert également à définir manuellement une adresse IP statique.


Notez que l'ordinateur exécutant l'application AXIS IP Utility doit se trouver sur le même segment de réseau (sous-réseau physique) que la caméra AXIS 233D.



Détection automatique

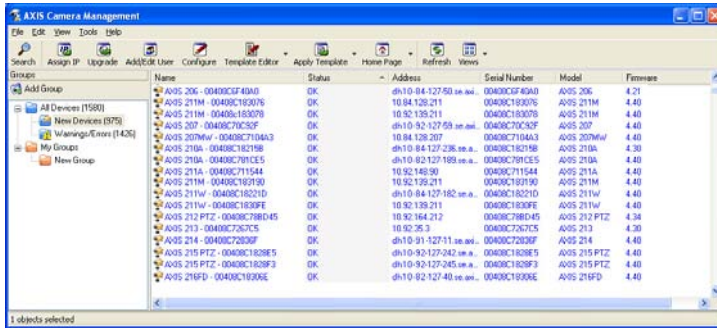
1. Vérifiez que la caméra AXIS 233D est connectée au réseau et que l'alimentation est activée.
2. Démarrez AXIS IP Utility.
3. Lorsque l'icône de la caméra apparaît dans la fenêtre, double-cliquez dessus pour ouvrir la page d'accueil correspondante.
4. Consultez la page 32 pour savoir comment définir le mot de passe.

Définissez manuellement l'adresse IP (optionnel)

1. Trouvez une adresse IP inutilisée sur le même segment de réseau que celui de votre ordinateur.
2. Sélectionnez le nom abrégé du produit dans la liste.
3. Cliquez sur le bouton **Paramétrer une nouvelle adresse IP** de l'outil sélectionné. 
4. Cliquez sur le bouton **Paramétrer** et suivez les instructions.
5. Cliquez sur le bouton **Page d'accueil** pour accéder aux pages Web de la caméra.
6. Consultez la page 32 pour savoir comment définir le mot de passe.

AXIS Camera Management – Plusieurs caméras/grandes installations


AXIS Camera Management peut détecter automatiquement plusieurs dispositifs Axis, afficher les états de connexion, gérer les mises à niveau du microcode et définir les adresses IP.

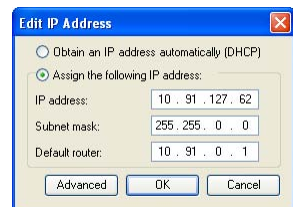


Détection automatique

1. Vérifiez que la caméra est connectée au réseau et que l'alimentation est activée.
2. Démarrez AXIS Camera Management. Double-cliquez sur l'icône de l'AXIS 233D lorsqu'elle apparaît dans la fenêtre de façon à ouvrir la page d'accueil.
3. Consultez la page 32 pour savoir comment définir le mot de passe.


Attribuer une adresse IP à un seul dispositif

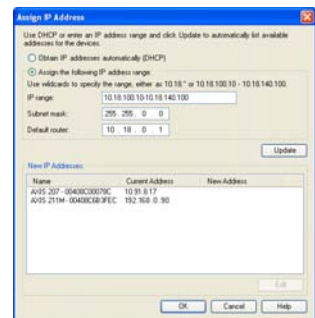
1. Sélectionnez AXIS 233D dans l'application AXIS Camera Management, puis cliquez sur le bouton **Assign IP** (Affecter une IP). 
2. Sélectionnez **Assign the following IP address** (Affecter l'adresse IP suivante) et saisissez la plage d'adresse IP, le masque de sous-réseau et le routeur par défaut que le dispositif utilisera.
3. Cliquez sur le bouton **OK**.



Attribuer des adresses IP à plusieurs dispositifs

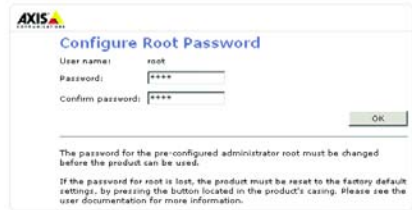
AXIS Camera Management accélère le processus d'affectation d'adresses IP sur plusieurs appareils en suggérant les adresses IP parmi une plage spécifiée.

1. Sélectionnez les appareils à configurer (il peut s'agir de plusieurs modèles), puis cliquez sur le bouton **Assign IP** (Affecter une adresse IP). 
2. Sélectionnez **Assign the following IP address range** (Affecter la plage d'adresses IP suivante) et saisissez la plage d'adresses IP, le masque de sous-réseau et le routeur par défaut que les dispositifs utiliseront.
3. Cliquez sur le bouton **OK**.



4 Définition du mot de passe

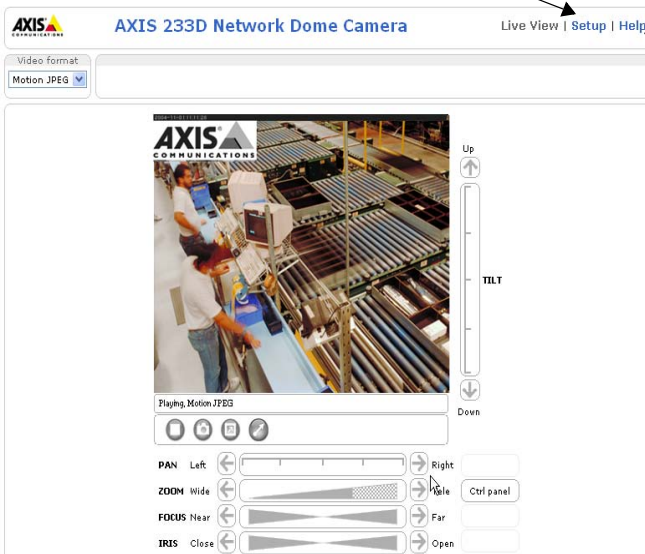
Si vous accédez à la caméra AXIS 233D pour la première fois, la boîte de dialogue **Configure Root Password** (Configurer le mot de passe root) s'affiche.



1. Entrez un mot de passe et entrez-le une seconde fois pour en confirmer l'orthographe. Cliquez sur **OK**.
2. Saisissez le nom d'utilisateur root dans la boîte de dialogue **Connect to...** .
Remarque : le nom d'utilisateur par défaut de l'administrateur, à savoir root, ne peut pas être supprimé.
3. Entrez le mot de passe comme expliqué ci-dessus, puis cliquez sur **OK**. Si vous avez oublié votre mot de passe, vous devrez rétablir les paramètres d'usine par défaut de la caméra AXIS 233D. Reportez-vous à la page 39.
4. Si nécessaire, cliquez sur **Yes (Oui)** pour installer AMC (Axis Media Control) afin de pouvoir visualiser le flux vidéo dans Internet Explorer. Pour ce faire, vous devrez être connecté à votre ordinateur avec les droits d'administrateur.

La page **Live View** (Vidéo en direct) de la caméra AXIS 233D s'affiche, avec des liens vers les outils de configuration pour adapter la caméra à vos besoins.

Setup (Configuration): contient tous les outils nécessaires pour adapter la caméra à vos besoins.



Help (Aide): affiche une aide en ligne sur l'utilisation de la caméra.

Accès à la caméra AXIS 233D depuis Internet

Une fois installée, votre caméra AXIS 233D est accessible depuis votre réseau local (LAN). Pour accéder à la caméra depuis Internet, vous devez configurer les routeurs réseau afin d'autoriser l'entrée de données, ce qui se fait généralement sur un port spécifique. Consultez la documentation de votre routeur pour obtenir davantage d'instructions.

Pour de plus amples informations, visitez le site de support d'Axis à l'adresse www.axis.com/techsup.

Autres méthodes de définition de l'adresse IP

Le tableau ci-dessous indique les autres méthodes permettant de définir ou de déterminer l'adresse IP. Toutes les méthodes sont activées par défaut et désactivables.

	Système d'exploitation	Remarques
UPnP™	Windows (ME ou XP)	Lorsque la caméra est activée sur votre ordinateur, elle est détectée et ajoutée automatiquement au dossier Favoris réseau.
Bonjour	MAC OS X (10.4 ou version ultérieure)	Applicable aux navigateurs prenant en charge Bonjour. Accédez au raccourci de Bonjour dans votre navigateur (par exemple, Safari), puis cliquez sur le lien pour accéder aux pages Web de la caméra.
AXIS Dynamic DNS Service	Tous	Service Axis gratuit vous permettant d'installer rapidement votre caméra en toute simplicité. Nécessite une connexion Internet sans proxy HTTP Pour plus d'informations, visitez le site www.axiscam.net .
ARP/Ping	Tous	Reportez-vous aux instructions ci-dessous. La commande doit être saisie dans les 2 minutes suivant la connexion de l'alimentation à la caméra.
Serverur DHCP	Tous	Pour consulter les pages administratives du serveur DHCP réseau, reportez-vous à la documentation du serveur.

Définition de l'adresse IP à l'aide d'ARP/Ping

1. Trouvez une adresse IP inutilisée sur le même segment de réseau que celui de votre ordinateur.
2. Repérez le numéro de série (S/N) sur l'étiquette de la caméra AXIS 233D.
3. Ouvrez une invite de commande sur votre ordinateur et entrez les commandes suivantes :

Syntaxe pour Windows	Exemple pour Windows
<pre>arp -s <adresse IP> <numéro de série> ping -l 408 -t <adresse IP></pre>	<pre>arp -s 192.168.0.125 00-40-8c-18-10-00 ping -l 408 -t 192.168.0.125</pre>
Syntaxe pour UNIX/Linux/Mac	Exemple pour UNIX/Linux/Mac
<pre>arp -s <adresse IP > <numéro de série> temp ping -s 408 <adresse IP></pre>	<pre>arp -s 192.168.0.125 00:40:8c:18:10:00 temp ping -s 408 192.168.0.125</pre>

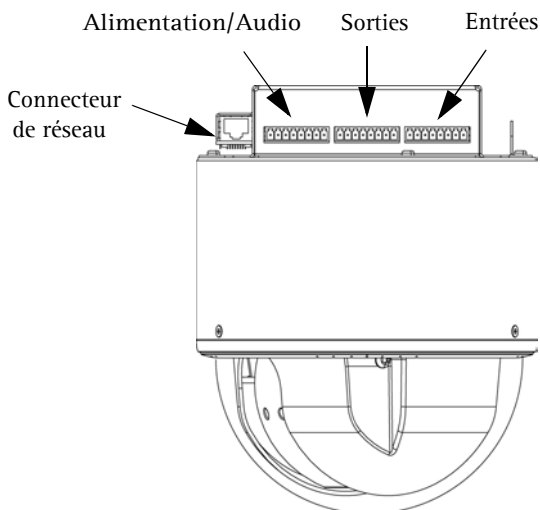
4. Vérifiez que le câble réseau est connecté à la caméra, puis démarrez/redémarrez cette dernière en débranchant, puis en rebranchant l'alimentation. La commande doit être saisie dans les 2 minutes suivant la connexion de l'alimentation à la caméra.
5. Fermez la commande d'invite quand vous voyez « Reply from 192.168.0.125: ... » (Réponse de 192.168.0.125 : ...) ou un message similaire.
6. Dans votre navigateur, tapez <http://<adresse IP>> dans le champ Emplacement/Adresse, puis appuyez sur Entrée sur le clavier.

Remarques

- Pour ouvrir une invite de commande sous Windows : dans le menu Démarrer, sélectionnez Exécuter... et tapez cmd (ou commande sous Windows 98/ME). Cliquez sur OK.

Pour utiliser la commande ARP sur Mac OS X, utilisez l'utilitaire Terminal dans Application > Utilitaires.

Connecteurs de l'unité



Connecteur de réseau - Connecteur Ethernet RJ-45. Il est recommandé d'utiliser des câbles blindés. Il est aussi recommandé de faire attention lorsque l'on insère ou enlève le câble.

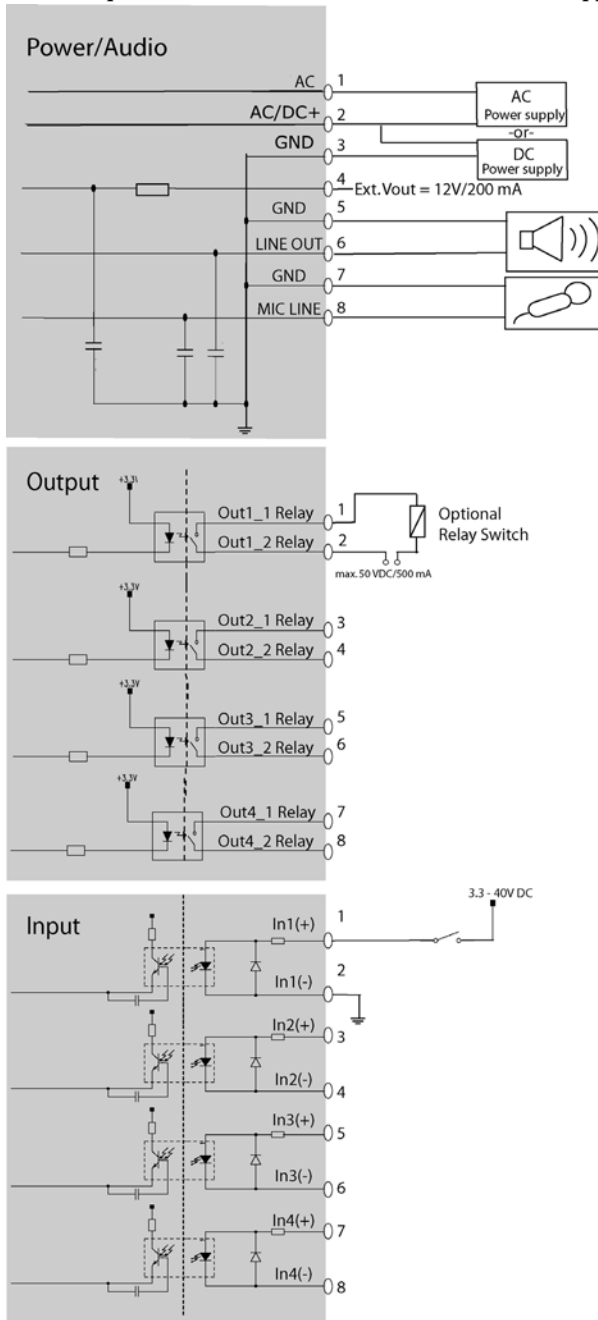
Connecteur pour terminaux E/S - Utilisé dans les applications, par exemple pour la détection de mouvement, le déclenchement d'événements, l'enregistrement à intervalles, les notifications d'alarme, etc. Il sert d'interface aux éléments suivants :

- **Alimentation/Audio** - Alimentation, alimentation auxiliaire, mise à la terre et audio.
- **Sorties** - 4 sorties de relais à semi-conducteurs - Ces sorties peuvent faire circuler une charge maximale de 50 Vcc ou 35 Vac à 500 mA ou des charges supérieures si vous connectez un relay supplémentaire. En cas d'utilisation de la sortie avec un relais externe, une diode doit être connectée en parallèle avec la charge, comme protection contre les tensions transitoires. Les terminaux utilisent un photocoupleur et sont isolés électriquement de l'autre circuit interne.
- **Entrées** - 4 entrées d'alarme - Ces entrées permettent de connecter des dispositifs d'alarme externes et de déclencher des images pour des événements d'alarme spécifiques. L'entrée est généralement connectée à un détecteur de mouvement ou autre dispositif de sécurité externe et les images peuvent être téléchargées chaque fois que le détecteur est activé. 3,3 - 40 Vcc sont autorisés pour les entrées. Les terminaux utilisent un photocoupleur et sont isolés électriquement de l'autre circuit interne.

3 connecteurs pour terminaux E/S à 8 broches

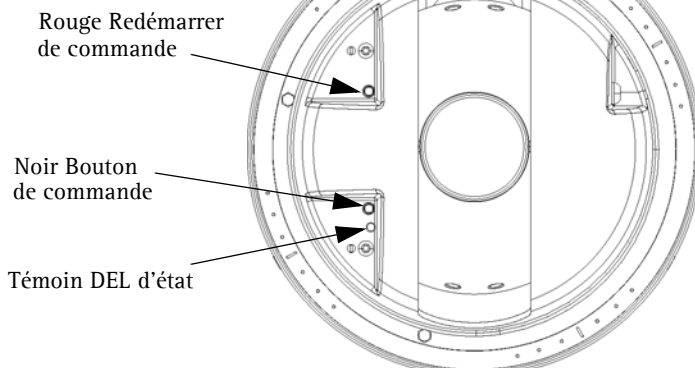
Broche	Fonction	Description
Alimentation/Audio		
1	Connecteur AC	18-30 Vca Consommation électrique de 25 W max.
2	Connecteur AC/DC+	18-30 Vca Consommation électrique de 25 W max -ou- 22-40 Vcc Consommation électrique de 20 W max.
3	GND	Terre
4	Vout	12 V/200 mA La tension de sortie (Vout) peut être utilisée pour alimenter un équipement auxiliaire (200 mA maximum).
5	GND	Terre
6	Line OUT	Sortie audio mono (niveau ligne) pouvant être connectée à un haut-parleur actif avec amplificateur intégré.
7	GND	Terre
8	Mic/Line IN	Entrée pour signal mono microphone mono ou niveau ligne.
Sortie		
1	Out1_1_relay	Sur les terminaux de sortie externes (Out1_1 et Out1_2 par exemple), il n'y a aucune distinction entre le positif et le négatif. Les terminaux utilisent un photocoupleur et sont isolés électriquement de l'autre circuit interne. La charge maximale autorisée est de 500 mA et la tension maximale ne doit pas dépasser 50 Vcc ou 35 Vac.
2	Out1_2_relay	
3	Out2_1_relay	
4	Out2_2_relay	
5	Out3_1_relay	
6	Out3_2_relay	
7	Out4_1_relay	
8	Out4_2_relay	
Entrée		
1	In1_anode(+)	Isolées électriquement du bâti et des connecteurs, ces entrées peuvent être fournies par une alimentation CC externe ou par la broche 4 (Vout) du connecteur alimentation/audio et par la mise à la terre (GND) (3,3 - 40 Vcc autorisés sur ces entrées). Les terminaux utilisent un photocoupleur et sont isolés électriquement de l'autre circuit interne. Remarque : anode et cathode doivent être différenciées lors des branchements.
2	In1_cathode(-)	
3	In2_anode(+)	
4	In2_cathode(-)	
5	In3_anode(+)	
6	In3_cathode(-)	
7	In4_anode(+)	
8	In4_cathode(-)	

Diagramme schématique - Connecteurs d'E/S et alimentation de l'appareil AXIS 233D



Témoins DEL et boutons

Vue de dessus



Témoin DEL d'état

Couleur	Description
Éteint	Connexion stable/fonctionnement normal
Orange	Reste allumé en cas d'initialisation du système. Clignote pendant les mises à niveau microprogrammes ou le rétablissement des paramètres d'usine par défaut.
Orange/rouge	Clignote en orange/rouge en l'absence de connexion réseau.
Rouge	Clignote en rouge en cas d'échec de la mise à niveau microprogramme.
Vert	Reste allumé en vert pendant 10 secondes en cas de fonctionnement normal après le redémarrage.

Rétablissement des paramètres d'usine par défaut

Procédez comme suit pour revenir aux paramètres par défaut définis en usine et réinitialiser l'adresse IP :

1. Retirez le dôme de la caméra.
2. Appuyez simultanément sur les boutons rouge et noir et maintenez-les enfoncés. Relâchez le bouton de redémarrage rouge tout en maintenant enfoncé le bouton de commande noir.
3. Appuyez sur le bouton de commande noir jusqu'à ce que le voyant d'état passe à l'orange et clignote (cela peut prendre jusqu'à 15 secondes).
4. Relâchez le bouton de commande noir.
5. Lorsque le voyant d'état émet une lumière verte (ce qui peut prendre 1 minute), les paramètres d'usine par défaut de la caméra ont été rétablis.
6. Réaffectez l'adresse IP de l'appareil AXIS 233D à l'aide de l'une des méthodes décrites dans ce document.

Plus d'informations

Le Manuel de l'utilisateur est disponible sur le site Web d'Axis, , ou sur le CD du produit vidéo réseau Axis fourni avec l'appareil.

Conseil :

Visitez le site www.axis.com/techsup pour vérifier si des microprogrammes mis à jour sont disponibles pour votre appareil AXIS 233D. Pour connaître la version du microprogramme actuellement installée, reportez-vous à la page Web Basic Configuration (Configuration de base) dans les outils de configuration du produit.

AXIS 233D

Installationsanleitung

In dieser Anleitung wird die Installation der Netzwerk-Kuppelkamera AXIS 233D in einem Netzwerk beschrieben. Alle weiteren Hinweise zur Verwendung des Produkts finden Sie im Benutzerhandbuch, das auf der mitgelieferten CD oder auf unserer Webseite unter www.axis.com/techsup zur Verfügung steht.

Installationsschritte

1. Prüfen Sie, ob alle in der nachfolgenden Liste aufgeführten Komponenten vorhanden sind.
2. Hardware installieren (siehe Seite 42).
3. IP-Adresse festlegen (siehe Seite 49).
4. Kennwort festlegen (siehe Seite 52).

Wichtiger Hinweis!
Verwenden Sie dieses Produkt nur gemäß der geltenden rechtlichen Bestimmungen.

1 Lieferumfang

Komponente	Modelle/Varianten/Anmerkungen
Netzwerk-Kuppelkamera	AXIS 233D
Netzteil für Innenräume mit Netzkabel	Europa Großbritannien Australien USA/Japan Korea
Anschlussleisten	3 (8-polige) Anschlussblöcke zum Verbinden externer Geräte mit dem E/A-Anschluss Anschlüsse
Montagesatz	Deckenhalterung für Massivdecken in Innenräumen Unterhangdeckenhalterung für Innenräume
CD	CD für AXIS-Netzwerkvideoprodukte einschließlich Produktdokumentation, Installationstools und anderer Software
Gedruckte Dokumente	AXIS 233D Installationshandbuch (dieses Dokument) Axis-Garantieerklärung

DEUTSCH

Vorbereitungen:

Wenn die AXIS 233D an einer schwer zugänglichen Stelle montiert werden soll, empfiehlt es sich, vor der Montage der Kamera zunächst die IP-Adresse festzulegen und die Kamera in Betrieb zu nehmen.

Abmessungen:

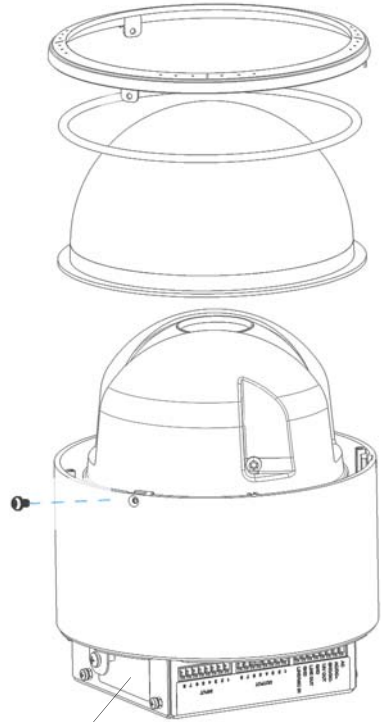
H × B × T = 209 × 170 × 170 mm

Gewicht = 2,5 kg ohne Netzteil

2 Hardware installiere

Kuppel an der Kamera anbringen

1. Bringen Sie die Kuppel an der Unterseite der Kamera an.
2. Legen Sie den O-Ring und den schwarzen Ring mit den Koordinaten über die Kuppel. Drehen Sie den Ring, bis er in die Schlitzte einrastet.
3. Der Ring wird je nach verwendeter Deckenhalterung mit unterschiedlichen Schrauben befestigt (siehe Abbildung rechts).
(Schrauben nicht ganz festziehen)
 - Montage an Massivdecken:
3 Kreuzschlitzschrauben
 - Montage an Unterhangdecken:
3 M3x10-Schrauben
4. Ziehen Sie die Schrauben fest, so dass Ring und Kuppel sicher befestigt sind. Beachten Sie die Anweisungen für die gewählte Deckenbefestigung.



Hinweis:

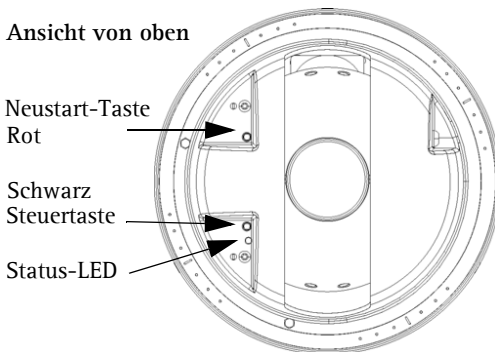
Benutzen Sie die Kamerakuppel nicht wenn die Kamera in einem Außengehäuse montiert wird, da zwei Kuppeln die Bildqualität reduzieren und Unschärfen erzeugen.

Hinweis:

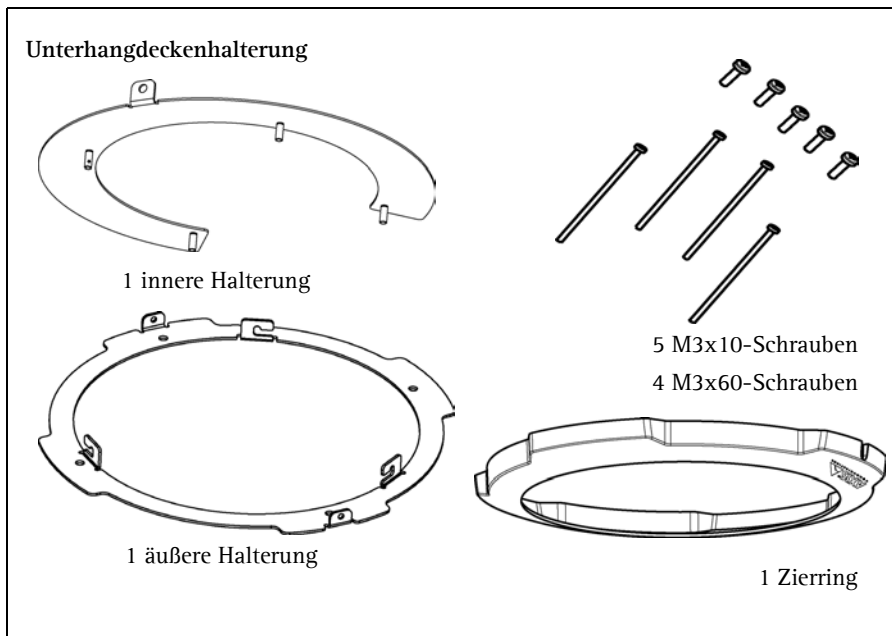
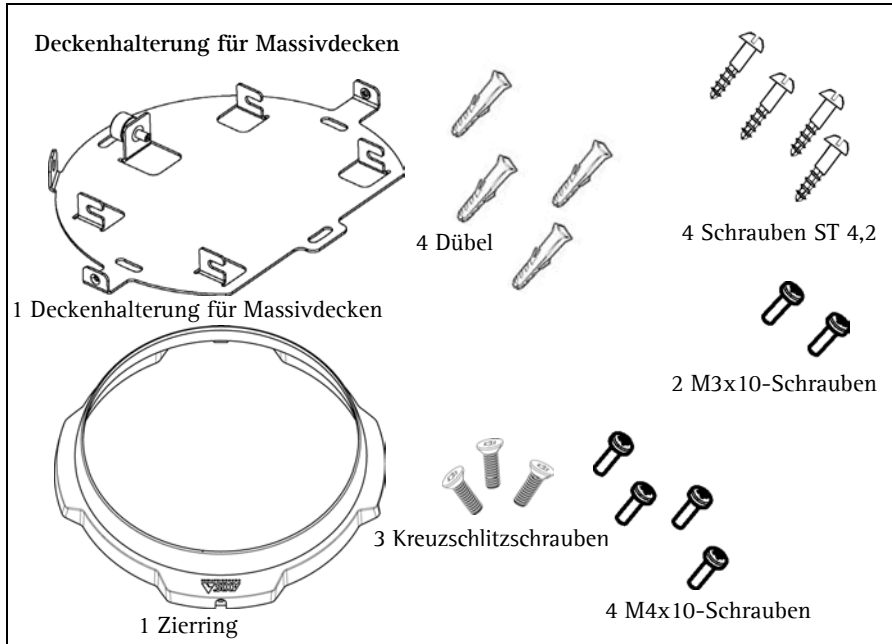
Die Seriennummer der Kamera (S/N) befindet sich auf diesem Aufkleber. Diese Nummer benötigen Sie zum Festlegen der IP-Adresse der Kamera.

Im Lieferumfang ist ein weiterer Aufkleber enthalten. Bewahren Sie ihn für eine eventuelle zukünftige Verwendung an einem sicheren Ort auf.

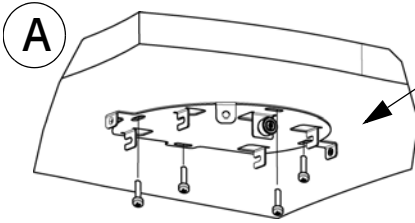
Ansicht von oben



Lieferumfang Deckenhalterungen



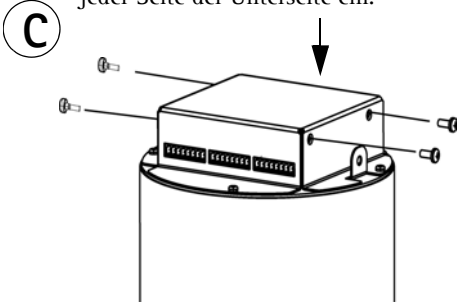
Deckenhalterung für Massivdecken



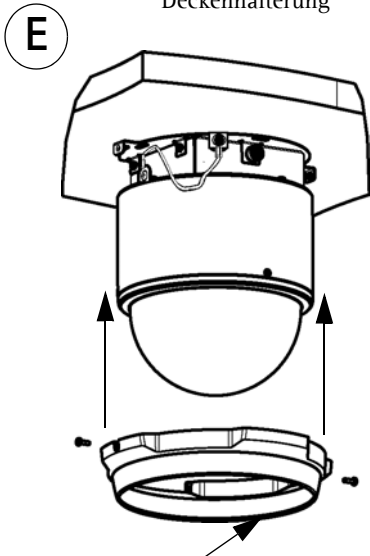
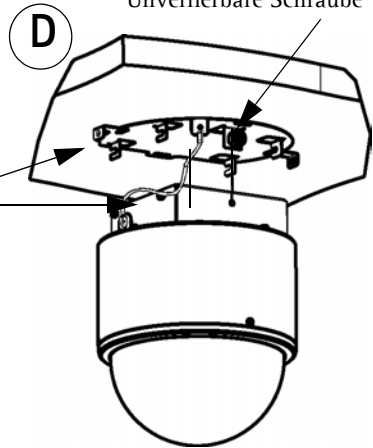
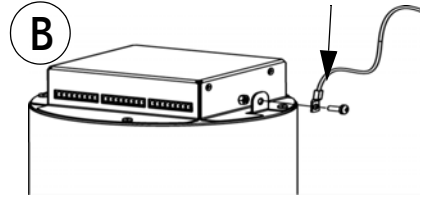
Befestigen Sie die Halterung mit 4 Schrauben ST 4,2 und Dübeln an der Decke.

Befestigen Sie das Sicherungskabel an der Halterung und Kuppelunterseite. Verwenden Sie dazu eine M4-Schraube und-Mutter.

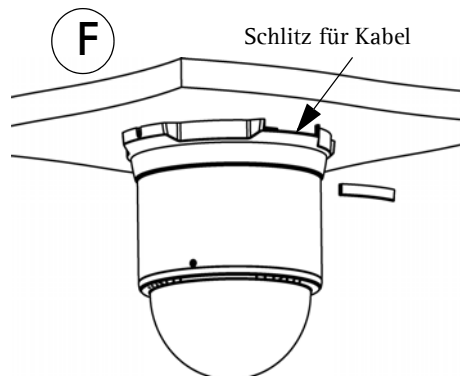
Führen Sie 2 M4-Schrauben auf jeder Seite der Unterseite ein.



Befestigen Sie die Netzwerkkamera an der Deckenhalterung



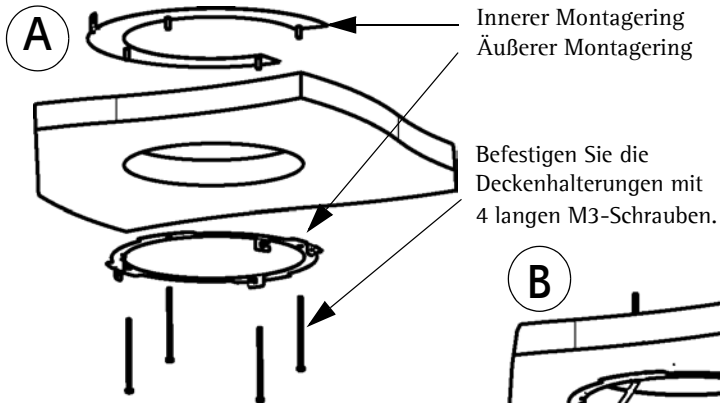
Bringen Sie den Zierring an.



Gehen Sie bei der Montage der Kuppelkamera folgendermaßen vor, und beachten Sie dazu die Abbildung für die Massivdeckenbefestigung:

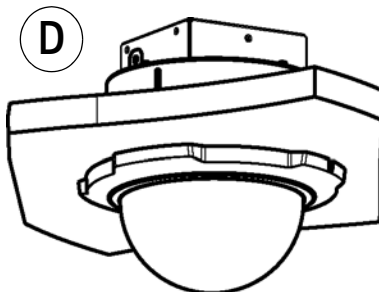
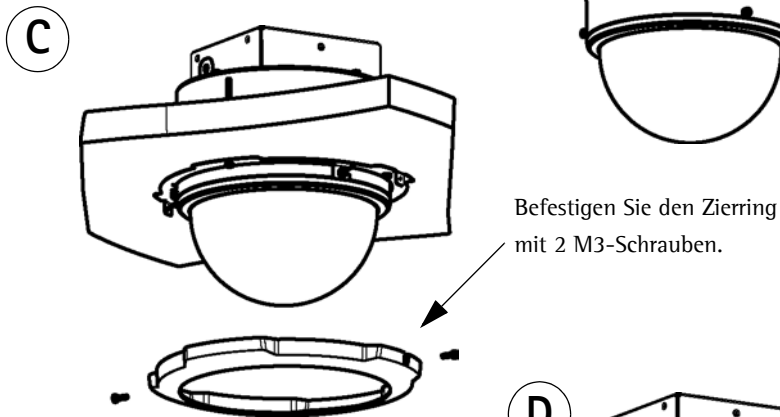
1. Befestigen Sie die Halterung mit vier Schrauben ST 4,2 und Dübeln an der Decke. (Abbildung A)
2. Befestigen Sie ein Ende des Sicherungskabels an der Halterung und das andere Ende an der AXIS 233D. Verwenden Sie dazu eine M4-Schraube und -Mutter. (Abbildung B)
3. Führen Sie vier M4-Schrauben (2 Schrauben auf jeder Seite) zur Hälfte in die Unterseite der Kamera ein. (Abbildung C)
4. Setzen Sie die AXIS 233D in die Halterung ein, und ziehen Sie die unverlierbare Schraube fest. So haben Sie die Hände frei, um die vier Schrauben in den Aussparungen (zwei auf jeder Seite) an der AXIS 233D festzuziehen (Abbildung D).
5. Schließen Sie das Netzkabel an.
6. Schließen Sie das Netzkabel an der Anschlussleiste an (siehe *Stromanschlüsse*, auf Seite 48).
7. Bringen Sie den Zierring an der AXIS 233D an, und befestigen Sie ihn mit zwei M3-Schrauben an der Halterung. Achten Sie darauf, dass die Seite mit dem offenen Schlitz über der Anschlussleiste für die Kabel liegt (Abbildung E).
8. Die Montage der Kamera an der Decke ist damit abgeschlossen. Fahren Sie nun mit dem Abschnitt *IP-Adresse zuweisen*, auf Seite 49 fort, um die AXIS 233D in Ihrem Netzwerk zu installieren.

Montage der Unterhangdeckenhalterung



B

Befestigen Sie das Sicherungskabel mit einer M4-Schraube und -Mutter.



Gehen Sie bei der Montage der Kuppelkamera folgendermaßen vor, und beachten Sie dazu die Abbildung für die Unterhangdeckenbefestigung:

1. Bestimmen Sie die Position an der Decke, wo eine Öffnung mit 190 mm Durchmesser entstehen soll. Eine mitgelieferte Vorlage erleichtert Ihnen das Markieren der Öffnung.
2. Schneiden Sie entsprechend der Ringmarkierung eine Öffnung in die Decke.
3. Führen Sie den inneren Montagering in die Decke ein, so dass die Schraubenführungen nach unten zeigen (Abbildung A).
4. Befestigen Sie den inneren Montagering mit vier langen M3-Schrauben am äußeren Montagering.
5. Befestigen Sie das Sicherungskabel mit einer M4-Schraube und -Mutter an einem stabilen Teil der Decke und an der Unterseite der Kamera (Abbildung B).
6. Verbinden Sie das Ethernetkabel und das Netzkabel durch die Öffnung in der Decke mit der Anschlussleiste (siehe: *Stromanschlüsse*, auf Seite 48).
7. Drücken Sie die Kuppelhaube in die Halterung, wobei die Schraubenlöcher in der Kuppelhaube (siehe Schritt 3, auf Seite 42) auf die Schraubenschlitze in der Halterung ausgerichtet sein müssen. Ziehen Sie die Schrauben zur Befestigung der Kamera an der Halterung fest.
8. Bringen Sie den Zierring über der Kuppel an, so dass die Schraubenlöcher auf die Schraubenschlitze in der Halterung ausgerichtet sind. Befestigen Sie den Zierring mit 2 M3-Schrauben (Abbildung C).
9. Die Montage der Kamera an der Decke ist damit abgeschlossen. Fahren Sie nun mit dem Abschnitt *IP-Adresse zuweisen*, auf Seite 49 fort, um die AXIS 233D in Ihrem Netzwerk zu installieren.

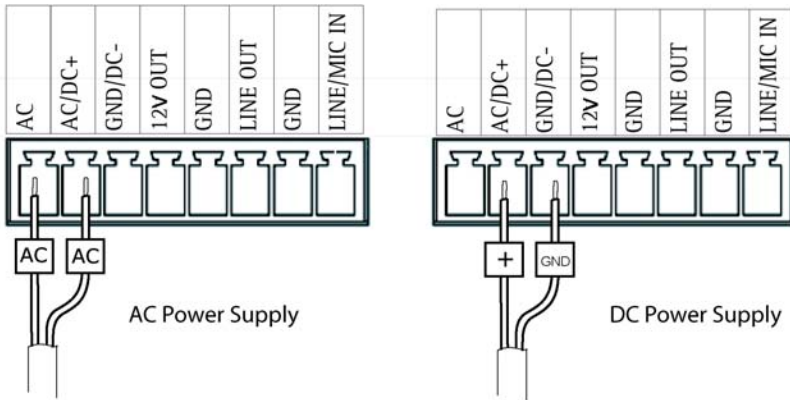
Stromanschlüsse

Für die Stromversorgung der Kamera gibt es folgende Möglichkeiten:

- Schließen Sie das mitgelieferte Netzteil für Innenräume an die Stromanschlussleiste an, und befestigen Sie es am Kameragehäuse. Beachten Sie, dass dieses Netzteil nur für die Stromversorgung der Kamera vorgesehen ist.
- Schließen Sie ein Netzteil für den Außenbereich an die Stromanschlussleiste an, und befestigen Sie es am Kameragehäuse. Nähere Informationen zu verfügbaren Netzteilen für die Außenmontage finden Sie auf unserer Webseite auf den Support-Seiten unter <http://www.axis.com/techsup/>.

Die Stromanschlussleiste ist für Gleich- und Wechselstromversorgung geeignet.

Anschlussbelegung der Stromanschlussleiste





WICHTIG! - Wenn ein DC Netzteil verwendet wird (diesem Produkt beiliegend) ist es sehr wichtig dieses korrekt mit dem Stromstecker zu verbinden. Bitte stellen Sie sicher, dass das Kabel das mit "+" beschriftet ist mit Pin 2 verbunden und das andere Kabel über Pin 3 geerdet ist. Mit einem AC Netzteil können die zwei Adern beliebig mit Pin 1 und 2 verbunden werden.

3 IP-Adresse zuweisen

In den meisten Netzwerken ist heutzutage ein DHCP-Server eingebunden, der angeschlossenen Geräten automatisch IP-Adressen zuweist. Wenn Ihr Netzwerk über keinen DHCP-Server verfügt, wird für die AXIS 233D die Standard-IP-Adresse 192.168.0.90 verwendet.

Zum Zuweisen einer statischen IP-Adresse stehen unter Windows die Programme **AXIS IP Utility** und **AXIS Camera Management** zur Verfügung. Verwenden Sie die Methode, die für die gewünschte Anzahl der zu installierenden Kameras geeignet ist.

Beide Anwendungen stehen kostenlos auf der mitgelieferten CD für Axis-Netzwerkvideoprodukte zur Verfügung oder können unter www.axis.com/techsup heruntergeladen werden.

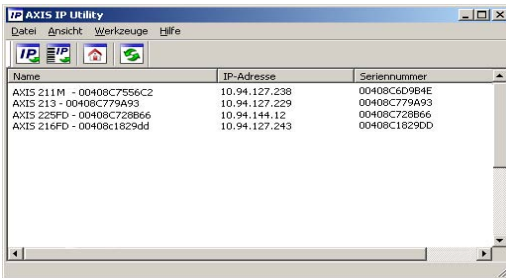
Methode	Empfohlen für	Betriebssystem
 AXIS IP Utility Siehe Seite 50	Einzelne Kamera Kleine Installationen	Windows
 AXIS Camera Management Siehe Seite 51	Mehrere Kameras Große Installationen Installation in einem anderen Sub-netz	Windows 2000 Windows XP Pro Windows 2003 Server

Hinweise:

- Falls Sie die IP-Adresse nicht zuweisen können, müssen ggf. die Einstellungen der Firewall überprüft werden.
- Weitere Informationen zu alternativen Methoden zum Festlegen der IP-Adresse der AXIS 233D (z. B. in anderen Betriebssystemen) finden Sie auf Seite 54.

AXIS IP Utility - Einzelne Kamera/kleine Installation

AXIS IP Utility erkennt automatisch im Netzwerk vorhandene Axis-Geräte und zeigt diese an. Die Anwendung kann außerdem zur manuellen Zuweisung einer statischen IP-Adresse verwendet werden.




Beachten Sie, dass sich die AXIS 233D und der Computer, auf dem AXIS IP Utility ausgeführt wird, im gleichen Netzwerksegment (d. h. physischen Subnetz) befinden müssen.

Automatische Erkennung

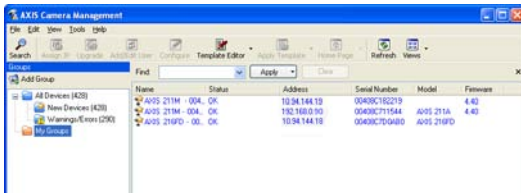
1. Stellen Sie sicher, dass die AXIS 233D an das Netzwerk und die Stromversorgung angeschlossen ist.
2. Starten Sie AXIS IP Utility.
3. Doppelklicken Sie auf das Symbol der Kamera, um die entsprechende Startseite zu öffnen.
4. Anweisungen zum Festlegen des Kennworts finden Sie auf Seite 52.

Manuelle Zuweisung der IP-Adresse (optional)

1. Wählen Sie eine nicht zugewiesene IP-Adresse im selben Netzwerksegment, in dem sich Ihr Computer befindet.
2. Wählen Sie die AXIS 233D aus der Liste.
3. Klicken Sie auf die Schaltfläche  Zuweisung einer neuen IP-Adresse an das ausgewählte Gerät und geben Sie die IP Adresse an.
4. Klicken Sie auf die Schaltfläche Zuweisen, und folgen Sie den Anweisungen.
5. Klicken Sie auf die Schaltfläche Home Page (Startseite), um auf die Webseiten der Kamera zuzugreifen.
6. Anweisungen zum Festlegen des Kennworts finden Sie auf Seite 52.

AXIS Camera Management - Mehrere Kameras/große Installation


Mit AXIS Camera Management können automatisch mehrere Axis-Geräte erkannt, der Verbindungsstatus angezeigt, die Firmware-Aktualisierungen verwaltet und IP-Adressen festgelegt werden.

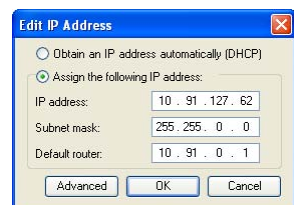


Automatische Erkennung

1. Stellen Sie sicher, dass die Kamera an das Netzwerk und die Stromversorgung angeschlossen ist.
2. Starten Sie AXIS Camera Management. Doppelklicken Sie auf das Symbol der AXIS 233D, um die Startseite der Kamera zu öffnen.
3. Anweisungen zum Festlegen des Kennworts finden Sie auf Seite 52.

Eine IP-Adresse einem einzelnen Gerät zuweisen


1. Wählen Sie die AXIS 233D im AXIS Camera Management, und klicken Sie auf die Schaltfläche  Assign IP (IP-Adresse zuweisen)
2. Wählen Sie die Option Assign the following IP address (Folgende IP-Adresse zuweisen) und geben Sie die IP-Adresse, die Subnetzmaske und den Standardrouter für das Gerät ein.
3. Klicken Sie auf OK.

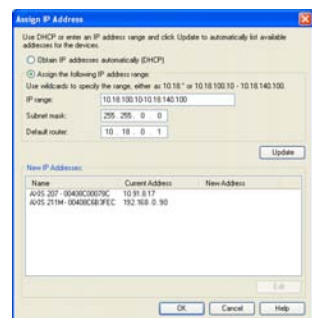


DEUTSCH

IP-Adressen mehreren Geräten zuweisen

AXIS Camera Management beschleunigt die Zuweisung von IP-Adressen an mehrere Geräte, indem IP-Adressen aus einem angegebenen Bereich vorgeschlagen werden.

1. Wählen Sie die zu konfigurierenden Geräte aus (es können auch unterschiedliche Modelle gewählt werden), und klicken Sie auf die Schaltfläche  Assign IP (IP-Adresse zuweisen).
2. Wählen Sie die Option Assign the following IP address range (Folgenden IP-Adressbereich zuweisen) und geben Sie den IP-Adressbereich, die Subnetzmaske und den Standardrouter für das Geräte ein.
3. Klicken Sie auf OK.



4 Kennwort festlegen

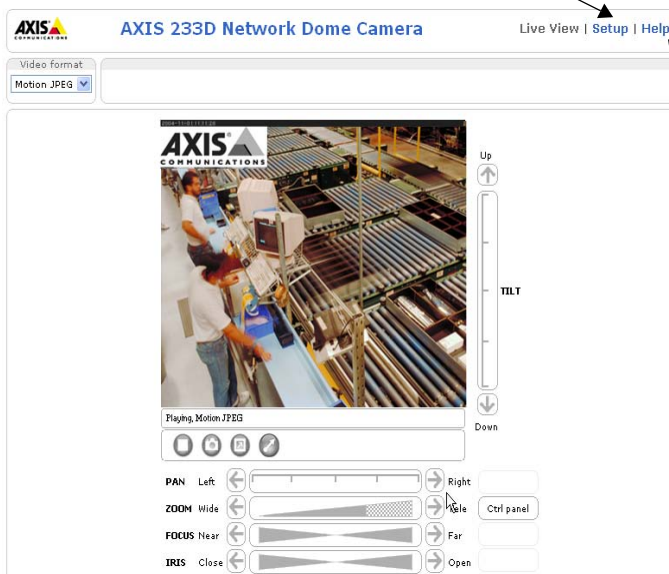
Beim erstmaligen Zugriff auf die AXIS 233D wird das Dialogfeld „Configure Root Password (Root-Kennwort konfigurieren)“ angezeigt.



1. Geben Sie ein Kennwort ein, und wiederholen Sie die Eingabe, um die korrekte Schreibweise zu bestätigen. Klicken Sie auf OK.
2. Geben Sie in das Dialogfeld „Connect to...“ als Kennwort „root“ ein.
Hinweis: Der standardmäßige Administrator-Benutzername „root“ kann nicht gelöscht werden.
3. Geben Sie das in Schritt 1 festgelegte Kennwort ein, und klicken Sie auf OK. Wenn Sie das Kennwort vergessen haben, muss die AXIS 233D auf die Werkseinstellungen zurückgesetzt werden. (Siehe Seite 53)
4. Klicken Sie auf Ja, um AMC (AXIS Media Control) zu installieren. Nach Abschluss der Installation können Sie Video-Streams in Microsoft Internet Explorer anzeigen. Hierzu müssen Sie über Administratorrechte für den Computer verfügen.

Die Seite „Live-View (Live-Ansicht)“ der AXIS 233D wird angezeigt. Sie enthält Links zu Setup-Tools, mit denen Sie die Kamera Ihren Bedürfnissen entsprechend anpassen können.

Setup: Alle zur benutzerspezifischen Konfiguration der Kamera notwendigen Werkzeuge.



Hilfe: Zum Aufrufen der Online-Hilfe für die Kamera.

Über das Internet auf die AXIS 233D zugreifen

Sobald die AXIS 233D installiert ist, können Sie über Ihr lokales Netzwerk (LAN) auf die Kamera zugreifen. Um auch über das Internet auf die Kamera zugreifen zu können, müssen Sie die Netzwerk-Router so konfigurieren, dass diese den entsprechenden eingehenden Datenverkehr zulassen, was üblicherweise durch Zuweisung eines bestimmten Ports geschieht. Ausführliche Informationen zu diesem Thema finden Sie in der Dokumentation des Routers.

Weitere Informationen zu diesem und zu anderen Themen erhalten Sie auf der Axis Support-Webbseite unter www.axis.com/techsup

Andere Methoden zum Festlegen der IP-Adresse

Diese Tabelle bietet einen Überblick über weitere Methoden, die IP-Adresse festzulegen bzw. zu ermitteln. Alle Methoden sind standardmäßig aktiviert und können deaktiviert werden.

	Verwendung im Betriebssystem	Hinweise
UPnP™	Windows (ME oder XP)	Wenn die Funktion auf dem Computer aktiviert ist, wird die Kamera automatisch erkannt und zur „Netzwerkumgebung“ hinzugefügt.
Bonjour	MAC OSX (ab Vers. 10.4)	Kann nur bei Browsern verwendet werden, die Bonjour unterstützen. Navigieren Sie zum Bonjour-Lesezeichen Ihres Browsers (z. B. Safari), und klicken Sie auf den Link, um auf die Webseiten der Kamera zu gelangen.
AXIS Dynamic DNS Service	Alle	Ein kostenloser Service von Axis, mit dem Sie Ihre Kamera schnell und einfach installieren können. Eine Internetverbindung ohne HTTP-Proxyserver ist Voraussetzung. Weitere Informationen hierzu finden Sie auf www.axiscam.net
ARP/Ping	Alle	Siehe unten. Der Befehl muss innerhalb von 2 Minuten erfolgen, nachdem die Kamera an das Stromnetz angeschlossen wurde.
Admin-Seiten des DHCP-Servers anzeigen	Alle	Hinweise zum Anzeigen der Administrationsseiten des DHCP-Servers im Netzwerk finden Sie in der Serverdokumentation.

IP-Adresse per ARP/Ping zuweisen

1. Wählen Sie eine nicht belegte IP-Adresse aus dem Netzwerksegment, in dem sich auch Ihr Computer befindet.
2. Sehen Sie nach der Seriennummer (S/N) auf dem Produktaufkleber der AXIS 233D.
3. Öffnen Sie auf Ihrem Computer die Eingabeaufforderung, und geben Sie die folgenden Befehle ein:

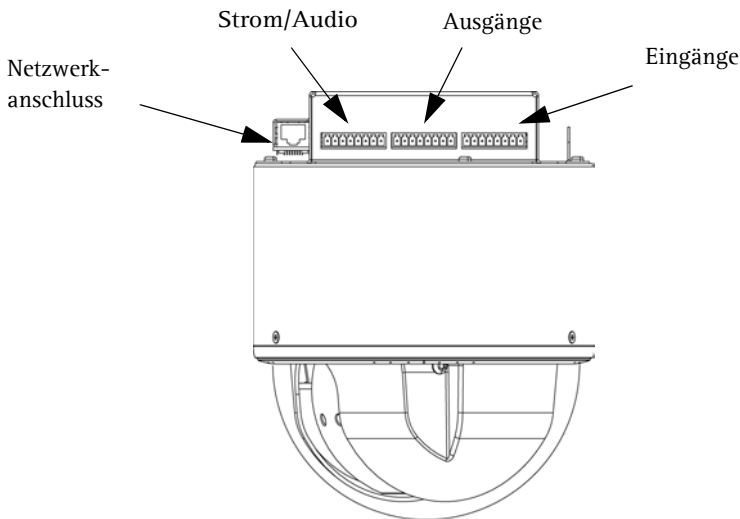
Syntax unter Windows:	Beispiel für Windows
<pre>arp -s <IP-Adresse> <Seriennummer> ping -l 408 -t <IP-Adresse></pre>	<pre>arp -s 192.168.0.125 00-40-8c-18-10-00 ping -l 408 -t 192.168.0.125</pre>
Syntax unter UNIX/Linux/Mac	Beispiel für UNIX/Linux/Mac
<pre>arp -s <IP-Adresse> <Seriennummer> temp ping -s 408 <IP-Adresse></pre>	<pre>arp -s 192.168.0.125 00:40:8c:18:10:00 temp ping -s 408 192.168.0.125</pre>

4. Stellen Sie sicher, dass das Netzwerkkabel mit der Kamera verbunden ist, und starten Sie die Kamera bzw. starten Sie diese neu, indem Sie die Stromversorgung unterbrechen und wiederherstellen.
5. Schließen Sie die Befehlszeile, sobald „Reply from 192.168.0.125: ...“ oder eine ähnliche Meldung erscheint.
6. Starten Sie einen Browser, geben Sie im Adressfeld „http://<IP-Adresse>“ ein, und drücken Sie die Eingabetaste auf der Tastatur.

Hinweise:

- So öffnen Sie unter Windows die Eingabeaufforderung: Wählen Sie im Startmenü die Option „Ausführen ...“, und geben Sie „cmd“ ein. Klicken Sie auf OK.
- Verwenden Sie zum Eingeben des Befehls „ARP“ unter Mac OS X das Dienstprogramm „Terminal“, das Sie unter „Anwendung > Dienstprogramme“ finden.

Kameraanschlüsse



Netzwerkanschluss - RJ-45-Ethernetanschluss. Die Verwendung von geschirmten Kabeln wird empfohlen. Seien Sie bitte vorsichtig beim Einsetzen und beim Entfernen des Netzwerkkabels.

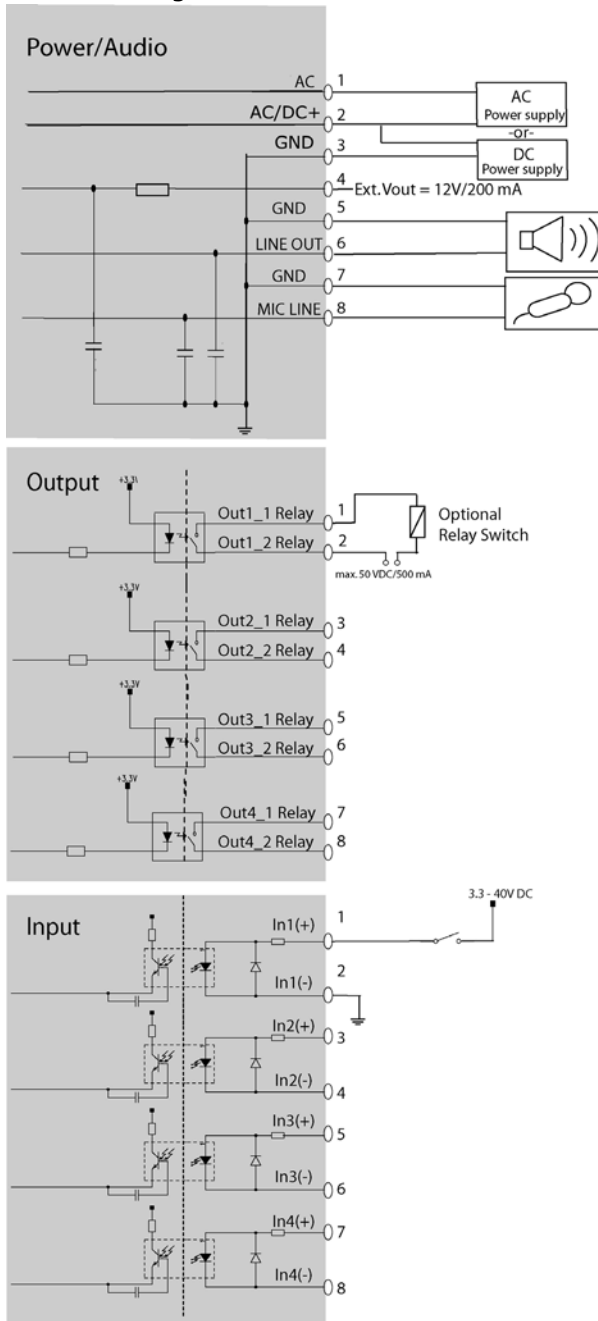
E/A-Anschluss - Wird z. B. verwendet für Bewegungserkennung, Ereignis-triggerung, Zeitrafferaufnahmen, Alarm-Benachrichtigungen usw. und bildet die Schnittstelle für:

- Strom, Zusatzstromversorgung, Masse und Audio.
- 4 Halbleiterrelaisausgänge – Diese sind für eine Maximallast von 50 VDC oder 35VAC bei 500 mA geeignet. Größere Lasten sind durch Anschluss zusätzlicher Relais-schaltungen möglich. Zum Schutz vor Spannungsspitzen muss bei Kombination des Ausgangs mit einem externen Relais eine Diode parallel zur Last geschaltet werden. Für die Anschlüsse wird ein Optokoppler verwendet. Sie sind gegen andere interne Schaltungen elektrisch isoliert.
- 4 Signaleingänge – Werden für den Anschluss externer Alarmgeräte und die Triggerung von Bildern für bestimmte Alarmereignisse verwendet. Der Eingang ist normalerweise mit einem Bewegungsmelder oder einem anderen externen Sicherheitsgerät verbunden. Bilder können jederzeit bei aktiviertem Melder hochgeladen werden. Die zulässige Eingangsspannung beträgt 3,3–40 V GS. Für die Anschlüsse wird ein Optokoppler verwendet. Sie sind gegen andere interne Schaltungen elektrisch isoliert.

Drei 8-polige E/A-Anschlussleisten

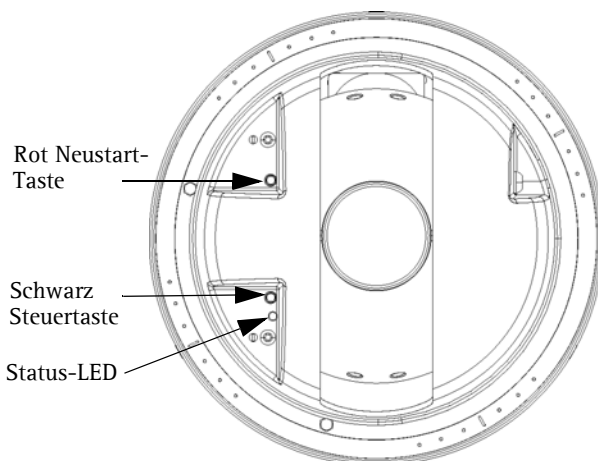
Kontakt	Funktion	Beschreibung
Strom/Audio		
1	Betrieb AC	18-30 V WS max. 25 VA Leistungsaufnahme.
2	Betrieb AC/DC+	18-30 V WS max. 25 VA Leistungsaufnahme -oder- 22-40 V GS max. 20 W Leistungsaufnahme.
3	GND (Masse)	Masseanschluss
4	Spannungsausgang (Vout)	12 V/200 mA Zur Stromversorgung von Zusatzgeräten, max. 200 mA.
5	GND (Masse)	Masseanschluss
6	Line OUT	Mono-Audioausgang (Line-Pegel) für den Anschluss eines Aktivlautsprechers mit integriertem Verstärker.
7	Masse	Masseanschluss
8	Mic/Line-IN	Eingang für ein Mono-Mikrofon oder Line-Pegel-Monosignal.
Ausgang		
1	Out1_1_Relais	An den Ausgängen für externe Geräte (z. B. Out1_1 und Out1_2) wird nicht zwischen Plus und Minus unterschieden. Für die Anschlüsse wird ein Optokoppler verwendet. Sie sind gegen andere interne Schaltungen elektrisch isoliert. Die maximale Stromstärke darf 500 mA nicht überschreiten, und die Maximalspannung darf nicht mehr als 50 VDC oder 35VAC betragen.
2	Out1_2_Relais	
3	Out2_1_Relais	
4	Out2_2_Relais	
5	Out3_1_Relais	
6	Out3_2_Relais	
7	Out4_1_Relais	
8	Out4_2_Relais	
Eingang		
1	In1_Anode(+)	Diese Eingänge sind von Gehäuse und Anschlüssen elektrisch isoliert und können über eine externe Gleichspannungsquelle oder Kontakt 4 (Spannungsausgang) des Strom-/Audio-Anschlusses und der Masse mit Strom versorgt werden. (3,3-40 V GS an den Eingängen zulässig) Für die Anschlüsse wird ein Optokoppler verwendet. Sie sind gegen andere interne Schaltungen elektrisch isoliert. Hinweis: Beim Anschließen muss zwischen Anode und Kathode unterschieden werden!
2	In1_Kathode(-)	
3	In2_Anode(+)	
4	In2_Kathode(-)	
5	In3_Anode(+)	
6	In3_Kathode(-)	
7	In4_Anode(+)	
8	In4_Kathode(-)	

Schematische Darstellung – AXIS 233D E/A-Anschlüsse und versorgung



LED-Anzeige und Tasten

Ansicht von oben



Status-LED

Farbe	Beschreibung
Leuchtet nicht	Konstante Verbindung/normaler Betrieb
Gelb	Leuchtet durchgehend bei Systemstart. Blinkt bei Firmware-Aktualisierung oder beim Zurücksetzen auf die Werkseinstellungen.
Gelb/rot	Blinkt gelb/rot, wenn keine Netzwerkverbindung besteht.
Rot	Blinkt rot bei fehlerhafter Firmware-Aktualisierung.
Grün	Leuchtet 10 Sek. lang durchgehend grün bei normalem Betrieb nach Neustart

Zurücksetzen auf werkseitige Voreinstellungen

Gehen Sie folgendermaßen vor, um sämtliche Parameter einschließlich der IP-Adresse auf die werkseitigen Standardeinstellungen zurückzusetzen:

1. Nehmen Sie die Kuppel von der Kamera ab.
2. Halten Sie die rote und schwarze Taste gleichzeitig gedrückt. Lassen Sie die rote Neustarttaste los, und halten Sie die schwarze Steuertaste weiterhin gedrückt.
3. Halten Sie die schwarze Steuertaste gedrückt, bis die Statusanzeige gelb blinkt (dies kann bis zu 15 Sekunden dauern).
4. Lassen Sie die schwarze Steuertaste los.
5. Wenn die Statusanzeige grün leuchtet (dies kann bis zu einer Minute dauern), ist der Vorgang abgeschlossen, und die Kamera wurde auf die werkseitigen Standardeinstellungen zurückgesetzt.
6. Weisen Sie die IP-Adresse in der AXIS 233D erneut zu, indem Sie eines der in diesem Dokument beschriebenen Verfahren verwenden.

Weitere Informationen

Das Benutzerhandbuch ist auf der Axis-Website unter www.axis.com erhältlich und befindet sich auch auf der mitgelieferten CD für Axis-Netzwerkvideoprodukte.

Tipp!

Unter www.axis.com/techsup finden Sie Firmware-Aktualisierungen für Ihre AXIS 233D. Gehen Sie unter „Setup-Tools“ auf die Seite „Standardkonfiguration“, um die aktuelle Firmware-Version anzuzeigen.

AXIS 233D

Guida all'installazione

Nel presente documento vengono fornite le istruzioni per installare la videocamera di rete a cupola AXIS 233D nella propria rete. Per tutti gli altri aspetti sull'utilizzo del prodotto, vedere il Manuale dell'utente, disponibile sul CD incluso nella confezione oppure all'indirizzo www.axis.com/techsup

Procedura di installazione

1. Controllare il contenuto della confezione utilizzando l'elenco fornito di seguito.
2. Installare l'hardware. Vedere pagina 62.
3. Impostare un indirizzo IP. Vedere pagina 69.
4. Impostare la password. Vedere pagina 72.

Importante

Il prodotto deve essere utilizzato in conformità alle leggi e alle disposizioni locali.

1 Contenuto della confezione

Articolo	Modello/varianti/note
Videocamera di rete a cupola	AXIS 233D
Alimentatore per uso interno con cavo di alimentazione	Europa Regno Unito Australia Stati Uniti/Giappone Corea
Connettori della morsettiera	3 morsettiera a 8 pin per il collegamento di periferiche esterne alla morsettiera di alimentazione I/O
Kit di montaggio	Montaggio a soffitto per uso interno Montaggio a controsoffitto per uso interno
CD	CD del prodotto, inclusi gli strumenti di installazione e altro software nonché la documentazione del prodotto
Materiale stampato	Guida all'installazione di AXIS 233D (questo documento) Certificato di garanzia Axis

Operazioni preliminari

Se il dispositivo AXIS 233D viene montato in una posizione di difficile accesso, si consiglia di impostare l'indirizzo IP e di avviare la videocamera prima di completare l'installazione hardware.

Dimensioni

AxLxP = 209 x 170 x 170 mm (8,23" x 6,69" x 6,69")

Peso = 2,5 Kg (5,5 libbre) senza alimentatore

2 Installare l'hardware

Per posizionare la cupola sulla videocamera

1. Posizionare la cupola sulla base della videocamera.
2. Posizionare la ghiera di colore nero e la guarnizione gommosa con le coordinate sulla cupola. Girare la ghiera fino a che non entra nelle fessure.
3. Per bloccare la ghiera di colore nero si utilizzano viti diverse, a seconda del tipo di montaggio a soffitto installato (vedere la figura a destra). (non stringere completamente le viti)
 - Utilizzo con montaggio a soffitto:
3 viti incassate
 - Utilizzo con montaggio a controsoffitto:
3 viti M3x10
4. Stringere le viti per fissare saldamente la ghiera e la cupola. Seguire le istruzioni relative al tipo di montaggio a soffitto scelto.

Nota:

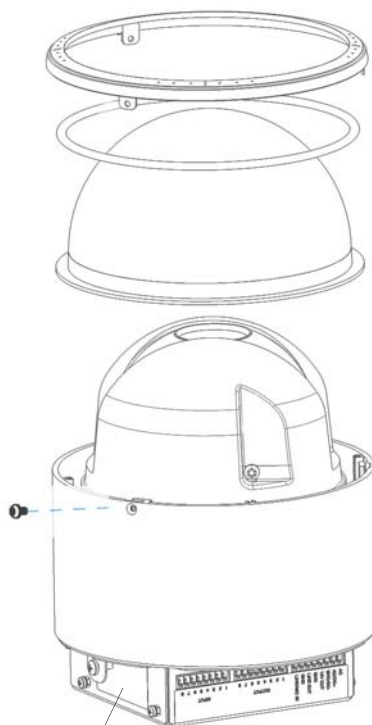
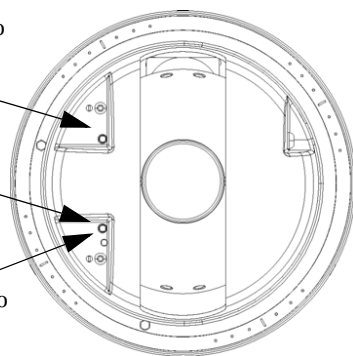
Non usare la cupola della telecamera se la stessa deve essere inserita in una custodia da esterno. La doppia cupola riduce la qualità dell'immagine arrivando a creare un'effetto velato.

Vista dall'alto

Pulsante di riavvio rosso

Pulsante Control nero

LED di stato

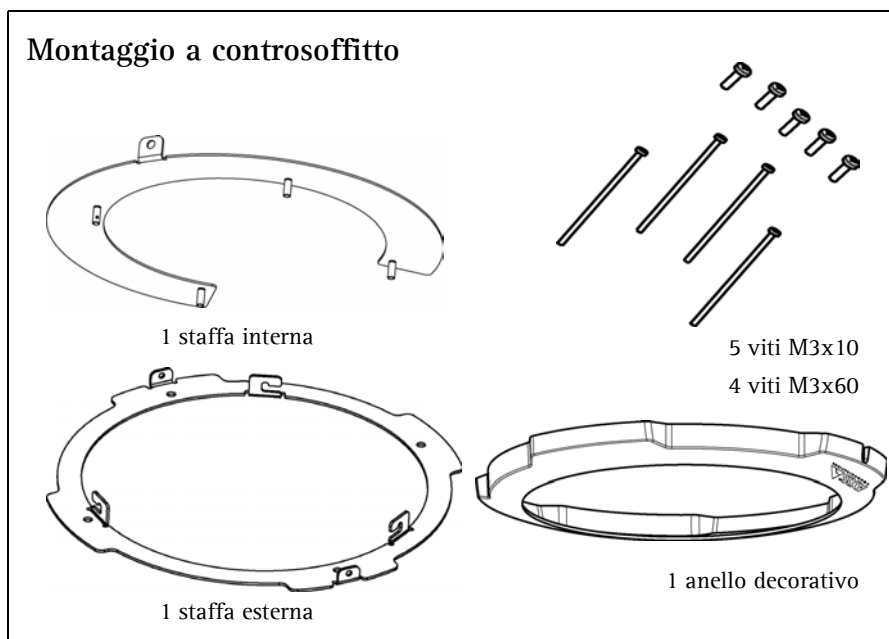
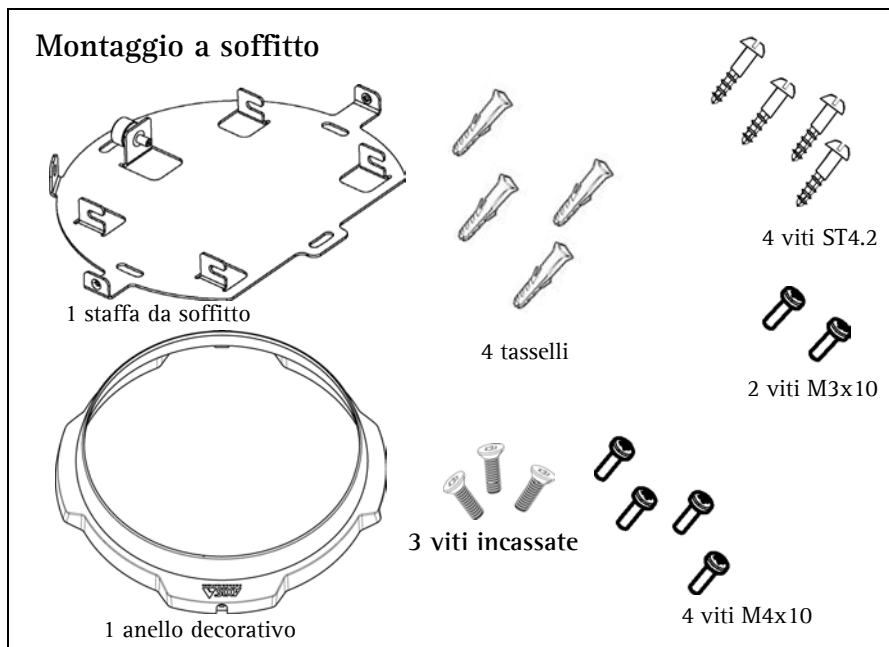


Nota

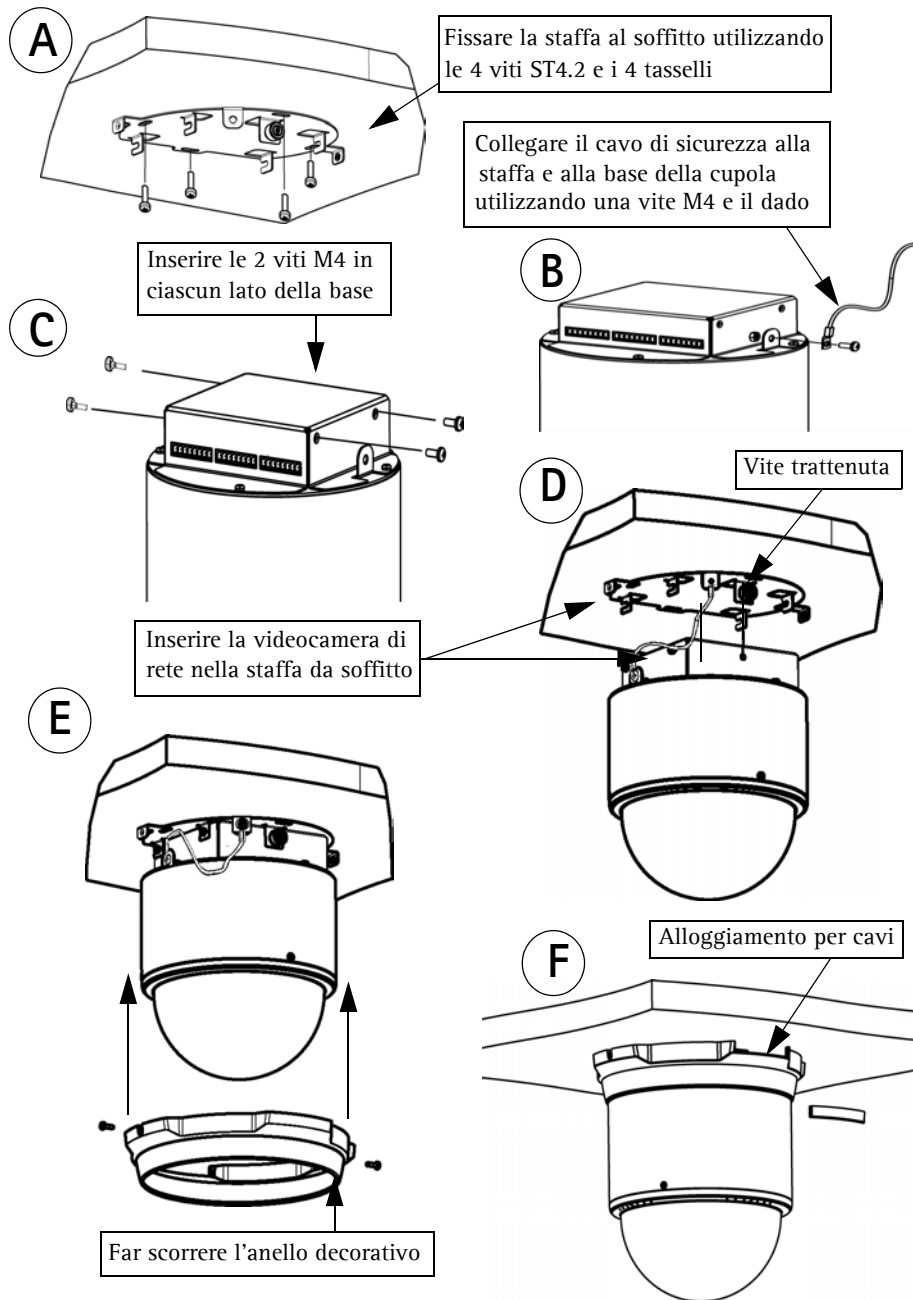
Il numero di serie (S/N) della videocamera si trova su questa etichetta. Questo numero è necessario per impostare l'indirizzo IP della videocamera.

È presente un'altra etichetta sul prodotto da conservare in un luogo sicuro per poterla utilizzare come riferimento futuro.

Contenuto della confezione per il montaggio



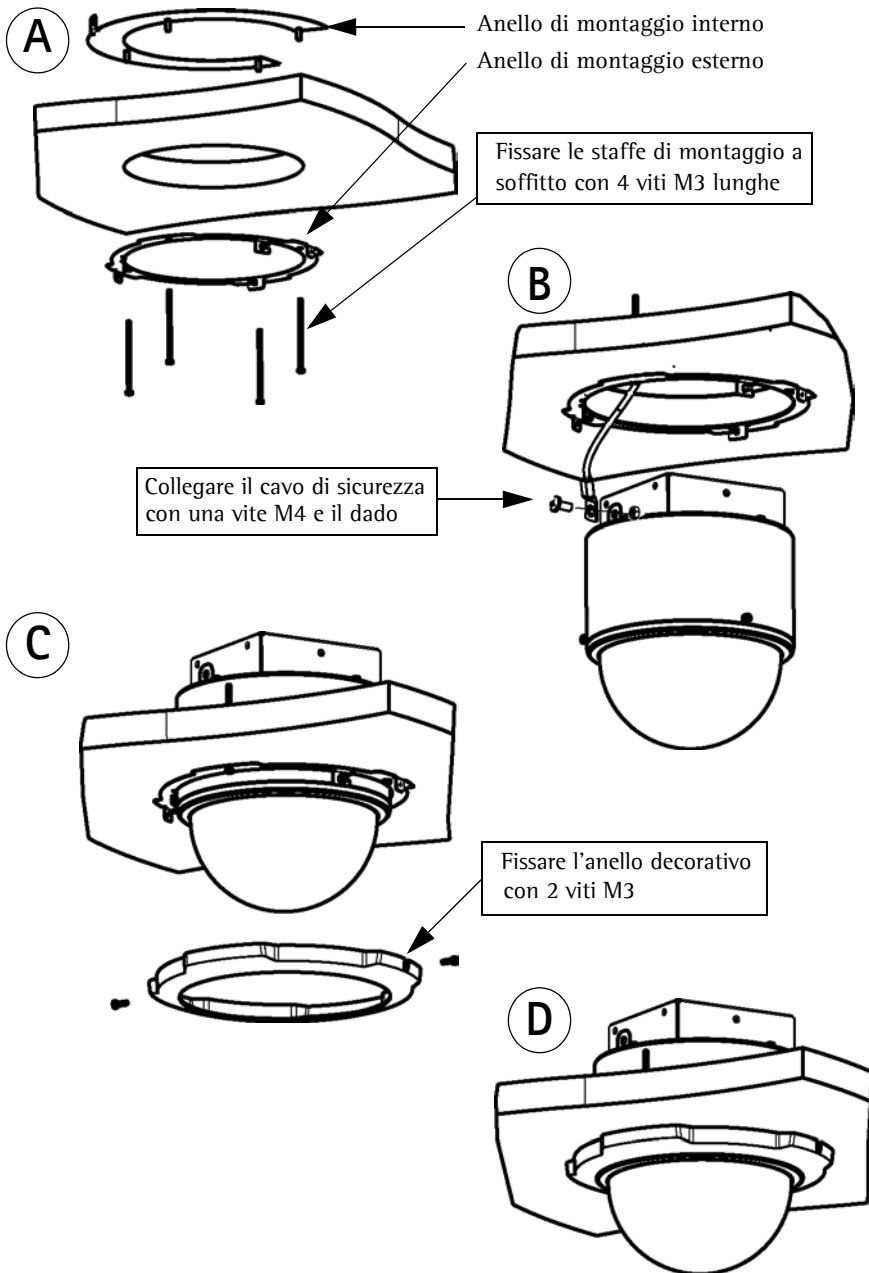
Montaggio a soffitto



Tenendo presente l'immagine del montaggio a soffitto, seguire le istruzioni riportate di seguito per montare la videocamera a cupola.

1. Fissare la staffa al soffitto con le quattro viti ST4.2 e i tasselli (Figura A).
2. Collegare un'estremità del cavo di sicurezza alla staffa e l'altra estremità al dispositivo AXIS 233D mediante una vite M4 e un dado (Figura B).
3. Inserire parzialmente le quattro viti M4 (2 viti su ogni lato) nella base della videocamera (Figura C).
4. Inserire il dispositivo AXIS 233D nella staffa e serrare la vite trattenuta, quindi stringere le quattro viti (due su ogni lato) negli appositi alloggiamenti presenti sulla videocamera (Figura D).
5. Collegare il cavo di rete.
6. Collegare il cavo di alimentazione al connettore (vedere *Alimentazione*, a pagina 68).
7. Far scorrere l'anello decorativo sul dispositivo AXIS 233D e bloccarlo in posizione stringendo le due viti M3 nella staffa. Prestare attenzione a posizionare il lato con l'alloggiamento aperto sulle morsettiere dei cavi (Figura E).
8. L'installazione hardware è completata, passare alla sezione *Impostazione della password*, a pagina 72 per installare il dispositivo AXIS 233D sulla rete.

Montaggio a controsoffitto



Tenendo presente l'immagine del montaggio a controsoffitto, seguire le istruzioni riportate di seguito per montare la videocamera a cupola.

1. Individuare la zona del soffitto dove praticare il foro di 190 mm. È possibile utilizzare il modello di foratura fornito.
2. Praticare il foro nel soffitto seguendo la traccia.
3. Inserire l'anello di montaggio interno nel soffitto con le guide delle viti rivolte verso il basso (Figura A).
4. Con quattro viti M3 lunghe, fissare l'anello interno a quello esterno.
5. Fissare il cavo di sicurezza in un punto resistente del soffitto e alla base della videocamera utilizzando una vite M4 e un dado (Figura B).
6. Collegare il cavo Ethernet e il cavo di alimentazione alla morsettiera, facendoli passare nel foro praticato nel soffitto (vedere *Alimentazione*, a pagina 68).
7. Spingere il corpo della cupola nella staffa installata, prestando attenzione ad allineare i fori per le viti presenti sul corpo (vedere il passaggio 3, a pagina 62) con i relativi alloggiamenti sulla staffa di montaggio. Serrare le viti per bloccare la videocamera nella staffa.
8. Far scivolare l'anello decorativo sulla cupola, allineando i fori per le viti con i relativi alloggiamenti sulla staffa. Utilizzare 2 viti M3 per serrare l'anello decorativo (Figura C).
9. L'installazione hardware è completata, passare alla sezione *Impostazione di un indirizzo IP*, a pagina 69 per installare il dispositivo AXIS 233D sulla rete.

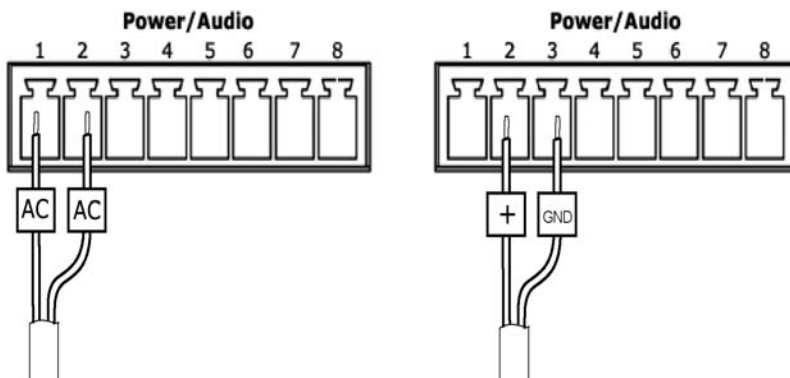
Alimentazione

Per fornire l'alimentazione alla videocamera, utilizzare i seguenti metodi:

- Collegare l'adattatore di alimentazione interno alla morsettiera di alimentazione e all'unità. L'adattatore di alimentazione interno è disponibile solo per la videocamera.
- Collegare un alimentatore esterno alla morsettiera di alimentazione e all'unità. Per ulteriori informazioni sugli alimentatori esterni, visitare il sito Web dell'assistenza tecnica all'indirizzo <http://www.axis.com/techsup/>

La morsettiera di alimentazione supporta sia l'alimentazione CA che quella CC.

Tabella per l'assegnazione dei pin della morsettiera di alimentazione





- !** **IMPORTANTE!** - Quando si utilizza un alimentatore a corrente continua (presente in questo prodotto), è molto importante che la connessione si effettua correttamente. Accertati che il filo marcato con l'etichetta con il "+" sia connesso al pin 2 e che l'altro filo sia connesso al pin 3 (terra). Usando un alimentatore a corrente alternata, i due fili potranno essere collegati o al pin 1 o al pin 2 indipendentemente dall'etichetta apportata.

3 Impostazione di un indirizzo IP

La maggior parte delle reti dispone di un server DHCP che automaticamente assegna gli indirizzi IP ai dispositivi connessi. Se la rete non dispone di un server DHCP, per il dispositivo AXIS 233D viene utilizzato l'indirizzo IP predefinito 192.168.0.90.

Per assegnare un indirizzo IP statico, si consiglia di utilizzare **AXIS IP Utility** o **AXIS Camera Management** in ambiente Windows. In base al numero di videocamere da installare, utilizzare il metodo che meglio si adatta alle proprie esigenze.

Entrambe le applicazioni sono disponibili gratuitamente sul CD del prodotto oppure possono essere scaricate dal sito Web all'indirizzo www.axis.com/techsup.

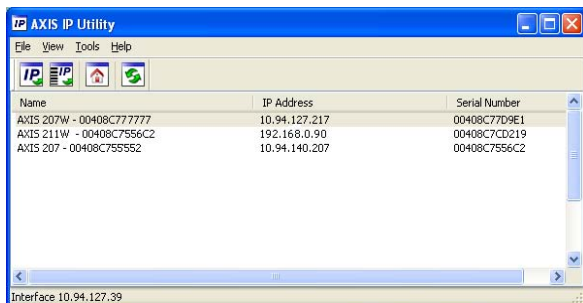
Metodo	Consigliato per...	Sistema operativo
 AXIS IP Utility Vedere pagina 70	Videocamera singola Piccole installazioni	Windows
 AXIS Camera Management Vedere pagina 71	Più videocamere Grandi installazioni Installazione in una diversa subnet	Windows 2000 Windows XP Pro Windows 2003 Server

Note

- Se l'assegnazione dell'indirizzo IP non è riuscita correttamente, verificare che non siano presenti firewall a bloccare l'operazione.
- Per altri metodi di assegnazione o di rilevazione dell'indirizzo IP per il dispositivo AXIS 233D, ad esempio in altri sistemi operativi, vedere pagina 72.

AXIS IP Utility: videocamera singola/piccole installazioni

AXIS IP Utility consente di individuare e visualizzare automaticamente la presenza di periferiche Axis sulla rete. L'applicazione inoltre può essere utilizzare per assegnare manualmente un indirizzo IP statico.




Si tenga presente che il dispositivo AXIS 233D deve essere installato sullo stesso segmento di rete (subnet fisica) del computer sul quale è in esecuzione AXIS IP Utility.

Rilevamento automatico

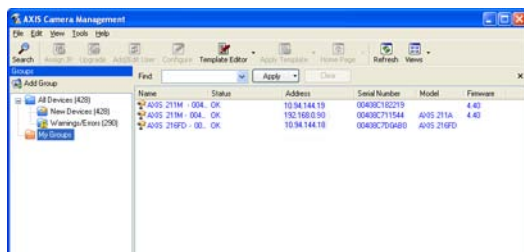
1. Verificare che il dispositivo AXIS 233D sia collegato alla rete e alimentato correttamente.
2. Avviare AXIS IP Utility.
3. Quando la videocamera verrà visualizzata, fare doppio clic su di essa per aprirne la home page.
4. Vedere pagina 72 per istruzioni su come assegnare la password.

Assegnazione manuale dell'indirizzo IP (facoltativo)

1. Acquisire un indirizzo IP non utilizzato sullo stesso segmento di rete del computer.
2. Seleziona AXIS 233D dalla lista
3. Clicca sul pulsante **Assegna un nuovo indirizzo IP all'unità selezionata**  e scrivi l'indirizzo IP.
4. Fare clic sul pulsante **Assegna** e seguire le istruzioni visualizzate.
5. Fare clic sul pulsante **Home Page** per accedere alle pagine Web della videocamera.
6. Vedere pagina 72 per istruzioni su come impostare la password.

AXIS Camera Management: più videocamere/grandi installazioni


È possibile utilizzare AXIS Camera Management per individuare automaticamente la presenza di più dispositivi Axis, mostrare lo stato di connessione, gestire gli aggiornamenti del firmware e impostare gli indirizzi IP.



Rilevamento automatico

1. Verificare che la videocamera sia collegata alla rete e alimentata correttamente.
2. Avviare AXIS Camera Management. Quando verrà visualizzato il dispositivo AXIS 233D, fare doppio clic su di esso per aprire la home page.
3. Vedere pagina 72 per istruzioni su come impostare la password.

Assegnazione di un indirizzo IP in una singola videocamera


1. Selezionare AXIS 233D in AXIS Camera Management e fare clic sul pulsante **Assign IP** (Assegna IP) .
2. Selezionare **Assign the following IP address** (Assegnare il seguente indirizzo IP) e immettere l'indirizzo IP, la subnet mask e il router predefinito utilizzato dal dispositivo.
3. Fare clic sul pulsante **OK**.

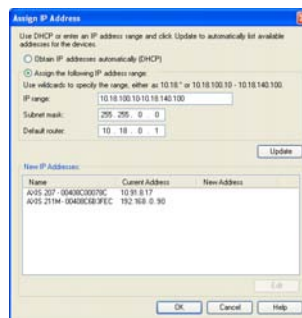


ITALIANO

Assegnazione degli indirizzi IP in più videocamere

AXIS Camera Management facilita il processo di assegnazione degli indirizzi IP di più videocamere, suggerendo gli indirizzi IP in base a un intervallo specifico.

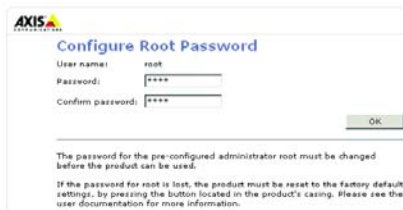
1. Selezionare le videocamere che si desidera configurare possono essere selezionati differenti modelli e fare clic sul pulsante **Assign IP** (Assegna IP) .
2. Selezionare **Assign the following IP address range** (Assegnare il seguente indirizzo IP) e immettere l'intervallo di indirizzi IP, la subnet mask e il router predefinito utilizzato dal dispositivo.
3. Fare clic sul pulsante **OK**.



4 Impostazione della password

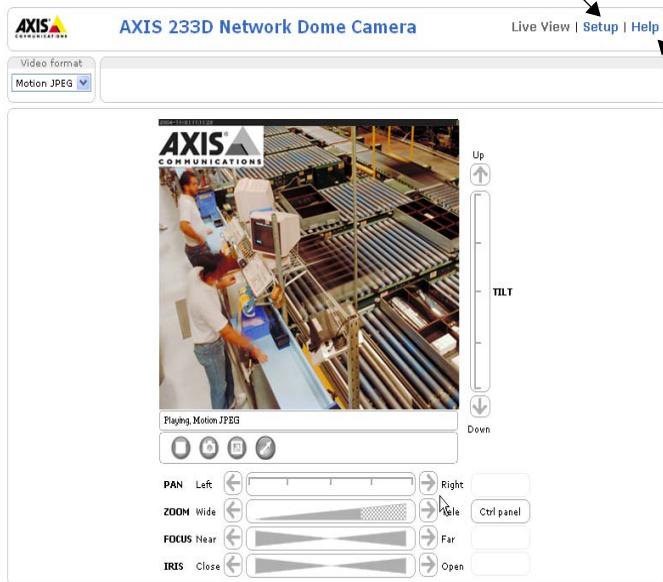
Quando si accede a AXIS 233D per la prima volta, viene visualizzata la finestra di dialogo "Configure Root Password"

1. Immettere la password, quindi inserirla di nuovo per confermarne l'esattezza. Fare clic su OK.
2. Immettere il nome utente di primo livello nella finestra di dialogo Connect to....
Nota: non è possibile eliminare il nome utente predefinito dell'amministratore.
3. Inserire la password impostata in precedenza e fare clic su OK. Se si dimentica la password, sarà necessario ripristinare le impostazioni di fabbrica di AXIS 233D. Vedere pagina 79.
4. Se necessario, fare clic su Sì per installare AMC (Axis Media Control) che consente di visualizzare il flusso video in Microsoft Internet Explorer. A questo scopo è necessario disporre dei privilegi di amministratore.



Viene visualizzata la pagina Live View di AXIS 233D con i collegamenti agli strumenti di configurazione che consentono di personalizzare la videocamera.

Configurazione: fornisce tutti gli strumenti necessari per configurare la videocamera.



Guida: visualizza la Guida in linea relativa alla modalità di utilizzo della videocamera.

Accesso ad AXIS 233D da Internet

Una volta installata, la videocamera AXIS 233D è accessibile dalla rete LAN. Per accedere alla videocamera da Internet, è necessario configurare i router di rete per consentire il traffico dei dati in entrata, operazione che solitamente viene effettuata su una porta specifica. Per ulteriori istruzioni sul router, fare riferimento alla documentazione.

Per ulteriori informazioni relative a questo e altri argomenti, visitare il sito Web del supporto tecnico di Axis all'indirizzo www.axis.com/techsup.

Altri metodi di impostazione dell'indirizzo IP

Nella tabella sotto riportata sono illustrati altri metodi disponibili per impostare o individuare l'indirizzo IP. Tutti i metodi sono disponibili per impostazione predefinita e possono essere tutti disabilitati.

	Sistema operativo	Note
UPnP™	Windows (ME o XP)	Se abilitato sul computer, la videocamera viene rilevata automaticamente e aggiunta a "Risorse di rete".
Bonjour	MAC OSX (versione 10.4 o successive)	Si applica a browser con supporto Bonjour. Selezionare il segnalibro Bonjour nel browser (ad esempio Safari) e fare clic sul collegamento per accedere alle pagine Web della videocamera.
AXIS Dynamic DNS Service	Tutti	Un servizio gratuito fornito da Axis che consente di installare la videocamera in modo facile e veloce. È necessaria una connessione a Internet senza proxy http. Per ulteriori informazioni, visitare il sito Web all'indirizzo www.axiscam.net .
ARP/Ping	Tutti	vedere più avanti. È necessario eseguire il comando entro 2 minuti dal collegamento dell'alimentazione alla videocamera.
Visualizzazione delle pagine di amministrazione del server DHCP	Tutti	Per visualizzare le pagine di amministrazione del server DHCP di rete, vedere la documentazione specifica del server.

Impostazione dell'indirizzo IP con ARP/Ping

1. Acquisire un indirizzo IP sullo stesso segmento di rete cui è connesso il computer in uso.
2. Individuare il numero di serie indicato sull'etichetta di AXIS 233D.
3. Aprire una finestra MS-DOS sul computer e digitare i seguenti comandi:

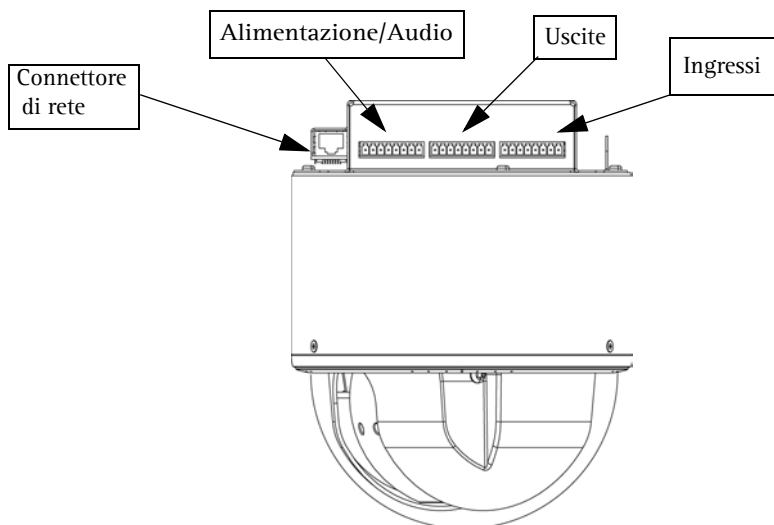
Sintassi di Windows:	Esempio di Windows
<pre>arp -s <Indirizzo IP> <Numero di serie> ping -l 408 -t <Indirizzo IP></pre>	<pre>arp -s 192.168.0.125 00-40-8c-18-10-00 ping -l 408 -t 192.168.0.125</pre>
Sintassi di UNIX/Linux/Mac:	Esempio di UNIX/Linux/Mac
<pre>arp -s <Indirizzo IP> <Numero di serie> temp ping -s 408 <Indirizzo IP></pre>	<pre>arp -s 192.168.0.125 00:40:8c:18:10:00 temp ping -s 408 192.168.0.125</pre>

4. Verificare che il cavo di rete sia connesso alla videocamera e quindi avviare/riavviare la videocamera, scollegando e ricollegando l'alimentazione. È necessario eseguire il comando entro 2 minuti dal collegamento dell'alimentazione alla videocamera.
5. Chiudere la finestra MS-DOS una volta visualizzato il messaggio "Risposta da 192.168.0.125: ..." oppure un messaggio simile.
6. Nel browser immettere `http://<indirizzo IP>` nel campo dell' indirizzo e premere Invio sulla tastiera.

Note

- Per aprire una finestra MS-DOS in Windows: dal menu Start, scegliere Esegui... e digitare cmd. Fare clic su OK.
- Per utilizzare il comando ARP su un sistema operativo Mac OS X, servirsi dell'utilità Terminal, in Applicazioni > Utilità.

Connettori



Connettore di rete: - Ethernet RJ-45. Si consiglia l'uso di cavi schermati. Fare attenzione quando si inserisce e si rimuove il cavo di rete.

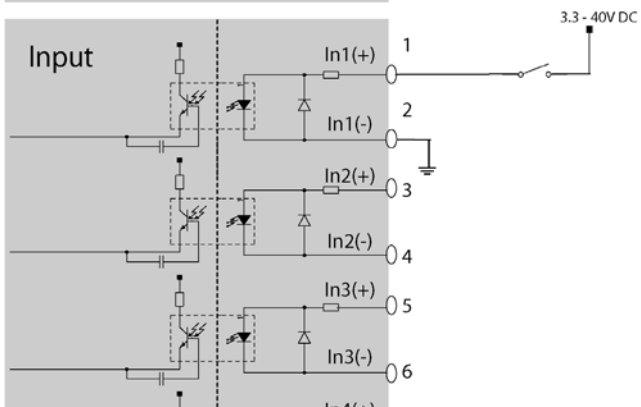
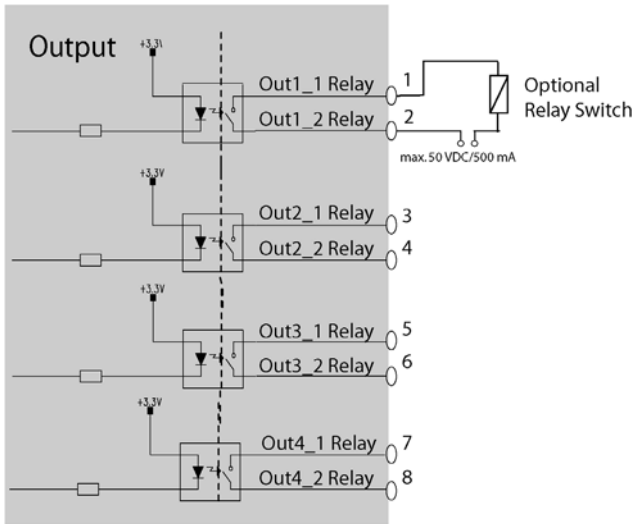
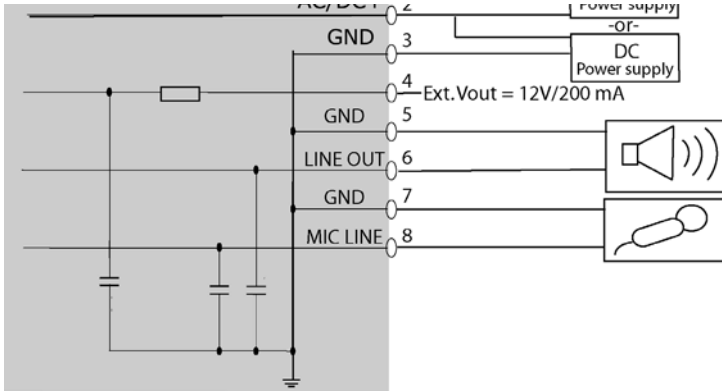
Morsettiera di alimentazione I/O: - viene utilizzata per diverse applicazioni, quali la rilevazione del movimento, l'attivazione di eventi, la registrazione continua, la notifica di allarmi e così via. Fornisce l'interfaccia per i seguenti elementi:

- **Alimentazione/Audio** - Alimentazione, alimentazione supplementare, messa a terra e audio.
- **Uscite** - 4 uscite relè a stato solido: Possono portare un carico massimo di 50 V CC o 35V CA a 500 mA, oppure portare carichi superiori se si collegano ulteriori circuiti di relè. Se si utilizza l'uscita per un relè esterno, è necessario collegare un diodo in parallelo al carico per proteggere il dispositivo da sovratensioni transitorie. Con i connettori, isolati dagli altri circuiti elettrici interni, si utilizza un componente optoisolato.
- **Ingressi** - 4 ingressi per allarmi: utilizzati per collegare i dispositivi di allarme esterni e attivare le immagini per determinati eventi che creano una condizione di allarme. L'ingresso è generalmente collegato a un rilevatore di movimento o ad altri dispositivi di sicurezza esterni e le immagini possono essere caricate ogni volta che si attiva il rilevatore. Per gli ingressi è consentito un voltaggio di 3,3 - 40 V CC. Con i connettori, isolati dagli altri circuiti elettrici interni, si utilizza un componente optoisolato.

3 Morsettiere di alimentazione I/O da 8 pin

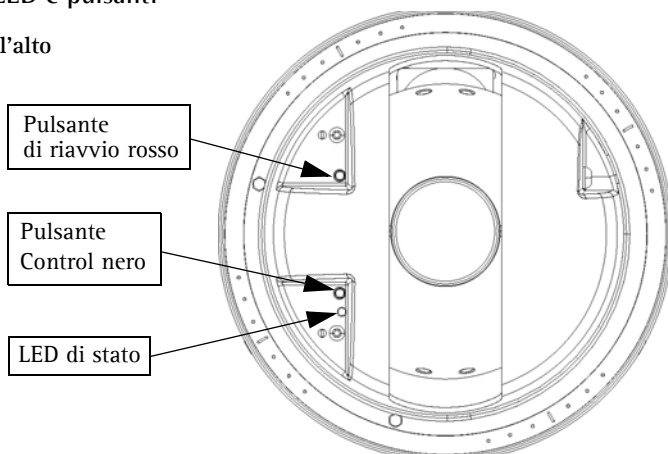
Pin	Funzione	Descrizione
Alimentazione/Audio		
1	Alimentazione AC	18-30 V CA consumo energetico max 25 VA.
2	Alimentazione AC/DC+	18-30 V CA consumo energetico max 25 VA -oppure- 22-40 V CC consumo energetico max 20 W.
3	GND	Messa a terra
4	Tensione d'uscita	12 V / 200 mA La tensione d'uscita può essere utilizzata per alimentare eventuale apparecchiatura supplementare (max. 200 mA)
5	GND	Messa a terra
6	Line OUT	Uscita audio mono (livello segnale di linea), che può essere collegata a un altoparlante attivo con amplificatore integrato
7	GND	Messa a terra
8	Mic/Line IN	Ingresso per un microfono mono o un solo segnale a livello di linea
Uscita		
1	Usc1_1_relè	Nei connettori di uscita della periferica esterna (ad es., Usc1_1 e Usc1_2) non è presente alcuna distinzione tra positivo e negativo. Con i connettori, isolati dagli altri circuiti elettrici interni, si utilizza un componente optoisolato. Non è possibile superare 500 mA di carico massimo e 50 V CC o 35V CA di voltaggio massimo.
2	Usc1_2_relè	
3	Usc2_1_relè	
4	Usc2_2_relè	
5	Usc3_1_relè	
6	Usc3_2_relè	
7	Usc4_1_relè	
8	Usc4_2_relè	
Ingresso		
1	In1_anodo(+)	Elettricamente isolati dallo chassis e dai connettori, questi ingressi possono essere alimentati da una tensione CC esterna o dal pin 4 (tensione d'uscita) del connettore Alimentazione/Audio e della messa a terra (voltaggio di 3,3 - 40 V CC consentito sugli ingressi). Con i connettori, isolati dagli altri circuiti elettrici interni, si utilizza un componente optoisolato. Nota: per i collegamenti, distinguere tra anodo e catodo.
2	In1_catodo(-)	
3	In2_anodo(+)	
4	In2_catodo(-)	
5	In3_anodo(+)	
6	In3_catodo(-)	
7	In4_anodo(+)	
8	In4_catodo(-)	

Schema - Morsettiera I/O e alimentazione del dispositivo AXIS 233D



Indicatore LED e pulsanti

Vista dall'alto



LED di stato

Colore	Descrizione
Spia spenta	Luce fissa: condizioni di normale utilizzo.
Giallo	Luce fissa: durante l'avvio del sistema. Luce lampeggiante: durante l'aggiornamento del firmware o il ripristino delle impostazioni di fabbrica.
Giallo/rosso	Luce lampeggiante gialla/rossa: assenza di connessione alla rete.
Rosso	Luce lampeggiante rossa: errore di aggiornamento del firmware.
Verde	Luce fissa verde per 10 sec.: condizioni di normale utilizzo dopo il riavvio.

Ripristino delle impostazioni di fabbrica

Questa procedura consentirà di ripristinare le impostazioni di fabbrica per tutti i parametri, incluso l'indirizzo IP.

1. Rimuovere la cupola dalla videocamera.
2. Tenere premuti contemporaneamente i pulsanti rosso e nero. Rilasciare il pulsante di riavvio rosso, ma continuare a tenere premuto il pulsante Control nero.
3. Tenere premuto il pulsante Control nero fino a quando l'indicatore di stato non emette una luce gialla lampeggiante (l'operazione può richiedere fino a 15 secondi).
4. Rilasciare il pulsante Control nero.
5. Quando l'indicatore di stato diventa verde (l'operazione può richiedere fino a 1 minuto) la procedura è completata e sono state ripristinate le impostazioni di fabbrica per la videocamera.
6. Riassegnare l'indirizzo IP al dispositivo AXIS 233D, utilizzando uno dei metodi descritti nel presente documento.

Ulteriori informazioni

Il Manuale per l'utente è disponibile sul sito Web Axis all'indirizzo www.axis.com oppure sul CD fornito con il prodotto.

Suggerimento

Visitare il sito Web Axis all'indirizzo www.axis.com/techsup per verificare se sono stati pubblicati aggiornamenti del firmware per il dispositivo AXIS 233D. Per conoscere la versione installata del firmware, vedere la pagina Configurazione base negli strumenti di configurazione.

AXIS 233D

Guía de instalación

Esta guía de instalación incluye las instrucciones necesarias para instalar la Cámara de red AXIS 233D en su red. Para obtener información sobre cualquier cuestión relacionada con el uso del producto, consulte el Manual del usuario, disponible en el CD que se incluye en este paquete o en la página www.axis.com/techsup.

Pasos de instalación

1. Verifique el contenido del paquete con la lista siguiente.
2. Instalación del hardware. Consulte la página 82.
3. Configuración de una dirección IP. Consulte la página 89.
4. Configuración de la contraseña. Consulte la página 92.

Importante
Este producto debe utilizarse de acuerdo con la legislación y la normativa locales.

1 Contenido del paquete

Artículo	Modelos/variantes/notas
Cámara de red	AXIS 233D
Fuente de alimentación para interiores con cable de alimentación	Europa Reino Unido Australia EE.UU./Japón Corea
Bloque terminal de conectores	3 bloques de conectores (8 pines) para conectar dispositivos externos a los conectores del terminal de E/S
Kit de montaje	Soporte para techo para uso en interiores Soporte para falso techo para uso en interiores
CD	CD sobre el producto de vídeo en red de Axis, que incluye herramientas de instalación, otro software y documentación acerca del producto
Material impreso	Guía de instalación de AXIS 233D (este documento) Documento de garantía de Axis

Antes de comenzar:

Si se instala la AXIS 233D en un lugar de difícil acceso, se recomienda configurar la dirección IP y poner en funcionamiento la cámara antes de realizar la instalación del hardware.

Dimensiones

Alt.xAnch.x Prof. = 209x170x170mm (8,23" x 6,69" x 6,69")

Peso = 2,5 Kg (5,5 lbs), sin incluir la fuente de alimentación

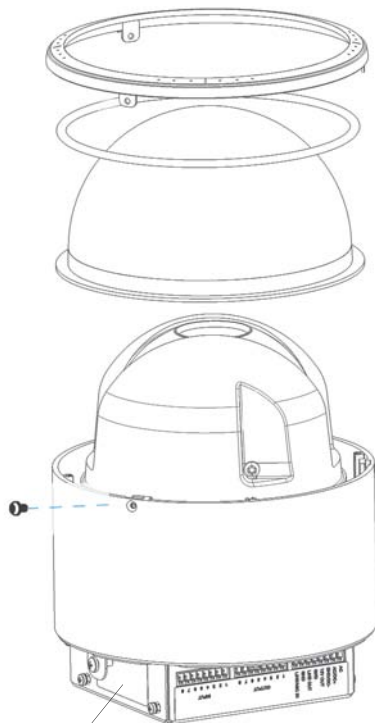
2 Presentación del hardware

Coloque la burbuja en la cámara

1. Coloque la burbuja en la base de la cámara.
2. Sitúe la arandela selladora tipo-O y el anillo negro con las coordenadas sobre la burbuja. Gire el anillo hasta que encaje en las ranuras.
3. Para ajustar el anillo negro se emplean diferentes tornillos en función del tipo de soporte de techo que se vaya a instalar. (Véase la imagen de la derecha).

(no los atornille completamente)

- Uso con soporte para techo:
3 tornillos empotrados
 - Uso con soporte para falso techo:
3 tornillos M3x10
4. Apriete los tornillos de forma que el anillo y la burbuja queden firmemente sujetos. Siga las instrucciones para el soporte de cámara seleccionado.



Note:

No use la cúpula de la cámara si va a ser instalada en una cubierta protectora, pues el uso de dos burbujas reducirá la calidad de la imagen y producirá una imagen poco definida.

Nota:

El número de serie de la cámara (N/S) se indica en esta etiqueta. Ud. necesitará este número para configurar la dirección IP de la cámara.

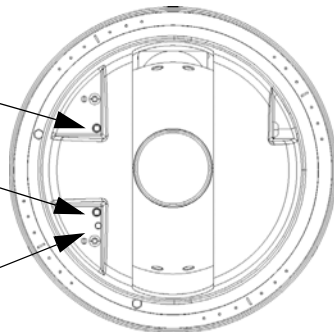
Se incluye una etiqueta adicional con este producto. Consérvela en un lugar seguro para utilizarla más adelante.

Vista superior

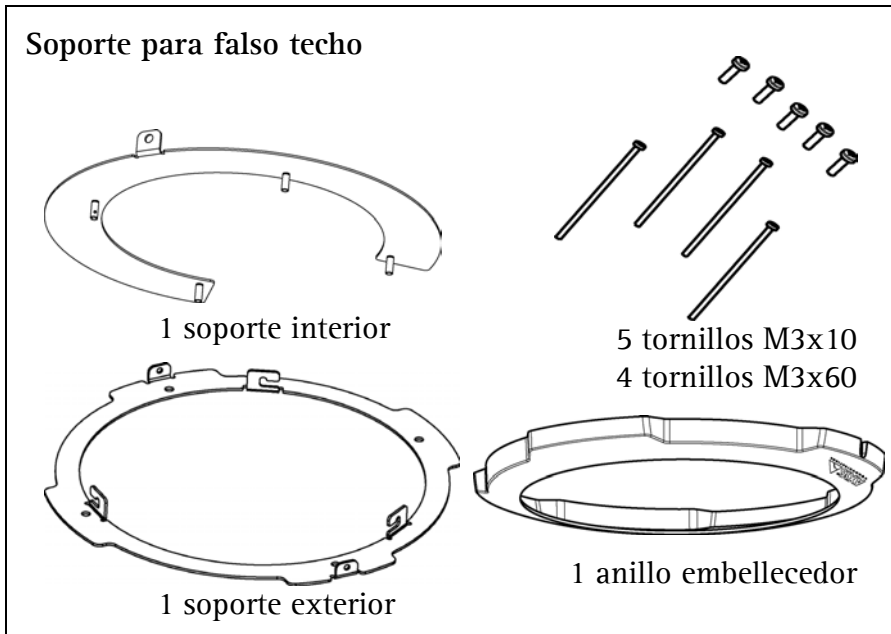
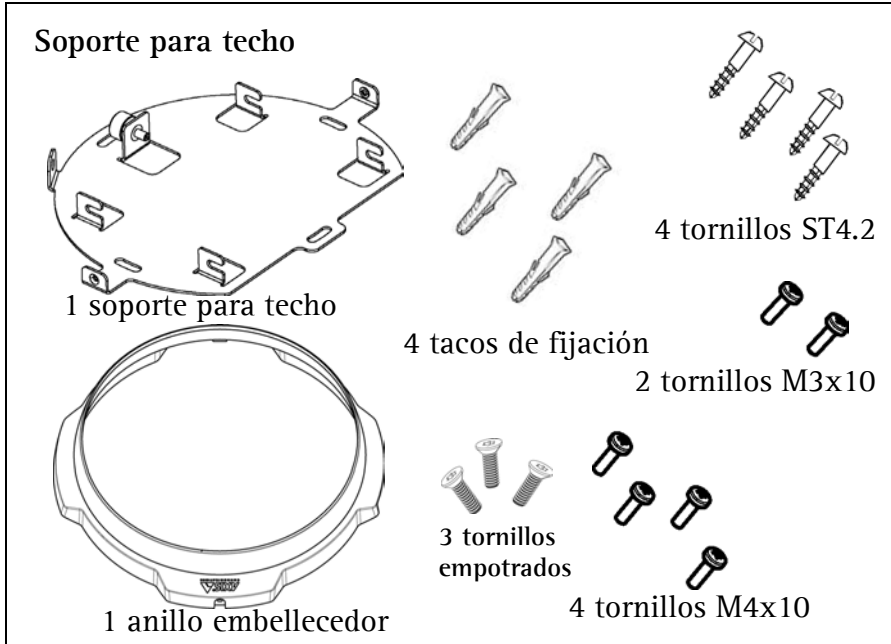
Botón de reinicio rojo

Botón de control negro

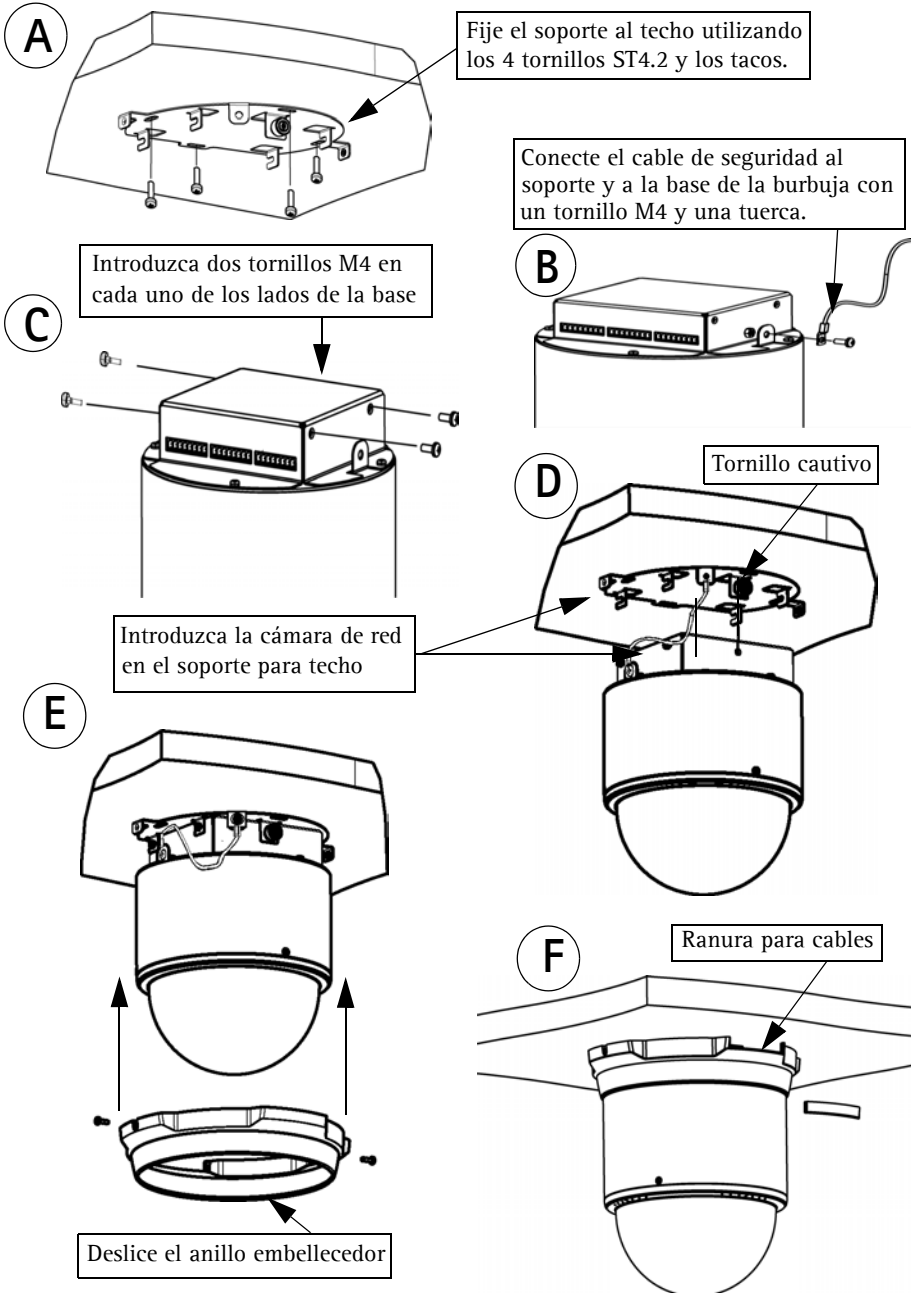
LED de estado



Contenido del paquete del soporte para techo



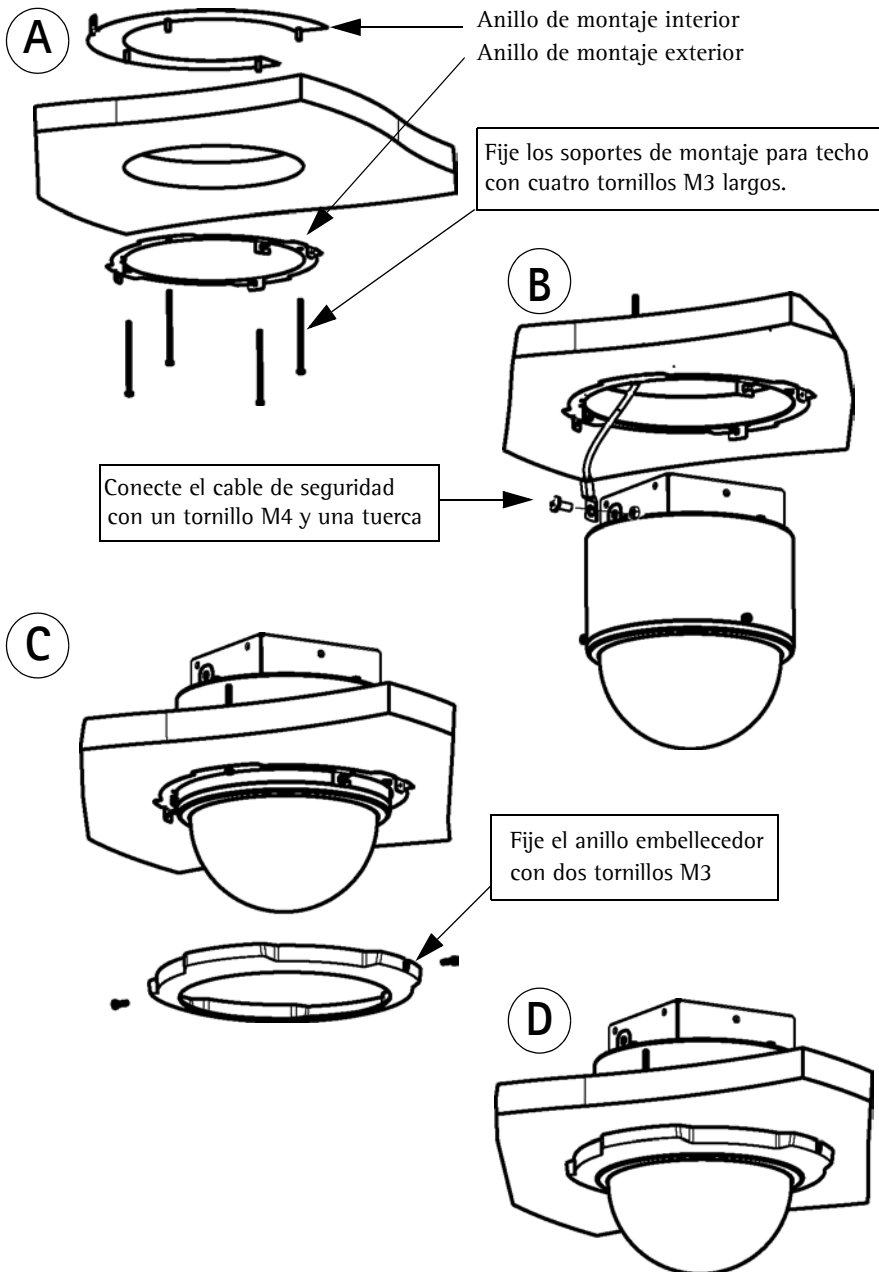
SopORTE para techo



Con la ayuda de la imagen del apartado Soporte para techo, siga las instrucciones que se indican a continuación para instalar la cámara domo:

1. Fije el soporte al techo utilizando los cuatro tornillos ST4.2 y los tacos . (Figura A)
2. Inserte un extremo del cable de seguridad en el soporte y el otro extremo en la AXIS 233D con un tornillo M4 y una tuerca. (Figura B)
3. Inserte parcialmente cuatro tornillos M4 en la base de la cámara (dos en cada lado). (Figura C).
4. Introduzca la AXIS 233D en el soporte y fije el tornillo cautivo. De este modo, podrá tener las manos libres para fijar los cuatro tornillos en las ranuras de tornillo de la AXIS 233D (dos en cada lado). (Figura D).
5. Conecte el cable de red.
6. Conecte el cable de alimentación al bloque de conexión (consulte *Conexiones eléctricas*, en la página 88)
7. Deslice el anillo embellecedor sobre la AXIS 233D y fíjelo al soporte con dos tornillos M3. Asegúrese de situar el lado con la ranura abierta sobre los bloques de conexión para cables. (Figura E).
8. La instalación del hardware ha finalizado. Consulte *Configuración de una dirección IP*, en la página 89 para instalar la AXIS 233D en la red.

Montaje para falso techo



Con la ayuda de la imagen del apartado Soporte para falso techo, siga las instrucciones que se indican a continuación para instalar la cámara domo:

1. Determine el lugar del techo en el que perforará un agujero de 190 mm. Se incluye una plantilla para ayudarlo a marcar el agujero de montaje.
2. Haga un orificio en el techo según las marcas.
3. Inserte el anillo de montaje interior en el techo con la rosca de los tornillos hacia abajo. (Figura A).
4. Fije el anillo de montaje interior al anillo de montaje exterior. Utilice para ello cuatro tornillos M3 largos.
5. Fije el cable de seguridad a una parte con estructura sólida del techo y a la base de la cámara sirviéndose de un tornillo M4 y una tuerca. (Figura B).
6. Conecte el cable Ethernet y el cable de alimentación al bloque de conexión, haciéndolos pasar a través del orificio del techo (consulte *Conexiones eléctricas*, en la página 88).
7. Empuje el cuerpo de la burbuja hacia arriba hasta el soporte instalado, asegurándose de alinear los orificios para tornillos de la burbuja (véase el paso 3, , en la página 82) con las ranuras de tornillo del soporte de montaje. Apriete los tornillos para fijar la cámara al soporte.
8. Deslice el anillo embellecedor sobre la burbuja y alinee los orificios para tornillos con las ranuras de tornillo del soporte. Fije el anillo embellecedor con dos tornillos M3. (Figura C).
9. La instalación del hardware ha finalizado. Consulte *Configuración de una dirección IP*, en la página 89 para instalar la AXIS 233D en la red.

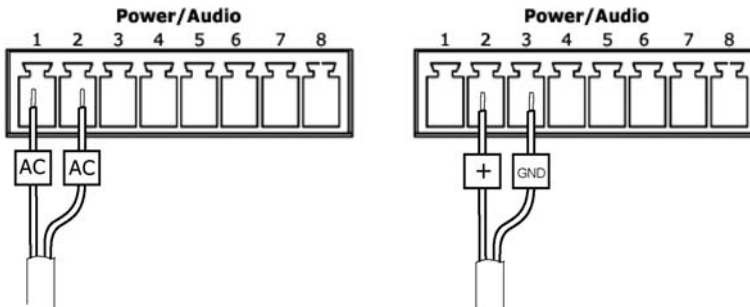
Conexiones eléctricas

La cámara puede recibir el suministro eléctrico de las siguientes maneras:

- Conecte el adaptador de corriente para interiores suministrado al bloque de conectores de alimentación y fíjelo a la carcasa de la cámara. Tenga en cuenta que el adaptador de corriente para interiores sólo proporciona corriente a la cámara.
- Conecte una fuente de alimentación para exteriores al bloque de conectores de alimentación y fíjelo a la carcasa de la cámara. Si desea más información sobre las fuentes de alimentación de exteriores disponibles, visite las páginas Web de asistencia técnica (<http://www.axis.com/techsup/>).

El bloque de conectores de alimentación es compatible con entradas de alimentación CA y CC.

Tabla de asignación de los pines del bloque de conectores de alimentación





- !** **IMPORTANTE!** - Cuando utilice adaptador de corriente DC (incluido con el producto), es importante que esté conectado correctamente al bloque de conectores. Asegúrese que el cable marcado con “+” esté conectado al pin 2 y el cable restante al GND del pin 3. Con un adaptador de corriente AC cualquier cable puede ser conectado al pin 1 o al pin 2.

3 Configuración de una dirección IP

Actualmente, la mayoría de redes disponen de un servidor DHCP que asigna direcciones IP a dispositivos conectados de forma automática. Si su red no dispone de un servidor DHCP, AXIS 233D utilizará 192.168.0.90 como dirección IP predeterminada.

Si desea asignar una dirección IP estática, el método de Windows recomendado es **AXIS IP Utility** o **AXIS Camera Management**. En función del número de cámaras que desee instalar, deberá utilizar el método que se adapte mejor a sus necesidades.

Ambas aplicaciones son gratuitas y están disponibles en el CD del producto de vídeo en red de Axis suministrado con este producto o pueden descargarse de www.axis.com/techsup.

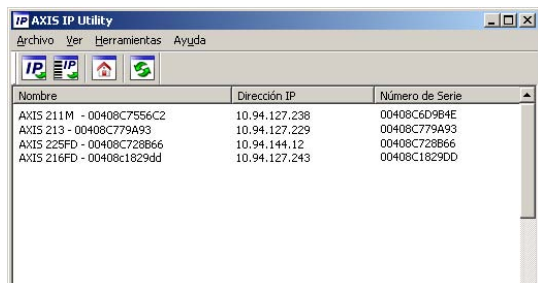
Método	Recomendado para	Sistema operativo
 AXIS IP Utility Consulte la página 90	Cámaras individuales Instalaciones pequeñas	Windows
 AXIS Camera Management Consulte la página 91	Varias cámaras Instalaciones grandes Instalación en una subred dife- rente	Windows 2000 Windows XP Pro Windows 2003 Server

Notas:

- Si no puede asignar la dirección IP, compruebe que no haya ningún firewall que bloquee la operación.
- Consulte la página 92 para conocer otros métodos para asignar o detectar la dirección IP de la AXIS 233D, por ejemplo, en otros sistemas operativos.

AXIS IP Utility: para cámaras individuales o instalaciones pequeñas

AXIS IP Utility encuentra y muestra automáticamente los dispositivos Axis que existen en la red. Además, puede utilizarse para asignar manualmente una dirección IP estática.




Recuerde que el equipo que ejecute AXIS IP Utility debe instalarse en el mismo segmento de red (subred física) que la AXIS 233D.

Detección automática

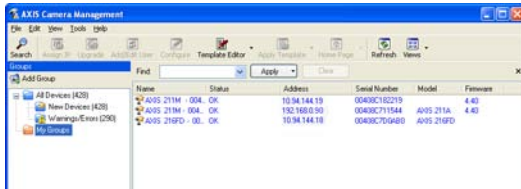
1. Compruebe que la AXIS 233D está conectada a la red y que recibe alimentación.
2. Inicie AXIS IP Utility.
3. Cuando la cámara aparezca en la ventana, haga doble click en ella para abrir su página de inicio.
4. Consulte la página 92 para obtener instrucciones sobre cómo asignar la contraseña.

Asignación manual de la dirección IP (opcional)

1. Obtenga una dirección IP que no esté en uso y que se encuentre en el mismo segmento de red que su PC.
2. Seleccione el nombre de producto en la lista.
3. Haga clic en el botón **Asignar nueva dirección IP al dispositivo**  e introduzca la dirección IP.
4. Haga clic en el botón **Asignar** y siga las instrucciones.
5. Haga clic en **Página de inicio** para acceder a las páginas Web de la cámara.
6. Consulte la página 92 para obtener instrucciones sobre cómo configurar la contraseña.

AXIS Camera Management: para varias cámaras e instalaciones grandes

AXIS Camera Management puede detectar automáticamente varios dispositivos Axis, mostrar el estado de la conexión, administrar las actualizaciones del firmware y configurar direcciones IP.

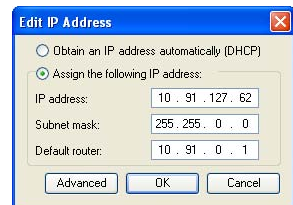


Detección automática

1. Compruebe que la cámara está conectada a la red y que recibe alimentación.
2. Inicie AXIS Camera Management. Cuando aparezca la AXIS 233D en la ventana, haga doble click en el icono para abrir la página de inicio.
3. Consulte la página 92 para obtener instrucciones sobre cómo configurar la contraseña.

Asignación de una dirección IP en un dispositivo individual

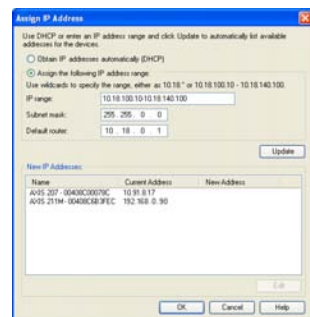
1. Seleccione AXIS 233D en AXIS Camera Management y haga click en el botón Assign IP (Asignar IP).
2. Seleccione Assign the following IP address (Asignar la dirección siguiente) e introduzca la IP la máscara de subred y el enrutador predeterminado que utilizará el dispositivo.
3. Haga click en el botón OK (Aceptar).



Asignación de direcciones IP en varios dispositivos

AXIS Camera Management acelera el proceso de asignación de direcciones IP en varios dispositivos indicando direcciones IP disponibles dentro de un intervalo especificado.

1. Seleccione los dispositivos que desee configurar (se puede seleccionar varios modelos) y haga click en el botón Assign IP (Asignar IP).
2. Seleccione Assign the following IP address range (Asignar la siguiente dirección) e introduzca las direcciones IP, la máscara de subred y el enrutador predeterminado que utilizará el dispositivo.
3. Haga click en el botón OK (Aceptar).



5 Configuración de la contraseña

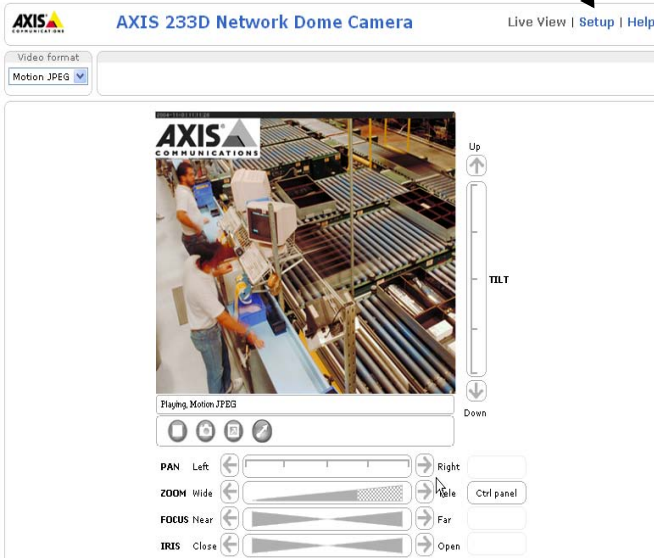
Al acceder a la AXIS 233D por primera vez, aparecerá el cuadro de diálogo “Configure Root Password” (Configurar contraseña de root).



1. A continuación, escriba una contraseña y vuelva a escribirla para confirmarla. Haga clic en **Aceptar**.
2. Escriba el nombre de usuario root en el cuadro de diálogo “Connect to...”.
Nota: El nombre de usuario predeterminado para el administrador root no se puede borrar.
3. Escriba la contraseña que introdujo anteriormente y haga clic en “**Aceptar**”. Si extravió u olvidó la contraseña, debe restablecer la AXIS 233D a los valores iniciales. Consulte la página 99.
4. En caso necesario, haga clic en **Sí** para instalar el AMC (AXIS Media Control) y así permitir la visualización del vídeo continuo en Internet Explorer. Para ello, debe tener derechos de administrador en su ordenador.

La página Live View de la AXIS 233D aparece con enlaces a las herramientas de configuración que le permiten personalizar la cámara.

Configuración: proporciona todas las herramientas necesarias para configurar la cámara según sus necesidades.



Ayuda: presenta ayuda en línea sobre todos los aspectos del uso de la cámara.

Acceso a la AXIS 233D desde Internet

Una vez instalada, puede acceder a la AXIS 233D desde su red local (LAN). Para acceder a la cámara desde Internet, los routers de red deben estar configurados para permitir el tráfico de datos de entrada, que normalmente se efectúa en un puerto específico. Para obtener más instrucciones, consulte la documentación de su enrutador.

Para obtener más información sobre este u otros temas, visite la página de asistencia técnica de Axis en www.axis.com/techsup

Otros métodos para configurar la dirección IP

Esta tabla presenta otros métodos disponibles para configurar o detectar la dirección IP. Todos los métodos están habilitados de forma predeterminada y es posible deshabilitarlos.

	Sistema operativo	Notas
UPnP™	Windows (ME o XP)	La cámara se detecta y añade a "Mis sitios de red" automáticamente, siempre que esta opción esté habilitada en el equipo.
Bonjour	MAC OSX (10.4 o posterior)	Aplicable a navegadores compatibles con Bonjour. Navegue hasta el favorito Bonjour™ del explorador (p. ej., Safari) y haga clic en el vínculo para acceder a las páginas Web de la cámara.
Servicio de DNS dinámico de AXIS	Todos	Servicio gratuito suministrado por Axis que permite instalar la cámara de forma rápida y sencilla. Es necesario disponer de conexión a Internet sin proxy HTTP. Para más información, consulte www.axiscam.net .
ARP/Ping	Todos	Véase más adelante. El comando debe emitirse en los dos minutos posteriores al encendido de la cámara.
Acceso a las páginas admin. del servidor DHCP	Todos	Para acceder a las páginas admin. del servidor DHCP en red, consulte la documentación del servidor.

Configuración de la dirección IP con ARP/Ping

1. Adquiera una dirección IP en el mismo segmento de red en el que está conectado su equipo.
2. Localice el número de serie (N/S) en la etiqueta de la AXIS 233D.
3. Abra una línea de comando en su equipo y escriba los comandos siguientes:

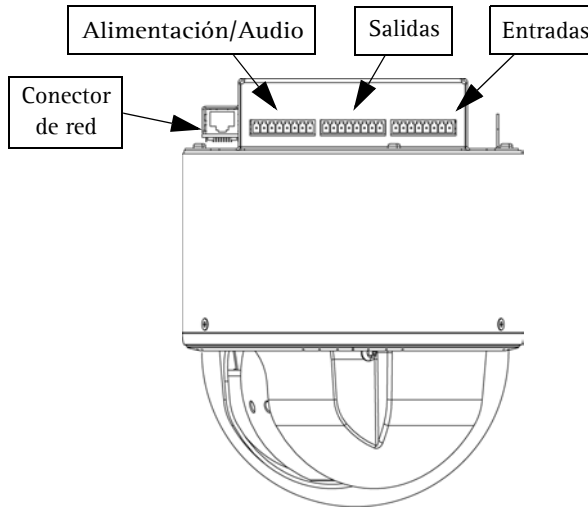
Sintaxis en Windows:	Ejemplo en Windows
<pre>arp -s <Dirección IP> <Número de serie> ping -l 408 -t <Dirección IP></pre>	<pre>arp -s 192.168.0.125 00-40-8c-18-10-00 ping -l 408 -t 192.168.0.125</pre>
Sintaxis en UNIX/Linux/Mac	Ejemplo en UNIX/Linux/Mac
<pre>arp -s <Dirección IP> <Número de serie> temp ping -s 408 <Dirección IP></pre>	<pre>arp -s 192.168.0.125 00:40:8c:18:10:00 temp ping -s 408 192.168.0.125</pre>

4. Compruebe que el cable de red está conectado a la cámara y desconecte y vuelva a conectar la corriente para iniciarla o reiniciarla.
5. Cierre la línea de comando cuando vea "Reply from 192.168.0.125:" (Respuesta de 192.168.0.125;) o similar.
6. En el explorador, escriba <http://<dirección IP>> en el campo Ubicación/Dirección y pulse Intro en el teclado.

Notas:

- Para abrir una línea de comando en Windows: desde el menú Inicio, seleccione Ejecutar... y escriba cmd. Haga clic en Aceptar.
- Para utilizar el comando ARP en un sistema operativo Mac OS X, utilice la herramienta Terminal, que se encuentra en Aplicaciones > Utilidades.

Conectores



Conector de red - Conector Ethernet RJ-45. Se recomienda emplear cables blindados.

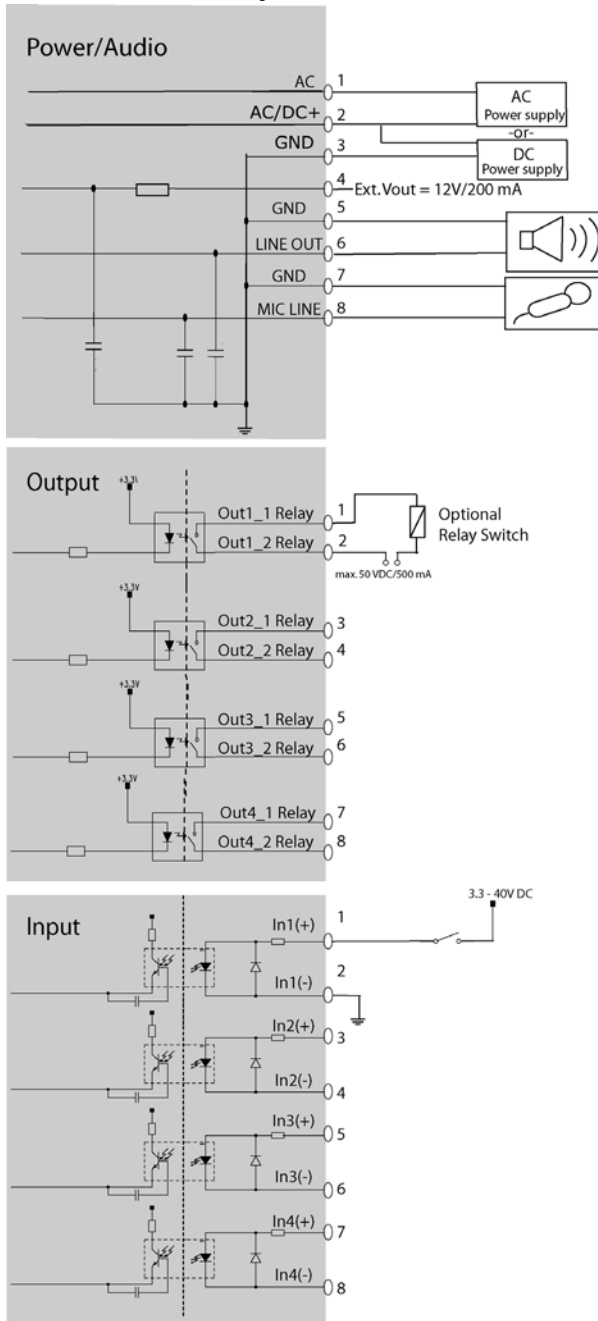
Conector del terminal de E/S - Utilizado, por ejemplo, en aplicaciones de detección de movimiento, desencadenamiento de eventos, grabación de lapsos de tiempo, notificaciones de alarma, etc. Proporciona la interfaz de conexión para:

- **Alimentación/Audio** - alimentación, alimentación auxiliar, conexión a tierra y audio.
- **Salidas** - Cuatro salidas de relé de estado sólido: pueden conducir una carga máxima de 50 VCC o 35VAC a 500 mA o cargas superiores mediante la conexión de circuitos de relé adicionales. Si se utiliza la salida con un relé externo, debe conectarse un diodo en paralelo con la carga como protección frente a oscilaciones de voltaje. Los terminales utilizan un fotoacoplador y están aislados eléctricamente del resto de los circuitos internos.
- **Entradas** - Cuatro entradas de alarma: Se emplean para conectar dispositivos de alarma externos y desencadenar imágenes para eventos basados en alarmas específicas. La entrada se conecta habitualmente a un detector de movimiento o a otro dispositivo de seguridad externo, de manera que pueden cargarse las imágenes siempre que el detector esté activado. Se aceptan las entradas entre 3,3 y 40 V CC. Los terminales utilizan un fotoacoplador y están aislados eléctricamente del resto de los circuitos internos.

Bloques de conectores de terminal de E/S de 3 a 8 pines

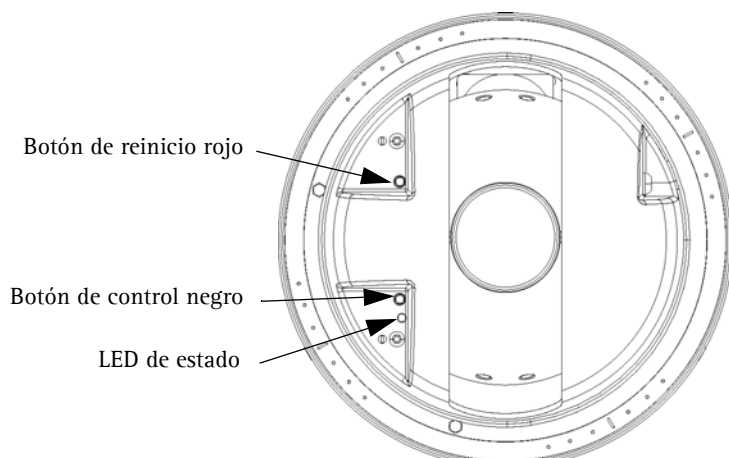
Pin	Función	Descripción
Alimentación/Audio		
1	Alimentación AC	18-30 VCA con consumo máx. de energía de 25 VA.
2	Alimentación AC/DC+	18-30 VCA con consumo máx. de energía de 25 VA -0- 22-40 VCC con consumo máx. de energía de 20 W.
3	GND	Tierra
4	Voltaje	12 V/200 mA Puede utilizarse un voltaje máximo de 200 mA para alimentar equipos auxiliares.
5	GND	Tierra
6	Salida de línea	Salida de audio mono (nivel de línea), que puede conectarse a un altavoz activo con un amplificador incorporado.
7	GND	Tierra
8	Mic/Entrada de línea	Entrada para micrófono mono o para señal mono de nivel de línea.
Salida		
1	Relé Out1_1	En los terminales de salida del dispositivo externo (por ejemplo Out1_1 y Out1_2) no se distingue el lado positivo del negativo. Los terminales utilizan un fotoacoplador y están aislados eléctricamente del resto de los circuitos internos. La carga máxima no debe superar los 500 mA y el voltaje máximo no debe ser mayor de 50 VCC o 35VAC.
2	Relé Out1_2	
3	Relé Out2_1	
4	Relé Out2_2	
5	Relé Out3_1	
6	Relé Out3_2	
7	Relé Out4_1	
8	Relé Out4_2	
Entrada		
1	Ánodo In1 (+)	Estas entradas, que se encuentran aisladas eléctricamente de la carcasa y de los conectores, pueden recibir corriente de una fuente CC externa o del pin 4 (Voltaje) del conector de alimentación/audio y GND. (en las entradas se aceptan entre 3,3 y 40 VCC)
2	Cátodo In1 (-)	
3	Ánodo In2 (+)	
4	Cátodo In2 (-)	
5	Ánodo In3 (+)	Los terminales utilizan un fotoacoplador y están aislados eléctricamente del resto de los circuitos internos. Nota: al hacer las conexiones se debe distinguir entre ánodo y cátodo.
6	Cátodo In3 (-)	
7	Ánodo In4 (+)	
8	Cátodo In4 (-)	

Esquema - Conectores de E/S y alimentación de la AXIS 233D



Indicador LED y botones

Vista superior



LED de estado

Color	Descripción
Apagado	Conexión estable/funcionamiento normal
Ámbar	Fijo mientras el sistema arranca. Parpadea durante la actualización del firmware o el restablecimiento de la configuración pre-determinada.
Ámbar/rojo	Parpadea en ámbar y rojo cuando no hay conexión de red.
Rojo	Parpadea en rojo cuando hay un fallo en la actualización del firmware
Verde	Verde fijo durante 10 segundos para indicar que funciona normalmente tras el reinicio

Restablecimiento de los valores iniciales

Esta operación reconfigurará todos los parámetros, incluida la dirección IP, a los valores iniciales:

1. Extraiga la burbuja de la cámara.
2. Pulse y mantenga pulsados los botones rojo y negro al mismo tiempo. Suelte el botón de reinicio rojo, pero continúe presionando el botón de control negro.
3. Mantenga pulsado el botón de control negro hasta que el indicador de estado emita una luz ámbar (puede tardar hasta 15 segundos en encenderse).
4. Suelte el botón de control negro.
5. Cuando el indicador de estado emita una luz verde (lo que puede tardar hasta 1 minuto), habrá finalizado el proceso y se habrán restablecido los valores iniciales de la cámara.
6. Vuelva a asignar la dirección IP a la AXIS 233D utilizando uno de los métodos descritos en este documento.

Más información

Podrá acceder al Manual del usuario desde el sitio Web de Axis www.axis.com, o bien a través del CD sobre el producto de vídeo de red de Axis suministrado con este producto.

Sugerencia:

Entre en www.axis.com/techsup para comprobar si existe firmware actualizado disponible para la AXIS 233D. Para ver la versión de firmware que se encuentra instalada en ese momento, consulte la página Web Configuración básica en las herramientas de configuración del producto.

