



AXIS 221/223M  
Network Camera  
Installation Guide

ENGLISH

FRANCAIS

DEUTSCH

ESPAÑOL

ITALIANO



# AXIS 221/223M Installation Guide

This installation guide provides instructions for installing the AXIS 221/223M on your network. For all other aspects of using the product, please see the User's Manual, available on the CD included in this package, or from [www.axis.com/techsup](http://www.axis.com/techsup)

## Installation steps

1. Check the package contents against the list below.
2. Hardware overview. See page 4.
3. Connect the cables. See page 5.
4. Set an IP address. See page 6.
5. Set the password. See page 9.
6. Adjust the image and focus. See page 10

**Important!**  
This product must be used in compliance with local laws and regulations.

## 1 Package contents

Item	Models/variants/notes
Network camera	AXIS 221 Network Camera AXIS 223M Network Camera
	CS lens adaptor ring (AXIS 223M only)
PS-K indoor power supply	country specific
Terminal block connector	10-pin connector block for connecting external devices to the I/O terminal connector 3-pin connector block for connecting power to the 3-pin power connector
CD	AXIS Network Video Product CD, including product documentation, installation tools and other software
Printed Materials	AXIS 221/223M Installation Guide (this document) Axis Warranty Document

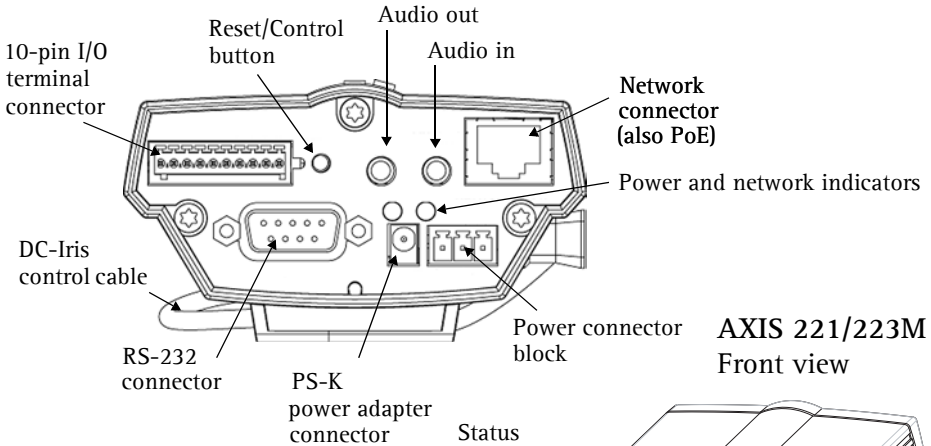
### Important!

To use the AXIS 221/223M outdoors it must be installed in a protective housing. For more information on protective housings and other accessories, please visit [www.axis.com](http://www.axis.com)

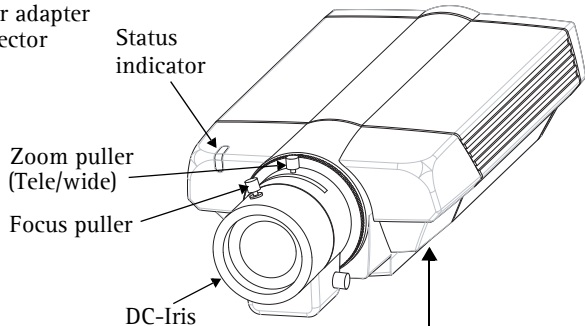
ENGLISH

## 2 Hardware overview

### AXIS 223M - Rear view

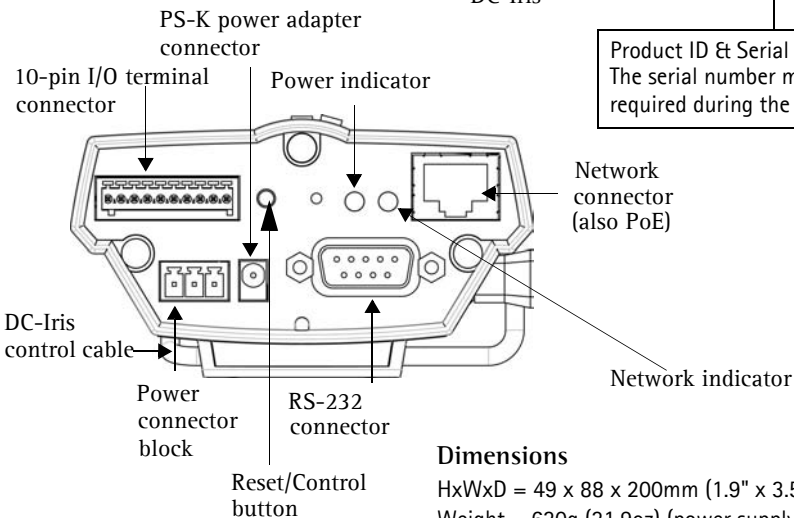


AXIS 221/223M  
Front view



Product ID & Serial number (S/N).  
The serial number may be required during the installation.

### AXIS 221 - Rear view



### Dimensions

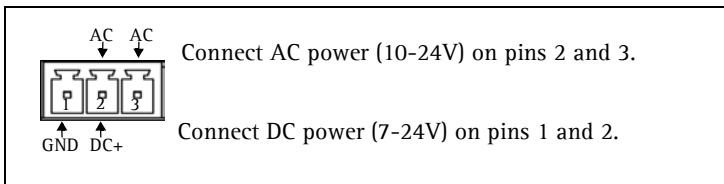
HxWxD = 49 x 88 x 200mm (1.9" x 3.5" x 7.9")

Weight = 620g (21.9oz) (power supply not included)

### 3 Connect the cables

1. Connect the camera to the network using a shielded network cable.
2. Optionally connect external input/output devices, such as alarm devices. See page 13 for information on the terminal connector pins.
3. Optionally connect an active speaker and/or external microphone (AXIS 223M only).
4. Connect power, using one of the methods listed below:
  - PoE (Power over Ethernet). If available, this is automatically detected when the network cable is connected (see above).
  - Connect the supplied indoor power adapter\* to the power connector on the camera.
  - The 3 pin power connector block on the rear panel. See the illustration below.
5. Check that the LED indicators show the correct conditions. See the table below for further details. Note that some LEDs can be disabled and may be unlit.

### 3 pin power connector block



### LED indicators

LED	Color	Description
Network	Green	Steady for connection to 100 Mbit/s network. Flashes for network activity.
	Amber	Steady for connection to 10 Mbit/s network. Flashes for network activity.
	Unlit	No connection.
Status	Green	Shows steady green for normal operation. <b>Note:</b> The Status LED can be configured to be unlit during normal operation, or to flash only when the camera is accessed. See the online help files for more information. Go to <b>Setup &gt; System Options &gt; LED settings</b>
	Amber	Steady during startup, reset to factory default or when restoring settings.
	Red	Slow flash for failed upgrade.
Power	Green	Normal operation.
	Amber	Flashes green/amber during firmware upgrade.



\* only use the supplied PS-K power adapter

## 4 Assign an IP address

To make it accessible on the network, the AXIS 221/223M must be assigned an IP address.

Depending on the number of cameras you wish to install, the recommended method for assigning IP addresses in Windows is either **AXIS IP Utility** or **AXIS Camera Management**. Use the method that best suits your purpose.

Both of these free applications are available on the Axis Network Video Product CD supplied with this product, or they can be downloaded from [www.axis.com/techsup](http://www.axis.com/techsup)

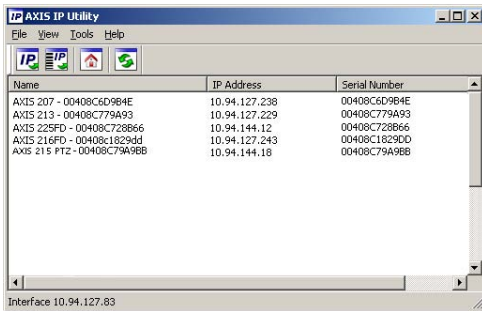
Method	Recommended for	Operating system
 AXIS IP Utility See page 7	Single camera Small installations	Windows
 AXIS Camera Management See page 8	Multiple cameras Large installations Installation on a different subnet	Windows 2000 Windows XP Pro Windows 2003 Server

### Notes:

- A network DHCP server is optional.
- The AXIS 221/223M has the default IP address 192.168.0.90
- If assigning the IP address fails, check that there is no firewall blocking the operation.
- For other methods of assigning or discovering the IP address of the AXIS 221/223M, e.g. in other operating systems, see page 12.

## AXIS IP Utility - single camera/small installation

AXIS IP Utility automatically discovers and displays Axis devices on your network. The application can also be used to manually assign a static IP address.




Note that the computer running AXIS IP Utility must be on the same network segment (physical subnet) as the AXIS 221/223M.

### Automatic discovery

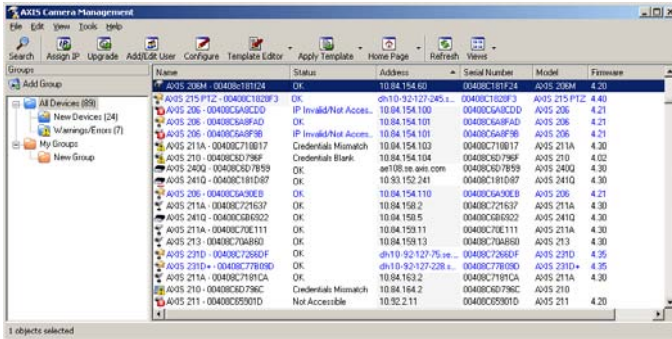
1. Check that the AXIS 221/223M is connected to the network and that power has been applied.
2. Start AXIS IP Utility.
3. When the camera appears in the window, double-click it to open its home page.
4. See page 9 for instructions on how to assign the password.

### Assign the IP address manually

1. Acquire an unused IP address on the same network segment as your computer.
2. Click the button  Assign new IP address using serial number and enter the serial number and IP address for the AXIS 221/223M. The serial number is located on the product label.
3. Click the Assign button and follow the instructions.
4. Click the Home Page button to access the camera's web pages.
5. See page 9 for instructions on how to set the password.

## AXIS Camera Management - multiple cameras/large installations

AXIS Camera Management can automatically find and set IP addresses, show connection status, and manage firmware upgrades for multiple Axis video products.



### Automatic discovery

1. Check that the camera is connected to the network and that power has been applied.
2. Start AXIS Camera Management. When the AXIS 221/223M appears in the window, double-click it to open the camera's home page.
3. See page 9 for instructions on how to set the password.

### Set the IP address in multiple devices

AXIS Camera Management speeds up the process of assigning IP addresses to multiple devices, by suggesting IP addresses from a specified range.

1. Select the devices you wish to configure (different models can be selected) and click the **Assign IP** button.
2. Select **Obtain IP addresses automatically (DHCP)**, click the **Update** button and the program will search in the specified range and suggest an IP address for each device.

-or-  
Enter the range of IP addresses, the subnet mask and default router that devices can use and click the **Update** button.



## 5 Set the password

When accessing the AXIS 221/223M for the first time, the 'Configure Root Password' dialog will be displayed.



1. Enter a password and then re-enter it, to confirm the spelling. Click OK.
2. Enter the user name root in the dialog.  
Note: The default administrator user name 'root' cannot be deleted.
3. Enter the password as set above, and click OK. If the password is lost, the AXIS 221/223M must be reset to the factory default settings. See page 14.
4. If required, click Yes to install AMC (AXIS Media Control), which allows viewing of the video stream in Internet Explorer. You will need administrator rights on the computer to do this.

The Live View page of the AXIS 221/223M is displayed, with links to the Setup tools, which allow you to customize the camera.

Setup - Provides all the necessary tools for setting up the camera to requirements.

Help - Displays online help



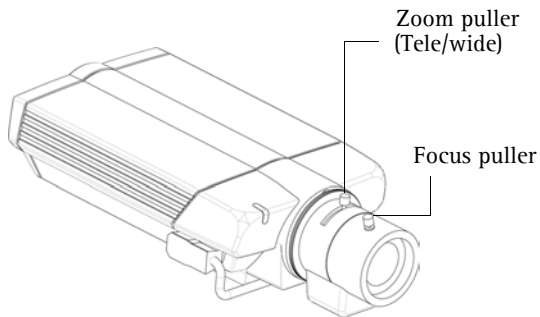
## 6 Adjust the image and focus

To adjust the position of the lens:

1. Open the Live View page in your web browser.
2. Check the image in the Live View page, and move the lens to the desired position.

To focus the AXIS 221/223M:

1. From the Basic Configuration page in the setup tools, open the Focus adjustment page.
2. Set the DC-Iris to *Disabled* and click Save.
3. Unscrew the zoom puller on the lens by turning it anti-clockwise. Adjust the zoom setting as required.
4. Re-tighten the zoom puller.
5. Unscrew the focus puller on the lens. Adjust the focus as required. Re-tighten the focus puller.
6. From the Focus adjustment page, set the DC-Iris to Enabled and click Save.



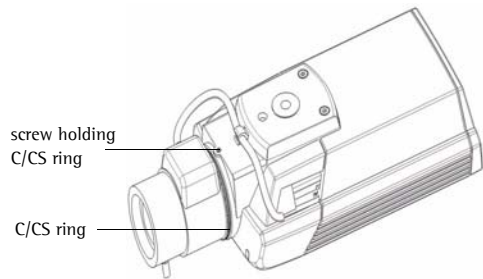
### Note:

The DC-Iris should always be disabled while focusing the camera. This opens the iris to its maximum, which gives the smallest depth of field and thus the best conditions for correct focusing. When the focus is set with this method it will then be maintained in any light conditions.

### Back focus adjustment

When the lens is changed to a non-standard lens or when the focus achieved using the instructions above is not satisfactory, perform back focus adjustment as follows:

1. Loosen the screw that holds the C/CS-ring. C is standard for AXIS 223M and CS for AXIS 221.
2. Direct the camera towards an object at least 7 meters away, set the zoom puller to max wide and check if it is possible to focus the lens.
3. Set the zoom puller to max tele and again check if it is possible to focus the lens.
4. Direct the camera towards a close object, about 30cm away, and set the zoom puller to max wide and check if it is possible to focus the lens.  
Set the zoom puller to max tele and again check if it is possible to focus the lens.
5. If it is not possible to focus the lens in any of the four situations above, adjust the C/CS-ring, and go back to step 2.
6. Tighten the screw that holds the C/CS-ring again.
7. After making the back focus adjustment as explained above, adjust the zoom and focus position for the desired view.



Underside of the camera

## Other methods of setting the IP address

The table below shows the other methods available for setting or discovering the IP address. All methods are enabled by default, and all can be disabled.

	Operating system	Notes
UPnP™	Windows (ME or XP)	When enabled on your computer, the camera is automatically detected and added to "My Network Places."
Bonjour	MAC OSX (10.4 or later)	Applicable to browsers with support for Bonjour. Navigate to the Bonjour bookmark in your browser (e.g. Safari) and click on the link to access the camera's web pages.
AXIS Dynamic DNS Service	All	A free service from Axis that allows you to quickly and simply install your camera. Requires an Internet connection with no HTTP proxy. See <a href="http://www.axiscam.net">www.axiscam.net</a> for more information.
ARP/Ping	All	See below. The command must be issued within 2 minutes of connecting power to the camera.
View DHCP server admin pages	All	To view the admin pages for the network DHCP server, see the server's own documentation.

### Set the IP address with ARP/Ping

1. Acquire an IP address on the same network segment your computer is connected to.
2. Locate the serial number (S/N) on the AXIS 221/223M label.
3. Open a command prompt on your computer and enter the following commands:

Windows syntax	Windows example
<pre>arp -s &lt;IP Address&gt; &lt;Serial Number&gt; ping -l 408 -t &lt;IP Address&gt;</pre>	<pre>arp -s 192.168.0.125 00-40-8c-18-10-00 ping -l 408 -t 192.168.0.125</pre>
UNIX/Linux/Mac syntax	UNIX/Linux/Mac example
<pre>arp -s &lt;IP Address&gt; &lt;Serial Number&gt; temp ping -s 408 &lt;IP Address&gt;</pre>	<pre>arp -s 192.168.0.125 00:40:8c:18:10:00 temp ping -s 408 192.168.0.125</pre>

4. Check that the network cable is connected to the camera and then start/restart the camera, by disconnecting and reconnecting power.
5. Close the command prompt when you see 'Reply from 192.168.0.125: ...' or similar.
6. In your browser, type in <http://<IP address>> in the Location/Address field and press Enter on your keyboard.

### Notes:

- To open a command prompt in Windows: from the Start menu, select Run... and type cmd. Click OK.
- To use the ARP command on a Mac OS X, use the Terminal utility in Application > Utilities.

## Unit connectors

**Network connector** - RJ-45 Ethernet connector. Supports Power over Ethernet. Using shielded cables is recommended.

**Power connector** - For the supplied power adapter, PS-K, 9W. The center pin is positive (+).

**Audio in** - 3.5mm input for a mono microphone, or a line-in mono signal (left channel is used from a stereo signal).

**Audio out** - Audio output (line level) that can be connected to a public address (PA) system or an active speaker with a built-in amplifier. A pair of headphones can also be attached. A stereo connector must be used for the audio out.

### Note:

Audio connectors are present only in AXIS 223M.

## 10 pin I/O terminal connector block

Pin	Function	Description
1	Output A	On the external device output terminals (A and B), there is no distinction between positive and negative (+ and -). The terminals use a photocoupler and are electrically isolated from the other internal circuitry. The maximum load should not exceed 100mA and the maximum voltage should be not more than 50 VDC or 35 VAC.
2	Output B	
3	Digital Input 1 Photocoupler Anode (+)	Photocoupled Input 1. Electrically isolated from the chassis and connectors, this input can be supplied from an external DC voltage or the DC Power Input/Output on pins 9 (DC+) and 10 (GND).
4	Digital Input 1 Photocoupler Cathode (-)	
5	Digital Input 2 Photocoupler Anode (+)	Photocoupled Input 2. As above.
6	Digital Input 2 Photocoupler Cathode (-)	
7	RS-485-A (non-inverting)	A half-duplex RS-485 interface for controlling auxiliary equipment.
8	RS-485-B (inverting)	
9	DC+ Power Output	This can drive the photocoupler inputs or other equipment. The output voltage level is 3.0 V. A maximum current of 100mA can be sourced from the DC output.
10	GND	Ground

## Accessing the AXIS 221/223M from the Internet

Once installed, your AXIS 221/223M is accessible on your local network (LAN). To access the camera from the Internet, network routers must be configured to allow incoming traffic, which is usually done on a specific port. Please refer to the documentation for your router for further instructions. For more information on this and other topics, visit the Axis Support Web at [www.axis.com/techsup](http://www.axis.com/techsup)

## Resetting to the Factory Default Settings

This will reset all parameters, including the IP address, to the Factory Default settings:

1. Disconnect power from the camera.
2. Press and hold the Control button and reconnect power.
3. Keep the Control button pressed until the Status indicator displays amber (this may take up to 15 seconds), then release the button.
4. When the Status indicator displays green (which can take up to 1 minute) the process is complete and the camera has been reset.
5. Re-assign the IP address, using one of the methods described in this document.

It is also possible to reset parameters to the original factory default settings via the web interface. For more information, please see the online help or the user's manual.

## Further information

The user's manual is available from the Axis Web site at [www.axis.com](http://www.axis.com) or from the Axis Network Video Product CD supplied with this product.

**Tip!**

Visit [www.axis.com/techsup](http://www.axis.com/techsup) to check if there is updated firmware available for your AXIS 221/223M. To see the currently installed firmware version, see the Basic Configuration web page in the product's Setup tools.

# AXIS 221/223M

## Guide d'installation

Ce guide d'installation vous explique comment installer l'AXIS 221/223M sur votre réseau. Pour d'autres informations sur l'utilisation de ce produit, consultez le Manuel de l'utilisateur, disponible sur le CD fourni ou sur [www.axis.com/techsup](http://www.axis.com/techsup).

### Étapes de l'installation

1. Vérifiez le contenu de la livraison à l'aide de la liste ci-dessous.
2. Présentation du matériel. Reportez-vous à la page 16.
3. Branchez les câbles. Reportez-vous à la page 17.
4. Paramétrez une adresse IP. Reportez-vous à la page 18.
5. Définissez le mot de passe. Reportez-vous à la page 21.

**Important !**  
Ce produit doit être utilisé conformément aux lois et dispositions locales en vigueur.

FRANCAIS

### 1 Contenu de l'emballage

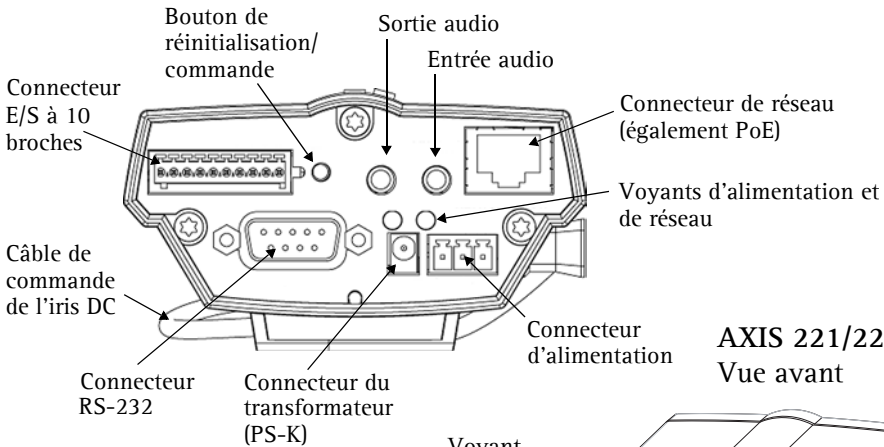
Article	Modèles/variantes/remarques
Caméra réseau	Caméra réseau AXIS 221 Caméra réseau AXIS 223M
	Bague adaptatrice pour objectif CS (AXIS 223M uniquement)
Alimentation intérieure PS-K	dépend du pays
Connecteur pour terminaux	Connecteur 10 broches pour la connexion d'équipements externes au connecteur E/S Connecteur 3 broches pour la connexion de l'alimentation au connecteur d'alimentation 3 broches
CD	CD AXIS Network Video Product avec la documentation du produit, les outils d'installation et d'autres logiciels
Documentation imprimée	AXIS 221/223M Guide d'installation (le présent document) Document de garantie d'Axis

### Important !

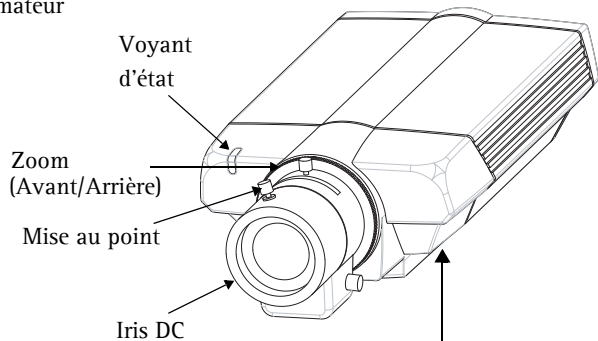
Pour pouvoir être utilisée à l'extérieur, la AXIS 221/223M doit être placée dans un caisson de protection. Pour plus d'informations sur les caissons de protection et sur d'autres accessoires, visitez le site [www.axis.com](http://www.axis.com).

## 2 Présentation du matériel

### AXIS 223M - Vue arrière

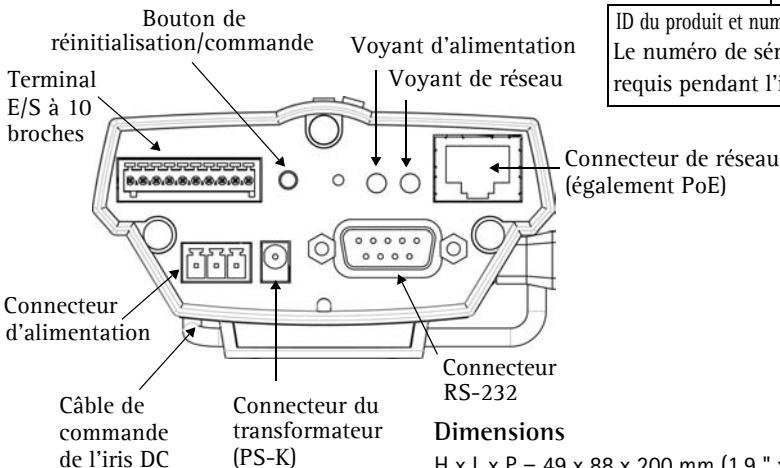


### AXIS 221/223M- Vue avant



ID du produit et numéro de série (S/N).  
Le numéro de série peut être requis pendant l'installation.

### AXIS 221 - Vue arrière



### Dimensions

H x L x P = 49 x 88 x 200 mm (1,9 " x 3,5 " x 7,9 ")

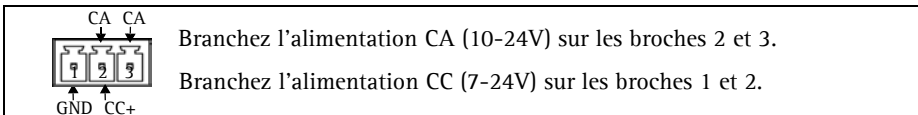
Poids = 620 g (21,9 oz) (alimentation non incluse)



### 3 Branchement des câbles

1. Connectez la caméra à votre réseau à l'aide d'un câble de réseau blindé.
2. Si vous le souhaitez, connectez des dispositifs d'entrée/sortie externes, par exemple des dispositifs d'alarme. Reportez-vous à la page 26 pour plus d'informations sur les broches du connecteur E/S.
3. Si vous le souhaitez, connectez un haut-parleur actif et/ou un microphone externe (AXIS 223M uniquement).
4. Branchez l'alimentation à l'aide de l'une des 3 méthodes reprises ci-dessous.
  - PoE (Power over Ethernet). Si elle est disponible, cette option est automatiquement détectée lorsque le câble réseau est branché (voir ci-dessus).
  - Branchez le transformateur fourni au connecteur d'alimentation\* de la caméra.
  - Connecteur d'alimentation 3 broches sur le panneau arrière.  
Consultez la figure ci-dessous.
5. Vérifiez que les DEL indiquent les conditions correctes. Pour plus d'informations, consultez le tableau ci-dessous. Notez que certains témoins DEL peuvent être désactivés et éteints.

#### Connecteur d'alimentation à 3 broches



#### Témoins DEL

DEL	Couleur	Description
Réseau	Vert	Continu en cas de connexion à un réseau 100 Mbits/s. Clignote en cas d'activité réseau.
	Orange	Continu en cas de connexion à un réseau 10 Mbits/s. Clignote en cas d'activité réseau.
	Éteint	Pas de connexion.
État	Vert	Vert continu en cas de fonctionnement normal. <b>Remarque :</b> Le voyant d'état peut être configuré pour être éteint au cours du fonctionnement normal, ou pour clignoter uniquement lors des accès à la caméra. Reportez-vous à l'aide en ligne pour plus d'informations. Cliquez sur <b>Setup &gt; System Options &gt; LED settings</b> .
	Orange	En continu pendant la réinitialisation des valeurs d'usine ou des paramètres.
	Rouge	Clignote lentement en cas d'échec de la mise à niveau.
Alimentation	Vert	Fonctionnement normal.
	Orange	Clignote en vert/orange pendant la mise à niveau du microprogramme.



\* Utilisez uniquement le bloc d'alimentation PS-K fourni

## 4 Attribution d'une adresse IP

Pour que l'appareil AXIS 221/223M soit accessible sur le réseau, vous devez lui affecter une adresse IP.

Selon le nombre de caméras à installer, pour attribuer des adresses IP sous Windows, il est recommandé d'utiliser **AXIS IP Utility** ou **AXIS Camera Management**. Employez l'application qui vous convient le mieux.

Ces deux applications gratuites sont disponibles sur le CD de la caméra vidéo réseau Axis fourni avec ce produit. Vous pouvez également les télécharger à partir du site [www.axis.com/techsup](http://www.axis.com/techsup).

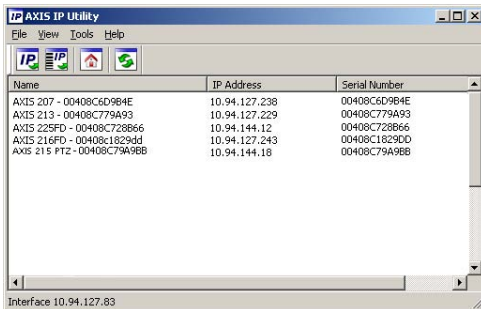
Méthode	Recommandée pour	Système d'exploitation
 <b>AXIS IP Utility</b> Voir page 19	Une seule caméra Les petites installations	Windows
 <b>AXIS Camera Management</b> Voir page 20	Plusieurs caméras Les grandes installations Installation sur un autre sous-réseau	Windows 2000 Windows XP Pro Windows 2003 Server

### Remarques :

- Un serveur DHCP réseau est fourni en option.
- L'adresse IP par défaut de l'appareil AXIS 221/223M est 192.168.0.90.
- En cas d'échec de l'attribution de l'adresse IP, vérifiez qu'aucun pare-feu ne bloque l'opération.
- Pour connaître les autres méthodes d'affectation ou de repérage de l'adresse IP de la caméra AXIS 221/223M, par exemple sur d'autres systèmes d'exploitation, reportez-vous à la page page 24.

## AXIS IP Utility - Une seule caméra/petite installation

L'utilitaire AXIS IP Utility détecte et affiche automatiquement les périphériques Axis de votre réseau. Cette application sert également à attribuer manuellement une adresse IP statique.




Notez que l'ordinateur exécutant l'application AXIS IP Utility doit se trouver sur le même segment de réseau (sous-réseau physique) que l'appareil AXIS 221/223M.

### Détection automatique

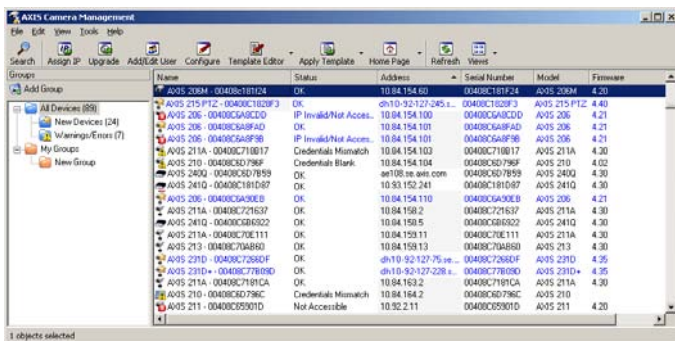
1. Vérifiez que l'appareil AXIS 221/223M est connecté au réseau et que l'alimentation est activée.
2. Démarrez AXIS IP Utility.
3. Lorsque l'icône de la caméra apparaît dans la fenêtre, double-cliquez dessus pour ouvrir la page d'accueil correspondante.
4. Consultez la page 21 pour savoir comment définir le mot de passe.

### Affectez manuellement l'adresse IP

1. Trouvez une adresse IP inutilisée sur le même segment de réseau que celui de votre ordinateur.
2. Cliquez sur le bouton  Assign IP address using serial number (Affecter l'adresse IP en utilisant le numéro de série), puis saisissez le numéro de série et l'adresse IP de la AXIS 221/223M. Le numéro de série se trouve sur l'étiquette du produit.
3. Cliquez sur le bouton Assign (Affecter) et suivez les instructions.
4. Cliquez sur le bouton Home Page (Page d'accueil) pour accéder aux pages Web de la caméra.
5. Consultez la page 21 pour savoir comment définir le mot de passe.

## AXIS Camera Management – Plusieurs caméras/grandes installations

AXIS Camera Management détecte et définit automatiquement les adresses IP, affiche les états de connexion et gère les mises à niveau de microprogrammes de nombreux produits vidéo Axis.



### Détection automatique

1. Vérifiez que la caméra est connectée au réseau et que l'alimentation est activée.
2. Démarrez AXIS Camera Management. Double-cliquez sur l'icône AXIS 221/223M, lorsqu'elle apparaît dans la fenêtre de façon à ouvrir la page d'accueil.
3. Consultez la page 21 pour savoir comment définir le mot de passe.

### Paramétrez l'adresse IP sur plusieurs appareils

AXIS Camera Management accélère le processus d'affectation d'adresses IP sur plusieurs appareils en suggérant les adresses IP parmi une plage spécifiée.

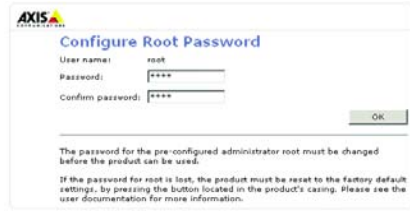
1. Sélectionnez les appareils à configurer (il peut s'agir de plusieurs modèles), puis cliquez sur le bouton **Assign IP** (Affecter une adresse IP).
2. Sélectionnez **Obtain IP addresses automatically (DHCP)** (Obtenir les adresses IP automatiquement (DHCP)), puis cliquez sur le bouton **Update** (Mettre à jour). L'application effectue une recherche dans la plage indiquée et suggère une adresse IP pour chaque appareil.

-ou-

Saisissez la plage d'adresses IP, le masque de sous-réseau et le routeur par défaut que les appareils peuvent utiliser, puis cliquez sur le bouton **Update** (Mettre à jour).

## 5 Définition du mot de passe

Si vous accédez à la caméra AXIS 221/223M pour la première fois, la boîte de dialogue « **Configure Root Password** » (Configurer le mot de passe root) s'affiche à l'écran.



1. Entrez un mot de passe et entrez-le une seconde fois pour en confirmer l'orthographe. Cliquez sur OK.
2. Saisissez le nom d'utilisateur root dans la boîte de dialogue.  
Remarque: Le nom d'utilisateur par défaut de l'administrateur, à savoir root, ne peut pas être supprimé.
3. Entrez le mot de passe comme expliqué ci-dessus, puis cliquez sur OK. Si vous avez oublié votre mot de passe, vous devrez rétablir les paramètres d'usine par défaut de la caméra AXIS 221/223M. Reportez-vous à la page 27.
4. Si nécessaire, cliquez sur Yes (oui) pour installer AMC (Axis Media Control) afin de pouvoir visualiser le flux vidéo dans Internet Explorer. Pour ce faire, vous devrez être connecté à votre ordinateur avec les droits d'administrateur.

La page Live View (Vidéo en direct) de la caméra AXIS 221/223M s'affiche, avec des liens vers les outils de configuration pour adapter la caméra à vos besoins.

Setup (Configuration) - Contient tous les outils nécessaires pour adapter la caméra à vos besoins.

Help (Aide)  
Affiche l'aide en ligne



## Réglage de l'image et du focus

Régler la position des lentilles.

1. Ouvrez la page Live View via votre navigateur WEB.
2. Vérifiez la qualité de l'image dans le live view, et régler les lentilles sur la position désirée.

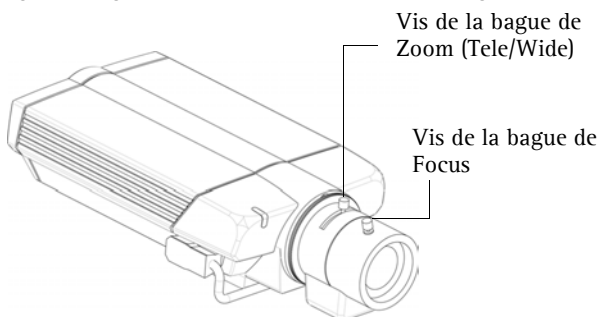
Mise au point de l'AXIS 221/223M :

1. Ouvrez la page Focus Adjustment (Réglage et mise au point) de l'interface Web sous Basic Configuration > Focus (Configuration de base - Mise au point) et suivez les instructions à l'écran.
2. Placer le paramètre DC-IRIS sur Disabled puis cliquez sur Save.
3. Dévissez la vis de la bague du ZOOM de l'objectif en tournant dans le sens inverse des aiguilles d'une montre, puis régler la bague de Zoom.
4. Revissez la vis de la bague du Zoom.
5. Dévissez la vis de la bague de focus de l'objectif en tournant dans le sens inverse des aiguilles d'une montre, puis régler la bague de focus. Revissez la vis de la bague de focus.
6. Placer le paramètre DC-IRIS sur Enabled puis cliquez sur Save.

### Note:

Le paramètre DC-IRIS doit toujours être désactivé lors de la mise au point de la caméra. Cela ouvre l'IRIS à son maximum, ce qui permet d'avoir la plus petite profondeur de champ, et

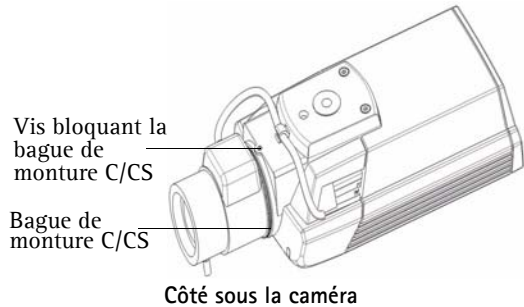
donc les meilleures conditions pour le réglage du focus. Lorsque le focus est réglé avec cette méthode, il sera conservé quelques soit les conditions de luminosités.



## Réglage du Focus en arrière plan :

Lorsque l'objectif est remplacé par un objectif non standard ou lorsque la mise au point en suivant les instructions n'est pas satisfaisante, réalisez les réglages suivants :

1. Dévissez la vis bloquant la bague de monture C/CS. La monture C est standard pour l'AXIS 223M et La monture CS pour l'AXIS 221.
2. Positionnez la caméra vers un objet à au moins 7 mètres de distance, réglez la bague de ZOOM en plan Large (Sans ZOOM) et vérifiez si il est possible de faire la mise au point de l'objectif.
3. Réglez la bague de ZOOM au maximum et vérifiez encore si il est possible de faire la mise au point du focus.
4. Positionnez la caméra vers un objet à au moins 30 centimètres de distance, réglez la bague de ZOOM en plan Large (Sans ZOOM) et vérifiez si il est possible de faire la mise au point de l'objectif. Réglez la bague de ZOOM au maximum et vérifiez encore si il est possible de faire la mise au point du focus.
5. Si il est impossible de faire la mise au point de l'objectif dans aucune des quatres situations décrites ci-dessus, réglez la bague de monture C/CS et refaire les tests à partir de l'étape 2.
6. Vissez la vis bloquant la bague de monture C/CS.
7. Après avoir réglé le focus arrière plan comme décrit ci-dessus, réglez le ZOOM et le focus sur la vue désirée.



## Autres méthodes de définition de l'adresse IP

Le tableau ci-dessous indique les autres méthodes permettant de définir ou de déterminer l'adresse IP. Toutes les méthodes sont activées par défaut et désactivables.

	Système d'exploitation	Remarques
UPnP™	Windows (ME ou XP)	Lorsque la caméra est activée sur votre ordinateur, elle est détectée et ajoutée automatiquement au dossier Favoris réseau.
Bonjour	MAC OSX (10.4 ou version ultérieure)	Applicable aux navigateurs prenant en charge Bonjour. Accédez au raccourci de Bonjour dans votre navigateur (par exemple, Safari), puis cliquez sur le lien pour accéder aux pages Web de la caméra.
AXIS Dynamic DNS Service	Tous	Service Axis gratuit vous permettant d'installer rapidement votre caméra en toute simplicité. Nécessite une connexion Internet sans proxy HTTP Pour plus d'informations, visitez le site <a href="http://www.axiscam.net">www.axiscam.net</a> .
ARP/Ping	Tous	Reportez-vous aux instructions ci-dessous. La commande doit être saisie dans les 2 minutes suivant la connexion de l'alimentation à la caméra.
Consultation des pages administratives du serveur DHCP	Tous	Pour consulter les pages administratives du serveur DHCP réseau, reportez-vous à la documentation du serveur.



## Définition de l'adresse IP à l'aide d'ARP/Ping

1. Trouvez une adresse IP inutilisée sur le même segment de réseau que celui de votre ordinateur.
2. Repérez le numéro de série (S/N) sur l'étiquette de la caméra AXIS 221/223M.
3. Ouvrez une invite de commande sur votre ordinateur et entrez les commandes suivantes:

Syntaxe pour Windows	Exemple pour Windows
arp -s <adresse IP> <numéro de série> ping -l 408 -t <adresse IP>	arp -s 192.168.0.125 00-40-8c-18-10-00 ping -l 408 -t 192.168.0.125
Syntaxe pour UNIX/Linux/Mac	Exemple pour UNIX/Linux/Mac
arp -s <adresse IP > <numéro de série> temp ping -s 408 <adresse IP>	arp -s 192.168.0.125 00:40:8c:18:10:00 temp ping -s 408 192.168.0.125

4. Vérifiez que le câble réseau est connecté à la caméra, puis démarrez/redémarrez cette dernière en débranchant, puis en rebranchant l'alimentation.
5. Fermez l'invite de commande quand vous voyez « Reply from 192.168.0.125: ... » (Réponse de 192.168.0.125 : ...) ou un message similaire.
6. Dans votre navigateur, tapez http://<adresse IP> dans le champ Emplacement/Adresse, puis appuyez sur Entrée sur le clavier.

### Remarques :

- Pour ouvrir une invite de commande sous Windows : dans le menu Démarrer, sélectionnez Exécuter et tapez cmd. Cliquez sur OK.
- Pour utiliser la commande ARP sur Mac OS X, utilisez l'utilitaire Terminal dans Application > Utilitaires.

## Connecteurs de l'unité

**Connecteur de réseau** - Connecteur Ethernet RJ-45. Prend en charge la technologie PoE (Power over Ethernet). Il est recommandé d'utiliser des câbles blindés.

**Connecteur** - Miniconnecteur CC. 5,1 V CC, jusqu'à 3,6 W. Reportez-vous à l'étiquette du produit pour connaître la connexion  $\pm$ .

**Entrée audio** - Entrée 3,5 mm pour microphone mono ou entrée de ligne pour signal mono (le canal de gauche est utilisé pour un signal stéréo).

**Sortie audio** - Sortie audio (niveau de ligne) pouvant être connectée à un système de sonorisation ou à un haut-parleur actif avec amplificateur intégré. Un casque peut également être connecté. Pour une sortie audio, un connecteur stéréo doit être utilisé.

## Connecteur pour terminaux E/S à 10 broches

Broche	Fonction	Description
1	Sortie A	Sur les terminaux de sortie externes (A et B), il n'y a aucune distinction entre le positif et le négatif (+ et -). Les terminaux utilisent un photocoupleur et sont isolés électriquement de l'autre circuit interne. La charge maximale autorisée est de 100 mA et la tension maximale ne doit pas dépasser 50 Vcc ou 35 Vac.
2	Sortie B	
3	Entrée numérique 1 Anode de photocoupleur (+)	Entrée photocouplée 1. Isolée électriquement du bâti et des connecteurs, cette entrée peut être fournie par une alimentation CC externe ou par l'entrée/la sortie CC sur des broches 9 (CC+) et 10 (GND - mise à la terre).
4	Entrée numérique 1 Cathode de photocoupleur (-)	
5	Entrée numérique 2 Anode de photocoupleur (+)	Entrée photocouplée 2. Comme ci-avant.
6	Entrée numérique 2 Cathode de photocoupleur (-)	
7	RS-485-A (non inverseuse)	Une interface RS-485 bidirectionnelle non simultanée pour commander le matériel auxiliaire.
8	RS-485-B (inverseuse)	
9	Sortie CC+	Peut alimenter les entrées du photocoupleur ou d'autres équipements. Le niveau de la tension de sortie est de 3 V. La sortie CC peut donner une intensité maximale de 100 mA.
10	GND	Terre

## Accès à la caméra AXIS 221/223M depuis Internet

Une fois installée, votre caméra AXIS 221/223M est accessible depuis votre réseau local (LAN). Pour accéder à la caméra depuis Internet, vous devez configurer les routeurs réseau afin d'autoriser l'entrée de données, ce qui se fait généralement sur un port spécifique. Consultez la documentation de votre routeur pour obtenir davantage d'instructions. Pour de plus amples informations, visitez le site de support d'Axis à l'adresse [www.axis.com/techsup](http://www.axis.com/techsup).

## Rétablissement des paramètres d'usine par défaut

Procédez comme suit pour revenir aux paramètres par défaut définis en usine et réinitialiser l'adresse IP :

1. Débranchez l'alimentation de la caméra.
2. Maintenez le bouton de commande enfoncé et rebranchez l'alimentation.
3. Maintenez le bouton enfoncé jusqu'à ce que le voyant d'état passe à l'orange (cela peut prendre 15 secondes), puis relâchez le bouton.
4. Lorsque le voyant d'état émet une lumière verte (ce qui peut prendre 1 minute), les paramètres par défaut de la caméra ont été rétablis.
5. Réaffectez l'adresse IP à l'aide de l'une des méthodes décrites dans ce document.

Il est également possible de rétablir les paramètres usine par défaut d'origine via l'interface Web. Pour plus d'informations, reportez-vous à l'aide en ligne ou au Manuel de l'utilisateur.

## Plus d'informations

Le Manuel de l'utilisateur est disponible sur le site Web d'Axis, [www.axis.com](http://www.axis.com), ou sur le CD du produit vidéo réseau Axis fourni avec l'appareil.

### Conseil :

Visitez le site [www.axis.com/techsup](http://www.axis.com/techsup) pour vérifier si des microprogrammes mis à jour sont disponibles pour votre appareil AXIS 221/223M. Pour connaître la version du microprogramme actuellement installée, reportez-vous à la page Web Basic Configuration (Configuration de base) dans les outils de configuration du produit.



# AXIS 221/223M Installationsanleitung

In dieser Anleitung wird die Installation der AXIS 221/223M in einem Netzwerk beschrieben. Alle weiteren Hinweise zur Verwendung des Produkts finden Sie im Benutzerhandbuch, das auf der mitgelieferten CD oder auf unserer Webseite unter [www.axis.com/techsup](http://www.axis.com/techsup) zur Verfügung steht.

## Installationsschritte

1. Prüfen Sie, ob alle in der nachfolgenden Liste aufgeführten Komponenten vorhanden sind.
2. Hardwareübersicht: Siehe Seite 30.
3. Schließen Sie die Kabel an. Siehe Seite 31.
4. Legen Sie eine IP-Adresse fest. Siehe Seite 32.
5. Legen Sie ein Kennwort fest. Siehe Seite 35.

**Wichtiger Hinweis!**  
Verwenden Sie dieses Produkt nur gemäß der geltenden rechtlichen Bestimmungen.

DEUTSCH

## 1 Lieferumfang

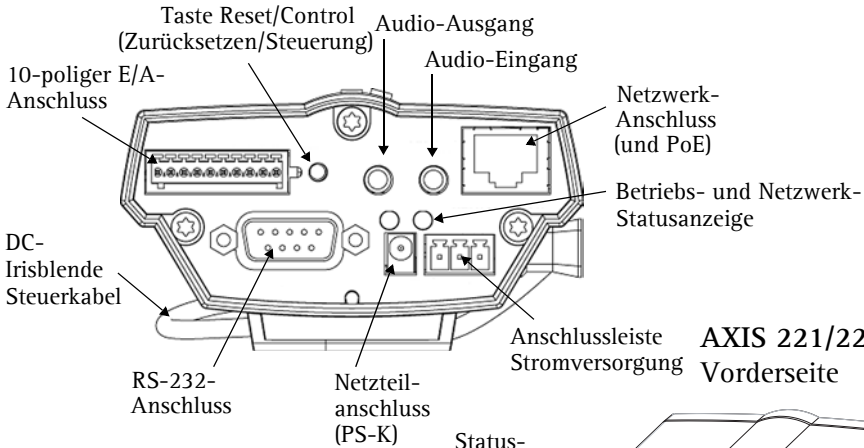
Komponente	Modelle/Varianten/Anmerkungen
Netzwerkamera	AXIS 221 Netzwerkamera AXIS 223M Netzwerkamera
	Adapterring für CS-Objektiv (nur AXIS 223M)
PS-K Netzteil für geschlossene Räume	landesspezifisch
Anschlussleiste	10-polige Klemmleiste zum Verbinden externer Geräte mit dem E/A-Anschluss 3-polige Anschlussleiste für die Stromversorgung über den 3-poligen Stromanschluss
CD	CD für AXIS-Netzwerkvideoprodukte einschließlich Produktdokumentation, Installationstools und anderer Software
GEDruckte Dokumente	AXIS 221/223M Installationshandbuch (dieses Dokument) Axis-Garantierklärung

## Wichtig!

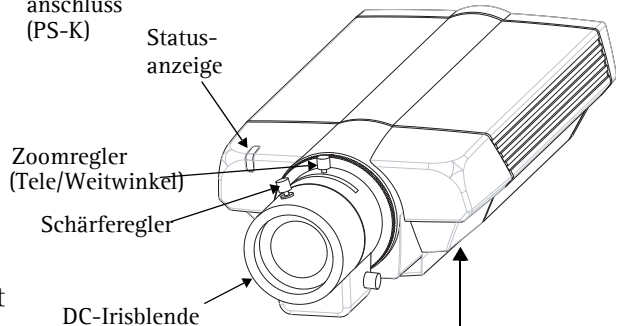
Für die Benutzung im Freien muss die AXIS 221/223M in ein Schutzgehäuse eingebaut werden. Weitere Informationen zum Schutzgehäuse und sonstigem Zubehör finden Sie unter [www.axis.com](http://www.axis.com).

## 2 Hardwareübersicht

### AXIS 223M – Rückansicht

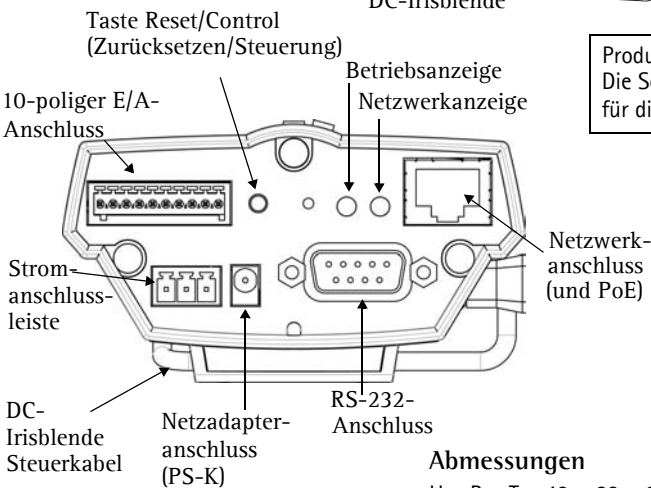


### AXIS 221/223M- Vorderseite



Produkt- und Seriennummer (S/N)  
Die Seriennummer wird für die Installation benötigt.

### AXIS 221 – Rückansicht



### Abmessungen

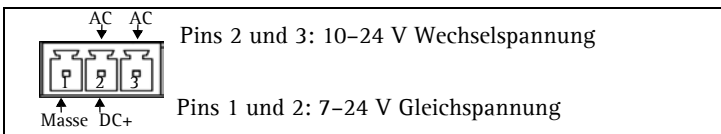
H × B × T = 49 × 88 × 200 mm

Gewicht = 620 g (ohne Netzteil)

### 3 Kabel anschließen

1. Verbinden Sie die Kamera über ein geschirmtes Netzwerkabel mit dem Netzwerk.
2. Sie können zusätzlich externe Ein- und Ausgabegeräte, wie z. B. Alarmanlagen, anschließen. Informationen zur Anschlussbelegung finden Sie auf Seite 39.
3. Sie können zusätzlich einen Aktivlautsprecher und/oder ein externes Mikrofon (nur bei AXIS 223M) anschließen.
4. Schließen Sie die Kamera auf eine der folgenden Arten an die Stromversorgung an:
  - PoE (Power over Ethernet). Wenn diese Option verfügbar ist, wird dies automatisch erkannt, sobald das Netzwerkabel angeschlossen wird (siehe oben).
  - Schließen Sie das mitgelieferte Netzteil an den Netzanschluss der Kamera an\*.
  - Die 3-polige Anschlussleiste auf der Rückseite. Siehe Abbildung unten.
5. Überprüfen Sie, ob die LED-Anzeigen die korrekten Betriebszustände zeigen. Weitere Informationen finden Sie in der Tabelle unten. Beachten Sie, dass LEDs deaktiviert sein können und deshalb nicht leuchten.

#### 3-polige Anschlussleiste für die Stromversorgung



DEUTSCH

#### LED-Anzeigen

LED	Farbe	Beschreibung
Netzwerk	Grün	Konstant bei Netzwerkverbindung mit 100 Mbit/s. Blinkt bei Netzwerkaktivität.
	Gelb	Konstant bei Netzwerkverbindung mit 10 Mbit/s. Blinkt bei Netzwerkaktivität.
	Leuchtet nicht	Keine Verbindung.
Status	Grün	Leuchtet bei normalem Betrieb konstant grün. <b>Hinweis:</b> Die Status-anzeige kann so konfiguriert werden, dass sie bei normalem Betrieb nicht leuchtet oder nur dann aufblinkt, wenn auf die Kamera zugegriffen wird. Nähere Informationen dazu finden Sie in der Online-Hilfe. Wählen Sie <b>Setup &gt; System Options &gt; LED settings</b>
	Gelb	Leuchtet konstant beim Start und beim Wiederherstellen der Werkseinstellungen bzw. von vorherigen Einstellungen.
	Rot	Blinkt langsam bei Aktualisierungsfehler.
Betrieb	Grün	Normalbetrieb.
	Gelb	Blinkt grün/gelb bei Firmware-Aktualisierung.



\* verwenden Sie nur das mitgelieferte PS-K Netzteil

## 4 IP-Adresse zuweisen

Der AXIS 221/223M muss eine IP-Adresse zugewiesen werden, damit sie im Netzwerk verfügbar ist.

Von der Anzahl der zu installierenden Kameras hängt ab, ob die IP-Adressen unter Windows mit Hilfe von **AXIS IP Utility** oder **AXIS Camera Management** zugewiesen werden sollten. Verwenden Sie die für Ihre Zwecke geeignete Methode.

Beide Anwendungen stehen kostenlos auf der mitgelieferten CD für Axis-Netzwerkvideoprodukte zur Verfügung oder können unter [www.axis.com/techsup](http://www.axis.com/techsup) heruntergeladen werden.

Methode	Empfohlen für	Betriebssystem
 AXIS IP Utility Siehe Seite 33	Einzelne Kamera Kleine Installationen	Windows
 AXIS Camera Management Siehe Seite 34	Mehrere Kameras Große Installationen Installation in einem anderen Subnetz	Windows 2000 Windows XP Pro Windows 2003 Server

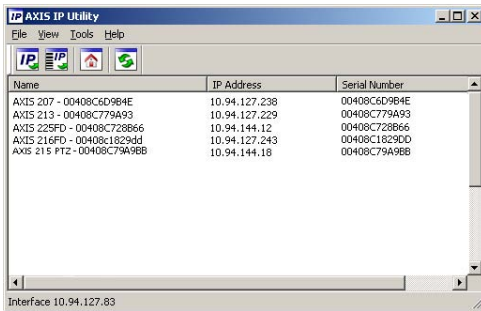
### Hinweise:

- Optional kann ein DHCP-Server im Netzwerk genutzt werden.
- Die Standard-IP-Adresse der AXIS 221/223M lautet 192.168.0.90.
- Falls Sie die IP-Adresse nicht zuweisen können, müssen ggf. die Einstellungen der Firewall überprüft werden.
- Weitere Informationen zu alternativen Methoden zum Festlegen der IP-Adresse der AXIS 221/223M (z. B. in anderen Betriebssystemen) finden Sie auf Seite 38.



## AXIS IP Utility – Einzelne Kamera/Kleine Installation

AXIS IP Utility erkennt automatisch im Netzwerk vorhandene Axis-Geräte und zeigt diese an. Die Anwendung kann außerdem zur manuellen Zuweisung einer statischen IP-Adresse verwendet werden.




Beachten Sie, dass sich die AXIS 221/223M und der Computer, auf dem AXIS IP Utility ausgeführt wird, im gleichen Netzwerksegment (physisches Subnetz) befinden müssen.

### Automatische Erkennung

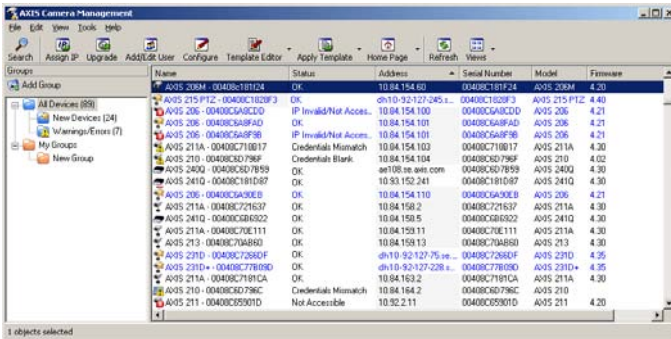
1. Stellen Sie sicher, dass die AXIS 221/223M an das Netzwerk und an die Stromversorgung angeschlossen ist.
2. Starten Sie AXIS IP Utility.
3. Doppelklicken Sie auf das Symbol der Kamera, um die entsprechende Startseite zu öffnen.
4. Anweisungen zum Festlegen des Kennworts finden Sie auf Seite 35.

### Manuelle Zuweisung der IP-Adresse

1. Wählen Sie eine nicht zugewiesene IP-Adresse im gleichen Netzwerksegment, in dem sich Ihr Computer befindet.
2. Klicken Sie auf die Schaltfläche  **Assign new IP address using serial number** (Neue IP-Adresse über Seriennummer festlegen), und geben Sie Seriennummer sowie IP-Adresse der AXIS 221/223M ein. Die Seriennummer befindet sich auf dem Produktaufkleber.
3. Klicken Sie auf die Schaltfläche **Assign** (IP-Adresse festlegen), und folgen Sie den Anweisungen.
4. Klicken Sie auf die Schaltfläche **Home Page** (Startseite), um auf die Webseiten der Kamera zuzugreifen.
5. Anweisungen zum Festlegen des Kennworts finden Sie auf Seite 35.

## AXIS Camera Management – Mehrere Kameras/Große Installation

Mit AXIS Camera Management können automatisch IP-Adressen gesucht und eingerichtet, der Verbindungsstatus angezeigt und die Firmware-Aktualisierungen mehrerer Axis-Videoprodukte verwaltet werden.



### Automatische Erkennung

1. Stellen Sie sicher, dass die Kamera an das Netzwerk und an die Stromversorgung angeschlossen ist.
2. Starten Sie AXIS Camera Management. Klicken Sie mit der rechten Maustaste auf das Symbol der AXIS 221/223M und wählen Sie "Live View Home Page" um die Startseite der Kamera zu öffnen.
3. Anweisungen zum Festlegen des Kennworts finden Sie auf Seite 35.

### IP-Adresse für mehrere Geräte festlegen

AXIS Camera Management beschleunigt die Zuordnung von IP-Adressen für mehrere Geräte, indem IP-Adressen aus einem angegebenen Bereich vorgeschlagen werden.

1. Wählen Sie die zu konfigurierenden Geräte aus (es können auch unterschiedliche Modelle gewählt werden), und klicken Sie auf das Symbol Assign IP (IP-Adresse zuweisen).
2. Wählen Sie Obtain IP addresses automatically (IP-Adressen automatisch zuweisen) (DHCP), und klicken Sie auf die Schaltfläche Update (Aktualisieren). Das Programm startet eine Suche im angegebenen Bereich und schlägt für jedes Gerät eine IP-Adresse vor.

Oder:

Geben Sie den Bereich der IP-Adressen, die Subnetzmaske und den Standardrouter für die Geräte ein, und klicken Sie auf die Schaltfläche Update (Aktualisieren).

## 5 Festlegen des Kennworts

Beim erstmaligen Zugriff auf die AXIS 221/223M wird das Dialogfeld **Configure Root Password** (Root-Kennwort konfigurieren) angezeigt.



1. Geben Sie ein Kennwort ein, und wiederholen Sie die Eingabe, um die korrekte Schreibweise zu bestätigen. Klicken Sie auf **OK**.
2. Geben Sie in das Dialogfeld als Benutzername „root“ ein. Hinweis: Der vorgegebene Administrator-Benutzername „root“ kann nicht gelöscht werden.
3. Geben Sie das zuvor festgelegte Kennwort ein, und klicken Sie auf **OK**. Wenn Sie das Kennwort vergessen haben, muss die AXIS 221/223M auf die Werkseinstellungen zurückgesetzt werden. Siehe Seite 41.
4. Klicken Sie auf **Yes (Ja)**, um AMC (AXIS Media Control) zu installieren. Nach Abschluss der Installation können Sie Video-Streams in Microsoft Internet Explorer anzeigen. Hierzu müssen Sie über Administratorrechte für den Computer verfügen.

Die Seite „Direktübertragung“ der AXIS 221/223M wird angezeigt. Sie enthält Links zu Setup-Tools, mit denen Sie die Kamera Ihren Bedürfnissen entsprechend anpassen können.

**Setup:** Hier finden Sie alle Tools, die Sie zum Anpassen der Kamera an Ihre persönlichen Anforderungen benötigen.



Hilfe: Zeigt die Online-Hilfe an.

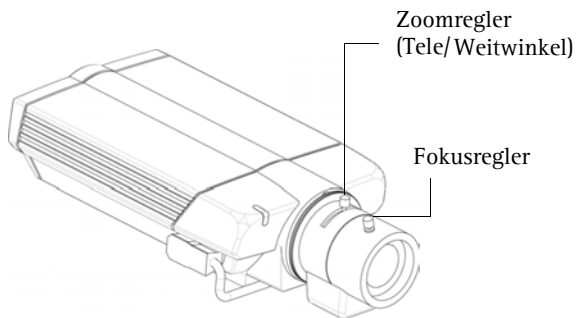
## Bild und Fokus anpassen

Ausrichten der Kamera:

1. Öffnen Sie die "Live View" Webseite in Ihrem Webbrowser.
2. Richten Sie die Kamera aus wie gewünscht.

### Zum Fokussieren der AXIS 221/223M:

1. Auf der Seite "Basic Configuration" auf den Setup Webseiten der Kamera öffnen Sie die Seite für die Fokusanpassung (Focus).
2. Schalten Sie die DC-Iris aus (disabled) und speichern Sie die Seite.
3. Lösen Sie die Feststellschraube für den Zoom Regler. Passen Sie den Zoom entsprechend an.
4. Ziehen Sie die Feststellschraube für den Zoom wieder fest.
5. Lösen Sie die Feststellschraube für den Fokus. Fokussieren Sie die Kamera. Ziehen Sie die Feststellschraube für den Fokus wieder fest.
6. Schalten Sie auf der Seite für die Fokus Anpassung die DC-Iris wieder ein (enabled) und klicken Sie auf "save".



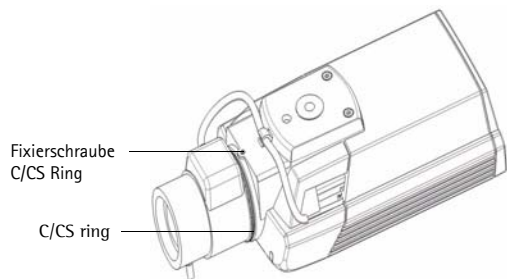
**Beachten Sie:** - Die DC-Iris sollte zum Zeitpunkt der Fokussierung der Kamera immer deaktiviert sein. Dies bedeutet, daß die Blende maximal geöffnet ist.

Dadurch wird die geringst mögliche Tiefenschärfe erreicht was optimale Bedingungen zur korrekten Fokussierung bedeutet. Wird die Kamera auf diese Weise scharf gestellt bleibt sie unter allen Lichtbedingungen korrekt fokussiert.

## Anpassen des Aufmaßes

Wenn ein anderes Objektiv verwendet wird oder wenn die Fokussierung wie oben beschrieben nicht zufriedenstellend durchgeführt werden konnte passen Sie das Aufmaß wie folgt an:

1. Lösen Sie die Schraube die den C/CS Ring fixiert. C-Mount ist Standard für die AXIS 223M und CS für die AXIS 221.
2. Richten Sie die Kamera auf ein Objekt welches mindestens 7 Meter entfernt ist, drehen Sie den Zoomregler auf maximalen Weitwinkel und prüfen Sie ob ein Fokussieren des Objektivs möglich ist.
3. Drehen Sie den Zoomregler auf die maximale Teleeinstellung und prüfen Sie erneut ob ein Fokussieren des Objektivs möglich ist.
4. Richten Sie die Kamera auf einen nahen Gegenstand, ca 30cm entfernt, drehen Sie den Zoomregler auf maximalen Weitwinkel und prüfen Sie ob es möglich ist die Kamera zu fokussieren. Drehen Sie den Zoomregler auf die maximale Teleeinstellung und versuchen Sie erneut zu fokussieren.
5. Wenn ein Fokussieren bei einem der vier oben genannten Punkte nicht möglich ist passen Sie das Aufmaß durch drehen des C/CS Rings an und beginnen Sie erneut bei Punkt 2.
6. Fixieren Sie den C/CS Ring mit Hilfe der Fixierschraube.
7. Nach der Anpassung des Aufmaßes wie oben beschrieben stellen Sie den Zoom und den Fokus für die gewünschte Sicht an.



Unterseite der Kamera

## Andere Methoden zum Festlegen der IP-Adresse

Diese Tabelle bietet einen Überblick über weitere Methoden, die IP-Adresse festzulegen bzw. zu ermitteln. Alle Methoden sind standardmäßig aktiviert und können deaktiviert werden.

	Betriebssystem	Hinweise
UPnP™	Windows (ME oder XP)	Wenn die Funktion auf dem Computer aktiviert ist, wird die Kamera automatisch erkannt und zur „Netzwerkumgebung“ hinzugefügt.
Bonjour	MAC OSX (ab Vers. 10.4)	Kann nur bei Browsern verwendet werden, die Bonjour unterstützen. Navigieren Sie zum Bonjour-Lesezeichen Ihres Browsers (z. B. Safari), und klicken Sie auf den Link, um auf die Webseiten der Kamera zu gelangen.
AXIS Dynamic DNS Service	Alle	Ein kostenloser Service von Axis, mit dem Sie Ihre Kamera schnell und einfach installieren können. Voraussetzung ist eine Internetverbindung ohne HTTP-Proxyserver. Weitere Informationen hierzu finden Sie auf <a href="http://www.axiscam.net">www.axiscam.net</a> .
ARP/Ping	Alle	Siehe unten. Der Befehl muss innerhalb von 2 Minuten erfolgen, nachdem die Kamera an das Stromnetz angeschlossen wurde.
Admin-Seiten des DHCP-Servers anzeigen	Alle	Hinweise zum Anzeigen der Administrationsseiten des DHCP-Servers im Netzwerk finden Sie in der Serverdokumentation.

### IP-Adresse per ARP/Ping zuweisen

1. Wählen Sie eine IP-Adresse aus dem Netzwerksegment, in dem sich auch Ihr Computer befindet.
2. Suchen Sie die Seriennummer (S/N) auf dem Produktaufkleber der AXIS 221/223M.
3. Öffnen Sie auf Ihrem Computer die Eingabeaufforderung, und geben Sie die folgenden Befehle ein:

<b>Syntax unter Windows:</b>	<b>Beispiel für Windows</b>
arp -s <IP-Adresse> <Seriennummer> ping -l 408 -t <IP-Adresse>	arp -s 192.168.0.125 00-40-8c-18-10-00 ping -l 408 -t 192.168.0.125
<b>Syntax unter UNIX/Linux/Mac</b>	<b>Beispiel für UNIX/Linux/Mac</b>
arp -s <IP-Adresse> <Seriennummer> temp ping -s 408 <IP-Adresse>	arp -s 192.168.0.125 00:40:8c:18:10:00 temp ping -s 408 192.168.0.125

4. Stellen Sie sicher, dass das Netzwerkkabel mit der Kamera verbunden ist, und starten Sie die Kamera bzw. starten Sie diese neu, indem Sie die Stromversorgung unterbrechen und wiederherstellen.

5. Schließen Sie die Eingabeaufforderung, sobald ‚Reply from 192.168.0.125: ...‘ oder eine ähnliche Antwort angezeigt wird.
6. Starten Sie einen Browser, geben Sie im Adressfeld „http://<IP-Adresse>“ ein, und drücken Sie die Eingabetaste auf der Tastatur.

### Hinweise:

- So öffnen Sie unter Windows die Eingabeaufforderung: Wählen Sie „Ausführen...“ im Startmenü, und geben Sie „cmd“ ein. Klicken Sie auf OK.
- Verwenden Sie zum Eingeben des Befehls „ARP“ unter Mac OS X das Dienstprogramm „Terminal“, das Sie unter „Anwendung > Dienstprogramme“ finden.

## Kameraanschlüsse

**Netzwerkanschluss** - RJ-45-Ethernetanschluss. Unterstützt PoE (Power over Ethernet). Die Verwendung von geschirmten Kabeln wird empfohlen.

**Stromanschluss** - Mini-Gleichstromanschluss. 5,1 V Gleichstrom, max. 3,6 W. Siehe Produktaufkleber bezüglich  $\pm$ -Anschluss.

**Audio-Eingang** - 3,5 mm-Eingang für Mono-Mikrofon oder Line-In-Monosignal (linker Kanal für Stereo-Signal).

**Audio-Ausgang** - Audio-Ausgang (Line-Pegel), der mit einem PA-System oder einem Aktivlautsprecher mit integriertem Verstärker verbunden werden kann. Auch der Anschluss von Kopfhörern ist möglich. Für den Audio-Ausgang muss ein Stereoanschluss verwendet werden.

## 10-polige E/A-Klemmleiste

Kontakt	Funktion	Beschreibung
1	Ausgang A	An den Ausgängen für externe Geräte (A und B) wird keine Unterscheidung zwischen Plus und Minus (+ und -) gemacht. Für die Anschlüsse wird ein Optokoppler verwendet. Sie sind gegen andere interne Schaltungen elektrisch isoliert. Die maximale Stromstärke darf 100 mA nicht überschreiten, und die Maximalspannung darf nicht mehr als 50 VDC oder 35 VAC betragen.
2	Ausgang B	
3	Digitaler Eingang 1 Optokoppler-Anode (+)	Optogekoppelter Eingang 1. Dieser Eingang ist vom Gehäuse und den Anschlüssen elektrisch isoliert und kann über eine externe Gleichspannungsquelle oder den Gleichstrom-Eingang/-Ausgang an den Pins 9 (DC+) und 10 (Masse) mit Strom versorgt werden.
4	Digitaler Eingang 1 Optokoppler-Kathode (-)	
5	Digitaler Eingang 2 Optokoppler-Anode (+)	Optogekoppelter Eingang 2. Siehe oben.
6	Digitaler Eingang 2 Optokoppler-Kathode (-)	
7	RS-485-A (nicht invertierend)	Eine Halbduplex-Schnittstelle (RS-485) zum Steuern von Zusatzausrüstung.
8	RS-485-B (invertierend)	
9	Stromausgang DC+	Über diesen Ausgang werden der Optokoppler und sonstige Ausrüstung betrieben. Die Ausgangsspannung beträgt 3,0 V. Die maximale Stromstärke des DC-Ausgangs liegt bei 100 mA.
10	GND	Masseanschluss



## Über das Internet auf die AXIS 221/223M zugreifen

Sobald die AXIS 221/223M installiert ist, können Sie über Ihr lokales Netzwerk (LAN) auf die Kamera zugreifen. Um auch über das Internet auf die Kamera zugreifen zu können, müssen Sie die Netzwerk-Router so konfigurieren, dass diese den entsprechenden eingehenden Datenverkehr zulassen, was üblicherweise durch Zuweisung eines bestimmten Ports geschieht. Ausführliche Informationen zu diesem Thema finden Sie in der Dokumentation des Routers. Weitere Informationen hierzu und zu anderen Themen erhalten Sie auf der Support-Webseite von Axis unter [www.axis.com/techsup](http://www.axis.com/techsup).

## Zurücksetzen auf werkseitige Voreinstellungen

Gehen Sie folgendermaßen vor, um sämtliche Parameter einschließlich der IP-Adresse auf die werkseitigen Standardeinstellungen zurückzusetzen:

1. Trennen Sie die Kamera von der Stromversorgung.
2. Halten Sie die Steuertaste gedrückt, und schließen Sie den Netzstecker wieder an.
3. Halten Sie die Steuertaste gedrückt, bis die Statusanzeige gelb leuchtet (dies kann bis zu 15 Sekunden dauern), und lassen Sie danach die Taste los.
4. Sobald die Statusanzeige grün leuchtet (dies kann bis zu einer Minute dauern), ist die Kamera auf die werkseitigen Standardeinstellungen zurückgesetzt.
5. Weisen Sie die IP-Adresse erneut zu, indem Sie eines der in diesem Dokument beschriebenen Verfahren verwenden.

Die Parameter können auch über die Weboberfläche auf die werkseitigen Einstellungen zurückgesetzt werden. Weitere Informationen dazu finden Sie in der Online-Hilfe und im Benutzerhandbuch.

## Weitere Informationen

Das Benutzerhandbuch ist auf der Axis-Website unter [www.axis.com](http://www.axis.com) erhältlich und befindet sich auch auf der mitgelieferten CD für Axis-Netzwerkvideoprodukte.

### **Tipp!**

Unter [www.axis.com/techsup](http://www.axis.com/techsup) finden Sie Firmware-Aktualisierungen für Ihre AXIS 221/223M. Gehen Sie unter „Setup-Tools“ auf die Seite „Standardkonfiguration“, um die aktuelle Firmware-Version anzuzeigen.



# AXIS 221/223M

## Guía de instalación

Esta guía de instalación incluye las instrucciones necesarias para instalar la AXIS 221/223M en su red. Para obtener información sobre cualquier cuestión relacionada con el uso del producto, consulte el Manual del usuario, disponible en el CD que se incluye en este paquete o en la página [www.axis.com/techsup](http://www.axis.com/techsup).

### Pasos de instalación

1. Comprobación del contenido del paquete con la lista siguiente.
2. Presentación del hardware. Consulte la página 44.
3. Conexión de los cables. Consulte la página 45.
4. Configuración de una dirección IP.  
Consulte la página 47.
5. Configuración de la contraseña.  
Consulte la página 50.

**¡Importante!**  
Este producto debe utilizarse de acuerdo con la legislación y la normativa locales.

### 1 Contenido del paquete

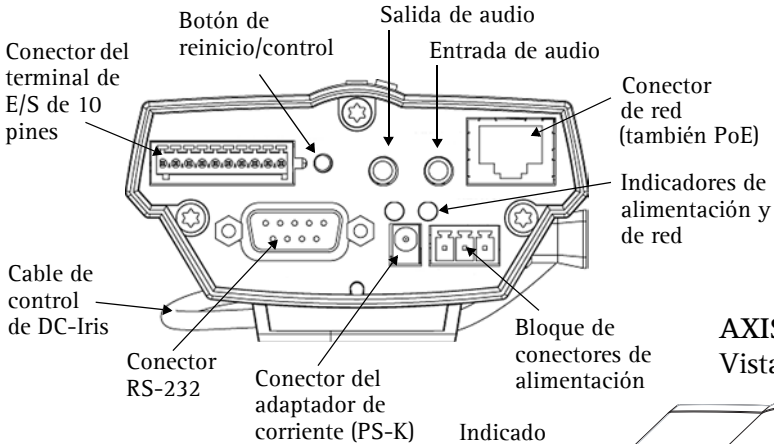
Artículo	Modelos/variantes/notas
Cámara de red	Cámara de Red AXIS 221 Cámara de Red AXIS 223M
	Anillo adaptador de la lente CS (únicamente AXIS 223M)
Fuente de alimentación para interior PS-K	Específico del país
Conector del bloque de terminales	Bloque de conectores de 10 pines para conectar dispositivos externos al conector de terminal de E/S Bloque de conectores de 3 pines para proporcionar alimentación al conector de alimentación de 3 pines
CD	CD sobre el producto de vídeo de red de Axis, que incluye herramientas de instalación, otro software y documentación acerca del producto
Material impreso	Guía de instalación de AXIS 221/223M (este documento) Documento de garantía de Axis

#### Importante:

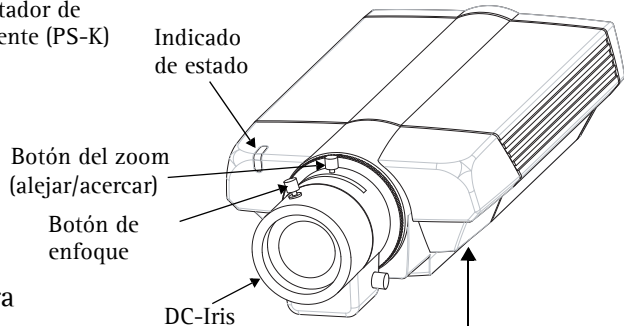
Para utilizar la AXIS 221/223M en espacios exteriores, es necesario instalar una caja de protección. Si desea obtener más datos sobre las cajas de protección y otros accesorios, visite [www.axis.com](http://www.axis.com).

## 2 Presentación del hardware

### AXIS 223M -Vista trasera

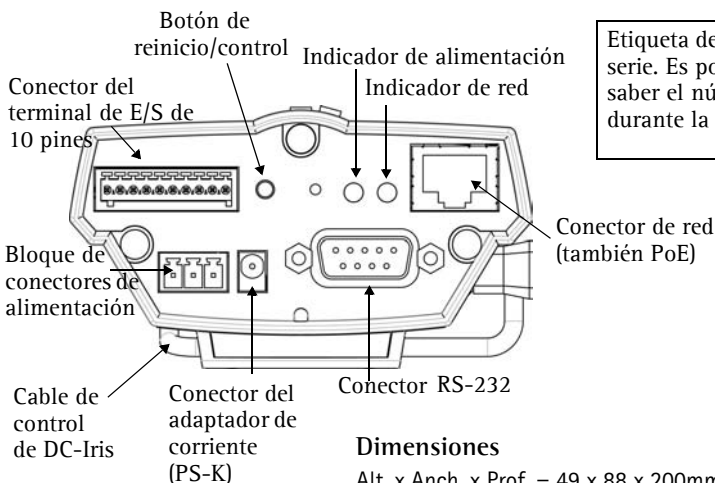


### AXIS 221/223M Vista frontal



Etiqueta de ID y del número de serie. Es posible que necesite saber el número de serie durante la instalación.

### AXIS 221 - Vista trasera



### Dimensiones

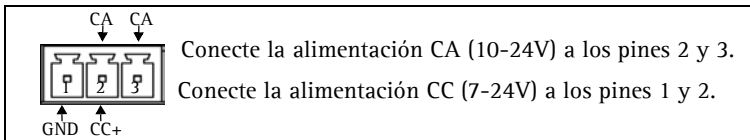
Alt. x Anch. x Prof. = 49 x 88 x 200mm (1,9" x 3,5" x 7,9")

Peso = 620g (21,9 onzas) (fuente de alimentación no incluida)

### 3 Conexión de los cables

1. Conecte la cámara a la red con un cable de red blindado.
2. También puede conectar dispositivos de entrada/salida externos, como dispositivos de alarma. Para obtener más información sobre los pines de conectores de terminales, consulte la página 55.
3. Como opción, puede conectar un altavoz activo o un micrófono externo (sólo AXIS 223M).
4. Conecte la alimentación utilizando uno de los métodos especificados en la lista que aparece a continuación:
  - PoE (corriente a través de Ethernet). Si está disponible, se detecta automáticamente cuando el cable de red está conectado (consulte la ilustración anterior).
  - Conecte la fuente de alimentación para interiores suministrada al conector de alimentación\* de la cámara.
  - El bloque de conectores de alimentación de 3 pines del panel trasero. Consulte la ilustración que aparece más abajo.
5. Compruebe que los indicadores LED anuncian las condiciones adecuadas. Para obtener información más detallada, consulte la tabla que aparece abajo. Tenga en cuenta que algunos LED pueden deshabilitarse y apagarse.

#### Bloque de conectores de alimentación de 3 pines



\* utilice únicamente el alimentador PS-K suministrado

## Indicadores LED



LED	Color	Descripción
Red	Verde	Fijo para indicar conexión a una red de 100 Mbit/s. Parpadeo para indicar actividad de red.
	Ámbar	Fijo para indicar conexión a una red de 10 Mbit/s. Parpadeo para indicar actividad de red.
	Apagado	Sin conexión.
Estado	Verde	Verde fijo cuando el funcionamiento es normal. <b>Nota:</b> puede configurarse el LED de estado para que esté apagado durante el funcionamiento normal o que parpadee cuando se tiene acceso a la cámara. Para obtener más información, consulte los archivos de la ayuda en línea. Vaya a <b>Setup (Configuración) &gt; System Options (Opciones del sistema)&gt; LED Settings (Valores de los LED)</b>
	Ámbar	Fijo durante el inicio o cuando se restablecen los valores o la configuración iniciales.
	Rojo	Parpadeo lento si no se puede realizar una actualización.
Alimentación	Verde	Funcionamiento normal.
	Ámbar	Parpadeo verde/ámbar durante la actualización del firmware.

#### 4 Asignación de una dirección IP

Debe asignarse una dirección IP a la AXIS 221/223M para que sea accesible desde la red.

Dependiendo del número de cámaras que desee instalar, el método recomendado de asignación de direcciones IP en Windows será **AXIS IP Utility** o bien **AXIS Camera Management**. Utilice el método que se adapte mejor a sus necesidades.

Ambas aplicaciones son gratuitas y están disponibles en el CD del producto de vídeo en red de Axis suministrado con este producto o pueden descargarse de [www.axis.com/techsup](http://www.axis.com/techsup).

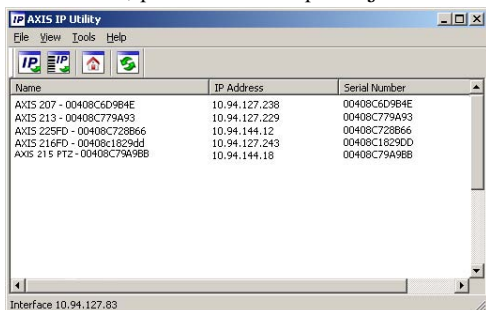
Método	Recomendado para	Sistema operativo
 AXIS IP Utility Consulte la página 48	Cámaras individuales Instalaciones pequeñas	Windows
 AXIS Camera Management Consulte la página 49	Varias cámaras Instalaciones grandes Instalación en una subred diferente	Windows 2000 Windows XP Pro Windows 2003 Server

#### Notas:

- Se puede emplear de modo opcional un servidor DHCP de red.
- La AXIS 221/223M tiene la siguiente dirección IP predeterminada: 192.168.0.90.
- Si no puede asignar la dirección IP, compruebe que no haya ningún firewall que bloquee la operación.
- Consulte la página 53 para conocer otros métodos de asignación o detectar la dirección IP de la AXIS 221/223M, por ejemplo, en otros sistemas operativos.

## AXIS IP Utility: Para cámaras individuales o instalaciones pequeñas

AXIS IP Utility descubre y muestra automáticamente los dispositivos Axis que existen en la red. Además, puede utilizarse para fijar manualmente una dirección IP estática.




Recuerde que el equipo que ejecute AXIS IP Utility debe instalarse en el mismo segmento de red (subred física) que la AXIS 221/223M.

### Detección automática

1. Compruebe que la AXIS 221/223M está conectada a la red y que recibe alimentación.
2. Inicie AXIS IP Utility.
3. Cuando la cámara aparezca en la ventana, haga doble clic en ella para abrir la página de inicio.
4. Consulte la página 50 para obtener instrucciones sobre cómo asignar la contraseña.

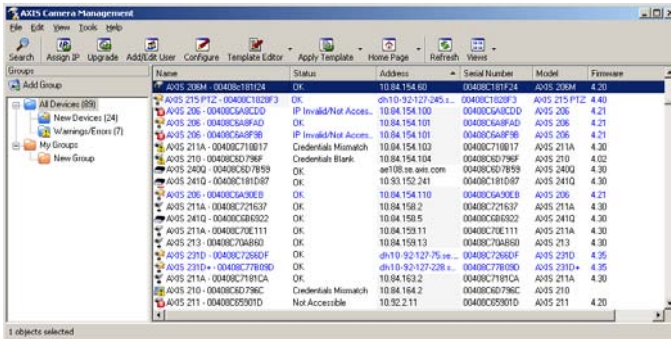
### Asignación manual de la dirección IP

1. Obtenga una dirección IP que no esté en uso y que se encuentre en el mismo segmento que su PC.
2. Haga clic en el botón  Assign IP address using serial number <Asignar dirección IP a partir del número de serie> e introduzca el número de serie y la dirección IP de la AXIS 221/223M. El número de serie aparece en la etiqueta del producto.
3. Haga clic en el botón Assign <Asignar> y siga las instrucciones.
4. Haga clic en Home Page <Página de inicio> para acceder a las páginas Web de la cámara.
5. Consulte la página 50 para obtener instrucciones sobre cómo configurar la contraseña.



## AXIS Camera Management: Para varias cámaras e instalaciones grandes

AXIS Camera Management puede encontrar y configurar automáticamente direcciones IP, mostrar el estado de la conexión y administrar las actualizaciones del firmware de varios productos de video de Axis.



### Detección automática

1. Compruebe que la cámara está conectada a la red y que recibe alimentación.
2. Inicie AXIS Camera Management. Cuando aparezca la AXIS 221/223M en la ventana, haga doble clic para abrir la página de inicio.
3. Consulte la página 50 para obtener instrucciones sobre cómo configurar la contraseña.

### Configuración de la dirección IP en varios dispositivos

AXIS Camera Management acelera el proceso de asignación de direcciones IP en varios dispositivos indicando direcciones IP disponibles dentro de un intervalo especificado.

1. Seleccione los dispositivos que desee configurar (es posible seleccionar varios modelos) y haga clic en el botón **Assign IP** <Asignar IP>.
2. Seleccione **Obtain IP addresses automatically** <Obtener direcciones IP automáticamente> (DHCP), haga clic en el botón **Actualización** y el programa iniciará la búsqueda en el intervalo especificado y sugerirá una dirección IP para cada dispositivo. o bien

Introduzca el intervalo de direcciones IP, la máscara de subred y el router predeterminado que pueden utilizar los dispositivos, y haga clic en el botón **Actualización**.

## 5 Configuración de la contraseña

Al acceder a la AXIS 221/223M por primera vez, aparecerá el cuadro de diálogo “Configurar contraseña de root”.



1. A continuación, escriba una contraseña y vuelva a escribirla para confirmarla. Haga clic en “OK” (Aceptar).
2. Escriba el nombre de usuario root en el cuadro de diálogo  
 Nota: El nombre de usuario predeterminado para el administrador “root” no se puede borrar.
3. Escriba la contraseña que introdujo anteriormente y haga clic en **Aceptar**. Si olvidó la contraseña, debe restablecer la AXIS 221/223M a los valores iniciales. Consulte la página 56.
4. En caso necesario, haga clic en **Sí** para instalar el AMC (AXIS Media Control) y así permitir la visualización del vídeo continuo en Internet Explorer. Para ello, debe tener derechos de administrador en su ordenador.

La página En vivo de la AXIS 221/223M aparece con enlaces a las herramientas de configuración que le permiten personalizar la cámara.

**Setup:** Proporciona todas las herramientas necesarias para configurar la cámara según sus requisitos.

**Help:** Muestra la ayuda en línea



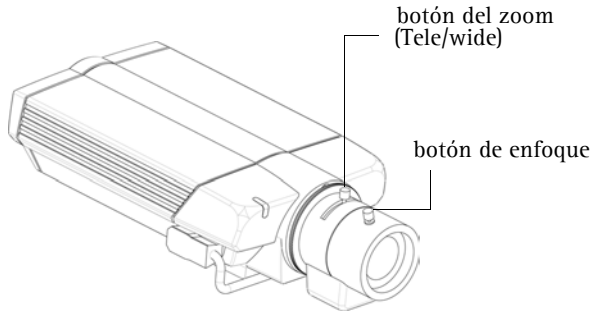
## Ajuste de imagen y enfoque

Para ajustar la posición de la lente:

1. Abra la página de Live View (en vivo) en el web browser (buscador).
2. Mire la imagen en la página Live View mueve en lente en la posición deseada.

Para enfocar la AXIS 221/223M:

1. Desde la página de la configuración básica en setup Tools (configuración de herramientas), abra la página de ajuste de foco.
2. Deshabilite el DC-Iris y clic en guardar.
3. Desatornille el botón de zoom de las lentes girándolo en sentido contrario a las agujas del reloj. Ajuste la configuración del zoom según sea necesario.
4. Fije de nuevo el botón de zoom.
5. Desatornille el botón de enfoque de las lentes. Ajuste el enfoque según sea necesario. Fije de nuevo el botón den enfoque.
6. Desde la página de ajuste de enfoque, habilite el DC-iris y clic en guardar.



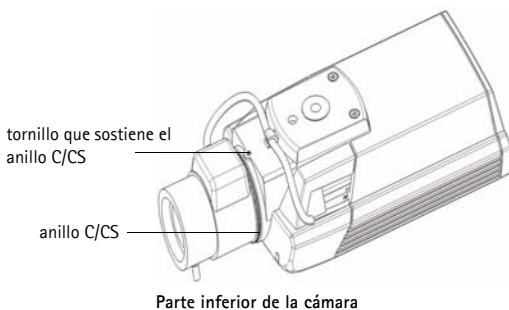
**Nota:** - El DC-Iris debe estar siempre deshabilitado durante el proceso de enfoque de la cámara. Así el Iris se abre al máximo, proporcionando la menor profundidad del campo

posible, y por tanto las mejores condiciones para un enfoque correcto. Si el enfoque se configura con este método, este se mantiene bajo cualquier condición de iluminación.

## Reajustar el ajuste del foco.

Una vez la lente ha sido reemplazada por una lente no estándar o cuando los resultados obtenidos al enfocar no son satisfactorios se requiere reajustar el foco siguiendo estas instrucciones:

1. Afloje el tornillo que sostiene el anillo C/CS, C es el anillo estándar para las AXIS 221 y AXIS 223M.
2. Dirija la cámara hacia un objeto colocado a por lo menos 7 metros de distancia. Coloque el botón zoom al máximo ancho posible y verifique si es posible enfocar la lente.
3. Coloque el botón tele al máximo y verifique si es posible enfocar la lente.
4. Dirija la cámara hacia un objeto cercano, aproximadamente a 30 cm de distancia, y coloque el botón del zoom al máximo y verifique si es posible enfocar la lente.
5. Si no es posible ajustar el foco con los procedimientos anteriormente descritos, ajuste el anillo C/CS y comience de nuevo desde el paso 2.
6. Fije el tornillo que sostiene el anillo C/CS.
7. Después de reajustar el foco como se explico en las instrucciones anteriores, Ajuste el zoom y el enfoque a la posición deseada. Fije el botón que mantiene la posición del anillo C/CS.



## Otros métodos para configurar la dirección IP

Esta tabla presenta todos los métodos disponibles para configurar o detectar la dirección IP. Todos los métodos están habilitados de forma predeterminada y es posible deshabilitarlos.

	Sistema operativo	Notas
UPnP™	Windows (ME o XP)	La cámara se detecta y se añade a "Mis sitios de red" automáticamente, siempre que esta opción esté habilitada en el equipo.
Bonjour	MAC OSX (10.4 o posterior)	Aplicable a navegadores compatibles con Bonjour. Navegue hasta el favorito Bonjour™ del explorador (p. ej., Safari) y haga clic en el vínculo para acceder a las páginas Web de la cámara.
AXIS Dynamic DNS Service	Todos	Servicio gratuito de Axis que permite instalar la cámara de forma rápida y sencilla. Es necesario disponer de conexión a Internet sin proxy HTTP. Para más información, consulte <a href="http://www.axiscam.net">www.axiscam.net</a> .
ARP/Ping	Todos	Véase más adelante. El comando debe emitirse en los dos minutos posteriores al encendido de la cámara.
Visualización de las páginas admin. del servidor DHCP	Todos	Para visualizar las páginas admin del servidor DHCP en red, consulte la documentación del servidor.

## Configuración de la dirección IP con ARP/Ping

1. Adquiera una dirección IP en el mismo segmento de red en el que está conectado su equipo.
2. Localice el número de serie (N/S) en la etiqueta de la AXIS 221/223M.
3. Abra una línea de comando en su equipo y escriba los comandos siguientes:

Sintaxis de Windows:	Ejemplo de Windows
arp -s <Dirección IP> <Número de serie> ping -l 408 -t <Dirección IP>	arp -s 192.168.0.125 00-40-8c-18-10-00 ping -l 408 -t 192.168.0.125
Sintaxis de UNIX/Linux/Mac	Ejemplo de UNIX/Linux/Mac
arp -s <Dirección IP> <Número de serie> temp ping -s 408 <Dirección IP>	arp -s 192.168.0.125 00:40:8c:18:10:00 temp ping -s 408 192.168.0.125

4. Compruebe que el cable de red está conectado a la cámara y desconecte y vuelva a conectar la corriente para iniciarla o reiniciarla.
5. Cierre la línea de comando cuando vea 'Reply from 192.168.0.125: ...' o similar.
6. En el explorador, escriba http://<dirección IP> en el campo Ubicación/Dirección y pulse Intro en el teclado.

### Notas:

- Para abrir una línea de comando en Windows: desde el menú Inicio, seleccione Ejecutar... y escriba cmd. Haga clic en Aceptar.
- Para utilizar el comando ARP en un sistema operativo Mac OS X, utilice la herramienta Terminal, que se encuentra en Aplicaciones > Utilidades.

## Conectores

**Conector de red** - Conector Ethernet RJ-45. Compatible con corriente a través de Ethernet. Se recomienda emplear cables blindados.

**Conector de alimentación** - Conector mini de CC. 5,1V DC, máx. 3,6W. Consulte la etiqueta del producto para información sobre la conexión de polaridad **positiva o negativa**.

**Entrada de audio** - Entrada de 3,5mm para micrófono mono o a una señal mono de línea (canal izquierdo utilizado desde una señal estéreo).

**Salida de audio** - Salida de audio (nivel de línea) que puede conectarse a un sistema de dirección pública o un altavoz activo con amplificador incorporado. También puede añadirse unos auriculares. Para la salida de audio, debe utilizarse un conector estéreo.

## Bloque de conectores del terminal de E/S de 10 pines

Pin	Función	Descripción
1	Salida A	En los terminales de salida del dispositivo externo (A y B) no se distingue el positivo del negativo (+ y -). Los terminales utilizan un fotoacoplador y están aislados eléctricamente del resto de los circuitos internos. La carga máxima no debe superar los 100 mA y el voltaje máximo no debe ser mayor de 50 VCC o 35 VAC..
2	Salida B	
3	Entrada digital 1 Ánodo del fotoacoplador (+)	Entrada fotoacoplada 1. Esta entrada, que está aislada eléctricamente de la carcasa y los conectores, puede recibir corriente de una fuente CC externa o de la entrada/salida de alimentación CC en los pines 9 (DC+) y 10 (GND).
4	Entrada digital 1 Cátodo del fotoacoplador (-)	
5	Entrada digital 2 Ánodo del fotoacoplador (+)	Entrada fotoacoplada 2. Igual que lo descrito anteriormente.
6	Entrada digital 2 Cátodo del fotoacoplador (-)	
7	RS-485-A (sin inversión)	Interfaz RS-485 semidúplex para controlar equipos auxiliares.
8	RS-485-B (inversión)	
9	Salida de alimentación DC+	Compatible con las entradas del fotoacoplador u otro equipo. La tensión de salida es de 3,0 V. La salida CC puede proporcionar una corriente máxima de 100 mA.
10	GND	Tierra

## Acceso a la AXIS 221/223M desde Internet

Una vez instalada, puede accederse a la AXIS 221/223M desde su red local (LAN). Para acceder a la cámara desde Internet, los routers de red deben estar configurados para permitir el tráfico de datos de entrada, que normalmente se efectúa en un puerto específico. Para obtener más instrucciones, consulte la documentación de su router. Para obtener más información sobre este u otros temas, visite la página de asistencia técnica de Axis en [www.axis.com/techsup](http://www.axis.com/techsup).

## Reconfiguración a los valores iniciales

Esta operación reconfigurará todos los parámetros, incluida la dirección IP, a los valores iniciales:

1. Desconecte la alimentación de la cámara.
2. Mantenga presionado el botón de control y vuelva a conectar la alimentación.
3. Mantenga presionado el botón de control hasta que el indicador de estado brille con luz ámbar (esto puede tardar hasta 15 segundos) y después suelte el botón.
4. Cuando el indicador de estado emita una luz verde (lo que puede tardar hasta 1 minuto), ha finalizado el proceso y se han restablecido los valores iniciales de la cámara.
5. Vuelva a asignar la dirección IP utilizando uno de los métodos descritos en este documento.

También es posible restablecer los valores predeterminados de la cámara mediante la interfaz Web. Si desea más información, consulte la ayuda en línea o el manual del usuario.

## Más información

Podrá acceder al Manual del usuario desde el sitio Web de Axis [www.axis.com](http://www.axis.com), o bien a través del CD sobre el producto de vídeo de red de Axis suministrado con este producto.

**Sugerencia:**

Entre en [www.axis.com/techsup](http://www.axis.com/techsup) para comprobar si existe firmware actualizado disponible para la AXIS 221/223M. Para ver la versión de firmware que se encuentra instalada en ese momento, consulte la página Web Configuración básica en las herramientas de configuración del producto.



# AXIS 221/223M

## Guida all'installazione

Nel presente documento vengono fornite le istruzioni per installare la AXIS 221/223M nella propria rete. Per tutti gli altri aspetti sull'utilizzo del prodotto, vedere il manuale dell'utente, disponibile sul CD incluso nella confezione oppure all'indirizzo [www.axis.com/techsup](http://www.axis.com/techsup)

### Procedura di installazione

1. Controllare il contenuto della confezione utilizzando l'elenco fornito di seguito.
2. Panoramica dell'hardware. Vedere pagina 58.
3. Collegamento dei cavi. Vedere pagina 59.
4. Impostare un indirizzo IP. Vedere pagina 60.
5. Impostare la password. Vedere pagina 63.

#### Importante

Il prodotto deve essere utilizzato in conformità alle leggi e alle disposizioni locali.

### 1 Contenuto della confezione

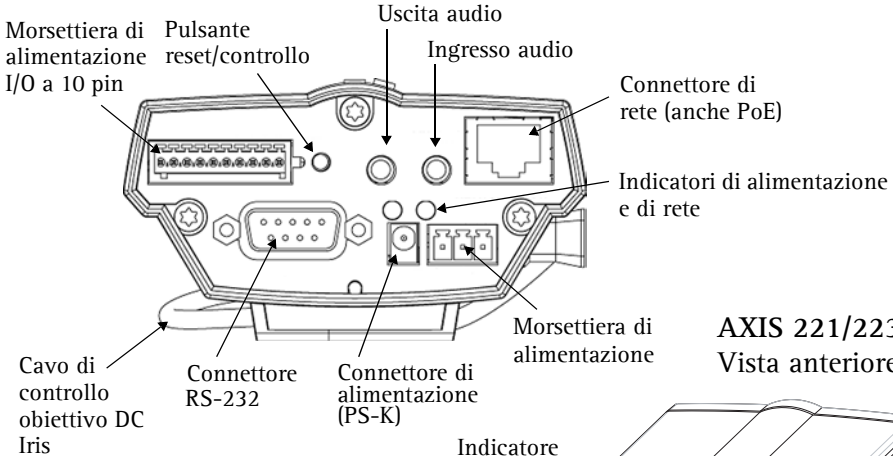
Articolo	Modello/varianti/note
Videocamera di rete	Videocamera di rete AXIS 221 Videocamera di rete AXIS 223M
	Anello adattatore obiettivo CS (solo AXIS 223M)
Alimentatore PS-K per uso interno	Specifico per il paese
Connettore della morsettiera	Morsettiera a 10 pin per il collegamento di periferiche esterne al connettore I/O Morsettiera a 3 pin per il collegamento dell'alimentazione al connettore di alimentazione a 3 pin
CD	CD del prodotto, inclusi gli strumenti di installazione e altro software nonché la documentazione del prodotto
Documentazione cartacea	Guida all'installazione di AXIS 221/223M (questo documento) Certificato di garanzia Axis

#### Importante

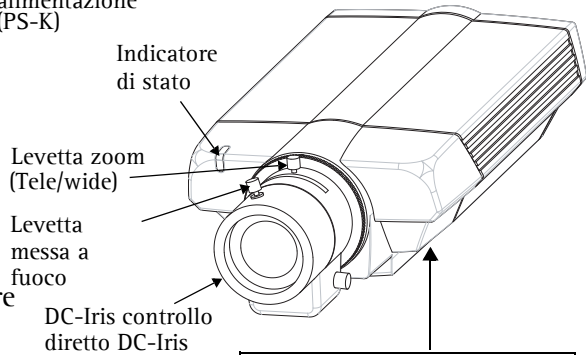
Per utilizzarla in esterni, l'AXIS 221/223M deve essere installata in un alloggiamento di protezione. Per ulteriori informazioni sugli alloggiamenti di protezione e altri accessori, visitare il sito Web all'indirizzo [www.axis.com](http://www.axis.com).

## 2 Panoramica dell'hardware

### AXIS 223M - Vista posteriore

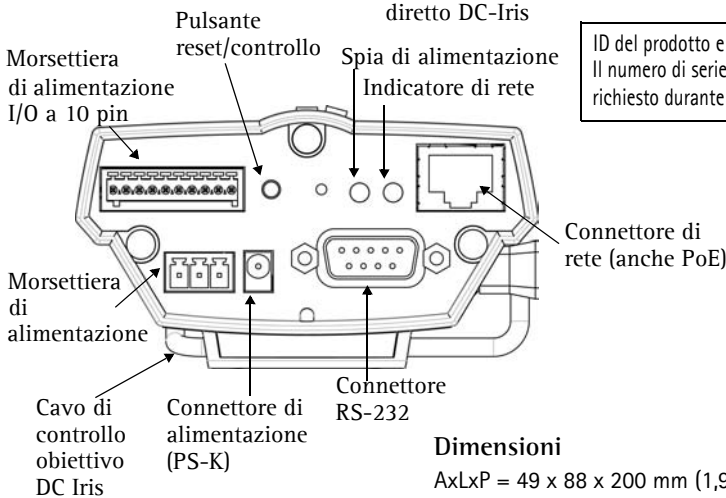


### AXIS 221/223M Vista anteriore



ID del prodotto e numero di serie (S/N).  
Il numero di serie potrebbe essere richiesto durante l'installazione.

### AXIS 221 - Vista posteriore



### Dimensioni

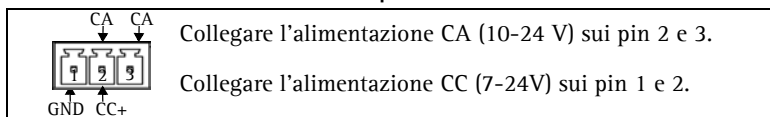
AxLxP = 49 x 88 x 200 mm (1,9" x 3,5" x 7,9")

Peso = 620 g (21,9 oz) (alimentatore non incluso)

### 3 Collegamento dei cavi

1. Collegare la videocamera alla rete mediante un cavo di rete schermato.
2. Connettere altre periferiche esterne in ingresso/uscita (facoltativo) come, ad esempio, sistemi di allarme. Per informazioni sui pin della morsettiera di alimentazione, vedere pagina 68.
3. Collegare un altoparlante attivo o un microfono esterno (facoltativo) (solo AXIS 223M).
4. Collegare l'alimentazione mediante uno dei metodi elencati di seguito:
  - PoE (Power over Ethernet). Se disponibile, è rilevato automaticamente al collegamento dei cavi (vedere quanto riportato di sopra).
  - Collegare l'alimentatore per uso interno al connettore di alimentazione\* sulla videocamera.
  - Tramite la morsettiera di alimentazione a 3 pin sul pannello posteriore. Vedere l'illustrazione riportata di seguito.
5. Verificare che i LED indichino le condizioni di funzionamento corrette. Per ulteriori dettagli, consultare la tabella riportata di seguito. Notare che alcuni LED possono essere disabilitati o spenti.

#### Morsettiera di alimentazione a 3 pin



#### Indicatori LED

LED	Colore	Descrizione
Rete	Verde	Luce fissa: connessione di rete a 100 Mbit/s. Luce lampeggiante: attività di rete.
	Giallo	Luce fissa: connessione di rete a 10 Mbit/s. Luce lampeggiante: attività di rete.
	Spia spenta	Nessuna connessione attiva.
Stato	Verde	Luce fissa: condizioni di normale utilizzo. <b>Nota:</b> è possibile configurare il LED di stato in modo che la spia rimanga spenta in condizioni di normale utilizzo oppure in modo da ottenere una luce intermittente quando si effettua l'accesso alla videocamera. Per ulteriori informazioni, consultare la Guida in linea. Andare su <b>Setup &gt; System Options &gt; LED settings</b>
	Giallo	Luce fissa: all'avvio ripristino delle impostazioni predefinite di fabbrica.
	Rosso	Luce lampeggiante lenta: aggiornamento non riuscito.
Alimentazione	Verde	Normale utilizzo.
	Giallo	Luce lampeggiante verde/gialla: aggiornamento firmware.



\* utilizza solo l'alimentatore PS-K fornito con l'unità

## 4 Assegnazione di un indirizzo IP

Per installare AXIS 221/223M in una rete è necessario assegnare alla videocamera un indirizzo IP.

In base al numero di videocamere che si desidera installare, si consiglia di utilizzare **AXIS IP Utility** o **AXIS Camera Management** per assegnare l'indirizzo IP in ambiente Windows. Utilizzare il metodo che meglio si adatta alle proprie esigenze.

Entrambe le applicazioni sono disponibili gratuitamente sul CD del prodotto oppure possono essere scaricate dal sito Web all'indirizzo [www.axis.com/techsup](http://www.axis.com/techsup).

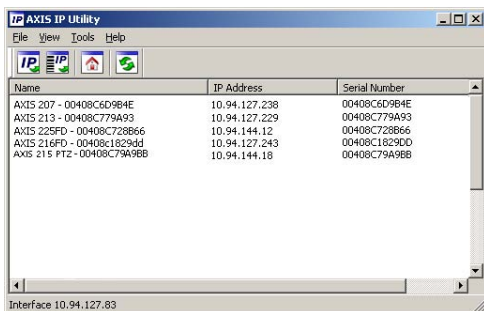
Metodo	Consigliato per...	Sistema operativo
 AXIS IP Utility Vedere pagina 61	Videocamera singola Piccole installazioni	Windows
 AXIS Camera Management Vedere pagina 62	Più videocamere Grandi installazioni Installazione in una diversa subnet	Windows 2000 Windows XP Pro Windows 2003 Server

### Note

- L'utilizzo di un server DHCP di rete è facoltativo.
- L'indirizzo IP predefinito per la videocamera AXIS 221/223M è 192.168.0.90
- Se l'assegnazione dell'indirizzo IP non è riuscita correttamente, verificare che non siano presenti firewall a bloccare l'operazione.
- Per altri metodi di assegnazione o di rilevazione dell'indirizzo IP per AXIS 221/223M, ad esempio in altri sistemi operativi, vedere pagina 64.

## AXIS IP Utility: poche videocamere/piccole installazioni

AXIS IP Utility consente di individuare e visualizzare automaticamente la presenza di periferiche Axis sulla rete. L'applicazione inoltre può essere utilizzata per assegnare manualmente un indirizzo IP statico.




Si tenga presente che AXIS 221/223M deve essere installata sullo stesso segmento di rete (subnet fisica) del computer sul quale è in esecuzione AXIS IP Utility.

### Rilevamento automatico

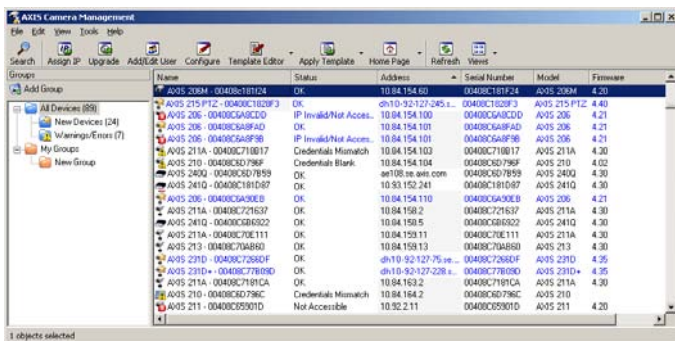
1. Verificare che AXIS 221/223M sia collegata alla rete e alimentata correttamente.
2. Avviare AXIS IP Utility.
3. Quando la videocamera verrà visualizzata, fare doppio clic su di essa per aprirne la home page.
4. Vedere pagina 63 per istruzioni su come assegnare la password.

### Assegnazione automatica dell'indirizzo IP

1. Acquisire un indirizzo IP non utilizzato sullo stesso segmento di rete del computer.
2. Fare clic sul pulsante  Assign new IP address using serial number (Assegna nuovo indirizzo IP mediante numero di serie) e immettere il numero di serie e l'indirizzo IP dell'AXIS 221/223M, che si trova sull'etichetta del prodotto stesso.
3. Fare clic sul pulsante Assign (Assegna) e seguire le istruzioni visualizzate.
4. Fare clic sul pulsante Home Page per accedere alle pagine Web della videocamera.
5. Vedere pagina 63 per istruzioni su come impostare la password.

## AXIS Camera Management: più videocamere/grandi installazioni

AXIS Camera Management è in grado di individuare e impostare automaticamente gli indirizzi IP, mostrare lo stato di connessione e gestire gli aggiornamenti del firmware di più prodotti video Axis.



### Rilevamento automatico

1. Verificare che la videocamera sia collegata alla rete e alimentata correttamente.
2. Avviare AXIS Camera Management. Quando verrà visualizzata la videocamera AXIS 221/223M, fare doppio clic su di essa per aprire la home page.
3. Vedere pagina 63 per istruzioni su come impostare la password.

### Impostazione dell'indirizzo IP in più periferiche

AXIS Camera Management facilita il processo di assegnazione degli indirizzi IP di più videocamere, suggerendo gli indirizzi IP in base a un intervallo specifico.

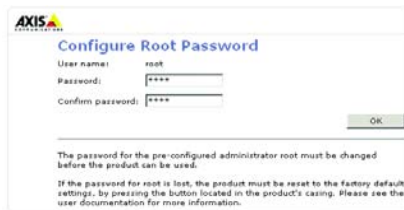
1. Selezionare le videocamere che si desidera configurare (possono essere selezionati differenti modelli) e fare clic sul pulsante **Assign IP** (Assegna IP).
2. Selezionare **Obtain IP addresses automatically (DHCP)**, (Ottieni indirizzo IP automaticamente - DHCP), fare clic sul pulsante **Update** (Aggiorna) e il programma ricercherà l'intervallo specifico, quindi suggerirà un indirizzo IP per ciascuna videocamera.

-oppure-

Immettere l'intervallo di indirizzi IP, la subnet mask e il router predefinito per le videocamere e fare clic sul pulsante **Update** (Aggiorna).

## 5 Impostazione della password

Quando si accede a AXIS 221/223M per la prima volta, viene visualizzata la finestra di dialogo "Configura password di primo livello".



1. Immettere la password, quindi inserirla di nuovo per confermarne l'esattezza. Fare clic su OK.
2. Immettere il nome utente di primo livello nella finestra di dialogo.  
Nota: non è possibile eliminare il nome utente "root" predefinito dell'amministratore.
3. Inserire la password impostata in precedenza e fare clic su OK. Se si dimentica la password, sarà necessario ripristinare le impostazioni di fabbrica dell'AXIS 221/223M. Vedere pagina 69.
4. Se necessario, fare clic su Sì per installare AMC (Axis Media Control) che consente di visualizzare il flusso video in Microsoft Internet Explorer. A questo scopo è necessario disporre dei privilegi di amministratore.

Viene visualizzata la pagina Immagini dal vivo di AXIS 221/223M con i collegamenti agli strumenti di configurazione che consentono di personalizzare la videocamera.

Setup (Configurazione) - fornisce tutti gli strumenti necessari per impostare la videocamera in base alle necessità.

Help (Guida) - Guida in linea



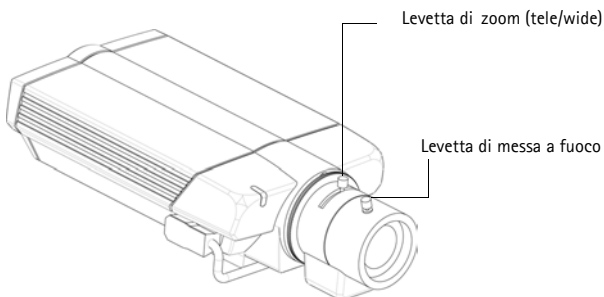
## Regolazione della messa a fuoco

Per regolare la posizione della lente seguire le istruzioni seguenti:

1. Aprire la Live View nel browser.
2. Controllare l'immagine che compare nella Live View, e muovere la telecamera verso la posizione desiderata.

Per mettere a fuoco AXIS 221/223M seguire le istruzioni seguenti:

1. Nella pagina di Setup (Configurazione), aprire la pagina per la Regolazione della messa a fuoco.
2. Impostare il DC-Iris su Disabilitato e fare clic su Salva.
3. Svitare la levetta dello zoom sull'obiettivo girandola in senso antiorario. Regolare l'impostazione dello zoom.
4. Riavvitare la levetta dello zoom.
5. Svitare la levetta della messa a fuoco sull'obiettivo. Regolare la messa a fuoco. Riavvitare la levetta della messa a fuoco.
6. Nella pagina per la Regolazione della messa a fuoco, impostare DC-Iris su Abilitato e fare clic su Salva.



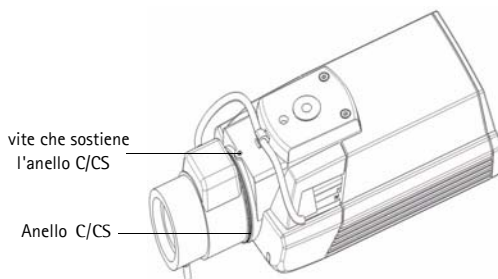
**Nota:** - Il DC-Iris deve sempre essere disabilitato quando si regola la messa a fuoco della videocamera. In questo modo l'obiettivo viene aperto al massimo dando la minima profondità di campo e offrendo le condizioni migliori per una corretta messa a fuoco. La messa a fuoco impostata con questo metodo verrà mantenuta in qualsiasi condizione di luce.



## Regolazione del piano retro-focale posteriore (back focus)

In alcuni casi quando la lente standard della telecamera viene sostituita con una lente diversa, o quando la procedura di messa a fuoco non ha portato ai risultati sperati, bisogna procedere con la regolazione del piano retro-focale posteriore.

1. Allentare la vite che sostiene l'anello C/CS. Il tipo C è standard per AXIS 223M e il tipo CS è standard per AXIS 221.
  2. Posizionare la telecamera verso un oggetto che si trova a circa 7 metri di distanza, impostare la levetta dello zoom sul massimo valore di 'wide' e controllare che sia possibile mettere a fuoco l'obiettivo.
  3. Impostare ora la levetta dello zoom sul valore massimo di 'tele' e controllare nuovamente che sia possibile mettere a fuoco l'obiettivo.
  4. Posizionare ora la telecamera verso un oggetto vicino, circa 30 cm, e impostare la levetta dello zoom sul massimo valore di 'wide' e controllare che sia possibile mettere a fuoco l'obiettivo.
- Impostare ora la levetta dello zoom sul valore massimo di 'tele' e controllare nuovamente che sia possibile mettere a fuoco l'obiettivo.
5. Se non fosse possibile mettere a fuoco l'obiettivo con nessuno dei metodi segnalati in queste pagine, regolare l'anello C/CS e ripartire dal passaggio numero 2.
  6. Infine stringere la vite che sostiene l'anello C/CS.
  7. Dopo aver effettuato la regolazione del piano retro-focale posteriore (back focus), sarà possibile impostare lo zoom e la messa a fuoco nella posizione desiderata.



Parte sottostante della telecamera

## Altri metodi di impostazione dell'indirizzo IP

Nella tabella sopra riportata sono illustrati altri metodi disponibili per impostare o individuare l'indirizzo IP. Tutti i metodi sono disponibili per impostazione predefinita e possono essere tutti disabilitati.

	Sistema operativo	Note
UPnP™	Windows (ME o XP)	Se abilitato sul computer, la videocamera viene rilevata automaticamente e aggiunta a "Risorse di rete".
Bonjour	MAC OSX (versione 10.4 o successive)	Si applica a browser con supporto Bonjour. Selezionare il segnalibro Bonjour nel browser (ad esempio Safari) e fare clic sul collegamento per accedere alle pagine Web della videocamera.
Servizio AXIS Dynamic DNS	Tutti	Un servizio gratuito fornito da Axis che consente di installare la videocamera in modo facile e veloce. È necessaria una connessione a Internet senza proxy HTTP. Per ulteriori informazioni, visitare il sito Web all'indirizzo <a href="http://www.axiscam.net">www.axiscam.net</a> .
ARP/Ping	Tutti	Vedere più avanti. È necessario eseguire il comando entro 2 minuti dal collegamento dell'alimentazione alla videocamera.
Visualizzazione delle pagine di amministrazione del server DHCP	Tutti	Per visualizzare le pagine di amministrazione del server DHCP di rete, vedere la documentazione specifica del server.

## Impostazione dell'indirizzo IP con ARP/Ping

1. Acquisire un indirizzo IP sullo stesso segmento di rete su cui è connesso il computer utilizzato.
2. Individuare il numero di serie indicato sull'etichetta di AXIS 221/223M.
3. Aprire un prompt dei comandi sul computer e digitare i seguenti comandi:

Sintassi di Windows:	Esempio di Windows
arp -s <Indirizzo IP> <Numero di serie> ping -l 408 -t <Indirizzo IP>	arp -s 192.168.0.125 00-40-8c-18-10-00 ping -l 408 -t 192.168.0.125
Sintassi di UNIX/Linux/Mac:	Esempio di UNIX/Linux/Mac
arp -s <Indirizzo IP> <Numero di serie> temp ping -s 408 <Indirizzo IP>	arp -s 192.168.0.125 00:40:8c:18:10:00 temp ping -s 408 192.168.0.125

4. Verificare che il cavo di rete sia connesso alla videocamera e quindi avviare/riavviare la videocamera, scollegando e ricollegando l'alimentazione.
5. Chiudere il prompt dei comandi una volta visualizzato il messaggio "Risposta da 192.168.0.125: ..." oppure un messaggio simile.
6. Nel browser immettere `http://<indirizzo IP>` nel campo del percorso/indirizzo e premere Invio sulla tastiera.

### Note

- Per aprire il prompt dei comandi in Windows: dal menu Start, selezionare Esegui... e immettere cmd. Fare clic su OK.
- Per utilizzare il comando ARP su un sistema operativo Mac OS X, servirsi dell'utilità Terminal, in Applicazioni > Utilità.

## Connettori

Connettore di rete: Ethernet RJ-45: PoE (Power over Ethernet). Si consiglia l'uso di cavi schermati.

Connettore di alimentazione: a basso voltaggio. 5.1V DC, max 3.6W. Vedere l'etichetta sul prodotto per la connessione dei poli  $\pm$ .

Ingresso audio: 3,5 mm di ingresso per un solo microfono o per un solo segnale line-in (canale di sinistra utilizzato per un segnale stereo).

Uscita audio: audio in uscita (livello segnale di linea) che può essere connesso ad un indirizzo pubblico oppure un altoparlante attivo con amplificatore integrato. È possibile collegare un paio di cuffie. È necessario utilizzare un connettore stereo per l'uscita audio.

## Morsettiera di alimentazione I/O a 10 pin

Pin	Funzione	Descrizione
1	Uscita A	Nei connettori di uscita della periferica esterna (A e B) non è presente alcuna distinzione tra positivo e negativo (+ e -). Con i connettori, isolati dagli altri circuiti elettrici interni, si utilizza un componente optoisolato. Non è possibile superare 100 mA di carico massimo e 50 VCC o 35 VCA di voltaggio massimo.
2	Uscita B	
3	Entrata digitale 1 Anodo optoisolatore (+)	Entrata 1 optoisolata. Isolata dagli altri circuiti elettrici dello chassis e dei connettori, questa entrata può essere alimentata da una corrente CC esterna o dalla corrente CC di entrata/uscita sui pin 9 (CC+) e 10 (messa a terra).
4	Entrata digitale 1 Catodo optoisolatore (-)	
5	Entrata digitale 2 Anodo optoisolatore (+)	Entrata 2 optoisolata. Come descritto sopra.
6	Entrata digitale 2 Catodo optoisolatore (-)	
7	RS-485-A (senza inversione)	Interfaccia RS-485 con modalità half-duplex per l'apparecchiatura di controllo ausiliaria.
8	RS-485-B (inversione)	
9	Uscita CC+	Può alimentare le entrate dell'optoisolatore o altri strumenti. Il voltaggio in uscita è pari a 3,0 V. Una corrente massima di 100mA può essere alimentata dall'uscita CC.
10	GND	Messa a terra

## Accesso all'AXIS 221/223M da Internet

Una volta installata, l'AXIS 221/223M è accessibile dalla LAN. Per accedere alla videocamera da Internet, è necessario configurare i router di rete per consentire il traffico dei dati in entrata, operazione che solitamente viene effettuata su una porta specifica. Per ulteriori istruzioni sul router, fare riferimento alla documentazione. Per ulteriori informazioni relative a questo e altri argomenti, visitare il sito Web del supporto tecnico di Axis all'indirizzo [www.axis.com/techsup](http://www.axis.com/techsup)

## Ripristino delle impostazioni di fabbrica

Questa procedura consentirà di ripristinare le impostazioni di fabbrica per tutti i parametri, incluso l'indirizzo IP.

1. Scollegare l'alimentazione dalla videocamera.
2. Tenere premuto il pulsante Control e ricollegare il cavo di alimentazione.
3. Tenere premuto il pulsante finché l'indicatore di stato diventa giallo (possono essere necessari fino a 15 secondi), quindi rilasciare il pulsante.
4. Quando l'indicatore di stato diventa verde (l'operazione può richiedere fino a 1 minuto) la procedura è completata e sono state ripristinate le impostazioni di fabbrica per la videocamera.
5. Riassegnare l'indirizzo IP utilizzando uno dei metodi descritti nel presente documento.

È possibile inoltre ripristinare le impostazioni di fabbrica mediante l'interfaccia Web. Per ulteriori informazioni, consultare la Guida in linea o il Manuale per l'utente.

## Ulteriori informazioni

Il Manuale per l'utente è disponibile sul sito Web di Axis all'indirizzo [www.axis.com](http://www.axis.com) oppure sul CD fornito con il prodotto.

### Suggerimento

Visitare il sito di Axis all'indirizzo [www.axis.com/techsup](http://www.axis.com/techsup) per verificare se sono stati pubblicati aggiornamenti del firmware per la videocamera AXIS 221/223M. Per conoscere la versione installata del firmware, vedere la pagina Configurazione base negli strumenti di configurazione.



