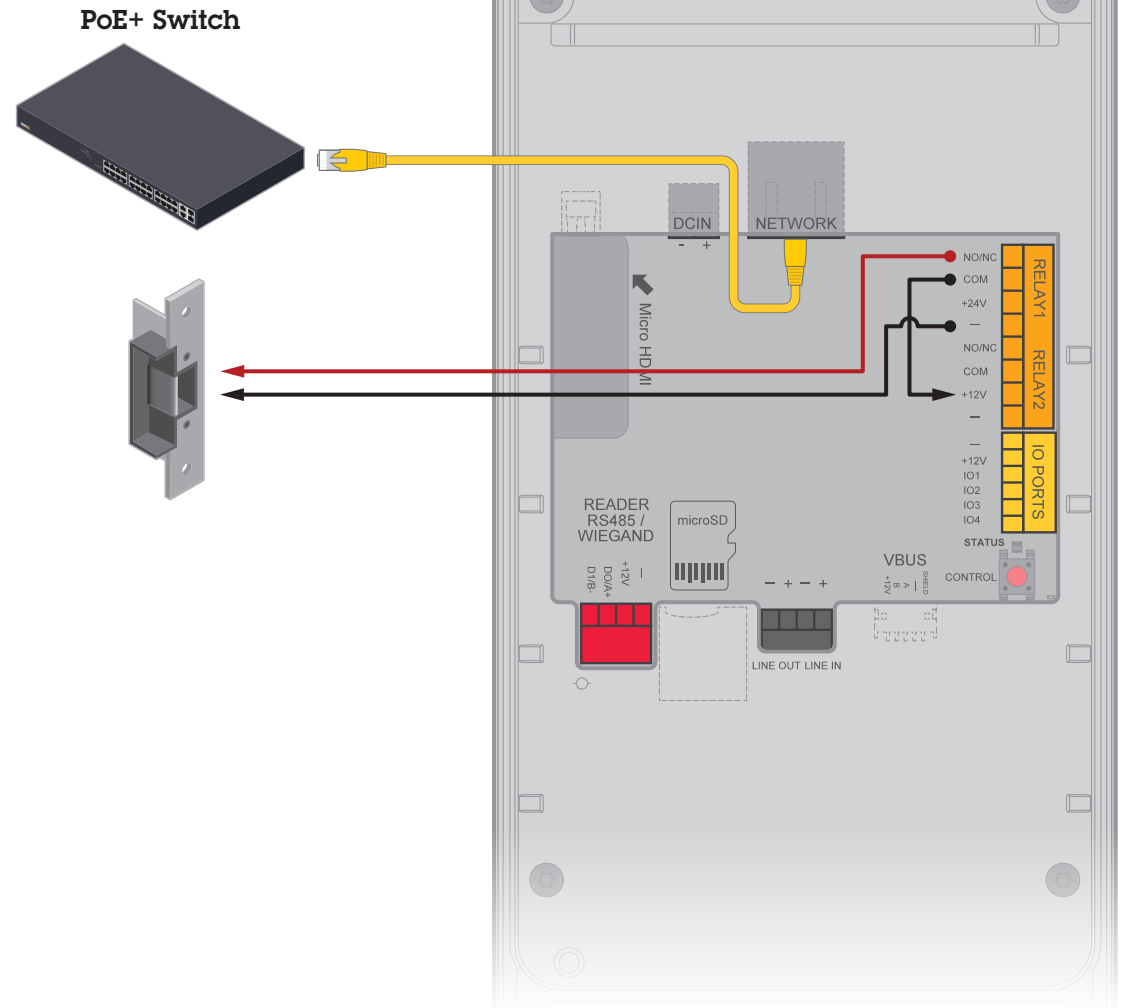


# AXIS A8207-VE installation

Relay powered by PoE (12V)

## Configure relay state in the product's webpage

1. To check relay state, go to:  
**Hardware > I/O ports > Relays**
2. Click **Edit**.
3. Depending on your lock type, set **Normal state** to:  
**Open circuit** for a fail-secure lock  
**Closed circuit** for a fail-safe lock
4. Click **Save**.

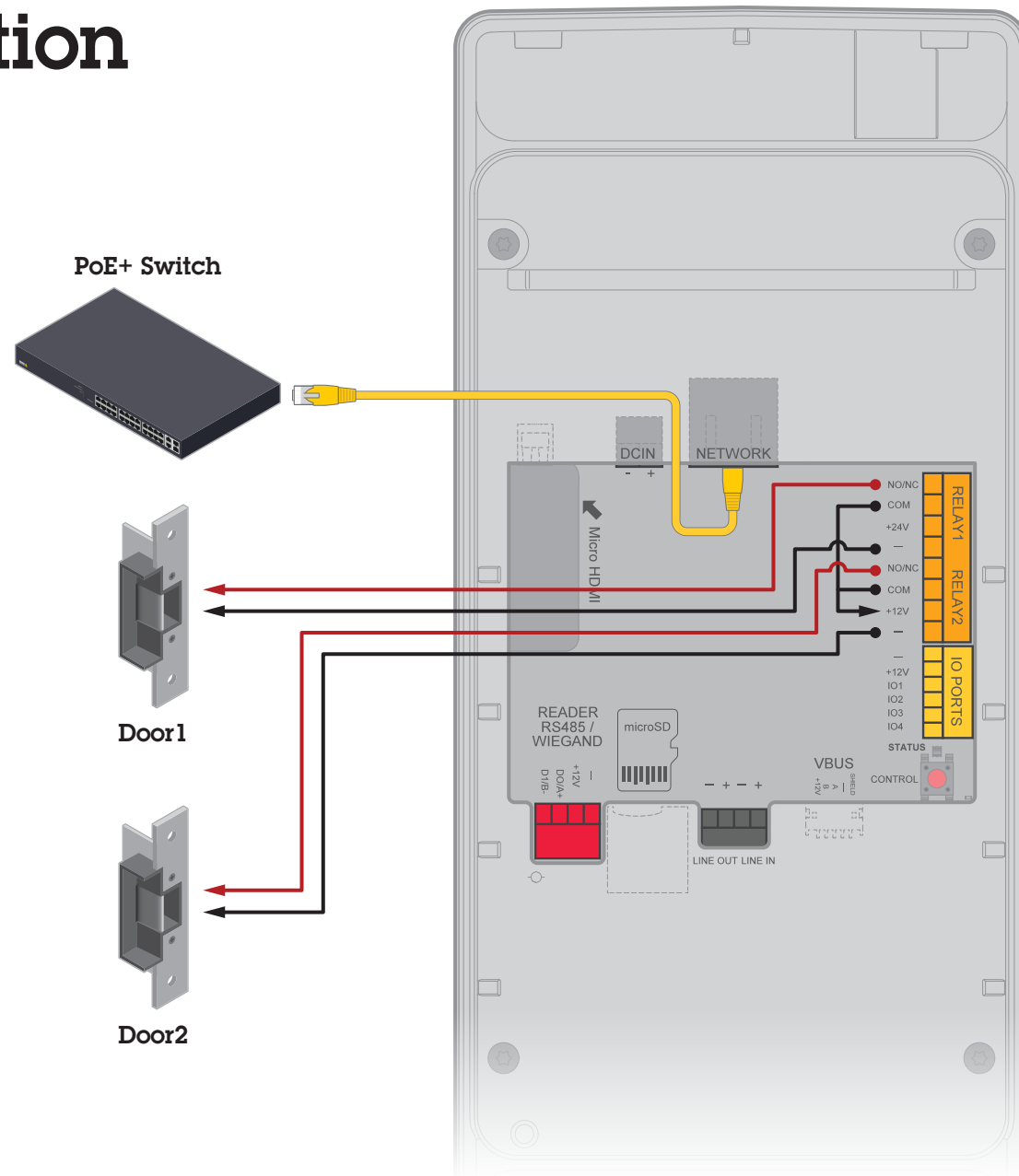


# AXIS A8207-VE installation

Two lock relays powered by PoE (12V)

## Configure relay state in the product's webpage

1. To check relay state, go to:  
**Hardware > I/O ports > Relays**
2. Click **Edit**.
3. Depending on your lock type, set **Normal state** to:  
**Open circuit** for a fail-secure lock  
**Closed circuit** for a fail-safe lock
4. Click **Save**.

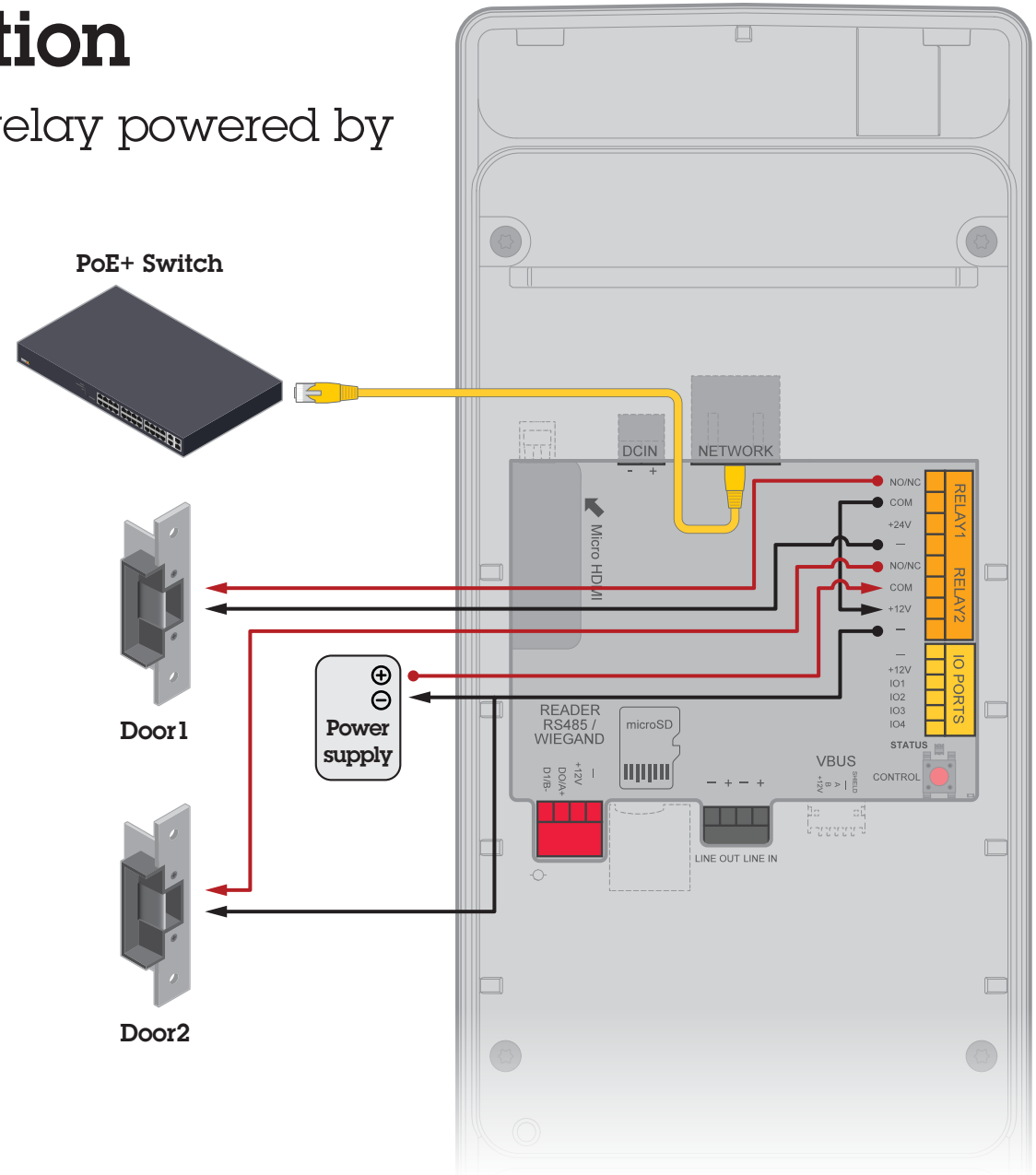


# AXIS A8207-VE installation

One relay powered by PoE (12V), one relay powered by external power supply

## Configure relay state in the product's webpage

1. To check relay state, go to:  
**Hardware > I/O ports > Relays**
2. Click **Edit**.
3. Depending on your lock type, set **Normal state** to:  
**Open circuit** for a fail-secure lock  
**Closed circuit** for a fail-safe lock
4. Click **Save**.

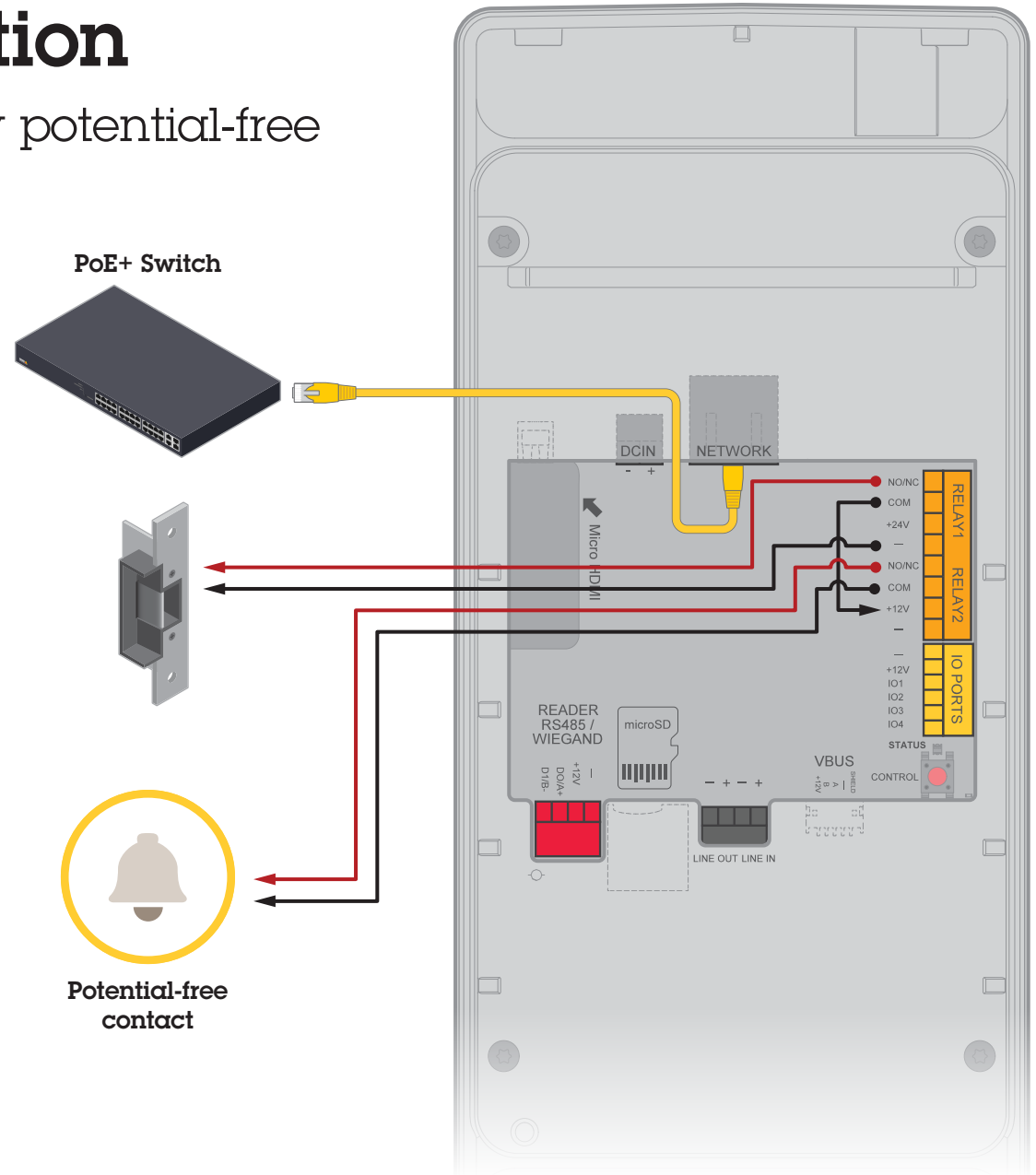


# AXIS A8207-VE installation

Relay powered by PoE (12V), one relay potential-free contact (door chimes etc.)

## Configure relay state in the product's webpage

1. To check relay state, go to:  
**Hardware > I/O ports > Relays**
2. Click **Edit**.
3. Depending on your lock type, set **Normal state** to:  
**Open circuit** for a fail-secure lock  
**Closed circuit** for a fail-safe lock
4. Click **Save**.

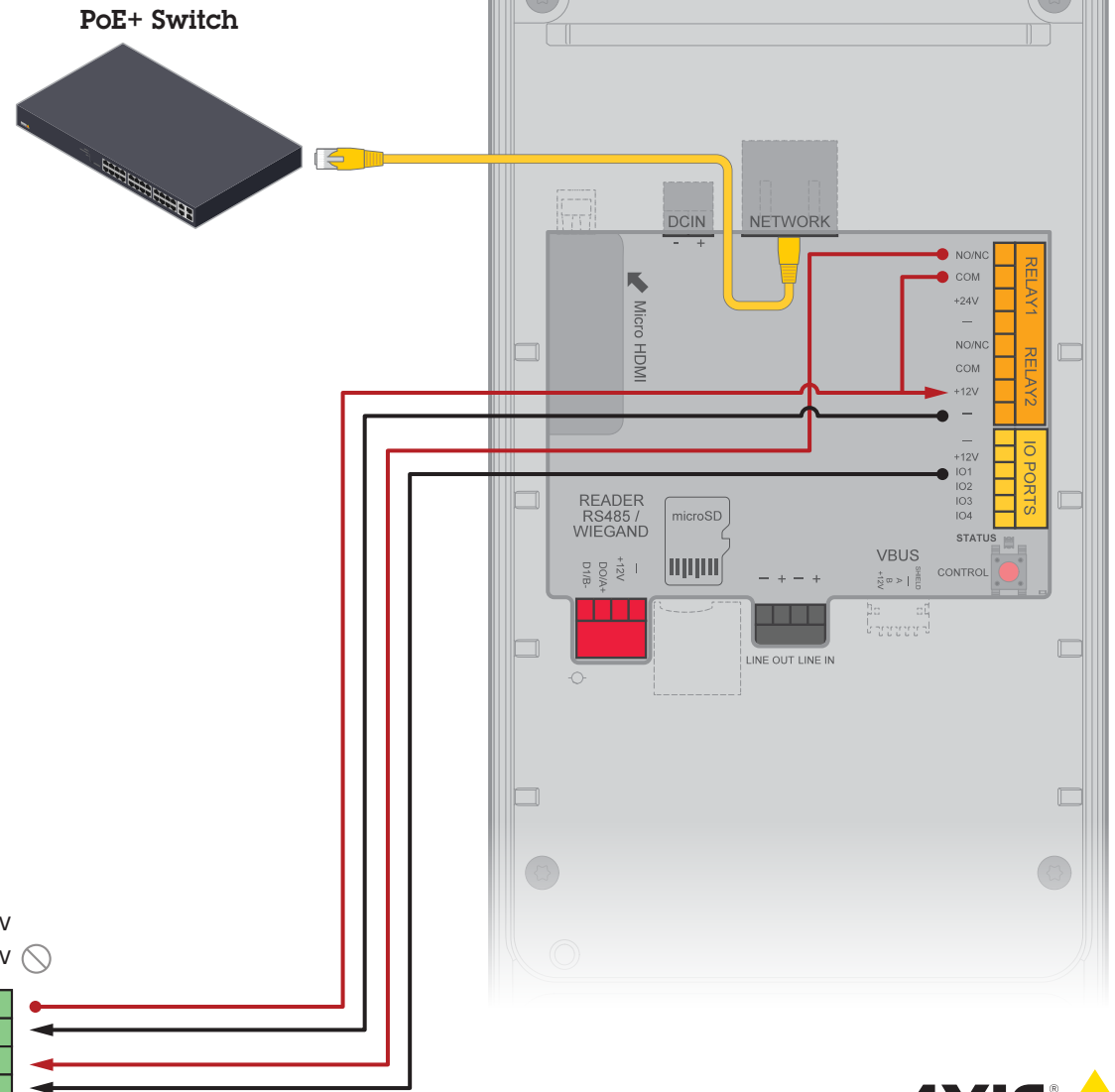
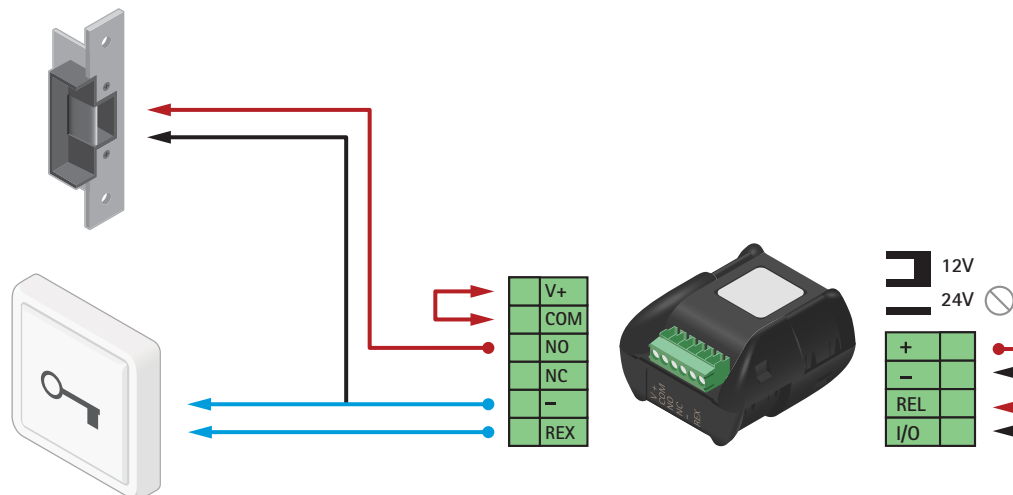


# AXIS A8207-VE installation

Power 12V fail-secure lock by PoE+ from Door Station

## Configure relay state in the product's webpage

1. To check relay state, go to:  
**Hardware > I/O ports > Relays**
2. Click **Edit**.
3. Depending on your lock type, set **Normal state** to:  
**Open circuit** for a fail-secure lock  
**Closed circuit** for a fail-safe lock
4. Click **Save**.

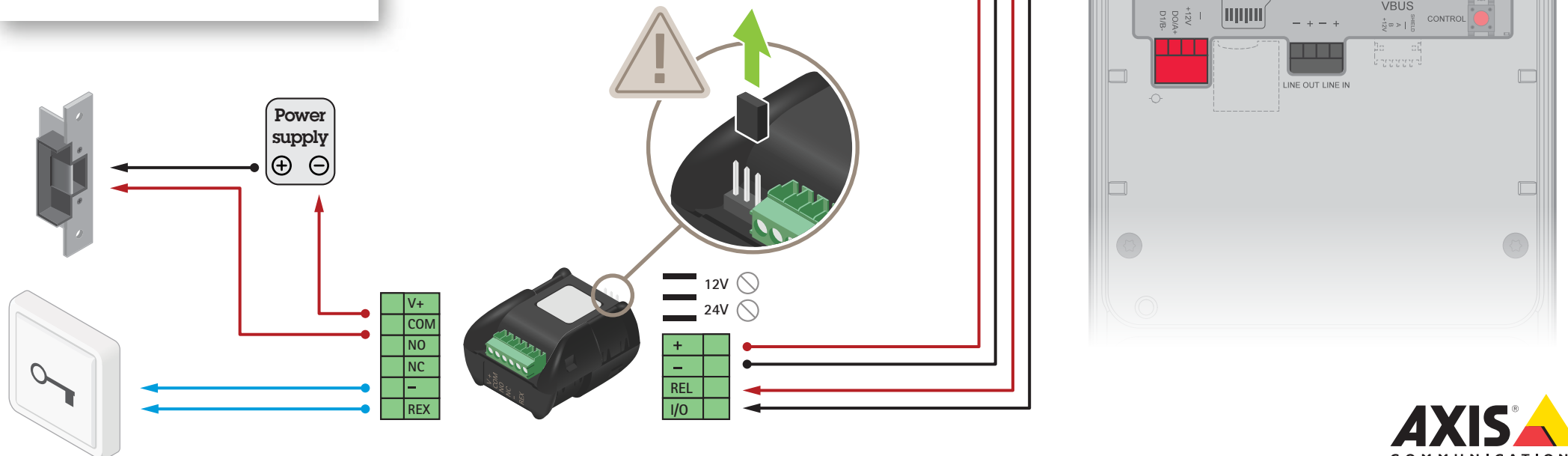


# AXIS A8207-VE installation

Power 12V fail-secure lock by PoE+ from Door Station

## Configure relay state in the product's webpage

1. To check relay state, go to:  
**Hardware > I/O ports > Relays**
2. Click **Edit**.
3. Depending on your lock type, set **Normal state** to:  
**Open circuit** for a fail-secure lock  
**Closed circuit** for a fail-safe lock
4. Click **Save**.

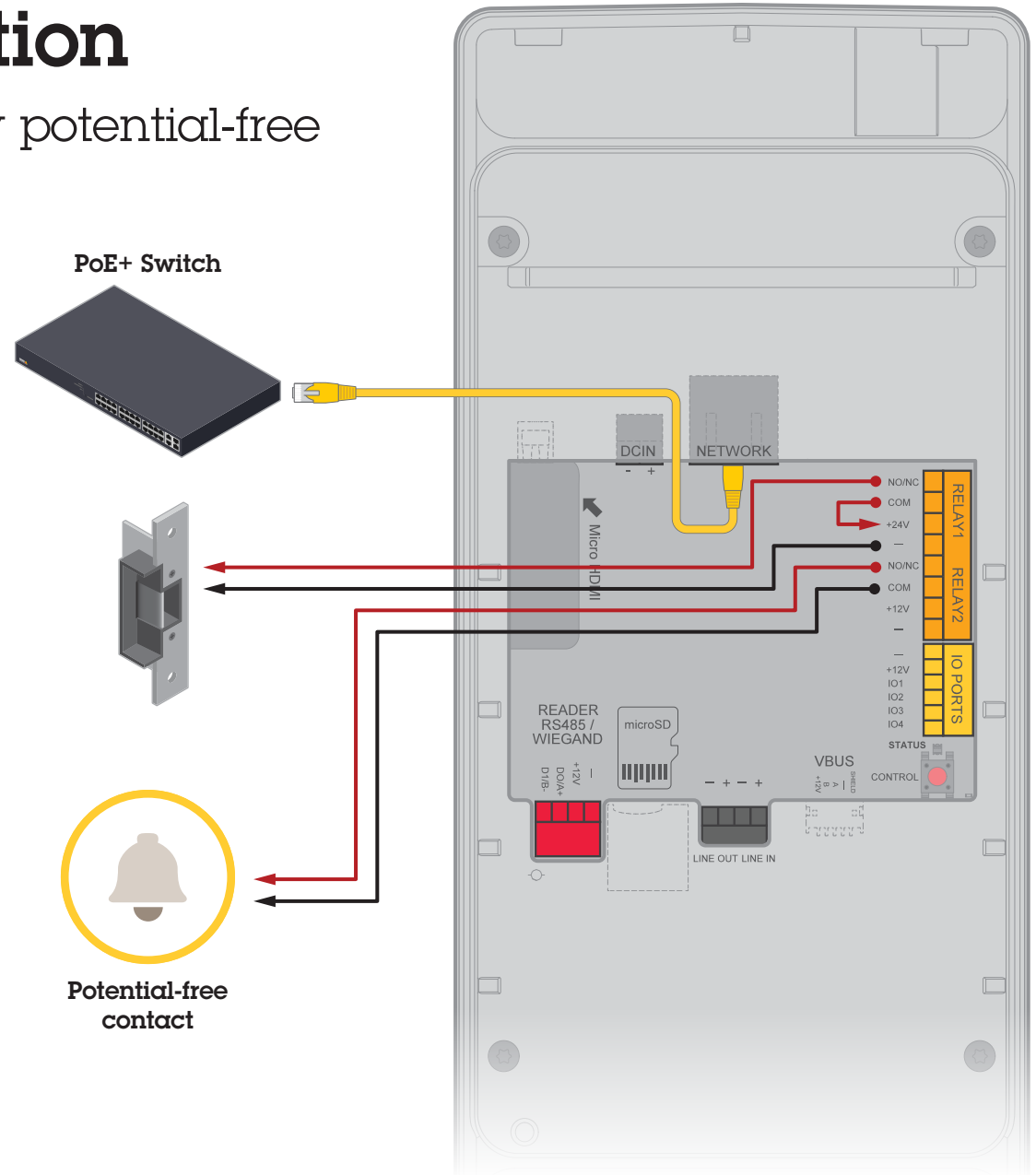


# AXIS A8207-VE installation

Relay powered by PoE (24V), one relay potential-free contact (door chimes etc.)

## Configure relay state in the product's webpage

1. To check relay state, go to:  
**Hardware > I/O ports > Relays**
2. Click **Edit**.
3. Depending on your lock type, set **Normal state** to:  
**Open circuit** for a fail-secure lock  
**Closed circuit** for a fail-safe lock
4. Click **Save**.



# AXIS A8207-VE installation

Wire reader to Door Controller using OSDP

**Configuration in the product's webpage**

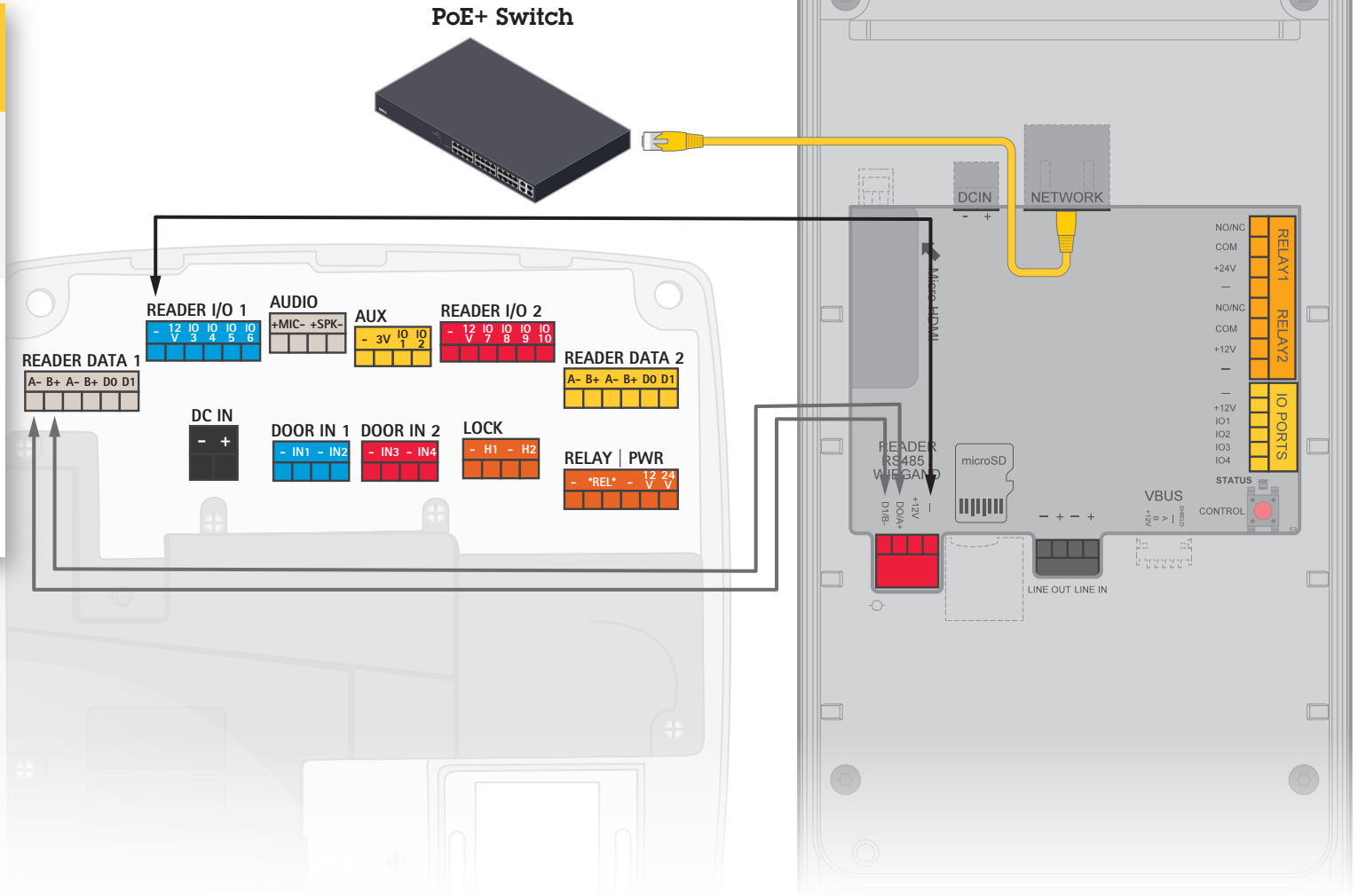
Reader

Reader protocol Card types Pin

**Protocol**

OSDP

Save





# AXIS A8207-VE installation

Wire reader to Door Controller using Wiegand

## Configuration in the product's webpage

Reader protocol **Card types** Pin

### Protocol

Wiegand

### Beeper

Activate beeper

Input for beeper

I3

### Inputs used for LED control

1

Input for LED1

I1

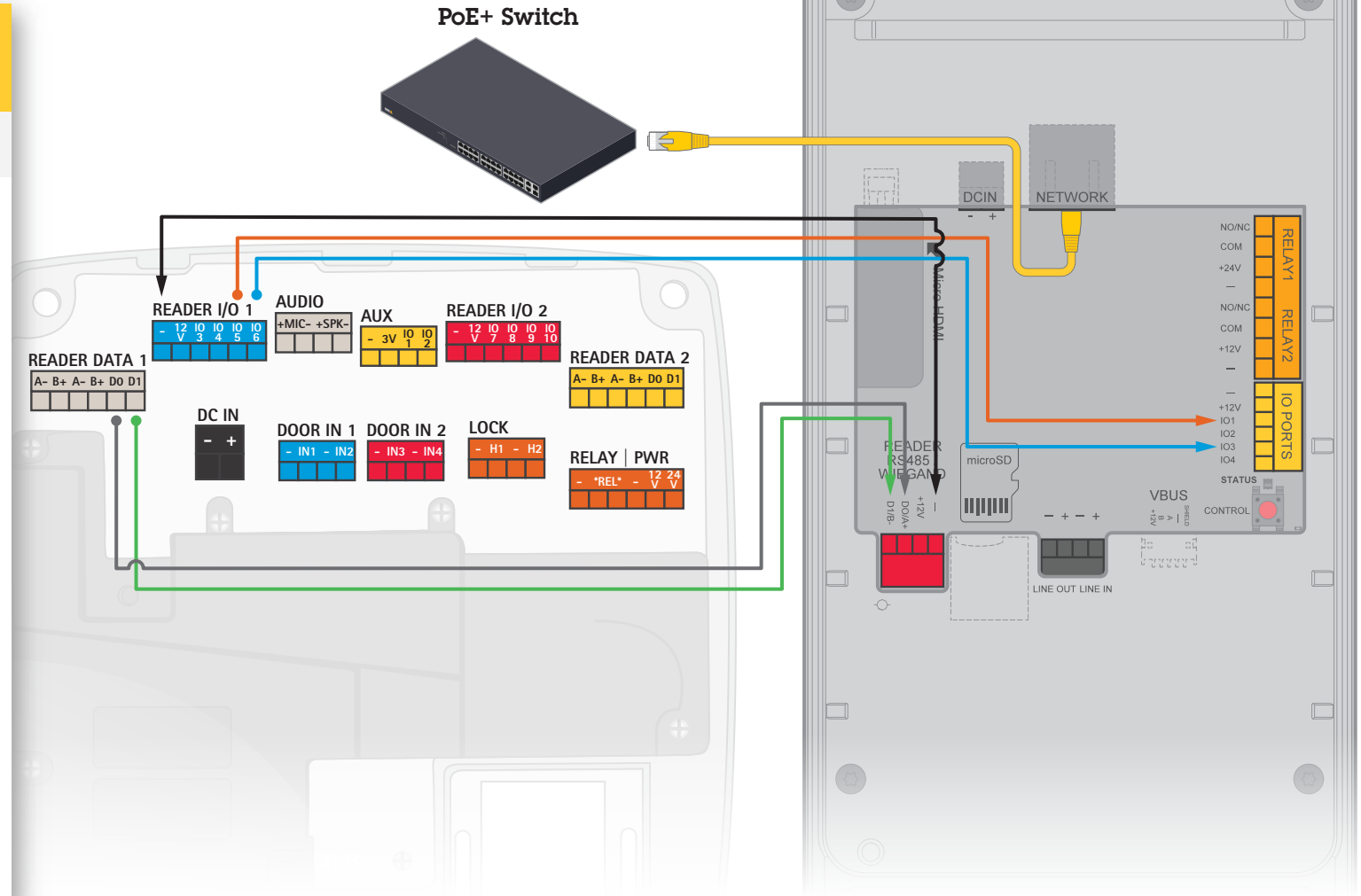
### Color for each state

Color for state low

red

Color for state high

green



# AXIS A8207-VE installation

Wire reader to AXIS Door Controller using VAPIX reader

**Configuration in the product's webpage**

Reader protocol   Card types   Pin

Protocol

VAPIX reader

+ Connect to Axis door controller

Save

