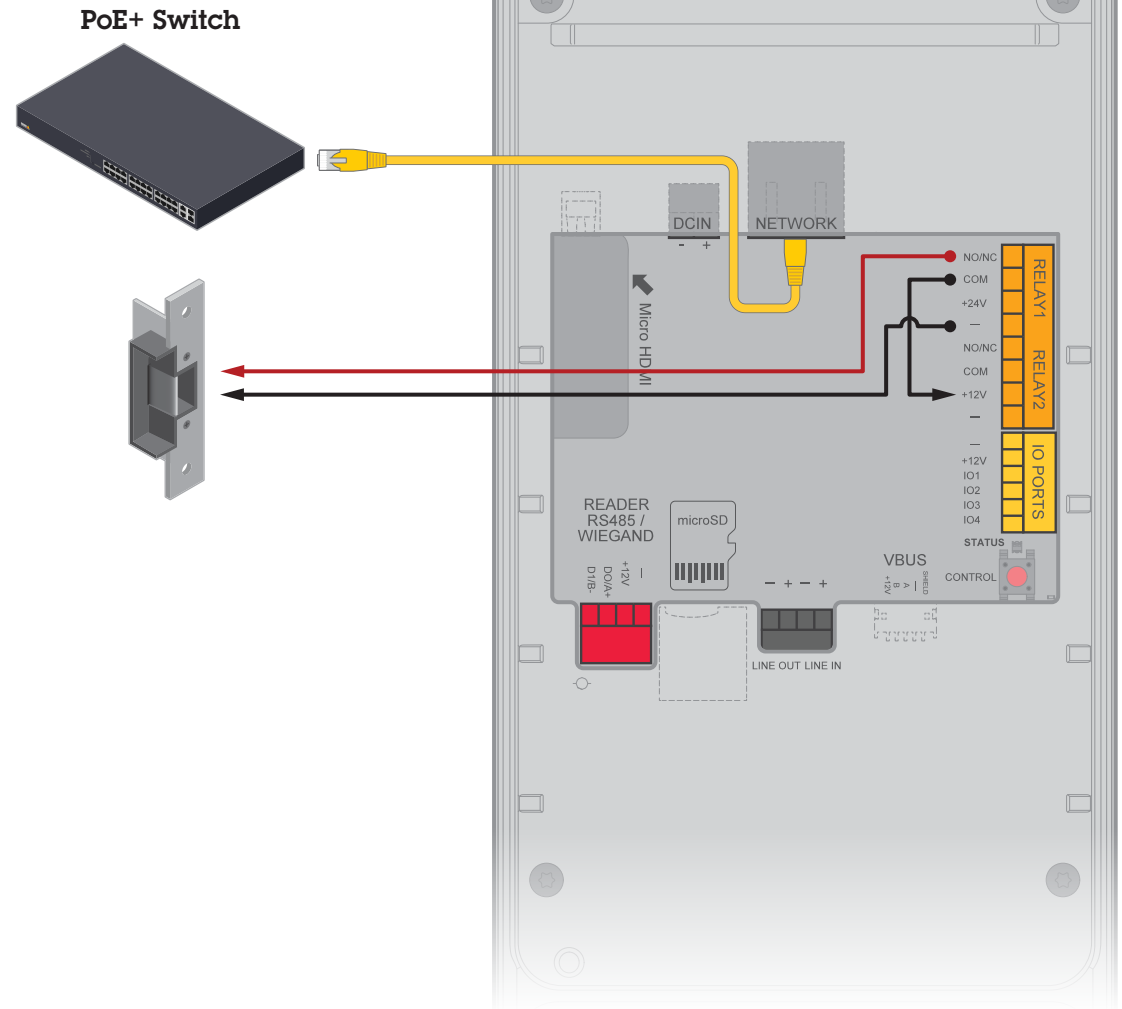


AXIS A8207-VE installation

Relay powered by PoE (12V)

Configure relay state in the product's webpage

1. To check relay state, go to:
Hardware > I/O ports > Relays
2. Click **Edit**.
3. Depending on your lock type, set **Normal state** to:
Open circuit for a fail-secure lock
Closed circuit for a fail-safe lock
4. Click **Save**.

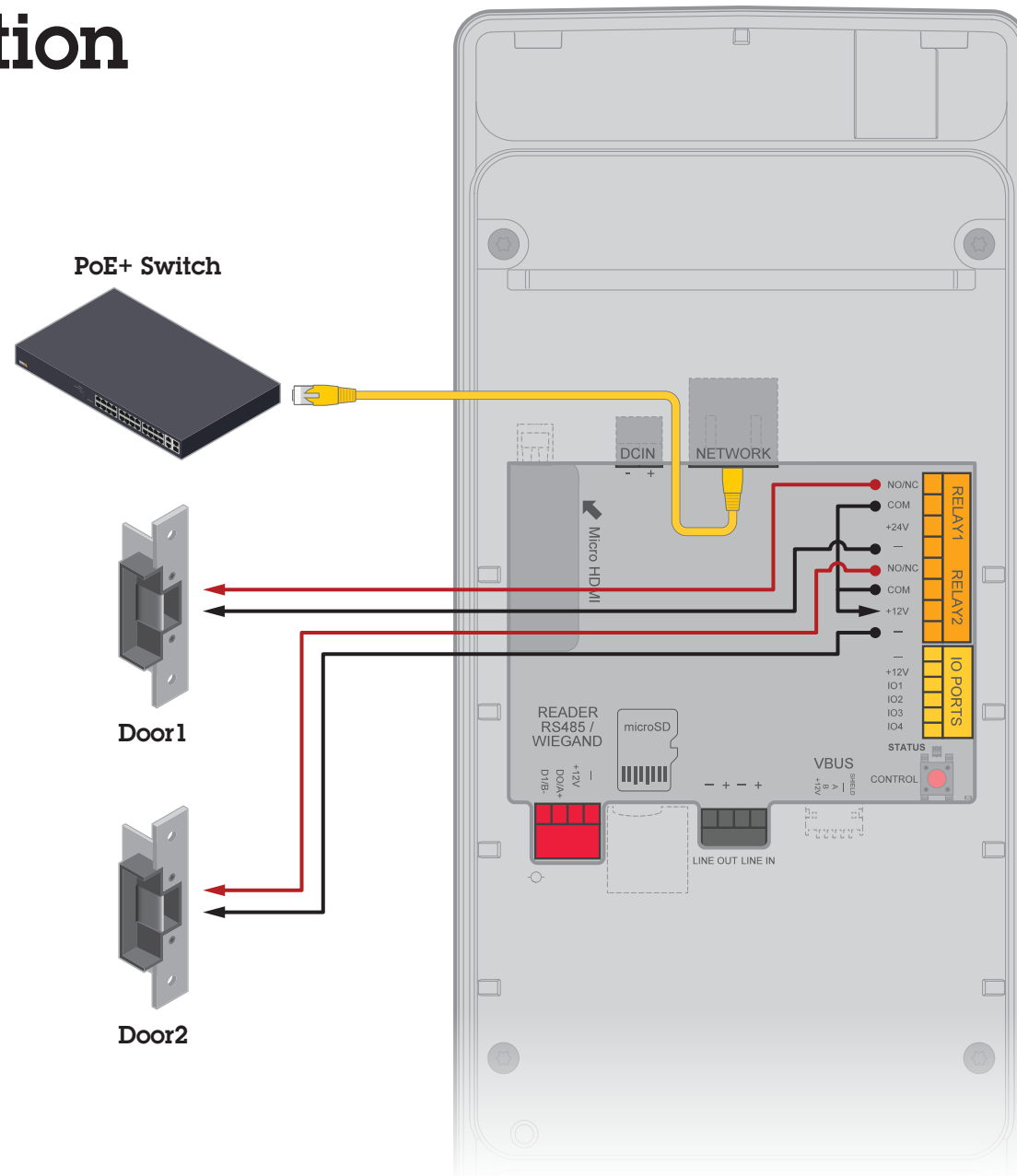


AXIS A8207-VE installation

Two lock relays powered by PoE (12V)

Configure relay state in the product's webpage

1. To check relay state, go to:
Hardware > I/O ports > Relays
2. Click **Edit**.
3. Depending on your lock type, set **Normal state** to:
Open circuit for a fail-secure lock
Closed circuit for a fail-safe lock
4. Click **Save**.

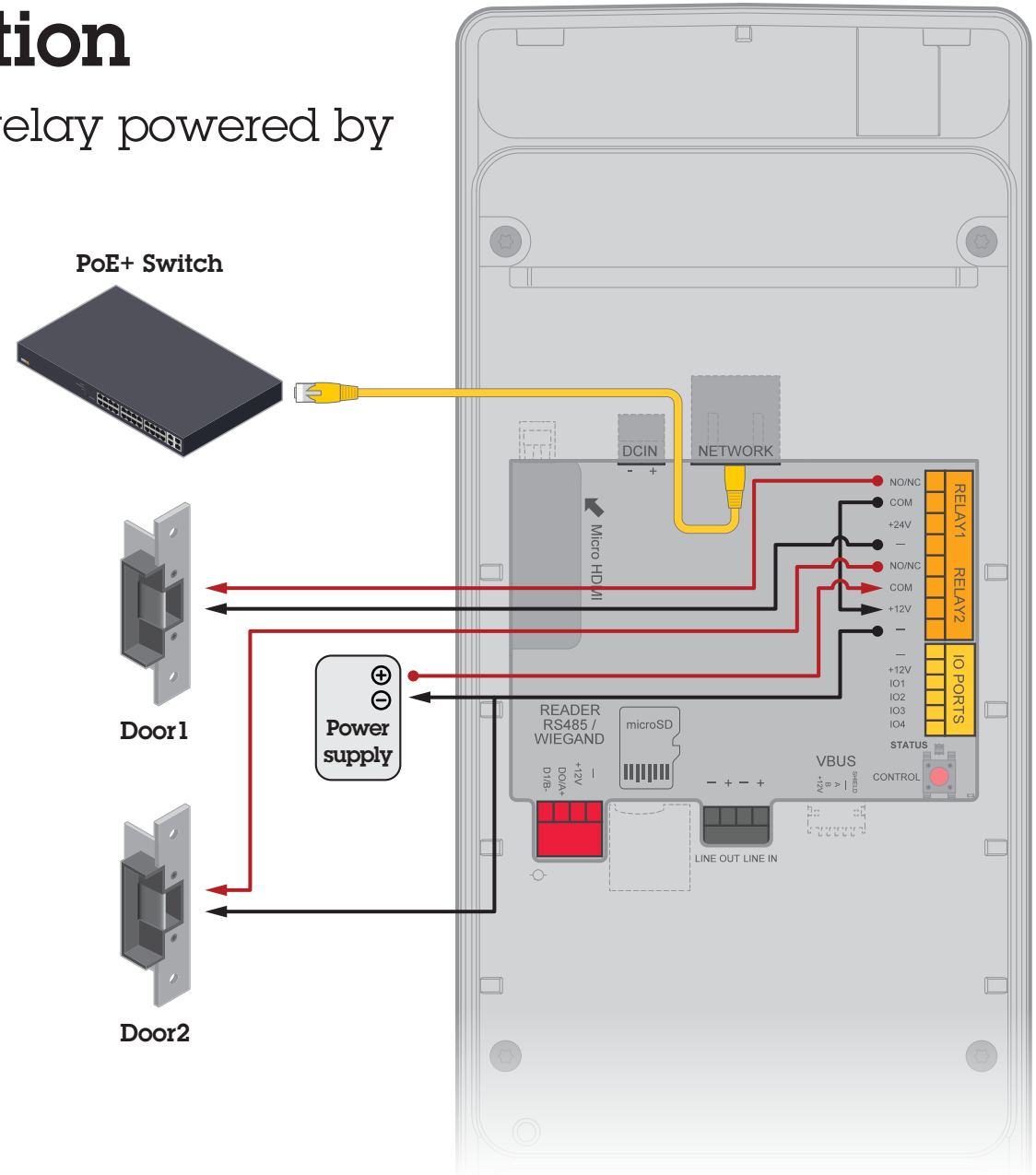


AXIS A8207-VE installation

One relay powered by PoE (12V), one relay powered by external power supply

Configure relay state in the product's webpage

1. To check relay state, go to:
Hardware > I/O ports > Relays
2. Click **Edit**.
3. Depending on your lock type, set **Normal state** to:
Open circuit for a fail-secure lock
Closed circuit for a fail-safe lock
4. Click **Save**.

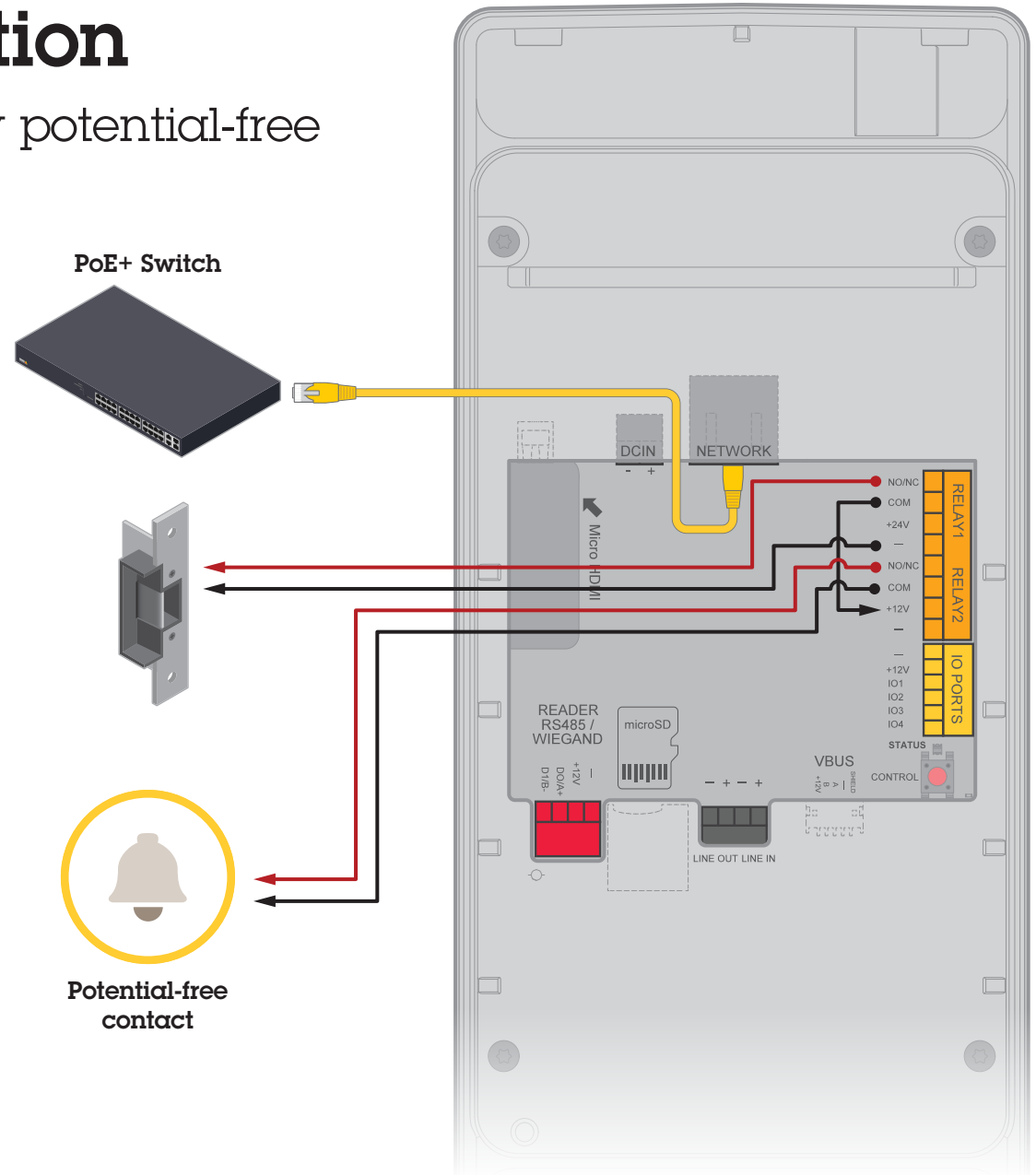


AXIS A8207-VE installation

Relay powered by PoE (12V), one relay potential-free contact (door chimes etc.)

Configure relay state in the product's webpage

1. To check relay state, go to:
Hardware > I/O ports > Relays
2. Click **Edit**.
3. Depending on your lock type, set **Normal state** to:
Open circuit for a fail-secure lock
Closed circuit for a fail-safe lock
4. Click **Save**.

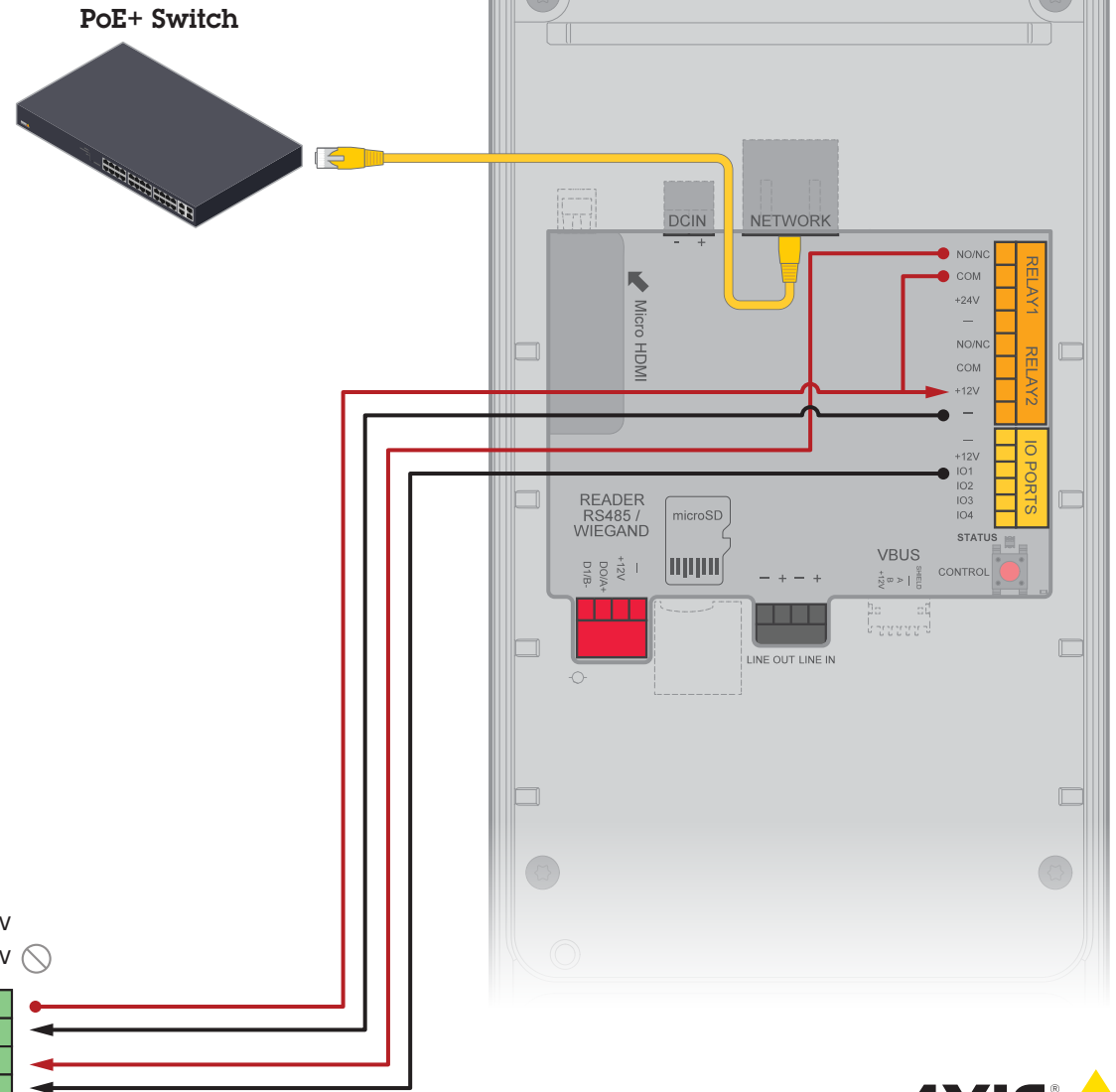
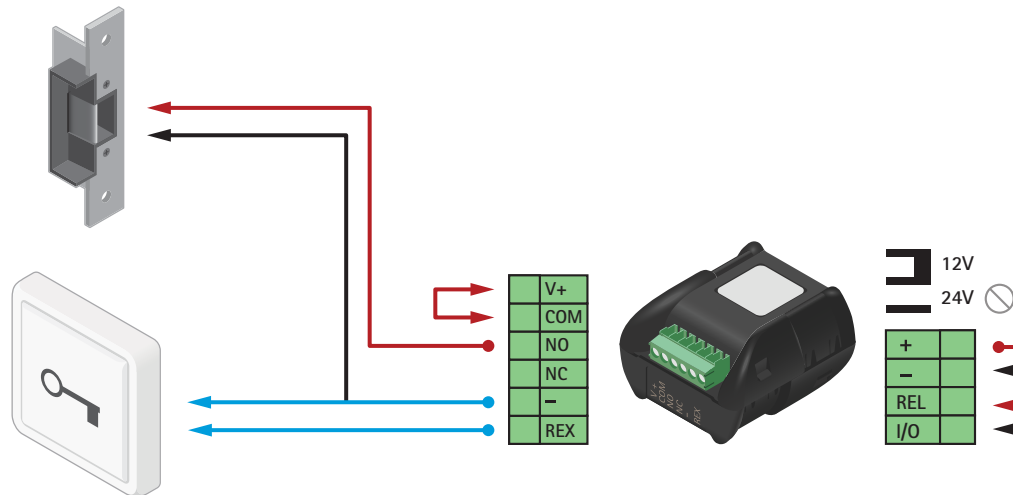


AXIS A8207-VE installation

Power 12V fail-secure lock by PoE+ from Door Station

Configure relay state in the product's webpage

1. To check relay state, go to:
Hardware > I/O ports > Relays
2. Click **Edit**.
3. Depending on your lock type, set **Normal state** to:
Open circuit for a fail-secure lock
Closed circuit for a fail-safe lock
4. Click **Save**.

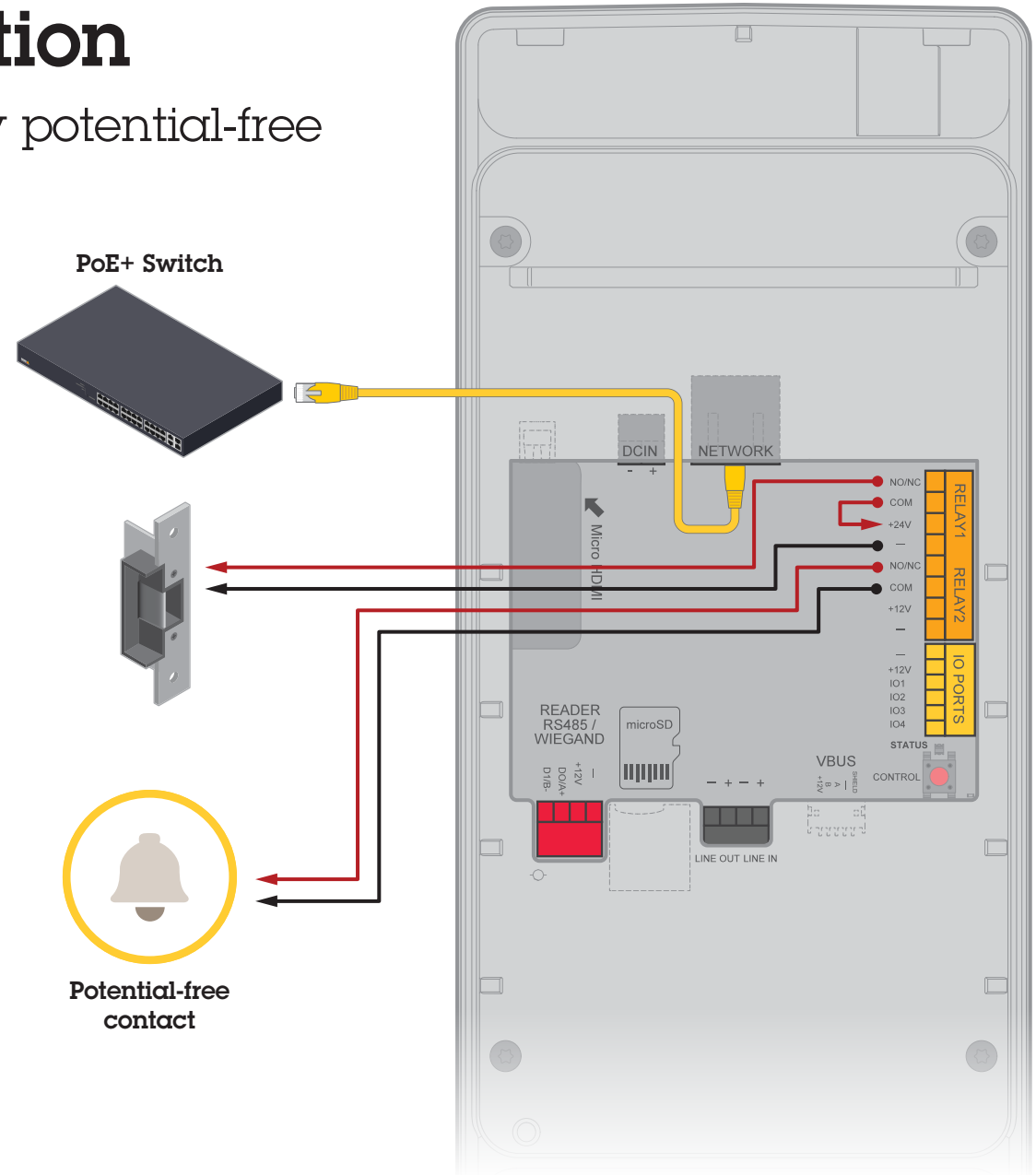


AXIS A8207-VE installation

Relay powered by PoE (24V), one relay potential-free contact (door chimes etc.)

Configure relay state in the product's webpage

1. To check relay state, go to:
Hardware > I/O ports > Relays
2. Click **Edit**.
3. Depending on your lock type, set **Normal state** to:
Open circuit for a fail-secure lock
Closed circuit for a fail-safe lock
4. Click **Save**.



AXIS A8207-VE installation

Wire reader to Door Controller using OSDP

Configuration in the product's webpage

Reader

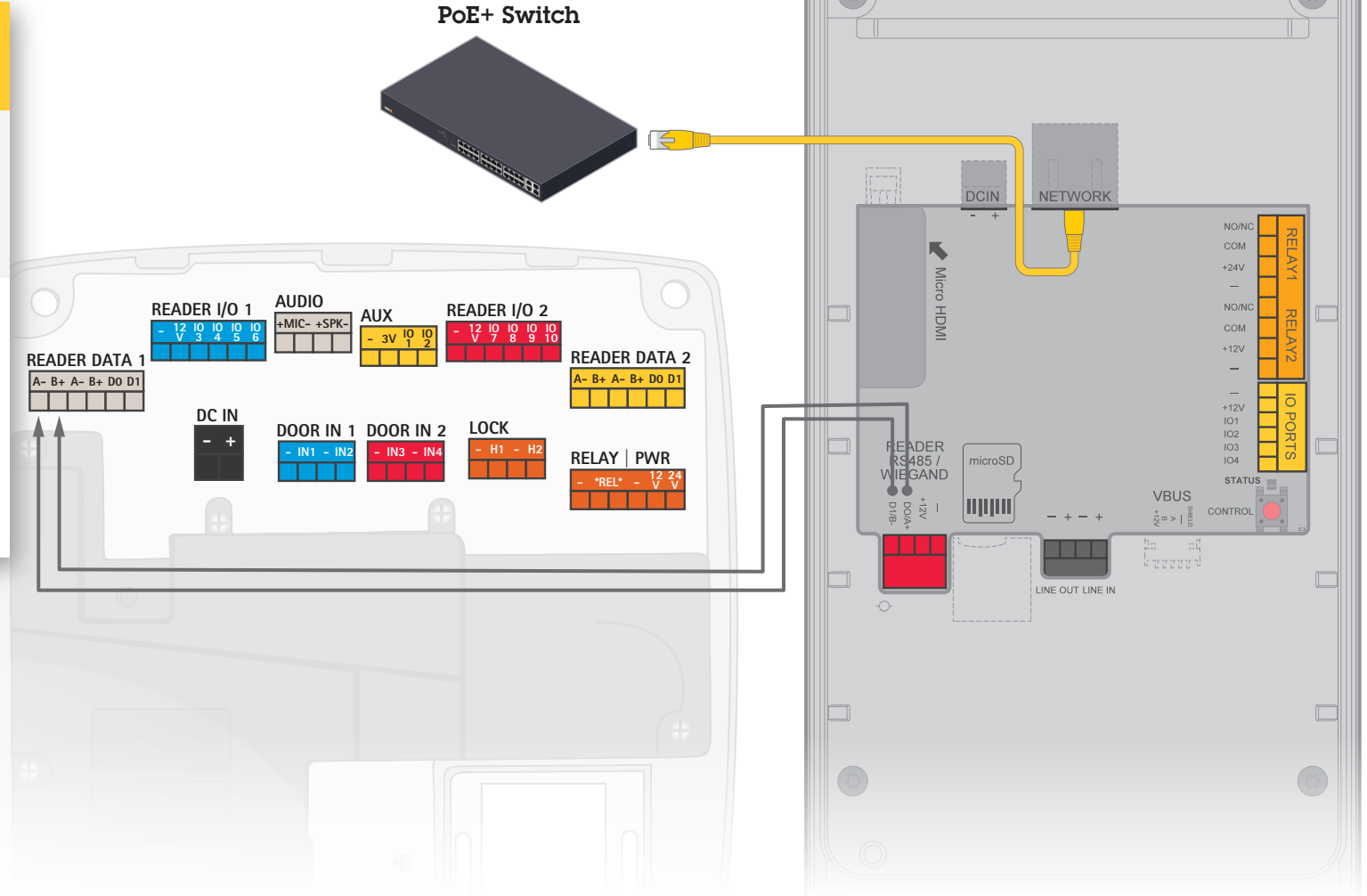
Reader protocol **Card types** Pin

Protocol

OSDP

Save

PoE+ Switch



AXIS A8207-VE installation

Wire reader to Door Controller using Wiegand

Configuration in the product's webpage

Reader protocol **Card types** Pin

Protocol

Wiegand

Beeper

Activate beeper

Input for beeper

I3

Inputs used for LED control

1

Input for LED1

I1

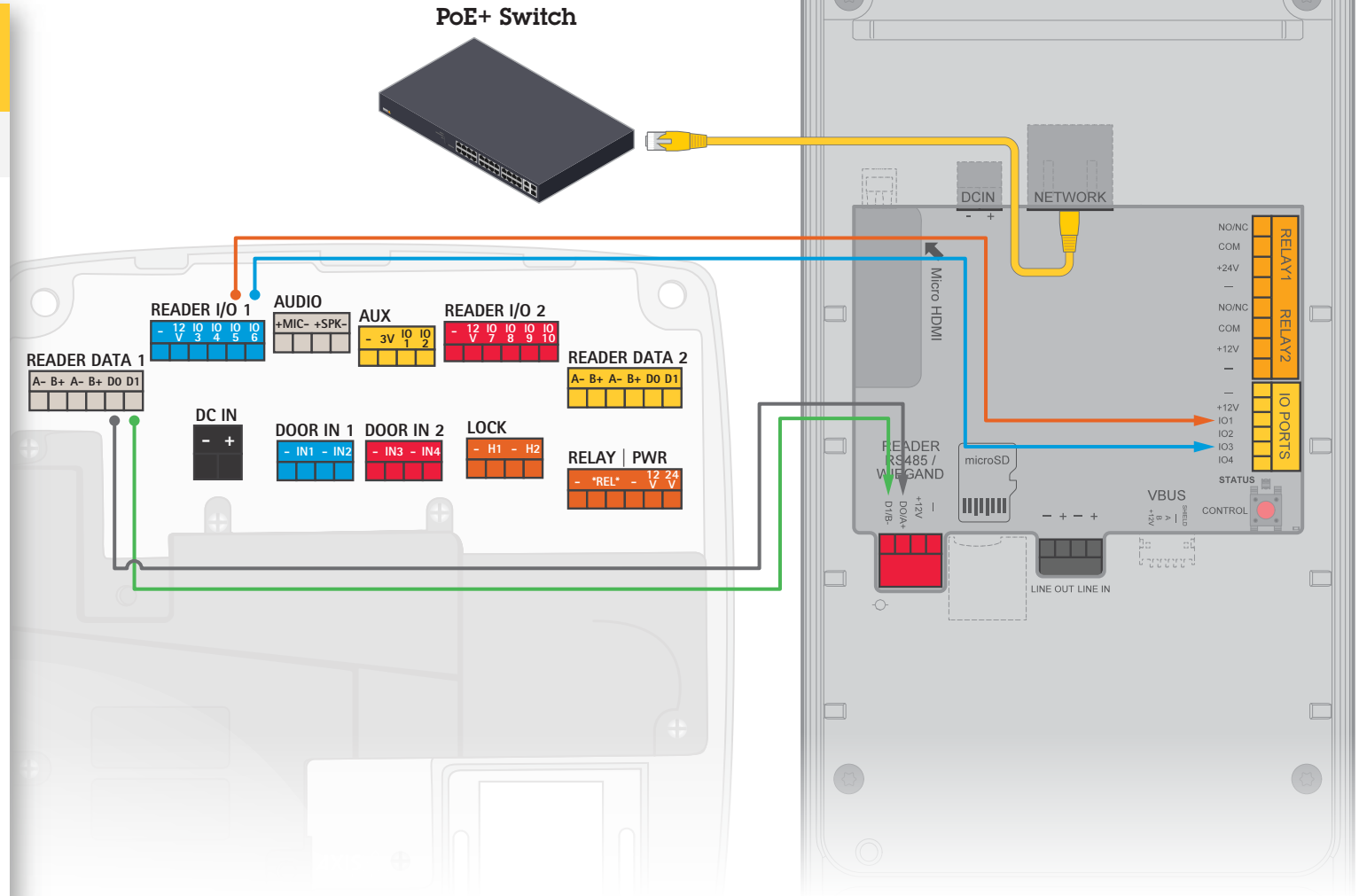
Color for each state

Color for state low

red

Color for state high

green



AXIS A8207-VE installation

Wire reader to AXIS Door Controller using VAPIX reader

Configuration in the product's webpage

Reader protocol Card types Pin

Protocol

VAPIX reader

+ Connect to Axis door controller

Save

