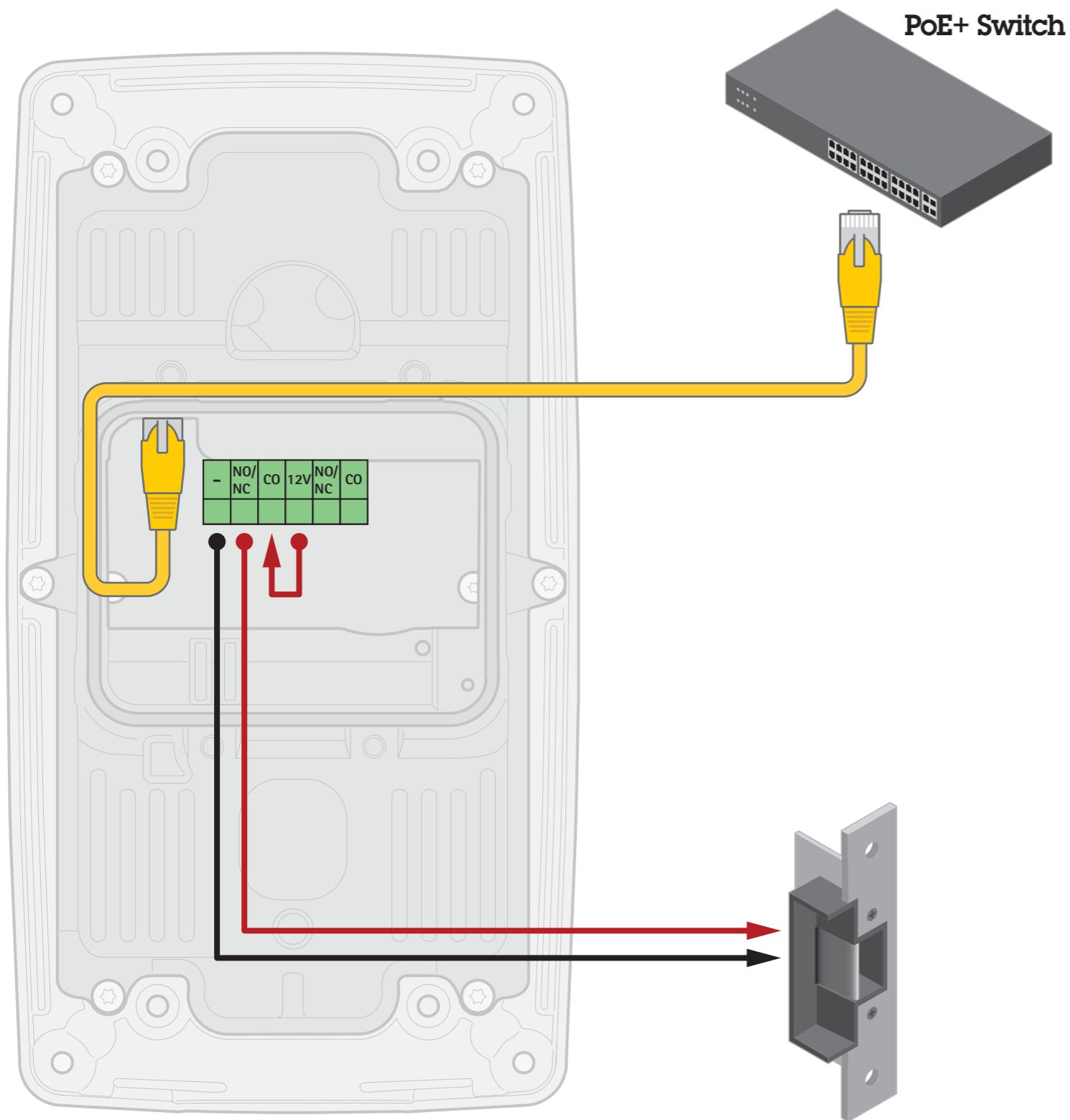


AXIS A8004-VE installation

Relay powered by PoE (12V)



Configure relay state in AXIS A8004-VE built-in web pages

1. To check relay state, go to:
Setup > System Options > Ports & Devices > I/O ports
2. Depending on your lock type, configure the following values for **RELAY**, and click **Save**.

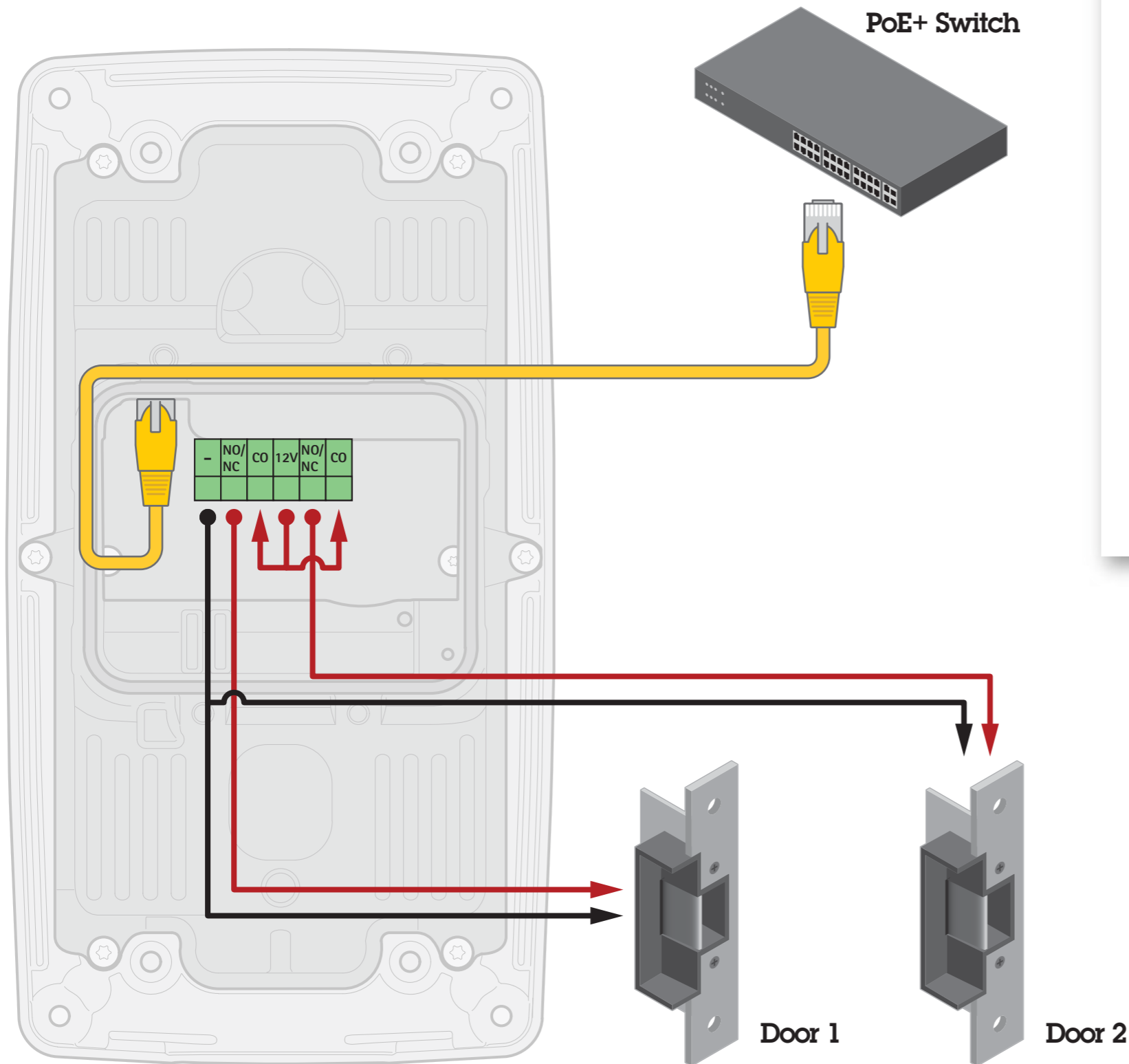
Open circuit for a fail-secure lock

Closed circuit for a fail-safe lock

I/O	Port Type	Name	Usage	Normal state is...	Current Status
RELAY1	Relay	Door	Door	Open circuit ▼ Open circuit Closed circuit	Open circuit

AXIS A8004-VE installation

Two lock relays powered by PoE (12V)



Configure relay state in AXIS A8004-VE built-in web pages

1. To check relay state, go to:
Setup > System Options > Ports & Devices > I/O ports
2. Depending on your lock type, configure the following values for **RELAY**, and click **Save**.

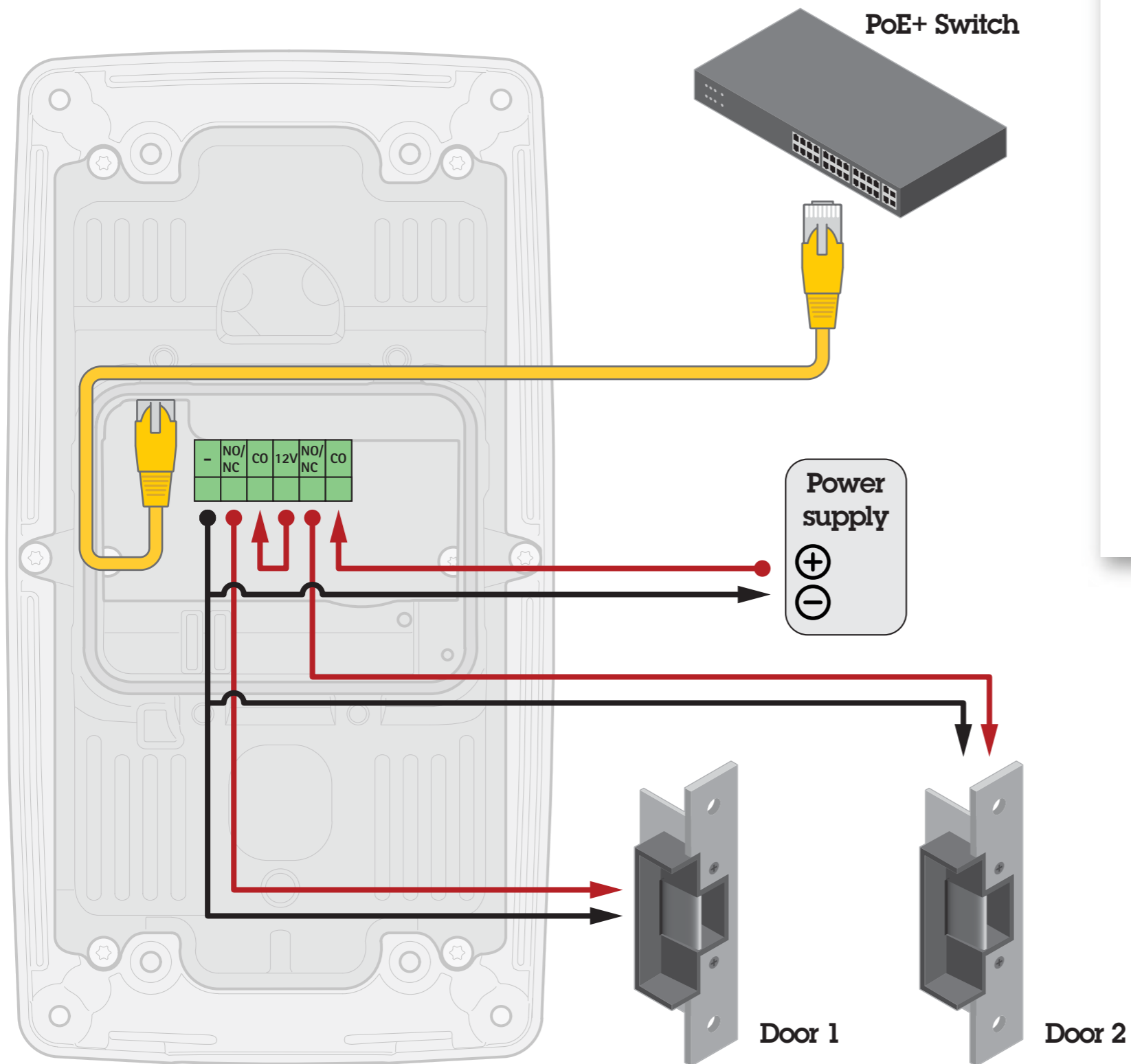
Open circuit for a fail-secure lock

Closed circuit for a fail-safe lock

I/O	Port Type	Name	Usage	Normal state is...	Current Status
RELAY1	Relay	Door 1	Door	Open circuit ▼	Open circuit
RELAY2	Relay	Door 2		Open circuit ▼ Open circuit Closed circuit	Open circuit

AXIS A8004-VE installation

One relay powered by PoE (12V), one relay powered by external power supply (max 0.7A at 30V)



Configure relay state in AXIS A8004-VE built-in web pages

1. To check relay state, go to:
Setup > System Options > Ports & Devices > I/O ports
2. Depending on your lock type, configure the following values for **RELAY**, and click **Save**.

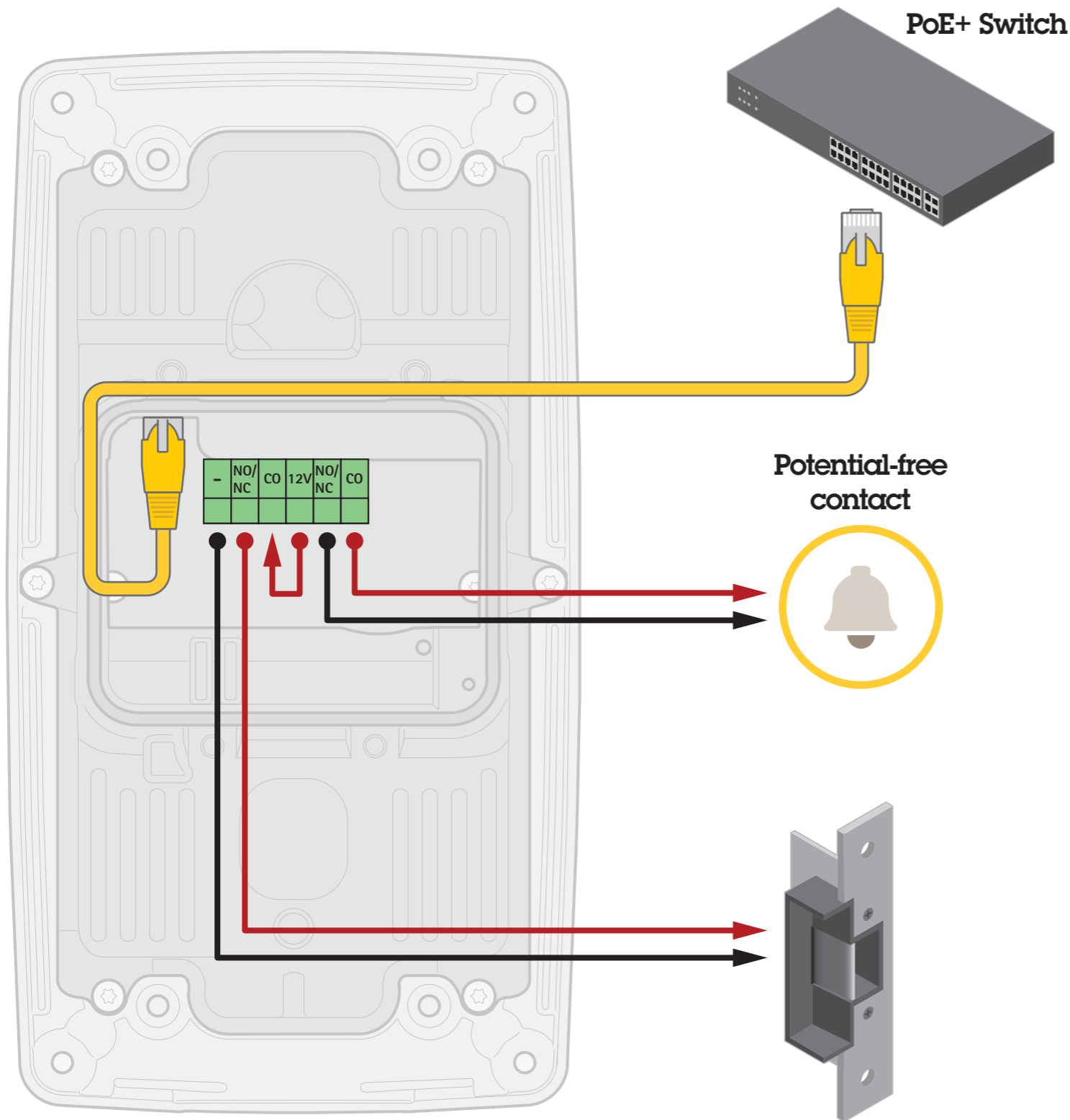
Open circuit for a fail-secure lock

Closed circuit for a fail-safe lock

I/O	Port Type	Name	Usage	Normal state is...	Current Status
RELAY1	Relay	Door 1	Door	Open circuit ▼	Open circuit
RELAY2	Relay	Door 2		Open circuit ▼ Open circuit Closed circuit	Open circuit

AXIS A8004-VE installation

One relay powered by PoE (12V), one relay potential-free contact (door chimes etc.)



Configure relay state in AXIS A8004-VE built-in web pages

1. To check relay state, go to:
Setup > System Options > Ports & Devices > I/O ports
2. Depending on your lock type, configure the following values for **RELAY**, and click **Save**.

Open circuit for a fail-secure lock

Closed circuit for a fail-safe lock

I/O	Port Type	Name	Usage	Normal state is...	Current Status
RELAY1	Relay	Door	Door	Open circuit ▼ Open circuit Closed circuit	Open circuit
RELAY2	Relay	Other		Open circuit ▼	Open circuit

AXIS A8004-VE installation

Power 12V fail-secure lock by PoE+ from door station

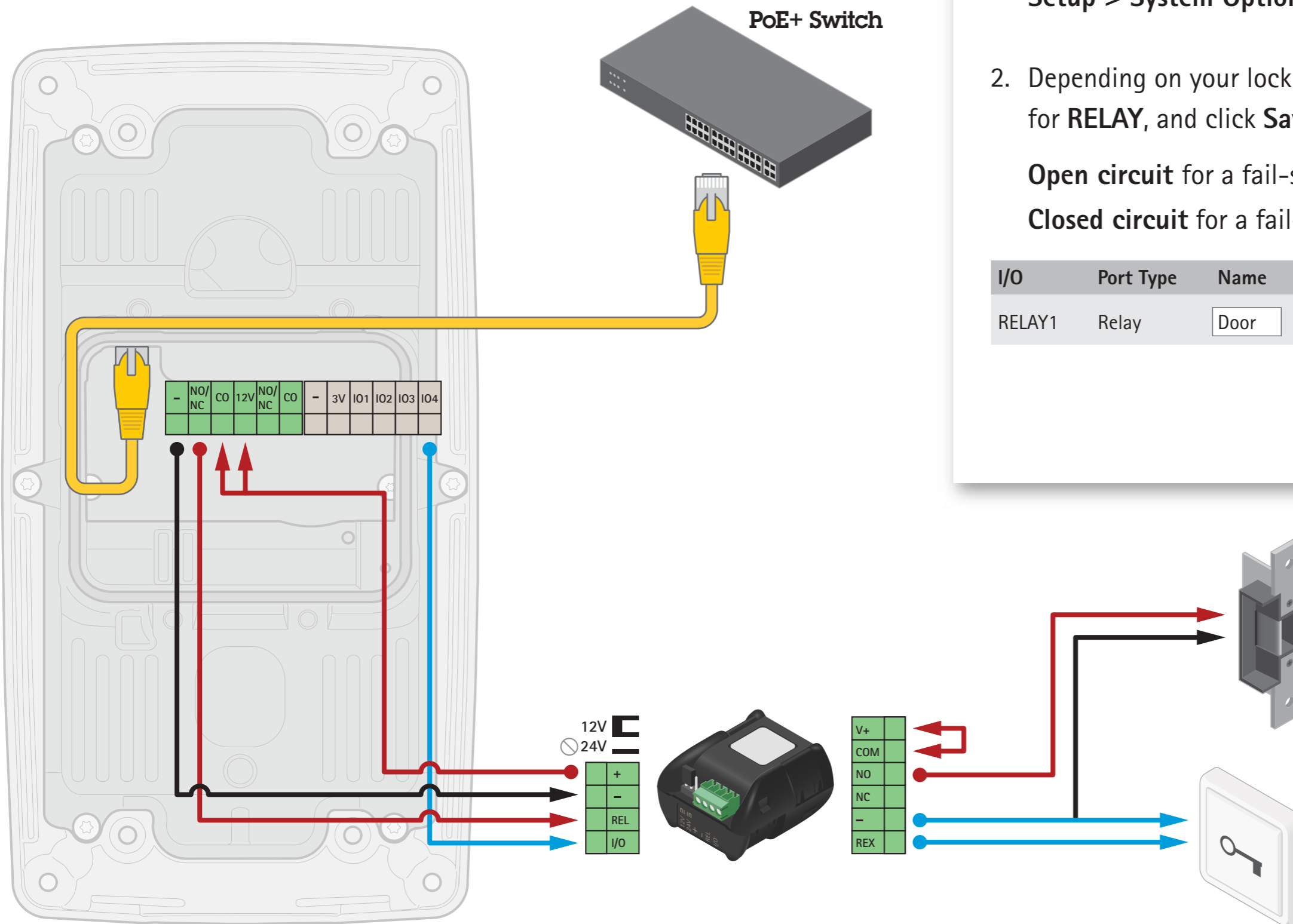
Configure relay state in AXIS A8004-VE built-in web pages

1. To check relay state, go to:
Setup > System Options > Ports & Devices > I/O ports
2. Depending on your lock type, configure the following values for **RELAY**, and click **Save**.

Open circuit for a fail-secure lock

Closed circuit for a fail-safe lock

I/O	Port Type	Name	Usage	Normal state is...	Current Status
RELAY1	Relay	Door	Door	Open circuit ▼ Open circuit Closed circuit	Open circuit



AXIS A8004-VE installation

Power 24V fail-secure lock by PoE+ from door station

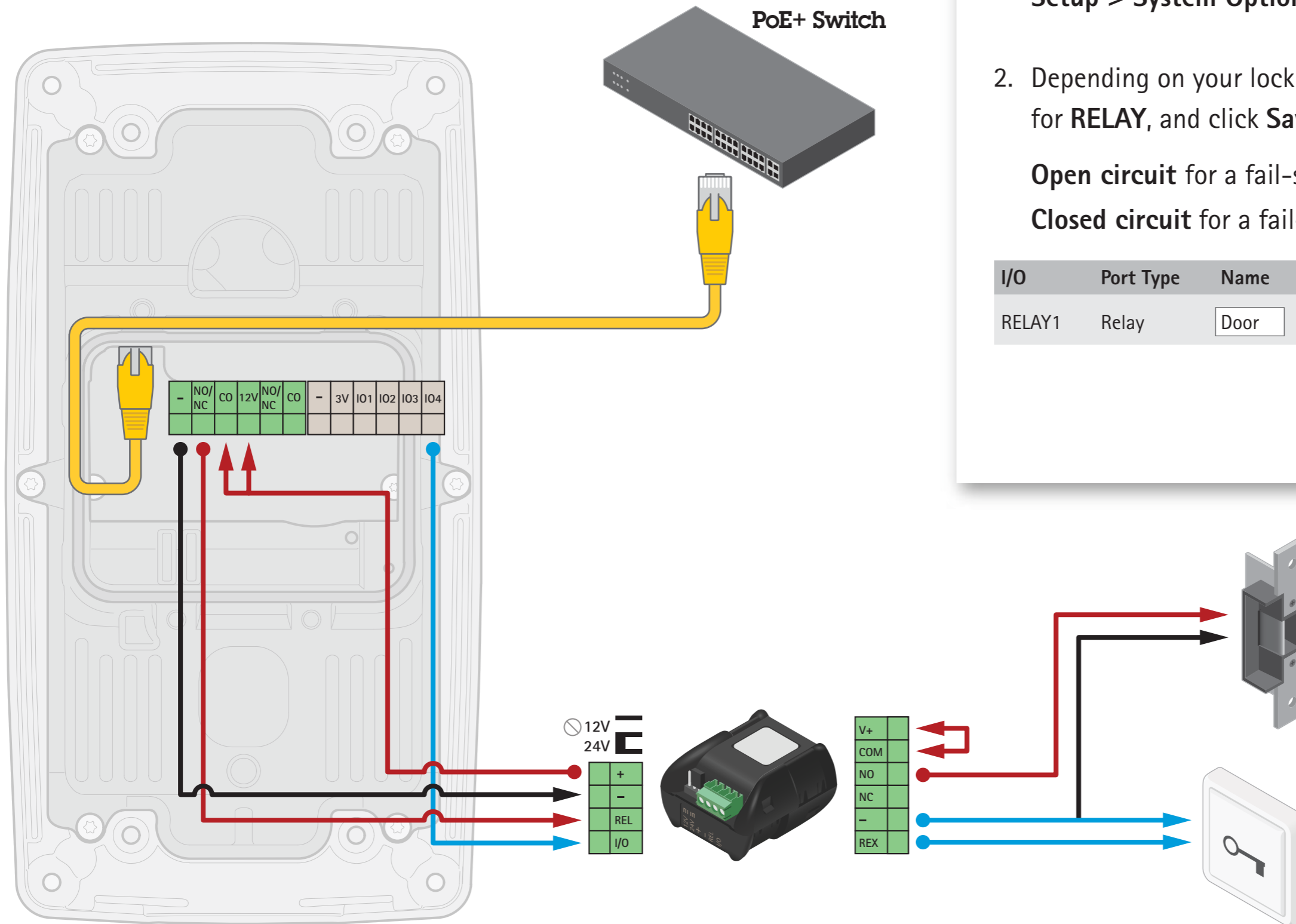
Configure relay state in AXIS A8004-VE built-in web pages

- To check relay state, go to:
Setup > System Options > Ports & Devices > I/O ports
- Depending on your lock type, configure the following values for **RELAY**, and click **Save**.

Open circuit for a fail-secure lock

Closed circuit for a fail-safe lock

I/O	Port Type	Name	Usage	Normal state is...	Current Status
RELAY1	Relay	Door	Door	Open circuit ▼ Open circuit Closed circuit	Open circuit



AXIS A8004-VE installation

Power 12V fail-secure lock by external power supply

Configure relay state in AXIS A8004-VE built-in web pages

- To check relay state, go to:
Setup > System Options > Ports & Devices > I/O ports
- Depending on your lock type, configure the following values for **RELAY**, and click **Save**.

Open circuit for a fail-secure lock

Closed circuit for a fail-safe lock

I/O	Port Type	Name	Usage	Normal state is...	Current Status
RELAY1	Relay	Door	Door	Open circuit ▼ Open circuit Closed circuit	Open circuit

