

## Installing the AXIS 215 PTZ in the Videotec DBH24K Housing

This document is an addendum to the **Installation Kit for PTZ Camera (AXIS 2130R and AXIS 213)** and the **AXIS 215 PTZ Installation Guide** and describes how to install an AXIS 215 PTZ Network Camera in the Videotec DBH24K Dome Housing. Please read through the supplied instructions before proceeding with the installation.

### Important!

**High voltage** - the apparatus works on 230V AC. Always ensure that the power is disconnected before starting any work or opening the housing. This product should be installed by certified electrical technicians in compliance with local laws and regulations. Use cable glands and cables that are suitable for external use and are in compliance with local laws and regulations.

### Before you begin

The following is needed to complete the installation:

- Videotec DBH24K Dome Housing including:
  - wall/ceiling/pole mounting accessories
- VT Dome Adapter AXIS 215 PTZ including:
  - bracket with heater and fan (AXIS 213/AXIS 215 PTZ)
  - bracket (AXIS 213/AXIS 215 PTZ)
  - adapter plate (AXIS 215 PTZ)
  - double sided adhesive tape
  - 2 M5x8 screws
  - 4 M4x6 screws
- AXIS 215 PTZ Network Camera including:
  - power adapter
- Additional hardware requirements (not supplied):
  - Standard mains power cable
  - a standard network cable
  - conduits suitable for the intended installation
  - plugs and screws suitable for the wall material and for the weight of the camera and housing



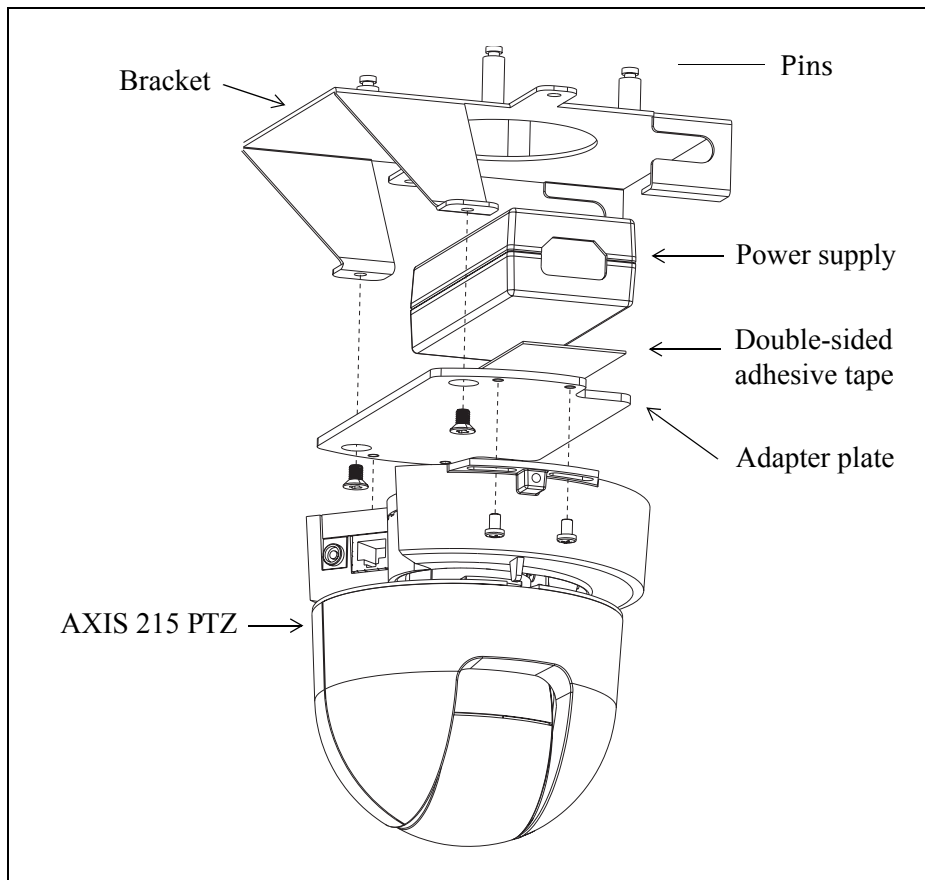
**Note:** Part numbers and details are available from the Axis website at [www.axis.com](http://www.axis.com)

1. Follow the instructions in the **Installation Kit for PTZ Camera (AXIS 2130R and AXIS 213)** to assemble the housing.

**Note:** This information also applies to the AXIS 215 PTZ

2. Follow the instructions below to continue the installation of the AXIS 215 PTZ and brackets in the housing.

## Install the AXIS 215 PTZ and bracket



1. Attach the AXIS 215 PTZ to the adapter plate using the supplied screws.
2. Attach the power supply to the adapter plate using the double-sided adhesive tape.
3. Align the screw holes in the adapter plate with the screw holes in the bracket. Using the supplied screws, securely attach the bracket.

Refer to the **AXIS 215 PTZ Installation Guide** for information on how to install the camera on the network. The **AXIS 215 PTZ Installation Guide** is available from the Axis Web site at [www.axis.com](http://www.axis.com) or from the **AXIS Network Video CD** supplied with the camera.

## Complete the installation

Once the camera has been installed and the IP address has been set, fit the dome glass into the slots on the inner dome casing and turn clockwise. Align the holes for the safety screw and fasten the screw securely.

The installation is now complete.

