

# VB-S30D Mk II

Comprehensively protect your environment with a Canon PTZ minidome network camera.

The easy-to-install Full HD PTZ Minidome network security camera with ultra-compact zoom lens technology. Ideal for indoor security and monitoring in businesses and venues.



- Discrete ultra-compact PTZ Minidome design
- Full HD at 30fps for detailed images
- CMOS sensor delivers high performance in low light
- 3.5x optical zoom (4x digital zoom) with 77.7° wide Angle of View
- Pan, Tilt, Zoom (PTZ) capability to programmed pre-set positions
- Multi-streaming of MJPEG and H.264 video in Full HD or lower resolutions
- Direct recording / playback from microSD card (64GB)
- Auto Smart Shade Control (Auto-SSC) applies the ideal exposure for every environment
- Motion Adaptive Noise Reduction and Area-Specific Data Size Reduction (ADSR) help reduce data size while optimising image quality
- Built-in analytics functions for intelligent and efficient alarm detection
- Live monitoring and configuration on supported web browsers and mobile devices
- ONVIF® Profile S compliant
- Compact size: just 120mm in diameter and 54mm in height



**Canon**

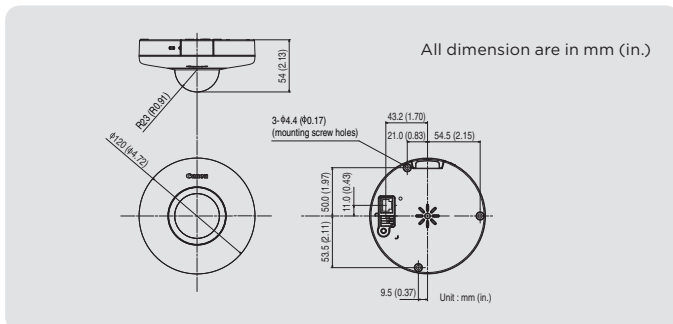
# Technical Specifications

# VB-S30D Mk II

CAMERA	
<b>Image Sensor</b>	1/4.85 type CMOS (primary Colour filter)
<b>Number of Effective Pixels</b>	Approx. 2.1 million pixels
<b>Scanning Method</b>	Progressive
<b>Lens</b>	3.5x optical (4x digital zoom) zoom lens with auto focus
<b>Focal Length</b>	2.25 (W) - 7.88 mm (T) (W): maximum wide angle, (T): maximum telephoto
<b>F-number</b>	F1.4 (W) - F2.6 (T)
<b>Viewing Angle</b>	For 16:9 aspect ratios: Horizontal: 77.7° (W) - 20.7° (T) Vertical: 40.4° (W) - 11.6° (T) For 4:3 aspect ratios: Horizontal: 55.3° (W) - 15.5° (T) Vertical: 40.4° (W) - 11.6° (T)
<b>Day / Night Switch</b>	Auto / Day Mode / Night Mode
<b>Min. Subject Illumination</b>	Day Mode (colour): 0.95 lux (F1.4, shutter speed 1/30 sec., SSC off, 50IRE) Night Mode (monochrome): 0.5 lux (F1.4, shutter speed 1/30 sec., SSC off, 50IRE)
<b>Focus</b>	Auto / One-shot AF / Manual / Fixed at infinity
<b>Shooting Distance</b>	0.3 m (12 in.) - infinity
<b>Shutter Speed</b>	1, 1/2, 1/4, 1/8, 1/15, 1/30, 1/50, 1/60, 1/100, 1/120, 1/250, 1/500, 1/1000, 1/2000, 1/4000, 1/8000, 1/10000, 1/16000 sec.
<b>Exposure</b>	Auto / Auto (Flickerless) / Auto (Flickerless2) / Auto (Shutter-priority AE) / Manual
<b>White Balance</b>	Auto/Manual Daylight Fluorescent/White Fluorescent/Warm Fluorescent/ Mercury Lamp/Sodium Lamp/Halogen Lamp Manual: One-shot WB/R Gain/B Gain
<b>Metering Mode</b>	Center-Weighted / Average / Spot
<b>Exposure Compensation</b>	9 levels
<b>Smart Shade Control</b>	Auto / Manual / Disable Auto: 3 levels Manual: 7 levels
<b>Haze Compensation</b>	Auto / Manual / Disable Auto: 3 levels Manual: 7 levels
<b>AGC Limit</b>	6 levels
<b>Motion-Adaptive NR (Noise Reduction)</b>	Available
<b>Pan Angle Range</b>	350° (±175°)
<b>Tilt Angle Range</b>	90° (ceiling-mounted position: -90° - 0°) - When the horizontal direction of the camera is 0°
<b>Moving Speed</b>	Pan: Max. 120°/sec., Tilt: Max. 120°/sec.
SERVER	
<b>Video Compression Method</b>	JPEG, H.264
<b>Video Size</b>	JPEG, H.264: 1920 x 1080, 960 x 540, 480 x 270 1280 x 720, 640 x 360, 320 x 180 1280 x 960, 640 x 480, 320 x 240
<b>Video Quality</b>	JPEG, H.264: 10 levels
<b>Frame Rate</b>	JPEG: 0.1 - 30 fps H.264: 1/2/3/5/6/10/15/30 fps - Values represent streaming performance from the camera. - The frame rate may be reduced due to Viewer PC's specs, the number of clients accessing at the same time, network loads, video quality setting, type or movement of the subject or other reasons.
<b>Max. Frame Rate</b>	When streaming JPEG, H.264 (1920 x 1080): 30 fps When used in the following combinations: When streaming H.264(1) (1920 x 1080) and H.264(2) (all sizes) simultaneously: 15 fps When streaming H.264(1) (all sizes) and H.264(2) (1920 x 1080) simultaneously: 15 fps When streaming H.264(1) (1280 x 960) and H.264(2) (1280 x 960) simultaneously: 15 fps When streaming H.264(1) (1280 x 720) and H.264(2) (1280 x 720) simultaneously: 15 fps
<b>I-Frame Interval</b>	0.5/1/1.5/2/3/4/5 sec.
<b>Simultaneous Client Access</b>	Max. 30 Clients + 1 Admin Client - H.264: Max. 10 Clients

<b>Bit Rate Control</b>	Target Bit Rate: 64/128/256/384/512/768/1024/1536/2048/3072/4096/6144/8192/10240/12288/14336/16384 kbps
<b>ADSR: Area-specific Data Size Reduction</b>	Number of Specified Areas: Max. 8 areas Data Size Reduction Level: 3 levels
<b>Encrypted Communications</b>	SSL / TLS, IPsec (Auto Key Exchange / Manual)
<b>IEEE 802.1X</b>	EAP-MD5, EAP-TLS, EAP-TTLS, EAP-PEAP
<b>Protocol</b>	IPv4, IPv6, TCP/IP, UDP, HTTP, FTP, SNMPv1/v2c/v3 (MIB2), DHCP, DNS, AutoIP, mDNS, ARP, ICMP, POP3, NTP, SMTP, RTP/RTCP, RTSP, SSL/TLS, IPsec, ONVIF, WV-HTTP (Canon proprietary)
<b>ONVIF Profile</b>	Profile-S
<b>Audio Compression Method</b>	G.711 $\mu$ -law (64 kbps)
<b>Audio Communication Method</b>	Audio Reception Only
<b>Privacy Mask</b>	Number of registration: Max. 8 places, Number of mask colours: 1 (select from 9 colours)
<b>View Restriction</b>	Available
<b>Preset</b>	Number of registers: Max. 64 positions (+Home Position)
<b>Intelligent Function</b>	Video: Moving Object Detection, Abandoned Object Detection, Removed Object Detection, Camera Tampering Detection, Passing Detection, Intrusion Detection Detection Settings: Max. 15 Non-detection Area Settings: Available Audio: Volume Detection, Scream Detection
<b>Event Trigger Type</b>	External Device Input, Intelligent Function (Video), Intelligent Function (Audio), Timer, Day/Night Mode Switching Number of Linked Events: 2 Linked Event Conditions: OR, AND (whether or not there is a sequence to events)
<b>Image Upload</b>	FTP / HTTP / SMTP (e-mail)
<b>Event Notification</b>	HTTP / SMTP (e-mail)
<b>On-Screen Display</b>	Available (English only) - The following languages require the use of the On-Screen Display Assist Tool. German/Spanish/French/Italian/Polish/Russian/Turkish/Korean/Chinese (Simplified) /Japanese
<b>Daylight Saving Time</b>	Available
APPLICATION	
<b>Viewer</b>	Camera Viewer Mobile Camera Viewer
<b>Camera software</b>	Camera Management Tool Recorded Video Utility On-Screen Display Assist Tool
<b>Language</b>	German/English/Spanish/French/Italian/Polish/Russian/Turkish/Thai/Korean/Chinese (Simplified) /Japanese
INTERFACE	
<b>Network Terminal</b>	LAN x 1 (RJ45, 100Base-TX (auto / full-duplex / half-duplex))
<b>Audio Input Terminal (common for LINE IN &amp; MIC IN)</b>	$\Phi$ 3.5 mm ( $\Phi$ 0.14 in.) mini-jack connector (monaural) LINE IN (connect to an amplifier microphone) or MIC IN (connect to a microphone w/o amplifier) - Switch LINE IN/MIC IN in the Setting Page.
<b>External Device I/O Terminal</b>	Input x 1, Output x 1
<b>Memory Card</b>	microSD Memory Card, microSDHC Memory Card, microSDXC Memory Card Compatible. Frame Rate: Max. 1 fps (JPEG) Max. 30 fps (H.264)
OTHER	
<b>Operating Environment</b>	Temperature: -10°C - +50°C (+14°F - +122°F) Humidity: 5% - 85% (without condensation)
<b>Power Supply</b>	PoE: PoE power supply via LAN connector (IEEE802.3at Type1 compliant)
<b>Power Consumption</b>	Max. 7.8 W - Class 0 power sourcing equipment (requests 15.4 W)
<b>Dimensions</b>	$\Phi$ x H) $\Phi$ 120 x 54 mm ( $\Phi$ 4.72 x 2.13 in.) - excluding projections
<b>Weight</b>	Approx. 270 g (9.6 oz.)
<b>International Standard</b>	EN55032 Class B, FCC part15 subpart B Class B, ICES-003 Class B, VCCI Class B, RCM AS/NZS EN55032 Class B, CNS13438 Class B, KN22 Class B, EN55024, KN24, EN50581 ----- IEC/UL/EN60950-1

## Dimensions



Comprehensively protect your environment with a Canon PTZ minidome network camera.

# VB-S30D Mk II



The easy-to-install Full HD PTZ Minidome network security camera with ultra-compact zoom lens technology. Ideal for indoor security and monitoring in businesses and venues.

Sales Start Date: Q1, 2018

#### Product Details:

Product Name	Mercury Code	EAN Code
Network Camera VB-S30D Mk II	2545C001AB	4549292107296

#### Optional Accessories:

Product Name	Mercury Code	EAN Code
Pendant Mounting Kit (PC30-VB)	9919B001AA	4549292022575
Surface Mounting Spacer (SS30-VB)	9920B001AA	4549292022582
Junction Box Mounting Kit (PS30-VB)	9921B001AA	4549292022568
Plenum Mounting Kit (SR30-P-VB)	1065C001AA	4549292071566

#### Measurement / Logistic Information:

Product Name	Mercury code	Pack type	Pack description	Quantity per pack	Length (mm)	Width (mm)	Height (mm)	Net Weight (kg)	Gross Weight (kg)
Network Camera VB-S30D Mk II	2545C001AB	EA	Each	1	174	174	135	Approx. 0.3	Approx. 0.6
		CT	Carton	6	445	374	212	Approx. 1.6	Approx. 4.7
		EP	Euro Pallet	—	—	—	—	—	—

#### What's in the box?

- VB-S30D Mk II Main Unit
- Installation guide & template
- Safety wire & screw
- Warranty Card
- Before Using this Camera
- EAC-Supported Guide