

VB-R11



Keep every angle covered

A 1.3 MP 30x zoom PTZ for indoor applications, which offers versatile high quality live monitoring even in low light and features continuous 360° rotation and Auto Flip for precise and responsive targeting.



With recessed mount kit



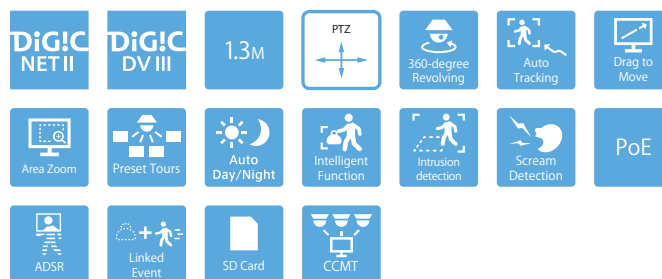
With pendant adapter



- 1.3 MP indoor continuous 360° PTZ with Auto-Flip for easy tracking of subjects
- Excellent low light performance, near or far, with f/1.4-4.6, 30x IR Corrected High-UD zoom lens with a wide 58.4° angle of view
- Effective and precise tracking of fast moving subjects with a highly accurate and responsive 450°/s Pan/Tilt mechanism
- Improved bandwidth control and easy setting of area specific image quality with ADSR technology
- Enhance your ability to identify alarming situations with inbuilt intelligent Intruder and Scream detection

Product Range

VB-R11
VB-H43/B
VB-M42/B



Technical Specifications

VB-R11

CAMERA	
Image Sensor	1/3 type CMOS (primary color filter)
Number of Effective Pixels	Approx. 1.3 million pixels
Scanning Method	Progressive
Lens	30x optical zoom (20x digital zoom) lens with auto focus
Focal Length	4.4 (W) - 132 mm (T) ¹⁾
F-number	F1.4 (W) - F4.6 (T)
Viewing Angle	For 16:9 aspect ratios: Horizontal: 58.4° (W) - 2.1° (T) Vertical: 34.1° (W) - 1.2° (T) For 4:3 aspect ratios: Horizontal: 58.4° (W) - 2.1° (T) Vertical: 45.0° (W) - 1.6° (T)
Day/Night Switch	Auto / Day Mode / Night Mode
Min. Subject Illumination	(F1.4, shutter speed 1/30 sec., when smart shade control is off, 50IRE) Day Mode (colour): 0.03 lux Night Mode (mono): 0.002 lux When using the Dome Unit (Smoked) (sold separately) Day Mode (colour): 0.06 lux Night Mode (mono): 0.004 lux
Focus	Auto / One-shot AF / Manual / Fixed at infinity
Shooting Distance (from front of lens)	Day Mode: 0.3 m (12 in.) - infinity (W), 2.0 m (6.6 ft.) - infinity (T) Night Mode: 1.0 m (3.3 ft.) - infinity (W), 2.0 m (6.6 ft.) - infinity (T)
Shutter Speed	1, 1/2, 1/4, 1/8, 1/15, 1/30, 1/50, 1/60, 1/100, 1/120, 1/250, 1/500, 1/1000, 1/2000, 1/4000, 1/8000, 1/10000, 1/16000 sec.
Exposure	Auto / Auto (Flickerless) / Auto (Shutter-priority AE) / Manual (Shutter Speed, Aperture, Gain)
White Balance	Auto / Light Source / Manual Light Source: Daylight Fluorescent / White Fluorescent / Warm Fluorescent / Mercury Lamp / Sodium Lamp / Halogen Lamp Manual: One-shot WB / R Gain / B Gain
Metering Mode	Center-Weighted / Average / Spot
Exposure Compensation	9 levels
Smart Shade Control	Auto / Manual / Disable Auto: 3 levels Manual: 7 levels - Brightens shaded areas of a video
Haze Compensation	Auto/Manual / Disable Auto: 3 levels Manual: 7 levels
AGC Limit	6 levels
Image Stabilizer	2 levels (digital)
Pan Angle Range	360° continuous panning
Tilt Angle Range	180° (ceiling-mounted position: 0° - 180°) - When the horizontal direction of the camera is 0°
Moving Speed	Pan: Max. 450°/sec. Tilt: Max. 450°/sec.
SERVER	
Video Compression Method	JPEG, H.264
Video Size	JPEG, H.264: 1280 x 720, 640 x 360, 320 x 180 1280 x 960, 640 x 480, 320 x 240
Video Quality	JPEG, H.264: 10 levels
Frame Rate	JPEG: 0.1 - 30 fps H.264: 1/2/3/5/6/10/15/30 fps - Values represent streaming performance from the camera. - The frame rate may be reduced due to Viewer computer's specs, the number of clients accessing at the same time, network loads, video quality setting, type or movement of the subject or other reasons. Maximum frame rate when used in the following combinations: When streaming H.264(1) (1280 x 720) and H.264(2) (1280 x 720) simultaneously: 15 fps When streaming H.264(1) (1280 x 960) and H.264(2) (1280 x 960) simultaneously: 15 fps
I-Frame Interval	0.5/1/1.5/2/3/4/5 sec.
Simultaneous Client Access	Max. 30 Clients + 1 Admin Client - H.264: Max. 10 Clients
Bit Rate Control	Target Bit Rate: 64 / 128 / 256 / 384 / 512 / 768 / 1024 / 1536 / 2048 / 3072 / 4096 / 6144 / 8192 / 10240 / 12288 / 14336 / 16384 kbps
ADSR: Area-specific Data Size Reduction	Number of Specified Areas: Max. 8 areas Data Size Reduction Level: 3 levels
Security	Camera Control: Administrator, Authorized user, Guest user (level of control varies depending on user) Access Control: User authority (user name and password), Host Access Restrictions (IPv4, IPv6) IEEE802.1X: EAP-MD5, EAP-TLS, EAP-TTLS, EAP-PEAP Encrypted Communications: SSL/TLS, IPsec
Protocol	IPv4, IPv6, TCP/IP, UDP, HTTP, FTP, SNMPv1/v2c/v3 (MIB2), DHCP, DNS, AutoIP, mDNS, ARP, ICMP, POP3, NTP, SMTP, RTP/RTCP, RTSP, SSL/TLS, IPsec, ONVIF, WV-HTTP (Canon proprietary)

Audio Compression Method	G.711 μ -law (64 kbps)
Audio Communication Method	Full-duplex (two-way)/half-duplex - Echo cancellation function compliant RTP, Sound Transfer Protocol by Canon
Audio File Playback	Available (audio files can be played back when an event is triggered by the intelligent function or external device input.) - A third-party amplifier speaker is necessary
Privacy Mask	Number of registration: Max. 8 places, Number of mask colors: 1 (select from 9 colors)
View Restriction	Available
Presets	Number of registers: Max. 256 positions (+Home Position) Items to Reg.: Pan / Tilt / Zoom, Exposure, Smart Shade Control, Focus, White Balance, Video Quality Adjustment, Day / Night, Haze Compensation Number of Preset Tour Route: Max. 5
Intelligent Function (Video)	Detection Types: Moving Object Detection, Abandoned Object Detection, Removed Object Detection, Camera Tampering Detection, Passing Detection, Intrusion Detection, and Auto Tracking Detection Settings: Max. 15 Non-detection Area Settings: Available
Intelligent Function (Audio)	Volume Detection, Scream Detection
Event Trigger Type	External Device Input, Intelligent Function (Video), Intelligent Function (Audio), Timer, Day / Night Switch Number of Linked Events: 2 Linked Event Conditions: AND, OR (whether or not there is a sequence to events)
Image Upload	FTP/HTTP/SMTP (e-mail)
Event Notification	HTTP/SMTP (e-mail)
On-Screen Display	Available German/English/Spanish/French/Italian/Polish/Russian/Turkish/Korean/Chinese (Simplified) /Japanese
Daylight Saving Time	Available
APPLICATION	
Viewer	Camera Viewer Mobile Camera Viewer
Camera software	Camera Management Tool Recorded Video Utility
Language	German/English/Spanish/French/Italian/Polish/Russian/Turkish/Thai/Korean/Chinese (Simplified) /Japanese
Operating System/Compatible Browser	Windows 7, Internet Explorer 11/Chrome 65 Windows 8.1, Internet Explorer 11/Chrome 65 Windows 10, Internet Explorer 11/Microsoft Edge/Chrome 65 Windows Server 2008, Internet Explorer 9 Windows Server 2008 R2, Internet Explorer 11/Chrome 65 Windows Server 2012, Internet Explorer 10/Chrome 65 Windows Server 2012 R2, Internet Explorer 11/Chrome 65 Windows Server 2016, Internet Explorer 11/Chrome 65
Verified Mobile Devices	Surface, iPad, iPhone, Nexus, Galaxy
INTERFACE	
Network Terminal	LAN x1 (RJ45, 100Base-TX (auto / full-duplex / half-duplex))
Audio Input Terminal (common for LINE IN & MIC IN)	Φ 3.5 mm (Φ 0.14 in.) mini-jack connector (monaural) LINE IN (connect to an amplifier microphone) or MIC IN (connect to a microphone w/o amplifier) - Switch LINE IN / MIC IN in the setting page.
Audio Output Terminal (LINE OUT)	Φ 3.5 mm (Φ 0.14 in.) mini-jack connector (monaural) LINE OUT (connect to an amplifier speaker)
External Device I/O Terminal	Input x 2, Output x 2
Memory Card	SD Memory Card, SDHC Memory Card, SDXC Memory Card Compatible. Recorded Content: Log, Video (Event, Manual, ONVIF, Timer, Upload) Frame Rate: Max. 1 fps (JPEG) Max. 30 fps (H.264)
OTHER	
Operating Environment	Temperature AC, DC, PoE: -10°C - +50°C (+14°F - +122°F) Humidity 5% - 85% (without condensation)
Power Supply	PoE: PoE power supply via LAN connector (IEEE802.3at Type1 compliant) AC Adapter: PA-V18 (100 - 240 V AC) (sold separately) External power source: 24 V AC/12 V DC
Power Consumption	PoE: Max. approx. 9.5 W AC Adapter PA-V18: Max. approx. 9.6 W (100 V AC) Max. approx. 9.8 W (240 V AC) DC: Max. approx. 8.8 W AC: Max. approx. 9.2 W
Dimensions	(Φ x H) Φ 199 x 199 mm (Φ 7.83 x 7.83 in.) - Camera only (excluding Ceiling Plate)
Weight	Approx. 1990 g (4.39 lb.)
International Standard	EN55032 Class B, FCC part15 subpart B Class B, ICES-003 Class B, VCCI Class B, RCM AS/NZS EN55022 Class B, KN22 Class B, EN55024, KN24, EN50581 IEC/UL/EN60950-1, EN50130-4

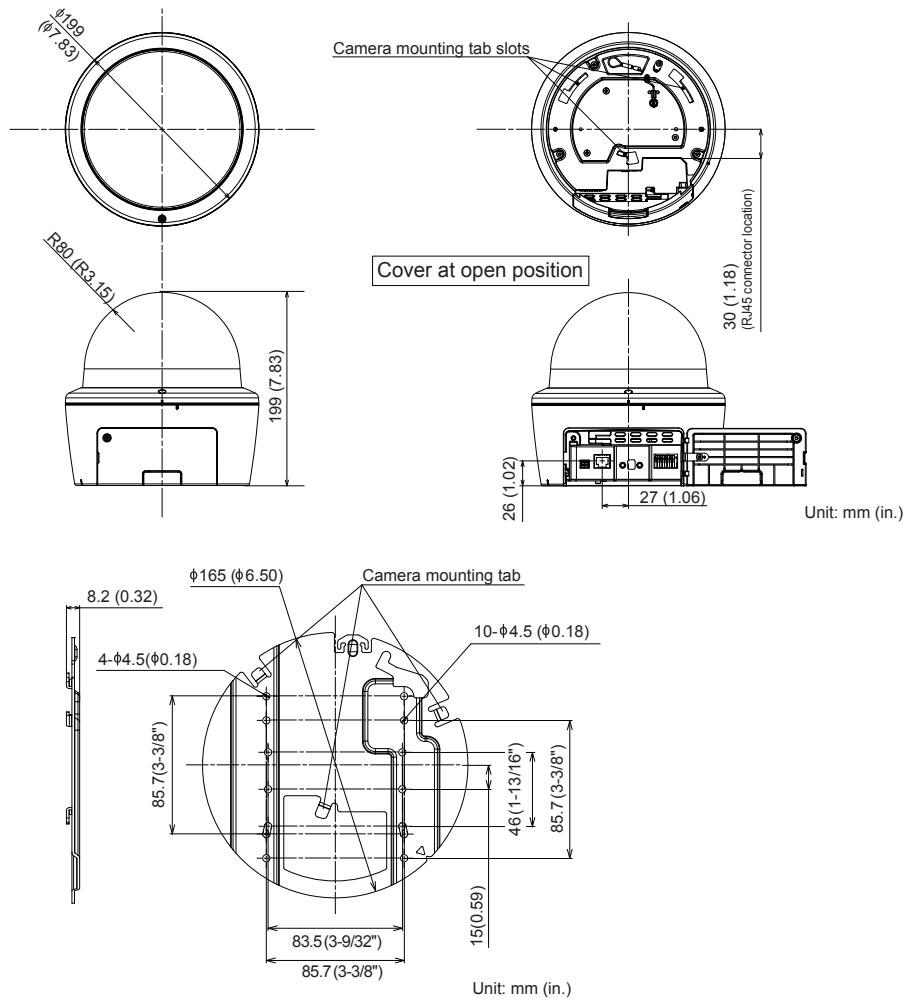
Technical Specifications

VB-R11

What's in the box?

- VB-R11 Main Unit
- Before Using this Camera
- EAC-Supported Guide
- Ceiling Plate
- Wrench
- Template
- Power Connector
- Installation Guide
- Warranty Card

Dimensions



Compatible Accessories



Keep every angle covered

VB-R11

A 1.3 MP 30x zoom PTZ for indoor applications, which offers versatile high quality live monitoring even in low light and features continuous 360° rotation and Auto Flip for precise and responsive targeting.



Sales Start Date: July 2015

Product Details:

Product Name	Mercury Code	EAN Code
Network Camera VB-R11	0306C001AC	4549292032482

Optional Accessories:

Product Name	Mercury Code	EAN Code
Recessed Mounting Kit SR11-S-VB	0714C001AA	4549292043488
Plenum Recessed Mounting Kit SR11-P-VB	0716C001AA	4549292043501
Pendant Mounting Kit PC640-VB	0719C001AA	4549292043532
Smoked Dome Unit DU10-S-VB	0721C001AA	4549292043556
AC Adapter PA-V18 (E)	8362B002AA	4960999986791
AC Adapter PA-V17 (GB)	2245B003AA	4960999480206

Measurement / Logistic Information:

Product Name	Mercury code	Pack type	Pack description	Quantity per pack	Length (mm)	Width (mm)	Height (mm)	Net Weight (kg)	Gross Weight (kg)
Network Camera VB-R11	0306C001AC	EA	Each	1	283	323	302	2.0	3.5
		CT	Carton	2	322	588	359	4.0	
		EP	Euro Pallet	12				23.9	