

# VB-R11VE (H2) & VB-R10VE (H2)

Keep every outdoor angle covered

Ideal for demanding outdoor applications these 1.3 MP continuous 360° PTZ cameras with 30x zoom offers fast and accurate monitoring and excellent tracking in both low light and harsh environmental conditions.



With ceiling mount kit



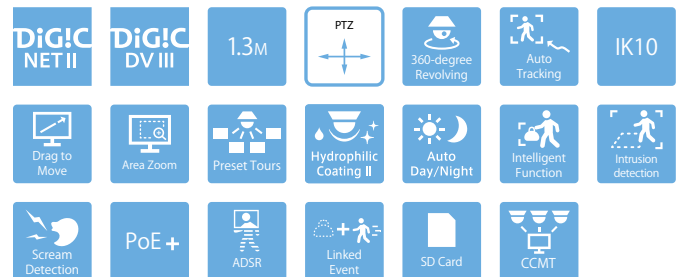
With wall mount kit



- 1.3 MP outdoor PTZ cameras with continuous 360° panning and Auto-Flip for easy tracking of subjects
- Excellent low light performance, near or far, with f/1.4-4.6, 30x High-UD zoom lens and a wide 58.4° angle of view
- Precision monitoring with a fast, accurate 450° per second Pan / Tilt mechanism and intelligent detection functions
- Fully outdoor-ready, with IK10 vandal resistance plus extensive weatherproofing and added environmental protection
- Reliable start up at -30° and operation in extremely cold environments as low as -50°C
- Hydrophilic Coating II prevents the decrease of visibility during and after rainfall, and resists fouling by sand or dirt

## Product Range

**VB-R11VE (H2)**  
**VB-R10VE (H2)**  
VB-R11



(Scream Detection & Linked Events - VB-R11VE (H2) only)

# Technical Specifications

# VB-R11VE (H2) & VB-R10VE (H2)

	VB-R11VE (H2)	VB-R10VE (H2)
<b>CAMERA</b>		
Image Sensor	1/3 type CMOS (primary color filter)	
Number of Effective Pixels	Approx. 1.3 million pixels	
Scanning Method	Progressive	
Lens	30x optical zoom (20x digital zoom) lens with auto focus	
Focal Length	4.4 (W) - 132 mm (T) <sup>1)</sup>	
F-number	F1.4 (W) - F4.6 (T)	
Viewing Angle	<b>For 16:9 aspect ratios:</b> Horizontal: 58.4° (W) - 2.1° (T) Vertical: 34.1° (W) - 1.2° (T) <b>For 4:3 aspect ratios:</b> Horizontal: 58.4° (W) - 2.1° (T) Vertical: 45.0° (W) - 1.6° (T)	
Day/Night Switch	Auto / Day Mode / Night Mode	
Min. Subject Illumination	<b>(F1.4, shutter speed 1/30 sec., when smart shade control is off, 50IRE)</b> Day Mode (colour): 0.03 lux Night Mode (mono): 0.002 lux  When using the Dome Unit (Smoked) (sold separately) Day Mode (colour): 0.06 lux Night Mode (mono): 0.004 lux	
Focus	Auto / One-shot AF / Manual / Fixed at infinity	
Shooting Distance (from front of lens)	Day Mode: 0.3 m (12 in.) - infinity (W), 2.0 m (6.6 ft.) - infinity (T) Night Mode: 1.0 m (3.3 ft.) - infinity (W), 2.0 m (6.6 ft.) - infinity (T)	
Shutter Speed	1, 1/2, 1/4, 1/8, 1/15, 1/30, 1/50, 1/60, 1/100, 1/120, 1/250, 1/500, 1/1000, 1/2000, 1/4000, 1/8000, 1/10000, 1/16000 sec.	
Exposure	Auto / Auto (Flickerless) / Auto (Shutter-priority AE) / Manual (Shutter Speed, Aperture, Gain)	
White Balance	Auto / Light Source / Manual Light Source: Daylight Fluorescent / White Fluorescent / Warm Fluorescent / Mercury Lamp / Sodium Lamp / Halogen Lamp Manual: One-shot WB / R Gain / B Gain	
Metering Mode	Center-Weighted / Average / Spot	
Exposure Compensation	9 levels	
Smart Shade Control	Auto / Manual / Disable Auto: 3 levels Manual: 7 levels - Brightens shaded areas of a video	
Haze Compensation	Auto / Manual / Disable Auto: 3 levels Manual: 7 levels	
AGC Limit	6 levels	
Image Stabilizer	2 levels (digital)	
Pan Angle Range	360°continuous panning	
Tilt Angle Range	180° (ceiling-mounted position: 0° - 180°) - When the horizontal direction of the camera is 0°	
Moving Speed	Pan: Max. 450°/sec. Tilt: Max. 450°/sec.	
<b>SERVER</b>		
Video Compression Method	JPEG, H.264	
Video Size	JPEG, H.264: 1280 x 720, 640 x 360, 320 x 180 1280 x 960, 640 x 480, 320 x 240	
Video Quality	JPEG, H.264: 10 levels	
Frame Rate	JPEG: 0.1 - 30 fps H.264: 1/2/3/5/6/10/15/30 fps  - Values represent streaming performance from the camera. - The frame rate may be reduced due to Viewer computer's specs, the number of clients accessing at the same time, network loads, video quality setting, type or movement of the subject or other reasons.  Maximum frame rate when used in the following combinations: When streaming H.264(1) (1280 x 720) and H.264(2) (1280 x 720) simultaneously: 15 fps When streaming H.264(1) (1280 x 960) and H.264(2) (1280 x 960) simultaneously: 15 fps	
I-Frame Interval	0.5/1/1.5/2/3/4/5 sec.	
Simultaneous Client Access	Max. 30 Clients + 1 Admin Client - H.264: Max. 10 Clients	
Bit Rate Control	Target Bit Rate: 64 / 128 / 256 / 384 / 512 / 768 / 1024 / 1536 / 2048 / 3072 / 4096 / 6144 / 8192 / 10240 / 12288 / 14336 / 16384 kbps	
ADSR: Area-specific Data Size Reduction	Number of Specified Areas: Max. 8 areas Data Size Reduction Level: 3 levels	
Security	Camera Control: Administrator, Authorized user, Guest user (level of control varies depending on user) Access Control: User authority (user name and password), Host Access Restrictions (IPv4, IPv6) IEEE802.1X: EAP-MD5, EAP-TLS, EAP-TTLS, EAP-PEAP Encrypted Communications: SSL/TLS, IPsec	

	VB-R11VE (H2)	VB-R10VE (H2)
Protocol	IPv4, IPv6, TCP/IP, UDP, HTTP, FTP, SNMPv1/v2c/v3 (MIB2), DHCP, DNS, AutoIP, mDNS, ARP, ICMP, POP3, NTP, SMTP, RTP/RTCP, RTSP, SSL/TLS, IPsec, ONVIF, WV-HTTP (Canon proprietary)	
Audio Compression Method	G.711 $\mu$ -law (64 kbps)	
Audio Communication Method	Full-duplex (two-way)/half-duplex - Echo cancellation function compliant RTP, Sound Transfer Protocol by Canon	-
Audio File Playback	Available (audio files can be played back when an event is triggered by the intelligent function or external device input.) - A third-party amplifier speaker is necessary	-
Privacy Mask	Number of registration: Max. 8 places, Number of mask colors: 1 (select from 9 colors)	
View Restriction	Available	
Preset	Number of registers: Max. 256 positions (+Home Position) Items to Reg.: Pan / Tilt / Zoom, Exposure, Smart Shade Control, Focus, White Balance, Video Quality Adjustment, Day / Night, Haze Compensation Number of Preset Tour Route: Max. 5	
Intelligent Function (Video)	Detection Types: Moving Object Detection, Abandoned Object Detection, Removed Object Detection, Camera Tampering Detection, Passing Detection, Intrusion Detection, and Auto Tracking Detection Settings: Max. 15 Non-detection Area Settings: Available	
Intelligent Function (Audio)	Volume Detection, Scream Detection	-
Event Trigger Type	External Device Input, Intelligent Function (Video), Intelligent Function (Audio), Timer, Day / Night Switch Number of Linked Events: 2 Linked Event Conditions: AND, OR (whether or not there is a sequence to events)	Intelligent Function (Video), Timer, Day / Night Switch
Image Upload	FTP/HTTP/SMTP (e-mail)	
Event Notification	HTTP/SMTP (e-mail)	
On-Screen Display	Available German/English/Spanish/French/Italian/Polish/Russian/Turkish/Korean/Chinese (Simplified) /Japanese	
Daylight Saving Time	Available	
<b>APPLICATION</b>		
Viewer	Camera Viewer Mobile Camera Viewer	
Camera software	Camera Management Tool Recorded Video Utility	
Language	German/English/Spanish/French/Italian/Polish/Russian/Turkish/Thai/Korean/Chinese (Simplified) /Japanese	
Operating System/Compatible Browser	Windows 7, Internet Explorer 11/Chrome 65 Windows 8.1, Internet Explorer 11/Chrome 65 Windows 10, Internet Explorer 11/Microsoft Edge/Chrome 65 Windows Server 2008, Internet Explorer 9 Windows Server 2008 R2, Internet Explorer 11/Chrome 65 Windows Server 2012, Internet Explorer 10/Chrome 65 Windows Server 2012 R2, Internet Explorer 11/Chrome 65 Windows Server 2016, Internet Explorer 11/Chrome 65	
Verified Mobile Devices	Surface, iPad, iPhone, Nexus, Galaxy	
<b>INTERFACE</b>		
Network Terminal	LAN x 1 (RJ45, 100Base-TX (auto / full-duplex / half-duplex))	
Audio Input Terminal (common for LINE IN & MIC IN)	$\Phi$ 3.5 mm ( $\Phi$ 0.14 in.) mini-jack connector (monaural) LINE IN (connect to an amplifier microphone) or MIC IN (connect to a microphone w/o amplifier) - Switch LINE IN / MIC IN in the setting page.	-
Audio Output Terminal (LINE OUT)	$\Phi$ 3.5 mm ( $\Phi$ 0.14 in.) mini-jack connector (monaural) LINE OUT (connect to an amplifier speaker)	-
External Device I/O Terminal	Input x 2, Output x 2	-

# Technical Specifications

# VB-R11VE (H2) & VB-R10VE (H2)

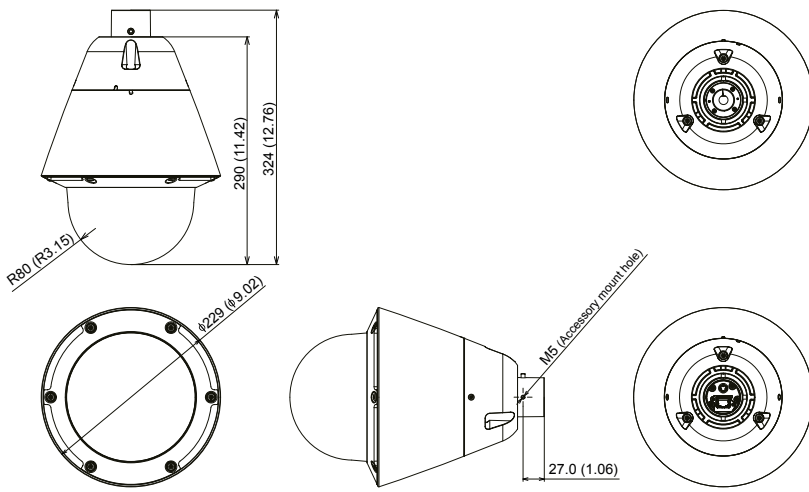
<b>Memory Card</b>	SD Memory Card, SDHC Memory Card, SDXC Memory Card Compatible. Recorded Content: Log, Video (Event, Manual, ONVIF, Timer, Upload) Frame Rate: Max. 1 fps (JPEG) Max. 30 fps (H.264)	
<b>OTHER</b>	<b>VB-R11VE (H2)</b>	<b>VB-R10VE (H2)</b>
<b>Operating Environment</b>	<p>Temperature</p> <p>Operating Temperature Range (including direct sun exposure)</p> <p>AC: -50°C - +55°C (-58°F - +131°F)</p> <p>PoE+: -35°C - +55°C (-31°F - +131°F)</p> <p>DC, PoE: -10°C - +55°C (+14°F - +131°F)</p> <p>Start-up Temperature Range (including direct sun exposure)</p> <p>AC, PoE+: -30°C - +55°C (-22°F - +131°F)</p> <p>DC, PoE: -10°C - +55°C (+14°F - +131°F)</p> <p>Humidity</p> <p>5% - 85% (without condensation)</p>	
<b>Power Supply</b>	PoE: PoE+ power supply via LAN connector (IEEE802.3at Type2 compliant) AC Adapter: PA-V18 (100 - 240 V AC) (sold separately) External power source: 24 V AC/12 V DC	

<b>Power Consumption</b>	PoE+: Max. approx. 20.8 W PoE: Max. approx. 10.1 W AC Adapter PA-V18: Max. approx. 12.7 W (100 V AC) Max. approx. 12.8 W (240 V AC) DC: Max. approx. 11.0 W AC: Max. approx. 33.2 W	
<b>Dimensions</b>	(Φ x H) Φ229 x 324 mm (Φ9.02 x 12.76 in.) - Camera only	(Φ x H) Φ229 x 324 mm (Φ9.02 x 12.76 in.) - Camera only (excluding connector height)
<b>Weight</b>	Approx. 3530 g (7.79 lb.)	Approx. 3420 g (7.54 lb.)
<b>Impact Resistance</b>	IK10 (20J)	
<b>Dust-resistant/Waterproof Specification</b>	IP66	
<b>Hydrophilic Coating II</b>	Available	
<b>International Standard</b>	EN55032 Class A, FCC part15 subpart B Class A, ICES-003 Class A, VCCI Class A, RCM AS/NZS EN55032 Class A, KN22 Class A, EN55024, KN24, EN50581 IEC/UL/EN60950-1, IEC/UL/EN60950-22, EN50130-4, IEC/UL/EN60529 IP66, IEC/UL/EN62262 IK10, NEMA 250 Type 4X	EN55032 Class A, FCC part15 subpart B Class A, ICES-003 Class A, VCCI Class A, RCM AS/NZS EN55032 Class A, EN55024, EN50581 IEC/UL/EN60950-1, IEC/UL/EN60950-22, EN50130-4, IEC/UL/EN60529 IP66, IEC/UL/EN62262 IK10, NEMA 250 Type 4X

## What's in the box?

- VB-R11VE (H2) Main Unit/  
VB-R10VE (h2) Main Unit
- Before Using this Camera
- Safety Precautions
- EAC-Supported Guide
- Power Interface Cable
- I/O Interface Cable
- Wrench
- Installation Guide
- Warranty Card
- Waterproofing Tape

## Dimensions



Unit: mm (in.)

## Compatible Accessories



•  
Keep every outdoor  
angle covered

# VB-R11VE (H2) & VB-R10VE (H2)

Ideal for demanding outdoor applications these 1.3 MP continuous 360° cameras with 30x zoom offers fast and accurate monitoring and excellent tracking in both low light and harsh environmental conditions.



Sales Start Date: October 2019

## Product Details:

Product Name	Mercury Code	EAN Code
Network Camera VB-R11VE (H2)	3751C001AA	4549292149159
Network Camera VB-R10VE (H2)	3752C001AA	4549292149166

## Optional Accessories:

Product Name	Mercury Code	EAN Code
Ceiling Mounting Kit CM10-VB	0711C001AA	4549292043457
1.5inch Pipe Adapter PA10-15-VB	0718C001AA	4549292043525
Wall Mounting kit WM10-VB	0720C001AA	4549292043549
Smoked Dome Unit DU10-S-VB	0721C001AA	4549292043556
AC Adapter PA-V18 (E)	8362B002AA	4960999986791
AC Adapter PA-V17 (GB)	2245B003AA	4960999480206

## Measurement / Logistic Information:

Product Name	Mercury code	Pack type	Pack description	Quantity per pack	Length (mm)	Width (mm)	Height (mm)	Net Weight (kg)	Gross Weight (kg)
Network Camera VB-R11VE (H2)	3751C001AA	EA	Each	1	336	376	470	3.5	5.4
		CT	Carton	–	–	–	–	–	–
		EP	Euro Pallet	–	–	–	–	–	–
Network Camera VB-R10VE (H2)	3752C001AA	EA	Each	1	336	376	470	3.4	5.4
		CT	Carton	–	–	–	–	–	–
		EP	Euro Pallet	–	–	–	–	–	–