

VB-M641VE & VB-M640VE

Keep every outdoor angle covered

Fully outdoor-ready, with IK10 vandal resistance. These 1.3 MP dome cameras feature a Super-UD IR Corrected lens with an ultra wide 111.5° angle of view and high quality imaging day or night in extremely cold and hazardous areas.



With sunshade cover



- Outdoor fixed domes with 1.3 MP high sensitivity CMOS sensor for high quality imaging day or night
- Bright f/1.2-1.8 IR Corrected 2.4x Super-UD zoom lens with ultra wide 111.5° angle of view and superb low light performance
- Easy installation with remote PTRZ set up and simple pigtail connection plus additional Intruder and Scream detection
- Fully outdoor-ready, with IK10 vandal resistance and extensive weatherproofing and environmental protection
- Reliable start up and operation in extremely cold environments as low as -40°C with optional heater unit (VB-M641VE)

Product Range

VB-M641VE
VB-M640VE
VB-H630VE
VB-M620VE



(Scream Detection & Linked Events - VB-M641VE only)

Technical Specifications

VB-M641VE & VB-M640VE

	VB-M641VE	VB-M640VE
CAMERA		
Image Sensor	1/3 type CMOS (primary color filter)	
Number of Effective Pixels	Approx. 1.3 million pixels	
Scanning Method	Progressive	
Lens	2.4 optical zoom (4x digital zoom) lens (electric drive)	
Focal Length	2.55 (W) - 6.12 mm (T)	
F-number	F1.2 (W) - F1.8 (T)	
Viewing Angle	For 16:9 aspect ratios: Horizontal: 111.5° (W) - 46.2° (T) Vertical: 60.5° (W) - 25.9° (T) For 4:3 aspect ratios: Horizontal: 111.5° (W) - 46.2° (T) Vertical: 81.7° (W) - 34.6° (T)	
Day/Night Switch	Auto / Day Mode / Night Mode	
Min. Subject Illumination	(F1.2, shutter speed 1/30 sec., when smart shade control is off, 50IRE) Day Mode (colour): 0.02 lux Night Mode (mono): 0.001 lux When using the Dome Unit (Smoked) (sold separately) Day Mode (colour): 0.04 lux Night Mode (mono): 0.002 lux	
Focus	Auto / One-shot AF / Manual / Fixed at infinity	
Shooting Distance (from front of lens)	Day Mode: 0.3 m (12 in.) - infinity Night Mode: 0.3 m (12 in.) - infinity	
Shutter Speed	1, 1/2, 1/4, 1/8, 1/15, 1/30, 1/50, 1/60, 1/100, 1/120, 1/250, 1/500, 1/1000, 1/2000, 1/4000, 1/8000, 1/10000, 1/16000 sec.	
Exposure	Auto / Auto (Flickerless) / Auto (Shutter-priority AE) / Manual (Shutter Speed, Aperture, Gain)	
White Balance	Auto / Light Source / Manual Light Source: Daylight Fluorescent / White Fluorescent / Warm Fluorescent / Mercury Lamp / Sodium Lamp / Halogen Lamp Manual: One-shot WB / R Gain / B Gain	
Metering Mode	Center-Weighted / Average / Spot	
Exposure Compensation	9 levels	
Smart Shade Control	Auto / Manual / Disable Auto: 3 levels Manual: 7 levels - Brightens shaded areas of a video	
Haze Compensation	Auto / Manual / Disable Auto: 3 levels Manual: 7 levels	
AGC Limit	6 levels	
Image Stabilizer	2 levels (digital)	
Pan Angle Range	350° (±175°)	
Tilt Angle Range	150° (±75°)	
Rotation Angle Range	350° (±175°)	
Moving Speed	Pan: 20.1°/sec. Tilt: 20.7°/sec. Rotation: 40.0°/sec. - When Using Camera Angle Setting Tool	
SERVER		
Video Compression Method	JPEG, H.264	
Video Size	JPEG, H.264: 1280 x 720, 640 x 360, 320 x 180 1280 x 960, 640 x 480, 320 x 240	
Video Quality	JPEG, H.264: 10 levels	
Frame Rate	JPEG: 0.1 - 30 fps H.264: 1 / 2 / 3 / 5 / 6 / 10 / 15 / 30 fps - Values represent streaming performance from the camera. - The frame rate may be reduced due to Viewer computer's specs, the number of clients accessing at the same time, network loads, video quality setting, type or movement of the subject or other reasons. Maximum frame rate when used in the following combinations: When streaming H.264(1) (1280 x 720) and H.264(2) (1280 x 720) simultaneously: 15 fps When streaming H.264(1) (1280 x 960) and H.264(2) (1280 x 960) simultaneously: 15 fps	
I-Frame Interval	0.5 / 1 / 1.5 / 2 / 3 / 4 / 5 sec.	
Simultaneous Client Access	Max. 30 Clients + 1 Admin Client - H.264: Max. 10 Clients	
Bit Rate Control	Target Bit Rate: 64 / 128 / 256 / 384 / 512 / 768 / 1024 / 1536 / 2048 / 3072 / 4096 / 6144 / 8192 / 10240 / 12288 / 14336 / 16384 kbps	
ADSR: Area-specific Data Size Reduction	Number of Specified Areas: Max. 8 areas	

	VB-M641VE	VB-M640VE
Security		
	Camera Control: Administrator, Authorized user, Guest user (level of control varies depending on user) Access Control: User authority (user name and password), Host Access Restrictions (IPv4, IPv6) IEEE802.1X: EAP-MD5, EAP-TLS, EAP-TTLS, EAP-PEAP Encrypted Communications: SSL/TLS, IPsec	
Protocol		
	IPv4, IPv6, TCP/IP, UDP, HTTP, FTP, SNMPv1/v2c/v3 (MIB2), DHCP, DNS, AutoIP, mDNS, ARP, ICMP, POP3, NTP, SMTP, RTP/RTCP, RTSP, SSL/TLS, IPsec, ONVIF, WV-HTTP (Canon proprietary)	
Audio Compression Method		
	6.711 μ-law (64 kbps)	-
Audio Communication Method		
	Full-duplex (two-way)/half-duplex - Echo cancellation function compliant RTP, Sound Transfer Protocol by Canon	-
Audio File Playback		
	Available (audio files can be played back when an event is triggered by the intelligent function or external device input.) - A third-party amplifier speaker is necessary	-
Privacy Mask		
	Number of registration: Max. 8 places, Number of mask colors: 1 (select from 9 colors)	
Preset		
	Number of registers: Max. 20 positions (+Home Position) Items to Reg.: Digital Pan / Digital Tilt / Digital Zoom, Exposure, Smart Shade Control, Focus, White Balance, Video Quality Adjustment, Day / Night, Haze Compensation Number of Preset Tour Route: Max. 1	
Intelligent Function (Video)		
	Detection Types: Moving Object Detection, Abandoned Object Detection, Removed Object Detection, Camera Tampering Detection, Passing Detection, and Intrusion Detection Detection Settings: Max. 15 Non-detection Area Settings: Available	
Intelligent Function (Audio)		
	Volume Detection, Scream Detection	-
Event Trigger Type		
	External Device Input, Intelligent Function (Video), Intelligent Function (Audio), Timer, Day / Night Switch Number of Linked Events: 2 Linked Event Conditions: AND, OR (whether or not there is a sequence to events)	Intelligent Function (Video), Timer, Day / Night Switch
Image Upload		
	FTP/HTTP/SMTP (e-mail)	
Event Notification		
	HTTP/SMTP (e-mail)	
Image Cropping Function		
	Digital PTZ Cropping sizes: 640 x 360/512 x 288/384 x 216/256 x 144/128 x 72 640 x 480/512 x 384/384 x 288/256 x 192/128 x 96	
On-Screen Display		
	Available German/English/Spanish/French/Italian/Polish/Russian/Turkish/Korean/Chinese (Simplified) /Japanese	
Daylight Saving Time		
	Available	
APPLICATION		
Viewer		
	Camera Viewer Mobile Camera Viewer	
Camera software		
	Camera Management Tool Recorded Video Utility	
Language		
	German/English/Spanish/French/Italian/Polish/Russian/Turkish/Thai/Korean/Chinese (Simplified) /Japanese	
Operating System/Compatible Browser		
	Windows 7, Internet Explorer 11/Chrome 65 Windows 8.1, Internet Explorer 11/Chrome 65 Windows 10, Internet Explorer 11/Microsoft Edge/Chrome 65 Windows Server 2008, Internet Explorer 9 Windows Server 2008 R2, Internet Explorer 11/Chrome 65 Windows Server 2012, Internet Explorer 10/Chrome 65 Windows Server 2012 R2, Internet Explorer 11/Chrome 65 Windows Server 2016, Internet Explorer 11/Chrome 65	
Verified Mobile Devices		
	Surface, iPad, iPhone, Nexus, Galaxy	
INTERFACE		
Network Terminal		
	LAN x 1 (RJ45, 100Base-TX (auto/full-duplex / half-duplex))	
Audio Input Terminal (Common for LINE IN & MIC IN)		
	Φ3.5 mm (Φ0.14 in.) mini-jack connector (monaural) LINE IN (connect to an amplifier microphone) or MIC IN (connect to a microphone w/o amplifier) - Switch LINE IN/MIC IN in the setting page.	-
Audio Output Terminal (LINE OUT)		
	Φ3.5 mm (Φ0.14 in.) mini-jack connector (monaural) LINE OUT (connect to an amplifier speaker)	-
External Device I/O Terminal		
	Input x 2, Output x 2	-

Technical Specifications

VB-M641VE & VB-M640VE

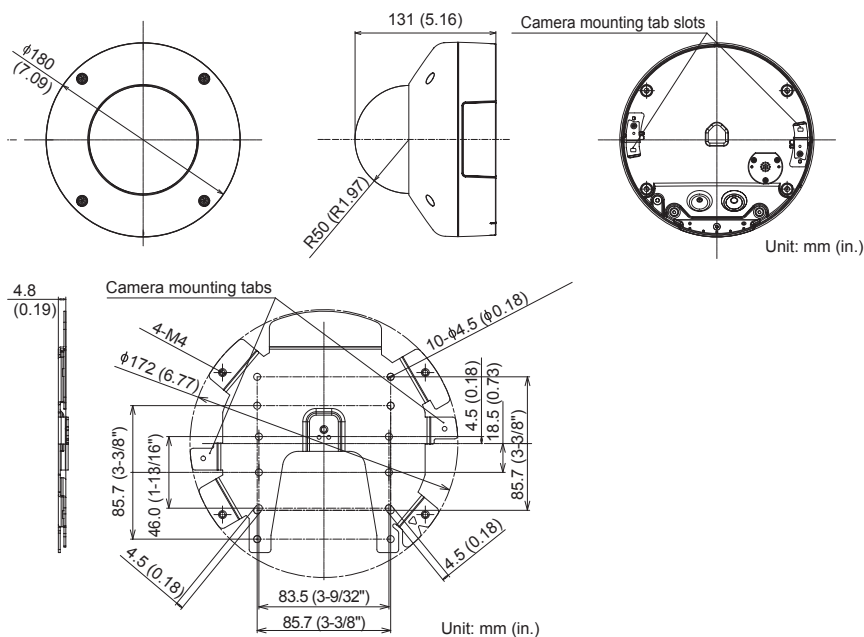
Memory Card	microSD Memory Card, microSDHC Memory Card, microSDXC Memory Card Compatible. Recorded Content: Log, Video (Event, Manual, ONVIF, Timer, Upload) Frame Rate: Max. 1 fps (JPEG) Max. 30 fps (H.264)	
OTHER	VB-M641VE	VB-M640VE
Operating Environment	<p>Temperature</p> <p>When the heater unit (sold separately) is installed</p> <p>Operating Temperature Range:</p> <p>AC: -40°C - +55°C (-40°F - +131°F)</p> <p>DC, PoE: -10°C - +55°C (+14°F - +131°F)</p> <p>Start-up Temperature Range:</p> <p>AC: -30°C - +55°C (-22°F - +131°F)</p> <p>DC, PoE: -10°C - +55°C (+14°F - +131°F)</p>	<p>Temperature</p> <p>PoE: -10°C - +55°C (+14°F - +131°F)</p> <p>- Sunshade cover (sold separately) necessary when under direct sun exposure</p> <p>Humidity</p> <p>5% - 85% (without condensation)</p>
	<p>- Sunshade cover (sold separately) necessary when under direct sun exposure</p> <p>When the heater unit (sold separately) is not installed</p> <p>AC, DC, PoE: -10°C - +55°C (+14°F - +131°F)</p> <p>- Sunshade cover (sold separately) necessary when under direct sun exposure</p> <p>Humidity</p> <p>5% - 85% (without condensation)</p>	
Power Supply	PoE: PoE power supply via LAN connector (IEEE802.3at Type1 compliant) AC Adapter: PA-V18 (100 - 240 V AC) (sold separately) External power source: 24 V AC/12 V DC	PoE: PoE power supply via LAN connector (IEEE802.3at Type1 compliant)

Power Consumption	PoE: Max. approx. 8.9 W AC Adapter PA-V18: Max. approx. 10.5 W (100 V AC) Max. approx. 10.6W (240 V AC) DC: Max. approx. 9.5 W AC: Max. approx. 9.1 W Max. approx. 21.7 W* * When the heater unit (sold separately) is installed	PoE: Max. approx. 8.9 W
Dimensions	(Φ x H) Φ180 x 131 mm (Φ7.09 x 5.16 in.) - Camera only (excluding Ceiling Plate)	
Weight	Approx. 1600 g (3.53 lb.)	Approx. 1570 g (3.47 lb.)
Impact Resistance	IK10 (20J)	
Dust-resistant/Waterproof Specification	IP66	
International Standard	EN55032 Class A, FCC part15 subpart B Class A, ICES-003 Class A, VCCI Class A, RCM AS/NZS EN55022 Class A, KN22 Class A, EN55024, KN24, EN50581 IEC/UL/EN60950-1, IEC/UL/EN60950-22, EN50130-4, IEC/UL/EN60529 IP66, IEC/UL/EN62262 IK10, NEMA 250 Type 4X	EN55032 Class A, FCC part15 subpart B Class A, ICES-003 Class A, VCCI Class A, RCM AS/NZS EN55022 Class A, EN55024, EN50581 IEC/UL/EN60950-1, IEC/UL/EN60950-22, EN50130-4, IEC/UL/EN60529 IP66, IEC/UL/EN62262 IK10, NEMA 250 Type 4X

What's in the box?

- VB-M641VE Main Unit/VB-M640VE Main Unit
- Before Using this Camera
- EAC-Supported Guide
- Ceiling Plate
- Fixing Screw
- Safety Wire & Fixing Screw
- Wrench
- Template
- Power Interface Cable
- I/O Interface Cable
- Installation Guide
- Warranty Card
- Waterproofing Tape
- Warranty Card

Dimensions



Compatible Accessories.



Keep every angle covered

VB-M641VE & VB-M640VE

Fully outdoor-ready, with IK10 vandal resistance. These 1.3 MP dome cameras feature a Super-UD IR Corrected lens with an ultra wide 111.5° angle of view and high quality imaging day or night in extremely cold and hazardous areas.



Sales Start Date: August 2015

Product Details:

Product Name	Mercury Code	EAN Code
Network Camera VB-M641VE	0308C001AC	4549292032499
Network Camera VB-M640VE	0310C001AC	4549292032512

Optional Accessories:

Product Name	Mercury Code	EAN Code
Pendant Mounting Kit PC640-VB	0719C001AA	4549292043532
Heater Unit HU641-VB	0724C001AA	4549292043587
Sunshade Cover SC640-VB	0723C001AA	4549292043570
Conduit Adaptor CA640-VB	0713C001AA	4549292043471
Smoked Dome Unit DU640-S-VB	0722C001AA	4549292043563
AC Adapter PA-V18 (E)	8362B002AA	4960999986791
AC Adapter PA-V17 (GB)	2245B003AA	4960999480206

Measurement / Logistic Information:

Product Name	Mercury code	Pack type	Pack description	Quantity per pack	Length (mm)	Width (mm)	Height (mm)	Net Weight (kg)	Gross Weight (kg)
Network Camera VB-M641VE	0308C001AC	EA	Each	1	248	248	257	1.6	2.7
		CT	Carton	2	277	518	284	3.2	
		EP	Euro Pallet	18				29.2	
Network Camera VB-M640VE	0310C001AC	EA	Each	1	248	248	257	1.6	2.6
		CT	Carton	2	277	518	284	3.2	
		EP	Euro Pallet	18				28.6	