

AXIS 243SA Video server

Full featured, digital benefits for analog video surveillance systems.



- > Full frame rate in MPEG-4 and Motion JPEG
- > Video motion detection
- > Comprehensive security features
- > Two-way audio support
- > Support for PTZ and dome cameras

AXIS 243SA Video Server is designed to migrate analog systems into high-performance, IP-based solutions. This one-channel video server is the ideal choice for casinos, airports, traffic surveillance and prisons – anywhere an analog surveillance system is already installed and full frame rate is needed.

AXIS 243SA enables high resolution, full frame rate video surveillance and remote monitoring in MPEG-4 and Motion JPEG. It converts analog video into high quality, de-interlaced digital video, and can deliver the highest resolution, 4CIF, at 30/25 (NTSC/PAL) frames per second.

Event handling comprises a number of advanced functionalities such as video motion detection, image upload, scheduled and triggered event functionality with alarm notification.

A comprehensive set of security features, including multiple user access levels, HTTPS encryption and IP address filtering, ensures secure video handling and configuration.

The integrated two-way audio support enables identification of suspicious behavior and communication of orders or requests.

Pan/tilt/zoom and dome cameras may be connected to the unit's serial port and are easily controlled from a user interface

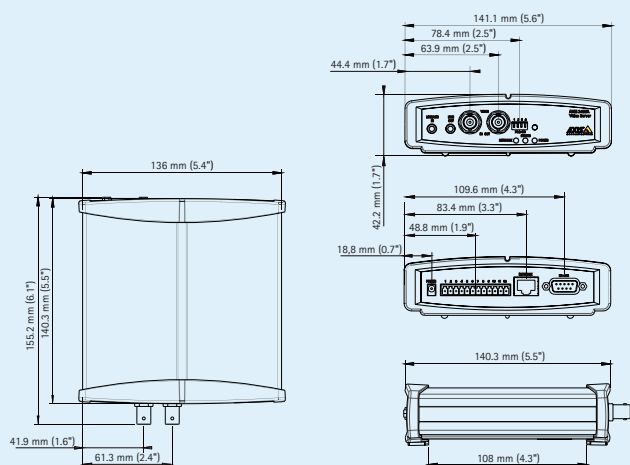


Technical specifications – AXIS 243SA Video server

| Video encoder | | System integration | |
|-------------------------------|---|--|--|
| Video compression | MPEG-4 Part 2 (ISO/IEC 14496-2) Motion JPEG | Application Programming Interface | Open API for software integration, including VAPIX® from Axis Communications available at www.axis.com |
| Resolutions | 704x576 to 160x120 | Intelligent video | Video motion detection, active tampering alarm, audio detection |
| Frame rate MPEG-4 | 30/25 (NTSC/PAL) fps in all resolutions | Alarm triggers | Intelligent video, external inputs, product restart, video loss |
| Frame rate Motion JPEG | 30/25 (NTSC/PAL) fps in all resolutions | Alarm events | File upload via FTP, HTTP and email Notification via email, HTTP and TCP External output activation PTZ presets Local storage |
| Video streaming | Simultaneous MPEG-4 and Motion JPEG Controllable frame rate and bandwidth VBR/CBR MPEG-4 | Video buffer | 9 MB pre- and post-alarm |
| Image settings | Compression, color Rotation: 90°, 180°, 270° Aspect ratio correction Text and image overlay Privacy mask Deinterlace filter | Pan/Tilt/Zoom | Wide range of analog PTZ cameras supported (drivers available for download at www.axis.com) 20 presets, guard tour, PTZ control queue Supports Windows compatible joysticks |
| Audio | | General | |
| Audio streaming | Two way, full or half-duplex | Casing | Metal casing. Standalone, stackable or with brackets for wall or cage mount |
| Audio compression | G.711 PCM 8 kHz 64 kbit/s G.726 ADPCM 8 kHz 32 or 24 kbit/s | Processors and memory | ETRAX 100LX, ARTPEC-2, 32 MB RAM, 8 MB Flash |
| Audio input/output | External microphone input or line input Line level output | Power | 7 – 20 V DC, max. 8 W |
| Network | | Connectors | Analog composite video NTSC/PAL auto-sensing: 1 BNC input, 1 BNC output (loopthrough) or Y/C video input RJ-45 10BASE-T/100BASE-TX I/O terminal block for four alarm inputs and four alarm outputs, RS-485, alternative power connection D-sub for RS-232 3.5 mm mic/line in, 3.5 mm line out |
| Security | Password protection, IP address filtering, HTTPS encryption, IEEE 802.1X network access control | Operating conditions | 5 – 50 °C (41 – 122 °F) Humidity 20 – 80% RH (non-condensing) |
| Supported protocols | IPv4/v6, HTTP, HTTPS, QoS layer 3 DiffServ, FTP, SMTP, Bonjour, UPnP, SNMPv1/v2c/v3(MIB-II), DNS, DynDNS, RTSP, RTP, TCP, UDP, IGMP, RTCP, ICMP, DHCP, ARP, SOCKS | Approvals | EN 55022 Class B, EN 61000-3-2, EN 61000-3-3, EN 55024, FCC Part 15 Subpart B Class B, ICES-003 Class B, VCCI Class B, C-tick AS/NZS CISPR 22, EN 60950-1 Power supply: EN 60950-1, UL, cUL |
| | | Weight | 540 g (1.2 lb.) |
| | | Included accessories | Power supply, mounting and connector kits, Installation Guide, CD with installation and management tools, software and User's Manual, 1 Windows decoder user license |

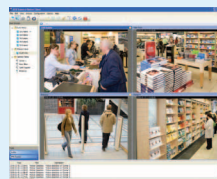
More information is available at www.axis.com

Dimensions



Optional accessories

AXIS T8310 Video Surveillance Control Board



For information on AXIS Camera Station and video management software from Axis' Application Development Partners, see www.axis.com/products/video/software/