

AXIS 210A/211A Network Cameras

Superior video quality for professional indoor and outdoor applications.



- > Superior image quality
- > Simultaneous MPEG-4 and Motion JPEG
- > Two-way audio
- > Video motion detection
- > Power over Ethernet

AXIS 210A and AXIS 211A Network Cameras offer a cost-effective, IP-based solution for professional security surveillance and remote monitoring, which make them an ideal choice for securing offices, shops and other indoor and outdoor facilities.

AXIS 210A and AXIS 211A deliver superior image quality using progressive scan, in up to 30 frames per second in 640x480 VGA resolution.

Simultaneous MPEG-4 and Motion JPEG video streams can be provided, allowing for optimization in image quality and bandwidth.

AXIS 210A and AXIS 211A support two-way audio, enabling remote users to not only view, but also listen in on an area and communicate orders or requests to visitors, customers or intruders.

AXIS 210A and AXIS 211A support video motion detection and advanced event management, including pre/post alarm image buffering.

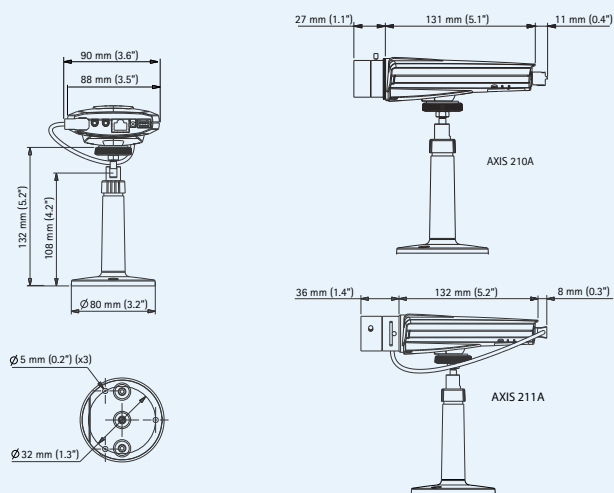
Both cameras support Power over Ethernet, allowing power to be delivered via the network, which eliminates the need for power cables and reduces installation costs.



Technical specifications – 210A/211A Network Cameras

Camera		System integration	
Models	AXIS 210A: indoor use only AXIS 211A: DC-iris, indoor/outdoor	Application Programming Interface	Open API for software integration, including VAPIX® from Axis Communications available at www.axis.com
Image sensor	1/4" Progressive scan RGB CCD	Intelligent video	Video motion detection, audio detection, active tampering alarm
Lens	AXIS 210A: 4.0 mm, F1.2, fixed iris, CS mount, horizontal angle of view: 48° AXIS 211A: 3.0 – 8.0 mm, F1.0, DC-iris, CS mount, horizontal angle of view 27° – 67°	Alarm triggers	Intelligent video and external input
Minimum illumination	AXIS 210A: 1.0 lux, F1.2 AXIS 211A: 0.75 lux, F1.0	Alarm events	File upload via FTP, HTTP and email Notification via email, HTTP and TCP External output activation
Shutter time	1/12500 s to 2 s	Video buffer	9 MB pre- and post alarm
Video		General	
Video compression	MPEG-4 Part 2 (ISO/IEC 14496-2) Motion JPEG	Processors and memory	ETRAX 100LX, ARTPEC-2 32 MB RAM, 8 MB Flash
Resolutions	160x120 to 640x480	Language support (web interface)	English Downloadable language files for French, German, Italian, Japanese and Spanish are available at www.axis.com/techsup Other language files may also be available
Frame rate MPEG-4	Up to 30 fps	Power	7 – 20 V DC max. 7W Power over Ethernet IEEE 802.3af Class 2
Frame rate Motion JPEG	Up to 30 fps	Connectors	RJ-45 10BASE-T/100BASE-TX PoE Terminal block for 1 alarm input, 1 output and alternative power connection 3.5 mm mic/line in, 3.5 mm line out
Video streaming	Simultaneous MPEG-4 and Motion JPEG Controllable frame rate and bandwidth VBR/CBR MPEG-4	Operating conditions	5 – 45 °C (41 – 113 °F) Humidity 20 – 80% RH (non-condensing)
Image settings	Compression, color, brightness, contrast, white balance, exposure control, rotation, mirroring, fine tuning of behavior at low light Text and image overlay Privacy mask	Approvals	EN 55022 Class B, EN 55024, EN 61000-3-2, EN 61000-3-3, FCC Part 15 Subpart B Class B, VCCI Class B, ICES-003 Class B, C-tick AS/NZS CISPR 22, EN 60950-1 Power supply: EN 60950-1, UL, cUL
Audio		Weight	270 g (0.4 lb.)
Audio streaming	Two-way, full or half duplex	Included accessories	Power supply, connector kit, stand, Installation Guide, CD with installation tool, recording software and User's Manual, Windows decoder 1-user license
Audio compression	G.711 PCM 8 kHz G.726 ADPCM 8 kHz Configurable bit rate		
Audio input/output	Built-in microphone, external microphone input/line input, line output		
Network			
Security	Password protection, IP address filtering, HTTPS encryption, IEEE 802.1X network access control, digest authentication, user access log		
Supported protocols	IPv4/v6, HTTP, HTTPS, QoS Layer 3 DiffServ, FTP, SMTP, Bonjour, UPnP, SNMPv1/v2c/v3 (MIB-II), DNS, DynDNS, RTSP, RTP, TCP, UDP, IGMP, RTPC, ICMP, DHCP, ARP, SOCKS		

Dimensions



More information is available at www.axis.com

Optional accessories

Various housings



Lenses



For information on AXIS Camera Station and video management software from Axis' Application Development Partners, see www.axis.com/products/video/software/