

VB-R13VE & VB-R12VE

All-weather and vandal resistant speed domes delivering maximum visual coverage.

Ideal for demanding outdoor applications these Full HD continuous 360° PTZ cameras offer extensive protection, precision control and accurate monitoring.



Shown with Ceiling Mnt Kit

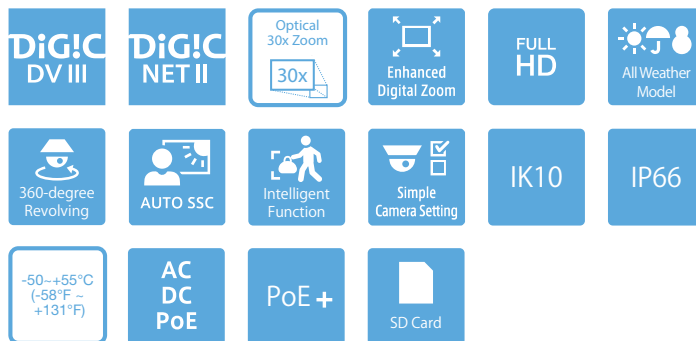


Shown with Wall Mnt kit

- 30x zoom for exceptional detail and surveillance coverage
- Continuous panning, Auto-Flip and advanced subject tracking
- Stunning low-light performance and fast, accurate auto focus
- Vandal and weather resistant, with an extended operating temperature range
- Enhanced Digital Zoom extends the camera's zoom capabilities while maximising image quality
- Motion Adaptive Noise Reduction and Area-Specific Data Size Reduction (ADSR) maintain video quality while reducing bandwidth usage
- On-board analytics functions provide intelligent alert detection capabilities
- Configure and view live streams on supported web browsers and mobile devices
- ONVIF® Profile S and Profile G compliant

Product Range

VB-R13VE
VB-R12VE
VB-R11VE
VB-R10VE
VB-R13
VB-R11



VB-R13VE & VB-R12VE

Technical Specifications

	VB-R13VE	VB-R12VE
CAMERA		
Image Sensor	1/3 type CMOS (primary colour filter)	
Number of Effective Pixels	Approx. 2.1 million pixels	
Scanning Method	Progressive	
Lens	30x optical zoom (20x digital zoom) lens with auto focus	
Focal Length	4.4 (W) - 132 mm (T)	
F-number	F1.4 (W) - F4.6 (T)	
Viewing Angle	For 16:9 aspect ratios: Horizontal: 62.6° (W) - 2.2° (T) Vertical: 36.9° (W) - 1.3° (T) For 4:3 aspect ratios: Horizontal: 48.5° (W) - 1.7° (T) Vertical: 36.9° (W) - 1.3° (T)	
Day/Night Switch	Auto / Day Mode / Night Mode	
Min. Subject Illumination	Day Mode (colour): 0.05 lux (F1.4, shutter speed 1/30 sec., SSC off, 50IRE) Night Mode (monochrome): 0.002 lux (F1.4, shutter speed 1/30 sec., SSC off, 50IRE) Smoked Dome fitted (sold separately) Day Mode (colour): 0.1 lux (F1.4, shutter speed 1/30 sec., SSC off, 50IRE) Night Mode (monochrome): 0.004 lux (F1.4, shutter speed 1/30 sec., SSC off, 50IRE)	
Focus	Auto / One-shot AF / Manual / Fixed at infinity	
Shooting Distance (from front of lens)	Day Mode: 0.3 m (12 in.) - infinity (W) 2.0 m (6.6 ft.) - infinity (T) Night Mode: 1.0 m (3.3 ft.) - infinity (W) 2.0 m (6.6 ft.) - infinity (T)	
Shutter Speed	1, 1/2, 1/4, 1/8, 1/15, 1/30, 1/50, 1/60, 1/100, 1/120, 1/250, 1/500, 1/1000, 1/2000, 1/4000, 1/8000, 1/10000, 1/16000 sec.	
Exposure	Auto / Auto (Flickerless) / Auto (Shutter-priority AE) / Auto (Aperture-priority AE) / Manual (Shutter Speed, Aperture, Gain)	
White Balance	Auto / Light Source / Manual Light Source: Daylight Fluorescent / White Fluorescent / Warm Fluorescent / Mercury Lamp / Sodium Lamp / Halogen Lamp Manual: One-shot WB / R Gain / B Gain	
Metering Mode	Center-Weighted / Average / Spot	
Exposure Compensation	9 levels	
Smart Shade Control	Auto / Manual / Disable Auto: 3 levels Manual: 7 levels - Brightens shaded areas of a video	
Haze Compensation	Auto / Manual / Disable Auto: 3 levels Manual: 7 levels	
AGC Limit	6 levels	
Image Stabilizer	2 levels (digital)	
Motion-Adaptive NR (Noise Reduction)	Available	
Pan Angle Range	360° continuous panning	
Tilt Angle Range	180° (ceiling-mounted position: 0° - 180°) - When the horizontal direction of the camera is 0° NB: - When the tilt angle is between angles below, the dome cover can cause a line to appear in the video, as well as a decline in the video quality 0° - 12° (168° - 180°) (W) 0° - 5° (175° - 180°) (T)	
Moving Speed	Pan: Max. 450°/sec. Tilt: Max. 450°/sec.	
SERVER		
Video Compression Method	JPEG, H.264	
Video Size	JPEG, H.264: 1920 x 1080, 960 x 540, 480 x 270 1280 x 720, 640 x 360, 320 x 180 1280 x 960, 640 x 480, 320 x 240	
Video Quality	JPEG, H.264: 10 levels	
Frame Rate	JPEG: 0.1 - 30 fps H.264: 1/2/3/5/6/10/15/30 fps - Values represent streaming performance from the camera. - The frame rate may be reduced due to Viewer computer's specs, the number of clients accessing at the same time, network loads, video quality setting, type or movement of the subject or other reasons. Maximum frame rate when used in the following combinations: When streaming H.264(1) (1920 x 1080) and H.264(2) (all sizes) simultaneously: 15 fps When streaming H.264(1) (all sizes) and H.264(2) (1920 x 1080) simultaneously: 15 fps When streaming H.264(1) (1280 x 960) and H.264(2) (1280 x 960) simultaneously: 15 fps When streaming H.264(1) (1280 x 720) and H.264(2) (1280 x 720) simultaneously: 15 fps	
I-Frame Interval	0.5/1/1.5/2/3/4/5 sec.	
Simultaneous Client Access	Max. 30 Clients + 1 Admin Client - H.264: Max. 10 Clients	
Bit Rate Control	Target Bit Rate: 64/128/256/384/512/768/1024/1536/2048/3072/4096/6144/8192/10240/12288/14336/16384 kbps	
ADSR: Area-specific Data Size Reduction	Number of Specified Areas: Max. 8 areas Data Size Reduction Level: 3 levels	
Security	Camera Control: Administrator, Authorized user, Guest user (level of control varies depending on user) Access Control: User authority (user name and password), Host Access Restrictions (IPv4, IPv6) IEEE802.1X: EAP-MDS, EAP-TLS, EAP-TTLS, EAP-PEAP Encrypted Communications: SSL/TLS, IPsec	
Protocol	IPv4, IPv6, TCP/IP, UDP, HTTP, FTP, SNMPv1/v2c/v3 (MIB2), DHCP, DNS, AutoIP, mDNS, ARP, ICMP, POP3, NTP, SMTP, RTP/RTCP, RTSP, SSL/TLS, IPsec, ONVIF, WV-HTTP (Canon proprietary)	
Audio Compression Method	G.711 μ -law (64 kbps)	-
Audio Communication Method	Full-duplex (two-way) - Echo cancellation function compliant RTP, Sound Transfer Protocol by Canon	-

	VB-R13VE	VB-R12VE
Audio File Playback	Available (audio files can be played back when an event is triggered by the intelligent function or external device input) - A third-party amplifier speaker is necessary	-
Privacy Mask	Number of registration: Max. 8 places, Number of mask colors: 1 (select from 9 colors)	
Panorama	Available	
View Restriction	Available	
Preset	Number of registers: Max. 256 positions (+Home Position) Number of Preset Tour Route: Max. 5	
Intelligent Function (Video)	Moving Object Detection, Abandoned Object Detection, Removed Object Detection, Camera Tampering Detection, Passing Detection, Intrusion Detection, and Auto Tracking Detection Settings: Max. 15 Non-detection Area Settings: Available	
Intelligent Function (Audio)	Volume Detection, Scream Detection	-
Event Trigger Type	External Device Input, Intelligent Function (Video), Intelligent Function (Audio), Timer, Day/Night Switch Number of Linked Events: 2 Linked Event Conditions: OR, AND (whether or not there is a sequence to events)	External Device Input, Intelligent Function (Video), Timer, Day/Night Switch
Image Upload	FTP / HTTP / SMTP (e-mail)	
Event Notification	HTTP / SMTP (e-mail)	
Log Notification	SMTP (e-mail)	
Enhanced Digital Zoom	Available	
Maximum Digital Zoom Magnification Selection	5x/10x/15x/20x Available English / Chinese (Simplified) / Japanese	
Daylight Saving Time	Available	
INTERFACE		
Network Terminal	LAN x1 (RJ45, 100Base-TX (auto / full-duplex / half-duplex))	
Audio Input Terminal (common for LINE IN & MIC IN)	ϕ 3.5 mm (ϕ 0.14 in.) mini-jack connector (monaural) LINE IN (connect to an amplifier microphone) or MIC IN (connect to a microphone w/o amplifier) - Switch LINE IN/MIC IN in the setting page.	-
Audio Output Terminal (LINE OUT)	ϕ 3.5 mm (ϕ 0.14 in.) mini-jack connector (monaural) LINE OUT (connect to an amplifier speaker)	-
External Device I/O Terminal	Input x 2, Output x 2	-
Memory Card	SD Memory Card, SDHC Memory Card, SDXC Memory Card Compatible. Recorded Content: Log, Video (Event, Manual, ONVIF, Timer, Upload) Frame Rate: Max. 1 fps (JPEG) Max. 30 fps (H.264) - To insure reliability in the recording speed, it is recommended to use CLASS10 rated products. Even when using CLASS10 products, reliability cannot be guaranteed during heavy access loads (e.g., when recording and deleting data at the same time).	
OTHER		
Operating Environment	Temperature Operating Temperature Range (including direct sun exposure) AC: -50°C - +55°C (-58°F - +131°F) PoE+: -35°C - +55°C (-31°F - +131°F) DC, PoE: -10°C - +55°C (+14°F - +131°F) Start-up Temperature Range (including direct sun exposure) AC, PoE+: -30°C - +55°C (-22°F - +131°F) DC, PoE: -10°C - +55°C (+14°F - +131°F) Humidity 5% - 85% (without condensation)	
Installation Method	Ceiling mount / Surface mount - Canon will not guarantee proper operation if the cameras are installed on surfaces where the angle is more than 45° from horizontal, because this will put a heavy load onto sliding mechanical parts and may affect durability.	
Power Supply	PoE: PoE power supply via LAN connector (IEEE802.3at Type1/Type2 compliant) AC Adapter: PA-V18 (100 - 240 V AC) (sold separately) External power source: 24 V AC/12 V DC	
Power Consumption	PoE+: Max. approx. 22.4 W*1 PoE: Max. approx. 11.3 W*2 AC Adapter PA-V18: Max. approx. 13.8 W (100 V AC) Max. approx. 13.8 W (240 V AC) DC: Max. approx. 12.3 W AC: Max. approx. 34.8 W *1 Class 4 power sourcing equipment (requests 30.0 W) *2 Class 0 power sourcing equipment (requests 15.4 W)	
Dimensions	(ϕ x H) ϕ 229 x 324 mm (ϕ 9.02 x 12.76 in.) - Camera only	(ϕ x H) ϕ 229 x 324 mm (ϕ 9.02 x 12.76 in.) - Camera only (excluding connector height)
Weight	Approx. 3530 g (7.79 lb.)	Approx. 3420 g (7.54 lb.)
Impact Resistance	IK10 (20J)	
Dust-resistant/Waterproof Specification	IP66	
International Standard	EN55032 Class A, FCC part15 subpart B Class A, ICES-003 Class A, VCCI Class A, RCM AS / NZS EN55032 Class A, CNS13438 Class A, KN32 Class A, EN55024, KN35, EN50581 IEC / UL / EN 60950-1, IEC / UL / EN 60950-1/-2, EN50130-4, IEC / UL / EN 60529 IP66, IEC / UL / EN 62262 IK10, NEMA 250 Type 4X	EN55032 Class A, FCC part15 subpart B Class A, ICES-3 / NMB-3 Class A, VCCI Class A, RCM AS / NZS EN55032 Class A, EN55024, EN50581 IEC / UL / EN 60950-1, UL / EN / C-UL60950-1 / -2, EN50130-4, IEC / UL / EN 60529 IP66, IEC / UL / EN 62262 IK10, NEMA 250 Type 4X

VB-R13VE & VB-R12VE

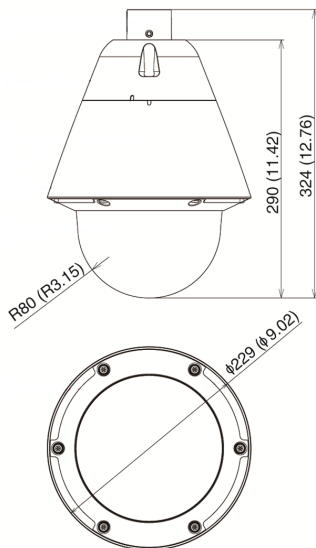
Technical Specifications

	VB-R13VE	VB-R12VE
APPLICATION		
Viewer	Camera Viewer Mobile Camera Viewer	
Included Software	Camera Management Tool RM-Lite Recorded Video Utility	
Language	German / English / Spanish / French / Italian / Polish / Russian / Thai / Turkish / Chinese (Simplified) / Japanese	
Operating System/ Compatible Browser	Windows Vista, Internet Explorer 9 Windows 7, Internet Explorer 11/Chrome 54 Windows 8.1, Internet Explorer 11/Chrome 54 Windows 10, Internet Explorer 11/Microsoft Edge/Chrome 54 Windows Server 2008, Internet Explorer 9 Windows Server 2008 R2, Internet Explorer 11/Chrome 54 Windows Server 2012, Internet Explorer 10/Chrome 54 Windows Server 2012 R2, Internet Explorer 11/Chrome 54 Windows Server 2016, Internet Explorer 11/Chrome 54	
Verified Mobile Devices	Surface, iPad, iPhone, Nexus, Galaxy	

What's in the box?

- Setup CD-ROM
- Power Interface Cable (VB-R13VE)
- Power Interface Cable (Waterproofing) (VB-R12VE)
- LAN Connector Set (Waterproofing) (VB-R12VE)
- I/O Interface Cable (VB-R13VE)
- Wrench
- Installation Guide
- Warranty Card
- Leaflet of Warranty Card

Dimensions



Compatible Accessories



CM10-VB
Ceiling Mounting Kit



WM10-VB
Wall Mounting Kit



PA-V17 / PA-V18
AC Power Supply
*Available in Euro 2-Pin
& UK 3-Pin plug



PA10-15-VB
1.5 inch Pipe Adapter



DU640-S-VB
Smoked Dome Unit

VB-R13VE & VB-R12VE

All-weather and vandal resistant speed domes delivering maximum visual coverage.

Ideal for demanding outdoor applications these Full HD continuous 360° PTZ cameras offer extensive protection, precision control and accurate monitoring.



Sales Start Date: August 2016

Product Details:

Product Name	Mercury Code	EAN Code
Network Camera VB-R13VE	1381C001AB	4549292074994
Network Camera VB-R12VE	1382C001AB	4549292075007

Optional Accessories:

Product Name	Mercury Code	EAN Code
Ceiling Mounting Kit CM10-VB	0711C001AA	4549292043457
1.5inch Pipe Adapter PA10-15-VB	0718C001AA	4549292043525
Wall Mounting kit WM10-VB	0720C001AA	4549292043549
Smoked Dome Unit DU10-S-VB	0721C001AA	4549292043556
AC Adapter PA-V18 (E)	8362B002AA	4960999986791
AC Adapter PA-V18 (GB)	8362B003AA	4960999986319

Measurement / Logistic Information:

Product Name	Mercury code	Pack type	Pack description	Quantity per pack	Length (mm)	Width (mm)	Height (mm)	Net Weight (kg)	Gross Weight (kg)
Network Camera VB-R13VE	1381C001AB	EA	Each	1	336	376	470	3.5	5.2
		CT	Carton	1	336	376	470	3.5	
		EP	Euro Pallet	12				42.4	
Network Camera VB-R12VE	1382C001AB	EA	Each	1	336	376	470	3.4	5.2
		CT	Carton	1	336	376	470	3.4	
		EP	Euro Pallet	12				41.0	

What's in the box?

- Setup CD-ROM
- Power Interface Cable (VB-R13VE)
- Power Interface Cable (Waterproofing) (VB-R12VE)
- LAN Connector Set (Waterproofing) (VB-R12VE)
- I/O Interface Cable (VB-R13VE)
- Wrench
- Installation Guide
- Warranty Card
- Leaflet of Warranty Card