

VB-M720F



Keep every angle covered

The VB-M720F 1.3MP fixed box camera with an ultra-wide 112° field of view and superior low-light performance. Flexible installation options for indoor and outdoor use.



- 1.3 MP fixed box IP security camera
- 3x optical zoom lens with ultra-wide 112° field of view
- Superior image quality using Canon DIGIC DV III processor
- Canon DIGIC NET II supports multiple motion JPEG and dual H.264 video streams
- Excellent low-light performance: colour at 0.3 lux and mono at 0.015 lux
- Auto Smart Shade Control (Auto-SSC) improves foreground objects in bright backlit scenes
- True Day / Night and two-way audio (supports playback of saved audio files from camera)
- Intelligent Functions

Product Range

VB-M741LE
VB-M740E
VB-H730F
VB-M720F
VB-S900F
VB-S905F



Technical Specifications

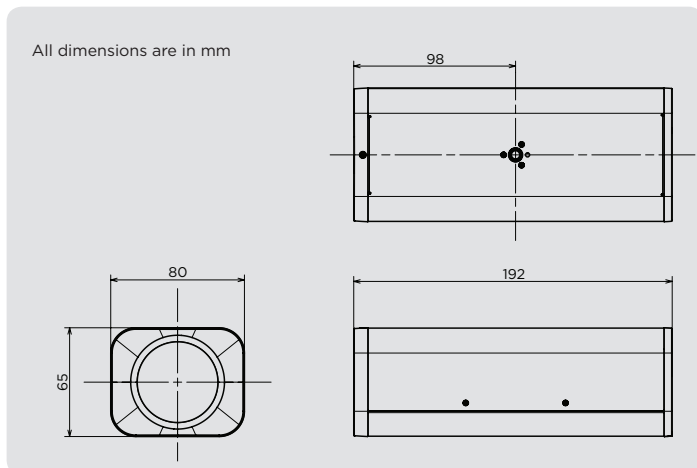
VB-M720F

CAMERA	
Image Sensor	1/3 type CMOS (primary colour filter)
Number of Effective Pixels	Approx. 1.3 million pixels
Scanning Method	Progressive
Lens	3x optical (4x digital zoom) zoom lens (electric drive)
Focal Length	2.8 (W) – 8.4 mm (T) (W): maximum wide angle, (T): maximum telephoto
F-Number	F1.2 (W) – F2 (T)
Viewing Angle	For 16:9 aspect ratios Horizontal: 112.6° (W) – 36.7° (T) Vertical: 60.8° (W) – 20.6° (T) For 4:3 aspect ratios Horizontal: 82.3° (W) – 27.5° (T) Vertical: 60.8° (W) – 20.6° (T)
Day / Night Switch	Auto / Day Mode / Night Mode
Min. Subject Illumination	Day Mode (colour): 0.3 lux (F1.2, shutter speed 1/30 sec., when SSC is off, 50IRE) 0.02 lux (F1.2, shutter speed 1/2 sec., when SSC is off, 50IRE) 0.008 lux (F1.2, shutter speed 1/2 sec., when SSC is on, 50IRE) Night Mode (monochrome): 0.015 lux (F1.2, shutter speed 1/30 sec., when SSC is off, 50IRE) 0.001 lux (F1.2, shutter speed 1/2 sec., when SSC is off, 50IRE) 0.0005 lux (F1.2, shutter speed 1/2 sec., when SSC is on, 50IRE)
Focus	One-shot AF / Manual / Fixed at infinity
Shooting Distance	Day Mode: 0.3 m – infinity Night Mode: 1.0 m – infinity
Shutter Speed	1, 1/2, 1/4, 1/8, 1/15, 1/30, 1/60, 1/100, 1/120, 1/250, 1/500, 1/1000, 1/2000, 1/4000, 1/8000, 1/10000, 1/16000 sec.
Exposure	Auto/Auto (Flickerless)/Auto (Shutter-priority AE)/Manual (Shutter Speed, Aperture, Gain)
White Balance	Auto/Light Source (Daylight Fluorescent/White Fluorescent/Warm Fluorescent/Mercury Lamp/ Sodium Lamp/Halogen Lamp)/Manual (One-shot WB/R Gain/B Gain)
Metering Mode	Center-Weighted / Average / Spot
Exposure	Auto / Auto (Flickerless) / Auto (Shutter-priority AE) / Manual (Shutter Speed, Gain)
Exposure Compensation	9 levels
Smart Shade Control	Auto / Manual / Disable Auto: 3 levels Manual: 7 levels
Haze Compensation	Auto / Manual / Disable Auto: 3 levels Manual: 7 levels
AGC Limit	5 levels
SERVER UNIT	
Video Compression Method	JPEG, H.264
Video Size	JPEG, H.264: 1280 x 720, 640 x 360, 320 x 180 1280 x 960, 640 x 480, 320 x 240
Video Quality	JPEG, H.264: 5 levels
Frame Rate	JPEG: 0.1 – 30 fps H.264: 1/2/3/5/6/10/15/30 fps <small>* Values represent streaming performance from the camera. - The frame rate may be reduced due to Viewer PC's specs, the number of clients accessing at the same time, network loads, video quality setting, type or movement of the subject or other reasons.</small>
Max. Frame Rate	When streaming JPEG, H.264 (1280 x 960): 30 fps When used in the following combinations: When streaming H.264(1) (1280 x 960) and H.264(2) (1280 x 960) simultaneously: 15 fps When streaming H.264(1) (1280 x 720) and H.264(2) (1280 x 720) simultaneously: 15 fps*
I-Frame Interval	0.5 / 1 / 1.5 / 2 / 3 / 4 / 5 sec.
Simultaneous Client Access	Max. 30 Clients + 1 Admin Client – H.264: Max. 10 Clients
Camera Control	Administrator, Authorized user, Guest user (level of control varies depending on user) Max. 50 user names and passwords registered for authorized users.
Access Control	User authority (user name and password), Host Access Restrictions (IPv4, IPv6)
Encrypted Communications	SSL / TLS, IPsec (Auto Key Exchange/Manual)
IEEE802.1X	EAP-MD5, EAP-TLS, EAP-TTLS, EAP-PEAP
Protocol	IPv4: TCP / IP, UDP, HTTP, FTP, SNMPv1/v2c/v3 (MIB2), SMTP (Client), DHCP (Client), DNS (Client), mDNS, ARP, ICMP, POP3, NTP, SMTP authentication, RTSP, WV-HTTP (Canon proprietary), ONVIF IPv6: TCP / IP, UDP, HTTP, FTP, SMTP (Client), DHCPv6 (Client), DNS (Client), mDNS, ICMPv6, POP3, NTP, SMTP authentication, RTSP, WV-HTTP (Canon proprietary), ONVIF
AutoIP	Available

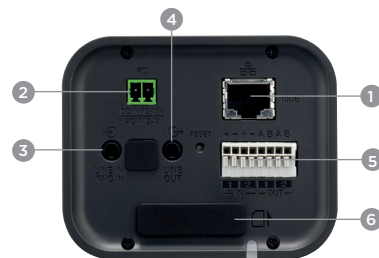
Audio Compression Method	G.711 μ -law (64 kbps)
Audio Communication Method	Full-duplex (two-way) – Echo cancellation function compliant Sound Transfer Protocol by Canon
Audio File Playback	Available (audio files can be played back when an event is triggered by the intelligent function or external device input.) - Requires third-party amplifier & speaker
Privacy Mask	Number of registration: Max. 8 places, Number of mask colours: 1 (select from 9 colours)
Preset	Max. 20 positions
Intelligent Function	Video: Detection Types: moving object detection, abandoned object detection, removed object detection, camera tampering detection, and passing detection. Detection Settings: Max. 15 Volume: Volume Detection
Event Trigger Type	External Device Input, Intelligent Function (Video), Intelligent Function (Volume), Timer
Image Upload	FTP / HTTP / SMTP (e-mail) Temporary storage memory in camera: Max. approx. 5 MB Frame Rate: Max. 10 fps (JPEG) Max. 30 fps (H.264)
Event Notification	HTTP / SMTP (e-mail)
Image Cropping Function	Digital PTZ Cropping sizes: 640 x 360 / 512 x 288 / 384 x 216 / 256 x 144 / 128 x 72 640 x 480 / 512 x 384 / 384 x 288 / 256 x 192 / 128 x 96
On-Screen Display	Available
Daylight Saving Time	Available
Custom Settings	Number of registers: 4 Items to Reg.: Exposure, Smart Shade Control, Haze Compensation, Focus, White Balance, Image Quality Adjustment, Day/Night
APPLICATION	
Viewer	Camera-side: Admin Viewer VB Viewer
Admin Tools	Privacy Mask Setting Tool, Preset Setting Tool, Intelligent Function Setting Tool, Log Viewer, Recorded Video Utility
Included Software	Camera Management Tool, RM-Lite, Proxy Authentication Admin Tools / Admin Viewer, Camera Angle Setting Tool
Language	German / English / Spanish / French / Italian / Russian / Turkish / Chinese (Simplified) / Japanese
INTERFACE	
Network Terminal	LAN x1 (RJ45, 100Base-TX (auto / full-duplex / half-duplex))
Audio Input Terminal (common for LINE IN & MIC IN)	ϕ 3.5 mm (ϕ 0.14 in.) mini-jack connector (monaural) Switch LINE IN / MIC IN in the setting page. LINE IN x1 (connect to an amplifier microphone) or MIC IN x1 (connect to a microphone w/o amplifier)
Audio Output Terminal (LINE OUT)	ϕ 3.5 mm (ϕ 0.14 in.) mini-jack connector (monaural) LINE OUT x1 (connect to an amplifier speaker)
External Device I/O Terminal	Input x 2, Output x 2
Memory Card	SD Memory Card, SDHC Memory Card, SDXC Memory Card Compatible. Frame Rate: Max. 1 fps (JPEG) Max. 30 fps (H.264)
OTHER	
Operating Environment	Temperature: -10°C – +50°C (+14°F – +122°F) Humidity: 5% – 85% (without condensation)
Power Supply	PoE: PoE power supply via LAN connector (IEEE802.3af compliant) AC Adapter: PA-V17 or PA-V18 (100 – 240 V AC) (sold separately) External power source: 24 V AC/12 V DC
Power Consumption	When using PoE: Max. approx. 6.9 W* When using AC Adapter PA-V17: Max. approx. 8.5 W (100 V AC) Max. approx. 8.7 W (240 V AC) When using AC Adapter PA-V18: Max. approx. 7.5 W (100 V AC) Max. approx. 7.8 W (240 V AC) When using DC: Max. approx. 7.0 W When using AC: Max. approx. 6.5 W <small>* Class 0 power sourcing equipment (requests 15.4 W)</small>
Dimensions	(H x W x D) 65 x 80 x 192 mm (2.56 x 3.15 x 7.56 in.)
Weight	Approx. 670 g (1.48 lb.)

All data is based on Canon standard testing methods except where indicated. Subject to change without notice.
™ and ®: All company and / or product names are trademarks and / or registered trademarks of their respective manufacturers in their markets and / or countries.

Dimensions



Connectivity



- 1 Network interface RJ45, 100Base-TX (Auto / Full-duplex / Half-duplex)
- 2 Power Connection Terminal 12V DC / 24V AC
- 3 Audio Input 3.5mm mono mini-jack
- 4 Audio Output 3.5mm mono mini-jack
- 5 External Device I/O 2 x Inputs / 2 x Outputs
- 6 Memory Card Slot SD and SDHC Memory Card compatible

Keep every angle covered

VB-M720F

The VB-M720F 1.3MP fixed box camera with an ultra-wide 112° field of view and superior low-light performance. Flexible installation options for indoor and outdoor use.



Sales Start Date: December 2014

Product Details:

Product Name	Mercury Code	EAN Code	Recommended Retail Price
Network Camera VB-M720F	9909B001AA	4549292026177	<Please fill in RRP>

Measurement / Logistic Information:

Product Name	Mercury code	Pack type	Pack description	Quantity per pack	Length (mm)	Width (mm)	Height (mm)	Net Weight (kg)	Gross Weight (kg)
Network Camera VB-M720F	9909B001AA	EA	Each	1	252	165	129	Approx. 0.67	Approx. 1.09
		CT	Carton	6	411	352	292	Approx. 4.02	Approx. 7.34
		EP	Euro Pallet	—	—	—	—	—	—

What's in the box?

- VB-M720F Main Unit
- Power Connector
- Setup CD-ROM
- Installation Guide
- Warranty Card
- Notice