

VB-H652LVE

Vandal resistance fixed dome with IR ideal for a variety of outdoor environments, climates and lighting conditions.

Full HD, ultra-wide 122.1° field of view, bright f/1.2-1.8 lens, IK10 and IP66 plus built-in infrared LEDs for detailed mono image capture up to 20 m away.



- See more of the scene with the VB-H652LVE's ultra wide-angle lens
- Vandal-resistant, weather-resistant, and NEMA250 Type 4X compliance for extensive protection against the elements
- Built-in infrared LEDs for around-the-clock monitoring
- Motion Adaptive Noise Reduction and Area-Specific Data Size Reduction (ADSR) maintain video quality while reducing bandwidth usage
- On-board analytics functions for advanced alarm detection
- Live monitoring and configuration on supported web browsers and mobile devices
- Supports ONVIF® Profile S and Profile G

Product Range

VB-H652LVE

VB-H651VE
VB-H630VE
VB-M641VE
VB-M640VE
VB-M620VE



VB-H652LVE

Technical Specifications

CAMERA	
Image Sensor	1/3 type CMOS (primary colour filter)
Number of Effective Pixels	Approx. 2.1 million pixels
Scanning Method	Progressive
Lens	2.4x optical zoom (4x digital zoom) lens (electric drive)
Focal Length	2.55 (W) - 6.12 mm (T)
F-number	F1.2 (W) - F1.8 (T)
Viewing Angle	For 16:9 aspect ratios: Horizontal: 122.1° (W) - 50.1° (T) Vertical: 65.9° (W) - 28.1° (T) For 4:3 aspect ratios: Horizontal: 89.2° (W) - 37.5° (T) Vertical: 65.9° (W) - 28.1° (T)
Day / Night Switch	Auto / Day Mode / Night Mode
Min. Subject Illumination	Day Mode (colour): 0.035 lux (F1.2, shutter speed 1/30 sec., SSC off, 50IRE) Night Mode (monochrome): 0 lux / 0.002 lux (F1.2, shutter speed 1/30 sec., SSC off, 50IRE with IR light on / off) Smoked Dome fitted (sold separately) Day Mode (colour): 0.07 lux (F1.2, shutter speed 1/30 sec., SSC off, 50IRE) Night Mode (monochrome): 0.004 lux (F1.2, shutter speed 1/30 sec., SSC off, 50IRE)
Focus	Auto / One-shot AF / Manual / Fixed at infinity
Shooting Distance (from front of lens)	Day Mode: 0.3 m (12 in.) - infinity Night Mode: 0.3 m (12 in.) - infinity
Shutter Speed	1, 1/2, 1/4, 1/8, 1/15, 1/30, 1/50, 1/60, 1/100, 1/120, 1/250, 1/500, 1/1000, 1/2000, 1/4000, 1/8000, 1/10000, 1/16000 sec.
Exposure	Auto / Auto (Flickerless) / Auto (Shutter-priority AE) / Auto (Aperture-priority AE) / Manual (Shutter Speed, Aperture, Gain)
White Balance	Auto / Light Source / Manual Light Source: Daylight Fluorescent / White Fluorescent / Warm Fluorescent / Mercury Lamp / Sodium Lamp / Halogen Lamp Manual: One-shot WB/R Gain/B Gain
Metering Mode	Center-Weighted / Average / Spot
Exposure Compensation	9 levels
Smart Shade Control	Auto / Manual / Disable Auto: 3 levels Manual: 7 levels - Brightens shaded areas of a video
Haze Compensation	Auto / Manual / Disable Auto: 3 levels Manual: 7 levels
AGC Limit	6 levels
Image Stabilizer	2 levels (digital)
Motion-Adaptive NR (NoiseReduction)	Available
IR Illumination Range	20 m (65.6 ft.)
Pan Angle Range	360° (±180°)
Tilt Angle Range	90° (-15° - +75°) - Camera is at 0° when attached to the ceiling and facing straight down
Rotation Angle Range	350° (+220°/-130°) +: Clockwise
Moving Speed	- (Limited to manual movement)
SERVER	
Video Compression Method	JPEG, H.264
Video Size	JPEG, H.264: 1920 x 1080, 960 x 540, 480 x 270 1280 x 720, 640 x 360, 320 x 180 1280 x 960, 640 x 480, 320 x 240
Video Quality	JPEG, H.264: 10 levels
Frame Rate	JPEG: 0.1 - 30 fps H.264: 1/2/3/5/6/10/15/30 fps - Values represent streaming performance from the camera. - The frame rate may be reduced due to viewer computer's specs, the number of clients accessing at the same time, network loads, video quality setting, type or movement of the subject or other reasons. Maximum frame rate when used in the following combinations: When streaming H.264(1) (1920 x 1080) and H.264(2) (all sizes) simultaneously: 15 fps When streaming H.264(1) (all sizes) and H.264(2) (1920 x 1080) simultaneously: 15 fps When streaming H.264(1) (1280 x 960) and H.264(2) (1280 x 960) simultaneously: 15 fps When streaming H.264(1) (1280 x 720) and H.264(2) (1280 x 720) simultaneously: 15 fps
I-Frame Interval	0.5/1/1.5/2/3/4/5 sec.
Simultaneous Client Access	Max. 30 Clients + 1 Admin Client - H.264: Max. 10 Clients
Bit Rate Control	Target Bit Rate: 64/128/256/384/512/768/1024/1536/2048/3072/4096/6144/8192/10240/12288/14336/16384 kbps
ADSR: Area-specific Data Size Reduction	Number of Specified Areas: Max. 8 areas Data Size Reduction Level: 3 levels
Security	Camera Control: Administrator, Authorized user, Guest user (level of control varies depending on user) Access Control: User authority (user name and password), Host Access Restrictions (IPv4, IPv6) IEEE802.1X: EAP-MDS, EAP-TLS, EAP-TTLS, EAP-PEAP Encrypted Communications: SSL/TLS, IPsec
Protocol	IPv4, IPv6, TCP/IP, UDP, HTTP, FTP, SNMPv1/v2c/v3 (MIB2), DHCP, DNS, AutoIP, mDNS, ARP, ICMP, POP3, NTP, SMTP, RTP/RTCP, RTSP, SSL/TLS, IPsec, ONVIF, WV-HTTP (Canon proprietary)
Audio Compression Method	G.711 µ-law (64 kbps)

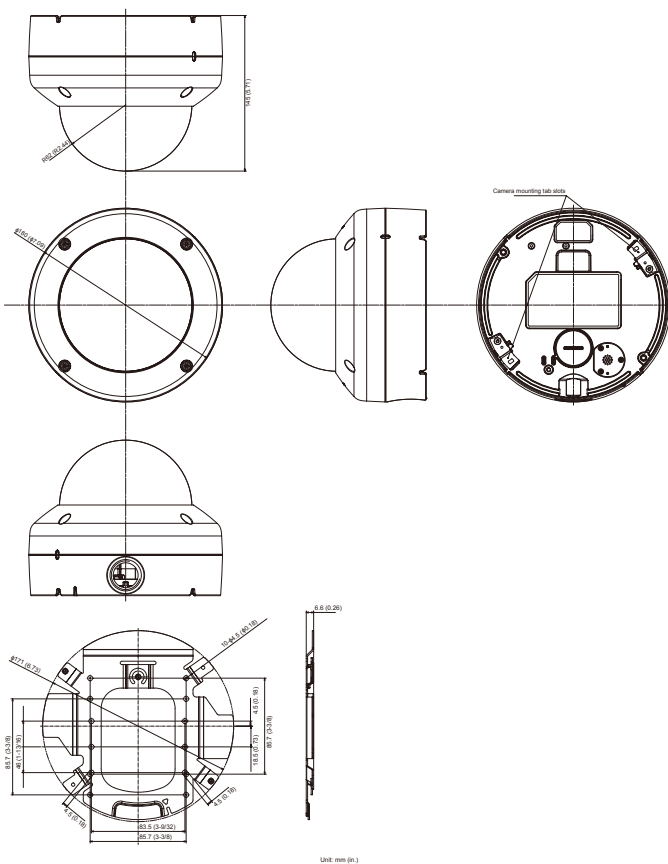
Audio Communication Method	Full-duplex (two-way) - Echo cancellation function compliant RTP, Sound Transfer Protocol by Canon
Audio File Playback	Available (audio files can be played back when an event is triggered by the intelligent function or external device input) - A third-party amplifier speaker is necessary
Analog video output (NTSC)	Available (Only for checking the camera angle)
Privacy Mask	Number of registration: Max. 8 places, Number of mask colours: 1 (select from 9 colours)
Preset	Number of registers: Max. 20 positions (+Home Position) Number of Preset Tour Route: Max. 1
Intelligent Function (Video)	Moving Object Detection, Abandoned Object Detection, Removed Object Detection, Camera Tampering Detection, Passing Detection, and Intrusion Detection Detection Settings: Max. 15 Non-detection Area Settings: Available
Intelligent Function (Audio)	Volume Detection, Scream Detection
Event Trigger Type	External Device Input, Intelligent Function (Video), Intelligent Function (Audio), Timer, Day/Night Switch Number of Linked Events: 2 Linked Event Conditions: OR, AND (whether or not there is a sequence to events)
Image Upload	FTP/HTTP/SMTP (e-mail)
Event Notification	HTTP/SMTP (e-mail)
Log Notification	SMTP (e-mail)
Image Cropping Function	Digital PTZ Cropping sizes: 640 x 360 / 512 x 288 / 384 x 216 / 256 x 144 / 128 x 72 640 x 480 / 512 x 384 / 384 x 288 / 256 x 192 / 128 x 96
On-Screen Display	Available English / Chinese (Simplified) / Japanese
Daylight Saving Time	Available
INTERFACE	
Network Terminal	LAN x 1 (RJ45, 100Base-TX (auto / full-duplex / half-duplex))
Audio Input Terminal (common for LINE IN & MIC IN)	Φ3.5 mm (Φ0.14 in.) mini-jack connector (monaural) LINE IN (connect to an amplifier microphone) or MIC IN (connect to a microphone w/o amplifier) - Switch LINE IN/MIC IN in the setting page.
Audio Output Terminal (LINE OUT)	Φ3.5 mm (Φ0.14 in.) mini-jack connector (monaural) LINE OUT (connect to an amplifier speaker)
External Device I/O Terminal	Input x 2, Output x 2 Analog Video Output x 1
Memory Card	microSD Memory Card, microSDHC Memory Card, microSDXC Memory Card Compatible. Recorded Content: Log, Video (Event, Manual, ONVIF, Timer, Upload) Frame Rate: Max. 1 fps (JPEG) Max. 30 fps (H.264) - To insure reliability in the recording speed, it is recommended to use CLASS 10 rated products. Even when using CLASS 10 products, reliability cannot be guaranteed during heavy access loads (e.g., when recording and deleting data at the same time).
OTHER	
Operating Environment	Temperature When the heater unit (sold separately) is installed Operating Temperature Range: AC, PoE+: -40°C - +55°C (-40°F - +131°F) Start-up Temperature Range: AC, PoE+: -30°C - +55°C (-22°F - +131°F) -Sunshade cover (sold separately) necessary when under direct sun exposure
Installation Method	Ceiling mount / Surface mount
Power Supply	PoE: PoE power supply via LAN connector (IEEE802.3at Type1/Type2 compliant) AC Adapter: PA-V18 (100 - 240 V AC) (sold separately) External power source: 24 V AC/12 V DC
Power Consumption	PoE+: Max. approx. 12.4 W*1 Max. approx. 23.1 W*1*2 PoE: Max. approx. 12.4 W*3 AC Adapter PA-V18: Max. approx. 15.2 W (100 V AC) Max. approx. 15.2 W (240 V AC) DC: Max. approx. 13.8 W AC: Max. approx. 12.7 W Max. approx. 24.1 W*4
Dimensions	(Φ x H) Φ180 x 145 mm (Φ7.09 x 5.71 in.) - Camera only (excluding Ceiling Plate)
Weight	Approx. 1850 g (4.08 lb.)
Impact Resistance	IK10 (20J)
Dust-resistant/Waterproof Specification	IP66
International Standard	EN55032 Class A, FCC part15 subpart B Class A, ICES-003 Class A, VCCI Class A, RCM AS/NZS EN55032 Class A, CNS13438 Class A, KN32 Class A, EN55024, KN35, EN50581, EN62471 IEC/UL/EN 60950-1, IEC/UL/EN 60950-1/-22, EN50130-4, IEC/UL/EN 60529 IP66, IEC/UL/EN 62262 IK10, NEMA 250 Type 4X

VB-H652LVE

Technical Specifications

APPLICATION	
Viewer	Camera Viewer - Supports Video Display Rotation Mobile Camera Viewer
Included Software	Camera Management Tool RM-Lite Recorded Video Utility
Language	German / English / Spanish / French / Italian / Polish / Russian / Thai / Turkish / Chinese (Simplified) / Japanese
Operating System/ Compatible Browser	Windows Vista, Internet Explorer 9 Windows 7, Internet Explorer 11/Chrome 54 Windows 8.1, Internet Explorer 11/Chrome 54 Windows 10, Internet Explorer 11/Microsoft Edge/Chrome 54 Windows Server 2008, Internet Explorer 9 Windows Server 2008 R2, Internet Explorer 11/Chrome 54 Windows Server 2012, Internet Explorer 10/Chrome 54 Windows Server 2012 R2, Internet Explorer 11/Chrome 54 Windows Server 2016, Internet Explorer 11/Chrome 54
Verified Mobile Devices	Surface, iPad, iPhone, Nexus, Galaxy

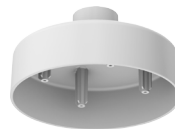
Dimensions



What's in the box?

- VB-H652LVE Main Unit
- Setup CD-ROM
- Ceiling Plate
- Safety Wire
- Safety Wire Fixing Screw
- Wrench
- Template
- Power Connector
- Audio Interface Cable
- Installation Guide
- Warranty Card
- Leaflet of Warranty Card

Compatible Accessories



PC640-VB
Pendant Mounting Kit



SC640-VB
Sunshade Cover



DU640-S-VB
Smoked Dome Unit



HU641-VB
Heater Unit



PA-V18
AC Power Supply
*Available in Euro 2-Pin
& UK 3-Pin plug

VB-H652LVE

Vandal resistance fixed dome with IR ideal for a variety of outdoor environments, climates and lighting conditions.

Full HD, ultra-wide 122.1° field of view, bright f/1.2-1.8 lens, IK10 and IP66 plus built-in infrared LEDs for detailed mono image capture up to 20 m away.

Sales Start Date: August 2016



Product Details:

Product Name	Mercury Code	EAN Code
Network Camera VB-H652LVE	1061C001AB	4549292071559

Optional Accessories:

Product Name	Mercury Code	EAN Code
Heater Unit HU652-VB	1498C001AA	4549292075168
Smoked Dome Unit DU652-S-VB	1497C001AA	4549292075137
Pendant Mounting Kit PC640-VB	0719C001AA	4549292043532
Sunshade Cover SC640-VB	0723C001AA	4549292043570
AC Adapter PA-V18 (E)	8362B002AA	4960999986791
AC Adapter PA-V18 (GB)	8362B003AA	4960999986319

Measurement / Logistic Information:

Product Name	Mercury code	Pack type	Pack description	Quantity per pack	Length (mm)	Width (mm)	Height (mm)	Net Weight (kg)	Gross Weight (kg)
Network Camera VB-H652LVE	1061C001AB	EA	Each	1	248	248	257	1.9	3.3
		CT	Carton	2	277	518	284	3.7	
		EP	Euro Pallet	18				33.3	

What's in the box?

- VB-H652LVE Main Unit
- Setup CD-ROM
- Ceiling Plate
- Safety Wire
- Safety Wire Fixing Screw
- Wrench
- Template
- Power Connector
- Audio Interface Cable
- Installation Guide
- Warranty Card
- Leaflet of Warranty Card