

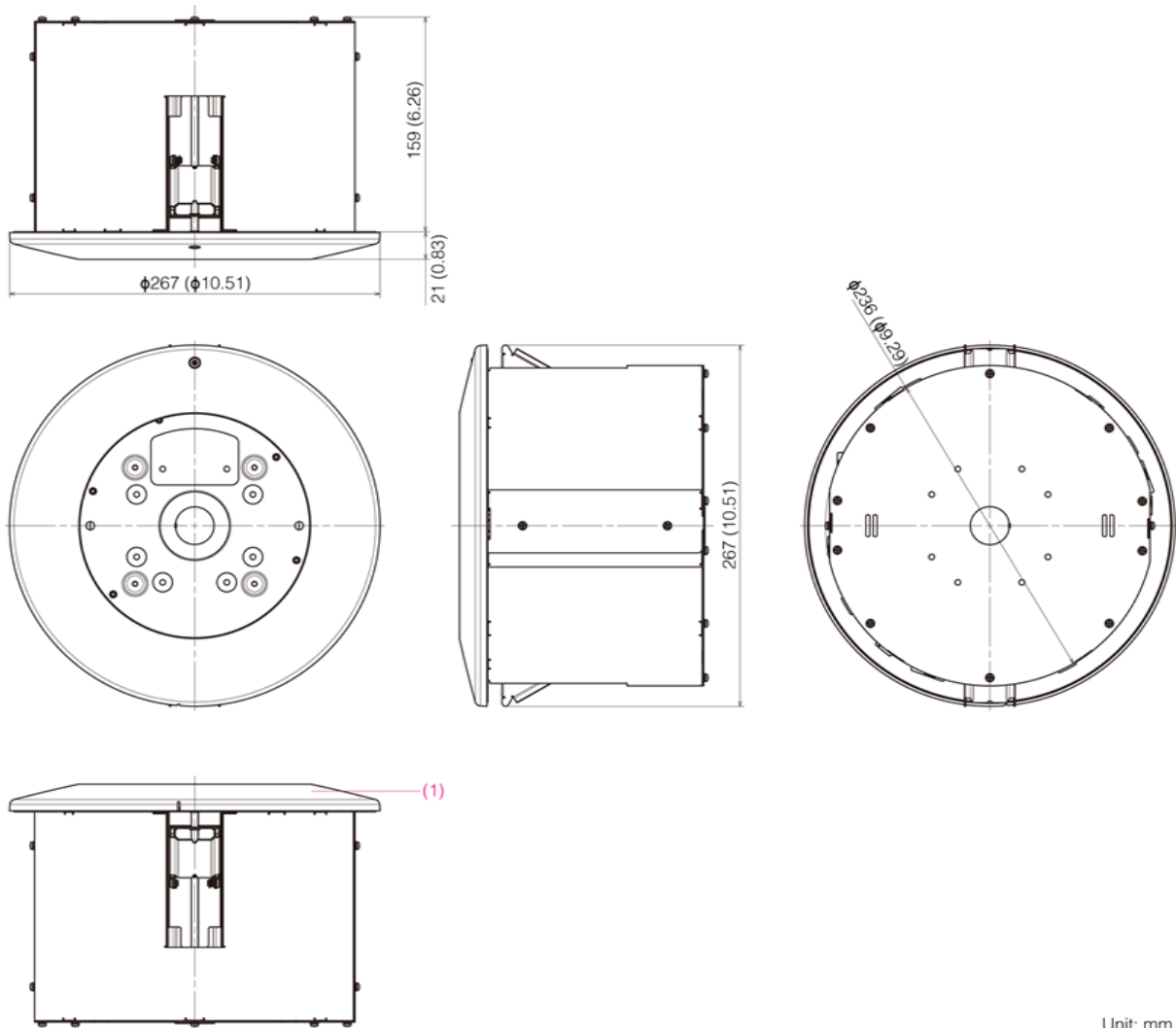
Accessory Specifications

VB-R11

Recessed Ceiling Mounting Kit

(SR11-P-VB)

The exterior size, specifications, external materials, are as follows.



Unit: mm (in.)

Specification

Dimensions	(φ x H) φ267 x 159 mm (φ10.51 x 6.26 in.)	
Weight	Approx. 2400 g (5.30 lb.)	
Operating Environment	Temperature	Same as camera
	Humidity	Same as camera
Storage Environment	Temperature	Same as camera
	Humidity	Same as camera

Exterior Materials

Component Name	Material Abbreviation
(1) COVER	Polycarbonate resin (PC)
External Color	Titanium White (resin color)