

Accessory Specifications

VB-H43 / M42

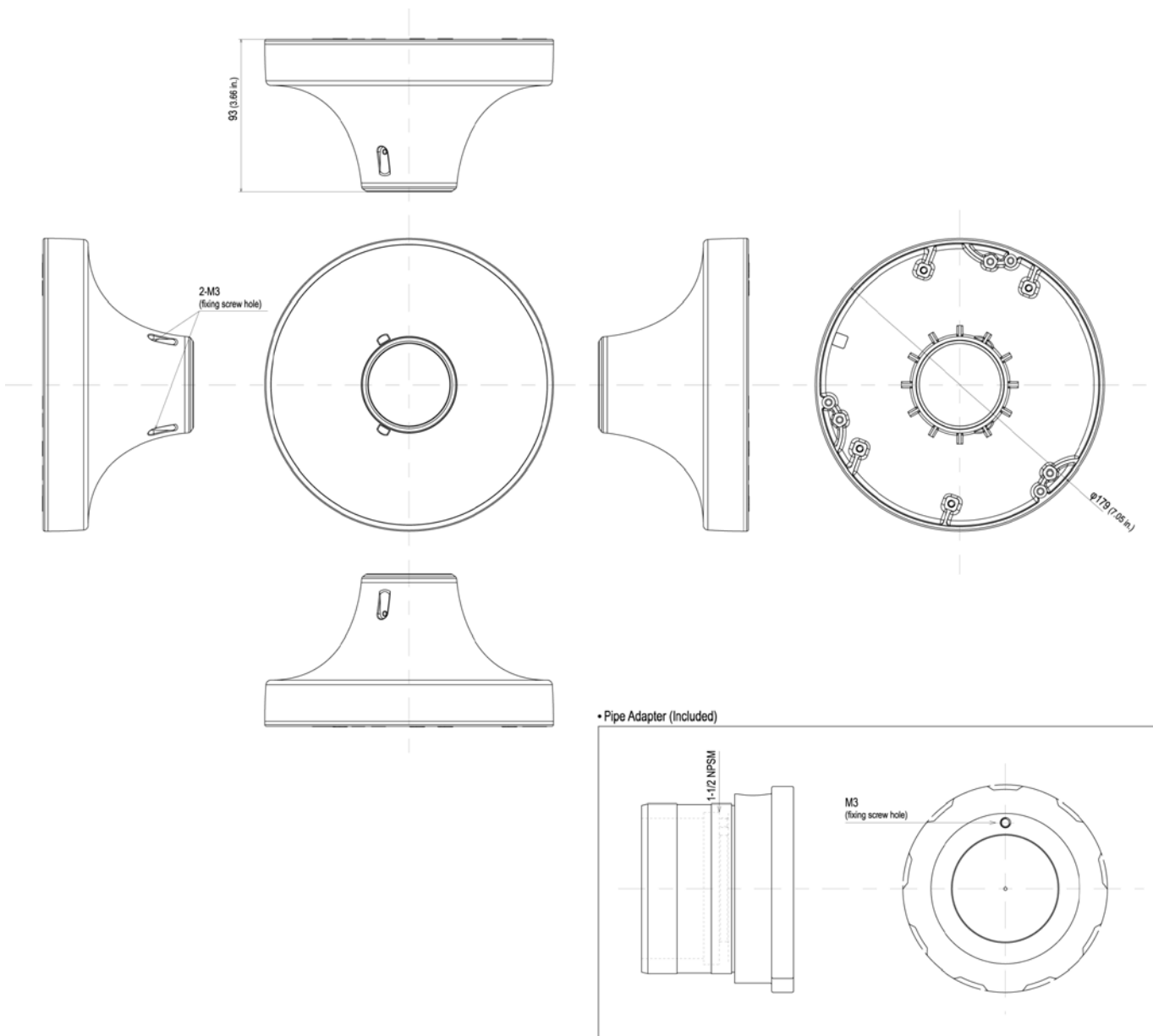
VB-H630VE / H630D

VB-M620VE / M620D

Pendant Mounting Kit

(PC600-VB)

Dedicated accessory for high ceilings requiring the camera to be installed at the end of a drop pipe.



Accessory Specifications

VB-H43 / M42

VB-H630VE / H630D

VB-M620VE / M620D

Pendant Mounting Kit

(PC600-VB)

Specification

Dimensions	(ϕ x H) ϕ 179 x 93 mm (ϕ 7.05 x 3.66 in.)	
Weight	Approx. 570 g (1.26 lb.)	
Operating Environment	Temperature	-10°C – +50°C (+14°F – +122°F)
	Humidity	5% – 85% (without condensation)
Storage Environment	Temperature	Same as camera
	Humidity	Same as camera

Exterior Materials

Component Name	Material Abbreviation
(1) CAP (L)	Die cast aluminum (ADC12)
(2) Pipe Adapter	Die cast aluminum (ADC12)

– Service parts names used for component names