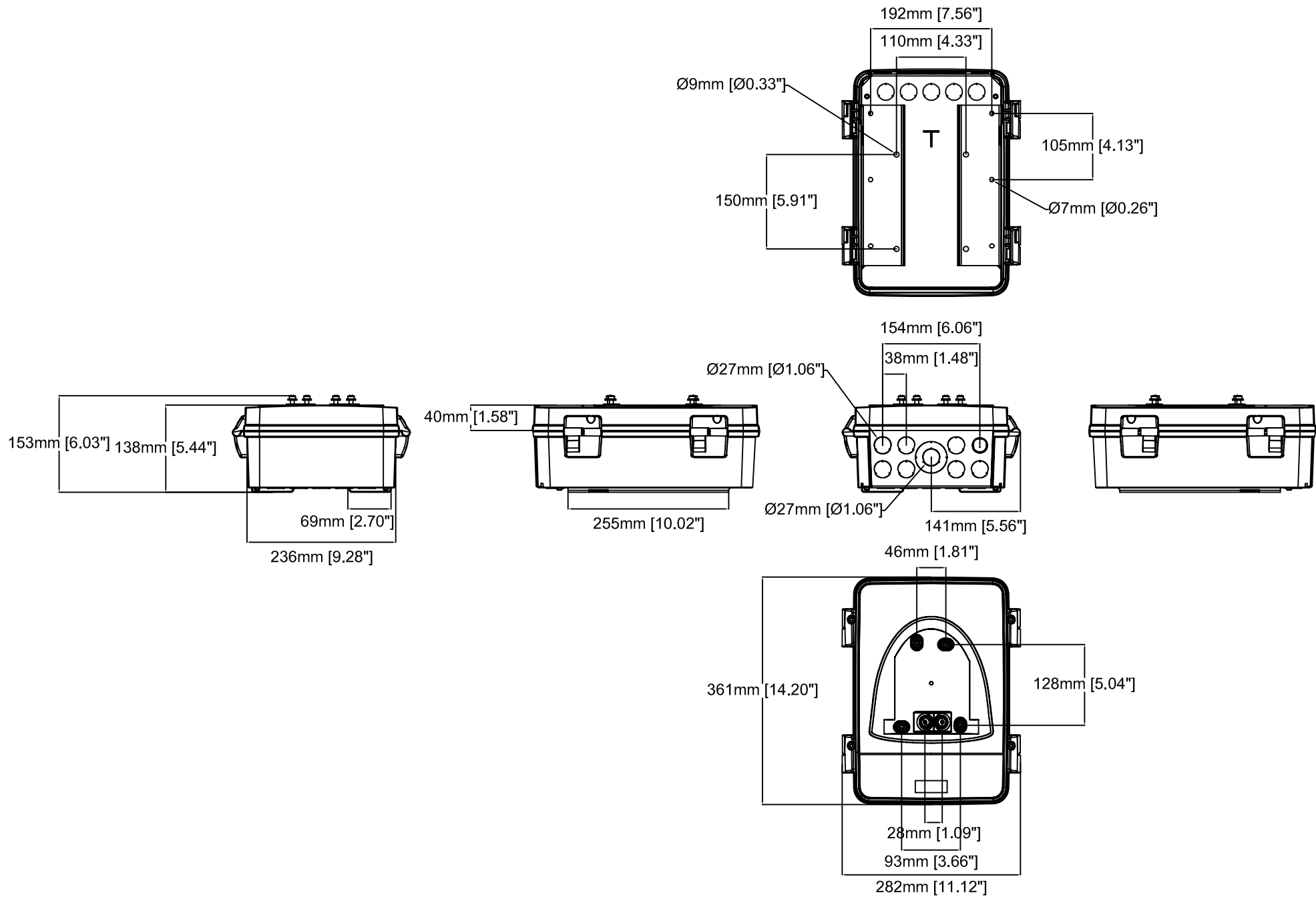


AXIS T98A19-VE Surveillance Cabinet

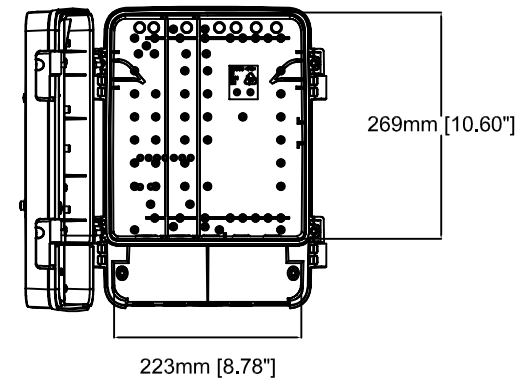
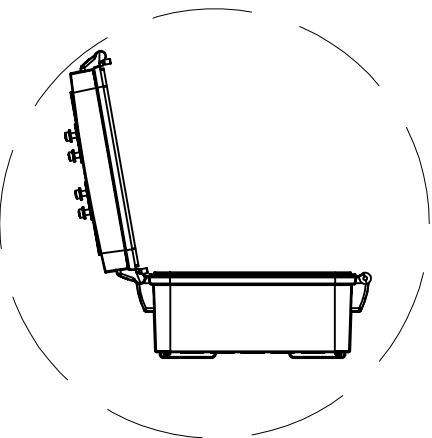
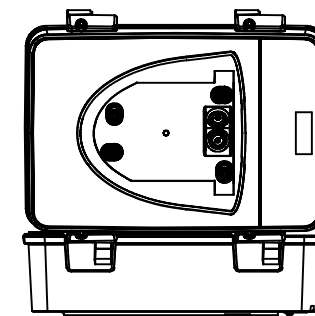
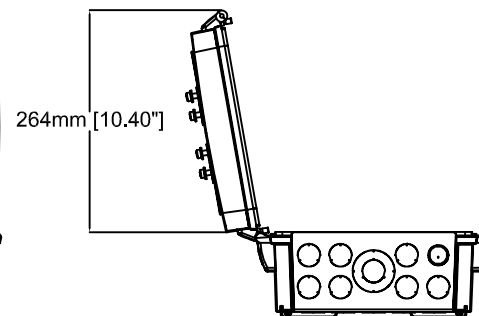
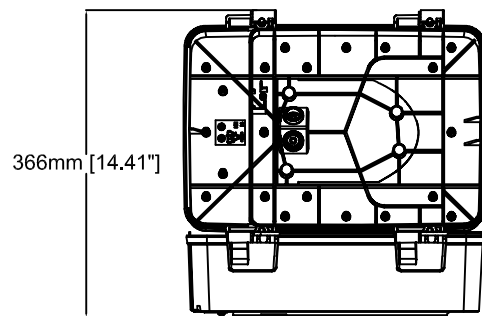
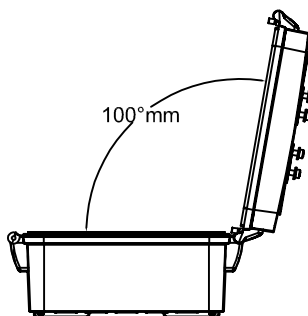
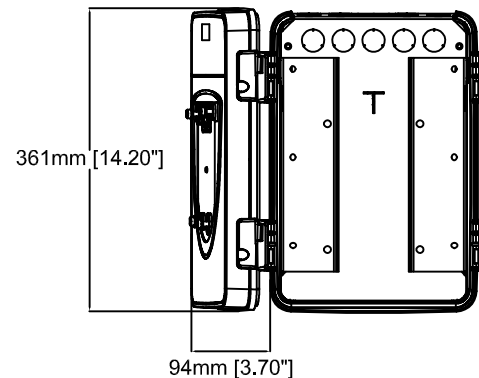
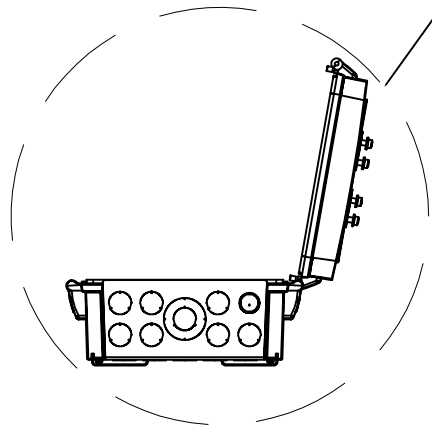
Revision	v.01	Revision date	2017-10-25
Paper size	A4	Release date	2012-06-30
Created by	JOT	Scale	1:5



AXIS T98A19-VE Surveillance Cabinet

Revision	v.01	Revision date	2017-10-25
Paper size	A4	Release date	2012-06-30
Created by	JOT	Scale	1:8

Cabinet Door, T98A09,
can be installed on either side of the cabinet.



AXIS T98A19-VE Surveillance Cabinet

Revision	v.01	Revision date	2017-10-25
Paper size	A4	Release date	2012-06-30
Created by	JOT	Scale	1:9