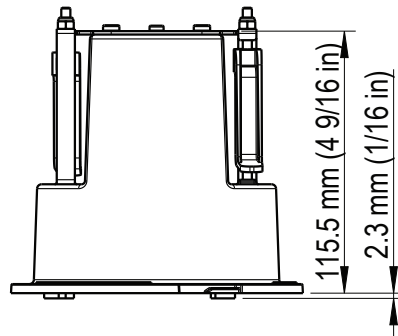
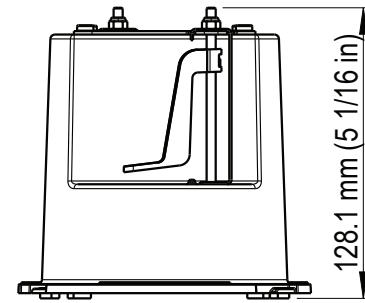


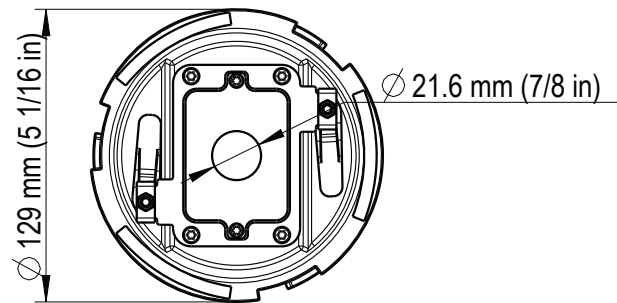
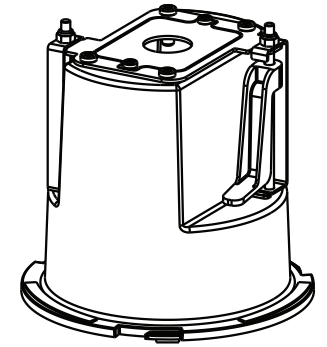
Ø 96.4 mm (3 13/16 in)



115.5 mm (4 9/16 in)
2.3 mm (1/16 in)



128.1 mm (5 1/16 in)



Ø 129 mm (5 1/16 in)

Ø 21.6 mm (7/8 in)

AXIS T94B01L Recessed Mount

08 OCTOBER, 2015 SCALE 1:3