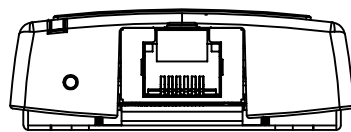
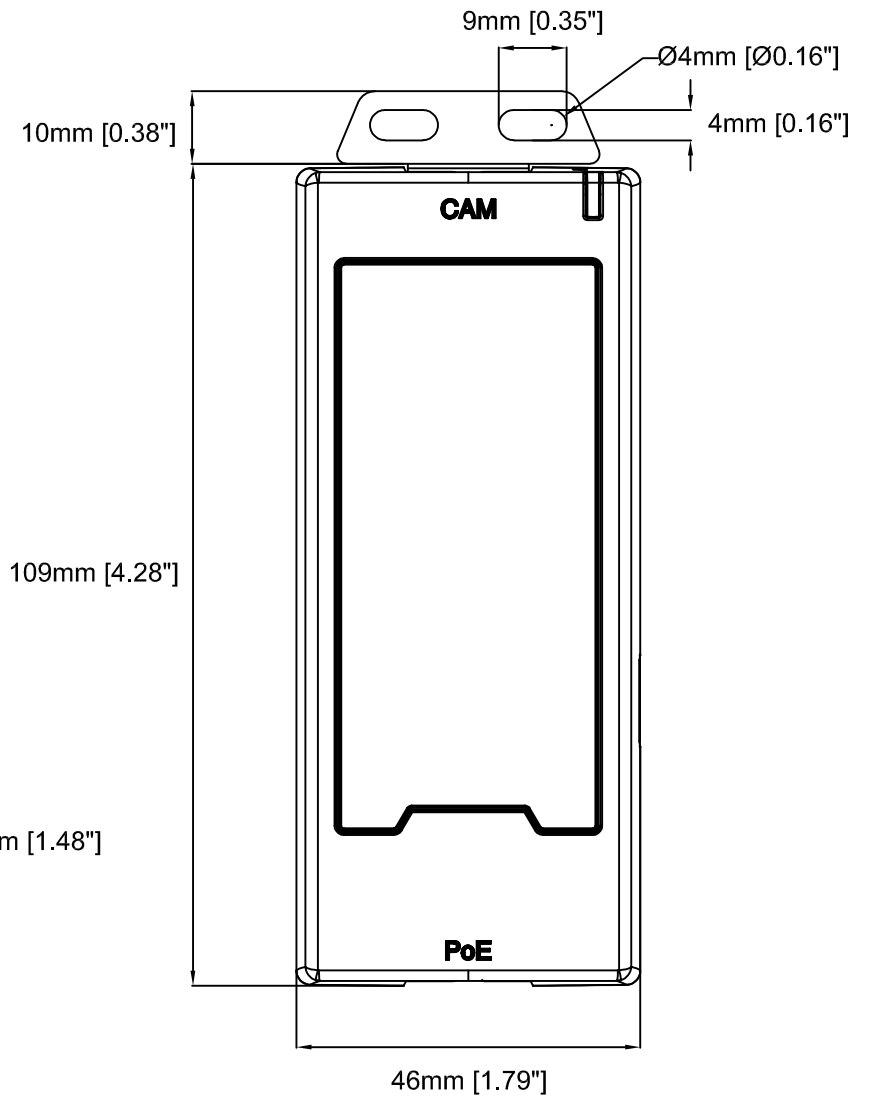
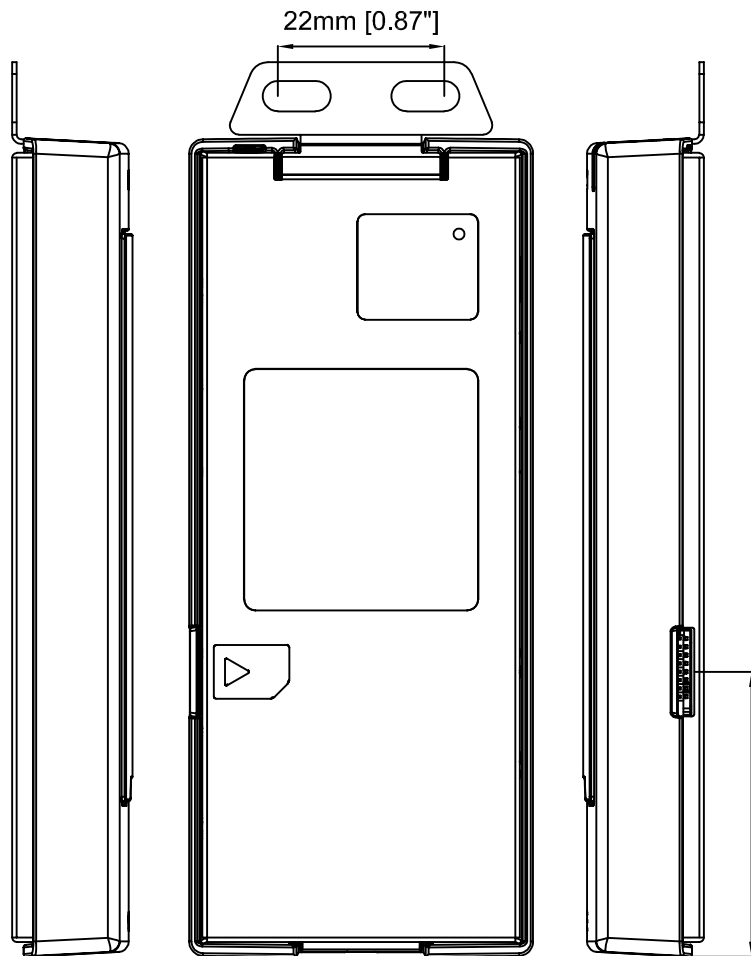
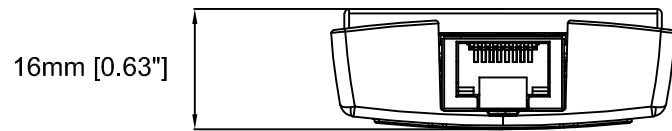
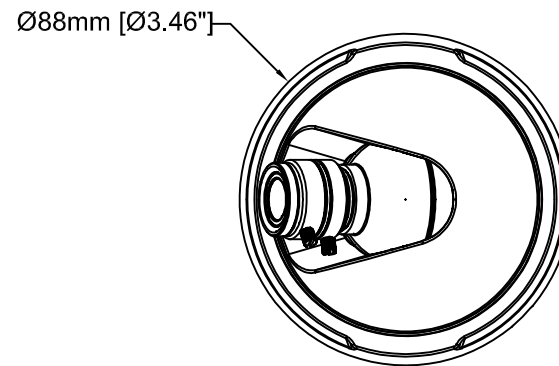
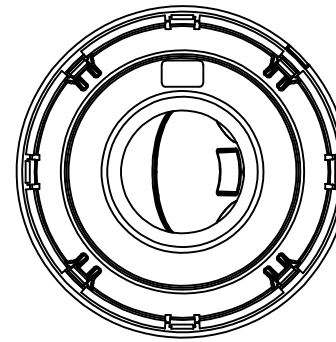
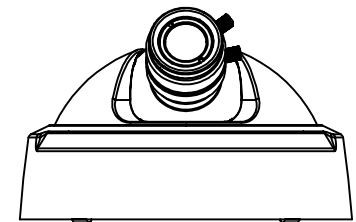
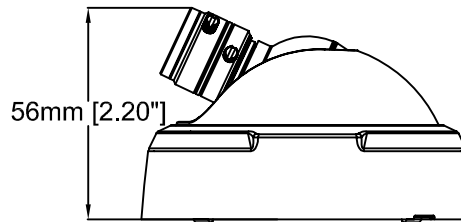
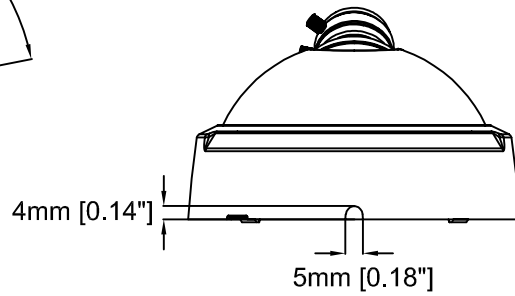
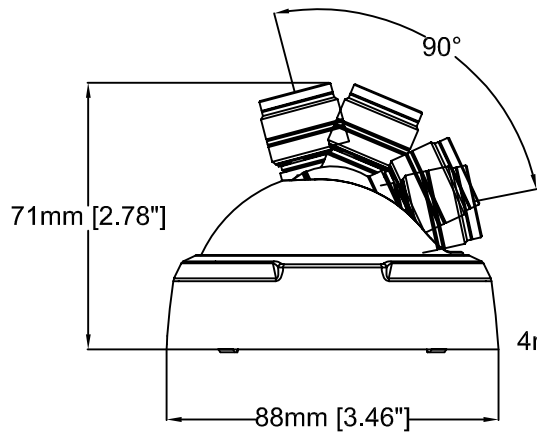


Revision	v.01	Revision date	2017-07-04
Paper size	A4	Release date	2017-07-20
Created by	JOT	Scale	1:1

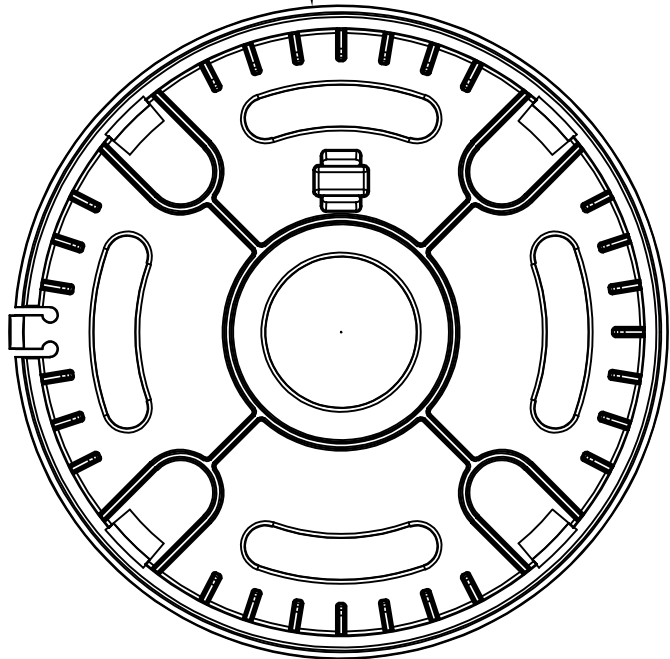


# AXIS P12 MkII Main Unit

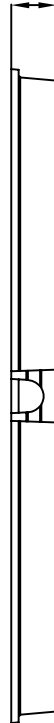
Revision	v.01	Revision date	2017-07-04
Paper size	A4	Release date	2017-07-20
Created by	JOT	Scale	1:1



Ø86mm [Ø3.41"]



6mm [0.24"]



Ø60mm [Ø2.37"]

