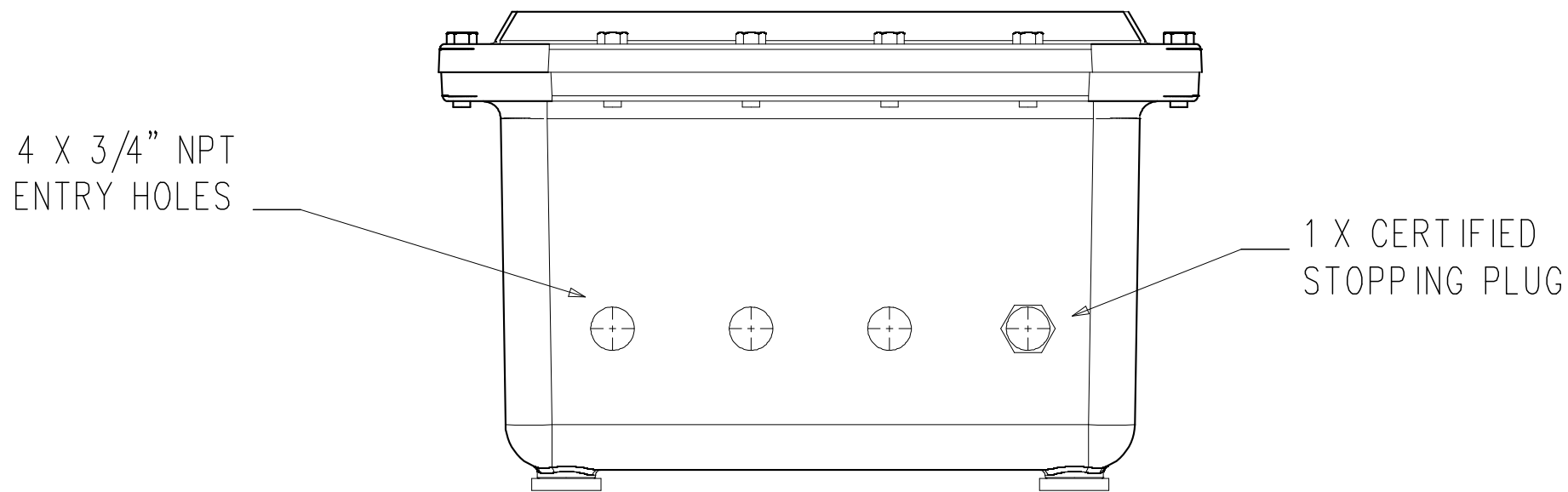


**ECP081208 PS 24 V**  
**30 December, 2016**



**Ex Power Supply UL**  
30 December, 2016

