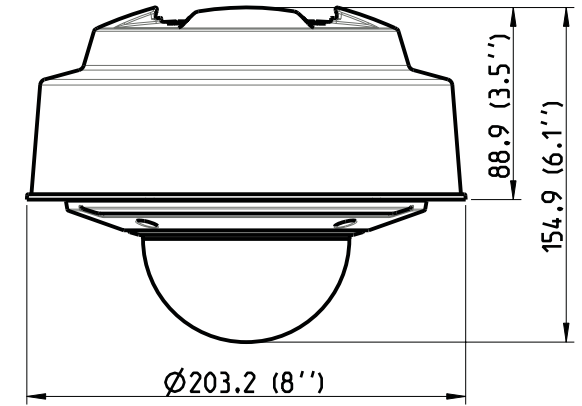
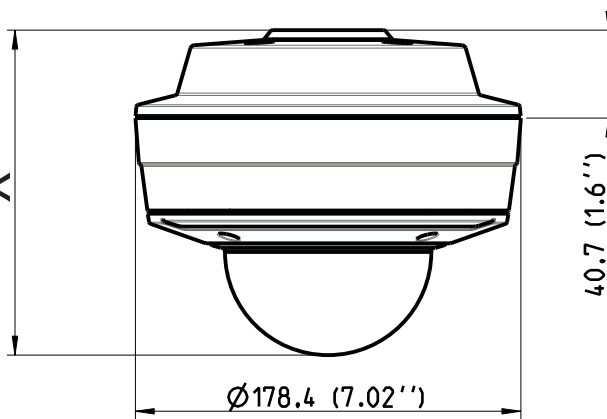
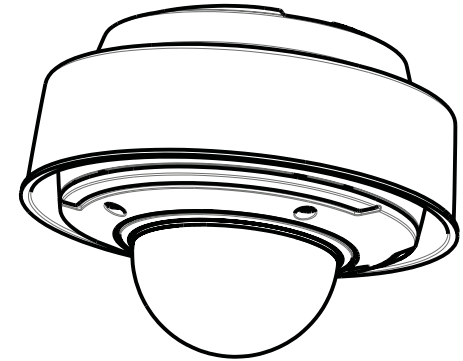
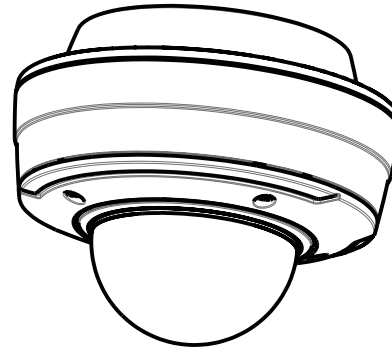
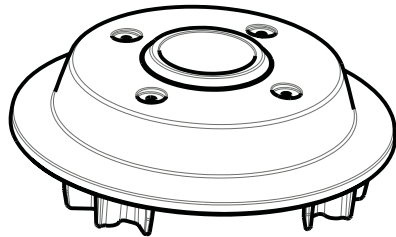
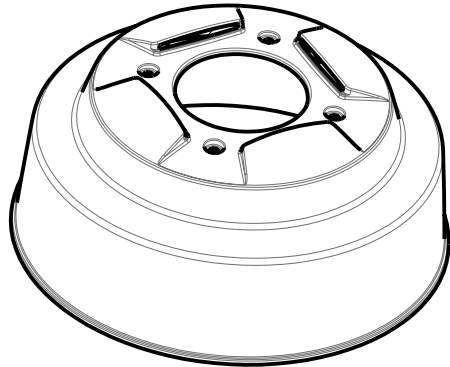
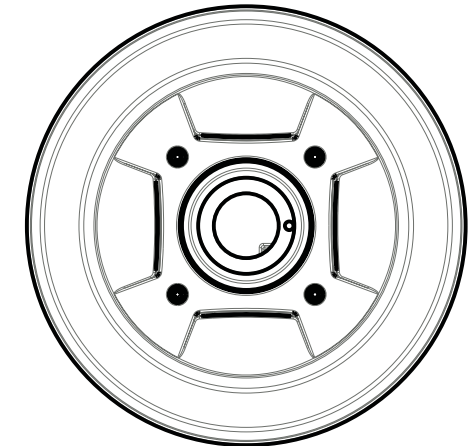
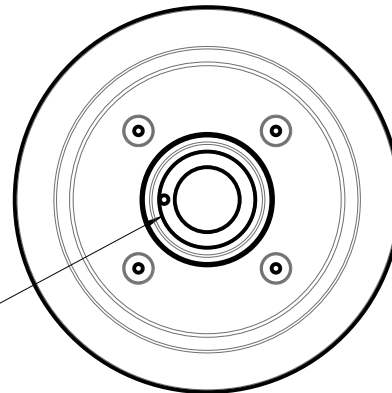


PENDANT ADAPTER WITH WEATHER SHEILD



For use use with:	Measurement X:
AXIS P3343-VE	150 mm (5.9 in)
AXIS P3344-VE	150 mm (5.9 in)
AXIS P3346-VE	157 mm (6.2 in)
AXIS P3363-VE	157 mm (6.2 in)
AXIS P3364-VE	157 mm (6.2 in)
AXIS P3364-LVE	157 mm (6.2 in)
AXIS P3367-VE	157 mm (6.2 in)
AXIS P3384-VE	157 mm (6.2 in)

X



THREAD: 1 1/2 - 11.5 NPSM  
 THREAD DEPTH: 25MM

# AXIS P33-VE Pendant Kit - Accessories

29 APRIL, 2014

