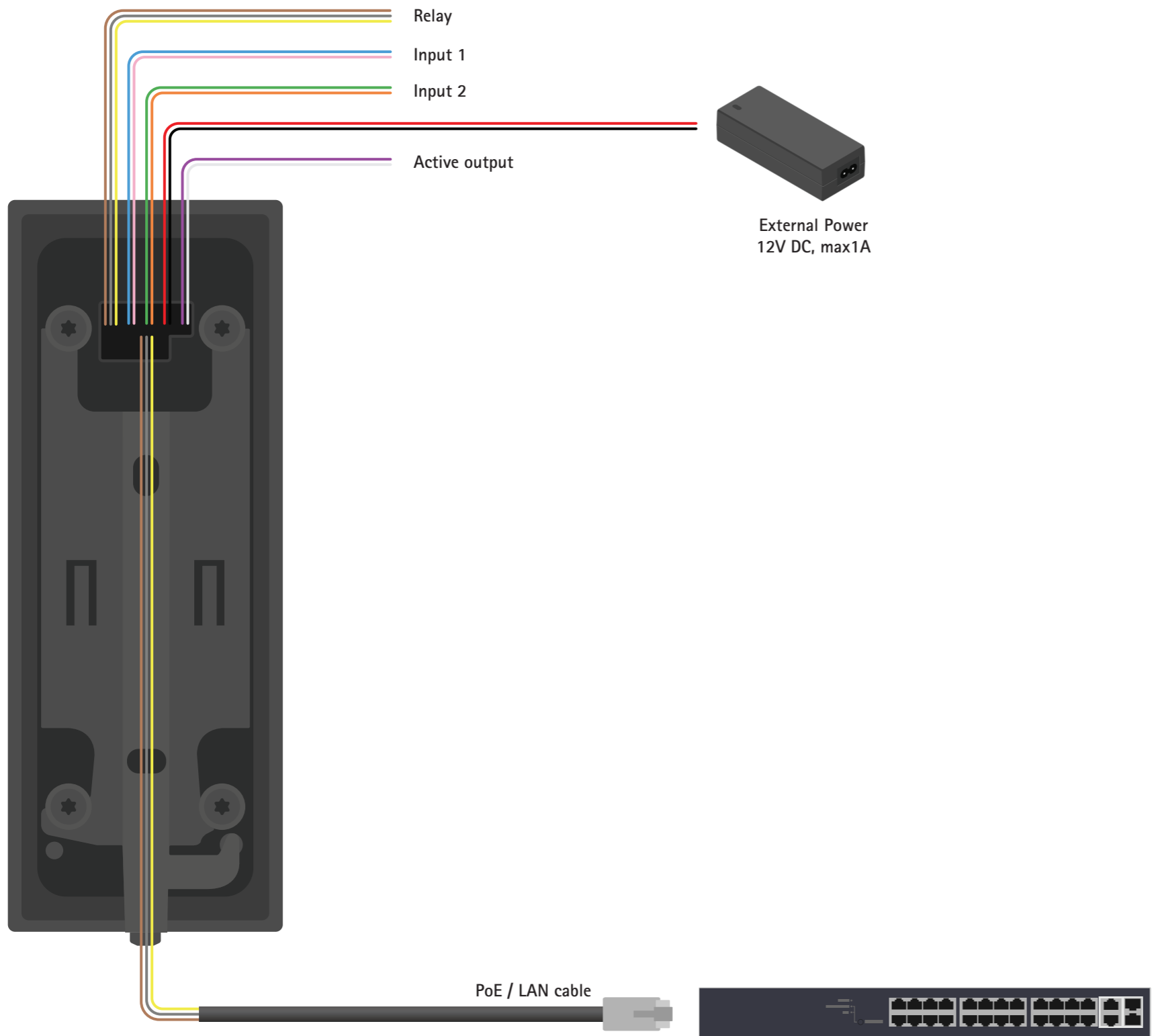


AXIS A4612



Power input



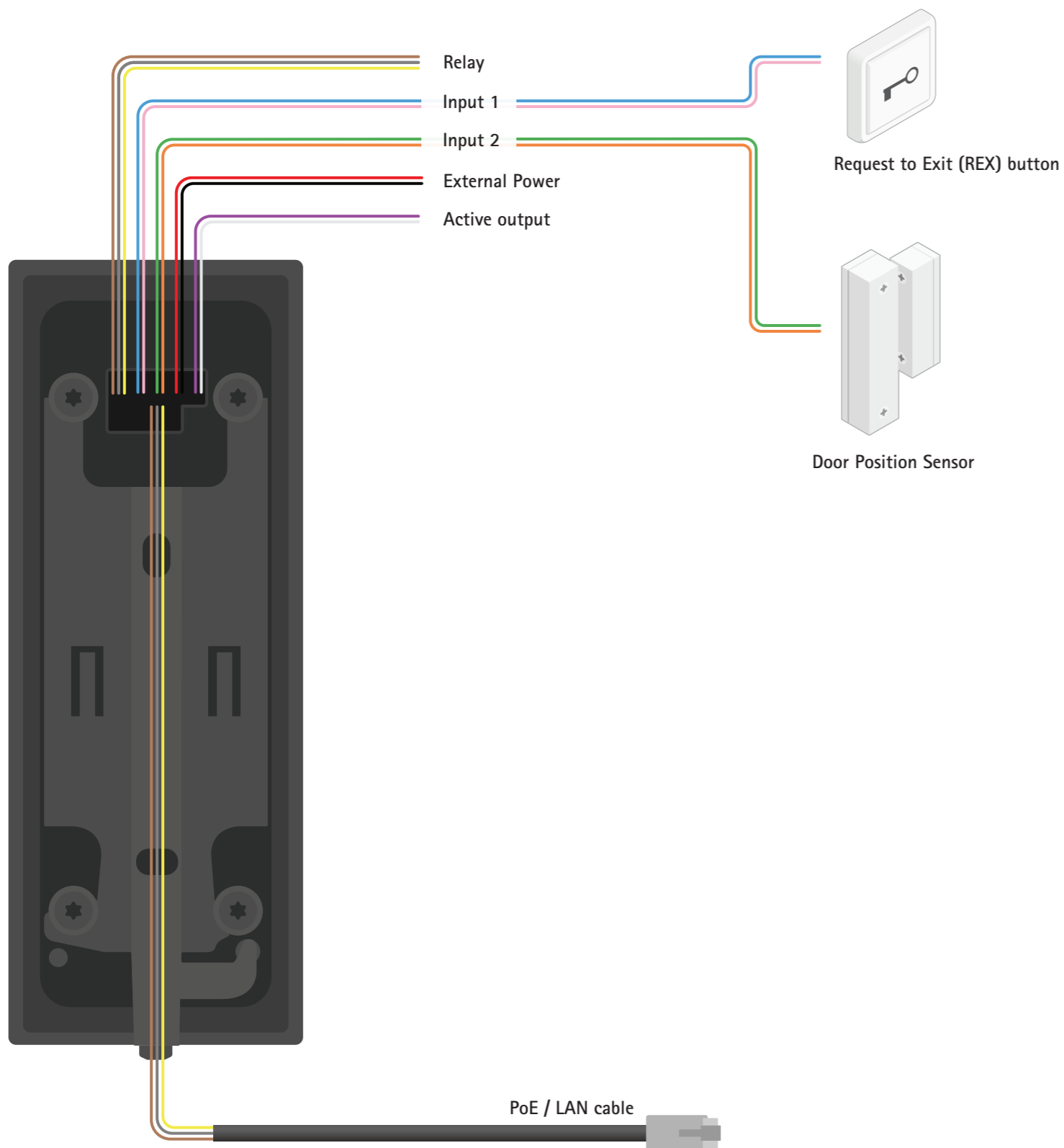
Application

Power the device with PoE or External power supply

Requirements

- > Power requirement:
 - > 12V DC, max 1A
 - > PoE: IEEE 802.3af Type1 Class 3
 - > Reader needs to be added in the door controller, check the controller user manual for more information

Door input



Application

Door inputs connected to the input of the reader

Add door position sensor

Connected to

INPUT 1

INPUT 2

Door open if

Circuit is open

Circuit is closed

Debounce time (ms)

0

Supervised input Off

Parallel-first connection

22k Ω parallel resistor and a 4.7k Ω serial resistor

Serial first connection

1k Ω

2.2k Ω

4.7k Ω

10k Ω

Add REX device

Connected to

INPUT 1

INPUT 2

Action

Unlock door

None

REX active

Circuit is open

Circuit is closed

Debounce time (ms)

0

Supervised input Off

Parallel-first connection

22k Ω parallel resistor and a 4.7k Ω serial resistor

Serial first connection

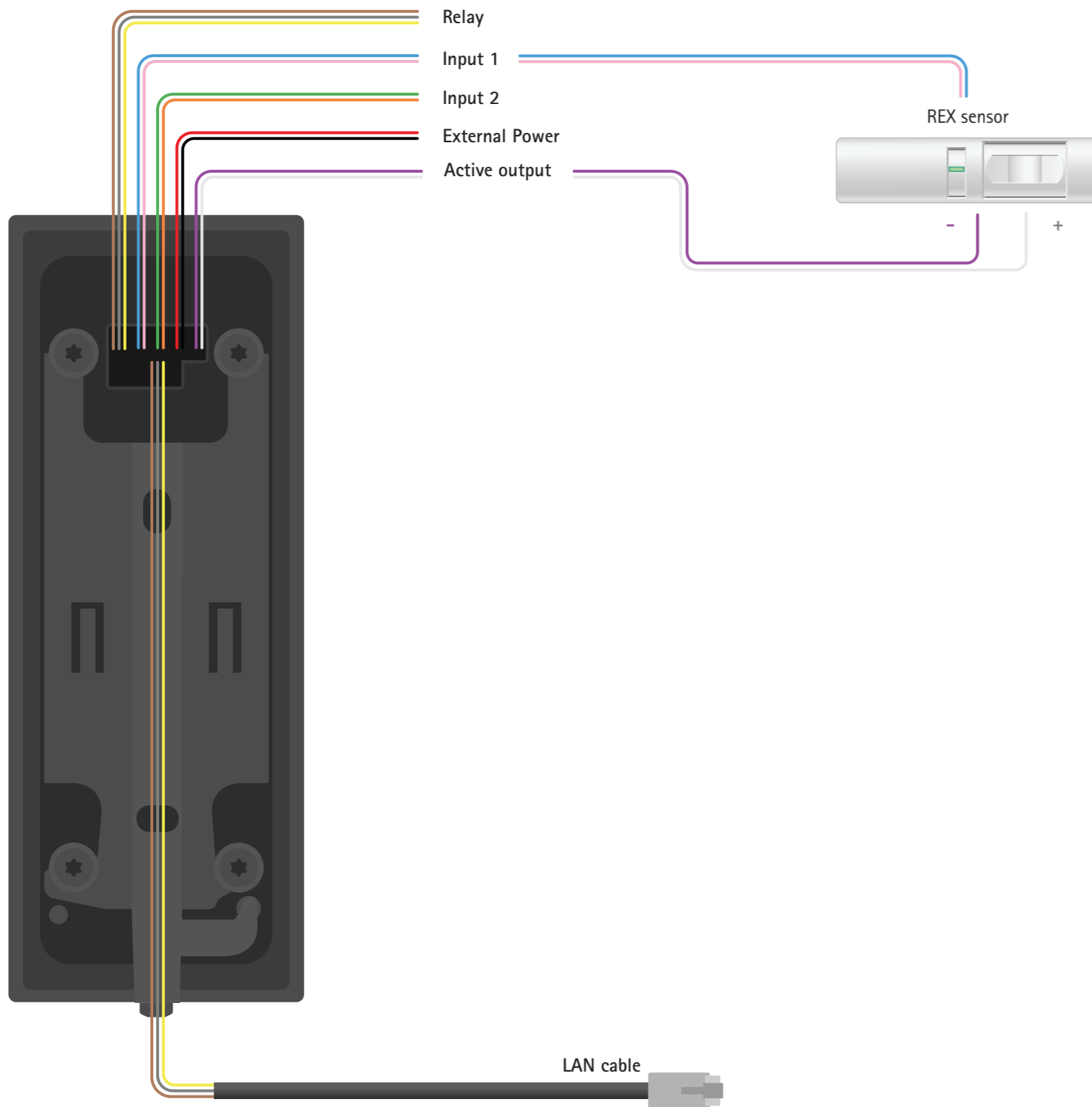
1k Ω

2.2k Ω

4.7k Ω

10k Ω

REX sensor



Application

REX sensor powered through the active output and connected to the input

Requirements

Active output: 8 to 12V DC, max 600mA

Configuration of REX in ACS

Overview Door settings ⓘ

Device	IP adress	Type	Security levels	Unlock schedules
AXIS A1601	172.25.11.55	Door	-	-

Name

door 1

Primary lock **Secondary lock**

A4612: Active output Not connected

Identification profile

Tap in app

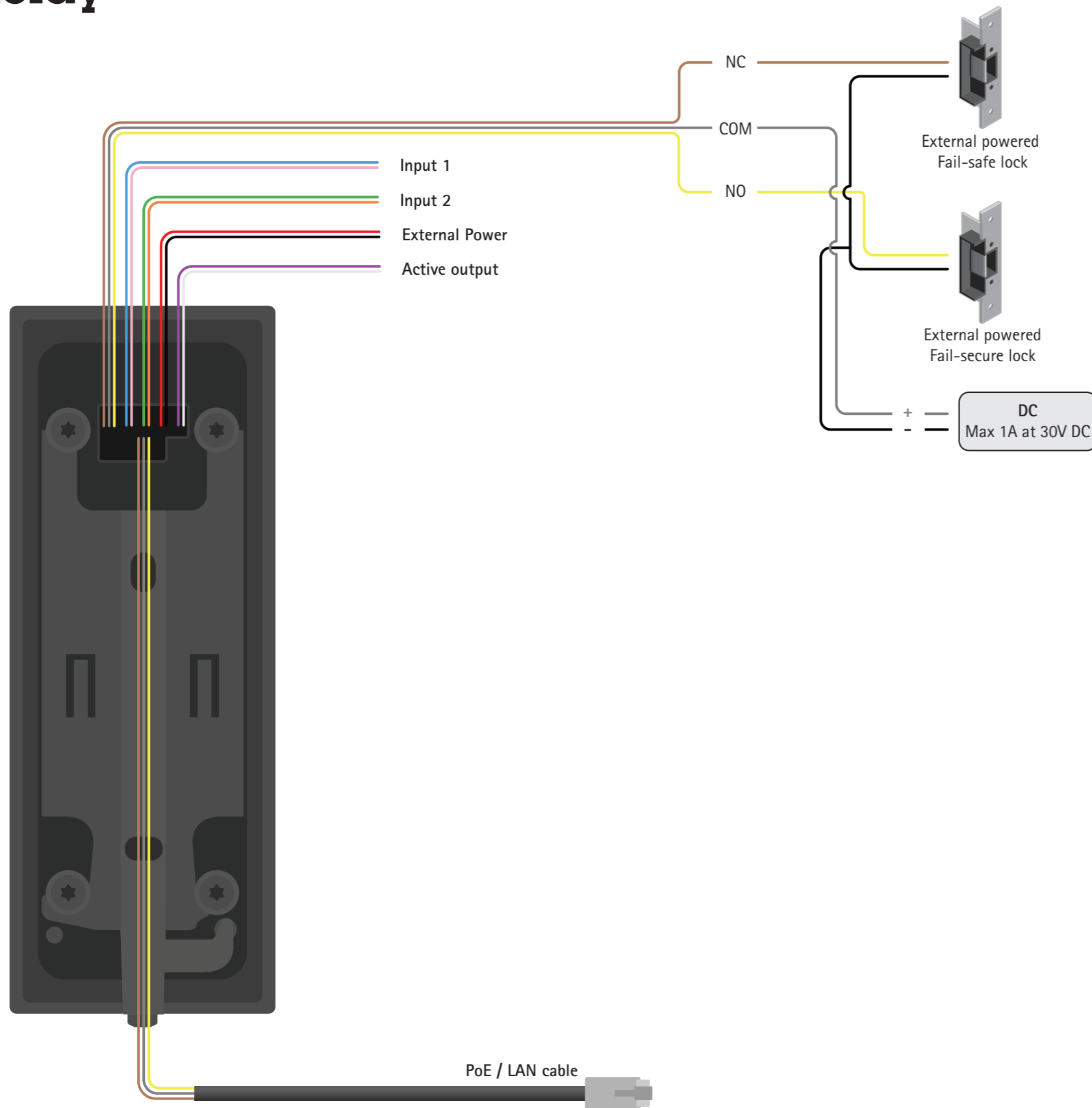
I/O

Active output

Logical state Output state

Mode

Relay



Requirements

The lock connected to the device relay need to be externally powered

Relay specifications

Relay: 1 x relay NO/NC, max1A 30V DC

Configuration of locks in ACS

Overview Door settings ⓘ

Device	IP adress	Type	Security levels	Unlock schedules
AXIS A1601	172.25.11.55	Door	-	-

Name

door 1

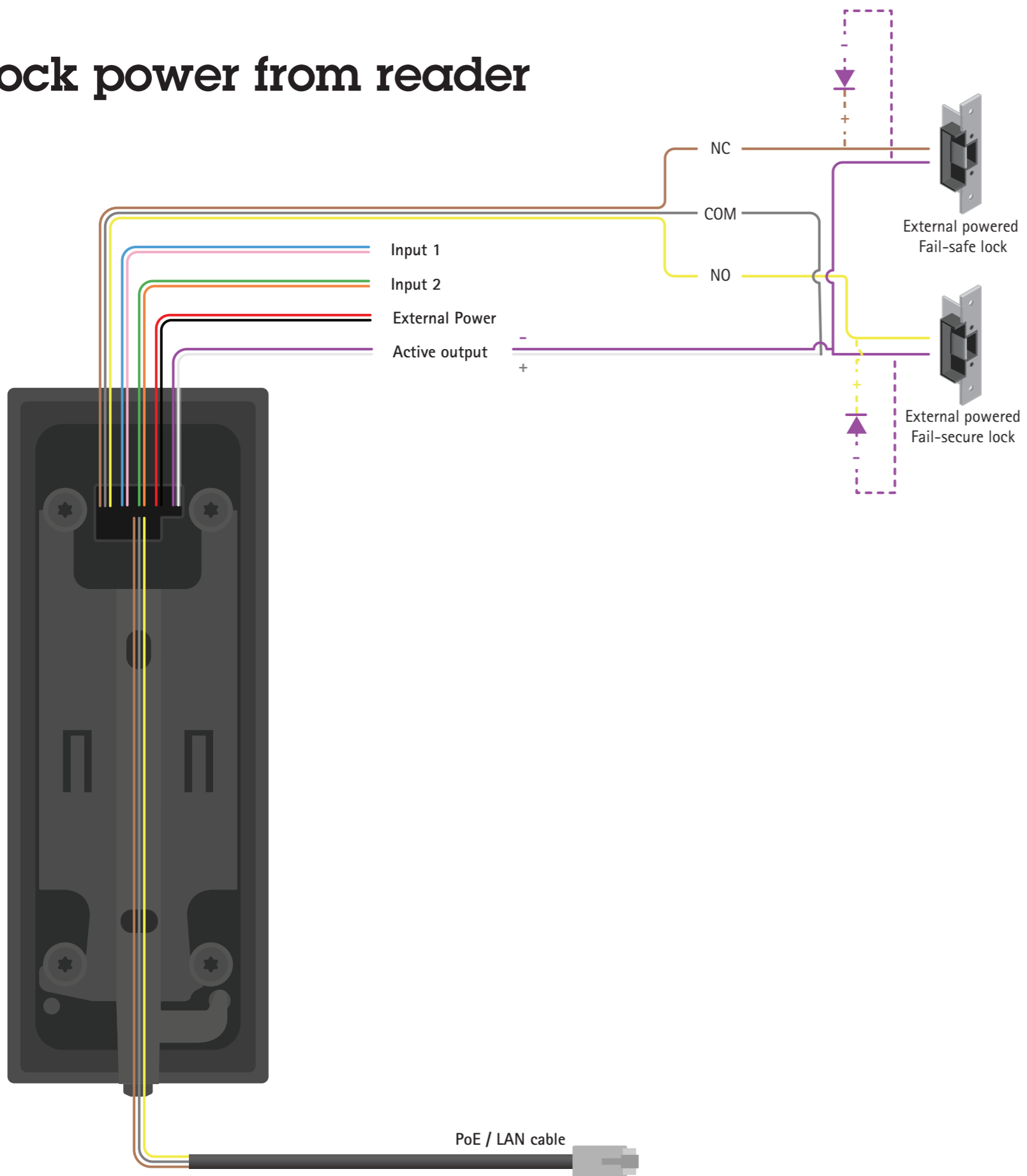
Primary lock **Secondary lock**

A4612: RELAY

Identification profile

Tap in app

Lock power from reader



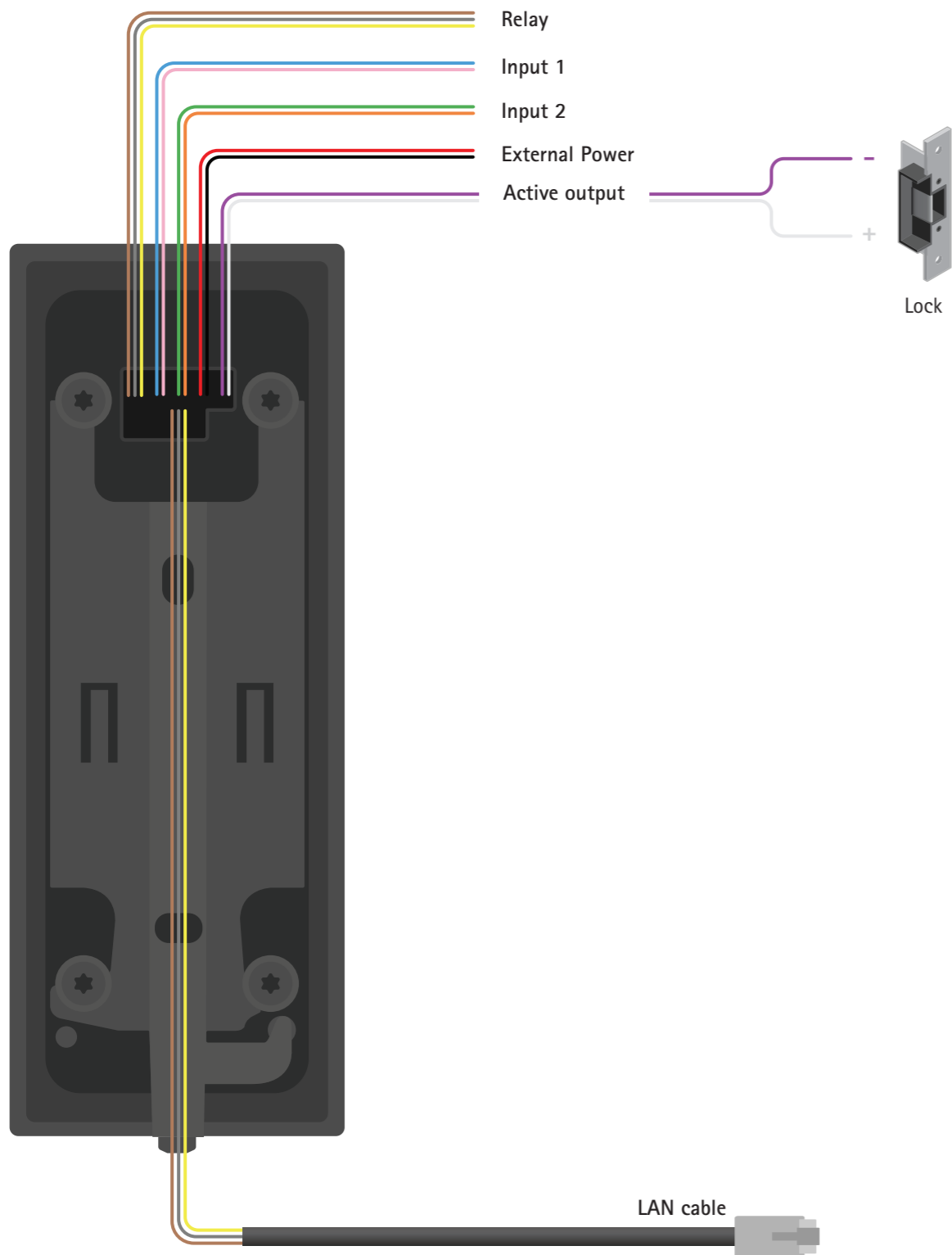
Application

Powering the lock using the active output

Requirements

Active output: 8 to 12V DC, max 600mA

Active output



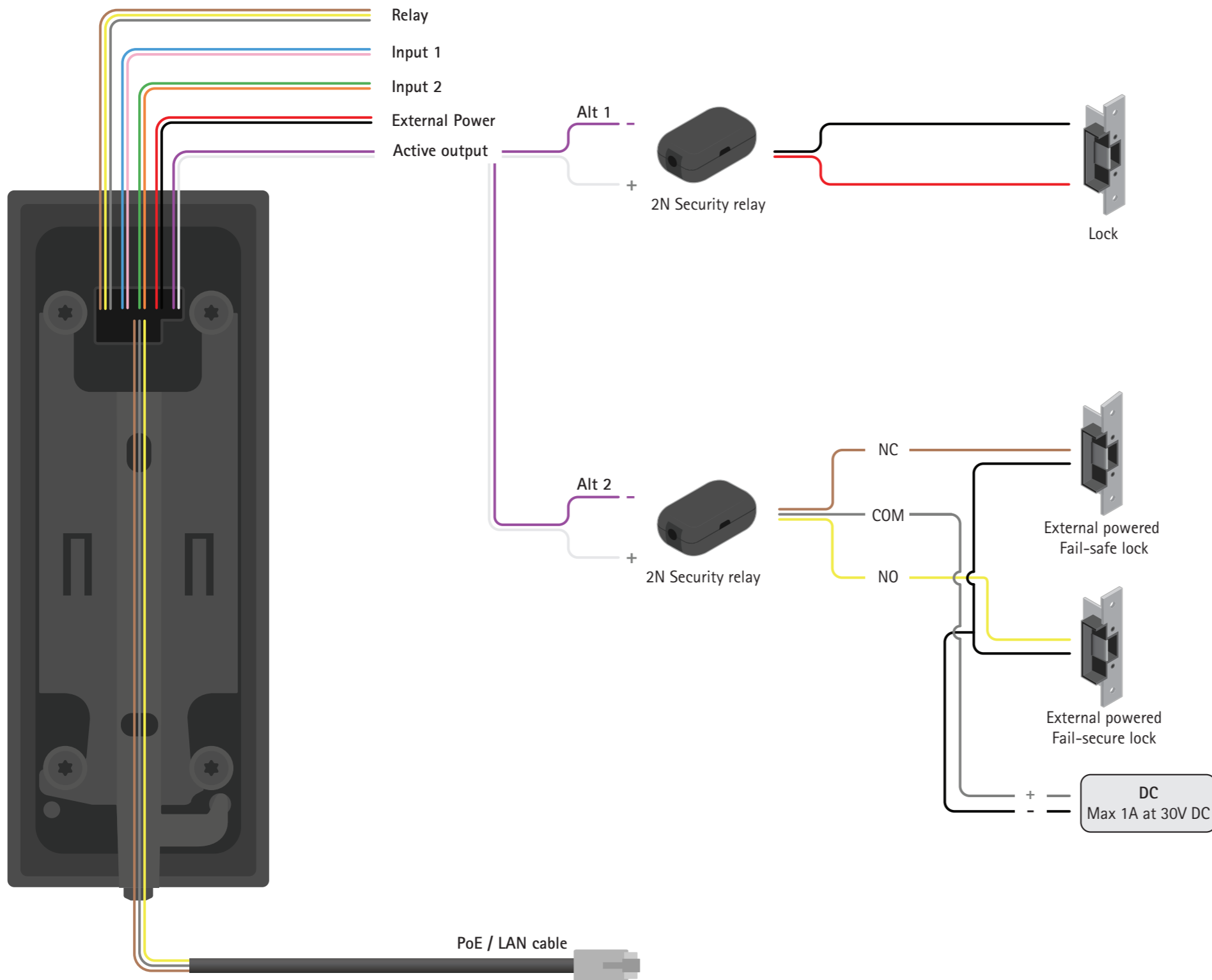
Application

Lock connected to the active output

Requirements

Active output: 8 to 12V DC, max 600mA

Security relay



Application

Lock connected to the security relay

Requirements

Additional security relay required. We recommend 2N security relay
 Change mode from »Normal« to »Security« on A4612 device page
 Minimum firmware requirement V2.48

Configuration of locks in ACS

Overview Door settings ⓘ

Device	IP address	Type	Security levels	Unlock schedules
AXIS A1601	172.25.11.55	Door	-	-

Name

Primary lock

Secondary lock

Identification profile

I/O

Active output

Logical state Output state

Mode

