



Plenum Mounting Kit SR30-P-VB Installation Guide

Be sure to read the "Safety Precautions" section for correct use. After reading this Installation Guide, keep it in a readily accessible location for future reference.

In addition to this "Installation Guide", please also read the "Installation Guide" included with the camera.

Caution Request a professional installer for all installation work. Never try to install the camera yourself. Doing so may result in unforeseen accidents such as dropping the camera or electric shock.

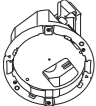

Symbols Indicating Camera Model

Camera specific functions will be listed using the icons below.

S30 : VB-S30D/VB-S30D Mk II **S31** : VB-S31D/VB-S31D Mk II



S80x : VB-S800D/VB-S805D/VB-S800D Mk II/VB-S805D Mk II

Check Included Items

- Plenum Mounting Unit 
- Recessed Mounting Cover 
- Sticker
- Screws (M4) x 3
- Template
- Installation Guide (This document)

Symbols Indicating Safety Precautions

This Installation Guide uses the following symbols to indicate important information the user should know in order to use the product safely. Explanations are provided for each symbol so that users will understand the level of importance for each. Be sure to observe these items.

 Warning	Failure to follow the instructions accompanied by this symbol may result in death or serious injury.
 Caution	Failure to follow the instructions accompanied by this symbol may result in injury.
Caution	Failure to follow the instructions accompanied by this symbol may result in property damage.

Safety Precautions

Installation Precautions

Warning

Do not install in the following places:

- Places in direct sunlight, near heat-generating objects, or subject to high temperatures
- Places near fire sources or flammable solvents (alcohol, thinner, fuel, etc.)
- Humid or dusty places
- Places subject to oily smoke or steam
- Places subject to sea air
- Confined or enclosed places

Failure to do so may result in fire or electric shock.

Precautions for the LAN (power) cable:

- Do not set any heavy objects on the LAN cable.
- Do not pull, forcibly bend, scratch, or modify the LAN cable.

Failure to do so may result in fire or electric shock.

Caution

For installation or inspection of this camera, consult the dealer where you purchased the product.

- This installation should be made by a qualified service person and should conform to all local codes.
- When installing, make sure the surface is capable of withstanding the total weight of the camera and accessories, and sufficiently reinforce if necessary.
- Be sure to use installation screws designed for the type of surface the camera is to be installed.
- Periodically check the parts and screws for rust and loosening, in order to prevent injuries and equipment damage due to falling items.

- Do not install in unstable places, places subject to significant vibration or impact, or places subject to salt damage or corrosive gas.
 - Be sure to attach the safety wire when installing the camera.
 - Use only with compatible cameras.
 - If a ceiling plate thickness is not between 10.0 and 50.0 mm, do not use it.
- Failure to do so may result in the camera falling or other accidents.

- Do not touch the edges of metal parts with bare hands.
 - Be careful not to get your fingers caught when installing.
- Failure to do so may result in injuries.

Caution

- **S30 S31** Do not turn the camera rotator by hand.
- **S30 S31** Do not install on an unstable surface. Also, make sure the camera is installed $\pm 5^\circ$ or less horizontal.
- After turning off the power, do not turn the power on again for at least five seconds.
- Take measures to remove static electricity before performing any procedures.
- If there is condensation, please wait to power on, until the condensation dissipates.

Failure to do so may result in malfunctions.

- Take care not to damage wiring or pipes.
- Failure to do so may result in damage to peripheral items.

Important

We recommend the installation of a lightning arrester (a surge protection device) as a measure against failures caused by lightning strikes. Please refer to our website for details.

Precautions for Use

Warning

- If you discover defective conditions such as smoke, strange sounds, heat or strange odors, immediately stop using the camera and contact your nearest dealer.
- Fire or electric shock may result from continued use of the product.

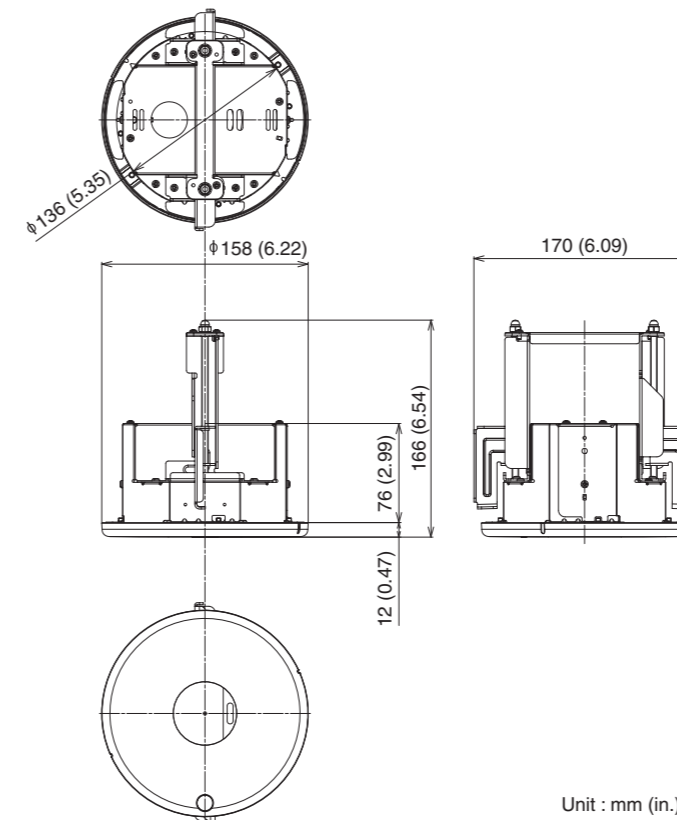
- If thunder starts, stop installation or inspection etc. and do not touch the camera or continue connecting the cable.
 - Do not disassemble or modify the camera.
 - Do not damage the connecting cable.
 - Do not spray the camera with water, or otherwise make it wet.
 - Do not insert foreign objects such as water or metal into the camera.
 - Do not use flammable sprays near the camera.
 - Do not leave LAN cables connected when the camera is not in use for long periods.
 - Do not use flammable solvents such as alcohol, paint thinner or benzene when cleaning the camera.
- Failure to do so may result in fire or electric shock.

Main Specifications

Model	SR30-P-VB
Weight	Approx. 900 g (1.99 lb.) (Plenum Mounting Unit, Recessed Mounting Cover)

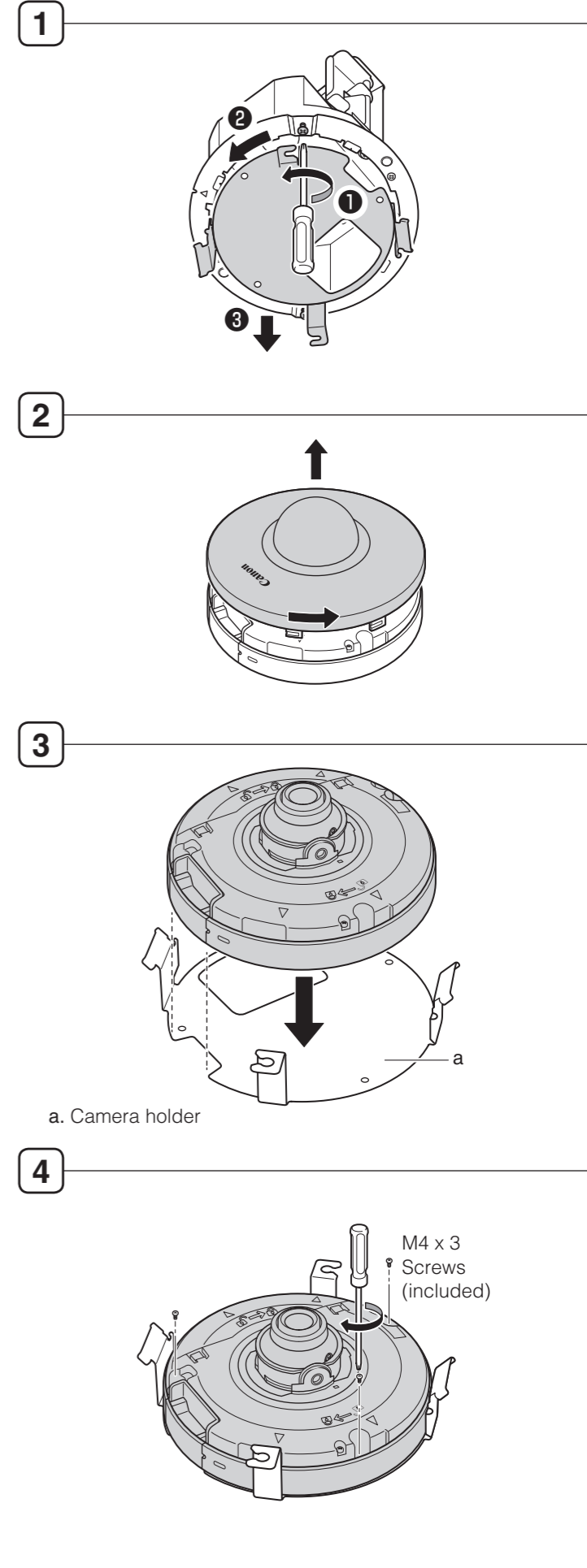
TORX is the trademark of Acument Intellectual Properties, LLC. The contents of this guide are subject to change without any prior notice.

External Dimensions

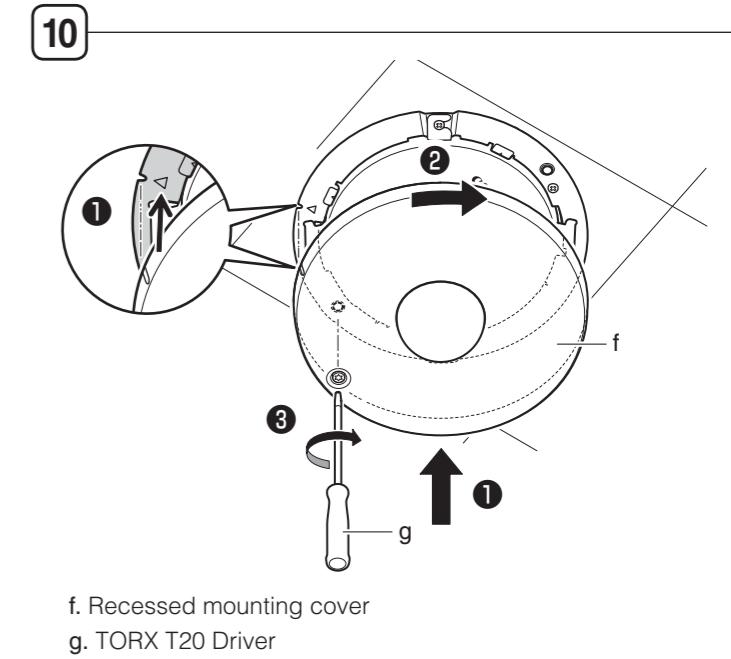
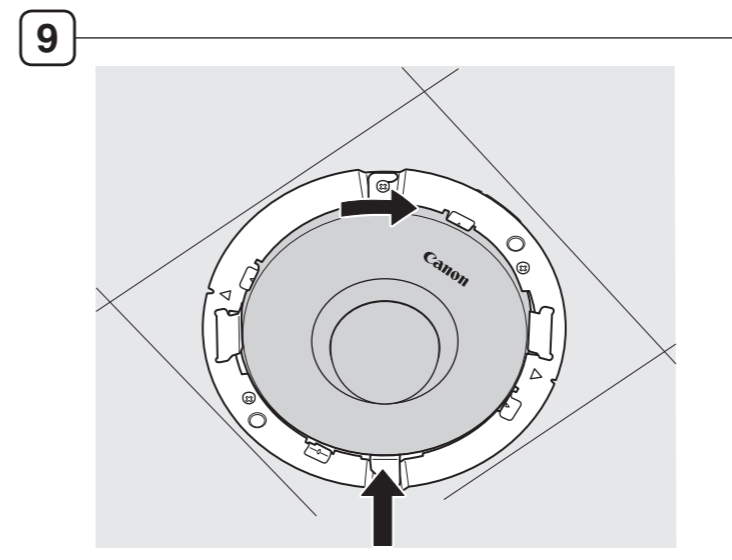
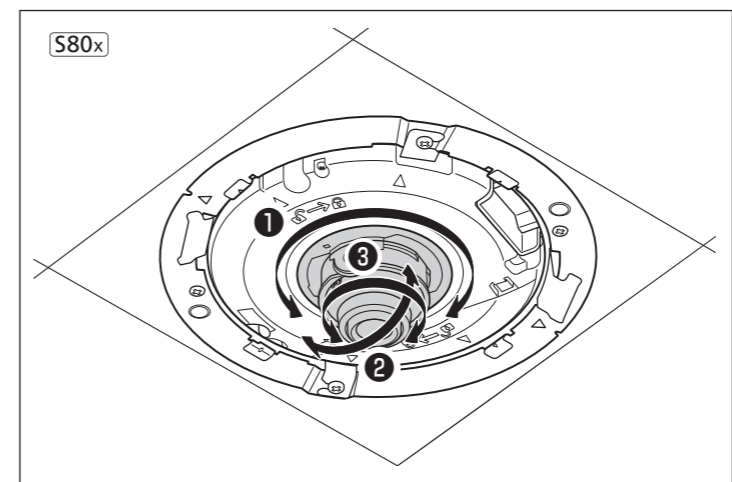
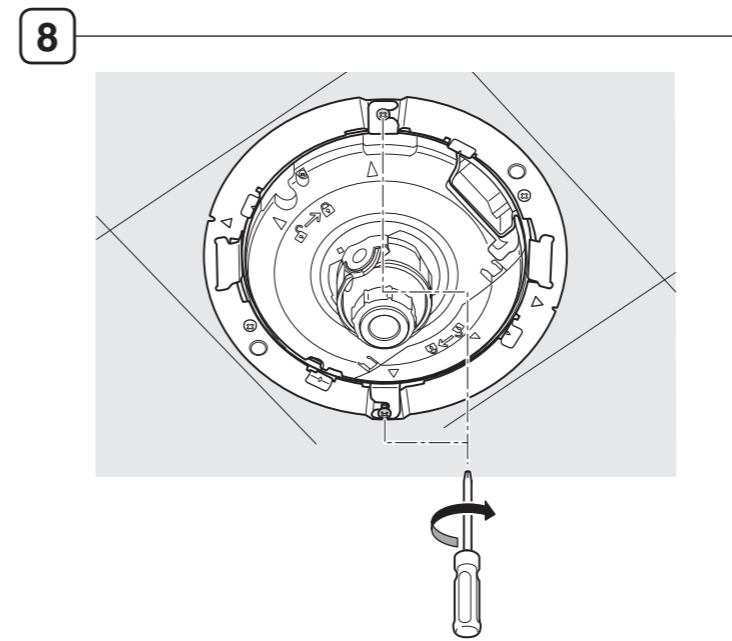
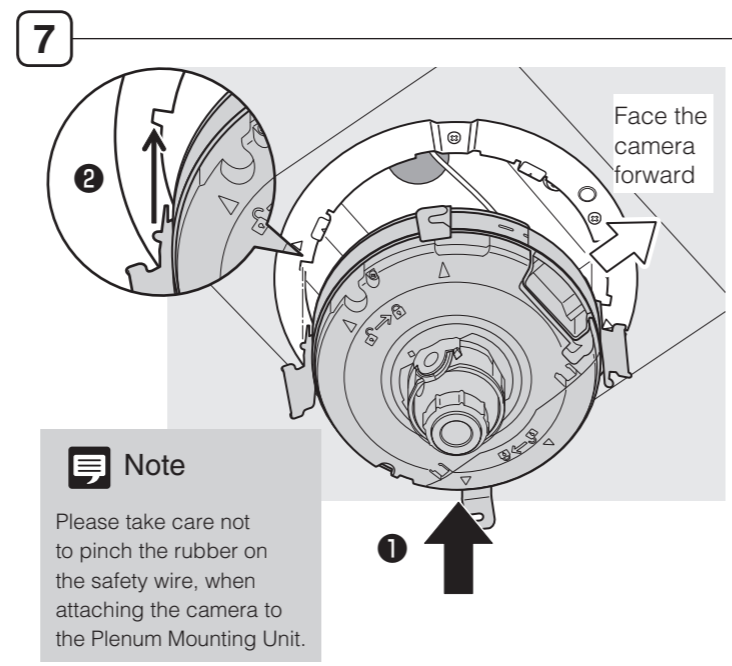
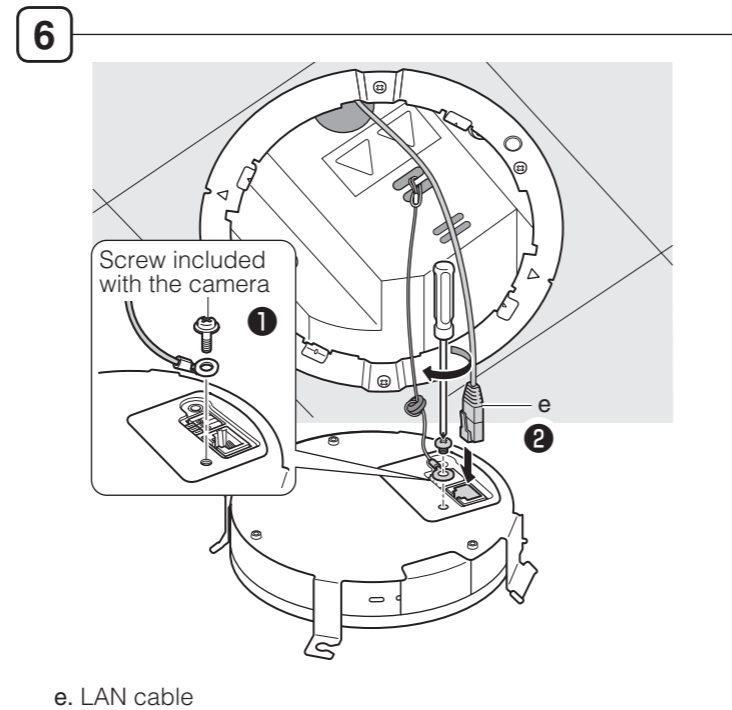
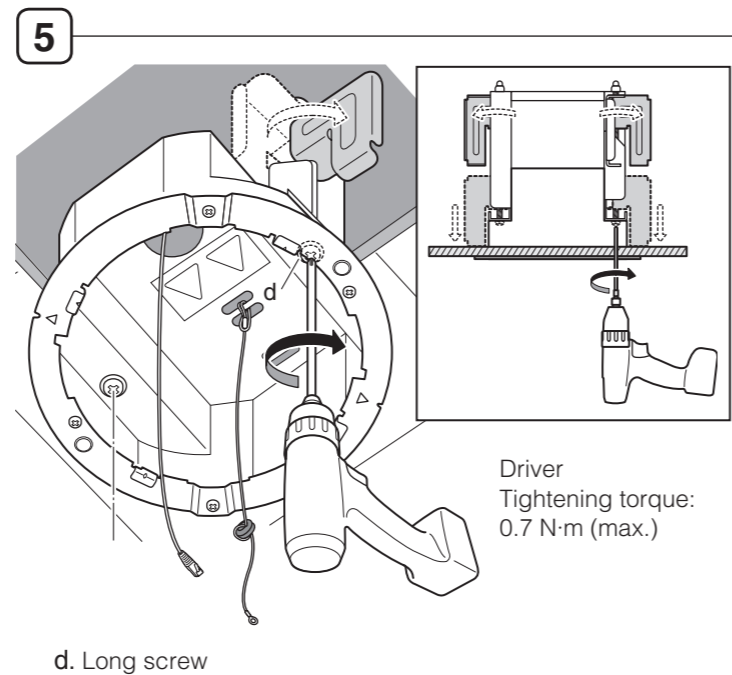
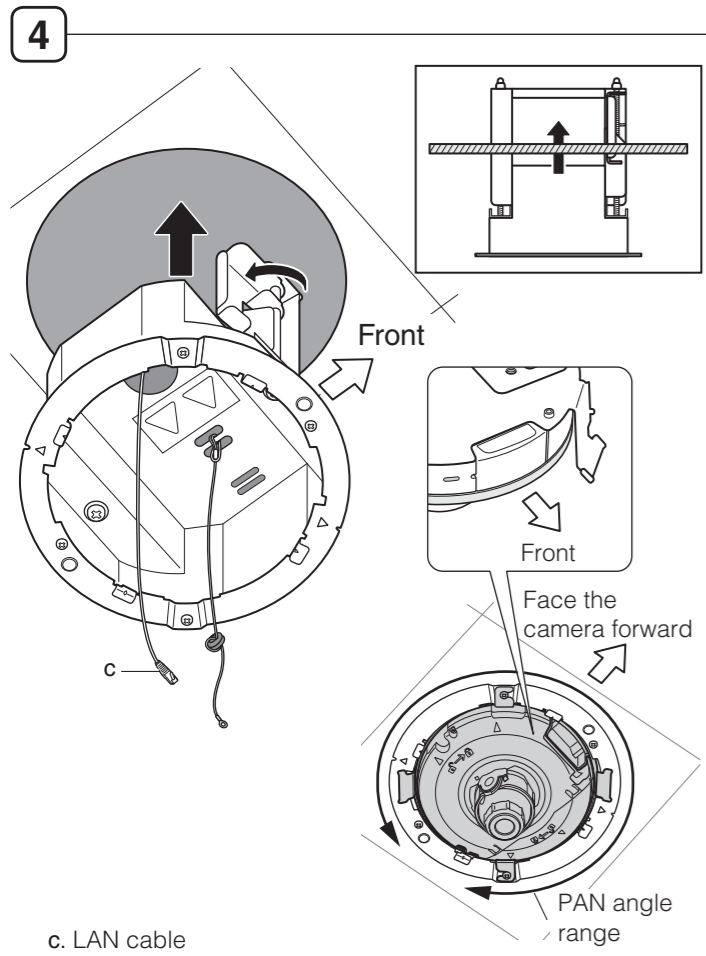
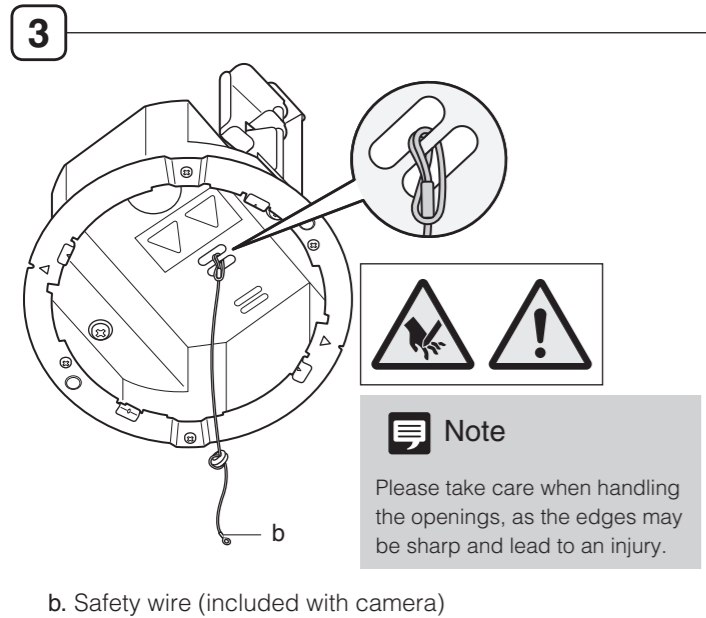
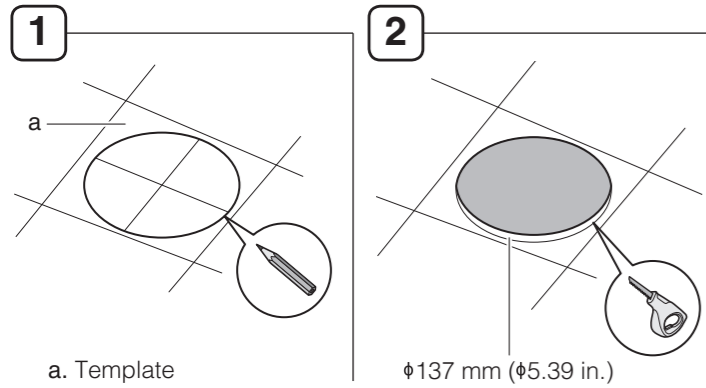


Before Installing the Camera

Remove the tape affixed on the unit from the factory. Attach the camera to the camera holder.



Installing the Camera



Removing

