

AXIS D2110-VE Security Radar

Installation guide

English

EN

Français

FR

Deutsch

DE

Italiano

IT

Español

ES

日本語

JA

中文: 简体中文

ZH

Read this first

Read through this installation guide carefully before you install the product. Keep the installation guide for future reference.

Legal considerations

Radar surveillance can be regulated by laws that vary from country to country. Check the laws in your local region before using this product for surveillance purposes.

Liability

Every care has been taken in the preparation of this document. Please inform your local Axis office of any inaccuracies or omissions. Axis Communications AB cannot be held responsible for any technical or typographical errors and reserves the right to make changes to the product and manuals without prior notice. Axis Communications AB makes no warranty of any kind with regard to the material contained within this document, including, but not limited to, the implied warranties of merchantability and fitness for a particular purpose. Axis Communications AB shall not be liable nor responsible for incidental or consequential damages in connection with the furnishing, performance or use of this material. This product is only to be used for its intended purpose.

Intellectual property rights

Axis AB has intellectual property rights relating to technology embodied in the product described in this document. In particular, and without limitation, these intellectual property rights may include one or more of the patents listed at axis.com/patent and one or more additional patents or pending patent applications in the US and other countries.

Equipment modifications

This equipment must be installed and used in strict accordance with the instructions given in the user documentation. This equipment contains no user-serviceable components. Unauthorized equipment changes or modifications will invalidate all applicable regulatory certifications and approvals.

Trademark acknowledgements

AXIS COMMUNICATIONS, AXIS, ARTPEC and VAPIX are registered trademarks of Axis AB in various jurisdictions. All other trademarks are the property of their respective owners.

Regulatory information

Europe



This product complies with the applicable CE marking directives:

- Electromagnetic Compatibility (EMC) Directive 2014/30/EU. See *Electromagnetic compatibility (EMC) on page 4*.
- Radio Equipment Directive (RED) 2014/53/EU. See *Radio transmission on page 5*.
- Low Voltage Directive (LVD) 2014/35/EU. See *Safety on page 6*.
- Restriction of Hazardous Substances (RoHS) Directive 2011/65/EU and 2015/863, including any amendments, updates or replacements. See .

A copy of the original declaration of conformity may be obtained from Axis Communications AB. See *Contact information on page 6*.

Electromagnetic compatibility (EMC)

This equipment has been designed and tested to fulfill applicable standards for:

- Radio frequency emission when installed according to the instructions and used in its intended environment.
- Immunity to electrical and electromagnetic phenomena when installed according to the instructions and used in its intended environment.

USA

This device complies with part 15 of the FCC Rules. Operation is subject to the following two conditions:

1. This device may not cause harmful interference, and
2. this device must accept any interference received, including interference that may cause undesired operation.

This equipment has been tested using an unshielded network cable (UTP) and found to comply with the limits for a Class A digital device, pursuant to part 15 of the FCC rules. This equipment has also been tested using a shielded network cable (STP) and found to comply with the limits for a Class A digital device, pursuant to part 15 of the FCC rules. These limits are designed to provide reasonable protection against harmful interference when the equipment is operated in a commercial environment. This equipment generates, uses, and can radiate radio frequency energy and, if not installed and used in accordance with the instruction manual, may cause harmful interference to radio communications. Operation of this equipment in a residential area is likely to cause harmful interference in which case the user will be required to correct the interference at his own expense.

Contact information

Axis Communications Inc.
300 Apollo Drive
Chelmsford, MA 01824
United States of America
Tel: +1 978 614 2000

Canada

This digital apparatus complies with CAN ICES-3 (Class A). The product shall be connected using a shielded network cable (STP) that is properly grounded. Cet appareil numérique est conforme à la norme CAN NMB-3 (classe A). Le produit doit être connecté à l'aide d'un câble réseau blindé (STP) qui est correctement mis à la terre.

Europe

This digital equipment fulfills the requirements for RF emission according to the Class A limit of EN 55032. The product shall be connected using a shielded network cable (STP) that is properly grounded. Notice! This is a Class A product. In a domestic environment this product may cause RF interference, in which case the user may be required to take adequate measures.

Australia/New Zealand

This digital equipment fulfills the requirements for RF emission according to the Class A limit of AS/NZS CISPR 32. The product shall be connected using a shielded network cable (STP) that is properly grounded. Notice! This is a Class A product. In a

domestic environment this product may cause RF interference, in which case the user may be required to take adequate measures.

Japan

この装置は、クラスA機器です。この装置を住宅環境で使用すると電波妨害を引き起こすことがあります。この場合には使用者が適切な対策を講ずるよう要求されることがあります。VCCI-A
本製品は、シールドネットワークケーブル(STP)を使用して接続してください。また適切に接地してください。
本製品は電気通信事業者(移動通信会社、固定通信会社、インターネットプロバイダ等)の通信回線(公衆無線LANを含む)に直接接続することができません。本製品をインターネットに接続する場合は、必ずルータ等を経由し接続してください。

Korea

이 기기는 업무용 환경에서 사용할 목적으로 적합성 평가를 받은 기기로서 가정용 환경에서 사용하는 경우 전파간섭의 우려가 있습니다. 적절히 접지된 STP (shielded twisted pair) 케이블을 사용하여 제품을 연결하십시오.

Radio transmission

This equipment may generate or use radio frequency energy. The user could lose the authority to operate this equipment if an unauthorized change or modification is made.

The transmitter operates at 24.05–24.25 GHz with maximum output power < 20 dBm.

USA

This product complies with FCC radiation exposure limits for an uncontrolled environment. This equipment shall be installed and operated with a minimum distance of 20 cm (7.9 in) between the user and the device.

Canada

This device complies with Industry Canada licence-exempt RSS standard(s). Operation is subject to the following two conditions: (1) this device may not cause interference, and (2) this device must accept any interference, including interference that may cause undesired operation of the device.

This product complies with IC radiation exposure limits for an uncontrolled environment. This equipment shall be installed and operated with a minimum distance of 20 cm (7.9 in) between the user and the device. Transmitter carrier frequency is 24.050–24.250 GHz, with RF output power of less than 20 dBm.

Le présent appareil est conforme aux CNR d'Industrie Canada applicables aux appareils radio exempts de licence. L'exploitation est autorisée aux deux conditions suivantes : (1) l'appareil ne doit pas produire de brouillage, et (2) l'utilisateur de l'appareil doit accepter tout brouillage radioélectrique subi, même si le brouillage est susceptible d'en compromettre le fonctionnement.

Ce produit est conforme aux limites d'exposition aux radiations IC pour un environnement non contrôlé. L'équipement doit être installé et fonctionné à une distance minimum de 20 cm (7,9 po) entre l'utilisateur et le dispositif. La fréquence porteuse du transmetteur est de 24,05–24,25 GHz avec une puissance de sortie RF inférieure à 20 dBm.

Europe

Hereby, Axis Communications AB declares that this product is in compliance with the essential requirements and other relevant provisions of Directive 2014/53/EC.

FR

Par la présente Axis Communications AB déclare que l'appareil ce produit est conforme aux exigences essentielles et aux autres dispositions pertinentes de la directive 2014/53/CE.

DE

Hiermit erklärt Axis Communications AB, dass sich dieses Produkt in Übereinstimmung mit den grundlegenden Anforderungen und den anderen relevanten Vorschriften der Richtlinie 2014/53/EG befindet.

IT

Con la presente Axis Communications AB dichiara che questo prodotto è conforme ai requisiti essenziali ed alle altre disposizioni pertinenti stabilite dalla direttiva 2014/53/CE.

ES

Por medio de la presente Axis Communications AB declara que el este producto cumple con los requisitos esenciales y cualesquiera otras disposiciones aplicables o exigibles de la Directiva 2014/53/CE.

FI

Axis Communications AB vakuuttaa täten että tämä tuote tyypin laite on direktiivin 2014/53/EY oleellisten vaatimusten ja sitä koskevien direktiivin muiden ehtojen mukainen.

NL

Hierbij verklaart Axis Communications AB dat het toestel in overeenstemming is met de essentiële eisen en de andere relevante bepalingen van richtlijn 2014/53/EG.

SV

Härmed intygar Axis Communications AB att denna produkt står i överensstämmelse med de väsentliga egenskapskrav och övriga relevanta bestämmelser som framgår av direktiv 2014/53/EG.

DA

Undertegnede Axis Communications AB erklærer herved, at følgende udstyr overholder de væsentlige krav og øvrige relevante krav i direktiv 2014/53/EF.

PT

Axis Communications AB declara que este produto está conforme com os requisitos essenciais e outras disposições da Directiva 2014/53/CE.

EL

ΜΕ ΤΗΝ ΠΑΡΟΥΣΑ Axis Communications AB ΔΗΛΩΝΕΙ ΟΤΙ αυτό το προϊόν ΣΥΜΜΟΡΦΩΝΕΤΑΙ ΠΡΟΣ ΤΙΣ ΟΥΣΙΩΔΕΙΣ ΑΠΑΙΤΗΣΕΙΣ ΚΑΙ ΤΙΣ ΛΟΙΠΕΣ ΣΧΕΤΙΚΕΣ ΔΙΑΤΑΞΕΙΣ ΤΗΣ ΟΔΗΓΙΑΣ 2014/53/ΕΚ.

Taiwan

取得審驗證明之低功率射頻器材，非經核准，公司、商號或使用者均不得擅自變更頻率、加大功率或變更原設計之特性及功能。低功率射頻器材之使用不得影響飛航安全及干擾合法通信；經發現有干擾現象時，應立即停用，並改善至無干擾時方得繼續使用。前述合法通信，指依電信管理法規定作業之無線電通信。低功

放射頻器材須忍受合法通信或工業、科學及醫療用電波輻射性電機設備之干擾。

Japan

本製品は、特定無線設備の技術基準適合証明を受けています。

Brazil

Este produto está homologado pela ANATEL, de acordo com os procedimentos regulamentados pela Resolução 242/2000 e atende aos requisitos técnicos aplicados.



04798-20-05509

Este equipamento opera em caráter secundário, isto é, não tem direito a proteção contra interferência prejudicial, mesmo de estações do mesmo tipo, e não pode causar interferência a sistemas operando em caráter primário.

Para maiores informações, consulte o site da ANATEL www.anatel.gov.br.

Mexico

La operación de este equipo está sujeta a las siguientes condiciones:

1. Es posible que este equipo o dispositivo no cause interferencia perjudicial.
2. Este equipo o dispositivo debe aceptar cualquier interferencia. Incluyendo la que pueda causar su operación no deseada.

Safety

The product shall be grounded via an appropriate grounding cable.

The power supply used with this product shall have a rated output voltage within voltage range of 8–28 V DC, and power limited to ≤100 W.

The power supply used with this product shall fulfill one of the following requirements:

- Safety Extra Low Voltage (SELV) according to clause 2.2 of IEC/EN/UL 60950-1 and Limited Power Source (LPS) according to clause 2.5 of IEC/EN/UL 60950-1 or CEC/NEC Class 2 source of supply as defined in the Canadian Electrical Code, CSA C22.1 and National Electrical Code, ANSI/NFPA 70
- Class 1 electrical energy source (ES1) and Class 2 power source (PS2) rated output power limited to ≤100 W according to IEC/EN/UL 62368-1

When used with Power over Ethernet (PoE), the Power Sourcing Equipment (PSE) shall comply with Limited Power Source (LPS) according to clause 2.5 of IEC/EN/UL 60950-1 or annex Q of IEC/EN/UL 62368-1.

We recommend the use of Axis High PoE midspans or Axis High PoE switches.

When this product has reached the end of its useful life, dispose of it according to local laws and regulations. For information about your nearest designated collection point, contact your local authority responsible for waste disposal. In accordance with local legislation, penalties may be applicable for incorrect disposal of this waste.

Europe



This symbol means that the product shall not be disposed of together with household or commercial waste. Directive 2012/19/EU on waste electrical and electronic equipment (WEEE) is applicable in the European Union member states. To prevent potential harm to human health and the environment, the product must be disposed of in an approved and environmentally safe recycling process. For information about your nearest designated collection point, contact your local authority responsible for waste disposal. Businesses should contact the product supplier for information about how to dispose of this product correctly.

This product complies with the requirements of Directive 2011/65/EU and 2015/863 on the restriction of the use of certain hazardous substances in electrical and electronic equipment (RoHS).

China



This product complies with the requirements of SJ/T 11364-2014, Marking for the restriction of hazardous substances in electrical and electronic products.

有毒有害物质或元素						
部件名称	铅 (Pb)	汞 (Hg)	镉 (Cd)	六价铬 (Cr(VI))	多溴联苯 (PB-B)	多溴二苯醚 (PB-DE)
电气实装部分	X	0	0	0	0	0

0: 表示该有毒有害物质在该部件均质材料中的含量均在GB/T 26572标准规定的限量要求以下。
X: 表示该有毒有害物质至少在该部件的某一均质材料中的含量超出GB/T 26572标准规定的限量要求。

Contact information

Axis Communications AB
Gränden 1
223 69 Lund
Sweden
Tel: +46 46 272 18 00
Fax: +46 46 13 61 30
axis.com

Warranty information

For information about Axis' product warranty and thereto related information, go to axis.com/warranty.

Support

Should you require any technical assistance, please contact your Axis reseller. If your questions cannot be answered immediately, your reseller will forward your queries through the appropriate channels to ensure a rapid response. If you are connected to the Internet, you can:

- download user documentation and software updates
- find answers to resolved problems in the FAQ database, search by product, category, or phrase
- report problems to Axis support staff by logging in to your private support area
- chat with Axis support staff
- visit Axis Support at axis.com/support

Learn more!

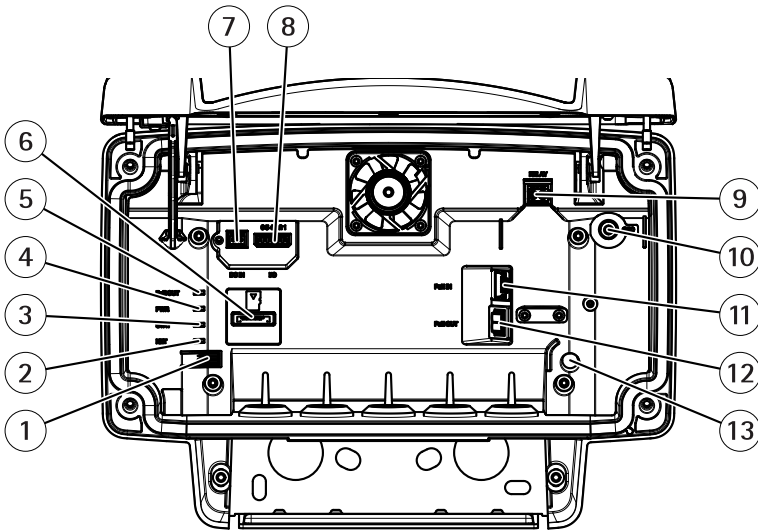
Visit Axis learning center axis.com/learning for useful trainings, webinars, tutorials and guides.

Package contents

- AXIS D2110-VE Security Radar
- Mount bracket
- Pipe adapter (2x)
- Screw T30 (4x) for use with pole mount.
- Torx screwdriver TR20
- Mounting tool for RJ45
- Cable shoe
- Lock washer
- Cable gasket, gray (2x)
- Cable gasket, black (2x)
- Cable gland
- 6-pin I/O connector block for connecting external devices
- Spare strut
- Printed materials
 - Installation Guide (this document)
 - Extra serial number label (2x)
 - AVHS Authentication key
 - Drill template
 - Radar surveillance sticker

AXIS D2110-VE Security Radar

Product overview



- 1 Control button
- 2 Network LED
- 3 Status LED
- 4 Power LED
- 5 PoE out LED
- 6 microSD card slot
- 7 Power connector (DC)
- 8 I/O connector
- 9 Relay connector
- 10 Grounding screw
- 11 Network connector (PoE in)
- 12 Network connector (PoE out)
- 13 Intrusion alarm sensor

For technical specifications, see *Specifications on page 22*.

Where to install the product

- The radar is intended for monitoring open areas. Any solid object (such as a wall, a fence, a tree, or a large bush) in the coverage area will create a blind spot (radar shadow) behind it.
- Install the radar on a stable pole or a spot on a wall where there are no other objects or installations. Objects within 1 m (3 ft) to the left and right of the radar, that reflect radio waves, affect the performance of the radar.
- Metal objects in the field of view causes reflections that affects the ability of the radar to perform classifications.
- If you want to install more than two radars in the same coexistence zone, see the user manual at axis.com for more information.

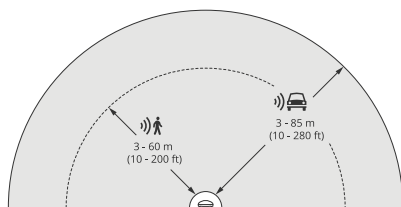
Area detection range

Detection range is the distance within which an object can be tracked and can trigger an alarm. It is measured from **near detection limit** (how close to the device a detection can be made) to a **far detection limit** (how far from the device a detection can be made).

The **Area monitoring profile** is optimized for human detection, however, it will also allow you to track vehicles and other objects moving at up to 55 km/h (34 mph) with a velocity accuracy of +/- 2 km/h (1.24 mph).

When mounted at the optimal installation height, the detection ranges are:

- 3–60 m (10–200 ft) when detecting a human
- 3–85 m (10–280 ft) when detecting a vehicle



Note

- If you install the radar at a different height, enter the actual mounting height in the product's web pages when you calibrate the radar.
- The detection range is affected by the scene.
- The detection range is affected by neighboring radars.
- The detection range is affected by the object type.

AXIS D2110-VE Security Radar

The detection range was measured under these conditions:

- The range was measured along the ground.
- The object was a 170 cm (5 ft 7 in) tall person.
- The person was walking straight in front of the radar.
- The values are measured when the person enters the detection zone.
- The radar sensitivity was set to **Medium**.

Mounting height	0° tilt	10° tilt	20° tilt
2.5 m (8.2 ft)	3.0–60 m (9.8–197 ft)	Not recommended	Not recommended
3.5 m (11 ft)	3.0–60 m (9.8–197 ft)	Not recommended	Not recommended
4.5 m (15 ft)	4.0–60 m (13–197 ft)	Not recommended	Not recommended
5.5 m (18 ft)	7.5–60 m (25–197 ft)	Not recommended	Not recommended
6.5 m (21 ft)	7.5–60 m (25–197 ft)	5.5–60 m (18–197 ft)	Not recommended
8 m (26 ft)	Not recommended	9–60 m (30–197 ft)	7.5–30 m (25–98 ft)
10 m (33 ft)	Not recommended	15–60 m (49–197 ft)	9–35 m (30–115 ft)
12 m (39 ft)	Not recommended	23–60 m (75–197 ft)	13–38 m (43–125 ft)
14 m (36 ft)	Not recommended	27–60 m (89–197 ft)	17–35 m (56–115 ft)
16 m (52 ft)	Not recommended	Not recommended	25–50 m (82–164 ft)

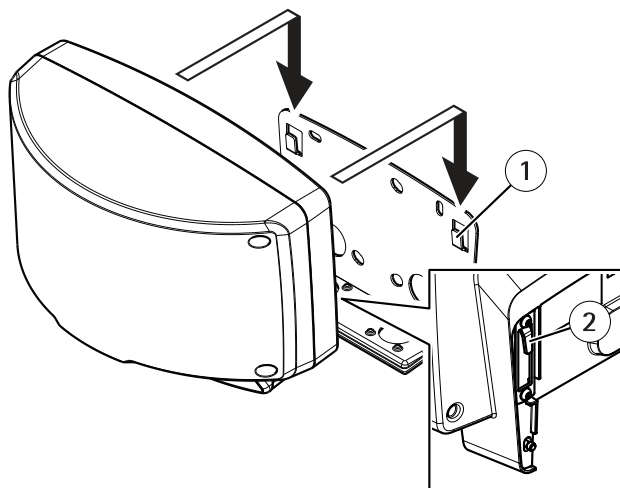
How to install the product

1. Use the drill template and drill holes in the wall.
2. Fasten the mounting bracket to the wall.
3. Route the network cable through the mounting bracket. Leave approximately 30 cm (12 in) of cable for connecting the radar.

⚠ CAUTION

Risk of water leaks.

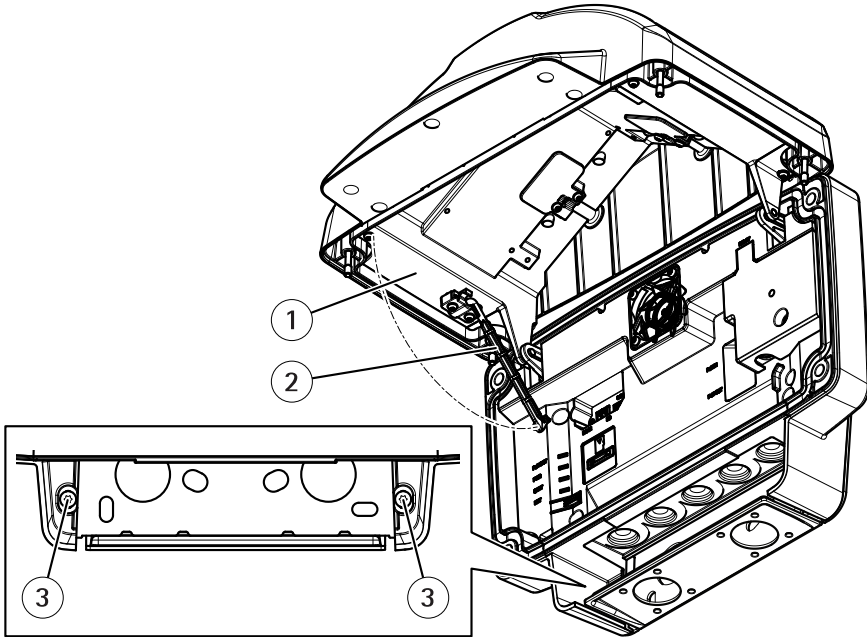
- Do not use network cables with capped network connectors because they can cause tearing of the cable gasket.
 - Use cables with a diameter of 5–9.5 mm (0.2–0.4 in).
4. To connect an auxiliary device, for example an I/O or a PTZ camera, repeat the step above for each cable.
 5. Attach the radar to the mounting bracket with the hooks.



- 1 Hook, bracket side
- 2 Hook, radar side

6. Loosen the screws on the cover and open the cover.
7. Snap the strut into position to lock the cover in its open position.
8. Tighten the screws with 1 N m (0.7 lb ft) torque.

AXIS D2110-VE Security Radar



- 1 Cover
- 2 Strut
- 3 Screw (2x)

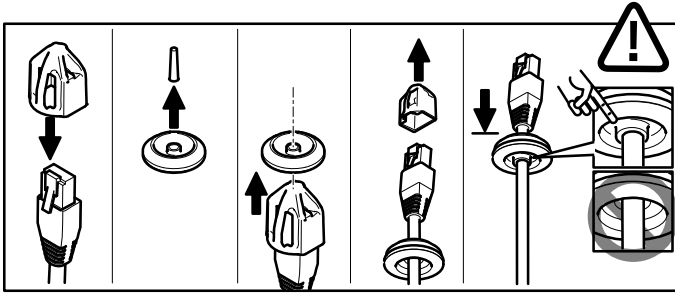
9. To use a microSD card for local storage, insert the card into the radar's microSD card slot.
10. Remove the left cable gasket and pull the tab to open a hole for the network cable.

CAUTION

Risk of water leaks.

- Only open holes in cable gaskets that are used.
- If a cable gasket is torn, replace it with a new cable gasket.

11. Push the network cable through the cable gasket.



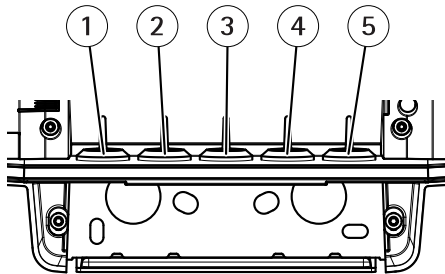
12. Pull the network cable back slightly so that the cable gasket adjusts itself on the cable.

CAUTION

Risk of water leaks. If the cable gasket is not correctly adjusted on the cable water can seep in and damage the product.

13. Put back the cable gasket.

14. If connecting an auxiliary device, for example an I/O, repeat the step above as applicable to the specific device. If more than one cable is used, each cable must be routed through a separate cable gasket.



- 1 Network
- 2 PoE out to network device
- 3 Power
- 4 I/O
- 5 Ground/Relay

15. To use a cable gland with strain relief, assemble it as shown below. Tighten the nut and cap firmly by hand.

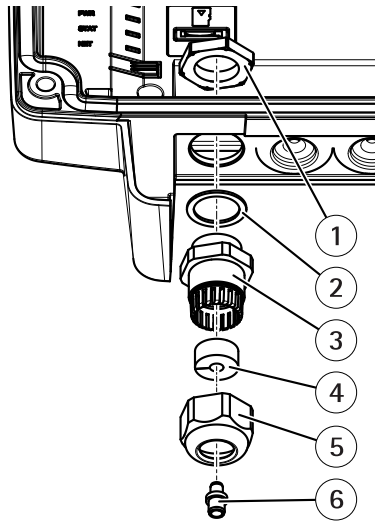
CAUTION

Risk of water leaks.

- Only pull one cable through the cable gland.

AXIS D2110-VE Security Radar

- Use a cable with a diameter of 5–6 mm (0.2–0.24 in).



- 1 Nut
- 2 Gasket
- 3 Body
- 4 Seal
- 5 Cap
- 6 Plug (discard)

16. Ground the radar:

⚠WARNING

- Use a grounding cable with 1.5–4 mm² cross section (AWG 16–11).
- The strain relief is designed for cables with a diameter of 8.5–9.5 mm (0.33–0.37 in). To use strain relief on smaller cable diameters, use the supplied cable gland with strain relief.

16.1 Remove the screw and the cover.

16.2 Connect the external equipment to the relay connector.

16.3 Remove the grounding screw.

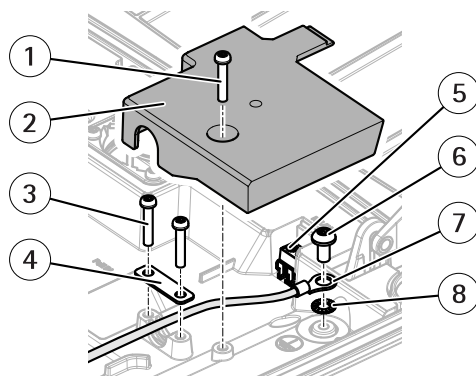
16.4 Attach the ground cable to the cable shoe using cable shoe pliers.

16.5 Fasten the washer and cable shoe with the screw.

16.6 To control external electrical equipment from the radar, connect cables to the radar's relay.

16.7 Fasten the cable with the strain relief.

16.8 Fasten the cover with the screw.



- 1 Screw
- 2 Cover
- 3 Screw
- 4 Strain relief
- 5 Relay connector
- 6 Grounding screw
- 7 Cable shoe
- 8 Washer

17. Connect external devices to the radar.

18. Connect the network cable.

19. If you are not using PoE, connect the DC power.

CAUTION

Risk of damage to the device. Do not power the device with both PoE and DC.

20. Make sure that the LEDs indicate the correct condition. See *LED indicators on page 22*.

21. Pull out the strut and close the cover.

22. Tighten the four screws with 1 N m (0.7 lb ft) torque.

Find the device on the network

To find Axis devices on the network and assign them IP addresses in Windows®, use AXIS IP Utility or AXIS Device Manager. Both applications are free and can be downloaded from axis.com/support.

For more information about how to find and assign IP addresses, go to *How to assign an IP address and access your device*.

AXIS D2110-VE Security Radar

Browser support

You can use the device with the following browsers:

	Chrome™	Firefox®	Edge™	Safari®
Windows®	recommended	recommended	✓	
macOS®	recommended	recommended	✓	✓
Linux®	recommended	recommended	✓	
Other operating systems	✓	✓	✓	✓*

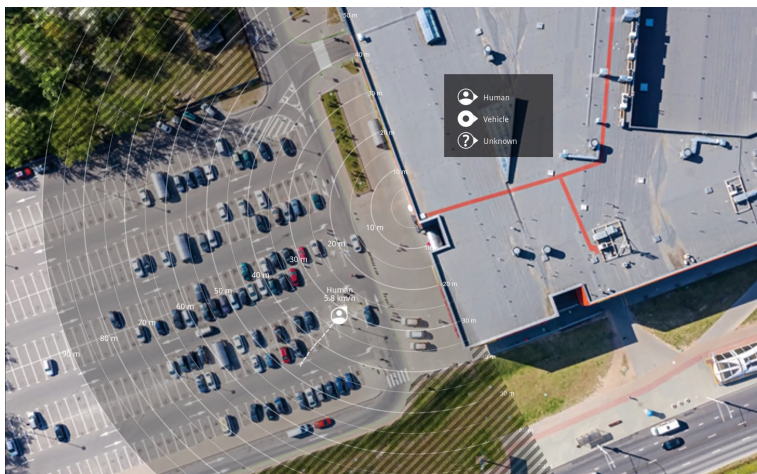
To use AXIS OS web interface with iOS 15 or iPadOS 15, go to **Settings > Safari > Advanced > Experimental Features and disable NSURLConnection Websocket.*

To find out more about how to use the device, see the user manual available at axis.com.

Map calibration

The radar is ready to use as soon as it is installed. The default live view will show the radar coverage and any detected movement, and you can add detection zones and rules right away.

If the radar is mounted 3.5 m (11 ft) above ground, there is no need to do anything else. If the radar is mounted on a different height you need to calibrate the radar to compensate for the mounting height.



To make it easier to see where objects are moving, you can upload a reference map, for example a ground plan or an aerial photo, that shows the area covered by the radar.

Image requirements:

- Supported file formats are jpeg and png.
- The image can be cropped in the radar.
- The image can be rotated $\pm 35^\circ$ in the radar.
- The orientation is not important, since the radar coverage shape will move to adapt to the image during calibration.

After uploading the reference map you need to calibrate the reference map so that the actual radar coverage fits the position, direction and scale of the reference map.

Calibration is performed in the web interface by clicking in the reference map. You don't need physical access to the site.

For more information about calibration, see the user manual at axis.com

Reset to factory default settings

Important

Reset to factory default should be used with caution. A reset to factory default resets all settings, including the IP address, to the factory default values.

To reset the product to the factory default settings:

1. Disconnect power from the product.
2. Press and hold the control button while reconnecting power. See *Product overview on page 10*.
3. Keep the control button pressed for 15–30 seconds until the status LED indicator flashes amber.
4. Release the control button. The process is complete when the status LED indicator turns green. The product has been reset to the factory default settings. If no DHCP server is available on the network, the default IP address is 192.168.0.90.
5. Use the installation and management software tools to assign an IP address, set the password, and access the video stream.

The installation and management software tools are available from the support pages on axis.com/support.

It is also possible to reset parameters to factory default through the web interface. Go to **Settings > System > Maintenance** and click **Default**.

Further information

- The device's installation guide and user manual are available at axis.com.
- To check if there is an updated firmware version for your device, see axis.com/support.
- For useful trainings, webinars, tutorials and guides, see axis.com/academy.

Optional accessories

For a complete list of available accessories for this product, go to the product's page on axis.com and select Software & Accessories.

- AXIS T91R61 Wall Mount
- AXIS T91B47 Pole Mount
- AXIS T94R01B Corner Bracket

Specifications

LED indicators

Status LED	Indication
Green	Steady green for normal operation.

Network LED	Indication
Green	Steady for connection to a 1 Gbit/s network. Flashes for network activity.
Amber	Steady for connection to a 10/100 Mbit/s network. Flashes for network activity.
Unlit	No network connection.

Power LED	Indication
Green	Normal operation.

PoE out LED	Indication
Unlit	PoE out turned off
Green	PoE out turned on

SD card slot

For SD card recommendations, see axis.com.

Buttons

Control button

For location of the control button, see *Product overview on page 10*.

The control button is used for:

- Resetting the product to factory default settings. See *page 20*.

Connectors

Network connector

RJ45 Ethernet connector with Power over Ethernet Plus (PoE+).

⚠ CAUTION

Risk of damage to the device. Do not power the device with both PoE and DC.

Network connector (PoE out)

Power over Ethernet IEEE 802.3at type 2, max 30W

Use this connector to supply power to another PoE device, for example a camera, a horn speaker, or a second security radar.

Note

The PoE output is enabled when the radar is powered by a 60 W midspan (Power over Ethernet IEEE 802.3bt, type 3).

Note

If the radar is powered by a 30 W midspan or DC power, the PoE out is disabled.

Note

Maximum Ethernet cable length is 100 m in total for PoE out and PoE in combined. You can increase it with a PoE extender.

Note

If the connected PoE device requires more than 30 W, you can add a 60 W midspan between the PoE out port on the radar and the device. The midspan will power the device while the security radar will provide the Ethernet connection.

I/O connector

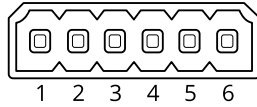
Use the I/O connector with external devices in combination with, for example, event triggering and alarm notifications. In addition to the 0 V DC reference point and power (DC output), the I/O connector provides the interface to:

Digital input – For connecting devices that can toggle between an open and closed circuit, for example PIR sensors, door/window contacts, and glass break detectors.

Digital output – For connecting external devices such as relays and LEDs. Connected devices can be activated by the VAPIX® Application Programming Interface, through an event or from the product's webpage.

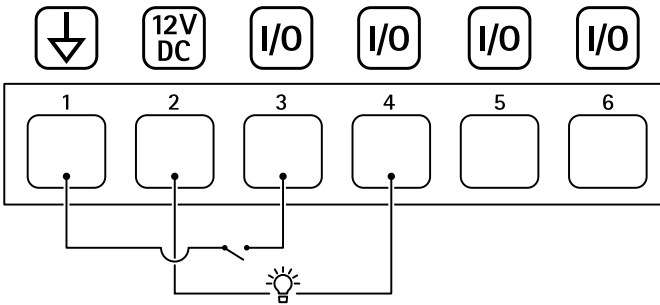
6-pin terminal block

AXIS D2110-VE Security Radar



Function	Pin	Notes	Specifications
DC ground	1		0 V DC
DC output	2	Can be used to power auxiliary equipment. Note: This pin can only be used as power out.	12 V DC Max load = 50 mA
Configurable (Input or Output)	3– 6	Digital input – Connect to pin 1 to activate, or leave floating (unconnected) to deactivate.	0 to max 30 V DC
		Digital output – Internally connected to pin 1 (DC ground) when active, and floating (unconnected) when inactive. If used with an inductive load, e.g., a relay, connect a diode in parallel with the load, to protect against voltage transients.	0 to max 30 V DC, open drain, 100 mA

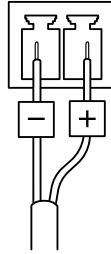
Example



- 1 DC ground
- 2 DC output 12 V, max 50 mA
- 3 I/O configured as input
- 4 I/O configured as output
- 5 Configurable I/O
- 6 Configurable I/O

Power connector

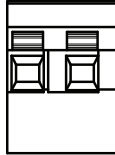
2-pin terminal block for DC power input. Use a Safety Extra Low Voltage (SELV) compliant limited power source (LPS) 8–28 V DC with a rated output power limited to ≤ 100 W.



⚠ CAUTION

Risk of damage to the device. Do not power the device with both PoE and DC.

Relay connector



⚠ CAUTION

Use single core wires for the relay connector.

Function	Specifications
Type	Normally open
Rating	24 V DC/5 A
Isolation from other circuitry	2.5 kV

Intrusion alarm switch

Use the intrusion alarm switch to get a notification when someone opens the device's housing. To set up an action rule, see the user manual available at axis.com.

Safety information

Hazard levels

▲DANGER

Indicates a hazardous situation which, if not avoided, will result in death or serious injury.

▲WARNING

Indicates a hazardous situation which, if not avoided, could result in death or serious injury.

▲CAUTION

Indicates a hazardous situation which, if not avoided, could result in minor or moderate injury.

NOTICE

Indicates a situation which, if not avoided, could result in damage to property.

Other message levels

Important

Indicates significant information which is essential for the product to function correctly.

Note

Indicates useful information which helps in getting the most out of the product.

AXIS D2110-VE Security Radar

Safety instructions

⚠ DANGER

Risk of electric shock. All cables shall be de-energized before installing or performing maintenance on the product.

⚠ WARNING

The Axis product shall be installed by a trained professional, and in compliance with local laws and regulations.

⚠ CAUTION

Be careful with sharp metal edges. To avoid cuts, use cut-resistant gloves during installation.

NOTICE

- The Axis product shall be used in compliance with local laws and regulations.
- Axis recommends using a shielded network cable (STP).
- Axis recommends using a network cable of category CAT6 or higher.
- Store the Axis product in a dry and ventilated environment.
- Avoid exposing the Axis product to shocks or heavy pressure.
- Avoid exposing the Axis product to vibration.
- Do not install the product on unstable poles, brackets, surfaces or walls.
- Do not install the product on vibrating poles, brackets, surfaces or walls.
- Use only applicable tools when installing the Axis product. Using excessive force with power tools could cause damage to the product.
- Do not use chemicals, caustic agents, or aerosol cleaners.
- Use a clean cloth dampened with pure water for cleaning.
- Use only accessories that comply with the technical specification of your product. These can be provided by Axis or a third party. Axis recommends using Axis power source equipment compatible with your product.
- Use only spare parts provided by or recommended by Axis.
- Do not attempt to repair the product yourself. Contact Axis support or your Axis reseller for service matters.
- Use a yellow/green colored grounding cable of at least 1.5 mm² or 15 AWG.

Transportation

NOTICE

- When transporting the Axis product, use the original packaging or equivalent to prevent damage to the product.

Battery

The Axis product uses a 3.0 V BR2032 lithium battery as the power supply for its internal real-time clock (RTC). Under normal conditions this battery will last for a minimum of five years.

Low battery power affects the operation of the RTC, causing it to reset at every power-up. When the battery voltage is low, a log message will appear in the product's server report.

▲CAUTION

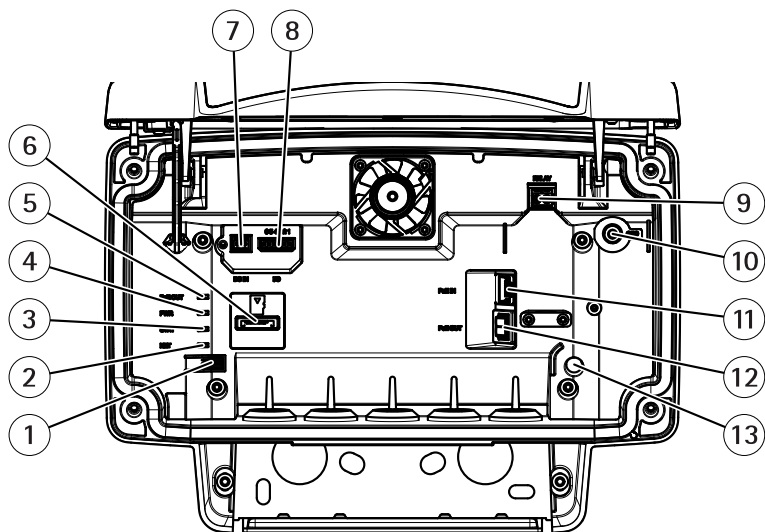
Do not replace the battery yourself. Contact Axis support if the log message requests a battery change.

Lithium coin cell 3.0 V batteries contain 1,2-dimethoxyethane; ethylene glycol dimethyl ether (EGDME), CAS no. 110-71-4.

Contenu de l'emballage

- AXIS D2110-VE Security Radar
- Support mural
- Adaptateur de tube (x 2)
- Vis T30 (x 4) pour utilisation avec la fixation sur poteau.
- Tournevis Torx TR20
- Outil de montage pour RJ45
- Cosse de câble
- Rondelle de blocage
- Joint de câble, gris (x 2)
- Joint de câble, noir (x 2)
- Presse-étoupe
- Bloc de connexion à 6 broches pour le raccordement de dispositifs externes au connecteur pour terminaux E/S
- Entretoise de rechange
- Documents imprimés
 - Guide d'installation (ce document)
 - Étiquette supplémentaire de numéro de série (x2)
 - Clé d'authentification AVHS
 - Gabarit de perçage
 - Adhésif surveillance radar

Vue d'ensemble du produit



- 1 Bouton de commande
- 2 LED réseau
- 3 LED de statut
- 4 LED d'alimentation
- 5 LED sortie PoE
- 6 Emplacement de carte microSD
- 7 Connecteur d'alimentation (CC)
- 8 Connecteur d'E/S
- 9 Connecteur relais
- 10 Vis de mise à la terre
- 11 Connecteur réseau (entrée PoE)
- 12 Connecteur réseau (sortie PoE)
- 13 Capteur d'alarme d'intrusion

Pour les caractéristiques techniques, consultez *Specifications* à la page 45.

Où installer le produit

- Le radar est destiné à la surveillance des zones ouvertes. Tout objet solide (tel qu'un mur, une clôture, un arbre ou un grand buisson) situé dans la zone de couverture crée un angle mort (ombre radar) derrière lui.
- Installez le radar sur un mât stable ou à un endroit d'un mur où il n'y a pas d'autres objets ou d'installations. Les objets à une distance de 1 m (3 pi) à gauche et à droite du radar, qui réfléchissent les ondes radio, affectent les performances du radar.
- Les objets métalliques dans le champ de vision provoquent des reflets qui affectent la capacité du radar à effectuer des classifications.
- Si vous souhaitez installer plus de deux radars dans la même zone de coexistence, consultez le manuel d'utilisation sur axis.com pour plus d'informations.

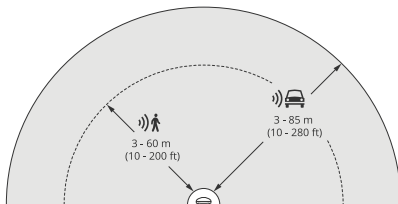
Plage de détection de zone

La plage de détection est la distance à laquelle un objet peut être suivi et déclencher une alarme. Elle est mesurée entre la **limite proche de la détection** (proximité du périphérique à laquelle elle peut être réalisée) et une **limite de détection éloignée** (distance du périphérique à laquelle une détection peut être réalisée).

Le **profil de surveillance de zone** est optimisé pour la détection humaine, cependant, il vous permettra également de suivre des véhicules et d'autres objets se déplaçant à une vitesse pouvant atteindre 55 km/h (34 mph) avec une précision de vitesse de +/- 2 km/h (1,24 mph).

Lorsque le montage est à une hauteur d'installation optimale, les plages de détection sont les suivantes :

- 3 - 60 m (10 - 200 pi.) lors de la détection d'un humain
- 3 - 85 m (10 - 280 pi.) lors de la détection d'un véhicule



Remarque

- Si vous installez le radar à une hauteur différente, saisissez la hauteur de montage effective dans les pages Web du produit lorsque vous calibrez le radar.
- La plage de détection est affectée par la scène.
- La plage de détection est affectée par les radars situés à proximité.

AXIS D2110-VE Security Radar

- La plage de détection est affectée par le type d'objet.

La plage de détection a été mesurée dans les conditions suivantes :

- La portée a été mesurée le long du sol.
- L'objet était une personne mesurant 170 cm (5 pi 7 po).
- La personne marchait directement devant le radar.
- Les valeurs sont mesurées lorsque la personne entre dans la zone de détection.
- La sensibilité du radar était réglée sur **Medium (Moyen)**.

Hauteur de montage	Inclinaison de 0°	Inclinaison de 10°	Inclinaison de 20°
2,5 m (8,2 pi)	3,0 - 60 m (9,8 - 197 pi)	Non recommandé	Non recommandé
3,5 m (11 pi)	3,0 - 60 m (9,8 - 197 pi)	Non recommandé	Non recommandé
4,5 m (15 pi)	4,0 - 60 m (13 - 197 pi)	Non recommandé	Non recommandé
5,5 m (18 pi)	7,5 - 60 m (25 - 197 pi)	Non recommandé	Non recommandé
6,5 m (21 pi)	7,5 - 60 m (25 - 197 pi)	5,5 - 60 m (18 - 197 pi)	Non recommandé
8 m (26 pi)	Non recommandé	9 - 60 m (30 - 197 pi)	7,5 - 30 m (25 - 98 pi)
10 m (33 pi)	Non recommandé	15 - 60 m (49 - 197 pi)	9 - 35 m (30 - 115 pi)
12 m (39 pi)	Non recommandé	23 - 60 m (75 - 197 pi)	13 - 38 m (43 - 125 pi)
14 m (36 pi)	Non recommandé	27 - 60 m (89 - 197 pi)	17 - 35 m (56 - 115 pi)
16 m (52 pi)	Non recommandé	Non recommandé	25 - 50 m (82 - 164 pi)

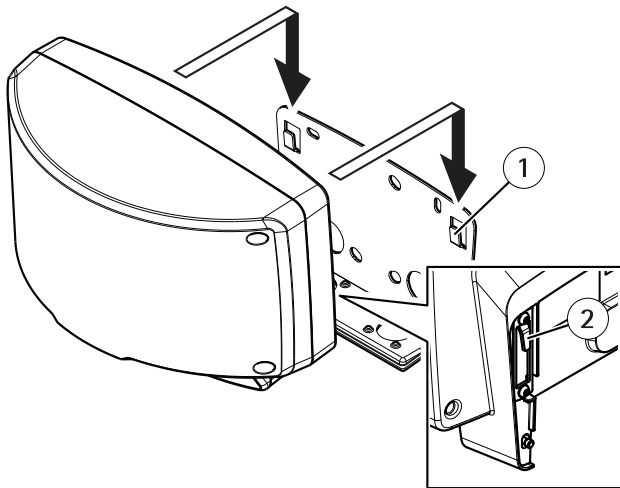
Comment installer le produit

1. Utilisez le gabarit de perçage et percez les trous dans le mur.
2. Fixez le support de montage au mur.
3. Acheminez le câble réseau à travers le support de montage. Laissez environ 30 cm (12 po) de câble pour la connexion du radar.

⚠ ATTENTION

Risque de fuites d'eau.

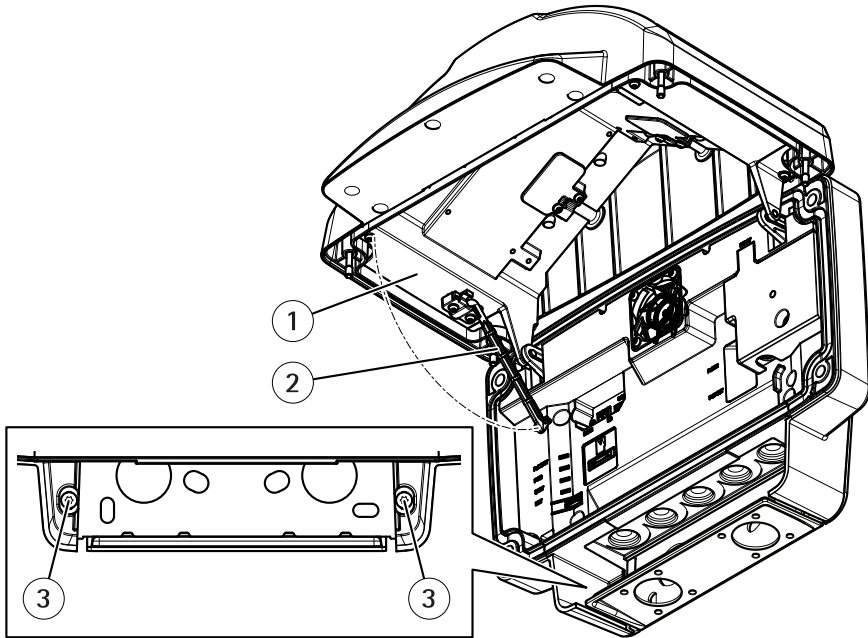
- N'utilisez pas de câbles réseau équipés de connecteurs réseau recouverts car ils peuvent endommager le joint de câble.
 - Utilisez des câbles d'un diamètre compris entre 5 et 9,5 mm (0,2 et 0,4 po).
4. Pour connecter un périphérique auxiliaire, par exemple une entrée/sortie ou une caméra PTZ, répétez l'étape ci-dessus pour chaque câble.
 5. Fixez le radar au support de montage avec les crochets.



- 1 *Crochet, côté support*
- 2 *Crochet, côté radar*

6. Desserrez les vis du couvercle et ouvrez le couvercle.
7. Enclenchez l'entretoise pour verrouiller le couvercle en position ouverte.
8. Serrez les vis avec un couple de serrage de 1 Nm (0,7 lb ft).

AXIS D2110-VE Security Radar



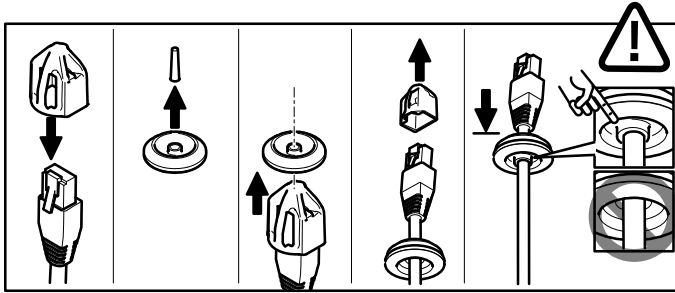
- 1 Couvercle
- 2 Entretoise
- 3 Vis (x2)

9. Pour utiliser une carte microSD comme espace de stockage local, insérez la carte dans le logement de carte microSD du radar.
10. Retirez le joint de câble gauche et tirez sur la patte pour ouvrir un trou au niveau du câble réseau.

ATTENTION

Risque de fuites d'eau.

- Ouvrez uniquement des trous dans les joints de câbles utilisés.
 - Si un joint de câble est déchiré, remplacez-le par un nouveau joint de câble.
11. Faites passer le câble réseau à travers le joint de câble.



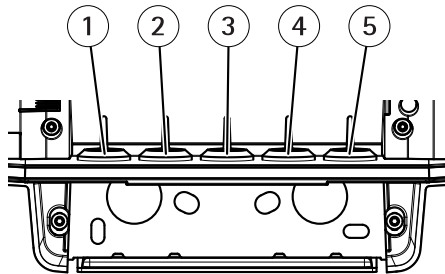
12. Tirez légèrement sur le câble réseau pour que le joint s'ajuste dessus.

ATTENTION

Risque de fuites d'eau. Si le joint de câble n'est pas correctement ajusté sur le câble, de l'eau peut s'infiltrer et endommager le produit.

13. Remettez en place le joint de câble.

14. Si vous connectez un périphérique auxiliaire, par exemple une entrée/sortie, répétez l'étape ci-dessus pour chaque périphérique. Si vous utilisez plusieurs câbles, chacun doit être acheminé au travers d'un joint de câble distinct.



- 1 Réseau
- 2 Sortie PoE vers le périphérique réseau
- 3 Alimentation
- 4 E/S
- 5 Terre / Relais

15. Pour utiliser un presse-étoupe avec réducteur de tension, assemblez-le comme illustré ci-dessous. Serrez fermement l'écrou et le capuchon à la main.

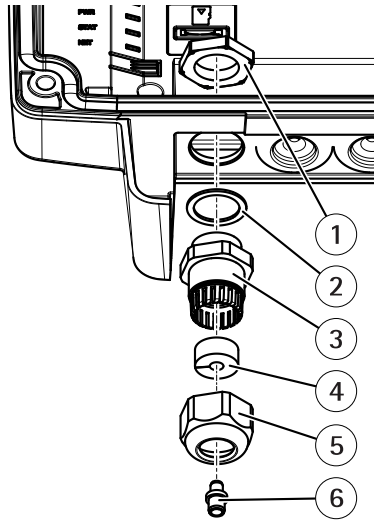
ATTENTION

Risque de fuites d'eau.

- Ne tirez qu'un seul câble à travers le presse-étoupe.

AXIS D2110-VE Security Radar

- Utilisez un câble d'un diamètre compris entre 5 et 6 mm (0,2 et 0,24 po).



- 1 Écrou
- 2 Joint
- 3 Boîtier
- 4 Joint
- 5 Capuchon
- 6 Bouchon (rebut)

16. Raccordez le radar à la terre :

▲AVERTISSEMENT

- Utilisez un câble de mise à la terre avec une section transversale de 1,5 à 4 mm² (AWG 16–11).
- Le réducteur de tension est conçu pour les câbles d'un diamètre compris entre 8,5 et 9,5 mm (0,33 et 0,37 po). Pour utiliser le réducteur de tension sur des câbles de plus petit diamètre, utilisez le presse-étoupe fourni avec le réducteur de tension.

16.1 Retirez la vis et le couvercle.

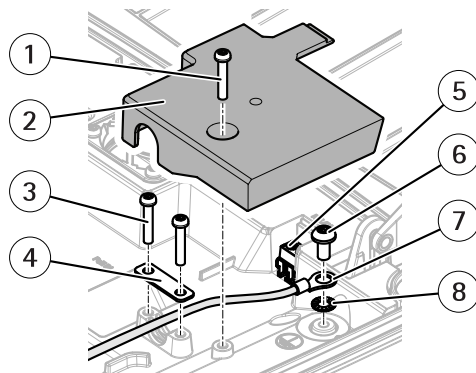
16.2 Connectez l'équipement externe au connecteur relais.

16.3 Retirez la vis de mise à la terre.

16.4 Fixez le câble de terre à la cosse de câble à l'aide de pinces à sertir pour cosses de câble.

16.5 Fixez la rondelle et la cosse de câble avec la vis.

- 16.6 Pour contrôler un équipement électrique externe depuis le radar, raccordez les câbles au relais du radar.
- 16.7 Fixez le câble avec le réducteur de tension.
- 16.8 Fixez le couvercle avec la vis.



- 1 Vis
- 2 Couvercle
- 3 Vis
- 4 Réducteur de tension
- 5 Connecteur relais
- 6 Vis de mise à la terre
- 7 Cosse de câble
- 8 Rondelle

17. Connectez les périphériques externes au radar.
18. Branchez le câble réseau.
19. Si vous n'utilisez pas PoE, branchez l'alimentation CC.

ATTENTION

Risque de dommages au périphérique. Ne mettez pas le périphérique sous tension avec PoE et CC.

20. Vérifiez que les voyants indiquent l'état correct. Cf. *Voyants DEL* à la page 45.
21. Retirez l'entretoise et fermez le couvercle.
22. Serrez les quatre vis avec un couple de serrage de 1 Nm (0,7 lb ft).

Trouver le périphérique sur le réseau

Pour trouver les périphériques Axis présents sur le réseau et leur attribuer des adresses IP sous Windows®, utilisez AXIS IP Utility ou AXIS Device Manager. Ces applications sont gratuites et peuvent être téléchargées via axis.com/support.

Pour plus d'informations sur la détection et l'assignation d'adresses IP, accédez à *Comment assigner une adresse IP et accéder à votre périphérique*.

Prise en charge du navigateur

Vous pouvez utiliser le périphérique avec les navigateurs suivants :

	Chrome™	Firefox®	Edge™	Safari®
Windows®	recommandé	recommandé	✓	
macOS®	recommandé	recommandé	✓	✓
Linux®	recommandé	recommandé	✓	
Autres systèmes d'exploitation	✓	✓	✓	✓*

Pour utiliser l'interface Web AXIS OS avec iOS 15 ou iPadOS 15, accédez à **Settings > Safari > Advanced > Experimental Features (Paramètres > Safari > Avancé > Fonctionnalités expérimentales) et désactivez NSURLConnection Websocket.*

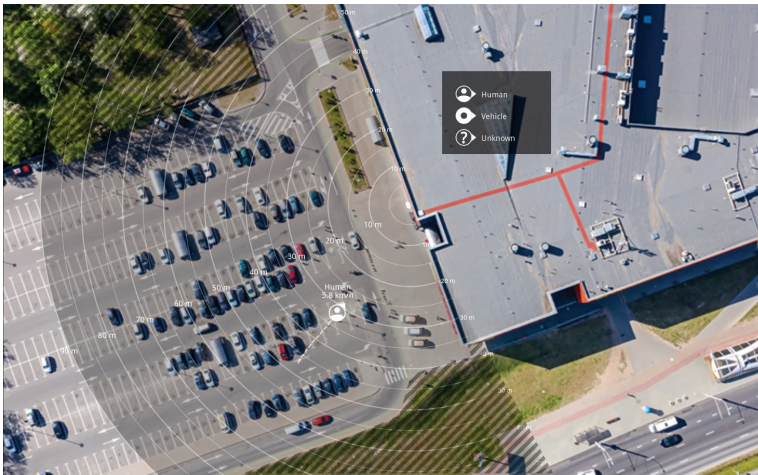
Pour plus d'informations sur l'utilisation du périphérique, consultez le manuel d'utilisation disponible sur le site axis.com.

Calibrage de la carte

Le radar est prêt à l'emploi dès qu'il est installé. La vidéo en direct par défaut montre la couverture du radar et tout mouvement détecté, et vous pouvez ajouter immédiatement des zones de détection et des règles.

Si le radar est monté à 3,5 m (11 pi.) au-dessus du sol, aucune autre action n'est nécessaire.
Si le radar est monté à une hauteur différente, vous devez calibrer le radar pour compenser la hauteur de montage.

FR



Pour voir plus facilement où se trouvent les objets en mouvement, vous pouvez télécharger une carte de référence, par exemple un plan de base ou une photo aérienne, qui indique la zone couverte par le radar.

Exigences relatives à l'image :

- Les formats de fichiers pris en charge sont jpeg et png.
- L'image peut être recadrée dans le radar.
- L'image peut être pivotée à $\pm 35^\circ$ dans le radar.
- L'orientation n'est pas importante, étant donné que la forme de la couverture radar évoluera pour s'adapter à l'image pendant le calibrage.

Après avoir téléchargé la carte de référence, vous devez calibrer la carte de référence de sorte que la couverture réelle du radar corresponde à la position, à la direction et à l'échelle de la carte de référence.

Le calibrage est effectué dans l'interface web en cliquant dans la carte de référence. Vous n'avez pas besoin d'un accès physique au site.

AXIS D2110-VE Security Radar

Pour plus d'informations sur le calibrage, reportez-vous au manuel d'utilisation sur axis.com

Réinitialiser les paramètres par défaut

Important

La réinitialisation aux paramètres par défaut doit être utilisée avec prudence. Cette opération restaure tous les paramètres par défaut, y compris l'adresse IP.

Pour réinitialiser l'appareil aux paramètres d'usine par défaut :

FR

1. Déconnectez l'alimentation de l'appareil.
2. Maintenez le bouton de commande enfoncé en remettant l'appareil sous tension. Cf. *Vue d'ensemble du produit à la page 32*.
3. Maintenez le bouton de commande enfoncé pendant 15 à 30 secondes, jusqu'à ce que le voyant d'état clignote en orange.
4. Relâchez le bouton de commande. Le processus est terminé lorsque le voyant d'état passe au vert. Les paramètres d'usine par défaut de l'appareil ont été rétablis. En l'absence d'un serveur DHCP sur le réseau, l'adresse IP par défaut est 192 . 168 . 0 . 90.
5. Utilisez les outils d'installation et de gestion pour attribuer une adresse IP, configurer le mot de passe et accéder au flux de données vidéo.

Les logiciels d'installation et de gestion sont disponibles sur les pages d'assistance du site axis.com/support.

Vous pouvez également restaurer les paramètres par défaut à partir de l'interface Web. Accédez à **Settings > System > Maintenance (Paramètres > Système > Maintenance)** , puis cliquez sur **Default (Par défaut)**.

Informations supplémentaires

- Le guide d'installation et le manuel d'utilisation du périphérique sont disponibles sur axis.com.
- Pour vérifier s'il existe une version de firmware mise à jour pour votre périphérique, consultez axis.com/support.
- Pour en savoir plus sur les formations, les webinaires, les tutoriels et les guides, visitez le site axis.com/academy.

Accessoires en option

Pour une liste complète des accessoires disponibles pour ce produit, accédez à la page du produit sur axis.com et sélectionnez Logiciel et accessoires.

- AXIS T91R61 Wall Mount
- AXIS T91B47 Pole Mount
- AXIS T94R01B Corner Bracket

Specifications

Voyants DEL

Voyant d'état	Indication
Vert	Vert et fixe en cas de fonctionnement normal.

Voyant DEL réseau	Indication
Vert	Fixe en cas de connexion à un réseau de 1 Gbit/s. Clignote en cas d'activité réseau.
Orange	Fixe en cas de connexion à un réseau de 10/100 Mbit/s. Clignote en cas d'activité réseau.
Éteint	Pas de connexion réseau.

Voyant d'alimentation	Indication
Vert	Fonctionnement normal.

LED sortie PoE	Indication
Éteint	Sortie PoE désactivée
Vert	Sortie PoE activée

Emplacement pour carte SD

Pour des recommandations sur les cartes SD, rendez-vous sur axis.com.

Boutons

Bouton de commande

Pour connaître l'emplacement du bouton de commande, consultez *Vue d'ensemble du produit à la page 32*.

Le bouton de commande permet de réaliser les opérations suivantes :

- Réinitialisation du produit aux paramètres d'usine par défaut. Cf. *page 43*.

Connecteurs

Connecteur réseau

Connecteur Ethernet RJ45 avec l'alimentation par Ethernet Plus (PoE+).

⚠ATTENTION

Risque de dommages au périphérique. Ne mettez pas le périphérique sous tension avec PoE et CC.

Connecteur réseau (sortie PoE)

Power over Ethernet IEEE 802.3at type 2, max 30 W

Utilisez ce connecteur pour alimenter un autre périphérique PoE, par exemple une caméra, un haut-parleur à pavillon ou un deuxième radar de sécurité.

Remarque

La sortie PoE est activée lorsque le radar est alimenté par un injecteur de 60 W (Power over Ethernet IEEE 802.3bt, type 3).

Remarque

Si le radar est alimenté par un injecteur de 30 W ou une alimentation CC, la sortie PoE est désactivée.

Remarque

La longueur maximale du câble Ethernet est de 100 m au total en combinant la sortie PoE et l'entrée PoE. Vous pouvez l'augmenter avec un prolongateur PoE.

Remarque

Si le dispositif PoE connecté nécessite plus de 30 W, vous pouvez ajouter un injecteur de 60 W entre le port de sortie PoE sur le radar et le dispositif. L'injecteur alimentera le dispositif tandis que le radar de sécurité fournira la connexion Ethernet.

Connecteur d'E/S

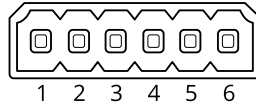
Utilisez le connecteur d'E/S avec des périphériques externes associés à des applications telles que le déclenchement d'événements et les notifications d'alarme. En plus du point de référence 0 V CC et de l'alimentation (sortie CC), le connecteur d'E/S fournit une interface aux éléments suivants :

Entrée numérique – Pour connecter des dispositifs pouvant passer d'un circuit ouvert à un circuit fermé, par exemple capteurs infrarouge passifs, contacts de porte/fenêtre et détecteurs de bris de verre.

Sortie numérique – Permet de connecter des dispositifs externes, comme des relais ou des voyants. Les appareils connectés peuvent être activés par l'interface de programmation VAPIX®, via un événement ou à partir de la page web du produit.

Bloc terminal à 6 broches

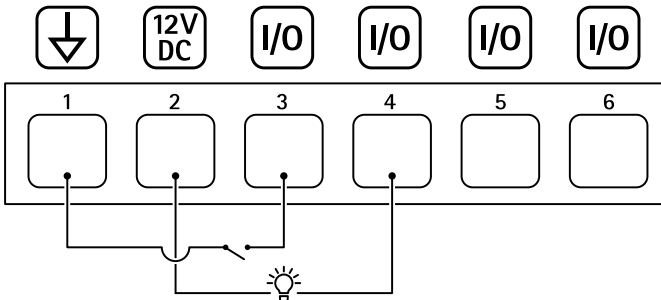
AXIS D2110-VE Security Radar



FR

Fonction	Broche	Remarques	Caractéristiques
Masse du CC	1		0 V CC
Sortie CC	2	Peut servir à alimenter le matériel auxiliaire. Remarque : cette broche ne peut être utilisée que comme sortie d'alimentation.	12 V CC Charge max. = 50 mA
Configurable (entrée ou sortie)	3-6	Entrée numérique - Connectez-vous à la broche 1 pour activer ou laissez non connecté pour désactiver.	0 à 30 V CC max.
		Sortie numérique - Connexion interne à la broche 1 (terre CC) en cas d'activation, et flottante (déconnectée) en cas de désactivation. En cas d'utilisation avec une charge inductive, par exemple un relais, connectez une diode en parallèle à la charge pour assurer la protection contre les transitoires de tension.	0 à 30 V CC max., drain ouvert, 100 mA

Exemple



- 1 Masse du CC
- 2 Sortie CC 12 V, maxi. 50 mA
- 3 Entrée/sortie configurée comme entrée
- 4 Entrée/sortie configurée comme sortie

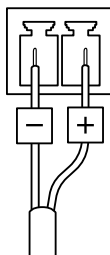
AXIS D2110-VE Security Radar

5 E/S configurable

6 E/S configurable

Connecteur d'alimentation

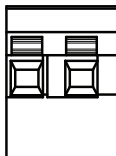
Bloc terminal à 2 broches pour l'entrée d'alimentation CC. Utilisez une source d'alimentation limitée (LPS) conforme aux exigences de Très basse tension de sécurité (TBTS) de 8 à 28 V CC avec une puissance de sortie nominale limitée à ≤ 100 W.



⚠ ATTENTION

Risque de dommages au périphérique. Ne mettez pas le périphérique sous tension avec PoE et CC.

Connecteur relais



⚠ ATTENTION

Utilisez des fils à brin unique pour le connecteur relais.

Fonction	Caractéristiques
Type	Normalement ouvert
Certification	24 V CC/5 A
Isolation des autres circuits	2,5 kV

Interrupteur d'alarme d'intrusion

Utilisez le commutateur d'alarme d'intrusion pour obtenir une notification lorsqu'une personne ouvre le boîtier du périphérique. Pour configurer une règle d'action, consultez le manuel d'utilisation disponible sur axis.com.

Informations sur la sécurité

Niveaux de risques

▲ DANGER

Indique une situation dangereuse qui, si elle n'est pas évitée, entraînera le décès ou des blessures graves.

▲ AVERTISSEMENT

Indique une situation dangereuse qui, si elle n'est pas évitée, pourrait entraîner le décès ou des blessures graves.

▲ ATTENTION

Indique une situation dangereuse qui, si elle n'est pas évitée, pourrait entraîner des blessures légères ou modérées.

REMARQUE

Indique une situation qui, si elle n'est pas évitée, pourrait endommager l'appareil.

Autres niveaux de message

Important

Indique les informations importantes, nécessaires pour assurer le bon fonctionnement de l'appareil.

Remarque

Indique les informations utiles qui permettront d'obtenir le fonctionnement optimal de l'appareil.

Consignes de sécurité

⚠ DANGER

Risque de choc électrique. Tous les câbles doivent être mis hors tension avant l'installation ou une intervention de maintenance sur le produit.

⚠ AVERTISSEMENT

Le produit Axis doit être installé par un professionnel qualifié et conformément aux lois et réglementations locales en vigueur.

⚠ ATTENTION

Faire attention aux bords métalliques coupants. Pour éviter de vous couper, porter des gants de protection anti-coupures pendant l'installation.

REMARQUE

- Le produit Axis doit être utilisé conformément aux lois et règlements locaux.
- Axis recommande d'utiliser un câble réseau blindé (STP).
- Axis recommande d'utiliser un câble réseau de catégorie CAT6 ou supérieure.
- Conserver ce produit Axis dans un environnement sec et ventilé.
- Ne pas exposer ce produit Axis aux chocs ou aux fortes pressions.
- Ne pas exposer ce produit Axis aux vibrations.
- Ne pas installer ce produit sur des poteaux, supports, surfaces ou murs instables.
- Ne pas installer ce produit sur des poteaux, supports, surfaces ou murs soumis à des vibrations.
- Utiliser uniquement des outils recommandés pour l'installation de l'appareil Axis. L'application d'une force excessive sur l'appareil avec des outils puissants pourrait l'endommager.
- Ne pas utiliser de produits chimiques, de substances caustiques ou de nettoyeurs pressurisés.
- Utiliser un chiffon propre imbibé d'eau pure pour le nettoyage.
- Utiliser uniquement des accessoires conformes aux caractéristiques techniques de votre produit. Ils peuvent être fournis par Axis ou un tiers. Axis recommande d'utiliser un équipement d'alimentation Axis compatible avec votre produit.
- Utiliser uniquement les pièces de rechange fournies ou recommandées par Axis.
- Ne pas essayer de réparer vous-même ce produit. Contacter l'assistance technique d'Axis ou votre revendeur Axis pour des problèmes liés à l'entretien.
- Utilisez un câble de mise à la terre de couleur jaune/vert d'au moins 1,5 mm² ou 15 AWG.

Transport

REMARQUE

- Lors du transport du produit Axis, utilisez l'emballage d'origine ou un équivalent pour éviter d'endommager le produit.

Batterie

Le produit Axis utilise une batterie au lithium BR2032 3,0 V comme alimentation de son horloge en temps réel interne (RTC). Dans des conditions normales, cette batterie a une durée de vie minimale de cinq ans.

Si la batterie est faible, le fonctionnement de l'horloge en temps réel peut être affecté et entraîner sa réinitialisation à chaque mise sous tension. Un message enregistré apparaît dans le rapport de serveur du produit lorsque la tension de la batterie est basse.

ATTENTION

Ne remplacez pas la batterie vous-même. Contactez le support Axis si le message du journal demande un changement de batterie.

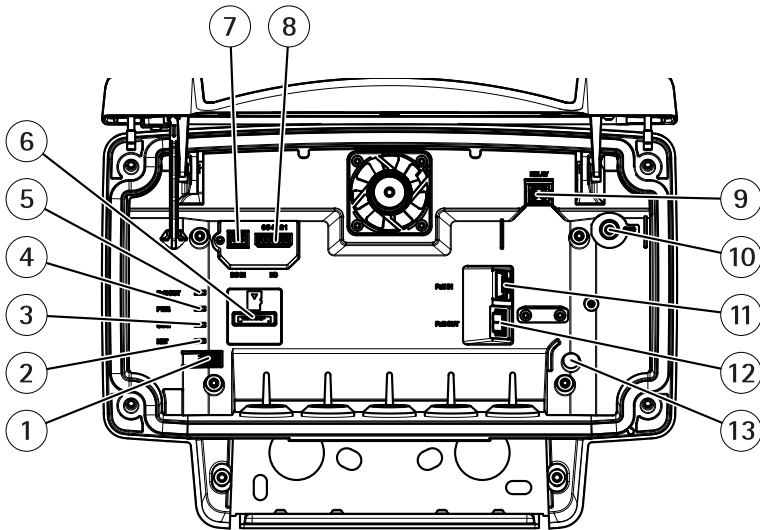
Les piles boutons 3,0 V au lithium contiennent du 1,2-diméthoxyéthane, éthylène glycol diméthyl éther (EGDME), CAS n° 110-71-4.

Lieferumfang

- AXIS D2110-VE Sicherheitsradar
- Montagehalterung
- Rohradapter (2 St.)
- Schraube T30 (4 St.) für Masthalterung
- Schraubendreher Torx® TR20
- Montagewerkzeug für RJ-45
- Kabelschuh
- Sicherungsscheibe
- Kabeldichtung, grau (2 St.)
- Kabeldichtung, schwarz (2 St.)
- Kabelverschraubung
- Sechspoliger E/A-Anschlussblock zum Anschließen externer Geräte
- Ersatzstrebe
- Gedruckte Dokumente
 - Installationsanleitung (dieses Dokument)
 - Zusätzliche Etiketten mit der Seriennummer (2 St.)
 - AVHS-Authentifizierungsschlüssel
 - Bohrschablone
 - Aufkleber Radarüberwachung

AXIS D2110-VE Security Radar

Produktübersicht



- 1 Steuertaste
- 2 Netzwerk LED
- 3 Status LED
- 4 Netz-LED
- 5 PoE-Ausgang-LED
- 6 Einschub für microSD-Karte
- 7 Netzanschluss (Gleichstrom)
- 8 E/A-Anschluss
- 9 Relaisanschluss
- 10 Erdungsschraube
- 11 Netzwerk-Anschluss (PoE in)
- 12 Netzwerk-Anschluss (PoE out)
- 13 Einbruchalarmsensor

Für die technischen Daten siehe *Technische Daten auf Seite 69*.

Der Installationsort des Produkts

- Das Radar ist für die Überwachung offener Bereiche bestimmt. Jedes feste Objekt (z.B. eine Mauer, ein Zaun, ein Baum oder ein großer Busch) im Erfassungsbereich erzeugt einen toten Winkel (Radarschatten) hinter ihm.
- Installieren Sie den Radar auf einem stabilen Mast oder an einer Stelle an einer Wand, an der keine weitere Objekte oder Installationen befinden. Objekte innerhalb eines Radius von 1 m links und 3 m rechts des Radars reflektieren Radiowellen und beeinflussen die Leistung des Radars.
- Metallobjekte im Sichtfeld verursachen Reflexionen, die die Klassifizierungsfähigkeit des Radars beeinträchtigen.
- Weitere Informationen finden Sie im Benutzerhandbuch auf axis.com, wenn Sie mehr als zwei Radargeräte in derselben Zone installieren möchten.

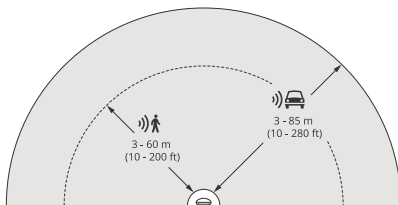
Erfassungsbereich

Der Erfassungsbereich ist die Entfernung, in der ein Objekt verfolgt werden und einen Alarm auslösen kann. Sie wird von der **Naherfassungsgrenze** aus (wie nahe am Gerät kann eine Erfassung stattfinden) bis zu einem **Fernerfassungswert** (bis zu welcher Entfernung kann das Gerät etwas erfassen) gemessen werden.

Das **Profil zur Bereichsüberwachung** ist für die Erfassung von Menschen optimiert. Es damit jedoch auch Fahrzeuge und andere Objekte, die sich bei einer Abweichung von ± 2 km/h mit bis zu 55 km/h bewegen.

Bei Montage in optimaler Installationshöhe sehen die Erfassungsbereiche wie folgt aus:

- 3–60 m bei der Erfassung eines Menschen
- 3–85 m bei der Erfassung eines Fahrzeugs



Hinweis

- Wenn das Produkt in anderer Höhe montiert wird, geben Sie beim Kalibrieren des Radars über die Weboberfläche des Produktes die tatsächliche Höhe ein.
- Der Erfassungsbereich wird von der Szene beeinflusst.
- Der Erfassungsbereich wird von benachbarten Radargeräten beeinflusst.

AXIS D2110-VE Security Radar

- Der Erfassungsbereich wird vom Objekttyp beeinflusst.

Der Erfassungsbereich wurde unter folgenden Bedingungen gemessen:

- Der Bereich wurde entlang des Bodens gemessen.
- Das Objekt war eine 170 cm große Person.
- Die Person ging geradeaus vor dem Radar.
- Die Werte werden gemessen, wenn die Person in den Erfassungsbereich eindringt.
- Die Radarempfindlichkeit wurde auf **Medium (Mittel)** eingestellt.

Montagehöhe	0° Neigung	10° Neigung	20° Neigung
2,5 m	3,0–60 m	Nicht empfohlen	Nicht empfohlen
3,5 m	3,0–60 m	Nicht empfohlen	Nicht empfohlen
4,5 m	4,0–60 m	Nicht empfohlen	Nicht empfohlen
5,5 m	7,5–60 m	Nicht empfohlen	Nicht empfohlen
6,5 m	7,5–60 m	5,5–60 m	Nicht empfohlen
8 m	Nicht empfohlen	9–60 m	7,5–30 m
10 m	Nicht empfohlen	15–60 m	9–35 m
12 m	Nicht empfohlen	23–60 m	13–38 m
14 m	Nicht empfohlen	27–60 m	17–35 m
16 m	Nicht empfohlen	Nicht empfohlen	25–50 m

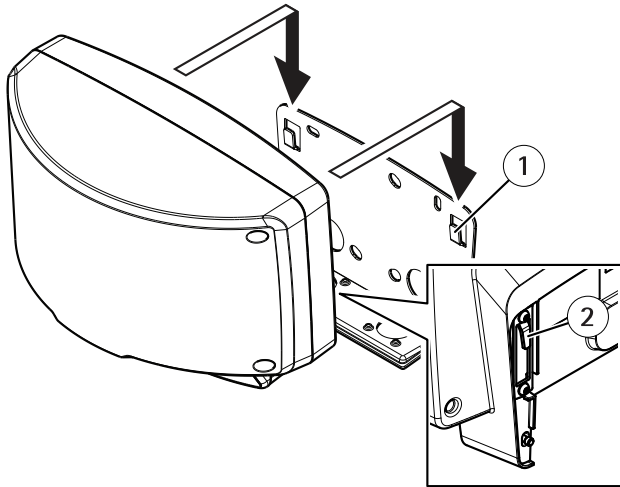
Installieren des Produkts

1. Mithilfe der Bohrschablone Löcher in die Wand bohren.
2. Die Montagehalterung an der Wand anbringen.
3. Das Netzwerk-Kabel durch die Wandhalterung führen. Für den Radaranschluss ca. 30 cm Kabel zugeben.

⚠VORSICHT

Risiko, dass Wasser eindringt.

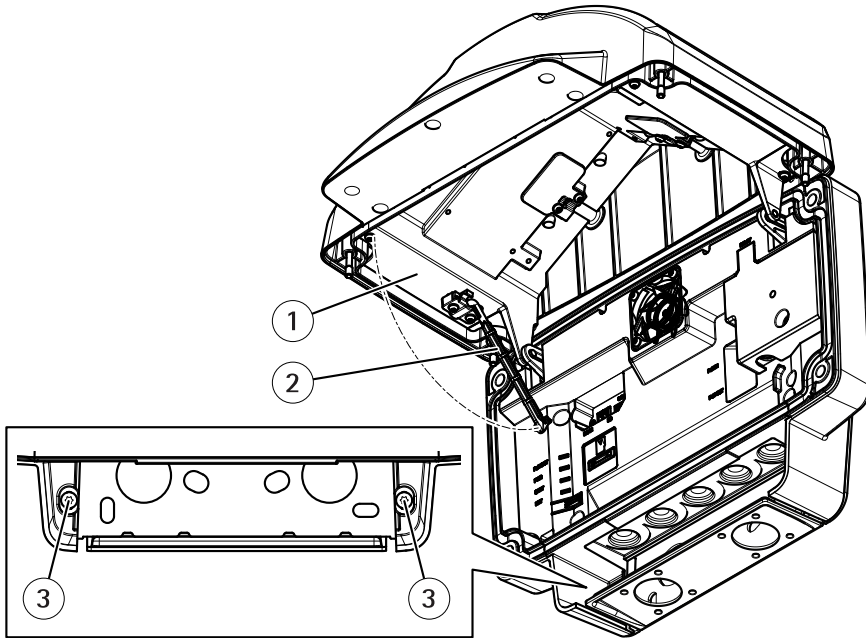
- Verwenden Sie keine Netzwerk-Kabel, die Stecker mit Deckeln aufweisen, da sie zum Reißen der Kabeldichtung führen können.
 - Verwenden Sie Kabel mit einem Durchmesser von 5 bis 9,5 mm.
4. Um ein Zusatzgerät, wie z. B. ein E/A-Gerät oder eine PTZ-Kamera anzuschließen, wiederholen Sie den obigen Schritt für jedes Kabel.
 5. Radar an der Montagehalterung mit den Haken anbringen.



- 1 *Haken, Halterungsseite*
- 2 *Haken, Radarseite*

6. Schrauben an der Abdeckung lösen und diese öffnen.
7. Die Strebe sollte in der Position einrasten, um die Abdeckung in ihrer geöffneten Position zu fixieren.
8. Die Schrauben mit einem Drehmoment von 1 Nm anziehen.

AXIS D2110-VE Security Radar



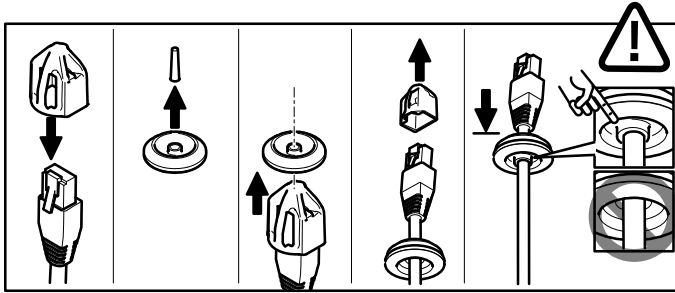
- 1 Abdeckung
- 2 Strebe
- 3 Schraube (2 St.)

9. Wenn eine microSD-Karte als lokaler Speicher verwendet wird, die Karte in den microSD-Karteneinschub des Radars einsetzen.
10. Die linke Kabeldichtung entfernen und die Lasche ziehen, um eine Öffnung für das Netzwerk-Kabel zu schaffen.

⚠VORSICHT

Risiko, dass Wasser eindringt.

- Nur offene Bohrungen in Kabeldichtungen, die verwendet werden.
 - Wenn eine Kabeldichtung zerrissen ist, ersetzen Sie diese durch eine neue Kabeldichtung.
11. Das Netzwerk-Kabel durch die Kabeldichtung führen.

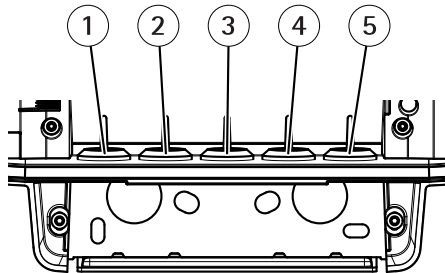


12. Ziehen Sie das Netzwerk-Kabel ein wenig zurück, bis die Kabeldichtung bündig um das Kabel sitzt.

⚠VORSICHT

Risiko, dass Wasser eindringt. Wenn die Kabeldichtung nicht ordnungsgemäß am Kabel angebracht wird, kann Wasser eindringen und das Produkt beschädigen.

13. Die Kabeldichtung in Ausgangslage bringen.
 14. Beim Anschließen eines Zusatzgeräts, wie etwa einem E/A-Gerät, die oben aufgeführten Schritte auf das jeweilige Gerät bezogen durchführen. Wenn mehr als ein Kabel verwendet wird, muss jedes Kabel durch eine separate Kabeldichtung geführt werden.



- 1 *Netzwerk*
- 2 *PoE-Ausgang zu Netzwerkgerät*
- 3 *Stromversorgung*
- 4 *E/A*
- 5 *Masse/Relais*

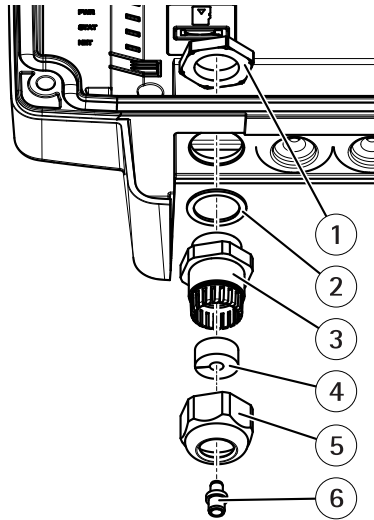
15. Eine Kabelverschraubung mit Zugentlastung wie oben gezeigt zusammenbauen. Die Mutter und Kappe der Kabelverschraubung handfest anziehen.

⚠VORSICHT

Risiko, dass Wasser eindringt.

AXIS D2110-VE Security Radar

- Nur ein Kabel durch die Kabelverschraubung ziehen.
- Verwenden Sie ein Kabel mit einem Durchmesser von 5 bis 6 mm.



- 1 Mutter
- 2 Dichtung
- 3 Gehäuse
- 4 Dichtung
- 5 Kappe
- 6 Stopfen (entsorgen)

16. Erdung des Radars:

⚠ WARNUNG

- Verwenden Sie ein Erdungskabel mit 1,5 bis 4 mm² Durchmesser (AWG 16–11).
- Die Zugentlastung ist für Kabel mit einem Durchmesser von 8,5 bis 9,5 mm ausgelegt. Verwenden Sie die mitgelieferte Kabelverschraubung mit Zugentlastung, um bei kleineren Kabeldurchmessern die Zugentlastung zu nutzen.

16.1 Die Schraube und die Abdeckung entfernen.

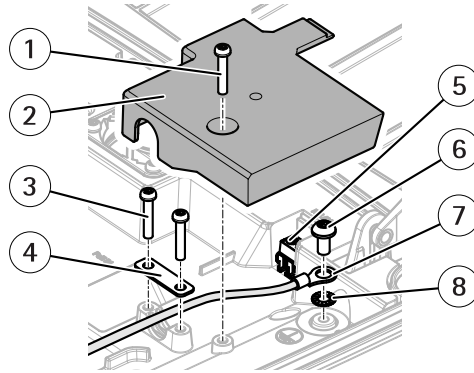
16.2 Das externe Gerät an den Relaisanschluss anschließen.

16.3 Die Erdungsschraube entfernen.

16.4 Das Erdungskabel mithilfe der Kabelschuh-Zange am Kabelschuh befestigen.

16.5 Die Unterlegscheibe und den Kabelschuh mit der Schraube befestigen.

- 16.6 Die Kabel am Radarrelais anschließen, um externe elektrische Geräte vom Radar zu steuern.
- 16.7 Das Kabel mit der Zugentlastung befestigen.
- 16.8 Die Abdeckung mit der Schraube befestigen.



- 1 Schraube
- 2 Abdeckung
- 3 Schraube
- 4 Zugentlastung
- 5 Relaisanschluss
- 6 Erdungsschraube
- 7 Kabelschuh
- 8 Unterlegscheibe

17. Die externen Geräte an den Radar anschließen.
18. Das Netzwerk-Kabel anschließen.
19. Wenn Sie PoE nicht verwenden, schließen Sie die Gleichstromversorgung an.

▲VORSICHT

Risiko, dass das Gerät beschädigt wird. Versorgen Sie das Gerät nicht sowohl mit PoE als auch mit Gleichstrom.

20. Sicherstellen, dass die LEDs die Betriebszustände entsprechend anzeigen. Siehe *LED-Anzeigen auf Seite 69*.
21. Strebe herausziehen und die Abdeckung schließen.
22. Die vier Schrauben mit einem Drehmoment von 1 Nm anziehen.

Das Gerät im Netzwerk ermitteln

Mit AXIS IP Utility und AXIS Device Manager die Axis Geräte im Netzwerk ermitteln und ihnen unter Windows® IP-Adressen zuweisen. Beide Anwendungen sind kostenlos und können von axis.com/support heruntergeladen werden.

Weitere Informationen zum Zuweisen von IP-Adressen finden Sie unter *Zuweisen von IP-Adressen und Zugreifen auf das Gerät*.

Unterstützte Browser

Das Gerät kann mit den folgenden Browsern verwendet werden:

	Chrome™	Firefox®	Edge™	Safari®
Windows®	empfohlen	empfohlen	✓	
macOS®	empfohlen	empfohlen	✓	✓
Linux®	empfohlen	empfohlen	✓	
Andere Betriebssysteme	✓	✓	✓	✓*

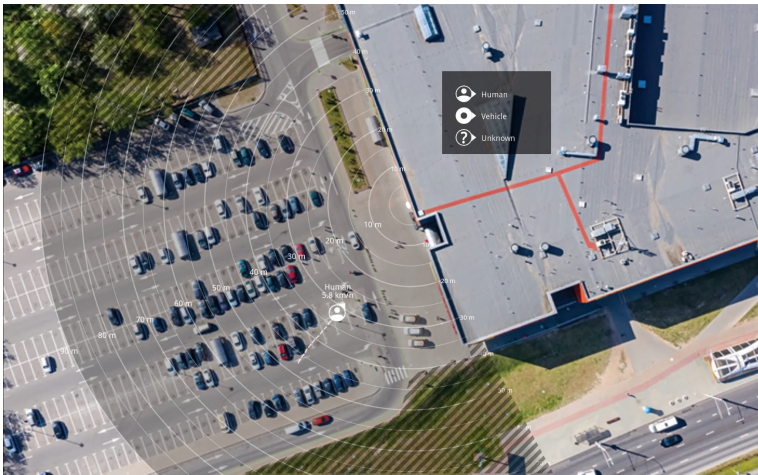
Um die Weboberfläche von AXIS OS mit iOS 15 oder iPadOS 15 zu verwenden, deaktivieren Sie unter **Settings (Einstellungen) > Safari > Advanced (Erweitert) > Experimental Features (Experimentelle Funktionen) die Option NSURLSession Websocket.*

Weitere Informationen zur Verwendung des Geräts finden Sie im Benutzerhandbuch auf axis.com.

Kartenkalibrierung

Das Radargerät ist nach abgeschlossener Installation sofort einsatzbereit. In der Standard-Live-Ansicht werden der vom Radar abgedeckte Bereich und erfasste Bewegungen dargestellt. Erfassungszonen und Regeln können sofort hinzugefügt werden.

Wenn das Radar 3,5 m über dem Boden angebracht ist, müssen Sie nichts weiter tun. Wenn der Radar in einer anderen Höhe montiert ist, müssen Sie diesen kalibrieren, um die Montagehöhe zu kompensieren.



DE

Um die Bewegungsrichtung der Objekte leichter einordnen zu können, kann eine Referenzkarte hochgeladen werden. Dies kann zum Beispiel eine Planzeichnung oder ein Luftbild sein, das die vom Radar abgedeckte Fläche darstellt.

Bildvorgaben:

- Die unterstützten Dateiformate sind .jpg und .png.
- Das Bild kann im Radar zugeschnitten werden.
- Das Bild kann im Radar um $\pm 35^\circ$ gedreht werden.
- Die Ausrichtung ist nicht von Bedeutung, da die Form der Radarabdeckung während der Kalibrierung an das Bild angepasst wird.

Nach dem Hochladen muss die Referenzkarte möglicherweise kalibriert werden, damit die Position, die Ausrichtung und der Maßstab mit der tatsächlich vom Radar abgedeckten Fläche übereinstimmen.

Die Kalibrierung erfolgt über die Weboberfläche durch Anklicken der Referenzkarte. Sie benötigen keinen physischen Zutritt zum Standort.

AXIS D2110-VE Security Radar

Weitere Informationen zur Kalibrierung finden Sie im Benutzerhandbuch auf axis.com

Zurücksetzen auf die Werkseinstellungen

Wichtig

Das Zurücksetzen auf die Werkseinstellungen sollte mit Vorsicht erfolgen. Beim Zurücksetzen auf die Werkseinstellungen werden alle Einstellungen einschließlich der IP-Adresse zurückgesetzt.

So wird das Produkt auf die werksseitigen Standardeinstellungen zurückgesetzt:

1. Trennen Sie das Produkt von der Stromversorgung.
2. Halten Sie die Steuertaste gedrückt und stellen Sie die Stromversorgung wieder her. Siehe *Produktübersicht auf Seite 56*.
3. Halten Sie die Steuertaste etwa 15 bis 30 Sekunden gedrückt, bis die Status-LED gelb blinkt.
4. Lassen Sie die Steuertaste los. Der Vorgang ist abgeschlossen, wenn die Status-LED grün leuchtet. Das Produkt wurde auf die Werkseinstellungen zurückgesetzt. Wenn im Netzwerk kein DHCP-Server verfügbar ist, lautet die Standard-IP-Adresse 192.168.0.90.
5. Verwenden Sie die Software-Tools für Installation und Verwaltung, um eine IP-Adresse zuzuweisen, ein Kennwort einzurichten und auf den Videostream zuzugreifen.
Die Softwaretools für die Installation und Verwaltung stehen auf den Supportseiten unter axis.com/support zur Verfügung.

Die Parameter können auch über die Weboberfläche auf die Werkseinstellungen zurückgesetzt werden. Den folgenden Optionspfad aufrufen: **Settings > System > Maintenance (Einstellungen > System > Wartung)** und dann die Option **Default (Standardeinstellung)** anklicken.

Weitere Informationen

- Installationsanleitung und Benutzerhandbuch des Geräts finden Sie unter *axis.com*.
- Unter *axis.com/support* finden Sie die aktuelle Firmwareversion für Ihr Gerät.
- Nützliche Schulungen, Webinare, Anleitungen und Leitfäden finden Sie unter *axis.com/academy*.

Optionales Zubehör

Eine vollständige Liste lieferbaren Zubehörs für dieses Produkt finden Sie auf *axis.com* unter Produkt, Software und Zubehör.

- AXIS T91R61 Wall Mount
- AXIS T91B47 Pole Mount
- AXIS T94R01B Corner Bracket

Technische Daten

LED-Anzeigen

Status-LED	Anzeige
Grün	Leuchtet bei Normalbetrieb grün.

Netzwerk LED	Anzeige
Grün	Leuchtet bei Verbindung mit einem 1 GBit/s-Netzwerk. Blinkt bei Netzwerkaktivität.
Gelb	Leuchtet konstant bei Verbindung mit einem 10/100 MBit/s-Netzwerk. Blinkt bei Netzwerkaktivität
Leuchtet nicht	Keine Netzwerk-Verbindung vorhanden

Netz-LED	Bedeutung
Grün	Normaler Betrieb

PoE-Ausgang-LED	Anzeige
Leuchtet nicht	PoE-Ausgang ausgeschaltet
Grün	PoE-Ausgang eingeschaltet

Einschub für SD-Speicherkarte

Für Empfehlungen zu SD-Karten siehe axis.com.

Tasten

Steuertaste

Zur Lage der Steuertaste, siehe *Produktübersicht auf Seite 56*.

Die Steuertaste hat folgende Funktionen:

- Zurücksetzen des Produkts auf die Werkseinstellungen. Siehe *Seite 67*.

Anschlüsse

Netzwerk-Anschluss

RJ45-Ethernetanschluss mit Power over Ethernet Plus (PoE+).

⚠VORSICHT

Risiko, dass das Gerät beschädigt wird. Versorgen Sie das Gerät nicht sowohl mit PoE als auch mit Gleichstrom.

Netzwerk-Anschluss (PoE out)

Power over Ethernet IEEE 802.3at Typ 2, max. 30 W

Mit diesem Anschluss können Sie ein anderes PoE-Gerät mit Strom versorgen, z. B. eine Kamera, einen Hornlautsprecher oder ein zweites Sicherheitsradar.

Hinweis

Der PoE-Ausgang wird aktiviert, wenn das Radar über einen 60-W-Midspan (Power over Ethernet IEEE 802.3bt, Typ 3) versorgt wird.

Hinweis

Wenn das Radar mit einer 30-W-Midspan- oder Gleichstromleistung betrieben wird, wird der PoE-Ausgang deaktiviert.

Hinweis

Die maximale Ethernet-Kabellänge beträgt 100 m insgesamt für PoE-Ausgang und PoE-Eingang kombiniert. Sie können sie mit einem PoE-Extender verlängern.

Hinweis

Wenn für das angeschlossene PoE-Gerät mehr als 30 W erforderlich sind, können Sie zwischen dem PoE-Output auf dem Radargerät und dem Gerät einen 60 W Midspan hinzufügen. Der Midspan stellt die Stromversorgung des Geräts her, während das Sicherheitsradar die Ethernet-Verbindung bietet.

E/A-Anschluss

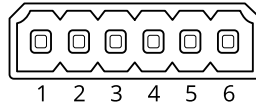
Über den E/A-Anschluss wird Zusatzausrüstung in Verbindung mit Ereignisauslösungen, Alarmbenachrichtigungen und anderen Funktionen angeschaltet. Außer dem Bezugspunkt 0 V Gleichstrom und Strom (Gleichstromausgang) besitzt der E/A-Anschluss eine Schnittstelle zum:

Digitaleingang – Zum Anschluss von Geräten, die zwischen geöffnetem und geschlossenem Schaltkreis wechseln können wie etwa PIR-Sensoren, Tür- und Fensterkontakte sowie Glasbruchmelder.

Digitalausgang – Zum Anschluss externer Geräte wie Relais und LEDs. Die angeschlossenen Geräte können über die Anwendungsprogrammierschnittstelle VAPIX®, ein Ereignis oder die Produktwebseite aktiviert werden.

AXIS D2110-VE Security Radar

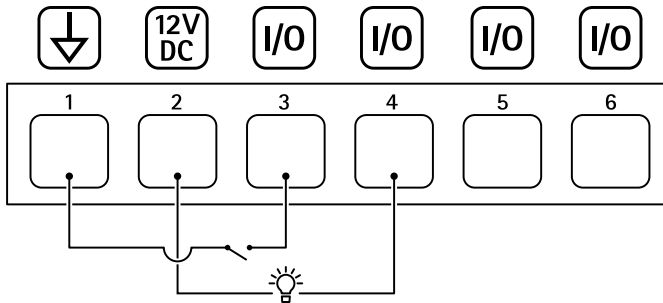
6-poliger Anschlussblock



Funktion	Kontakt	Hinweise	Technische Angaben
Erdung Gleichstrom	1		0 V Gleichstrom
Gleichstromausgang	2	Darf für die Stromversorgung von Zusatzgeräten verwendet werden. Hinweis: Dieser Kontakt darf nur für den Stromausgang verwendet werden.	12 V DC Max. Stromstärke = 50 mA
Konfigurierbar (Ein- oder Ausgang)	3-6	Digitaleingang – Zum Aktivieren an Kontakt 1 anschließen, zum Deaktivieren nicht anschließen.	0 bis max. 30 V Gleichstrom
		Digitaler Ausgang – Interne Verbindung mit Kontakt 1 (Gleichstrom Erdschluss), wenn aktiviert; unverbunden, wenn deaktiviert. Bei Verwendung mit einer induktiven Last, wie etwa einem Relais, muss zum Schutz vor Spannungssprüngen eine Diode parallel zur Last geschaltet werden.	0 bis max. 30 V Gleichstrom, Open-Drain, 100 mA

DE

Beispiel



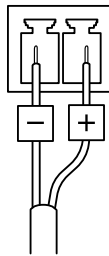
1 Erdung Gleichstrom

AXIS D2110-VE Security Radar

- 2 Gleichstromausgang 12 V, max. 50 mA
- 3 E/A als Eingang konfiguriert
- 4 E/A als Ausgang konfiguriert
- 5 Konfigurierbarer E/A
- 6 Konfigurierbarer E/A

Stromanschluss

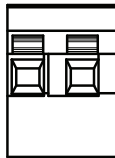
2-poliger Anschlussblock für die Gleichstromversorgung. Verwenden Sie eine mit den Anforderungen für Schutzkleinspannung (SELV) kompatible Stromquelle mit begrenzter Leistung (LPS) mit 8 bis 28 V Gleichstrom und einem dauerhaft auf ≤ 100 W begrenzten Nennausgangsstrom.



⚠ VORSICHT

Risiko, dass das Gerät beschädigt wird. Versorgen Sie das Gerät nicht sowohl mit PoE als auch mit Gleichstrom.

Relaisanschluss



⚠ VORSICHT

Für den Relaisanschluss einadrige Kabel verwenden.

Funktion	Technische Angaben
Typ	Schließer-Kontakt
Nennspannung	24 V DC/5 A
Isolation von anderen Stromkreisen	2,5 kV

Einbruchsalarmschalter

Verwenden Sie den Einbruchsalarmschalter, um eine Benachrichtigung zu erhalten, wenn das Gehäuse des Geräts geöffnet wird. Weitere Informationen zum Einrichten einer Aktionsregel finden Sie im Benutzerhandbuch auf axis.com.

Sicherheitsinformationen

Gefährdungsstufen

▲GEFAHR

Weist auf eine gefährliche Situation hin, welche, falls nicht verhindert, zu Tod oder schweren Verletzungen führen kann.

▲WARNUNG

Weist auf eine gefährliche Situation hin, welche, falls nicht verhindert, zu Tod oder schweren Verletzungen führen kann.

▲VORSICHT

Weist auf eine gefährliche Situation hin, welche, falls nicht verhindert, zu geringfügiger oder mäßiger Verletzung führen kann.

HINWEIS

Weist auf eine gefährliche Situation hin, welche, falls nicht verhindert, zu Sachschäden führen kann.

DE

Andere Meldeebenen

Wichtig

Weist auf wichtige Informationen hin, die den richtigen Betrieb des Produkts gewährleisten.

Hinweis

Weist auf nützliche Informationen hin, die die optimale Verwendung des Produkts unterstützen.

Sicherheitsanweisungen

⚠GEFAHR

Stromschlaggefahr. Vor der Installation oder Wartung des Produkts muss sichergestellt werden, dass an keinem der Kabel Spannung anliegt.

⚠WARNUNG

Das Axis Produkt muss von fachmännisch geschultem Personal und unter Einhaltung der örtlich geltenden Bestimmungen installiert werden.

⚠VORSICHT

Auf scharfe Metallkanten achten. Um Schnittverletzungen zu vermeiden, während der Installation schnittfeste Handschuhe tragen.

HINWEIS

- Das Axis Produkt muss unter Beachtung der geltenden Gesetze und Bestimmungen betrieben werden.
- Axis empfiehlt, ein abgeschirmtes Netzwerk-Kabel (STP) zu verwenden.
- Axis empfiehlt, ein abgeschirmtes Netzwerk-Kabel der Kategorie CAT6 oder höher zu verwenden.
- Lagern Sie das Axis Produkt in einer trockenen und belüfteten Umgebung.
- Das Axis Produkt weder Stößen noch starkem Druck aussetzen.
- Das Axis Produkt keinen Schwingungen aussetzen.
- Das Produkt nicht an instabilen Masten, Halterungen, Oberflächen oder Wänden anbringen.
- Installieren Sie das Produkt nicht an vibrierenden Masten, Halterungen, Oberflächen oder Wänden.
- Verwenden Sie bei der Installation des Axis Produkts ausschließlich passende Werkzeuge. Ein zu großer Kraftaufwand mit elektrischen Werkzeugen kann das Produkt beschädigen.
- Verwenden Sie keine chemischen, ätzenden oder aerosolhaltigen Reinigungsmittel.
- Verwenden Sie zum Reinigen ein sauberes, mit destilliertem Wasser angefeuchtetes Tuch.
- Verwenden Sie nur Zubehör, das den technischen Vorgaben Ihres Produkts entspricht. Dieses ist von Axis oder Drittanbietern erhältlich. Axis empfiehlt die mit Ihrem Produkt kompatible Stromversorgung von Axis.
- Verwenden Sie ausschließlich Ersatzteile die von Axis angeboten oder empfohlen werden.
- Versuchen Sie nicht, dieses Produkt selbsttätig zu reparieren. Wenden Sie sich bezüglich Reparatur und Wartung an den Axis Support oder Ihren Axis Händler.
- Verwenden Sie ein gelb/grün gekennzeichnetes Erdungskabel mit einem Querschnitt von mindestens 1,5 mm².

Transport

HINWEIS

- Bei Bedarf transportieren Sie das Axis Produkt in der Originalverpackung oder einer entsprechenden Verpackung, so dass Schäden vermieden werden.

Batterie

Das Axis Produkt ist mit einer 3,0-V-BR2032-Lithium-Batterie ausgestattet, mit der die interne Echtzeituhr (RTC) versorgt wird. Unter normalen Bedingungen hat die Batterie eine Lebensdauer von mindestens fünf Jahren.

DE

Eine nicht ausreichend geladene Batterie beeinträchtigt den Betrieb der Echtzeituhr, die dann bei jedem Systemstart zurückgesetzt wird. Sie erhalten eine Protokollnachricht im Server-Bericht des Produkts, wenn die Batteriespannung niedrig ist.

⚠VORSICHT

Tauschen Sie die Batterie nicht selbst aus. Wenden Sie sich an den Axis Support, wenn die Protokollnachricht einen Batterietausch anfordert.

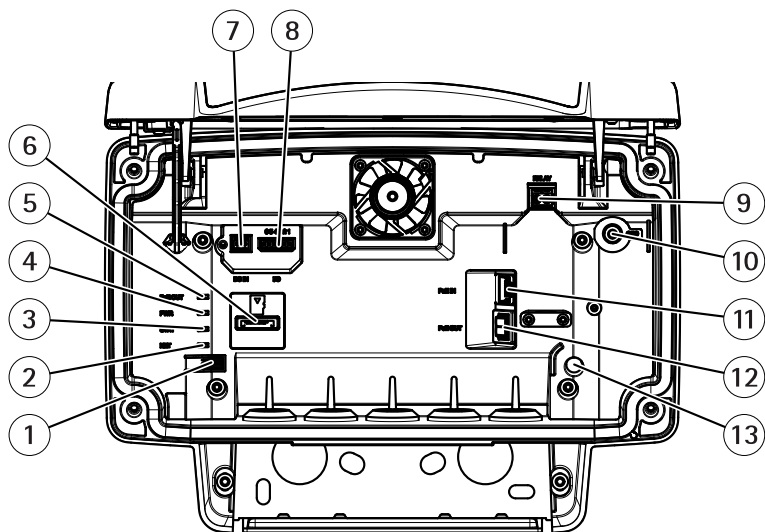
Lithium-Knopfzellen (3,0 V) enthalten 1,2-Dimethoxyethan; Ethylenglycoldimethylether (EGDME), CAS-Nr. 110-71-4.

Contenuto della confezione

- AXIS D2110-VE Security Radar
- Staffa di montaggio
- Adattatore per tubi (2x)
- Vite T30 (4x) per l'uso con il montaggio su palo.
- Cacciavite Torx TR20
- Strumento di montaggio per RJ45
- Capocorda
- Rondella d'arresto
- Guarnizione cavo, grigia (2x)
- Guarnizione cavo, nera (2)
- Pressacavo
- Morsettiera I/O a 6 pin per collegare dispositivi esterni
- Puntello di scorta
- Documentazione
 - Guida all'installazione (il presente documento)
 - Etichetta aggiuntiva con numero di serie (2)
 - Chiave di autenticazione AVHS
 - Sagoma per la foratura
 - Adesivo per la sorveglianza radar

AXIS D2110-VE Security Radar

Panoramica del dispositivo



- 1 Pulsante di comando
- 2 LED di rete
- 3 LED di stato
- 4 Power LED
- 5 LED uscita PoE
- 6 Slot per scheda microSD
- 7 Connettore di alimentazione (CC)
- 8 Connettore I/O
- 9 Connettore relè
- 10 Vite di messa a terra
- 11 Connettore di rete (PoE in)
- 12 Connettore di rete (PoE out)
- 13 Sensore allarme anti intrusione

Per le specifiche tecniche, consultare *Specifiche* alla pagina 92.

Dove installare il dispositivo

- Il radar è destinato a controllare aree aperte. Gli oggetti solidi (ad esempio una parete, una recinzione, un albero o un cespuglio di grandi dimensioni) in quest'area di copertura creeranno un limite di utilizzo (ombra radar) nella parte posteriore.
- Installare il radar su un palo stabile o in un punto su un muro in cui non ci sono altri oggetti o installazioni accanto ad esso. Gli oggetti entro 1 m a sinistra e a destra del radar, che riflettono le onde radio, influiscono sulle prestazioni del radar.
- Gli oggetti metallici nel campo visivo causano riflessi che influiscono sulla capacità del radar di eseguire le classificazioni.
- Per eseguire l'installazione di più di due radar nella stessa zona di coesistenza, consulta il manuale per l'utente all'indirizzo axis.com per maggiori informazioni.

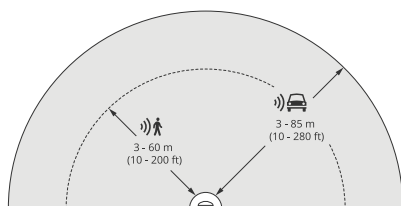
Intervallo di rilevamento area

L'intervallo di rilevamento è la distanza entro la quale un oggetto può essere monitorato e può attivare un allarme. Viene misurato a partire da un **limite di rilevamento vicino** (quanto vicino al dispositivo è possibile eseguire un rilevamento) a un **limite di rilevamento lontano** (quanto lontano dal dispositivo è possibile eseguire un rilevamento).

Il **profilo di monitoraggio dell'area** è ottimizzato per il rilevamento di esseri umani, tuttavia, consentirà inoltre di rilevare veicoli e altri oggetti in movimento fino a 55 km/h con un'accuratezza di velocità di +/- 2 km/h (1.24 mph).

Se montato a un'altezza di installazione ottimale, gli intervalli di rilevamento sono:

- 3 - 60 m per il rilevamento di un essere umano
- 3 - 85 m per il rilevamento di un veicolo



Nota

- Se si installare il radar a un'altezza diversa, inserire l'altezza di montaggio effettiva nelle pagine Web del dispositivo quando di calibra il radar.
- L'intervallo di rilevamento è influenzato dalla scena.
- L'intervallo di rilevamento è influenzato dai radar vicini.

AXIS D2110-VE Security Radar

- L'intervallo di rilevamento è influenzato dal tipo di oggetto.

La portata di rilevamento è stata misurata in queste condizioni:

- La portata è stata misurata sul suolo.
- L'oggetto era una persona alta 170 cm.
- La persona stava camminando dritta davanti al radar.
- I valori vengono misurati quando la persona entra nella zona di rilevamento.
- La sensibilità del radar è impostata su **Medium (Media)**.

Altezza di montaggio	Inclinazione 0°	Inclinazione 10°	Inclinazione 20°
2,5 m	3-60 m	Non consigliate	Non consigliate
3,5 m	3-60 m	Non consigliate	Non consigliate
4,5 m	4-60 m	Non consigliate	Non consigliate
5,5 m	7,5-60 m	Non consigliate	Non consigliate
6,5 m	7,5-60 m	5,5-60 m	Non consigliate
8 m	Non consigliate	9-60 m	7,5-30 m
10 m	Non consigliate	15-60 m	9-35 m
12 m	Non consigliate	23-60 m	13-38 m
14 m	Non consigliate	27-60 m	17-35 m
16 m	Non consigliate	Non consigliate	25-50 m

Come installare il dispositivo

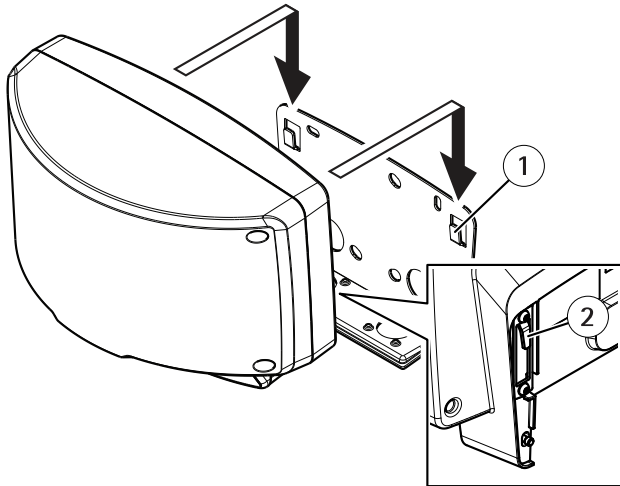
1. Usare la maschera di foratura e praticare fori nella parete.
2. Fissare la staffa di montaggio alla parete.
3. Far passare il cavo di rete attraverso la staffa di montaggio. Lasciare circa 30 cm di cavo per il collegamento al radar.

ATTENZIONE

Rischio di perdite d'acqua.

- Non utilizzare cavi di rete dotati di connettori di rete con tappi, poiché potrebbero danneggiare la guarnizione del cavo.
 - Utilizzare cavi con un diametro di 5 – 9,5 mm.
4. Per collegare un dispositivo ausiliario, ad esempio un I/O o una telecamera PTZ, ripetere il passaggio precedente per ogni cavo.
 5. Fissare il radar alla staffa di montaggio con i ganci.

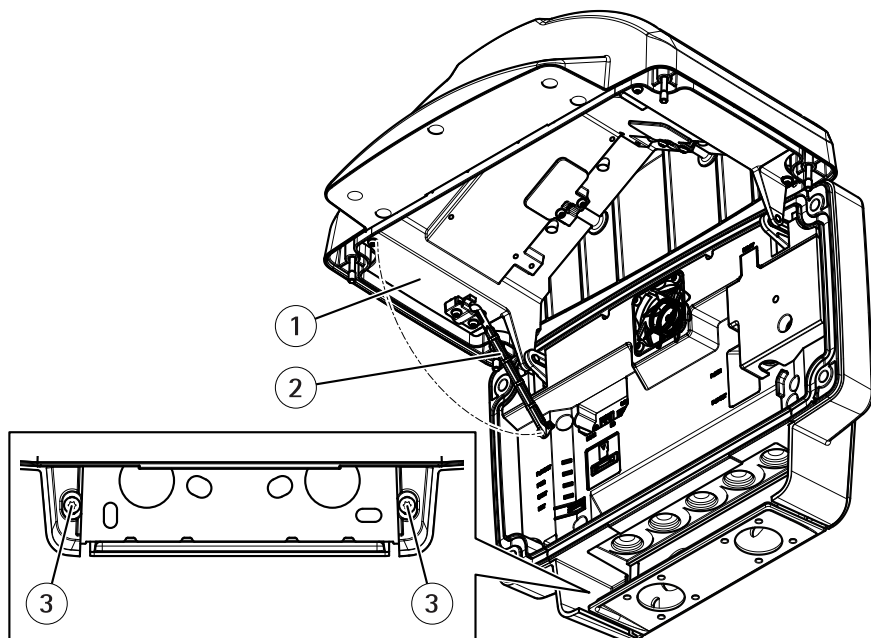
IT



- 1 *Gancio, lato staffa*
- 2 *Gancio, lato radar*

6. Allentare le viti sul coperchio e aprirlo.
7. Far scattare il puntello in posizione per bloccare il coperchio nella posizione aperta.
8. Serrare le viti con coppia di serraggio 1 Nm.

AXIS D2110-VE Security Radar



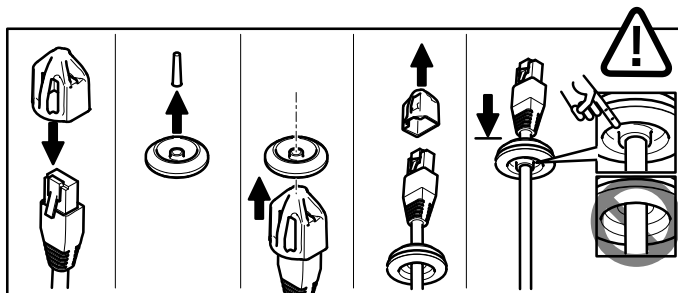
- 1 Coperchio
- 2 Puntello
- 3 Vite (2x)

9. Per utilizzare una scheda microSD per l'archiviazione locale, inserirla nell'apposito slot del radar.
10. Rimuovere il cavo sinistro e tirare la linguetta per aprire il foro per il cavo di rete.

ATTENZIONE

Rischio di perdite d'acqua.

- Aprire fori solo nelle guarnizioni dei cavi utilizzati.
 - Se la guarnizione del cavo è strappata, sostituirla con una nuova guarnizione per cavi.
11. Inserire il cavo di rete attraverso la guarnizione per cavi.



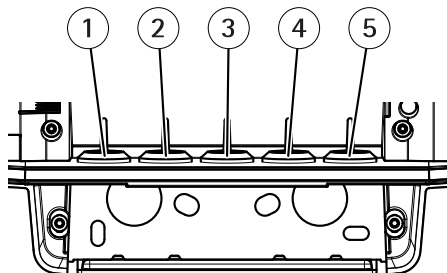
12. Tirare delicatamente il cavo di rete in modo da sistemare la guarnizione sul cavo.

⚠ATTENZIONE

Rischio di perdite d'acqua. Se la guarnizione del cavo non è sistemata correttamente sul cavo, l'acqua può penetrare e danneggiare il dispositivo.

13. Reinscrivere la guarnizione per cavi.

14. In caso di connessione di un dispositivo ausiliario, ad esempio un dispositivo I/O, ripetere il passaggio precedente (se consentito per il dispositivo in questione). Se viene utilizzato più di un cavo, instradare ciascun cavo attraverso una guarnizione separata.



- 1 Rete
- 2 Uscita PoE al dispositivo di rete
- 3 Alimentazione
- 4 I/O
- 5 Terra/Relè

15. Per utilizzare un pressacavo con un dispositivo antistrappo, assemblarlo come illustrato di seguito. Serrare saldamente il cappuccio e il dado a mano.

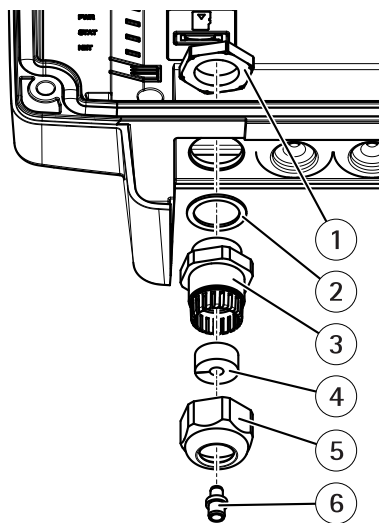
⚠ATTENZIONE

Rischio di perdite d'acqua.

- Tirare un solo cavo attraverso il pressacavo.

AXIS D2110-VE Security Radar

- Utilizzare un cavo di 5–6 mm di diametro.



- 1 *Dado*
- 2 *Guarnizione*
- 3 *Corpo*
- 4 *Tenuta*
- 5 *Cappuccio*
- 6 *Tassello (da scartare)*

16. Messa a terra del radar:

AVVISO

- Utilizzare un cavo di messa a terra con sezione trasversale da 1,5–4 mm² (AWG 16–11).
- Il dispositivo antistrappo è progettato per cavi con un diametro di 8,5–9,5 mm. Per utilizzare il dispositivo antistrappo su cavi dai diametri più piccoli, utilizzare il pressacavo con dispositivo antistrappo in dotazione.

16.1 Rimuovere la vite e il coperchio.

16.2 Collegare l'apparecchio esterno al connettore del relè.

16.3 Rimuovere la vite di messa a terra.

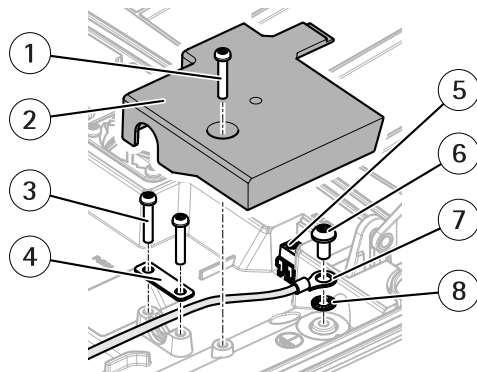
16.4 Fissare il cavo di messa a terra al capocorda utilizzando le pinze del capocorda.

16.5 Fissare la rondella e il capocorda con la vite.

16.6 Per controllare le apparecchiature elettriche esterne dal radar, collegare i cavi al relè del radar.

16.7 Fissare il cavo con il dispositivo antistrappo.

16.8 Fissare il coperchio con la vite.



- 1 Vite
- 2 Coperchio
- 3 Vite
- 4 Dispositivo antistrappo
- 5 Connettore relè
- 6 Vite di messa a terra
- 7 Capocorda
- 8 Rondella

17. Collegare i dispositivi esterni al radar.

18. Collegare il cavo di rete.

19. Se non si utilizza PoE, collegare l'alimentazione CC.

ATTENZIONE

Rischio di danni al dispositivo. Non alimentare il dispositivo sia con PoE che con CC.

20. Verificare che i LED indichino la corretta condizione. Vedere *Indicatori LED alla pagina 92*.

21. Estrarre il puntello e chiudere il coperchio.

22. Serrare le quattro viti con coppia di serraggio 1 Nm.

Individuazione del dispositivo sulla rete

Per trovare i dispositivi Axis sulla rete e assegnare loro un indirizzo IP in Windows®, utilizzare AXIS IP Utility o AXIS Device Manager. Queste applicazioni sono entrambe gratuite e possono essere scaricate dal sito Web axis.com/support.

AXIS D2110-VE Security Radar

Per ulteriori informazioni su come trovare e assegnare indirizzi IP, andare alla sezione *Come assegnare un indirizzo IP e accedere al dispositivo*.

Supporto browser

Il dispositivo può essere utilizzato con i seguenti browser:

	Chrome™	Firefox®	Edge™	Safari®
Windows®	consigliato	consigliato	✓	
macOS®	consigliato	consigliato	✓	✓
Linux®	consigliato	consigliato	✓	
Altri sistemi operativi	✓	✓	✓	✓*

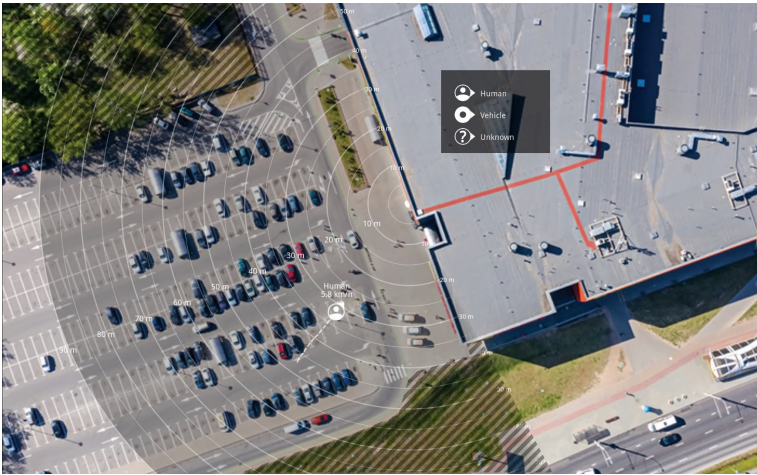
Per usare l'interfaccia web di AXIS OS con iOS 15 o iPadOS 15, vai a **Impostazioni > Safari > Avanzate > Funzioni sperimentali e disabilita NSURLConnection Websocket.*

Per ulteriori informazioni su come utilizzare il dispositivo, consultare il manuale per l'utente disponibile all'indirizzo axis.com.

Calibrazione mappa

Il radar è pronto ad essere utilizzato appena installato. La visualizzazione in diretta predefinita mostrerà la copertura radar con tutti i movimenti rilevati e sarà possibile aggiungere subito aree di rilevamento e regole.

Se il radar è montato a 3,5 m dal suolo, non è necessario fare altro. Se il radar è montato a un'altezza diversa, è necessario calibrare il radar in modo da compensare l'altezza di montaggio.



IT

Per semplificare la visione degli oggetti in movimento, è possibile caricare una mappa di riferimento, ad esempio una pianta o una foto aerea, che mostra l'area coperta dal radar.

Requisiti dell'immagine:

- I formati dei file supportati sono jpeg e png.
- L'immagine può essere ritagliata nel radar.
- L'immagine può essere ruotata di $\pm 35^\circ$ nel radar.
- L'orientamento non è importante poiché l'area di copertura del radar si sposterà per adattarsi all'immagine durante la calibrazione.

Dopo aver caricato la mappa di riferimento è necessario calibrare la mappa di riferimento in modo che la copertura del radar effettiva sia adatta alla posizione, alla direzione e alla scala della mappa di riferimento.

La calibrazione viene eseguita nell'interfaccia web facendo clic nella mappa di riferimento. Non è necessario l'accesso fisico al sito.

Per ulteriori informazioni sulla calibrazione, consultare il manuale per l'utente a axis.com

Ripristino delle impostazioni predefinite di fabbrica

Importante

Il ripristino dei valori predefiniti di fabbrica deve essere effettuato con cautela. Tale operazione consentirà di ripristinare i valori predefiniti di fabbrica per tutte le impostazioni, incluso l'indirizzo IP.

Per ripristinare il dispositivo ai valori predefiniti di fabbrica:

1. Scollegare l'alimentazione dal dispositivo.
2. Tenere premuto il pulsante di comando quando si ricollega l'alimentazione. Vedere *Panoramica del dispositivo alla pagina 80*.
3. Tenere premuto il pulsante di comando per 15-30 secondi finché l'indicatore LED di stato non lampeggia in giallo.
4. Rilasciare il pulsante di comando. Il processo è completo quando l'indicatore del LED di stato diventerà verde. Il dispositivo è stato reimpostato alle impostazioni di fabbrica predefinite. Se nessun server DHCP è disponibile sulla rete, l'indirizzo IP predefinito è 192.168.0.90.
5. Utilizzare gli strumenti per l'installazione e la gestione del software per assegnare un indirizzo IP, impostare la password e accedere al flusso video.

Gli strumenti per l'installazione e la gestione del software sono disponibili nelle pagine dedicate all'assistenza sul sito Web axis.com/support.

È anche possibile reimpostare i valori predefiniti di fabbrica dei parametri mediante l'interfaccia Web. Andare in **Settings > System > Maintenance (Impostazioni > Sistema > Manutenzione)** e fare clic su **Default (Predefinito)**.

Ulteriori Informazioni

- La guida all'installazione e il manuale per l'utente del dispositivo sono disponibili su axis.com.
- Per verificare se c'è una versione aggiornata del firmware per il proprio dispositivo, vedere axis.com/support.
- Per servizi di formazione utili, webinar, tutorial e guide, visitare il sito axis.com/academy.

Accessori opzionali

Per un elenco completo degli accessori disponibili per questo dispositivo, andare alla pagina del dispositivo al sito axis.com e selezionare Software e accessori.

- AXIS T91R61 Wall Mount
- AXIS T91B47 Pole Mount
- AXIS T94R01B Corner Bracket

Specifiche

Indicatori LED

LED di stato	Indicazione
Verde	Luce verde fissa: condizioni di normale utilizzo.

LED di rete	Indicazione
Verde	Luce fissa per connessione di rete a 1 Gbit/s. Luce lampeggiante: attività di rete.
Giallo	Luce fissa per connessione di rete a 10/100 Mbit/s. Luce lampeggiante: attività di rete.
Spento	Assenza di connessione.

LED di alimentazione	Indicazione
Verde	Funzionamento normale.

LED uscita PoE	Indicazione
Spento	Uscita PoE spenta
Verde	Uscita PoE accesa

Slot per schede di memoria

Visitare axis.com per i consigli sulla scheda di memoria.

Pulsanti

Pulsante di comando

Per l'ubicazione del pulsante di comando, vedere *Panoramica del dispositivo alla pagina 80*.

Il pulsante di comando viene utilizzato per:

- Ripristinare le impostazioni predefinite di fabbrica del dispositivo. Vedere *pagina 90*.

Connettori

Connettore di rete

Connettore Ethernet RJ45 con Power over Ethernet Plus (PoE+).

▲ATTENZIONE

Rischio di danni al dispositivo. Non alimentare il dispositivo sia con PoE che con CC.

Connettore di rete (PoE out)

Power over Ethernet IEEE 802.3at tipo 2, max 30 W

Utilizzare questo connettore per alimentare un altro dispositivo PoE, ad esempio una telecamera, un altoparlante a tromba o un secondo radar di sicurezza.

Nota

L'uscita PoE è abilitata quando il radar è alimentato da un midspan 60 W (Power over Ethernet IEEE 802.3bt, tipo 3).

Nota

Se il radar è alimentato da un midspan 30 W o dall'alimentazione CC, l'uscita PoE è disattivata.

Nota

La lunghezza massima del cavo Ethernet è complessivamente pari a 100 m per l'uscita e l'ingresso PoE in combinazione. È possibile incrementarla con un amplificatore PoE.

Nota

Se il dispositivo PoE collegato richiede più di 30 W, è possibile aggiungere un midspan da 60 W tra la porta di uscita PoE sul radar e il dispositivo. Il midspan alimenterà il dispositivo mentre il radar di sicurezza fornirà la connessione Ethernet.

Connettore I/O

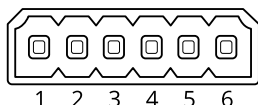
Utilizzare il connettore I/O con dispositivi esterni in combinazione con, ad esempio, attivazione di eventi e notifiche di allarme. Oltre al punto di riferimento 0 V CC e all'alimentazione (output CC), il connettore I/O fornisce l'interfaccia per:

Ingresso digitale – Per il collegamento di dispositivi che possono passare da un circuito chiuso ad uno aperto, ad esempio i sensori PIR, i contatti porta/finestra e i rilevatori di rottura.

Uscita digitale – Per il collegamento di dispositivi esterni come relè e LED. I dispositivi collegati possono essere attivati tramite l'API (interfaccia per la programmazione di applicazioni) VAPIX® attraverso un evento oppure dalla pagina Web del dispositivo.

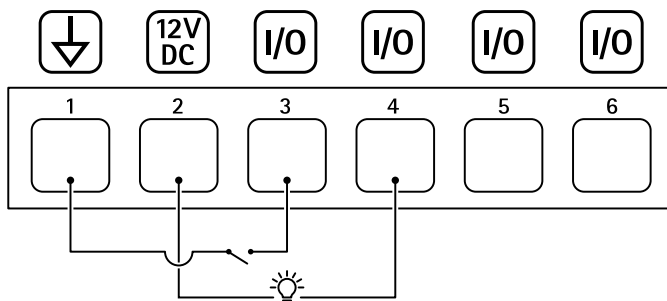
Morsettiera a 6 pin

AXIS D2110-VE Security Radar



Funzione	Pin	Note	Specifiche
Terra CC	1		0 V CC
Uscita CC	2	Può essere utilizzato per alimentare una periferica ausiliaria. Nota: questo pin può essere usato solo come uscita alimentazione.	12 V CC Carico massimo = 50 mA
Configurabile (input oppure output)	3-6	Ingresso digitale: collegare al pin 1 per attivarlo oppure lasciarlo isolato (scollegato) per disattivarlo.	Da 0 a max 30 V CC
		Uscita digitale: collegato internamente al pin 1 (terra CC) quando attivo e isolato (scollegato) quando inattivo. Se utilizzata con un carico induttivo, ad esempio un relè, collegare un diodo in parallelo al carico per proteggere il dispositivo da sovratensioni.	Da 0 a max 30 V CC, open drain, 100 mA

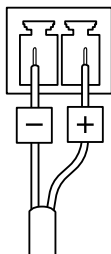
Esempio



- 1 Ground CC
- 2 Output CC 12 V, max 50 mA
- 3 I/O configurato come input
- 4 I/O configurato come output
- 5 I/O configurabile
- 6 I/O configurabile

Connettore di alimentazione

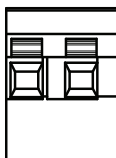
Morsettiera a 2 pin per ingresso alimentazione CC. Utilizzare una sorgente di alimentazione limitata (LPS) da 8–28 V CC conforme a SELV (bassissima tensione di sicurezza) con una potenza di uscita nominale limitata a ≤ 100 W.



⚠ATTENZIONE

Rischio di danni al dispositivo. Non alimentare il dispositivo sia con PoE che con CC.

Connettore relè



⚠ATTENZIONE

Utilizzare cavi principali singoli per il connettore del relè.

Funzione	Specifiche
Tipo	Normalmente aperto
Classificazione	24 V CC/5 A
Isolamento da un altro circuito	2,5 kV

Interruttore allarme anti intrusione

Utilizzare l'interruttore dell'allarme anti intrusione per ricevere una notifica quando qualcuno apre l'alloggiamento del dispositivo. Per impostare una regola di azione, vedere il manuale per l'utente disponibile all'indirizzo axis.com.

Informazioni di sicurezza

Livelli di pericolo

▲PERICOLO

Indica una situazione pericolosa che, se non evitata, provoca morte o lesioni gravi.

▲AVVISO

Indica una situazione pericolosa che, se non evitata, potrebbe provocare la morte o lesioni gravi.

▲ATTENZIONE

Indica una situazione pericolosa che, se non evitata, potrebbe provocare lesioni medie o minori.

AVVISO

Indica una situazione che, se non evitata, potrebbe danneggiare la proprietà.

IT

Altri livelli di messaggio

Importante

Indica informazioni importanti, essenziali per il corretto funzionamento del dispositivo.

Nota

Indica informazioni utili che aiutano a ottenere il massimo dal dispositivo.

AXIS D2110-VE Security Radar

Informazioni di sicurezza

⚠ PERICOLO

Rischio di scosse elettriche. Tutti i cavi devono essere diseccitati prima di installare o eseguire la manutenzione sul dispositivo.

⚠ AVVISO

Il dispositivo Axis deve essere installato da un professionista qualificato, in conformità alle leggi e alle disposizioni locali.

⚠ ATTENZIONE

Fare attenzione ai bordi metallici taglienti. Per evitare tagli, utilizzare guanti resistenti ai tagli durante l'installazione.

AVVISO

- Il dispositivo Axis deve essere utilizzato in conformità alle leggi e alle normative locali.
- Axis consiglia l'uso di un cavo di rete schermato (STP).
- Axis consiglia di utilizzare un cavo di rete di categoria CAT6 o versione successiva.
- Conservare il dispositivo Axis in un ambiente asciutto e ventilato.
- Evitare di esporre il dispositivo Axis a urti o pressioni eccessive.
- Evitare di esporre il dispositivo Axis a vibrazione.
- Non installare il dispositivo su supporti, superfici, pareti o pali instabili.
- Non installare il dispositivo su supporti, superfici, pareti o pali che vibrano.
- Utilizzare solo strumenti applicabili quando si installa il dispositivo Axis. Se si utilizza una forza eccessiva con strumenti non adatti è possibile causare danni al dispositivo.
- Non utilizzare sostanze chimiche, agenti caustici o detergenti aerosol.
- Utilizzare un panno pulito inumidito in acqua pura per la pulizia.
- Utilizzare solo accessori compatibili con le specifiche tecniche del dispositivo. Questi possono essere forniti da Axis o da terze parti. Axis consiglia l'uso dell'apparecchiatura di alimentazione Axis compatibile con il dispositivo.
- Utilizzare solo parti di ricambio fornite o consigliate da Axis.
- Non tentare di riparare il dispositivo da soli. Contattare l'assistenza o il rivenditore Axis per questioni relative alla manutenzione.
- Utilizzare un cavo di messa a terra giallo/verde di almeno 1,5 mm² o 15 AWG.

Trasporto

AVVISO

- Durante il trasporto del dispositivo Axis, utilizzare l'imballaggio originale o equivalente per evitare danni al dispositivo.

Batteria

Il dispositivo Axis utilizza una batteria al litio da 3 V BR2032 come alimentazione per il suo orologio in tempo reale (RTC) interno. In condizioni normali questa batteria avrà una durata minima di cinque anni.

Una bassa carica della batteria influisce sul funzionamento dell'orologio in tempo reale, facendolo resettare a ogni accensione. Quando la tensione della batteria è bassa, un messaggio di registro viene visualizzato nel report del server del dispositivo.

⚠ATTENZIONE

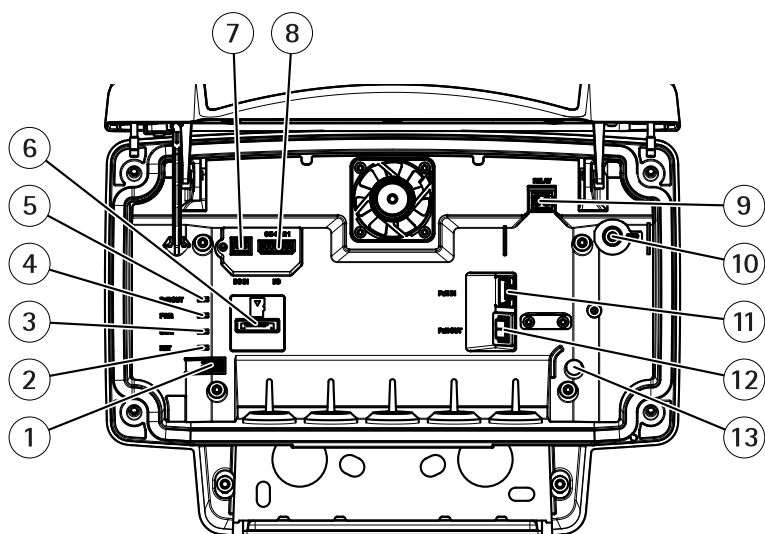
Non sostituire la batteria da soli. Contattare l'assistenza di Axis se il messaggio di registro richiede una sostituzione della batteria.

Le batterie a bottone al litio da 3 V contengono 1,2-dimetossietano; etere dimetilico di glicole etilenico (EGDME), CAS n. 110-71-4.

Contenido del paquete

- AXIS D2110-VE Security Radar
- Soporte de montaje
- Adaptador para tubo (2)
- Tornillo T30 (4) para su uso en soportes de montaje en poste.
- Destornillador Torx TR20
- Herramienta de montaje para RJ45
- Zapata para cable
- Arandela de bloqueo
- Junta de cable, gris (2)
- Junta de cable, negra (2)
- Prensaestopas
- Bloque de conectores de E/S de seis pines para conectar dispositivos externos
- Puntal de repuesto
- Materiales impresos
 - Guía de instalación (este documento)
 - Etiqueta adicional con el número de serie (2)
 - Clave de autenticación AVHS
 - Plantilla de perforado
 - Adhesivo de vigilancia mediante radar

Información general del producto



- 1 Botón de control
- 2 LED de red
- 3 LED de estado
- 4 LED de alimentación
- 5 Salida PoE LED
- 6 Ranura para tarjeta microSD
- 7 Conector de alimentación (CC)
- 8 Conector de E/S
- 9 Conector de relé
- 10 Tornillo de toma de tierra
- 11 Conector de red (entrada PoE)
- 12 Conector de red (salida PoE)
- 13 Sensor de alarma contra intrusiones

Para conocer las especificaciones técnicas, consulte *Especificaciones en la página 114*.

Dónde instalar el producto

- El radar se ha diseñado para supervisar áreas abiertas. Cualquier objeto sólido (como una pared, una valla, un árbol o un arbusto grande) en la zona de cobertura creará un punto ciego (sombra de radar) detrás de él.
- Instale el radar en un poste estable o en un punto en una pared donde no haya otros objetos o instalaciones. Los objetos situados a menos de 1 m a la izquierda y derecha del radar y que reflejan las ondas de radio afectan al rendimiento del radar.
- Los objetos metálicos dentro el campo de visión provocan reflejos que afectan a la capacidad del radar para realizar clasificaciones.
- Si quiere instalar más de dos radares en la misma zona de control, consulte el manual del usuario en axis.com para obtener más información.

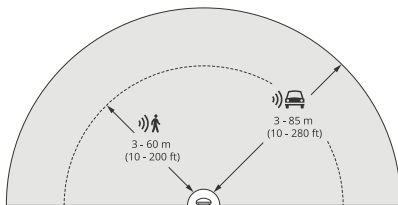
Alcance de la zona de detección

El alcance de detección es la distancia a la que puede hacerse el seguimiento de un objeto y activarse una alarma. Se mide desde un **límite de detección cercano** (la cercanía con la que puede hacerse una detección) hasta un **límite de detección lejano** (la distancia desde el dispositivo hasta la que puede hacerse una detección).

El **perfil de supervisión de área** está optimizado para detectar personas, pero también permite hacer el seguimiento de vehículos y otros objetos en movimiento que se mueven hasta una velocidad de 55 km/h, con una precisión de +/- 2 km/h.

Si se monta a la altura de instalación óptima, los alcances de detección son:

- 3–60 m para detectar personas
- 3–85 m para detectar vehículos



Nota

- Si instala el radar a una altura diferente, introduzca la altura real en la página web del producto al calibrar el radar.
- El rango de detección se ve afectado por la escena.
- El rango de detección se ve afectado por los radares cercanos.

AXIS D2110-VE Security Radar

- El rango de detección se ve afectado por el tipo de objeto.

El rango de detección se midió en estas condiciones:

- El rango se midió a lo largo del suelo.
- El objeto era una persona de 170 cm de altura.
- La persona caminaba directamente delante del radar.
- Los valores se miden cuando la persona accede a la zona de detección.
- La sensibilidad del radar se estableció en **Medium (Medio)**.

Altura de montaje	Inclinación de 0°	Inclinación de 10°	Inclinación de 20°
2,5 m	De 3 a 60 m	No recomendado	No recomendado
3,5 m	De 3 a 60 m	No recomendado	No recomendado
4,5 m	De 4 a 60 m	No recomendado	No recomendado
5,5 m	De 7,5 a 60 m	No recomendado	No recomendado
6,5 m	De 7,5 a 60 m	De 5,5 a 60 m	No recomendado
8 m	No recomendado	De 9 a 60 m	De 7,5 a 30 m
10 m	No recomendado	De 15 a 60 m	De 9 a 35 m
12 m	No recomendado	De 23 a 60 m	De 13 a 38 m
14 m	No recomendado	De 27 a 60 m	De 17 a 35 m
16 m	No recomendado	No recomendado	De 25 a 50 m

Cómo instalar el producto

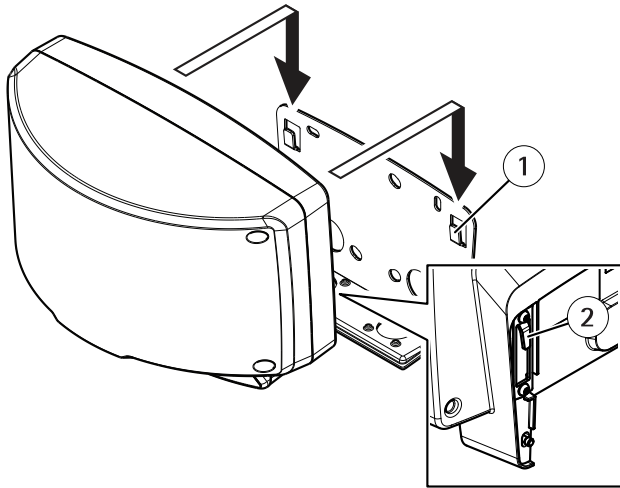
1. Utilice la plantilla de perforado y taladre orificios en la pared.
2. Fije el soporte de montaje a la pared.
3. Guíe el cable de red a través del soporte de montaje. Deje aproximadamente unos 30 cm de cable para conectarlo al radar.

⚠PRECAUCIÓN

Riesgo de fugas de agua.

- No utilice cables de red con conectores de red recubiertos porque pueden rasgar la junta del cable.
 - Utilice cables con un diámetro de entre 5 y 9,5 mm.
4. Para conectar un dispositivo auxiliar, por ejemplo, una cámara PTZ o de E/S, repita el paso anterior para cada cable.
 5. Fije el radar al soporte de montaje con los enganches.

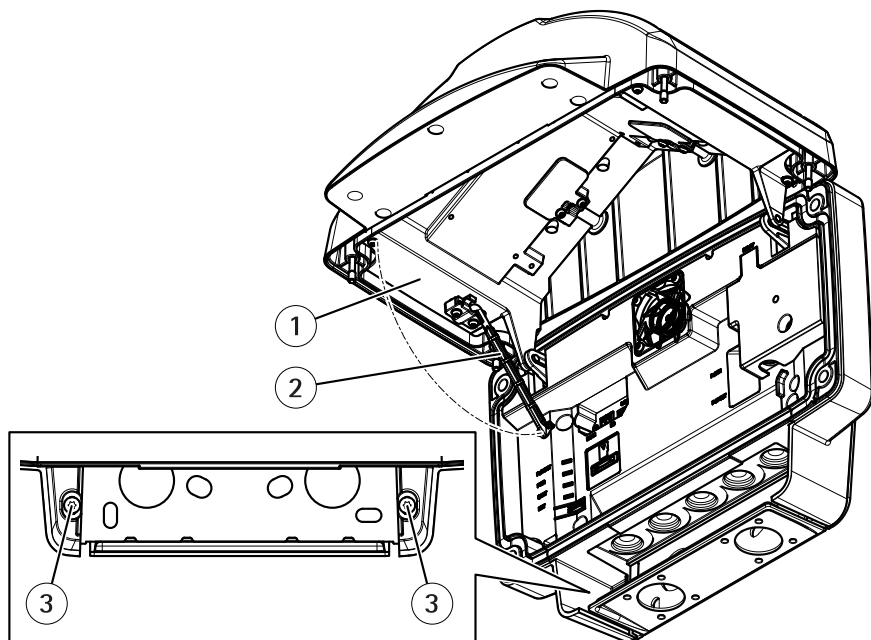
ES



- 1 *Gancho, lateral del soporte*
- 2 *Gancho, lateral de radar*

6. Afloje los tornillos de la cubierta y ábrala.
7. Encaje el puntal en su posición para bloquear la cubierta en su posición abierta.
8. Apriete los tornillos con un par de 1 Nm.

AXIS D2110-VE Security Radar



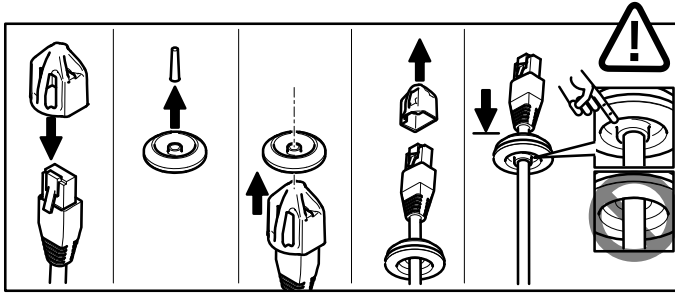
- 1 Cubierta
- 2 Puntal
- 3 Tornillo (2)

9. Para utilizar una tarjeta microSD como unidad de almacenamiento local, inserte la tarjeta en la ranura para tarjetas microSD del radar.
10. Retire la junta del cable de la parte izquierda y tire de la lengüeta para abrir un orificio para el cable de red.

PRECAUCIÓN

Riesgo de fugas de agua.

- Abra solo los orificios en las juntas de cable que se utilizan.
 - Si una junta del cable está rota, reemplácela con una nueva junta de cable.
11. Empuje el cable de red a través de la junta del cable.



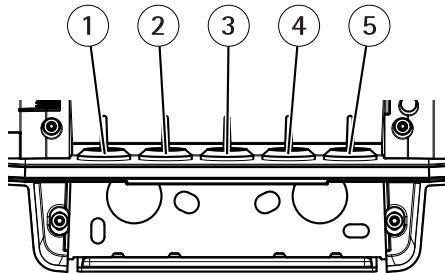
12. Tire del cable de red hacia atrás suavemente de manera que la junta del cable se ajuste en el cable.

⚠PRECAUCIÓN

Riesgo de fugas de agua. Si la junta del cable no está correctamente ajustada, el agua del cable puede filtrarse y dañar el producto.

ES

13. Vuelva a colocar la junta del cable.
14. Si se conecta un dispositivo auxiliar, por ejemplo, uno de E/S, repita el paso anterior según se aplique al dispositivo en cuestión. Si se utiliza más de un cable, cada cable deberá pasarse por una junta distinta.



- 1 Red
- 2 Salida PoE a dispositivo de red
- 3 Alimentación
- 4 E/S
- 5 Toma de tierra/relé

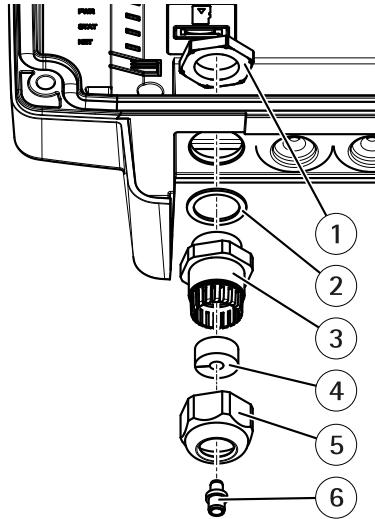
15. Para utilizar un prensaestopas con descarga de tracción, móntelo como se muestra a continuación. Apriete la tuerca y la tapa firmemente con la mano.

⚠PRECAUCIÓN

Riesgo de fugas de agua.

AXIS D2110-VE Security Radar

- Extraiga solo un cable a través del prensaestopas.
- Utilice un cable con un diámetro de entre 5 y 6 mm.



- 1 Tuerca
- 2 Junta
- 3 Cuerpo
- 4 Junta
- 5 Tapa
- 6 Tapón (desechable)

16. Conecte a tierra el radar:

⚠ADVERTENCIA

- Utilice un cable de toma de tierra con una sección transversal de entre 1,5 y 4 mm² (AWG 16–11).
- La descarga de tracción se ha diseñado para cables con un diámetro de entre 8,5 y 9,5 mm. Para utilizar la descarga de tracción en diámetros de cable más pequeños, utilice el cable suministrado con descarga de tracción.

16.1 Retire el tornillo y la cubierta.

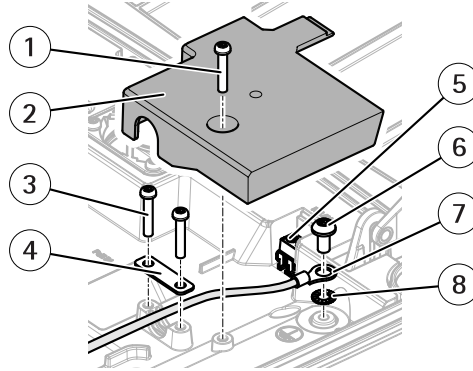
16.2 Conecte el equipo externo al conector de relé.

16.3 Extraiga el tornillo de tierra.

16.4 Conecte el cable de tierra a la zapata para cable utilizando unos alicates para zapatas.

16.5 Fije la arandela y la zapata para cable con el tornillo.

- 16.6 Para controlar el equipo eléctrico externo desde el radar, conecte los cables al relé del radar.
- 16.7 Fije el cable con la descarga de tracción.
- 16.8 Fije la cubierta con el tornillo.



- 1 *Tornillo*
- 2 *Cubierta*
- 3 *Tornillo*
- 4 *Descarga de tracción*
- 5 *Conector de relé*
- 6 *Tornillo de toma de tierra*
- 7 *Zapata para cable*
- 8 *Arandela*

17. Conecte los dispositivos externos al radar.
18. Conecte el cable de red.
19. Si no utiliza PoE, conecte la alimentación de CC.

▲PRECAUCIÓN

Riesgo de daños en el dispositivo. No alimente el dispositivo con PoE y CC.

20. Asegúrese de que los indicadores LED indiquen la condición correcta. Consulte *Indicadores LED en la página 114*.
21. Extraiga el puntal y cierre la cubierta.
22. Apriete los cuatro tornillos con un par de 1 Nm.

AXIS D2110-VE Security Radar

Localice el dispositivo en la red

Para localizar dispositivos Axis en la red y asignarles direcciones IP en Windows®, utilice AXIS IP Utility o AXIS Device Manager. Ambas aplicaciones son gratuitas y pueden descargarse desde axis.com/support.

Para obtener más información acerca de cómo encontrar y asignar direcciones IP, vaya a *How to assign an IP address and access your device (Cómo asignar una dirección IP y acceder al dispositivo)*.

Compatibilidad con navegadores

Puede utilizar el dispositivo con los siguientes navegadores:

	Chrome™	Firefox®	Edge™	Safari®
Windows®	recomendado	recomendado	✓	
macOS®	recomendado	recomendado	✓	✓
Linux®	recomendado	recomendado	✓	
Otros sistemas operativos	✓	✓	✓	✓*

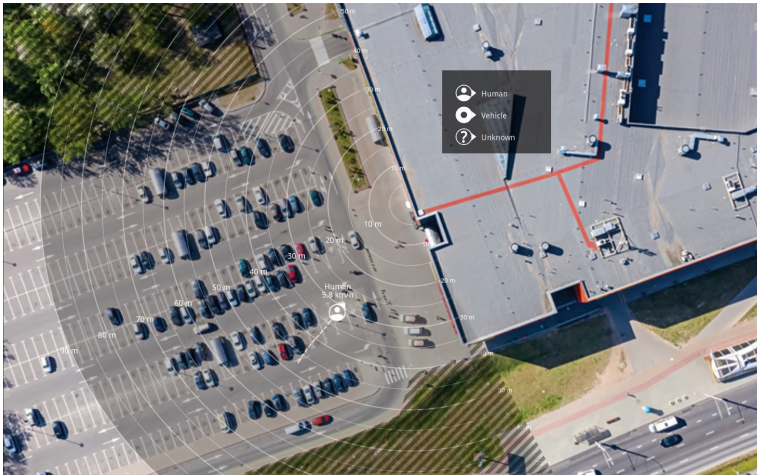
*Para utilizar la interfaz web AXIS OS con iOS 15 o iPadOS 15, vaya a **Ajustes > Safari > Avanzadas > Características experimentales** y desactive *NSURLSession Websocket*.

Para obtener más información sobre cómo utilizar el dispositivo, consulte el manual del usuario disponible en axis.com.

Calibración del mapa

El radar está listo para usarse en cuanto se instale. La visualización en directo predeterminada muestra la cobertura del radar y los movimientos detectados. Además, puede añadir zonas de detección y reglas directamente.

Si el radar se monta a 3,5 m sobre el suelo, no es necesario hacer nada más. Si el radar se monta a una altura diferente, debe calibrarlo para compensar la altura de montaje.



ES

Para que resulte más fácil ver dónde se mueven los objetos, puede cargar un mapa de referencia, como un plano de planta o una foto aérea, que muestre el área cubierta por el radar.

Requisitos de imagen:

- Los formatos de archivo compatibles son jpeg y png.
- La imagen se puede recortar en el radar.
- La imagen se puede girar $\pm 35^\circ$ en el radar.
- La orientación no es importante, ya que la forma de cobertura del radar se moverá para adaptarse a la imagen durante la calibración.

Tras cargar el mapa de referencia, necesita calibrarlo de tal modo que la cobertura del radar real se ajuste a la posición, dirección y escala del mapa de referencia.

La calibración se lleva a cabo en la interfaz web haciendo clic en el mapa de referencia. No necesita acceso físico a la instalación.

Para obtener más información sobre la calibración, consulte el manual del usuario en axis.com.

Restablecimiento a la configuración predeterminada de fábrica

Importante

Es preciso tener cuidado si se va a restablecer la configuración predeterminada de fábrica. Todos los valores, incluida la dirección IP, se restablecerán a la configuración predeterminada de fábrica.

Para restablecer el producto a la configuración predeterminada de fábrica:

1. Desconecte la alimentación del producto.
2. Mantenga pulsado el botón de control mientras vuelve a conectar la alimentación. Consulte *Información general del producto en la página 102*.
3. Mantenga pulsado el botón de control durante 15-30 segundos hasta que el indicador LED de estado parpadee en ámbar.
4. Suelte el botón de control. El proceso finaliza cuando el indicador LED de estado se pone verde. El producto se ha restablecido a la configuración predeterminada de fábrica. Si no hay ningún servidor DHCP disponible en la red, la dirección IP predeterminada será 192.168.0.90.
5. Utilice las herramientas del software de instalación y gestión para asignar una dirección IP, establecer la contraseña y acceder a la transmisión de vídeo.

Las herramientas de software de instalación y gestión están disponibles en las páginas de servicio técnico en axis.com/support.

También es posible restablecer los parámetros a los valores predeterminados de fábrica mediante la interfaz web. Vaya a **Settings > System > Maintenance (Ajustes > Sistema > Mantenimiento)** y haga clic en **Default (Predeterminado)**.

Más información

- La guía de instalación y el manual del usuario del dispositivo están disponibles en axis.com.
- Para comprobar si hay una versión de firmware actualizada para su dispositivo, consulte axis.com/support.
- Para consultar cursos, seminarios web, tutoriales y guías que pueden resultarle útiles, vaya a axis.com/academy.

Accesorios opcionales

Para conocer una lista completa de los accesorios disponibles para este producto, vaya a la página axis.com y seleccione Software y accesorios.

- AXIS T91R61 Wall Mount
- AXIS T91B47 Pole Mount
- AXIS T94R01B Corner Bracket

Especificaciones

Indicadores LED

LED de Estado	Indicación
Verde	Fijo en verde para indicar un funcionamiento normal.

LED de red	Indicación
Verde	Fijo para indicar una conexión a una red de 1 Gbits/s. Parpadea cuando hay actividad de red.
Ámbar	Fijo para indicar una conexión a una red de 10/100 Mbits/s. Parpadea cuando hay actividad de red.
Apagado	No hay conexión a la red.

Alimentación de LED	Indicación
Verde	Funcionamiento normal.

Salida PoE LED	Indicación
Apagado	Salida PoE desactivada
Verde	Salida PoE activada

Ranura para tarjetas SD

Para conocer las recomendaciones sobre tarjetas SD, consulte axis.com.

Botones

Botón de control

Para conocer la ubicación del botón de control, consulte *Información general del producto en la página 102*.

El botón de control se utiliza para lo siguiente:

- Restablecer el producto a la configuración predeterminada de fábrica. Consulte *página 112*.

Conectores

Conector de red

Conector Ethernet RJ45 con alimentación a través de Ethernet Plus (PoE+).

▲PRECAUCIÓN

Riesgo de daños en el dispositivo. No alimente el dispositivo con PoE y CC.

Conector de red (salida PoE)

Alimentación a través de Ethernet IEEE 802.3at tipo 2, máx. 30 W

Use este conector para suministrar energía a otro dispositivo PoE, por ejemplo, una cámara, un altavoz exponencial o un segundo radar de seguridad.

Nota

La salida PoE se habilita cuando el radar recibe alimentación a través de un midspan de 60 W (alimentación a través de Ethernet IEEE 802.3bt, tipo 3).

Nota

Si el radar recibe alimentación desde CC o midspan de 30 W, la salida de PoE se desactiva.

Nota

La longitud máxima del cable Ethernet es de 100 m en total para salida y entrada de PoE combinadas. Puede aumentarla con un PoE extender.

Nota

Si el dispositivo con PoE conectado requiere más de 30 W, puede agregar un midspan de 60 W entre el puerto de salida de PoE del radar y el dispositivo. El midspan alimenta el dispositivo y el radar de seguridad proporciona la conexión de Ethernet.

Conector de E/S

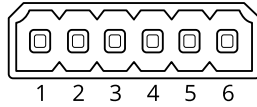
Utilizar el conector de E/S con dispositivos externos en combinación con activación de eventos y notificaciones de alarma, por ejemplo. Además del punto de referencia de 0 V CC y la alimentación (salida de CC), el conector de E/S ofrece una interfaz para:

Entrada digital – Conectar dispositivos que puedan alternar entre circuitos cerrados y abiertos, por ejemplo, sensores PIR, contactos de puertas y ventanas o detectores de cristales rotos.

Salida digital – Conectar dispositivos externos como relés y LED. Los dispositivos conectados se pueden activar mediante la interfaz de programación de aplicaciones VAPIX®, mediante un evento o desde la página web del producto.

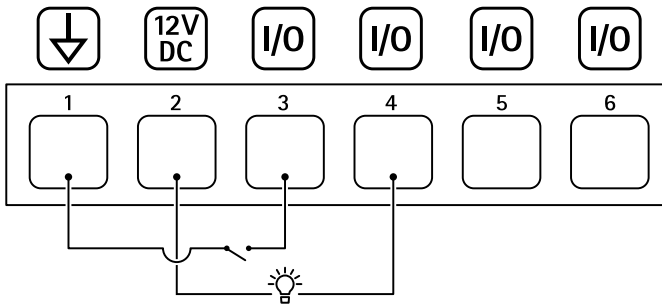
Bloque de terminales de 6 pines

AXIS D2110-VE Security Radar



Función	Pin	Notas	Especificaciones
Tierra CC	1		0 V CC
Salida de CC	2	Se puede utilizar para conectar el equipo auxiliar. Nota: Este pin solo se puede utilizar como salida de alimentación.	12 V CC Carga máx. = 50 mA
Configurable (entrada o salida)	3-6	Entrada digital: conéctela al pin 1 para activarla, o bien déjela suelta (desconectada) para desactivarla.	De 0 a un máximo de 30 V CC
		Salida digital: conectada internamente a pin 1 (tierra CC) cuando está activa; y suelta (desconectada), cuando está inactiva. Si se utiliza con una carga inductiva, por ejemplo, un relé, conecte un diodo en paralelo a la carga como protección contra transitorios de tensión.	De 0 a un máximo de 30 V CC, colector abierto, 100 mA

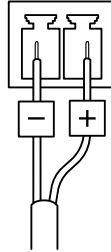
Ejemplo



- 1 Tierra CC
- 2 Salida de CC 12 V, 50 mA máx.
- 3 E/S configurada como entrada
- 4 E/S configurada como salida
- 5 E/S configurable
- 6 E/S configurable

Conector de alimentación

Bloque de terminales de 2 pines para la entrada de alimentación de CC. Use una fuente de alimentación limitada (LPS) compatible con una tensión muy baja de seguridad (SELV) de entre 8 y 28 V CC con una potencia nominal de salida limitada a ≤ 100 W.

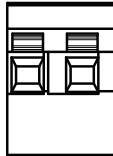


⚠ PRECAUCIÓN

Riesgo de daños en el dispositivo. No alimente el dispositivo con PoE y CC.

ES

Conector de relé



⚠ PRECAUCIÓN

Utilice cables de un solo núcleo para el conector de relé.

Función	Especificaciones
Tipo	Normalmente abierto
Clasificación	24 V CC/5 A
Aislamiento de otro circuito	2,5 kV

Interruptor de alarma contra intrusiones

Use el interruptor de alarma contra intrusiones para recibir una notificación cuando alguien abra la carcasa del dispositivo. Para configurar una regla de acción, consulte el manual del usuario disponible en axis.com.

Información de seguridad

Niveles de peligro

▲PELIGRO

Indica una situación peligrosa que, si no se evita, provocará lesiones graves o la muerte.

▲ADVERTENCIA

Indica una situación peligrosa que, si no se evita, puede provocar lesiones graves o la muerte.

▲PRECAUCIÓN

Indica una situación peligrosa que, si no se evita, puede provocar lesiones moderadas o leves.

AVISO

Indica una situación peligrosa que, si no se evita, puede provocar daños materiales.

ES

Otros niveles de mensaje

Importante

Indica información importante que es fundamental para que el producto funcione correctamente.

Nota

Indica información útil que ayuda a aprovechar el producto al máximo.

AXIS D2110-VE Security Radar

Instrucciones de seguridad

▲ PELIGRO

Riesgo de descarga eléctrica. Todos los cables deberán estar sin energía antes de realizar trabajos de instalación o mantenimiento en el producto.

▲ ADVERTENCIA

El producto de Axis debe instalarlo un profesional formado conforme a las leyes y normativas locales.

▲ PRECAUCIÓN

Tenga cuidado con los bordes metálicos afilados. Para evitar cortes, utilice guantes resistentes durante la instalación.

AVISO

- Este producto de Axis debe utilizarse de acuerdo con las leyes y normativas locales.
- Axis recomienda utilizar un cable de red blindado (STP).
- Axis recomienda utilizar un cable de red de categoría CAT6 o superior.
- Almacene el producto de Axis en un entorno seco y ventilado.
- Evite la exposición del producto de Axis a choques o a una fuerte presión.
- Evite la exposición del producto de Axis a vibraciones.
- No instale el producto en postes, soportes, superficies o paredes inestables.
- No instale el producto en postes, soportes, superficies o paredes que vibren.
- Utilice solo las herramientas correspondientes cuando instale el producto de Axis. La aplicación de una fuerza excesiva con herramientas eléctricas puede provocar daños en el producto.
- No utilice limpiadores en aerosol, agentes cáusticos ni productos químicos.
- Limpie con un paño limpio humedecido con agua pura.
- Utilice solo accesorios que cumplan con las especificaciones técnicas de su producto. Estos accesorios los puede proporcionar Axis o un tercero. Axis recomienda utilizar un equipo de suministro de alimentación de Axis compatible con su producto.
- Utilice solo piezas de repuesto proporcionadas o recomendadas por Axis.
- No intente reparar el producto usted mismo. Póngase en contacto con el servicio de asistencia técnica de Axis o con su distribuidor de Axis para tratar asuntos de reparación.
- Utilice un cable de tierra de color amarillo/verde de al menos 1,5 mm² o 15 AWG.

Transporte

AVISO

- Cuando transporte el producto de Axis, utilice el embalaje original o un equivalente para evitar daños en el producto.

Batería

Este producto de Axis utiliza una batería de litio BR2032 de 3,0 V como fuente de alimentación del reloj interno en tiempo real. En condiciones normales, esta batería durará un mínimo de cinco años.

Un nivel bajo de batería afectará al funcionamiento del reloj en tiempo real, lo que provocará el restablecimiento de este cada vez que se encienda el producto. Cuando la tensión de la batería esté baja, aparecerá un mensaje de registro en el informe del servidor del producto.

⚠PRECAUCIÓN

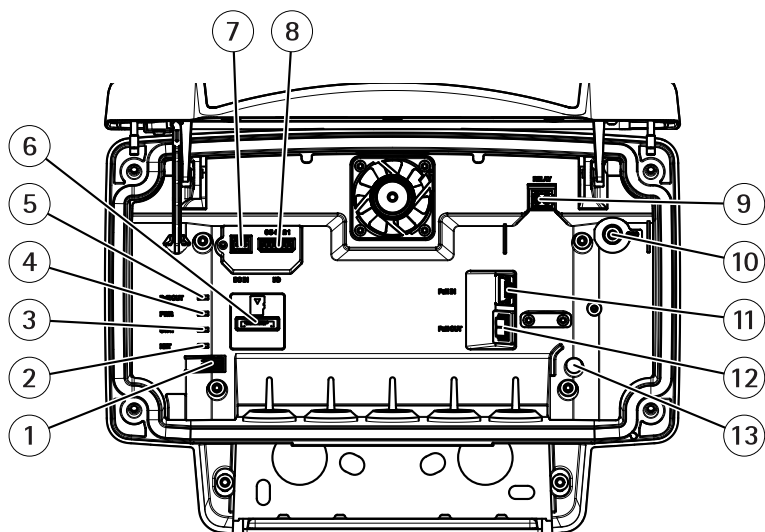
No sustituya la batería usted mismo. Póngase en contacto con el servicio de asistencia técnica de Axis si el mensaje de registro solicita un cambio de batería.

Las pilas de botón de litio de 3,0 V contienen 1,2-dimetoxietano; éter dimetilico de etilenglicol (EGDME), n.º CAS 110-71-4.

パッケージの内容

- AXIS D2110-VE Security Radar
- 取り付けブラケット
- パイプアダプター (×2)
- ポール取付金具用ネジT30 (×4)。
- トルクスTR20ドライバー
- RJ45用取付ツール
- ケーブルシュー
- ロックワッシャー
- ケーブルガasket (灰色) (×2)
- ケーブルガasket (黒) (×2)
- ケーブルグラウンド
- 外部デバイス接続用6ピンI/Oコネクタブロック
- スペアストラット
- 印刷物
 - インストールガイド (本書)
 - 予備のシリアル番号ラベル (×2)
 - AVHS認証キー
 - ドリルテンプレート
 - レーダー監視ステッカー

製品の概要



- 1 コントロールボタン
- 2 ネットワークLED
- 3 ステータスLED
- 4 電源LED
- 5 PoE出力LED
- 6 microSDカードスロット
- 7 電源コネクタ (DC)
- 8 I/Oコネクタ
- 9 接点コネクタ
- 10 アース端子ネジ
- 11 ネットワークコネクタ (PoE入力)
- 12 ネットワークコネクタ (PoE出力)
- 13 侵入アラームセンサー

技術仕様については、137ページ、仕様を参照してください。

製品の取り付け場所

- レーダーは、障害物のない領域の監視を目的としています。壁、フェンス、樹木、大きな茂みなどの固体が対象範囲にあると、その背後に死角（レーダー陰）が生じます。
- レーダーを安定したポールに取り付けるか、壁面上で他の物体や設置された装置がない場所に取り付けます。レーダーの左右1 m以内にある物体は、電波を反射するため、レーダーのパフォーマンスに影響します。
- 視野内の金属の物体は反射を引き起こし、レーダーの分類機能に影響します。
- 同じ共存ゾーンに2台を超えるレーダーを設置する場合は、詳細について axis.com でユーザーマニュアルを参照してください。

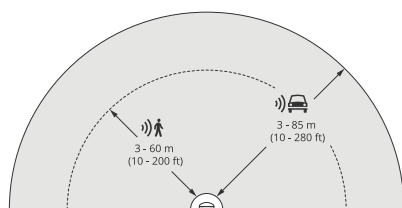
エリア検知範囲

検知範囲は、物体を追跡してアラームをトリガーできる距離です。検知範囲は、**近距離検知限界**（デバイスにどれだけ近づいて検知できるか）から**遠距離検知限界**（デバイスからどれだけ離れて検知できるか）までの間で測定されます。

エリア監視プロファイルは人間の検知用に最適化されていますが、最大55 km/hで走行する車両やその他の物体を ± 2 km/hの速度精度で追跡するためにも使用できます。

最適な高さに設置した場合、検知範囲は次のとおりです。

- 人間の検知時は**3～60 m**
- 車両の検知時は**3～85 m**



注

- レーダーを別の高さに設置する場合は、レーダーのキャリブレーションを行うときに製品のWebページに実際の取り付け位置の高さを入力します。
- 検知範囲はシーンの影響を受けます。
- 検知範囲は近隣のレーダーによって影響されます。
- 検知範囲は物体の種類によって異なります。

検知範囲は、以下の条件下で測定されました。

AXIS D2110-VE Security Radar

- 範囲は地面に沿って計測されています。
- 物体は、身長170 cmの人物でした。
- この人物はレーダーの前をまっすぐ歩いていました。
- これらの値は、人物が検知ゾーンに入ると計測されます。
- レーダー感度は**Medium (中)**に設定されています。

取付位置の高さ	0° 傾き	10° 傾き	20° 傾き
2.5 m	3.0~60 m	非推奨	非推奨
3.5 m	3.0~60 m	非推奨	非推奨
4.5 m	4.0~60 m	非推奨	非推奨
5.5 m	7.5~60 m	非推奨	非推奨
6.5 m	7.5~60 m	5.5~60 m	非推奨
8 m	非推奨	9~60 m	7.5~30 m
10 m	非推奨	15~60 m	9~35 m
12 m	非推奨	23~60 m	13~38 m
14 m	非推奨	27~60 m	17~35 m
16 m	非推奨	非推奨	25~50 m

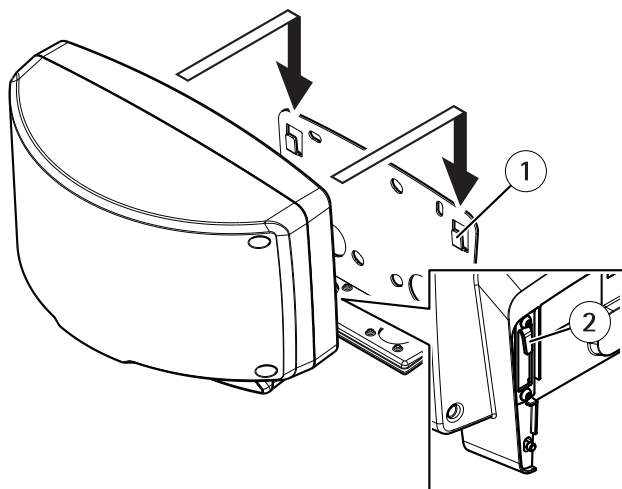
製品の取り付け方法

1. ドリルテンプレートを使用して、壁に2つ穴を開けます。
2. 取り付けブラケットを壁に固定します。
3. ネットワークケーブルを取り付けブラケットに通します。レーダーとの接続用に30 cmほどケーブルを残します。

▲注意

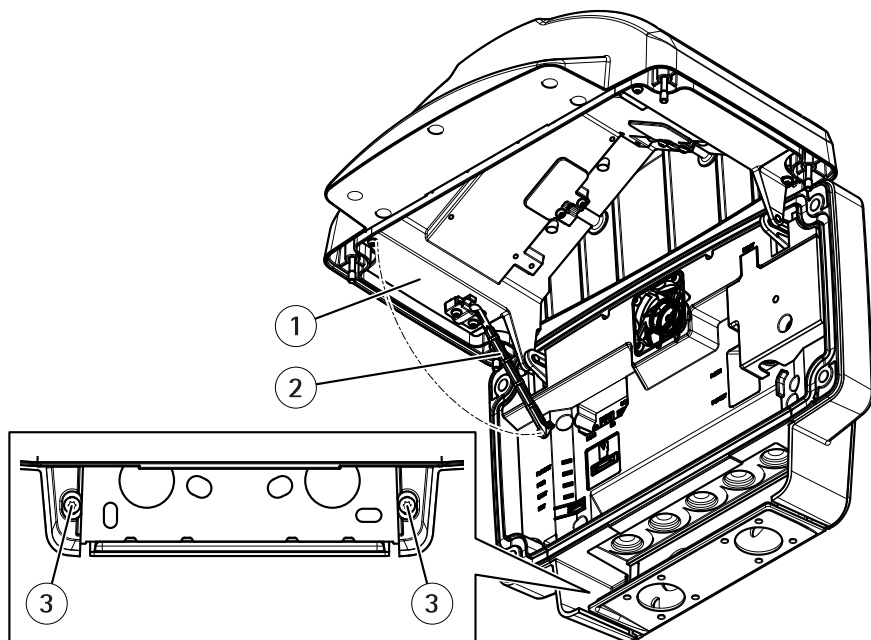
水漏れのリスクがあります。

- ケーブルガasketの原因となる可能性があるため、ネットワークケーブルはキャップ付きネットワークコネクタで使用しないでください。
 - 直径5～9.5 mmのケーブルを使用します。
4. I/OまたはPTZカメラなどの補助デバイスを接続するには、各ケーブルについて上記の手順を繰り返します。
 5. フック付き取付ブラケットにレーダーを取り付けます。



- 1 フック(ブラケット側)
- 2 フック、レーダー側面

6. カバーのネジをゆるめ、カバーを開きます。
7. ストラットを所定の位置にはめ込み、カバーを開いた位置にロックします。
8. 1 N mのトルクでネジを締めます。



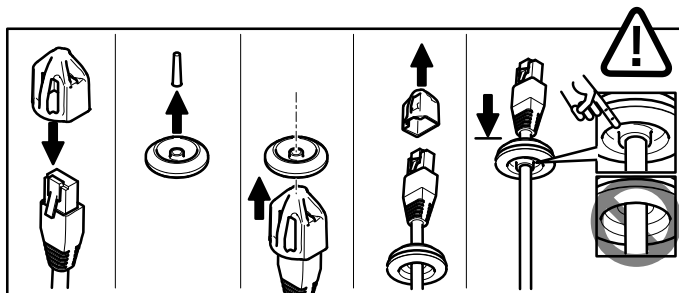
- 1 カバー
- 2 ストラット
- 3 ネジ×2

9. microSDカードをローカルストレージとして使用する場合は、レーダーのmicroSDカードスロットにカードを挿入します。
10. 左側のケーブルガasketを取り除き、タブを引いてネットワークケーブル用の穴を開けます。

▲注意

水漏れのリスクがあります。

- 使用するケーブルガasketの穴のみを開けます。
 - ケーブルガasketが破れている場合は、新しいケーブルガasketに交換します。
11. ネットワークケーブルをケーブルガasketに通します。



12. ネットワークケーブルを少し手前に引き、ケーブルガasketをケーブルにぴったりと合わせます。

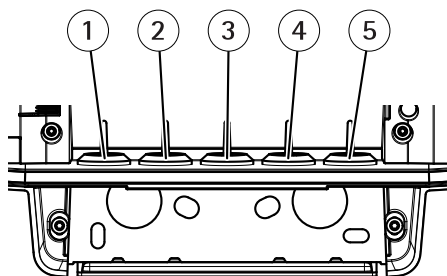
▲注意

水漏れのリスクがあります。ケーブルガasketがケーブル上で正しく調整されていないと、水が浸透して製品を損傷する可能性があります。

13. ケーブルガasketを戻します。

14. I/Oなどの補助デバイスを接続する場合、それぞれのデバイスについて同じ手順を繰り返します。複数のケーブルを使用する場合、各ケーブルをそれぞれ別のケーブルガasketに通す必要があります。

JA



- 1 ネットワーク
- 2 ネットワークデバイスへのPoE出力
- 3 電源
- 4 I/O
- 5 アース/接点

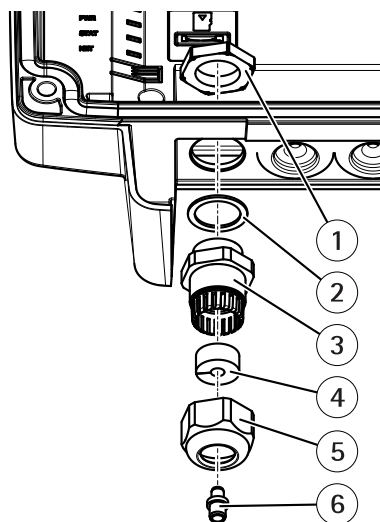
15. ストレインリリーフ付きケーブルグランドを使用する場合、以下のように組み立てます。ナットとキャップを手でしっかりと締めます。

▲注意

水漏れのリスクがあります。

AXIS D2110-VE Security Radar

- ケーブルグランドを通してケーブルを1本だけ引き出します。
- 直径5～6 mmのケーブルを使用します。



- 1 ナット
- 2 ガスケット
- 3 本体
- 4 シール
- 5 キャップ
- 6 プラグ(破棄)

16. レーダーを接地します:

▲警告

- 断面1.5～4 mm²のアースケーブルを使用してください (AWG 16～11)。
- ストレインリリーフは、直径8.5～9.5 mmのケーブル用に設計されています。小さいケーブル直径でのストレインリリーフを使用するには、付属のケーブルグランドとストレインリリーフを使用します。

16.1 ネジとカバーを外します。

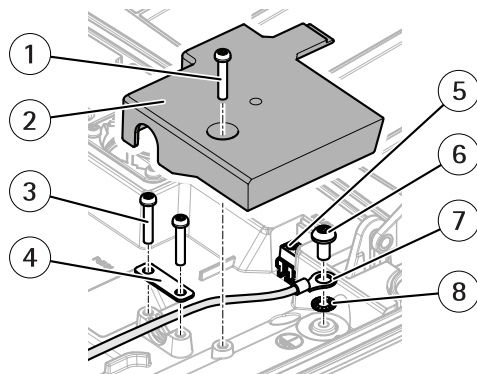
16.2 外部装置を接点コネクタに接続します。

16.3 アース端子ネジを外します。

16.4 ケーブルシュープライヤーを使用して、アース線をケーブルシューに取り付けます。

16.5 ワッシャーとケーブルシューをネジで締めます。

- 16.6 レーダーから外部電気機器を制御するには、ケーブルをレーダーの接点に接続します。
- 16.7 ストレインリリーフでケーブルを固定します。
- 16.8 ネジを使用してカバーを固定します。



- 1 ネジ
- 2 カバー
- 3 ネジ
- 4 ストレインリリーフ
- 5 接点コネクタ
- 6 アース端子ネジ
- 7 ケーブルシュー
- 8 ワッシャー

- 17. レーダーに外部デバイスを接続します。
- 18. ネットワークケーブルを接続します。
- 19. PoEを使用していない場合は、DC電源を接続します。

▲注意

デバイスの損傷の危険があります。PoEとDCの両方を使用してデバイスの電源を入れないでください。

- 20. LEDが正しい状態を示しているかを確認します。137ページ、LEDインジケータを参照してください。
- 21. ストラットを引いてカバーを閉じます。
- 22. 1 N mのトルクで4つのネジを締めます。

ネットワーク上のデバイスを検索する

Windows®でAxisデバイスを探してIPアドレスの割り当てを行う方法については、AXIS IP UtilityまたはAXIS Device Managerを使用してください。いずれのアプリケーションも無料で、axis.com/supportからダウンロードできます。

IPアドレスの検索や割り当てを行う方法の詳細については、[IPアドレスの割り当てとデバイスへのアクセス方法を参照してください。](#)

ブラウザーサポート

以下のブラウザーで装置を使用できます。

	Chrome™	Firefox®	Edge™	Safari®
Windows®	推奨	推奨	✓	
macOS®	推奨	推奨	✓	✓
Linux®	推奨	推奨	✓	
その他のオペレーティングシステム	✓	✓	✓	✓*

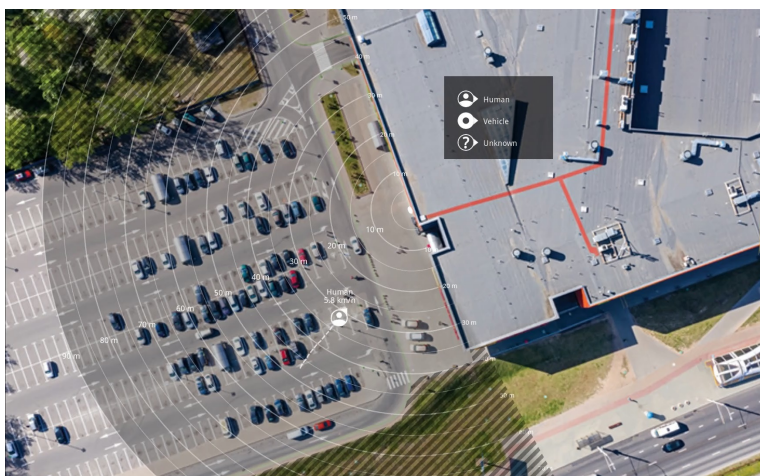
* iOS 15またはiPadOS 15でAXIS OS Webインターフェースを使用するには、**[設定] > [Safari] > [詳細] > [Experimental Features]** に移動し、**[NSURLSession Websocket]** を無効にします。

デバイスの使用方法の詳細については、Axisのホームページ axis.com でユーザーマニュアルを参照してください。

マップキャリブレーション

本レーダーは取り付け後すぐにご利用いただけます。デフォルトのライブビューにはレーダーの検知範囲と検知した動きが表示され、検知ゾーンやルールをすぐに追加できます。

レーダーが地上3.5 mに設置されている場合は、他に何もする必要はありません。レーダーが別の高さに取り付けられている場合は、レーダーのキャリブレーションを行って、取り付けの高さを補正する必要があります。



JA

物体が動いている場所を見やすくするために、平面図や航空写真など、レーダーがカバーしている範囲を示す参照マップをアップロードすることができます。

画像の要件は以下のとおりです。

- サポートされるファイル形式は、jpegとpngです。
- 画像はレーダーでトリミングすることができます。
- 画像はレーダーで $\pm 35^\circ$ 回転できます。
- キャリブレーション中にレーダーの到達範囲の形状が画像に合わせて移動するため、向きは重要ではありません。

参照マップをアップロードした後、実際のレーダーの検知範囲が参照マップの位置、方向、縮尺と合うように、参照マップのキャリブレーションを行う必要があります。

Webインターフェースで、参照マップ内をクリックしてキャリブレーションを行います。サイトへの物理的なアクセスは必要ありません。

AXIS D2110-VE Security Radar

キャリブレーションの詳細については、axis.comでユーザーマニュアルを参照してください。

工場出荷時の設定にリセットする

重要

工場出荷時の設定へのリセットは慎重に行ってください。工場出荷時の設定へのリセットを行うと、IPアドレスを含むすべての設定が工場出荷時の値にリセットされます。

本製品を工場出荷時の設定にリセットするには、以下の手順を実行します。

1. 本製品の電源を切ります。
2. コントロールボタンを押した状態で電源を再接続します。 *124ページ、製品の概要を参照してください。*
3. ステータスLEDインジケーターがオレンジ色に点滅するまで、コントロールボタンを15～30秒間押し続けます。
4. コントロールボタンを離します。プロセスが完了すると、ステータスLEDが緑色に変わります。これで本製品は工場出荷時の設定にリセットされました。ネットワーク上に利用可能なDHCPサーバーがない場合、デフォルトのIPアドレスは192.168.0.90になります。
5. インストールおよび管理ソフトウェアツールを使用して、IPアドレスの割り当て、パスワードの設定、ビデオストリームへのアクセスを行います。
*axis.com/support*のサポートページに、インストールおよび管理ソフトウェアツールが用意されています。

JA

Webインターフェースを使用して、各種パラメーターを工場出荷時の設定に戻すこともできます。 **Settings > System > Maintenance (設定 > システム > メンテナンス)** を選択し、 **Default (デフォルト)** をクリックします。

関連情報

- 装置のインストールガイドとユーザーマニュアルは、axis.comで入手可能です。
- ご使用の装置の更新されたファームウェアバージョンがリリースされているかどうかを確認するには、axis.com/supportをご覧ください。
- 役に立つトレーニング、webセミナー、チュートリアル、ガイドについては、axis.com/academyをご覧ください。

オプションアクセサリ

本製品で利用可能なすべてのアクセサリについては、axis.comで本製品のページを開いて「ソフトウェア&アクセサリ」を参照してください。

- AXIS T91R61 Wall Mount
- AXIS T91B47 Pole Mount
- AXIS T94R01B Corner Bracket

仕様

LEDインジケーター

ステータスLED	説明
緑	正常動作の場合、緑色に点灯します。

ネットワークLED	説明
緑	1Gbit/sネットワークに接続している場合、点灯します。ネットワークパケットを送受信した場合、点滅します。
オレンジ	10/100Mbit/sネットワークに接続している場合、点灯します。ネットワークパケットを送受信した場合、点滅します。
無点灯	ネットワーク接続なし。

電源LED	説明
緑	正常動作。

PoE出力 LED	説明
消灯	PoE出力がオフになっています
緑	PoE出力がオンになっています

SDカードスロット

推奨するSDカードについては、axis.comを参照してください。

ボタン

コントロールボタン

コントロールボタンの位置については、124ページ、製品の概要を参照してください。

コントロールボタンは、以下の用途で使用します。

- 製品を工場出荷時の設定にリセットする。135ページを参照してください。

コネクター

ネットワークコネクター

Power over Ethernet Plus (PoE+) 対応RJ45イーサネットコネクター

▲注意

デバイスの損傷の危険があります。PoEとDCの両方を使用してデバイスの電源を入れないでください。

ネットワークコネクタ (PoE出力)

Power over Ethernet IEEE 802.3at type 2、最大30 W

このコネクタを使用して、別のPoEデバイス(カメラ、警報スピーカー、2番目のセキュリティレーダーなど)に電力を供給します。

注

PoE出力は、レーダーが60 Wミッドスパン (Power over Ethernet IEEE 802.3 bt、type 3) によって給電されている場合に有効になります。

注

レーダーが30 WミッドスパンまたはDC電源によって給電されている場合、PoE出力は無効になっています。

注

イーサネットケーブルの最大長は、PoE出力とPoE入力を組み合わせた合計の100 mです。PoEエクステンダーを使用して、延長することができます。

注

接続するPoE装置が30 Wを超える電力を必要とする場合は、レーダーのPoE出力ポートと装置の間に60 Wミッドスパンを追加できます。ミッドスパンが装置に電力を供給し、セキュリティレーダーがイーサネット接続を提供するようになります。

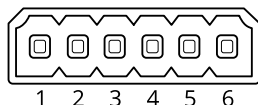
I/Oコネクター

I/Oコネクターに外部装置を接続し、イベントトリガーやアラーム通知などと組み合わせて使用することができます。I/Oコネクターは、0 V DC基準点と電力 (DC出力) に加えて、以下のインターフェースを提供します。

デジタル入力 - 開回路と閉回路の切り替えが可能なデバイス (PIRセンサー、ドア/窓の接触、ガラス破損検知器など) を接続するための入力です。

デジタル出力 - リレーやLEDなどの外部デバイスを接続します。接続された装置は、VAPIX®アプリケーションプログラミングインターフェースを通じたイベントまたは製品のWebページからアクティブにすることができます。

6ピンターミナルブロック

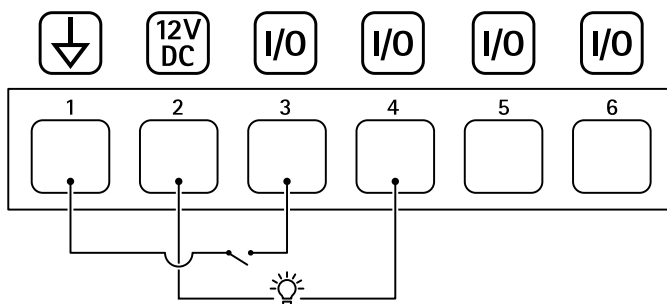


機能	ピン	備考	仕様
DCグラウンド	1		0 V DC
DC出力	2	補助装置の電源供給に使用できます。 注: このピンは、電源出力としてのみ使用できます。	12 V DC 最大負荷 = 50 mA
設定可能 (入力または出力)	3-6	デジタル入力 - 動作させるにはピン1に接続し、動作させない場合はフロート状態(未接続)のままにします。	0~30 V DC (最大)
		デジタル出力 - アクティブ時はピン1 (DCグラウンド) に内部接続し、非アクティブ時はフロート状態(未接続)にします。リレーなど、誘導負荷とともに使用する場合は、過渡電圧から保護するために、ダイオードを負荷と並列に接続します。	0~30 V DC (最大)、オープンドレイン、100 mA

JA

例:

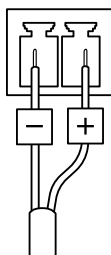
AXIS D2110-VE Security Radar



- 1 DCグランド
- 2 DC出力 12 V、最大50 mA
- 3 I/O (入力として設定)
- 4 I/O (出力として設定)
- 5 設定可能I/O
- 6 設定可能I/O

電源コネクタ

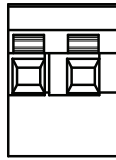
DC電源入力用2ピンターミナルブロック。100 W以下に制限された定格出力電力で、安全超低電圧 (SELV) 準拠の制限電源 (LPS) 8–28 V DCを使用してください。



▲注意

デバイスの損傷の危険があります。PoEとDCの両方を使用してデバイスの電源を入れないでください。

リレーコネクタ



▲注意

接点コネクタには単心線を使用してください。

機能	仕様
タイプ	NO (ノーマルオープン)
定格	24 V DC/5 A
他の回路からの定格絶縁	2.5 kV

JA

侵入アラームスイッチ

侵入アラームスイッチを使用すれば、誰かが装置のハウジングを開いたときに通知を受け取ることができます。アクションルールを設定する方法については、axis.comでユーザーマニュアルを参照してください。

安全情報

危険レベル

▲危険

回避しない場合、死亡または重傷につながる危険な状態を示します。

▲警告

回避しない場合、死亡または重傷につながるおそれのある危険な状態を示します。

▲注意

回避しない場合、軽傷または中程度の怪我につながるおそれのある危険な状態を示します。

注意

回避しない場合、器物の破損につながるおそれのある状態を示します。

その他のメッセージレベル

重要

製品を正しく機能させるために不可欠な重要情報を示します。

注

製品を最大限に活用するために役立つ有用な情報を示します。

安全手順

▲危険

感電の危険があります。製品の設置やメンテナンスを行う前にすべてのケーブルの通電を切ってください。

▲警告

本製品の設置は、お使いになる地域の法律や規制に準拠して、訓練を受けた専門技術者が行ってください。

▲注意

鋭く尖った金属部分には注意してください。取り付け時は、手を切ってしまう事故を防ぐために、耐切創手袋を使用してください。

注意

- 本製品は、お使いになる地域の法律や規制に準拠して使用してください。
- Axisは、シールドネットワークケーブル (STP) の使用を推奨します。
- Axisは、カテゴリCAT6以上のネットワークケーブルの使用を推奨します。
- 本製品は乾燥した換気のよい環境に保管してください。
- 本製品に衝撃または強い圧力を加えないでください。
- 本製品に振動を加えないでください。
- 本製品を不安定なポール、ブラケット、表面、または壁に設置しないでください。
- 本製品を振動するポール、ブラケット、表面、または壁に設置しないでください。
- 本製品を設置する際には、適切な工具のみを使用してください。電動工具を使用して過剰な力をかけると、製品が損傷することがあります。
- 化学薬品、腐食剤、噴霧式クリーナーは使用しないでください。
- 清掃には、きれいな水に浸した清潔な布を使用してください。
- 製品の技術仕様に準拠したアクセサリのみを使用してください。これらのアクセサリは、Axisまたはサードパーティから入手できます。Axisは、ご使用の製品と互換性のあるAxis給電ネットワークスイッチの使用を推奨します。
- Axisが提供または推奨する交換部品のみを使用してください。
- 製品を自分で修理しないでください。修理については、Axisサポートまたは販売代理店にお問い合わせください。
- 最低1.5 mm²または15 AWGの黄/緑色のアースケーブルを使用してください。

輸送

注意

- 本製品を運搬する際は、製品が損傷しないよう、元の梱包か同等の梱包を使用してください。

バッテリー

本製品は、内部リアルタイムクロック (RTC) 用電源として、3.0 V BR2032リチウムバッテリーを使用します。このバッテリーは、通常条件下で最低5年間使用できます。

バッテリーが低電力状態になると、RTCの動作に影響し、電源を入れるたびにRTCがリセットされます。バッテリーの電圧が低下すると、製品のサーバーレポートにログメッセージが表示されます。

▲注意

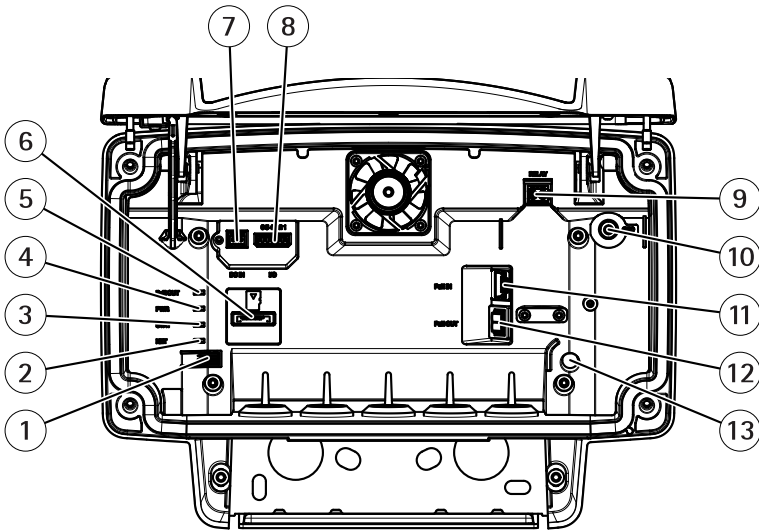
自分でバッテリーを交換しないでください。バッテリー交換を求めるログメッセージが表示された場合は、Axisサポートにお問い合わせください。

リチウムコイン型3.0 V電池は、1,2-ジメトキシエタン (エチレングリコールジメチルエーテル (EGDME)、CAS番号110-71-4) を含有しています。

包装内容

- AXIS D2110-VE Security Radar
- 安装支架
- 管接头（2 个）
- 用于立杆托架的螺丝 T30（4 个）。
- Torx TR20 螺丝刀
- RJ45 安装工具
- 电缆终端套管
- 锁紧垫圈
- 电缆垫圈，灰色（2 个）
- 电缆垫圈，黑色（2 个）
- 电缆套管
- 用于连接外部设备的 6 针脚输入/输出连接板
- 备用撑杆
- 印刷材料
 - 安装指南（本文档）
 - 额外序号标签（2 个）
 - AVHS 身份验证密钥
 - 钻孔模板
 - 雷达监控标签

产品概述



- 1 控制按钮
- 2 网络指示灯
- 3 LED 状态指示灯
- 4 电源灯
- 5 PoE 输出 LED
- 6 microSD 卡槽
- 7 电源连接器 (DC)
- 8 I/O 连接器
- 9 中继连接器
- 10 接地螺丝
- 11 网络连接器 (PoE 输入)
- 12 网络连接器 (PoE 输出)
- 13 入侵报警传感器

有关技术规格，请参见规格 160。

产品安装位置

- 雷达用于监视开阔区域。覆盖区域内的大多数实体物体（如墙体、围栏、树木或大灌木丛）背后会形成盲点（雷达阴影）。
- 将雷达安装在没有其他物体或装置的稳定立杆或墙面的一个点上。雷达图左侧和右侧 1 米（3 英尺）以内的物体，可反映无线电波，从而影响雷达的性能。
- 视野中的金属物体导致反射会影响雷达执行分类的能力。
- 如果要在同一个共存区域中安装两个以上的雷达，请参见 *axis.com* 上的用户手册以了解更多信息。

区域侦测范围

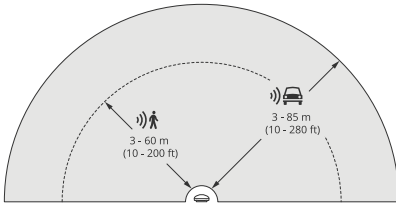
侦测范围是指能够跟踪物体并触发警报的距离。它是从**接近侦测限制**（可进行侦测的设备接近）到**较远侦测限制**（可进行侦测的距离）算起的。

但**区域监控配置文件**针对人机侦测进行了优化，它还允许您以 ± 2 km/h (1.24 mph) 的速度准确度及高达 55 km/h (34 mph) 的速度跟踪车辆和其他物体。

以理想安装高度安装时，侦测范围包括：

- 当侦测人时，**3-60 m (10-200 ft)**
- 当侦测车辆时，**3-85 m (10-280 ft)**

ZH



注

- 如果您将雷达安装在其他不同高度，请在校准雷达时在产品网页中输入实际的安装高度。
- 侦测范围受场景的影响。
- 侦测范围受邻近雷达的影响。
- 侦测范围受物体类型的影响。

在以下情况下会测量侦测范围：

- 范围将沿地面测量。
- 目标为身高 170 cm (5 ft 7 in) 的人。

AXIS D2110-VE Security Radar

- 人在雷达前方行走。
- 当人进入侦测区域时将测量这些值。
- 雷达灵敏度设置为中。

安装高度	垂直转动 0°	垂直转动 10°	垂直转动 20°
2.5 米 (8.2 英尺)	3.0-60 米 (9.8-197 英尺)	不推荐	不推荐
3.5 米 (11 英尺)	3.0-60 米 (9.8-197 英尺)	不推荐	不推荐
4.5 米 (15 英尺)	4.0-60 米 (13-197 英尺)	不推荐	不推荐
5.5 米 (18 英尺)	7.5-60 米 (25-197 英尺)	不推荐	不推荐
6.5 米 (21 英尺)	7.5-60 米 (25-197 英尺)	5.5-60 米 (18-197 英尺)	不推荐
8 米 (26 英尺)	不推荐	9-60 米 (30-197 英尺)	7.5-30 米 (25-98 英尺)
10 米 (33 英尺)	不推荐	15-60 米 (49-197 英尺)	9-35 米 (30-115 英尺)
12 米 (39 英尺)	不推荐	23-60 米 (75-197 英尺)	13-38 米 (43-125 英尺)
14 米 (36 英尺)	不推荐	27-60 米 (89-197 英尺)	17-35 米 (56-115 英尺)
16 米 (52 英尺)	不推荐	不推荐	25-50 米 (82-164 英尺)

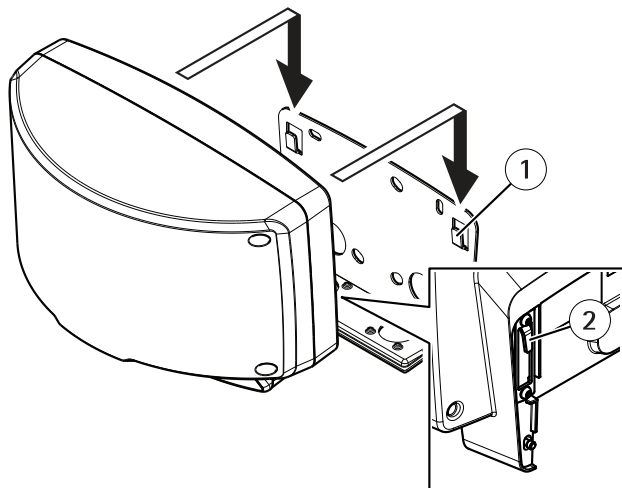
如何安装产品

1. 使用钻孔模板在墙上钻孔。
2. 将安装支架紧固至墙壁。
3. 将网络电缆穿过安装支架。留出大约 30 厘米（12 英寸）的电缆来连接雷达。

⚠ 警示

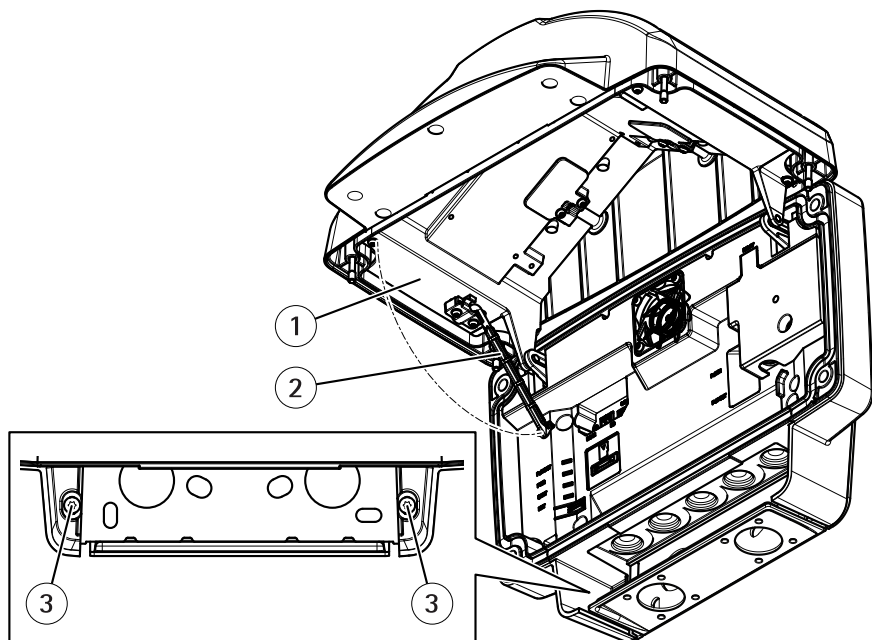
漏水风险。

- 请勿使用具有带帽网络连接器的网络电缆，因为它们可能导致线缆垫圈破损。
 - 请使用直径为 5–9.5 毫米（0.2–0.4 英寸）的电缆。
4. 要连接辅助设备（例如，输入/输出或 PTZ 摄像机），请对每根电缆重复上述步骤。
 5. 使用挂钩将雷达连接至安装支架。



- 1 挂钩，支架侧面
- 2 挂钩，雷达侧面

6. 旋松外壳上的螺丝，然后打开外壳。
7. 将撑杆对齐到位置，将外壳锁定到打开位置。
8. 拧紧扭矩为 1 Nm (0.7 lb ft) 的螺丝。



- 1 外壳
- 2 撑杆
- 3 螺丝 (2个)

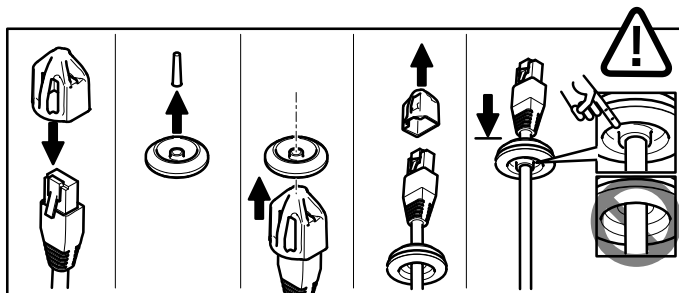
9. 要使用用于本地存储的 microSD 卡，请将卡插入雷达的 microSD 卡槽中。
10. 取下左线缆垫圈，并拉动耳片以打开网络电缆孔。

⚠ 警示

漏水风险。

- 请仅打开所使用的线缆垫圈上的孔。
- 如果线缆垫圈破损，请更换新线缆垫圈。

11. 推动网络电缆，使其穿过线缆垫圈。



12. 轻轻回拉网络电缆，以便调整线缆垫圈在电缆上的位置。

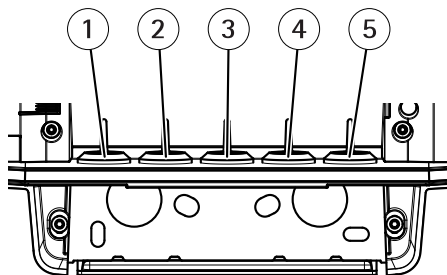


警告

漏水风险。如果线缆垫圈未在电缆上正确调节，水有可能渗入，造成产品损坏。

13. 将线缆垫圈放回原位。

14. 如果要连接一个辅助装置（例如，输入/输出），则重复以上适用于特殊装置的步骤。如果使用不止一根电缆，则必须将每根电缆都穿过各自的线缆垫圈。



- 1 网络
- 2 PoE 输出到网络设备
- 3 电源
- 4 输入/输出
- 5 接地/继电器

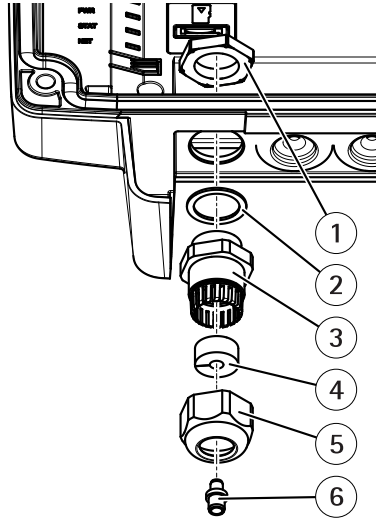
15. 若要使用一个带应变消除件的电缆套管，则将其按如下所示进行装配。手动牢固拧紧螺母和盖帽。



警告

漏水风险。

- 从线缆密封套内只拉出一根电缆。
- 请使用直径为 5-6 毫米（0.2-0.24 英寸）的电缆。



- 1 螺母
- 2 垫圈
- 3 主体
- 4 密封
- 5 盖帽
- 6 塞子 (丢弃)

16. 将雷达接地：



警告

- 请使用横截面为 1.5–4 平方毫米的接地电缆 (AWG 16–11)。
- 应力消除器专门用于直径为 8.5–9.5 毫米 (0.33–0.37 英寸) 的电缆。要在更小的电缆直径上使用应力消除器，请使用提供的带应力消除器的线缆密封套。

16.1 卸下螺丝和外壳。

16.2 将外部设备连接到中继连接器。

16.3 卸下接地螺丝。

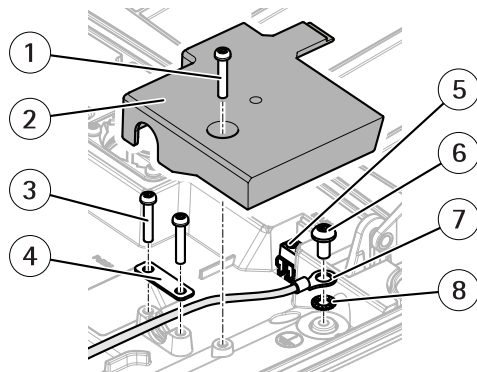
16.4 使用电缆套管钳将接地电缆连接到电缆终端套管。

16.5 用螺丝紧固垫圈和电缆终端套管。

16.6 要从雷达控制外部电气设备，请将电缆连接到雷达的继电器。

16.7 使用应力消除器紧固电缆。

16.8 使用螺丝紧固外壳。



- 1 螺丝
- 2 外壳
- 3 螺丝
- 4 应力消除器
- 5 中继连接器
- 6 接地螺丝
- 7 电缆终端套管
- 8 垫圈

- 17. 将外部设备连接至雷达。
- 18. 连接网络电缆。
- 19. 如果未使用 PoE，请连接 DC 电源。

⚠ 警示

设备损坏风险。请勿使用 PoE 和 DC 为设备供电。

- 20. 请确保 LED 指示正确状态。请参见 *LED 指示灯 160*。
- 21. 拉出撑杆，关上外壳。
- 22. 拧紧扭矩为 1 Nm (0.7 lb ft) 的四颗螺丝。

在网络上查找设备

若要在网络中查找 Axis 设备并为它们分配 Windows® 中的 IP 地址，请使用 AXIS IP Utility 或 AXIS 设备管理器。这两种应用程序都是免费的，可以从 axis.com/support 上下载。

有关如何查找和分配 IP 地址的更多信息，请转到 *如何分配一个 IP 地址和访问您的设备*。

AXIS D2110-VE Security Radar

浏览器支持

您可以在以下浏览器中使用该设备：

	Chrome™	Firefox®	Edge™	Safari®
Windows®	推荐	推荐	✓	
macOS®	推荐	推荐	✓	✓
Linux®	推荐	推荐	✓	
其他操作系统	✓	✓	✓	✓*

*要在 iOS 15 或 iPadOS 15 上使用 AXIS OS 网页界面，请转到 **设置 > Safari > 高级 > 实验功能**，并禁用 *NSURLSession Websocket*。

要查找更多有关设备使用方法的信息，请参见 *axis.com* 上提供的用户手册。

地图校准

一旦安装完毕，雷达即可使用。默认实时视图将显示雷达覆盖范围和侦测到的移动，您可以立即添加侦测区域和规则。

如果雷达安装在地面以上 3.5 米（11 英尺）处，则无需再执行其他操作。如果安装在其他高度，您需要校准雷达来达到安装高度要求。



ZH

为了能够更加轻松地查看物体移动位置，您可以上载一份显示雷达覆盖区域的参考图（例如，一份平面图或航拍照片）。

图像要求：

- 支持的文件格式为 jpeg 和 png。
- 图像可在雷达中裁剪。
- 图像可在雷达中旋转 $\pm 35^\circ$ 。
- 方向并不重要，因为在校准期间雷达覆盖范围形状会移动，以使其适应图像。

上载参考图之后，您需要校准参考图，以使实际的雷达覆盖范围符合参考图的位置、方向和范围。

通过单击参考地图，可在网页界面中执行校准。您不需要物理访问场所。

有关如何校准的更多信息，请参见 axis.com 上的用户手册

重置为出厂默认设置

重要

重置为出厂默认设置时应谨慎。重置为出厂默认设置会将全部设置（包括 IP 地址）重置为出厂默认值。

将产品重置为出厂默认设置：

1. 断开产品电源。
2. 按住控制按钮，同时重新连接电源。请参见 *产品概述 148*。
3. 按住控制按钮 15–30 秒，直到 LED 状态指示灯呈橙色闪烁。
4. 松开控制按钮。当 LED 状态指示灯变绿时，此过程完成。产品已重置为出厂默认设置。如果网络上没有可用的 DHCP 服务器，则默认 IP 地址为 192.168.0.90。
5. 使用安装和管理软件工具分配 IP 地址、设置密码和访问视频流。

安装和管理软件工具可在 axis.com/support 的支持页上获得。

也可通过网页界面将参数重置为出厂默认设置。转到 **设置 > 系统 > 维护**，然后单击 **默认**。

更多信息

- 设备的安装指南和用户手册可从 axis.com 获得。
- 要检查是否有设备的更新固件版本，请参见 axis.com/support。
- 如需有用的培训、在线研讨会、教程和指南，请参见 www.axis.com/academy。

可选附件

欲查看本产品可用附件的完整列表，请转到 axis.com 上的产品页并选择“软件和附件”。

- AXIS T91R61 Wall Mount
- AXIS T91B47 Pole Mount
- AXIS T94R01B Corner Bracket

规格

LED 指示灯

LED 状态指示灯	指示
绿色	绿色常亮表示正常工作。

LED 网络指示灯	指示
绿色	稳定表示连接到 1 Gbit/s 网络。闪烁表示网络活动。
琥珀色	常亮表示连接到 10/100 Mbit/s 网络。闪烁表示网络活动。
不亮	无网络连接。

LED 电源指示灯	指示
绿色	工作正常。

PoE 输出 LED	指示
不亮	PoE 输出关闭
绿色	PoE 输出打开

SD 卡插槽

有关 SD 卡的建议，请参见 axis.com。

按钮

控制按钮

有关控制按钮的位置，请参见 [产品概述 148](#)。

控制按钮用于：

- 将产品重置为出厂默认设置。请参见 [158](#)。

连接器

网络连接器

采用以太网供电 增强版 (PoE+) 的 RJ45 以太网连接器。

⚠ 警示

设备损坏风险。请勿使用 PoE 和 DC 为设备供电。

网络连接器 (PoE 输出)

以太网供电 IEEE 802.3at 2 型，最大 30W

此连接器用于为其他 PoE 设备（例如，摄像机、喇叭扬声器或另一个安全雷达）供电。

注

PoE 输出在雷达由 60 W 中跨 (PoE IEEE 802.3bt, 3 型) 供电时启用。

注

如果雷达通过 30 W 中跨或直流电源供电，将禁用 PoE。

注

以太网电缆长度上限为 100 米 (PoE 进出总计)。您可以使用 PoE 扩展器来延长。

注

如果已连接的 PoE 设备需要 30 W 以上，则您可在雷达和设备的 PoE 输出端口之间添加一个 60 W 的中跨。中跨将为设备供电，而安全雷达将提供以太网连接。

ZH

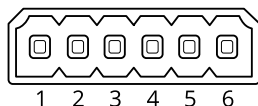
I/O 连接器

使用 I/O 连接器连接外部设备，并结合应用事件触发和报警通知等功能。除 0 V DC 参考点和电源 (DC 输出) 外，I/O 连接器还提供连接至以下模块的接口：

数字输入 – 用于连接可在开路和闭路之间切换的设备，例如 PIR 传感器、门/窗磁和玻璃破碎侦测器。

数字输出 – 用于连接继电器和 LED 等外部设备。已连接的设备可由 VAPIX® 应用程序编程接口、通过事件或从产品网页进行激活。

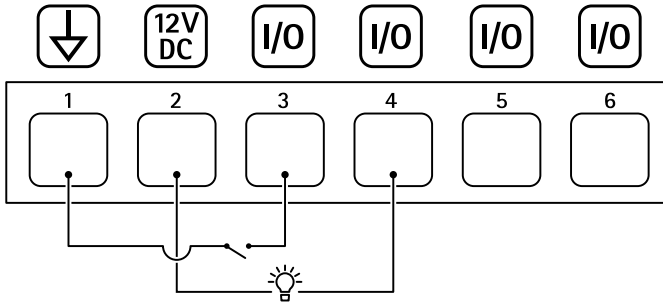
6 针接线端子



AXIS D2110-VE Security Radar

功能	针脚	注意事项	规格
DC 接地	1		0 V DC
DC 输出	2	可用于为辅助设备供电。 注意：此针脚只能用作电源输出。	12 V DC 最大负载 = 50 mA
可配置（输入或输出）	3-6	数字输入 - 连接至针脚 1 以启用，或保留浮动状态（断开连接）以停用。	0 至最大 30 V DC
		数字输出 - 启用时内部连接至针脚 1（DC 接地），停用保留浮动状态（断开连接）。 如果与电感负载（如继电器）一起使用，则将二极管与负载并联连接，以防止电压瞬变。	0 至最大 30 V DC， 开漏，100 mA

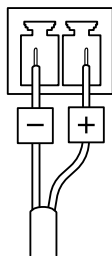
示例



- 1 DC 接地
- 2 DC 输出 12 V, 最大 50 mA
- 3 I/O 配置为输入
- 4 I/O 配置为输出
- 5 可配置的 I/O
- 6 可配置的 I/O

电源连接器

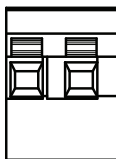
用于 DC 电源输入的 2 针脚接线盒。使用额定输出功率限制在 ≤ 100 W 的安全超低电压 (SELV) 兼容式限功率电源 (LPS) 8–28 V DC。



⚠ 警示

设备损坏风险。请勿使用 PoE 和 DC 为设备供电。

中继连接器



⚠ 警示

使用用于中继连接器的单芯电线。

ZH

功能	规格
类型	正常开启
额定电压	24 V DC/5 A
与其他电路绝缘	2.5 kV

入侵报警开关

使用入侵报警开关可以在有人打开设备护罩时收到通知。要设置操作规则，请参见 axis.com 上提供的用户手册。

安全信息

危险等级

▲危险

表示如果不避免则会导致死亡或严重伤害的危险情况。

▲警告

表示如果不避免则可能导致死亡或严重伤害的危险情况。

▲警示

表示如果不避免则可能导致轻微或中度伤害的危险情况。

注意

表示如果不避免则可能导致财产损失的情况。

其他消息等级

重要

表示产品正常工作所必需的重要信息。

注

表示有助于充分利用产品的有用信息。

安全说明

⚠ 危险

电击风险。在安装或执行产品维护之前，电缆应断电。

⚠ 警告

Axis 产品应由受过培训的专业人员进行安装，并遵守当地法律和法规。

⚠ 警示

请小心锋利的金属边缘。为避免割伤，请在安装期间使用防割手套。

注意

- 使用 Axis 产品时应遵守当地法律和法规。
- 安讯士推荐使用屏蔽网络电缆 (STP)。
- 安讯士建议使用类别 CAT6 或更高级别的网线。
- 在干燥通风的环境中存放安讯士产品。
- 避免将安讯士产品暴露在冲击或高压环境下。
- 避免将安讯士产品暴露在振动环境下。
- 请勿将产品安装在不稳固的立杆、支架、表面或墙壁上。
- 请勿将本产品安装在振动的立杆、支架、表面或墙壁上。
- 安装安讯士产品时，仅使用适用的工具。使用电动工具过度施力可能导致产品损坏。
- 请勿使用化学品、腐蚀剂或气雾剂。
- 使用蘸纯净水的干净布进行清洁。
- 仅使用符合产品技术规格的附件。这些附件可由安讯士或第三方提供。安讯士推荐使用与产品兼容的安讯士电源设备。
- 仅使用安讯士提供或推荐的备件。
- 请勿尝试自行维修产品。有关服务事项，请联系安讯士支持部门或安讯士经销商。
- 使用一根至少为 1.5 平方毫米或 15 AWG 的黄色/绿色接地电缆。

运输

注意

- 安讯士产品运输途中，应使用其原包装或等效包装，以防对产品造成损坏。

电池

安讯士产品使用 3.0 V BR2032 锂电池作为其内部实时时钟 (RTC) 的电源。在正常情况下，此电池将持续至少五年。

蓄电池电量过低会影响实时时钟的运行，从而导致实时时钟在每次上电时重置。当电池电压较低时，产品的服务器报告中将显示一条日志消息。

▲ 警示

请勿自行更换电池。如果日志消息要求更换电池，请联系安讯士支持部门。

3.0 V 纽扣锂电池内含 1,2-二甲氧基乙烷；乙二醇二甲醚 (EGDME)，CAS 编号为 110-71-4。

Installation guide

AXIS D2110-VE Security Radar

© 2021 - 2023 Axis Communications AB

Ver. M4.2

Date: February 2023

Part no. 2298522