

# AXIS Q1615-E Mk II Network Camera

## Installation Guide



English

EN

France: Français

FR

Deutschland: Deutsch

DE

Italia: Italiano

IT

España: Español

ES

日本: 日本語

JA

中文: 简体中文

ZH

## Legal considerations

Video and audio surveillance can be regulated by laws that vary from country to country. Check the laws in your local region before using this product for surveillance purposes.

This product includes the following licences:

- one (1) AAC decoder license
- one (1) H.264 decoder license

To purchase further licenses, contact your reseller.

## Liability

Every care has been taken in the preparation of this document. Please inform your local Axis office of any inaccuracies or omissions. Axis Communications AB cannot be held responsible for any technical or typographical errors and reserves the right to make changes to the product and manuals without prior notice. Axis Communications AB makes no warranty of any kind with regard to the material contained within this document, including, but not limited to, the implied warranties of merchantability and fitness for a particular purpose. Axis Communications AB shall not be liable nor responsible for incidental or consequential damages in connection with the furnishing, performance or use of this material. This product is only to be used for its intended purpose.

## Intellectual property rights

Axis AB has intellectual property rights relating to technology embodied in the product described in this document. In particular, and without limitation, these intellectual property rights may include one or more of the patents listed at [axis.com/patent](http://axis.com/patent) and one or more additional patents or pending patent applications in the US and other countries.

This product contains licensed third-party software. See the menu item "About" in the product's user interface for more information.

This product contains source code copyright Apple Computer, Inc., under the terms of Apple Public Source License 2.0 (see [opensource.apple.com/apsl](http://opensource.apple.com/apsl)). The source code is available from [developer.apple.com/bonjour/](http://developer.apple.com/bonjour/).

## Equipment modifications

This equipment must be installed and used in strict accordance with the instructions given in the user documentation. This equipment contains no user-serviceable components. Unauthorized equipment changes or modifications will invalidate all applicable regulatory certifications and approvals.

## Trademark acknowledgements

AXIS COMMUNICATIONS, AXIS and VAPIX are registered trademarks or trademark applications of Axis AB in various jurisdictions. All other company names and products are trademarks or registered trademarks of their respective companies.

Apple, Apache, Bonjour, Ethernet, Internet Explorer, Linux, Microsoft, Mozilla, Real, SMPTE, QuickTime, UNIX, Windows, and WWW are registered trademarks of the respective holders. Java and all Java-based trademarks and logos are trademarks or registered trademarks of Oracle and/or its affiliates. The UPnP Word Mark and UPnP Logo are trademarks of Open Connectivity Foundation, Inc. in the United States or other countries.



microSD, microSDHC, and microSDXC Logos are trademarks of SD-3C LLC. microSD, microSDHC, microSDXC are trademarks or registered trademarks of SD-3C, LLC in the United States, other countries or both.

## Support

Should you require any technical assistance, please contact your Axis reseller. If your questions cannot be answered immediately, your reseller will forward your queries through the appropriate channels to ensure a rapid response. If you are connected to the Internet, you can:

- download user documentation and software updates
- find answers to resolved problems in the FAQ database, search by product, category, or phrase
- report problems to Axis support staff by logging in to your private support area
- chat with Axis support staff
- visit Axis Support at [axis.com/support](http://axis.com/support)

## Learn more!

Visit Axis learning center [axis.com/academy](http://axis.com/academy) for useful trainings, webinars, tutorials and guides.

## Regulatory information

### Europe



This product complies with the applicable CE marking directives and harmonized standards:

- Electromagnetic Compatibility (EMC) Directive 2014/30/EU. See *Electromagnetic compatibility (EMC) on page 4*.
- Low Voltage Directive (LVD) 2014/35/EU. See *Safety on page 5*.
- Restriction of Hazardous Substances (RoHS) Directive 2011/65/EU and 2015/863, including any amendments, updates or replacements. See *Disposal and recycling on page 5*.

A copy of the original declaration of conformity may be obtained from Axis Communications AB. See *Contact information on page 5*.

### Electromagnetic compatibility (EMC)

This equipment has been designed and tested to fulfill applicable standards for:

- Radio frequency emission when installed according to the instructions and used in its intended environment.
- Immunity to electrical and electromagnetic phenomena when installed according to the instructions and used in its intended environment.

### USA

This device complies with part 15 of the FCC Rules. Operation is subject to the following two conditions:

1. This device may not cause harmful interference, and
2. This device must accept any interference received, including interference that may cause undesired operation.

This equipment has been tested using an unshielded network cable (UTP) and found to comply with the limits for a Class A digital device, pursuant to part 15 of the FCC rules. This equipment has also been tested using a shielded network cable (STP) and found to comply with the limits for a Class A digital device, pursuant to part 15 of the FCC rules. These limits are designed to provide reasonable protection against harmful interference when the equipment is operated in a commercial environment. This equipment generates, uses, and can radiate radio frequency energy and, if not installed and used in accordance with the instruction manual, may cause harmful interference to radio communications. Operation of this equipment in a residential area is likely to cause harmful interference in which case the user will be required to correct the interference at his own expense.

**Contact information**  
 Axis Communications Inc.  
 300 Apollo Drive  
 Chelmsford, MA 01824  
 United States of America  
 Tel: +1 978 614 2000

**Canada**

This digital apparatus complies with CAN ICES-3 (Class A). The product shall be connected using a shielded network cable (STP) that is properly grounded. Cet appareil numérique est conforme à la norme CAN NMB-3 (classe A). Le produit doit être connecté à l'aide d'un câble réseau blindé (STP) qui est correctement mis à la terre.

**Europe**

This digital equipment fulfills the requirements for RF emission according to the Class A limit of EN 55032. The product shall be connected using a shielded network cable (STP) that is properly grounded. Notice! This is a Class A product. In a domestic environment this product may cause RF interference, in which case the user may be required to take adequate measures.

**Australia/New Zealand**

This digital equipment fulfills the requirements for RF emission according to the Class A limit of AS/NZS CISPR 22. The product shall be connected using a shielded network cable (STP) that is properly grounded. Notice! This is a Class A product. In a domestic environment this product may cause RF interference, in which case the user may be required to take adequate measures.

**Japan**

この装置は、クラスA機器です。この装置を住宅環境で使用すると電波妨害を引き起こすことがあります。この場合には使用者が適切な対策を講ずるよう要求されることがあります。VCCI-A本製品は、シールドネットワークケーブル(STP)を使用して接続してください。また適切に接地してください。

本製品は電気通信事業者(移動通信会社、固定通信会社、インターネットプロバイダ等)の通信回線(公衆無線LANを含む)に直接接続することができません。本製品をインターネットに接続する場合は、必ずルータ等を経由し接続してください。

**Korea**

이 기기는 업무용 환경에서 사용할 목적으로 적합성 평가를 받은 기기로서 가정용 환경에서 사용하는 경우 전파간섭의 우려가 있습니다. 적절히 접지된 STP (shielded twisted pair) 케이블을 사용하여 제품을 연결하십시오.

**Safety**

This product complies with IEC/EN/UL 60950-1 and IEC/EN/UL 60950-22, Safety of Information Technology Equipment. The product shall be grounded either through a shielded network cable (STP) or other appropriate method.

**Disposal and recycling**

When this product has reached the end of its useful life, dispose of it according to local laws and regulations. For information about your nearest designated collection point, contact your local authority responsible for waste disposal. In accordance with local legislation, penalties may be applicable for incorrect disposal of this waste.

**Europe**



■ This symbol means that the product shall not be disposed of together with household or commercial waste.

Directive 2012/19/EU on waste electrical and electronic equipment (WEEE) is applicable in the European Union member states. To prevent potential harm to human health and the environment, the product must be disposed of in an approved and environmentally safe recycling process. For information about your nearest designated collection point, contact your local authority responsible for waste disposal. Businesses should contact the product supplier for information about how to dispose of this product correctly.

This product complies with the requirements of Directive 2011/65/EU and 2015/863 on the restriction of the use of certain hazardous substances in electrical and electronic equipment (RoHS).

**China**



This product complies with the requirements of SJ/T 11364-2014, Marking for the restriction of hazardous substances in electrical and electronic products.

有毒有害物质或元素						
部件名称	铅 (Pb)	汞 (Hg)	镉 (Cd)	六价铬 (Cr-VI)	多溴苯 (PB-B)	多溴二苯醚 (PB-DE)
电气安装部分	X	0	0	0	0	0
0: 表示该有毒有害物质在该部件所有均质材料中的含量均在GB/T 26572标准规定的限量要求以下。 X: 表示该有毒有害物质至少在该部件的某一均质材料中的含量超出GB/T 26572标准规定的限量要求。						

**Contact information**

Axis Communications AB  
 Emdalavägen 14  
 223 69 Lund  
 Sweden  
 Tel: +46 46 272 18 00  
 Fax: +46 46 13 61 30  
 axis.com



## Safety information

### Hazard levels

**▲ DANGER**

Indicates a hazardous situation which, if not avoided, will result in death or serious injury.

**▲ WARNING**

Indicates a hazardous situation which, if not avoided, could result in death or serious injury.

**▲ CAUTION**

Indicates a hazardous situation which, if not avoided, could result in minor or moderate injury.

**NOTICE**

Indicates a situation which, if not avoided, could result in damage to property.

### Other message levels

**Important**

Indicates significant information which is essential for the product to function correctly.

**Note**

Indicates useful information which helps in getting the most out of the product.

# AXIS Q1615-E Mk II Network Camera

---

## Safety instructions

### **NOTICE**

- The Axis product shall be used in compliance with local laws and regulations.
- Axis recommends using a network cable of category CAT5e or higher.
- To use the Axis product outdoors, or in similar environments, it shall be installed in an approved outdoor housing.
- Store the Axis product in a dry and ventilated environment.
- Avoid exposing the Axis product to shocks or heavy pressure.
- Do not install the product on unstable poles, brackets, surfaces or walls.
- Use only applicable tools when installing the Axis product. Using excessive force with power tools could cause damage to the product.
- Do not use chemicals, caustic agents, or aerosol cleaners.
- Use a clean cloth dampened with pure water for cleaning.
- Use only accessories that comply with the technical specification of your product. These can be provided by Axis or a third party. Axis recommends using Axis power source equipment compatible with your product.
- Use only spare parts provided by or recommended by Axis.
- Do not attempt to repair the product yourself. Contact Axis support or your Axis reseller for service matters.
- The power supply shall be plugged in to a socket outlet installed near the product and shall be easily accessible.
- Use a limited power source (LPS) with either a rated output power limited to  $\leq 100$  W or a rated output current limited to  $\leq 5$  A.

## Transportation

### **NOTICE**

- When transporting the Axis product, use the original packaging or equivalent to prevent damage to the product.

## Battery

The Axis product uses a 3.0 V CR2032 lithium battery as the power supply for its internal real-time clock (RTC). Under normal conditions this battery will last for a minimum of five years.

Lithium coin cell 3.0 V batteries contain 1,2-dimethoxyethane; ethylene glycol dimethyl ether (EGDME), CAS no. 110-71-4.



## Installation Guide

This Installation Guide provides instructions for installing AXIS Q1615-E Mk II Network Camera on your network. For other aspects of using the product, see the User Manual available at [www.axis.com](http://www.axis.com)

## Installation Steps

1. Make sure the package contents, tools and other materials necessary for the installation are in order. See *page 9*.
2. Study the product overview. See *Product overview on page 10*
3. Study the specifications. See *page 17*.
4. Install the hardware. See *page 19*.

## Package contents

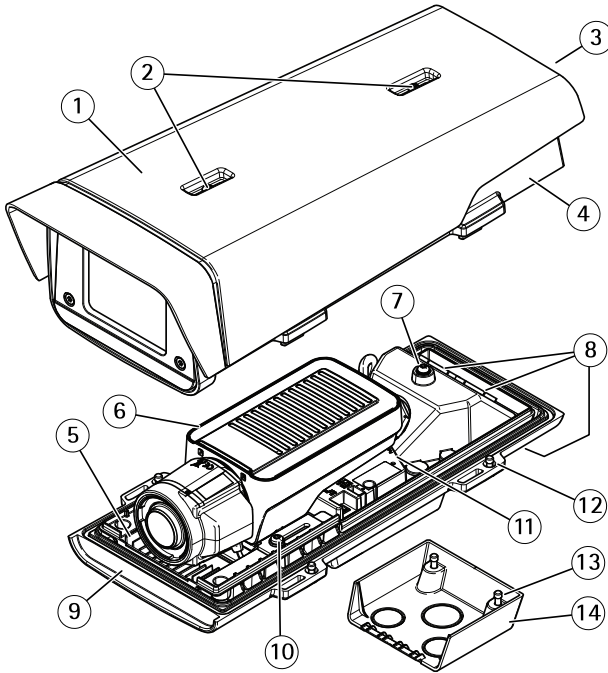
- AXIS Q1615-E Mk II Network Camera
- 4-pin I/O connector block for connecting external devices
- 2-pin RS485/422 connector block (x2)
- Wall mount
- Torx screwdriver T20
- Printed materials
  - Installation Guide (this document)
  - Extra serial number label (2x)
  - AVHS Authentication key

## Optional Accessories

For information about available accessories, including power accessories and outdoor housings see [www.axis.com](http://www.axis.com)

# AXIS Q1615-E Mk II Network Camera

## Product overview

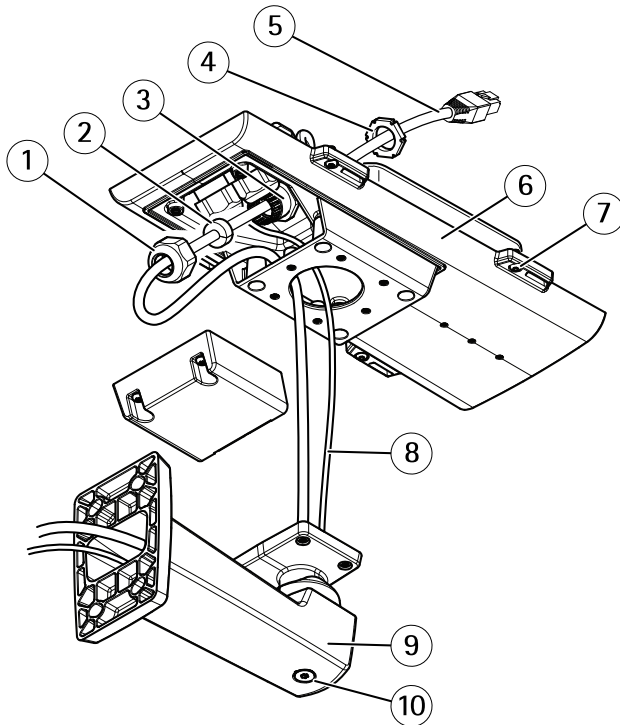


- 1 Sunshield
- 2 Sunshield adjustment screws
- 3 Product number (P/N) & Serial number (S/N)<sup>1</sup>
- 4 Top cover
- 5 Heater. Caution! May be hot.
- 6 Network camera

- 7 Safety wire tab
- 8 Cable holes with cable gland
- 9 Bottom cover
- 10 Screws + nylon washers (2x)<sup>2</sup>
- 11 Network connector
- 12 Bottom cover screws (4x)
- 13 Cable cover screws (2x)
- 14 Cable cover

<sup>1</sup> The serial number may be required during installation.

<sup>2</sup> You must use the nylon washers when you mount the camera in the housing.



- 1 Cable gland
- 2 Gasket
- 3 Cable hole
- 4 Cable gland
- 5 Network cable (route through wall bracket)

# AXIS Q1615-E Mk II Network Camera

---

- 6 *Bottom cover*
- 7 *Bottom cover screws (4x)*
- 8 *Grounding cable*
- 9 *Wall mount*
- 10 *Bracket adjustment screw*

## LED Indicators

### Note

- The Status LED can be configured to be unlit during normal operation. To configure, go to **Settings > System > Plain config**.
- The Status LED can be configured to flash while an event is active.
- The Status LED can be configured to flash for identifying the unit. Go to **Settings > System > Plain config**.

Status LED	Indication
Green	Steady green for normal operation.
Amber	Steady during startup. Flashes when restoring settings.
Red	Firmware upgrade failure.

### Note

The Network LED can be disabled so that it does not flash when there is network traffic. To configure, go to **Settings > System > Plain config**.

Network LED	Indication
Green	Steady for connection to a 100 Mbit/s network. Flashes for network activity.
Amber	Steady for connection to a 10 Mbit/s network. Flashes for network activity.
Unlit	No network connection.

### Note

The Power LED can be configured to be unlit during normal operation. To configure, go to **Settings > System > Plain config**.

Power LED	Indication
Green	Normal operation.
Amber	Flashes green/amber during firmware upgrade.

## Housing LED indicators

**Note**

The housing LED referred to in the table below is located in the housing.

Alarm events will be triggered through the camera's input port.

Housing LED (fan and heater)	Indication
Green	Normal operation.
Flashing green	Single flash: Heater error Double flash: Fan error Triple flash: General error

Contact your Axis reseller for information about spare parts and troubleshooting.

## Status LED behavior for focus assistant

**Note**

Only valid for optional P-iris, DC-iris or manual iris lenses.

The status LED flashes when the Focus Assistant is active.

Color	Indication
Red	The image is out of focus. Adjust the lens.
Amber	The image is close to focus. The lens needs fine tuning.
Green	The image is in focus.

## Buzzer signal for focus assistant

**Note**

Only valid for optional P-iris, DC-iris or manual iris lenses.

Buzzer	Lens
Fast interval	Optimally adjusted
Medium interval	Less optimally adjusted
Slow interval	Poorly adjusted

# AXIS Q1615-E Mk II Network Camera

---

## Status LED behavior and buzzer signal for leveling assistant

For information on the function button used for leveling the camera, see *page 15*.

Press and hold the function button (2) for more than two seconds to level the camera.

- When the camera is level, both LEDs are steady green, and the beep is continuous.
- When the camera is not level, the LEDs flash a combination of red, green and orange, and the beep occurs at slow intervals.

Both LEDs briefly flash green to indicate that the leveling is getting better.

## SD card slot

### **NOTICE**

- Risk of damage to SD card. Do not use sharp tools, metal objects, or excessive force when inserting or removing the SD card. Use your fingers to insert and remove the card.
- Risk of data loss and corrupted recordings. Do not remove the SD card while the product is running. Unmount the SD card from the product's webpage before removal.

This product supports microSD/microSDHC/microSDXC cards.

For SD card recommendations, see *axis.com*.

## Connectors

### Network connector

RJ45 Ethernet connector with Power over Ethernet (PoE).

### **NOTICE**

Due to local regulations or the environmental and electrical conditions in which the product is to be used, a shielded network cable (STP) may be appropriate or required. All cables connecting the product to the network and that are routed outdoors or in demanding electrical environments shall be intended for their specific use. Make sure that the network devices are installed in accordance with the manufacturer's instructions. For information about regulatory requirements, see *Electromagnetic compatibility (EMC) on page 4*.

### I/O connector

Use the I/O connector with external devices in combination with, for example, motion detection, event triggering, and alarm notifications. In addition to the 0 V DC reference point and power (DC output), the I/O connector provides the interface to:

**Digital input** – For connecting devices that can toggle between an open and closed circuit, for example PIR sensors, door/window contacts, and glass break detectors.

**Digital output** – For connecting external devices such as relays and LEDs. Connected devices can be activated by the VAPIX® Application Programming Interface or from the product’s webpage.

**Note**

The I/O connector is connected to the housing (fan/heater) on delivery. In case of a fan or heater error, an input signal will be triggered in the camera. Set up an action rule in the camera to configure which action the signal shall trigger. For information about events and action rules, see the user manual available on [axis.com](http://axis.com).

**Audio connector**

- **Audio in** – 3.5 mm input for a mono microphone, or a line-in mono signal (left channel is used from a stereo signal).
- **Audio out** – 3.5 mm output for audio (line level) that can be connected to a public address (PA) system or an active speaker with a built-in amplifier. A stereo connector must be used for audio out.



	1 Tip	2 Ring	3 Sleeve
<b>Audio Input</b>	Balanced: 'Hot' signal Microphone/Line in  Unbalanced: Microphone/Line in	Balanced: 'Cold' signal Microphone/Line in  Unbalanced: Unused	Ground
<b>Audio Output</b>	Line out, mono	Line out, mono	Ground

The internal microphone is used by default; the external microphone is used when connected. You can disable the internal microphone by connecting a plug to the microphone input.

**RS485/RS422 connector**

Two 2-pin terminal blocks for RS485/RS422 serial interface used to control auxiliary equipment such as pan-tilt devices.

**Buttons**

**Control button**

For location of the control button, see *Product overview on page 10*.

# AXIS Q1615-E Mk II Network Camera

---

The control button is used for:

- Resetting the product to factory default settings. See *page 24*.
- Connecting to an AXIS Video Hosting System service. To find out more about this service, see *axis.com*

## Function button

### Note

Focus assistant is only valid for optional P-iris, DC-iris or manual iris lenses.

Use the function button to activate the following functions:

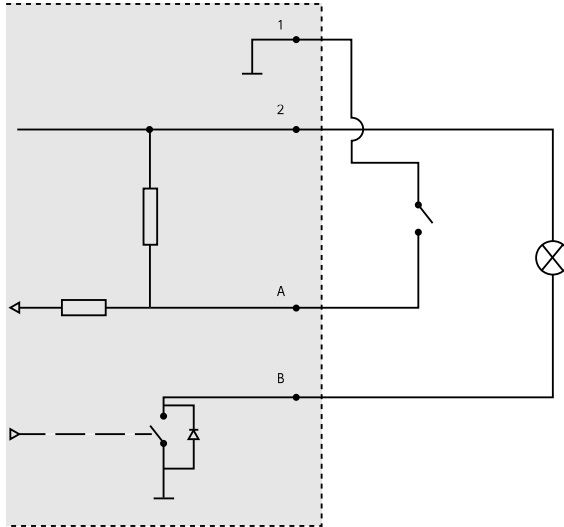
**Leveling assistant** – This function helps to make sure the camera is level. To start the leveling assistant, press the button for about 3 seconds. Press again to stop the leveling assistant. The status LED and buzzer signal assist leveling of the camera, see *Status LED behavior and buzzer signal for leveling assistant on page 14*. The camera is level when the buzzer beeps continuously.

**Focus assistant** – This function is used for enabling the focus assistant. To enable the focus assistant, press and very quickly release the button. Press again to stop the focus assistant.



## Connection Diagrams

### I/O Connector



- 1 0 VDC (-)
- 2 DC output 12 V, max 50 mA
- A I/O configured as input
- B I/O configured as output

## Specifications

### Operating Conditions

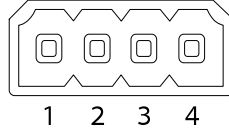
Product	Temperature	Humidity RH (condensing)
AXIS Q1615-E Mk II	-30 °C to 60 °C (-22 °F to 140 °F) with PoE; down to -40 °C (-40 °F) with High PoE	10-100%

# AXIS Q1615-E Mk II Network Camera

## Connectors

I/O connector

4-pin terminal block

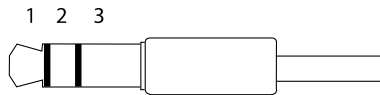


For an example diagram, see *Connection Diagrams* on page 17.

Function	Pin	Notes	Specifications
0 V DC (-)	1		
DC output	2	Can be used to power auxiliary equipment. Note: This pin can only be used as power out.	12 V DC Max load = 50 mA
Configurable (Input or Output)	3-4	Digital input – Connect to pin 1 to activate, or leave floating (unconnected) to deactivate.	0 to max 30 V DC
		Digital output – Connected to pin 1 when activated, floating (unconnected) when deactivated. If used with an inductive load, e.g. a relay, a diode must be connected in parallel with the load, for protection against voltage transients.	0 to max 30 V DC, open drain, 100 mA

## Audio Connector

3.5 mm audio connectors (stereo)



	1 Tip	2 Ring	3 Sleeve
<b>Audio Input</b>	Balanced: 'Hot' signal Microphone/Line in  Unbalanced: Microphone/Line in	Balanced: 'Cold' signal Microphone/Line in  Unbalanced: Unused	Ground
<b>Audio Output</b>	Line out, mono (stereo connector compatible)	Line out, mono (stereo connector compatible)	Ground

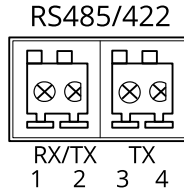
The internal microphone is used by default; the external microphone is used when connected. It is possible to disable the internal microphone by connecting a plug to the mic input.

## RS485/RS422 connector

Two 2-pin terminal blocks for RS485/RS422 serial interface used to control auxiliary equipment such as pan-tilt devices.

The serial port can be configured to support:

- Two-wire RS485 half duplex
- Four-wire RS485 full duplex
- Two-wire RS422 simplex
- Four-wire RS422 full duplex point to point communication



Function	Pin	Notes
RS485B alt RS485/422 RX(B)	1	RX pair for all modes (combined RX/TX for 2-wire RS485)
RS485A alt RS485/422 RX(A)	2	
RS485/RS422 TX(B)	3	TX pair for RS422 and 4-wire RS485
RS485/RS422 TX(A)	4	

### Important

The maximum cable length is 30 m (98 ft).

## Install the hardware

Do the following to install the wall bracket:

### Note

- The weight of the camera is 3525 g (7.7 lb). Check that the material is strong enough to support this weight.

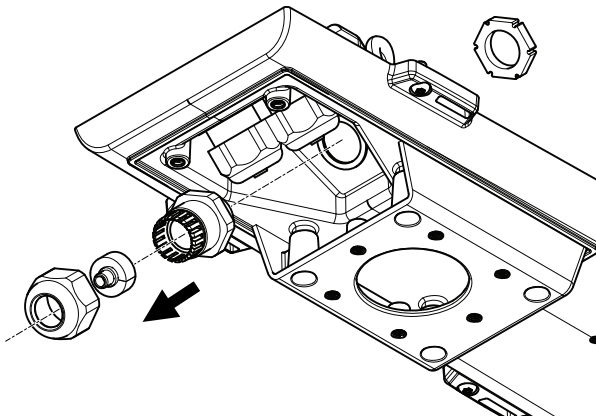
# AXIS Q1615-E Mk II Network Camera

---

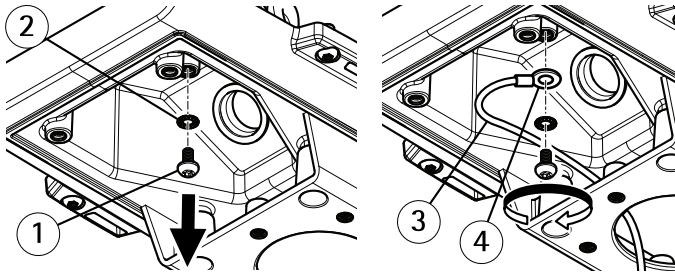
- Using any other than the provided cable gland may cause water to seep in and damage the product.
  - Always use a shielded network cable (STP) intended for outdoor use between the Axis product and the end point and ensure that the end point is properly grounded. Installations of Axis products using a shielded network cable (STP) and a properly grounded end point have been tested to comply with industry immunity standard levels such as surge protection. Any other installation method will void the warranty and leave the unit at a risk.
  - An optional cable with a diameter of 4.0 mm - 5.5 mm should be routed through a separate cable gland. See *Product overview on page 10*.
1. Use the supplied drill template to prepare a wall or pole for installation of the wall bracket.
  2. Route the network cable through the wall bracket, and through the bracket adapter. Leave approximately 30 cm (11.8") of cable for connecting to the camera.
  3. Install the wall bracket on a wall, ceiling, or pole using screws and plugs appropriate for the material (e.g. wood, metal, sheet rock, stone).

Do the following to route the network and other (optional) cables:

1. Loosen the bottom cover screws and lift the top cover.
2. Loosen the cable cover screws; detach the cable cover from the bottom cover.

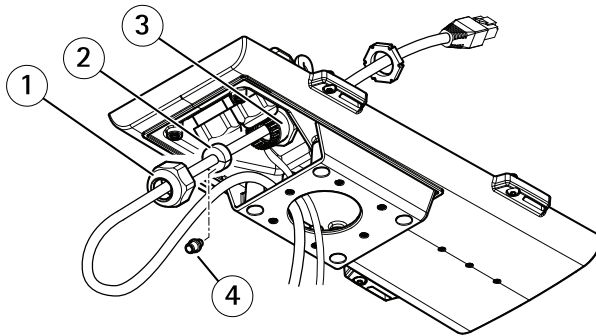


3. Remove the cap, the plug and the gasket from the cable gland to be used.
4. Remove the grounding screw, washer and grounding shoe ring.
5. Fasten the shoe ring mounted grounding wire and washer with the grounding screw.



- 1 Grounding screw
- 2 Washer
- 3 Grounding wire
- 4 Shoe ring

- 6. Route the network cable through the cap.
- 7. Slide the network cable through the slit in the gasket.
- 8. Route the network cable through the cable gland.



- 1 Cap
- 2 Gasket
- 3 Cable gland
- 4 Plug (discard)

- 9. Press the gasket into the cable gland and screw the cap on firmly.

Do the following to attach the camera to the wall bracket:

- 1. Place the camera with the bottom cover on the wall bracket and tighten the bracket screws.
- 2. Replace the cable cover and tighten the screws.
- 3. Connect the cables. See *Connect the Cables* on page 22.

# AXIS Q1615-E Mk II Network Camera

---

4. Loosen the bracket adjustment screw to focus the camera; focus the camera according to the instructions under *Adjust zoom and focus for included lens on page 22*.
5. Also see to access the video stream.
6. Attach the safety wire in the top cover to the tab in the bottom cover. See image under *Product overview on page 10*
7. Optionally insert an SD memory card (not included) into the SDHC (Secure Digital High Capacity) card slot. A standard or high capacity SD card is required to store images locally in the camera.

## Connect the Cables

### NOTICE

Due to local regulations or the environmental and electrical conditions in which the product is to be used, a shielded network cable (STP) may be appropriate or required. Any network cables that are routed outdoors or in demanding electrical environments shall be shielded (STP) and intended for their specific use.

### Note

To locate the different components see illustrations under *Product overview on page 10*.

1. Optionally connect external input/output devices, see *Connectors on page 18*.
2. Connect the network cable to the network connector in the housing.
3. Fasten the shoe ring mounted grounding wire and washer with the grounding screw.

## Find the device on the network

To find Axis devices on the network and assign them IP addresses in Windows®, use AXIS IP Utility or AXIS Device Manager. Both applications are free and can be downloaded from [axis.com/support](http://axis.com/support).

For more information about how to find and assign IP addresses, see the document *How to assign an IP address and access your device* on the device page at [axis.com](http://axis.com).

## Adjust zoom and focus for included lens

1. Go to **Settings > Image > Focus** and click **Show AF area**.
2. Adjust the autofocus area to cover the part of the image that you want to be in focus. If you don't select an autofocus area, the camera focuses on the entire scene. We recommend that you focus on a static object.
3. Adjust the **Zoom** level.
4. Click **Autofocus**.

### Note

If the camera does not focus, try to calibrate the optics in **System > Maintenance**, and perform auto focus again.

## Replace the lens

1. Stop all recordings and disconnect power from the product.
2. Disconnect the lens cable and remove the standard lens.
3. Attach the new lens and connect the lens cable.
4. Reconnect the power.
5. Log in to the product's webpage, go to the **Image** tab and then select the **P-Iris** lens you have installed.

### Note

If you use a DC iris lens, select **Generic DC Iris**.

6. For the changes to take effect, you need to restart the device. Go to **System > Maintenance** and click **Restart**.
7. Adjust the zoom and focus.

## Adjust zoom and focus for optional lenses

If the camera is mounted so that you cannot look at the image and access the lens at the same time, use the Focus Assistant, see *Focus assistant for optional lenses on page 23*.

### Note

Only valid for optional P-iris, DC-iris or manual iris lenses.

1. Go to **Settings > Image > Focus**.
2. Click **Fine-tune**.
3. Adjust the autofocus area to cover the part of the image that you want to be in focus.  
If you don't select an autofocus area, the camera focuses on the entire scene. We recommend that you focus on a static object.
4. Click **Reset focus**.
5. Loosen the zoom and focus pullers on the lens by turning them counter-clockwise.
6. Move the zoom and focus ring to set zoom and focus and check the image quality in the image window.
7. Re-tighten the zoom and focus pullers when satisfied with the image focus.
8. If the image focus has slightly changed while tightening the zoom and focus pullers, click **Fine-tune**.
9. If you want to slightly adjust the focus position, move the **Focus position** slider.

## Focus assistant for optional lenses

### Note

- Only valid for optional P-iris, DC-iris or manual iris lenses.

# AXIS Q1615-E Mk II Network Camera

---

- The view in front of the camera should not be changed during focus adjustment (steps 5 and 6). If the camera is moved, or if a finger or other object is placed in front of the lens, steps 3–7 will have to be repeated.
- If movements in front of the camera cannot be avoided, the Focus Assistant should not be used.
- If the camera is mounted so that the function button cannot be accessed, you can still use the Focus Assistant. Follow the instructions below but mount the camera after step 4, pressing the function button instead and skip step 7.

To focus your network camera using the Focus Assistant, follow steps 1–4 under *Adjust zoom and focus for optional lenses on page 23* before you start with the steps below.

1. Mount or place the camera so that it cannot be moved.
2. Loosen the zoom puller by turning it counter-clockwise. Move the puller to set the zoom level. Re-tighten the zoom puller.
3. Set the camera to its extreme distant-focus position by loosening the lock screw for the focus ring and turning the focus ring fully counter-clockwise.
4. Press and quickly release the function button. When the Status LED flashes green, the Focus Assistant is enabled.  
If the Status LED flashes either red or amber before you are able to adjust the lens, skip to step 7 to exit the Focus Assistant and repeat steps 3–7. See the notes above. See *Status LED behavior for focus assistant on page 13*.
5. Gently turn the focus ring clockwise until it stops.
6. Turn the focus ring slowly counter-clockwise until the status indicator flashes green or amber (not red).
7. To exit the Focus Assistant, press the function button again. The Focus Assistant is switched off automatically after 15 minutes.
8. Retighten the lock screw for the focus ring.
9. If the image focus has slightly changed while tightening the zoom and focus pullers, click **Fine-tune**.
10. If you want to slightly move focus position, move the **Focus position** slider.

## Reset to factory default settings

### Important

Reset to factory default should be used with caution. A reset to factory default resets all settings, including the IP address, to the factory default values.

To reset the product to the factory default settings:

1. Disconnect power from the product.
2. Press and hold the control button while reconnecting power. See *Product overview on page 10*.



3. Keep the control button pressed for 15–30 seconds until the status LED indicator flashes amber.
4. Release the control button. The process is complete when the status LED indicator turns green. The product has been reset to the factory default settings. If no DHCP server is available on the network, the default IP address is 192 . 168 . 0 . 90.
5. Use the installation and management software tools to assign an IP address, set the password, and access the video stream.

The installation and management software tools are available from the support pages on [axis.com/support](http://axis.com/support).

It is also possible to reset parameters to factory default through the web interface. Go to **Settings > System > Maintenance** and click **Default**.

## Further information

- For the latest version of this document, see [axis.com](http://axis.com)
- The user manual is available at [axis.com](http://axis.com)
- To check if there is updated firmware available for your device, see [axis.com/support](http://axis.com/support)
- For useful online trainings and webinars, see [axis.com/academy](http://axis.com/academy)

## Warranty information

For information about Axis' product warranty and thereto related information, go to [axis.com/warranty](http://axis.com/warranty).



## Informations sur la sécurité

### Niveaux de risques

#### **▲ DANGER**

Indique une situation dangereuse qui, si elle n'est pas évitée, entraînera le décès ou des blessures graves.

#### **▲ AVERTISSEMENT**

Indique une situation dangereuse qui, si elle n'est pas évitée, pourrait entraîner le décès ou des blessures graves.

#### **▲ ATTENTION**

Indique une situation dangereuse qui, si elle n'est pas évitée, pourrait entraîner des blessures légères ou modérées.

#### **AVIS**

Indique une situation qui, si elle n'est pas évitée, pourrait endommager l'appareil.

### Autres niveaux de message

#### **Important**

Indique les informations importantes, nécessaires pour assurer le bon fonctionnement de l'appareil.

#### **Note**

Indique les informations utiles qui permettront d'obtenir le fonctionnement optimal de l'appareil.

## Consignes de sécurité

### AVIS

- Le produit Axis doit être utilisé conformément aux lois et règlements locaux.
- Axis recommande d'utiliser un câble réseau de catégorie CAT5e ou supérieure.
- Pour pouvoir utiliser le produit Axis à l'extérieur, ou dans des environnements similaires, il doit être installé dans un boîtier d'extérieur homologué.
- Conserver ce produit Axis dans un environnement sec et ventilé.
- Ne pas exposer ce produit Axis aux chocs ou aux fortes pressions.
- Ne pas installer ce produit sur des poteaux, supports, surfaces ou murs instables.
- Utiliser uniquement des outils recommandés pour l'installation de l'appareil Axis. L'application d'une force excessive sur l'appareil avec des outils puissants pourrait l'endommager.
- Ne pas utiliser de produits chimiques, de substances caustiques ou de nettoyeurs pressurisés.
- Utiliser un chiffon propre imbibé d'eau pure pour le nettoyage.
- Utiliser uniquement des accessoires conformes aux caractéristiques techniques de votre produit. Ils peuvent être fournis par Axis ou un tiers. Axis recommande d'utiliser un équipement d'alimentation Axis compatible avec votre produit.
- Utiliser uniquement les pièces de rechange fournies ou recommandées par Axis.
- Ne pas essayer de réparer vous-même ce produit. Contacter l'assistance technique d'Axis ou votre revendeur Axis pour des problèmes liés à l'entretien.
- L'alimentation électrique doit être branchée à une prise de courant installée près de l'équipement et être facilement accessible.
- Utilisez une source d'alimentation limitée (LPS) dont la puissance de sortie nominale est limitée à  $\leq 100$  W et dont le courant de sortie nominal est limité à  $\leq 5$  A.

## Transport

### AVIS

- Lors du transport du produit Axis, utilisez l'emballage d'origine ou un équivalent pour éviter d'endommager le produit.

## Batterie

Le produit Axis utilise une batterie au lithium CR2032 3,0 V comme alimentation de son horloge en temps réel interne (RTC). Dans des conditions normales, cette batterie a une durée de vie minimale de cinq ans.

## AXIS Q1615-E Mk II Network Camera

---

Les piles boutons 3,0 V au lithium contiennent du 1,2-diméthoxyéthane, éthylène glycol diméthyl éther (EGDME), CAS n° 110-71-4.

FR



## Guide d'installation

Ce guide d'installation explique comment installer la caméra réseau AXIS Q1615-E Mk II sur votre réseau. Pour toute autre information relative à l'utilisation du produit, consultez le manuel de l'utilisateur disponible sur le site [www.axis.com](http://www.axis.com)

## Procédure d'installation

1. Assurez-vous que le contenu, les outils et autres matériels nécessaires à l'installation sont inclus dans l'emballage. Cf. *page 31*.
2. Consultez la vue d'ensemble du produit. Cf. *Vue d'ensemble du produit page 32*
3. Étudiez les caractéristiques. Cf. *page 39*.
4. Installez le matériel. Cf. *page 42*.

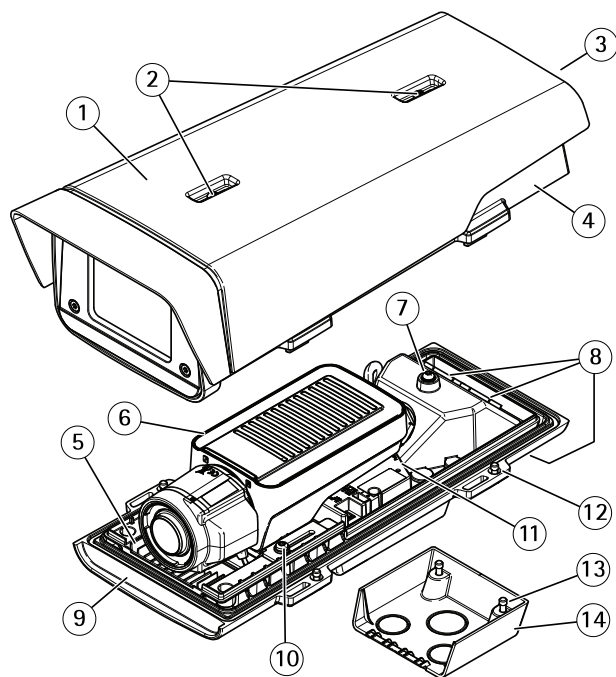
## Contenu de l'emballage

- Caméra réseau AXIS Q1615-E Mk II
- Bloc de connexion à 4 broches pour le raccordement de dispositifs externes au connecteur pour terminaux E/S
- Bloc de connexion RS485/422 à 2 broches (x2)
- Fixation murale
- Tournevis Torx T20
- Documents imprimés
  - Guide d'installation (ce document)
  - Étiquette supplémentaire de numéro de série (x2)
  - Clé d'authentification AVHS

## Accessoires en option

Pour plus d'informations sur les accessoires disponibles, y compris les accessoires d'alimentation et les boîtiers d'extérieur, consultez [www.axis.com](http://www.axis.com)

## Vue d'ensemble du produit



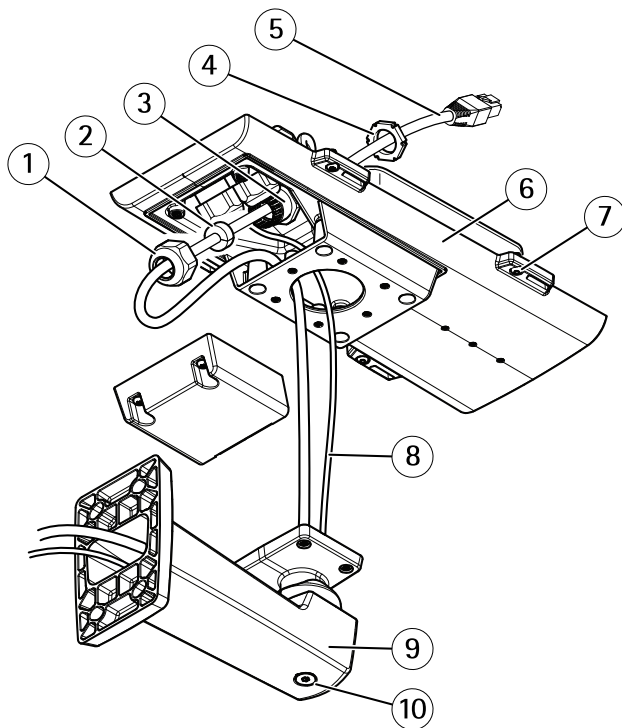
- 1 Pare-soleil
- 2 Vis de réglage du pare-soleil
- 3 Numéro de produit (P/N) et numéro de série (S/N)<sup>1</sup>
- 4 Couvercle supérieur
- 5 Régulateur de chaleur. Attention ! Peut être chaud.
- 6 Caméra réseau



- 7 Patte de fil de sécurité
- 8 Trous de câbles et presse-étoupe
- 9 Couvercle inférieur
- 10 Vis + rondelles nylon (x 2)<sup>2</sup>
- 11 Connecteur réseau
- 12 Vis du couvercle inférieur (x4)
- 13 Vis du couvercle de câble (x2)
- 14 Couvercle de câble

<sup>1</sup> Le numéro de série peut être requis pendant l'installation.

<sup>2</sup> Vous devez utiliser les rondelles nylon lors du montage de la caméra dans le boîtier.



- 1 Presse-étoupe
- 2 Joint
- 3 Perforation pour câbles
- 4 Presse-étoupe
- 5 Câble réseau (acheminé à travers le support mural)

- 6 Couvercle inférieur
- 7 Vis du couvercle inférieur (x4)
- 8 Câble de mise à la terre
- 9 Fixation murale
- 10 Vis de réglage du support

## Voyants

### Note

- Vous pouvez configurer la LED de statut de telle sorte qu'elle soit éteinte en fonctionnement normal. Pour cela, allez à **Settings > System > Plain config (Paramètres > Système > Configuration normale)**.
- Le voyant d'état peut clignoter lorsqu'un événement est actif.
- Vous pouvez configurer la LED de statut de telle sorte qu'elle clignote pendant l'identification de l'unité. Allez à **Settings > System > Plain config (Paramètres > Système > Configuration normale)**.

LED de statut	Indication
Vert	Vert et fixe en cas de fonctionnement normal.
Orange	Fixe pendant le démarrage. Clignote lors de la restauration des paramètres.
Rouge	Échec de la mise à niveau du firmware.

### Note

Vous pouvez désactiver la LED réseau de telle sorte qu'elle ne clignote pas en cas de trafic réseau. Pour cela, allez à **Settings > System > Plain config (Paramètres > Système > Configuration normale)**.

LED réseau	Indication
Verte	Fixe en cas de connexion à un réseau de 100 Mbits/s. Clignote en cas d'activité réseau.
Orange	Fixe en cas de connexion à un réseau de 10 Mbit/s. Clignote en cas d'activité réseau.
Éteint	Pas de connexion réseau.

### Note

Vous pouvez configurer la power LED de telle sorte qu'elle soit éteinte en fonctionnement normal. Pour cela, allez à **Settings > System > Plain config (Paramètres > Système > Configuration normale)**.

Power LED	Indication
Verte	Fonctionnement normal.
Orange	Le voyant vert/orange clignote pendant la mise à niveau du firmware.

## Voyants DEL du boîtier

### Note

Le voyant du boîtier figurant dans le tableau ci-dessous est situé dans le boîtier.

Les événements d'alarmes sont déclenchés par le biais du port d'entrée de la caméra.

Voyant boîtier (ventilateur et régulateur de chaleur)	Indication
Vert	Fonctionnement normal.
Clignote en vert	Clignote une seule fois : erreur au niveau du régulateur de chauffage. Clignote deux fois : erreur au niveau du ventilateur. Clignote trois fois : erreur générale.

Contactez votre revendeur Axis pour obtenir de plus amples informations sur les pièces de rechange et les services de dépannage.

## Comportement du voyant d'état pour l'assistant de mise au point

### Note

Valable uniquement pour les objectifs à diaphragme P, DC ou manuel en option.

Le voyant d'état clignote lorsque l'assistant de mise au point est activé.

Couleur	Indication
Rouge	L'image n'est pas au point. Réglage de l'objectif.
Orange	L'image est presque au point. L'objectif doit être ajusté.
Vert	L'image est au point.

## Signal sonore de l'assistant de mise au point

### Note

Valable uniquement pour les objectifs à diaphragme P, DC ou manuel en option.

Avertisseur	Objectif
Intervalle rapide	Réglage optimal
Intervalle intermédiaire	Réglage moins optimal
Intervalle lent	Réglage médiocre

## Comportement du voyant d'état et du signal sonore pour l'assistant de nivellement

Pour plus d'informations sur le bouton fonction utilisé pour le nivellement de la caméra, consultez *page 38*.

Maintenez le bouton Fonction (2) enfoncé pendant plus de deux secondes pour mettre la caméra à niveau.

- Lorsque la caméra est mise à niveau, les deux voyants DEL sont verts et fixes et le signal sonore est continu.
- Lorsque la caméra n'est pas mise à niveau, les voyants d'état clignotent alternativement en rouge, vert et orange et le signal sonore est émis à intervalles lents.

Les deux voyants d'état clignotent brièvement en vert pour indiquer que le nivellement s'améliore.

## Fente pour carte SD

### AVS

- Risque de dommages à la carte SD. N'utilisez pas d'outils tranchants ou d'objets métalliques pour insérer ou retirer la carte SD, et ne forcez pas lors son insertion ou de son retrait. Utilisez vos doigts pour insérer et retirer la carte.
- Risque de perte de données et d'enregistrements corrompus. Ne retirez pas la carte SD pendant que le produit fonctionne. Démontez la carte SD de la page Web du produit avant le retrait.

Ce produit est compatible avec les cartes microSD/microSDHC/microSDXC.

Pour des recommandations sur les cartes SD, rendez-vous sur *axis.com*.

## Connecteurs

### Connecteur réseau

Connecteur Ethernet RJ45 avec l'alimentation par Ethernet (PoE).

## AVIS

Les réglementations locales ou les conditions environnementales et électriques dans lesquelles le produit est utilisé peuvent nécessiter l'utilisation d'un câble réseau blindé (STP). Tous les câbles réseau qui sont acheminés à l'extérieur ou dans des environnements électriques exigeants doivent être destinés à leur usage spécifique. Assurez-vous que les périphériques réseau sont installés conformément aux instructions du fabricant. Pour plus d'informations sur les exigences réglementaires, consultez *Electromagnetic compatibility (EMC)* on page 4.

## Connecteur d'E/S

Utilisez le connecteur d'E/S avec des périphériques externes, associés aux applications telles que la détection de mouvement, le déclenchement d'événements et les notifications d'alarme. En plus du point de référence 0 V CC et de l'alimentation (sortie CC), le connecteur d'E/S fournit une interface aux éléments suivants :

**Entrée numérique** – Pour connecter des dispositifs pouvant passer d'un circuit ouvert à un circuit fermé, par exemple capteurs infrarouge passifs, contacts de porte/fenêtre et détecteurs de bris de verre.

**Sortie numérique** – Permet de connecter des dispositifs externes, comme des relais ou des voyants. Les appareils connectés peuvent être activés par l'interface de programmation VAPIX® ou à partir de la page Web du produit.

### Note

Le connecteur d'E/S est relié au boîtier (ventilateur/régulateur de chaleur) à la livraison. En cas de défaillance du ventilateur ou du régulateur de chaleur, un signal d'entrée est déclenché au niveau de la caméra. Définissez une règle d'action dans la caméra pour configurer l'action que doit déclencher le signal. Pour plus d'informations sur les événements et les règles d'action, consultez le manuel de l'utilisateur disponible à l'adresse [axis.com](http://axis.com).

## Connecteur audio

- **Entrée audio** – entrée de 3,5 mm pour microphone mono ou signal d'entrée mono (le canal de gauche est utilisé pour le signal stéréo).
- **Sortie audio** – sortie de 3,5 mm (niveau de ligne) qui peut être connectée à un système de sonorisation ou à un haut-parleur actif avec amplificateur intégré. Un connecteur stéréo doit être utilisé pour la sortie audio.



# AXIS Q1615-E Mk II Network Camera

	1 Pointe	2 Anneau	3 Manchon
Entrée audio	Équilibré : Entrée micro/ligne point chaud Déséquilibré : Entrée micro/ligne	Équilibré : Entrée micro/ligne point froid Déséquilibré : Inutilisé	Masse
Sortie audio	Sortie de ligne, mono	Sortie de ligne, mono	Masse

Le microphone interne est utilisé par défaut ; le microphone externe est utilisé lorsqu'il est connecté. Vous pouvez désactiver le microphone interne en posant un bouchon sur l'entrée microphone.

## Connecteur RS485/RS422

Deux blocs terminaux à 2 broches pour l'interface série RS485/RS422 utilisée pour commander les équipements auxiliaires, tels que les dispositifs panoramique/inclinaison.

## Boutons

### Bouton de commande

Pour connaître l'emplacement du bouton de commande, consultez *Vue d'ensemble du produit page 32*.

Le bouton de commande permet de réaliser les opérations suivantes :

- Réinitialisation du produit aux paramètres d'usine par défaut. Cf. *page 47*.
- Connexion au service du Système d'hébergement vidéo AXIS. Pour en savoir plus sur ce service, consultez le site [axis.com](http://axis.com).

### Bouton de fonction

#### Note

L'assistant de mise au point est uniquement valable pour les objectifs à diaphragme P, DC ou manuel en option.

Utilisez le bouton de fonction pour activer les fonctions suivantes :

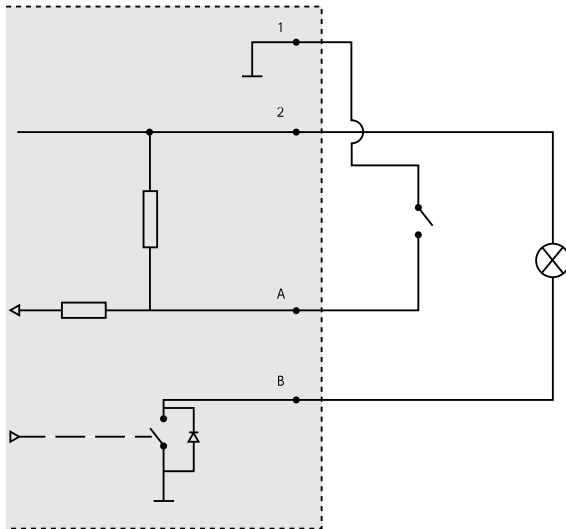
**Assistant de mise à niveau** – Cette fonction permet de s'assurer que la caméra est mise à niveau. Pour lancer l'assistant de mise à niveau, appuyez sur le bouton pendant environ 3 secondes. Pour quitter l'assistant de mise à niveau, appuyez à nouveau sur le bouton. Le voyant d'état et le signal sonore vous aident lors du nivellement de la caméra, voir *Comportement du voyant d'état et du signal sonore pour l'assistant de nivellement page 36*. Lorsque l'avertisseur émet un signal sonore continu, cela signifie que la caméra est mise à niveau.

**Assistant de mise au point** – Cette fonction est utilisée pour activer l'assistant de mise au point. Pour activer l'assistant de mise au point, appuyez sur le bouton et relâchez-le très rapidement. Pour quitter l'assistant de mise au point, appuyez à nouveau sur le bouton.

## Schémas de connexion

### Connecteur d'E/S

FR



- 1 0 VCC (-)
- 2 Sortie CC 12 V, maxi. 50 mA
- A Entrée/sortie configurée comme entrée
- B Entrée/sortie configurée comme sortie

## Caractéristiques techniques

### Conditions d'utilisation

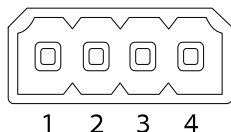
Produit	+Température	Humidité Humidité relative (avec condensation)
AXIS Q1615-E Mk II	De -30°C à 60°C De (-22°F à 140°F) avec PoE ; jusqu'à -40°C (-40°F) avec High PoE	10-100%

# AXIS Q1615-E Mk II Network Camera

## Connecteurs

### Connecteur d'E/S

Bloc terminal à 4 broches



Pour un exemple de schéma, consultez *Schémas de connexion* page 39.

Fonction	B- ro- che	Notes	Caractéristiques
0 V CC (-)	1		
Sortie CC	2	Peut servir à alimenter le matériel auxiliaire. Remarque : cette broche ne peut être utilisée que comme sortie d'alimentation.	12 V CC Charge maximale = 50 mA
Configurable (entrée ou sortie)	3- 4	Entrée numérique – Connectez-la à la broche 1 pour l'activer ou laissez-la flotter (déconnectée) pour la désactiver.	0 à 30 V CC
		Sortie numérique – Connectée à la broche 1 lorsqu'elle est activée, flotte (déconnectée) lorsqu'elle est désactivée. Si vous l'utilisez avec une charge inductive, par exemple un relais, une diode doit être connectée en parallèle avec la charge, en guise de protection contre les tensions transitoires.	0 à 30 V CC max., drain ouvert, 100 mA

### Connecteur audio

Connecteurs audio 3,5 mm (stéréo)





	1 Pointe	2 Anneau	3 Manchon
<b>Entrée audio</b>	Équilibré : Entrée micro/ligne point chaud  Déséquilibré : Entrée micro/ligne	Équilibré : Entrée micro/ligne point froid  Déséquilibré : Inutilisé	Masse
<b>Sortie audio</b>	Sortie de ligne, mono (compatible connecteur stéréo)	Sortie de ligne, mono (compatible connecteur stéréo)	Masse

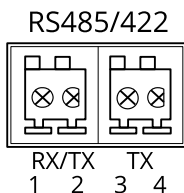
Le microphone interne est utilisé par défaut ; le microphone externe est utilisé lorsqu'il est connecté. Il est possible de désactiver le microphone interne en posant un bouchon sur l'entrée microphone.

### Connecteur RS485/RS422

Deux blocs terminaux à 2 broches pour l'interface série RS485/RS422 utilisée pour commander les équipements auxiliaires, tels que les dispositifs panoramique/inclinaison.

Le port série peut être configuré pour la prise en charge de :

- RS485 semi-duplex sur deux fils
- RS485 duplex intégral sur quatre fils
- RS422 simplex sur deux fils
- RS422 duplex intégral sur quatre fils pour communication point à point



Function	Broche	Notes
RS485B alt RS485/422 RX(B)	1	Paire RX pour tous les modes (RX/TX combiné pour RS485 à 2 fils)
RS485A alt RS485/422 RX(A)	2	

# AXIS Q1615-E Mk II Network Camera

RS485/RS422 TX(B)	3	Paire TX pour RS422 et RS485 à 4 fils
RS485/RS422 TX(A)	4	

## Important

La longueur maximale de câble est de 30 mètres (98 pieds).

## Installation du matériel

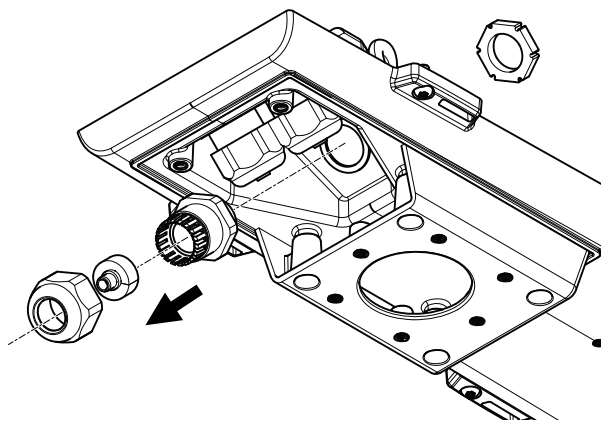
Suivez la procédure ci-dessus pour installer le support mural :

### Note

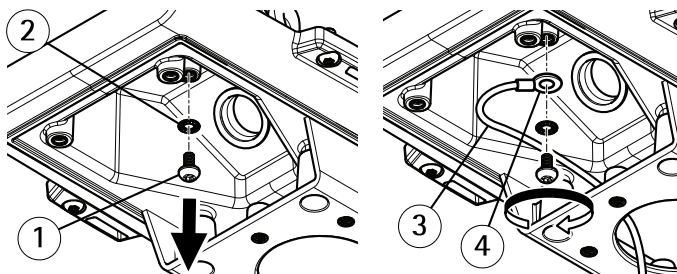
- La caméra pèse 3 525 g (7,7 lb). Assurez-vous que le matériau soit suffisamment solide pour supporter ce poids.
  - L'utilisation d'un presse-étoupe autre que celui fourni risque d'entraîner une infiltration d'eau et d'endommager le produit.
  - Utilisez toujours un câble réseau à paires torsadées blindé prévu pour une utilisation à l'extérieur afin de relier le produit Axis et le point terminal. Assurez-vous également que le point terminal est correctement mis à la terre. Les installations des caméras Axis à l'aide d'un câble réseau à paires torsadées blindé et du point terminal correctement mis à terre ont été soumises à des tests rigoureux, conformément aux niveaux de la norme relative à l'immunité de l'industrie, notamment la protection contre les surtensions. Toute autre méthode d'installation annule la garantie et expose le produit à des risques.
  - Un câble optionnel d'un diamètre de 4,0 mm - 5,5 mm devra être acheminé au travers d'un presse-étoupe séparé. Cf. *Vue d'ensemble du produit page 32*.
1. Préparez le mur ou le poteau de montage sur lequel le support mural doit être installé à l'aide du gabarit de perçage fourni.
  2. Acheminez le câble réseau en le faisant passer au travers du support mural jusqu'à l'adaptateur du support. Laissez environ 30 cm (11,8") de câble pour la connexion de la caméra.
  3. Fixez le support mural au mur, au plafond ou sur le poteau à l'aide de vis et de chevilles adaptées au matériau (bois, métal, carton-plâtre, pierre, etc.).

Procédez comme suit pour acheminer les câbles réseau et les autres câbles (facultatifs) :

1. Desserrez les vis du couvercle inférieur et soulevez le couvercle supérieur.
2. Desserrez les vis du couvercle de câble pour pouvoir le détacher du couvercle inférieur.

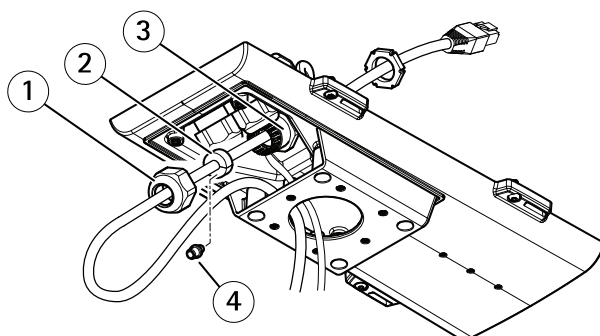


3. Retirez le capuchon, le bouchon et le joint du presse-étoupe à utiliser.
4. Retirez la vis de mise à la terre, la rondelle et l'anneau de la cosse de mise à la terre.
5. Fixez le câble de mise à la terre monté sur l'anneau de la cosse et la rondelle à l'aide de la vis de mise à la terre.



- 1 *Vis de mise à la terre*
- 2 *Rondelle*
- 3 *Câble de mise à la terre*
- 4 *Cosse*

6. Acheminez le câble réseau dans le capuchon.
7. Faites glisser le câble réseau par la fente du joint.
8. Acheminez le câble réseau à travers le presse-étoupe.



- 1 Capuchon
- 2 Joint
- 3 Presse-étoupe
- 4 Bouchon (rebut)

9. Enfoncez le joint dans le presse-étoupe et vissez le capuchon fermement.

Procédez comme suit pour fixer la caméra au support mural :

1. Placez la caméra avec le couvercle inférieur sur le support et serrez les vis du support.
2. Remplacez le couvercle de câble, puis serrez les vis.
3. Branchez les câbles. Cf. *Branchement des câbles page 44*.
4. Desserrez la vis de réglage du support afin de régler la mise au point de la caméra. Effectuez la mise au point conformément aux instructions de la section *Réglez le zoom et la mise au point de l'objectif inclus page 45*.
5. Consultez également pour savoir comment accéder au flux de données vidéo.
6. Fixez le câble de sécurité du couvercle supérieur à la patte du couvercle inférieur. Reportez-vous à l'illustration de la section *Vue d'ensemble du produit page 32*.
7. Insérez éventuellement une carte SD (non fournie) dans le logement de carte SDHC (Secure Digital High Capacity). Une carte SD standard ou haute capacité est requise pour stocker des images en local sur la caméra.

## Branchement des câbles

### AVS

Les réglementations locales ou les conditions environnementales et électriques dans lesquelles le produit est utilisé peuvent nécessiter l'utilisation d'un câble réseau blindé (STP). Tous les câbles réseau qui sont acheminés à l'extérieur ou dans des environnements électriques exigeants doivent être blindés (STP) et destinés à leur usage spécifique.

### Note

Pour repérer les différents composants, reportez-vous aux illustrations dans *Vue d'ensemble du produit page 32*.

1. Si vous souhaitez connecter des périphériques d'entrée/de sortie externes, voir *Connecteurs page 40*.
2. Branchez le câble réseau au connecteur réseau dans le boîtier.
3. Fixez le câble de mise à la terre monté sur l'anneau de la cosse et la rondelle à l'aide de la vis de mise à la terre.

## Trouver le périphérique sur le réseau

Pour trouver les périphériques Axis présents sur le réseau et leur attribuer des adresses IP sous Windows®, utilisez AXIS IP Utility ou AXIS Device Manager. Ces applications sont gratuites et peuvent être téléchargées via [axis.com/support](http://axis.com/support).

Pour plus d'informations sur la détection et l'attribution d'adresses IP, voir le document *Comment attribuer une adresse IP et accéder à votre périphérique* sur la page du périphérique à l'adresse [axis.com](http://axis.com).

## Réglez le zoom et la mise au point de l'objectif inclus

1. Accédez à **Settings (Paramètres) > Image (Image) > Focus (Mise au point)** et cliquez sur **Show AF area (Afficher la zone de mise au point automatique)**.
2. Ajustez la zone de mise au point automatique pour couvrir la partie de l'image que vous souhaitez mettre au point.  
Si vous ne sélectionnez pas une zone de mise au point automatique, la caméra effectue la mise au point sur la totalité de la scène. Nous vous conseillons d'effectuer la mise au point sur un objet statique.
3. Réglez le niveau de **Zoom (Zoom)**.
4. Cliquez sur **Autofocus (Mise au point automatique)**.

### Note

Si la caméra ne fait pas la mise au point, essayez de calibrer l'optique dans **System > Maintenance (Système > Maintenance)** et effectuez à nouveau la mise au point.

## Remplacer l'objectif

1. Arrêtez tous les enregistrements et déconnectez l'alimentation de l'appareil.
2. Débranchez le câble de l'objectif et retirez l'objectif standard.
3. Installez le nouvel objectif et connectez le câble de l'objectif.
4. Rebranchez l'alimentation.
5. Connectez-vous à la page Web du produit, accédez à l'onglet **Image**, puis sélectionnez l'objectif **P-Iris** installé.

## Note

Si vous utilisez un objectif à iris DC, sélectionnez l'option **Generic DC Iris (Iris DC générique)**.

6. Pour que les modifications soient prises en compte, redémarrez le périphérique. Accédez à **System > Maintenance (Système > Maintenance)** et cliquez sur **Restart (Redémarrer)**.
7. Réglez le zoom et la mise au point.

## Réglez le zoom et la mise au point des objectifs en option

Si la caméra est montée de telle sorte qu'il est impossible de regarder l'image et d'accéder à l'objectif en même temps, utilisez l'assistant de mise au point, voir *Assistant de mise au point pour objectifs en option* page 46.

## Note

Valable uniquement pour les objectifs à diaphragme P, DC ou manuel en option.

1. Accédez à **Settings (Paramètres) > Image (Image) > Focus (Mise au point)**.
2. Cliquez sur **Fine-tune (Réglage fin)**.
3. Ajustez la zone de mise au point automatique pour couvrir la partie de l'image que vous souhaitez mettre au point.  
Si vous ne sélectionnez pas une zone de mise au point automatique, la caméra effectue la mise au point sur la totalité de la scène. Nous vous conseillons d'effectuer la mise au point sur un objet statique.
4. Cliquez sur **Reset focus (Réinitialiser la mise au point)**.
5. Desserrez les commandes de zoom et de mise au point de l'objectif en les tournant dans le sens inverse des aiguilles d'une montre.
6. Déplacez l'anneau de zoom et la bague de mise au point pour régler le zoom et la mise au point et vérifiez la qualité d'image dans la fenêtre correspondante.
7. Resserrez les commandes de zoom et de mise au point lorsque la mise au point de l'image est satisfaisante.
8. Si la mise au point de l'image a légèrement changé en serrant les commandes de zoom et de mise au point, cliquez sur **Fine-tune (Réglage fin)**.
9. Si vous souhaitez ajuster légèrement la position de mise au point, déplacez le curseur **Focus position (Position de mise au point)**.

## Assistant de mise au point pour objectifs en option

## Note

- Valable uniquement pour les objectifs à diaphragme P, DC ou manuel en option.
- La vue en face de la caméra ne doit pas être modifiée lors du réglage de la mise au point (étapes 5 et 6). Si la caméra est déplacée ou si un doigt ou un autre objet est placé devant l'objectif, vous devrez recommencer les étapes 3 à 7.

- Si les mouvements devant la caméra ne peuvent pas être évités, l'assistant de mise au point ne doit pas être utilisé.
- Si la caméra est montée de sorte qu'il soit impossible d'accéder au bouton fonction, vous pouvez tout de même utiliser l'assistant de mise au point. Procédez comme indiqué ci-dessous, mais installez la caméra après l'étape 4 (en appuyant sur le bouton fonction) et passez à l'étape 7.

Pour effectuer la mise au point de la caméra réseau en utilisant l'assistant, suivez les étapes 1 à 4 sous la section de *Réglez le zoom et la mise au point des objectifs en option page 46* avant de procéder aux étapes ci-dessous.

1. Installez la caméra ou placez-la de façon à ce qu'elle ne puisse pas bouger.
2. Desserrez la commande de zoom en la tournant dans le sens inverse des aiguilles d'une montre. Déplacez la commande pour régler le niveau du zoom. Resserrez la commande de zoom.
3. Réglez la caméra sur sa position de mise au point à distance extrême en desserrant la vis de verrouillage de la bague de mise au point et en tournant la bague de mise au point au maximum dans le sens inverse des aiguilles d'une montre.
4. Appuyez sur le bouton fonction et relâchez-le très rapidement. Lorsque le voyant d'état clignote en vert, l'assistant de mise au point est activé.  
Si le voyant d'état clignote en rouge ou en orange avant que vous n'ayez pu régler l'objectif, passez à l'étape 7 pour quitter l'assistant et recommencez les étapes 3 à 7. Reportez-vous aux remarques ci-dessus. Voir *Comportement du voyant d'état pour l'assistant de mise au point page 35*.
5. Tournez délicatement la bague de mise au point dans le sens inverse des aiguilles d'une montre jusqu'à ce qu'elle s'arrête.
6. Tournez lentement la bague de mise au point dans le sens inverse des aiguilles d'une montre jusqu'à ce que l'indicateur d'état clignote en vert ou en orange (et non en rouge).
7. Pour quitter l'assistant de mise au point, appuyez à nouveau sur le bouton fonction. L'assistant de mise au point se désactive automatiquement après 15 minutes.
8. Resserrez la vis de verrouillage de la bague de mise au point.
9. Si la mise au point de l'image a légèrement changé en serrant les commandes de zoom et de mise au point, cliquez sur **Fine-tune (Réglage fin)**.
10. Si vous souhaitez déplacer légèrement la position de mise au point, déplacez le curseur **Focus position (Position de mise au point)**.

## Réinitialiser les paramètres par défaut

### Important

La réinitialisation aux paramètres par défaut doit être utilisée avec prudence. Cette opération restaure tous les paramètres, y compris l'adresse IP.

Pour réinitialiser l'appareil aux paramètres d'usine par défaut :

1. Déconnectez l'alimentation de l'appareil.
2. Maintenez le bouton de commande enfoncé en remettant l'appareil sous tension. Cf. *Vue d'ensemble du produit* page 32.
3. Maintenez le bouton de commande enfoncé pendant 15 à 30 secondes, jusqu'à ce que le voyant d'état clignote en orange.
4. Relâchez le bouton de commande. Le processus est terminé lorsque le voyant d'état passe au vert. Les paramètres d'usine par défaut de l'appareil ont été rétablis. En l'absence d'un serveur DHCP sur le réseau, l'adresse IP par défaut est 192.168.0.90.
5. Utilisez les outils d'installation et de gestion pour attribuer une adresse IP, configurer le mot de passe et accéder au flux de données vidéo.

Les logiciels d'installation et de gestion sont disponibles sur les pages d'assistance du site [axis.com/support](http://axis.com/support).

Vous pouvez également restaurer les paramètres par défaut à partir de l'interface Web. Accédez à **Settings > System > Maintenance (Paramètres > Système > Maintenance)**, puis cliquez sur **Default (Par défaut)**.

## Informations complémentaires

- Pour obtenir la version la plus à jour de ce document, voir [axis.com](http://axis.com)
- Le manuel d'utilisateur est disponible sur le site [axis.com](http://axis.com)
- Pour vérifier s'il existe un firmware mis à jour pour votre appareil, voir [axis.com/support](http://axis.com/support)
- Pour accéder à des formations et webinaires en ligne utiles, voir [axis.com/academy](http://axis.com/academy)

## Informations sur la garantie

Pour plus d'informations sur la garantie du produit Axis et des informations connexes, rendez-vous sur [axis.com/warranty](http://axis.com/warranty).



## Sicherheitsinformationen

### Gefährdungsstufen

#### **▲GEFAHR**

Weist auf eine gefährliche Situation hin, welche, falls nicht verhindert, zu Tod oder schweren Verletzungen führen kann.

#### **▲WARNUNG**

Weist auf eine gefährliche Situation hin, welche, falls nicht verhindert, zu Tod oder schweren Verletzungen führen kann.

#### **▲VORSICHT**

Weist auf eine gefährliche Situation hin, welche, falls nicht verhindert, zu geringfügiger oder mäßiger Verletzung führen kann.

#### **HINWEIS**

Weist auf eine gefährliche Situation hin, welche, falls nicht verhindert, zu Sachschäden führen kann.

DE

### Andere Meldeebenen

#### **Wichtig**

Weist auf wichtige Informationen hin, die den richtigen Betrieb des Produkts gewährleisten.

#### **Beachten**

Weist auf nützliche Informationen hin, die die optimale Verwendung des Produkts unterstützen.

## Sicherheitsanweisungen

### **HINWEIS**

- Das Axis-Produkt muss unter Beachtung der geltenden Gesetze und Bestimmungen betrieben werden.
- Axis empfiehlt, ein abgeschirmtes Netzkabel der Kategorie CAT5e oder höher zu verwenden.
- Für den Einsatz von Axis-Produkten im Außenbereich oder ähnlichen Umgebungen müssen diese in für den Außenbereich zugelassenen Gehäusen installiert werden.
- Lagern Sie das Axis Produkt in einer trockenen und belüfteten Umgebung.
- Das Axis-Produkt weder Stößen noch starkem Druck aussetzen.
- Das Produkt nicht an instabilen Masten, Halterungen, Oberflächen oder Wänden anbringen.
- Verwenden Sie bei der Installation des Axis Produkts ausschließlich passende Werkzeuge. Ein zu großer Kraftaufwand mit elektrischen Werkzeugen kann das Produkt beschädigen.
- Verwenden Sie keine chemischen, ätzenden oder aerosolhaltigen Reinigungsmittel.
- Verwenden Sie zum Reinigen ein sauberes, mit destilliertem Wasser angefeuchtetes Tuch.
- Verwenden Sie nur Zubehör, das den technischen Vorgaben Ihres Produkts entspricht. Dieses ist von Axis oder Drittanbietern erhältlich. Axis empfiehlt die mit Ihrem Produkt kompatible Stromversorgung von Axis.
- Verwenden Sie ausschließlich Ersatzteile die von Axis angeboten oder empfohlen werden.
- Versuchen Sie nicht, dieses Produkt selbsttätig zu reparieren. Wenden Sie sich bezüglich Reparatur und Wartung an den Axis Support oder Ihren Axis Händler.
- Das Netzteil sollte an eine Steckdose in der Nähe des Produkts angeschlossen werden und leicht zugänglich sein.
- Verwenden Sie eine Stromquelle mit begrenzter Leistung (LPS) mit einer Nennausgangsleistung von  $\leq 100$  W und einem begrenzten Nennausgangsstrom von  $\leq 5$  A.

## Transport

### **HINWEIS**

- Bei Bedarf transportieren Sie das Axis Produkt in der Originalverpackung oder einer entsprechenden Verpackung, so dass Schäden vermieden werden.

## Batterie

Das Axis-Produkt ist mit einer 3,0 V-CR2032-Lithium-Batterie ausgestattet, mit der die interne Echtzeituhr (RTC) versorgt wird. Unter normalen Bedingungen hat die Batterie eine Lebensdauer von mindestens fünf Jahren.

# AXIS Q1615-E Mk II Network Camera

---

Lithium-Knopfzellen (3,0 V) enthalten 1,2-Dimethoxyethan; Ethylenglycoldimethylether (EGDME), CAS-Nr. 110-71-4.

DE



## Installationsanleitung

In dieser Anleitung wird die Installation der AXIS Q1615-E Mk II-Netzwerk-Kamera in Ihrem Netzwerk beschrieben. Weitere Informationen zur Nutzung dieses Produkts finden Sie im Benutzerhandbuch unter [www.axis.com](http://www.axis.com).

## Installationsschritte

1. Sicherstellen, dass der Packungsinhalt, die Werkzeuge und anderes für die Installation erforderliche Material vollzählig und verwendbar sind. Siehe *Seite 53*.
2. Machen Sie sich mit der Produktübersicht vertraut. Siehe *Produktübersicht auf Seite 54*
3. Machen Sie sich mit den technischen Angaben vertraut. Siehe *Seite 61*.
4. Die Hardware installieren Siehe *Seite 64*.

DE

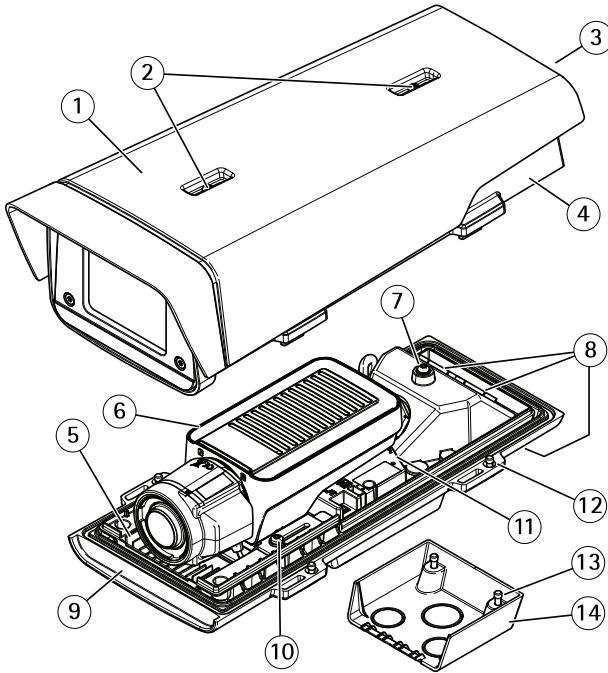
## Lieferumfang

- AXIS Q1615-E Mk II-Netzwerk-Kamera
- 4-poliger E/A-Anschlussblock für den Anschluss externer Geräte
- 2-polige RS485/422-Klemmenleiste (2x)
- Wandhalterung
- Torx T20-Schraubendreher
- Gedruckte Dokumente
  - Installationsanleitung (dieses Dokument)
  - Zusätzliche Etiketten mit der Seriennummer (2x)
  - AVHS-Authentifizierungsschlüssel

## Optionales Zubehör

Unter [www.axis.com](http://www.axis.com) finden Sie Informationen zu dem verfügbaren Zubehör wie Zubehör für die Stromversorgung und Gehäuse für den Einsatz in Außenbereichen.

## Produktübersicht



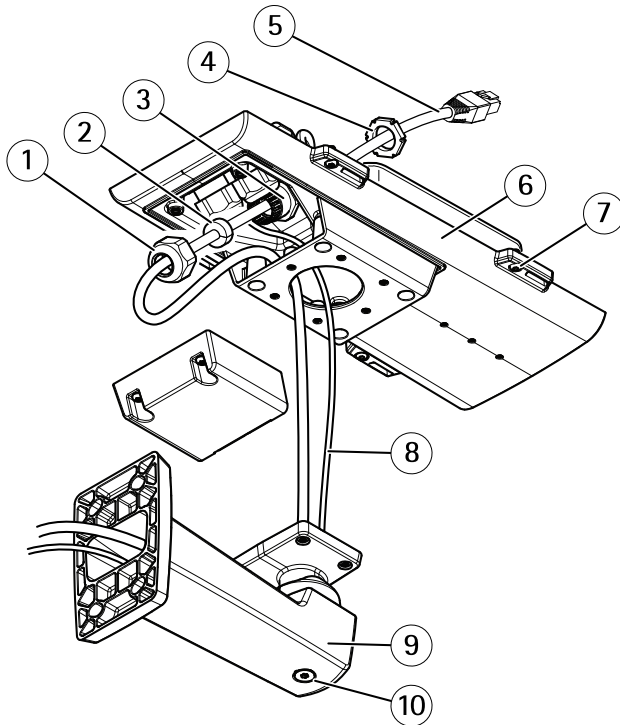
- 1 Sonnenschutz
- 2 Einstellschrauben für Sonnenblende
- 3 Produktnummer (P/N) und Seriennummer (S/N)<sup>1</sup>
- 4 Obere Abdeckung
- 5 Heizelement *Vorsicht! Möglicherweise heiß*
- 6 Netzwerkkamera

- 7 Sicherheitskabelasche
- 8 Kabeldurchführungen mit Kabelverschraubung
- 9 Untere Abdeckung
- 10 Schrauben und Nylon-Unterlegscheiben (2 St.)<sup>2</sup>
- 11 Netzwerkanschluss
- 12 Schrauben für untere Abdeckung (4 St.)
- 13 Schrauben für Kabelabdeckung (2 St.)
- 14 Kabelabdeckung

<sup>1</sup> Die Seriennummer wird für die Installation benötigt.

DE

<sup>2</sup> Zum Befestigen der Kamera im Gehäuse müssen die Nylon-Unterlegscheiben verwendet werden.



- 1 Kabelverschraubung
- 2 Dichtung
- 3 Kabeldurchführung
- 4 Kabelverschraubung
- 5 Netzwerkkabel (durch Wandhalterung führen)

# AXIS Q1615-E Mk II Network Camera

- 6 Untere Abdeckung
- 7 Schrauben für untere Abdeckung (4 St.)
- 8 Erdungskabel
- 9 Wandhalterung
- 10 Einstellschraube für Halterung

## LEDs

### Beachten

- Die Status-LED kann so eingestellt werden, dass sie während des Normalbetriebs nicht leuchtet. Zum Konfigurieren **Settings > System > Plain config (Einstellungen > System > Einfache Konfiguration)** aufrufen.
- Die Status-LED kann so eingestellt werden, dass sie blinkt, wenn ein Ereignis aktiv ist.
- Die Status-LED kann so eingestellt werden, dass sie blinkt, wenn die Einheit erkannt wird. **Settings > System > Plain config (Einstellungen > System > Einfache Konfiguration)** aufrufen.

LED-Statusanzeige	Bedeutung
Grün	Leuchtet bei Normalbetrieb grün.
Gelb	Leuchtet beim Start. Blinkt beim Wiederherstellen der Einstellungen.
Rot	Aktualisierung der Firmware fehlgeschlagen.

### Beachten

Die Netzwerk-LED kann deaktiviert werden, so dass sie bei Datenverkehr nicht blinkt. Zum Konfigurieren **Settings > System > Plain config (Einstellungen > System > Einfache Konfiguration)** aufrufen.

Netzwerk LED	Bedeutung
Grün	Leuchtet konstant bei Verbindung mit einem 10 MBit/s-Netzwerk. Blinkt bei Netzwerkaktivität.
Gelb	Leuchtet konstant bei Verbindung mit einem 10 MBit/s-Netzwerk. Blinkt bei Netzwerkaktivität.
Leuchtet nicht	Keine Netzwerkverbindung vorhanden.

### Beachten

Die Stromversorgungs-LED kann so eingestellt werden, dass sie während des Normalbetriebs nicht leuchtet. Zum Konfigurieren **Settings > System > Plain config (Einstellungen > System > Einfache Konfiguration)** aufrufen.



Netz-LED	Bedeutung
Grün	Normalbetrieb.
Gelb	Blinkt während einer Firmware-Aktualisierung grün/orange.

## LED-Leuchten am Gehäuse

### Beachten

Die in der nachfolgenden Tabelle beschriebene Gehäuse-LED befindet sich im Gehäuse.

Alarmereignisse werden durch den Eingangsport der Kamera ausgelöst.

Gehäuse-LED (Heizelement und Lüfter)	Bedeutung
Grün	Normaler Betrieb.
Grün blinkend	Einmaliges Blinken: Fehlfunktion des Heizelements Doppeltes Blinken: Fehlfunktion des Lüfters Dreifaches Blinken: Allgemeiner Fehler

Wenden Sie sich an Ihren Axis Händler, wenn Sie weitere Informationen zu Ersatzteilen und zur Fehlersuche benötigen.

## Verhalten der LED-Statusanzeige für den Fokus-Assistenten

### Beachten

Nur anwendbar auf optionale Objektive mit P-Iris, DC-Iris oder manueller Blende.

Die Status-LED blinkt, wenn der Fokus-Assistent aktiviert ist.

Farbe	Bedeutung
Rot	Bild unscharf. Objektiv einstellen.
Gelb	Bild nahezu scharf. Feineinstellung des Objektivs vornehmen.
Grün	Bild scharf.

## Summton für den Fokus-Assistenten

### Beachten

Nur anwendbar auf optionale Objektive mit P-Iris, DC-Iris oder manueller Blende.

Summer	Objektiv
Kurzes Intervall	Optimal eingestellt
Mittellanges Intervall	Nicht ganz optimal eingestellt
Langes Intervall	Unzureichend eingestellt

## Verhalten der LED-Statusanzeige und Summton für den Ausrichtungsassistenten

Informationen zur Verwendung der Funktionstaste bei der Ausrichtung der Kamera finden Sie unter *Seite 60*.

Halten Sie die Funktionstaste (2) zum Ausrichten der Kamera länger als 2 Sekunden gedrückt.

- Wenn die Kamera korrekt ausgerichtet ist, leuchten beide LEDs grün, und der Summton ertönt durchgehend.
- Wenn die Kamera nicht korrekt ausgerichtet ist, blinken die LEDs rot, grün und orange, und der Summton ertönt in langen Intervallen.

Beide LEDs blinken kurz grün auf, um anzuzeigen, dass sich die Ausrichtung verbessert.

## Einschub für SD-Speicherkarte

### **HINWEIS**

- Gefahr von Schäden an der SD-Karte. Beim Einsetzen oder Entfernen der SD-Karte keine scharfen Werkzeuge oder Gegenstände aus Metall benutzen und keine übermäßige Kraft anwenden. Setzen Sie die Karte per Hand ein. Das Gleiche gilt für das Entfernen.
- Gefahr von Datenverlust und Beschädigung von Aufzeichnungen. Die SD-Karte darf nicht entfernt werden, während das Produkt in Betrieb ist. Erst die SD-Karte über die Produktwebseite trennen, dann ausbauen.

Dieses Axis-Produkt unterstützt Karten des Typs microSD/microSDHC/microSDXC.

Für Empfehlungen zu SD-Karten, siehe [axis.com](http://axis.com).

## Anschlüsse

### Netzwerkanschluss

RJ45-Ethernetanschluss mit Power over Ethernet (PoE).

### **HINWEIS**

Aufgrund örtlicher Vorschriften bzw. je nach Umgebung oder elektrischer Anlage, in/mit der das Produkt verwendet wird, kann ein abgeschirmtes Netzkabel (STP) empfehlenswert oder notwendig sein. Alle Netzkabel des Produkts, die im Außenbereich oder in anspruchsvollen elektrischen Umgebungen verlegt werden, müssen hierfür ausgelegt

sein. Stellen Sie sicher, dass die Netzwerkgeräte gemäß den Anweisungen des Herstellers installiert wurden. Informationen zu gesetzlichen Bestimmungen finden Sie unter *Electromagnetic compatibility (EMC) on page 4.*

DE

## E/A-Anschluss

Über den E/A-Anschluss werden externe Geräte in Verbindung mit Manipulationsalarmen, Bewegungserkennung, Ereignisauslösung, Alarmbenachrichtigungen und anderen Funktionen angeschlossen. Außer dem Bezugspunkt 0 V Gleichstrom und Strom (Gleichstromausgang) besitzt der E/A-Anschluss eine Schnittstelle zum:

**Digitaleingang** – Zum Anschluss von Geräten, die zwischen geöffnetem und geschlossenem Schaltkreis wechseln können wie etwa PIR-Sensoren, Tür- und Fensterkontakte sowie Glasbruchmelder.

**Digitalausgang** – Zum Anschluss externer Geräte wie Relais und LEDs. Die angeschlossenen Geräte können über das VAPIX® Application Programming Interface oder über die Produktwebsite aktiviert werden.

### Beachten

Der E/A-Anschluss ist bei Lieferung an das Gehäuse (Lüfter/Heizelement) angeschlossen. Im Fall eines Fehlers des Lüfters oder Heizelements wird ein Eingangssignal in der Kamera ausgelöst. Richten Sie eine Aktionsregel in der Kamera ein, um zu konfigurieren, welche Aktion durch das Signal ausgelöst werden soll. Weitere Informationen zu Ereignissen und Aktionsregeln finden Sie im Benutzerhandbuch auf [axis.com](http://axis.com).

## Audioanschluss

- **Audioeingang** – 3,5 mm, für ein Monomikrofon oder ein Monosignal (der linke Kanal wird von einem Stereosignal benutzt).
- **Audioausgang** – 3,5-mm-Audioausgang (Leitungspegel) zum Anschluss an eine Beschallungsanlage (PA) oder einen Aktivlautsprecher mit integriertem Verstärker. Für den Audioausgang muss ein Stereostecker verwendet werden.



	1 Spitze	2 Ring	3 Schaft
<b>Audioeingang</b>	Symmetrisch: „Hot“-Eingang Mikrofon/Audio  Unsymmetrisch: Eingang Mikrofon/Audio	Symmetrisch: „Cold“-Eingang Mikrofon/Audio  Unsymmetrisch: Nicht belegt	Erdung
<b>Audioausgang</b>	Leitungsausgang, Mono	Leitungsausgang, Mono	Erdung

# AXIS Q1615-E Mk II Network Camera

---

Als Standard wird das interne Mikrofon verwendet. Das externe Mikrofon wird verwendet, wenn es angeschlossen ist. Das interne Mikrofon kann durch das Einstecken eines Steckers in den Mikrofoneingang deaktiviert werden.

## RS485-/RS422-Anschluss

Zwei 2-polige Anschlussblöcke für serielle Schnittstellen vom Typ RS485/RS422 zur Steuerung von Zusatzgeräten, beispielsweise zum Schwenken und Neigen.

## Tasten

### Steuertaste

Zur Lage der Steuertaste, siehe *Produktübersicht auf Seite 54*.

Die Steuertaste hat folgende Funktionen:

- Zurücksetzen des Produkts auf die Werkseinstellungen. Siehe *Seite 69*.
- Anschließen an einen AXIS Video Hosting System-Service Weitere Informationen zu diesem Dienst finden Sie auf [axis.com](http://axis.com).

### Funktionstaste

#### Beachten

Der Fokusassistent arbeitet nur in Verbindung mit Objektiven mit P-Iris, DC-Iris oder manuell einstellbarer Iris.

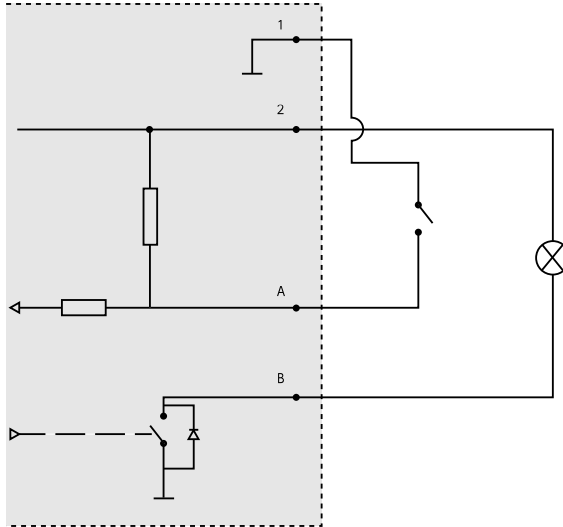
Verwenden Sie die Funktionstaste, um folgende Funktionen zu aktivieren:

**Ausrichtungsassistent** – Diese Funktion unterstützt Sie bei der Ausrichtung der Kamera. Drücken Sie die Taste für ca. 3 Sekunden, um den Leveling-Assistenten zu starten. Um den Leveling-Assistenten zu deaktivieren, die Taste erneut betätigen. Die Status LED und der Summton unterstützen Sie bei der Ausrichtung der Kamera (siehe *Verhalten der LED-Statusanzeige und Summton für den Ausrichtungsassistenten auf Seite 58*). Die Kamera ist korrekt ausgerichtet, wenn der Summton durchgehend ertönt.

**Fokus-Assistent** – Mit dieser Funktion wird der Fokus-Assistent aktiviert. Um den Fokusassistenten zu aktivieren, die Taste kurz betätigen und wieder freigeben. Zum Beenden des Fokus-Assistenten die Taste erneut betätigen.

## Anschlusschaltbilder

### E/A-Anschluss



- 1 0 V (-) DC
- 2 DC-Ausgang 12 V, max. 50 mA
- A E/A als Eingang konfiguriert
- B E/A als Ausgang konfiguriert

## Technische Daten

### Betriebsbedingungen

Produkt	Temperatur	Relative Luftfeuchtigkeit rF (kondensierend)
AXIS Q1615-E Mk II	-30 °C bis 60 °C mit PoE; bis zu -40 °C mit High-PoE	10–100%

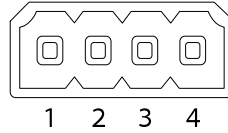
DE

# AXIS Q1615-E Mk II Network Camera

## Anschlüsse

### E/A-Anschluss

4-poliger Anschlussblock

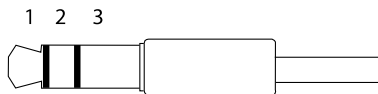


Ein Beispielschaltbild finden Sie unter *Anschlusschaltbilder auf Seite 61*.

Funktion	Kontakt	Hinweise	Technische Daten
0 V DC (-)	1		
Gleichstromausgang	2	Kann für die Stromversorgung von Zusatzgeräten verwendet werden. Hinweis: Dieser Kontakt kann nur für den Stromausgang verwendet werden.	12 V DC Max. Stromstärke = 50 mA
Konfigurierbar (Ein- oder Ausgang)	3-4	Digitaleingang – zum Aktivieren mit Pin 1 verbinden; zum Deaktivieren nicht anschließen.	0 bis max. 30 V DC
		Digitalausgang – bei Aktivierung mit Pin 1 verbunden; wenn deaktiviert: frei (nicht verbunden). Bei Verwendung mit einer induktiven Last, z. B. einem Relais, muss parallel zur Last zum Schutz vor Spannungsspitzen eine Diode zwischengeschaltet werden.	0 bis max. 30 V DC, Open Drain, 100 mA

## Audioanschlüsse

3,5-mm-Audioanschlüsse (stereo)



	1 Spitze	2 Ring	3 Schaft
<b>Audioeingang</b>	Symmetrisch: „Hot“-Eingang Mikrofon/Audio	Symmetrisch: „Cold“- Mikrofon-/Leitungseingang	Erdung
	Unsymmetrisch: Eingang Mikrofon/Audio	Unsymmetrisch: Nicht belegt	
<b>Audioausgang</b>	Leitungsausgang, mono (mit Stereostecker kompatibel)	Leitungsausgang, mono (mit Stereostecker kompatibel)	Erdung

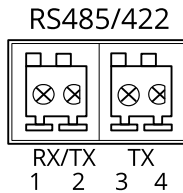
Das interne Mikrofon wird standardmäßig verwendet. Das externe Mikrofon wird verwendet, wenn es angeschlossen ist. Das interne Mikrofon kann deaktiviert werden, indem ein Stecker in den Mikrofoneingang gesteckt wird.

### RS485-/RS422-Anschluss

Zwei 2-polige Anschlussblöcke für serielle Schnittstellen vom Typ RS485/RS422 zur Steuerung von Zusatzgeräten, beispielsweise zum Schwenken und Neigen.

Der serielle Anschluss kann in den folgenden Anschlussmodi konfiguriert werden:

- zweiadriger RS485-Halbduplex-Anschluss
- vieradriger RS485-Vollduplex-Anschluss
- zweiadriger RS422-Simplex-Anschluss
- vieradriger RS422-Vollduplex-Anschluss (Punkt-zu-Punkt-Verbindung)



Funktion	Kon- takt	Hinweise
RS485B alt RS485/422 RX(B)	1	RX-Paar für alle Modi (kombinierter RX/TX für RS485 mit 2 Leitern)
RS485A alt RS485/422 RX(A)	2	

# AXIS Q1615-E Mk II Network Camera

RS-485/RS-422 TX(B)	3	TX-Paar für RS-422 und RS-485 mit vier Leitern
RS-485/RS-422 TX(A)	4	

## Wichtig

Die maximale Kabellänge beträgt 30 m.

## Die Hardware installieren

So wird die Wandhalterung montiert:

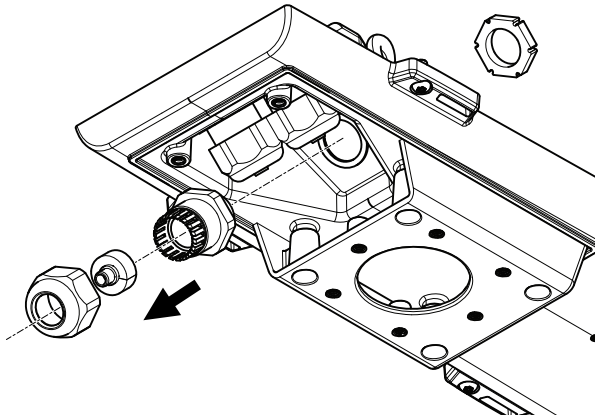
### Beachten

- Das Gewicht der Kamera beträgt 3.525 g (7,7 lb). Vergewissern Sie sich, dass das Material stabil genug ist, um dieses Gewicht zu tragen.
  - Wenn eine andere Kabelführung als die mitgelieferte verwendet wird, kann Wasser eindringen und das Produkt beschädigen.
  - Verwenden Sie immer ein abgeschirmtes Netzkabel (STP), das für den Einsatz zwischen dem Axis-Produkt und dem Endpunkt im Außenbereich bestimmt und ordnungsgemäß geerdet ist. Installationen von Axis-Produkten mit einem abgeschirmten Netzkabel (STP) und einem ordnungsgemäß geerdeten Endpunkt wurden getestet, um den Störfestigkeitsanforderungen der Industrie wie z. B. an den Überspannungsschutz zu entsprechen. Wenn Sie andere Installationsverfahren verwenden, erlischt die Garantie und der sichere Betrieb des Geräts ist nicht gewährleistet.
  - Ein optionales Kabel mit einem Durchmesser von 4,0 mm bis 5,5 mm sollte durch eine separate Kabelverschraubung geführt werden. Siehe *Produktübersicht auf Seite 54*.
1. Um die Wandhalterung an einer Wand oder einem Mast zu befestigen, zuerst die Bohrlöcher mithilfe der mitgelieferten Bohrschablone vormarkieren.
  2. Führen Sie das Netzkabel durch die Wandhalterung und den Wandhalterungsadapter. Lassen Sie zum Anschließen der Kamera ca. 30 cm Kabel frei.
  3. Montieren Sie die Wandhalterung an einer Wand, einer Decke oder einem Mast. Stellen Sie sicher, dass Sie für das Material (z. B. Holz, Metall, Gipskarton, Stein) geeignete Schrauben und Dübel verwenden.

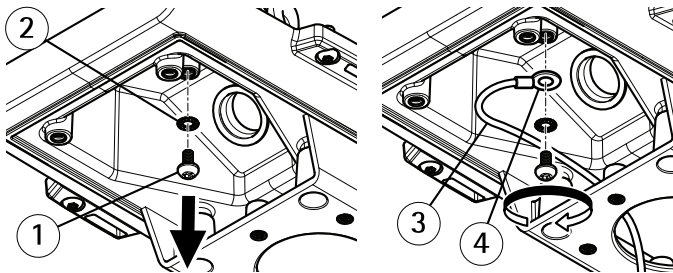
Das Netzkabel und optionale Kabel wie folgt verlegen:

1. Die Schrauben der unteren Abdeckung lösen und die obere Abdeckung abheben.
2. Die Schrauben der Kabelabdeckung lösen und die Kabelabdeckung von der unteren Abdeckung abnehmen.



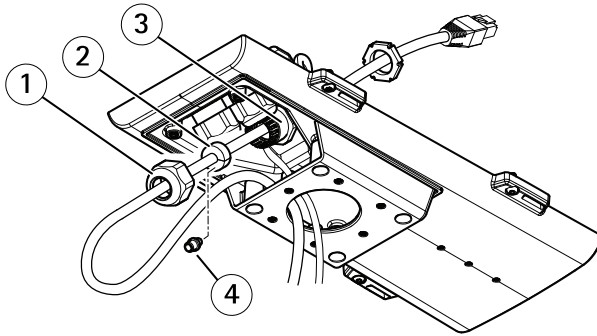


3. Die Kappe, den Stopfen und die Dichtung von der zu verwendenden Kabelverschraubung entfernen.
4. Die Erdungsschraube, die Unterlegscheibe und den Ringkabelschuh entfernen.
5. Den Ringkabelschuh des Erdungskabels mit einer Unterlegscheibe und der Erdungsschraube befestigen.



- 1 *Erdungsschraube*
- 2 *Waschanlage*
- 3 *Erdungskabel*
- 4 *Ringkabelschuh*

6. Das Netzkabel durch die Kappe führen.
7. Das Netzkabel durch den Dichtungspalt führen.
8. Das Netzkabel durch die Kabelverschraubung führen.



- 1 Kappe
- 2 Dichtung
- 3 Kabelverschraubung
- 4 Stopfen (entsorgen)

9. Die Dichtung in die Kabelverschraubung drücken und die Kappe fest verschrauben.  
Die Kamera wie folgt an der Wandhalterung anbringen:

1. Die Kamera mit der unteren Abdeckung an der Wandhalterung platzieren und die Schrauben der Halterung anziehen.
2. Bringen Sie die Kabelabdeckung wieder an und ziehen Sie die Schrauben an.
3. Schließen Sie die Kabel an. Siehe *Anschließen der Kabel auf Seite 66*.
4. Lösen Sie die Einstellschraube der Halterung, um die Kamera zu fokussieren. Führen Sie die Fokussierung der Kamera gemäß den Anweisungen unter *Einstellen von Fokus und Zoom des mitgelieferten Objektivs auf Seite 67* durch.
5. Siehe außerdem für den Zugriff auf den Videostrom.
6. Das Sicherheitskabel an der oberen Abdeckung an der Lasche der unteren Abdeckung befestigen. Siehe dazu die Abbildung unter *Produktübersicht auf Seite 54*.
7. Gegebenenfalls eine SD-Speicherkarte (nicht im Lieferumfang enthalten) in den Speicherkartensteckplatz Typ SDHC (Secure Digital High Capacity) einsetzen. Wenn Sie Bilder lokal in der Netzwerk-Kamera speichern möchten, benötigen Sie eine SD- oder SDHC-Speicherkarte.

## Anschließen der Kabel

### **HINWEIS**

Aufgrund örtlicher Vorschriften oder der Umgebungsbedingungen und elektrischen Bedingungen, unter denen das Produkt verwendet wird, kann ein abgeschirmtes Netzkabel (STP) empfehlenswert oder notwendig sein. Alle Netzkabel, die im Außenbereich oder in schwierigen elektrischen Umgebungen verlegt werden, müssen abgeschirmt (STP) und für die jeweilige Anwendung geeignet sein.

## Beachten

Die Einzelkomponenten finden Sie in den Abbildungen unter *Produktübersicht auf Seite 54*.

1. Schließen Sie ggf. externe Ein-/Ausgabegeräte an. Siehe *Anschlüsse auf Seite 62*.
2. Das Netzkabel an den Netzwerkanschluss des Gehäuses anschließen.
3. Den Ringkabelschuh des Erdungskabels mit einer Unterlegscheibe und der Erdungsschraube befestigen.

## Das Gerät im Netzwerk ermitteln

DE

Mit AXIS IP Utility und AXIS Device Manager die Axis Geräte im Netzwerk ermitteln und ihnen unter Windows® IP-Adressen zuweisen. Beide Anwendungen sind kostenlos und können von [axis.com/support](http://axis.com/support) heruntergeladen werden.

Weitere Informationen zum Zuweisen von IP-Adressen bietet das Dokument *Zuweisen von IP-Adressen und Zugreifen auf das Gerät* auf der jeweiligen Geräteseite auf [axis.com](http://axis.com).

## Einstellen von Fokus und Zoom des mitgelieferten Objektivs

1. Gehen Sie zu **Settings (Einstellungen) > Image (Bild) > Focus (Fokus)** und klicken Sie auf **Show AF area (AF-Bereich anzeigen)**.
2. Passen Sie den Autofokus-Bereich an, um den Teil des Bilds zu erfassen, der fokussiert werden soll.  
Wird kein Autofokus-Bereich gewählt, fokussiert die Kamera auf die ganze Szene. Es wird empfohlen, sich auf ein statisches Objekt zu konzentrieren.
3. Passen Sie den **Zoom (Zoom-Faktor)** an.
4. Klicken Sie auf **Autofocus (Autofokus)**.

## Beachten

Wenn die Kamera nicht fokussiert, versuchen Sie unter **System > Maintenance (Systemoptionen > Wartung)** die Optik zu kalibrieren und anschließend erneut automatisch zu fokussieren.

## Wechseln des Objektivs

1. Sämtliche Aufzeichnungen beenden und die Stromversorgung unterbrechen.
2. Das Objektivkabel abnehmen und das Standardobjektiv entfernen.
3. Das neue Objektiv anbringen und das Objektivkabel anschließen.
4. Die Stromversorgung wieder anschließen.
5. Auf der Produktwebseite die Registerkarte **Bild** aufrufen und die installierte **P-Iris** wählen.

## Beachten

Für eine DC-Iris die Option **Allgemeine DC-Iris** wählen.

6. Um die Änderungen zu Übernehmen, das Gerät neu starten. **System > Wartung aufrufen** und **Neustart** anklicken.
7. Zoom und Fokus einstellen.

## Einstellen von Fokus und Zoom optionaler Objektive

Wenn die Kamera so montiert ist, dass sich die Bildqualität nicht während des Einstellens des Objektivs prüfen lässt, den Fokus-Assistenten verwenden. Siehe *Fokus-Assistent für optionale Objektive auf Seite 68*.

### Beachten

Nur anwendbar auf optionale Objektive mit P-Iris, DC-Iris oder manueller Blende.

1. Gehen Sie zu **Settings (Einstellungen) > Image (Bild) > Focus (Fokus)**.
2. Klicken Sie auf **Fine-tune (Anpassen)**.
3. Passen Sie den Autofokus-Bereich an, um den Teil des Bilds zu erfassen, der fokussiert werden soll.  
Wird kein Autofokus-Bereich gewählt, fokussiert die Kamera auf die ganze Szene. Es wird empfohlen, sich auf ein statisches Objekt zu konzentrieren.
4. Klicken Sie auf **Reset focus (Fokus zurücksetzen)**.
5. Den Zoomregler und den Schärferegler am Objektiv durch Drehen gegen den Uhrzeigersinn lösen.
6. Bewegen Sie den Zoomregler und den Fokusing und stellen Sie Zoomstärke und Bildschärfe ein. Prüfen Sie die Bildqualität im Bildfenster.
7. Ziehen Sie die Zoom- und Fokusregler wieder fest, wenn Sie mit dem Bild-Fokus zufrieden sind.
8. Klicken Sie auf **Fine-tune (Anpassen)**, wenn sich der Bild-Fokus beim Ziehen der Zoom- und Fokus-Regler leicht verändert hat.
9. Wenn Sie die Fokusposition leicht einstellen möchten, bewegen Sie den Schieberegler für **Focus position (Fokusposition)**.

## Fokus-Assistent für optionale Objektive

### Beachten

- Nur anwendbar auf optionale Objektive mit P-Iris, DC-Iris oder manueller Blende.
- Während der Fokussierung der Kamera (Schritte 5 und 6) muss das Sichtfeld der Kamera unverändert bleiben. Falls Sie die Kamera bewegen oder wenn das Objektiv von einem Finger oder einem Gegenstand verdeckt wurde, müssen Sie die Schritte 3 bis 7 wiederholen.
- Wenn Bewegungen vor der Kamera nicht vermieden werden können, den Fokus-Assistenten nicht verwenden.
- Wenn die Kamera so montiert ist, dass die Betätigung der Funktionstaste nicht möglich ist, können Sie den Fokus-Assistenten trotzdem verwenden. Folgen Sie den Anweisungen

unten, hängen Sie die Kamera aber stattdessen nach Schritt 4 ein (Funktionstaste drücken) und überspringen Sie Schritt 7.

Befolgen Sie zur Fokussierung Ihrer Netzwerk-Kamera mit dem Fokus-Assistenten zunächst die Anweisungen in den Schritten 1 bis 4 unter *Einstellen von Fokus und Zoom optionaler Objektive auf Seite 68*, bevor Sie die folgenden Schritte ausführen.

1. Die Kamera so fixieren oder platzieren, dass sie nicht bewegt werden kann.
2. Lösen Sie den Zoomregler, indem Sie ihn gegen den Uhrzeigersinn drehen. Bewegen Sie den Regler und stellen Sie die Zoomstärke ein. Drehen Sie den Zoomregler wieder fest.
3. Stellen Sie die Kamera auf die weiteste Fernfokus-Position ein, indem Sie die Feststellschraube für den Fokusring lösen und den Fokusring vollständig gegen den Uhrzeigersinn drehen.
4. Drücken Sie kurz die Funktionstaste. Wenn die Status-LED grün blinkt, ist der Fokus-Assistent aktiviert.  
Wenn die Status-LED rot oder gelb blinkt, bevor Sie das Objektiv einstellen können, fahren Sie mit Schritt 7 fort, um den Fokus-Assistenten zu beenden, und wiederholen die Schritte 3 bis 7. Weitere Informationen finden Sie in den Hinweisen oben. Siehe *Verhalten der LED-Statusanzeige für den Fokus-Assistenten auf Seite 57*.
5. Drehen Sie den Fokusring vorsichtig im Uhrzeigersinn bis zum Anschlag.
6. Drehen Sie den Fokusring dann langsam gegen den Uhrzeigersinn, bis die Statusanzeige grün oder gelb blinkt (nicht rot).
7. Zum Beenden des Fokus-Assistenten drücken Sie erneut die Funktionstaste. Der Fokus-Assistent wird nach 15 Minuten automatisch ausgeschaltet.
8. Ziehen Sie die Feststellschraube für den Fokusring wieder fest.
9. Klicken Sie auf **Fine-tune (Anpassen)**, wenn sich der Bild-Fokus beim Ziehen der Zoom- und Fokus-Regler leicht verändert hat.
10. Wenn Sie die Fokusposition leicht einstellen möchten, bewegen Sie den Schieberegler für **Focus position (Fokusposition)**.

DE

## Zurücksetzen auf die Werkseinstellungen

### Wichtig

Das Zurücksetzen auf die Werkseinstellungen muss mit Umsicht durchgeführt werden. Beim Zurücksetzen auf die Werkseinstellungen werden alle Einstellungen einschließlich der IP-Adresse auf die Werkseinstellungen zurückgesetzt.

So wird das Produkt auf die werksseitigen Standardeinstellungen zurückgesetzt:

1. Trennen Sie das Produkt von der Stromversorgung.
2. Halten Sie die Steuertaste gedrückt und stellen Sie die Stromversorgung wieder her. Siehe *Produktübersicht auf Seite 54*.
3. Halten Sie die Steuertaste etwa 15 bis 30 Sekunden gedrückt, bis die Status-LED gelb blinkt.

# AXIS Q1615-E Mk II Network Camera

---

4. Lassen Sie die Steuertaste los. Der Vorgang ist abgeschlossen, wenn die Status LED grün leuchtet. Das Produkt wurde auf die Werkseinstellungen zurückgesetzt. Wenn im Netzwerk kein DHCP-Server verfügbar ist, lautet die Standard-IP-Adresse 192.168.0.90.
5. Verwenden Sie die Software-Tools für Installation und Verwaltung, um eine IP-Adresse zuzuweisen, ein Kennwort einzurichten und auf den Videostream zuzugreifen.  
Die Softwaretools für die Installation und Verwaltung stehen auf den Supportseiten unter [axis.com/support](http://axis.com/support) zur Verfügung.

Die Parameter können auch über die Weboberfläche auf die Werkseinstellungen zurückgesetzt werden. Den folgenden Optionspfad aufrufen: **Settings > System > Maintenance (Einstellungen > System > Wartung)** und dann die Option **Default (Standardeinstellung)** anklicken.

## Weitere Informationen

- Die aktuelle Version dieses Dokuments finden Sie auf [axis.com](http://axis.com)
- Das Benutzerhandbuch steht auf [axis.com](http://axis.com) zur Verfügung.
- Unter [axis.com/support](http://axis.com/support) finden Sie die aktuellen Firmwareversionen für Ihr Gerät.
- Nützliches Onlinetraining und Webinare finden Sie unter [axis.com/academy](http://axis.com/academy).

## Gewährleistungsinformationen

Informationen zur Gewährleistung für Axis-Produkte und andere in diesem Zusammenhang relevante Informationen finden Sie unter [axis.com/warranty](http://axis.com/warranty).

## Informazioni di sicurezza

### Livelli di pericolo

#### **▲PERICOLO**

Indica una situazione pericolosa che, se non evitata, provoca morte o lesioni gravi.

#### **▲AVVERTENZA**

Indica una situazione pericolosa che, se non evitata, potrebbe provocare la morte o lesioni gravi.

#### **▲ATTENZIONE**

Indica una situazione pericolosa che, se non evitata, potrebbe provocare lesioni medie o minori.

#### **AVVISO**

Indica una situazione che, se non evitata, potrebbe danneggiare la proprietà.

IT

### Altri livelli di messaggio

#### **Importante**

Indica informazioni importanti, essenziali per il corretto funzionamento del dispositivo.

#### **Nota**

Indica informazioni utili che aiutano a ottenere il massimo dal dispositivo.

## Informazioni di sicurezza

### **AWISO**

- Il dispositivo Axis deve essere utilizzato in conformità alle leggi e alle normative locali.
- Axis consiglia di utilizzare un cavo di rete di categoria CAT5e o versione successiva.
- Per utilizzare il dispositivo Axis in ambienti esterni o in ambienti simili, deve essere installato in una custodia per esterni approvata.
- Conservare il dispositivo Axis in un ambiente asciutto e ventilato.
- Evitare di esporre il dispositivo Axis a urti o pressioni eccessive.
- Non installare il dispositivo su supporti, superfici, pareti o pali instabili.
- Utilizzare solo strumenti applicabili quando si installa il dispositivo Axis. Se si utilizza una forza eccessiva con strumenti non adatti è possibile causare danni al dispositivo.
- Non utilizzare sostanze chimiche, agenti caustici o detergenti aerosol.
- Utilizzare un panno pulito inumidito in acqua pura per la pulizia.
- Utilizzare solo accessori compatibili con le specifiche tecniche del dispositivo. Questi possono essere forniti da Axis o da terze parti. Axis consiglia l'uso dell'apparecchiatura di alimentazione Axis compatibile con il dispositivo.
- Utilizzare solo parti di ricambio fornite o consigliate da Axis.
- Non tentare di riparare il dispositivo da soli. Contattare l'assistenza o il rivenditore Axis per questioni relative alla manutenzione.
- L'alimentatore dovrebbe essere collegato a una presa di corrente vicina al dispositivo e facilmente accessibile.
- Utilizzare una sorgente di alimentazione limitata (LPS) con una potenza di uscita nominale limitata a  $\leq 100$  W e una corrente di uscita nominale limitata a  $\leq 5$  A.

## Trasporto

### **AWISO**

- Durante il trasporto del dispositivo Axis, utilizzare l'imballaggio originale o equivalente per evitare danni al dispositivo.

## Batteria

Il dispositivo Axis utilizza una batteria al litio da 3 V CR2032 come alimentazione per il suo orologio in tempo reale (RTC) interno. In condizioni normali questa batteria avrà una durata minima di cinque anni.

Le batterie a bottone al litio da 3 V contengono 1,2-dimetossietano; etere dimetilico di glicole etilenico (EGDME), CAS n. 110-71-4.



## Guida all'installazione

La presente Guida all'installazione fornisce le istruzioni necessarie per installare la telecamera AXIS Q1615-E Mk II nella rete in uso. Per ulteriori informazioni sull'utilizzo del prodotto, consultare la Guida per l'utente disponibile all'indirizzo [www.axis.com](http://www.axis.com).

## Procedura di installazione

1. Verificare che il contenuto della confezione, gli strumenti e gli altri materiali necessari per l'installazione siano in ordine. Vedere *pagina 73*.
2. Esaminare la panoramica del dispositivo. Vedere *Panoramica del dispositivo alla pagina 74*
3. Esaminare le specifiche. Vedere *pagina 81*.
4. Installare l'hardware. Vedere *pagina 84*.

IT

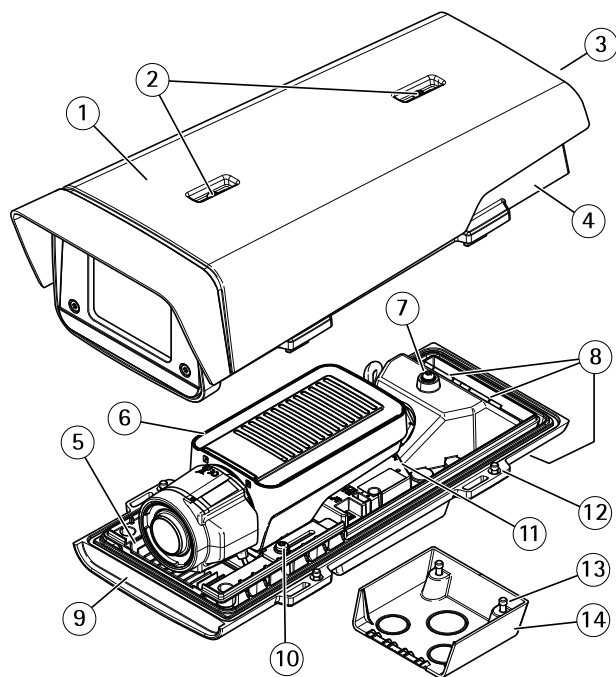
## Contenuto della confezione

- Telecamera di rete AXIS Q1615-E Mk II
- Morsettiera I/O a 4 pin per collegare dispositivi esterni
- Morsettiera RS485/422 a 2 pin (x2)
- Montaggio a parete
- Cacciavite Torx T20
- Materiale cartaceo
  - Guida all'installazione (questo documento)
  - Etichetta aggiuntiva con numero di serie (2x)
  - Chiave di autenticazione AVHS

## Accessori opzionali

Per informazioni sugli accessori disponibili, inclusi gli accessori per l'alimentazione e gli alloggiamenti da esterni, visitare il sito Web [www.axis.com](http://www.axis.com).

## Panoramica del dispositivo



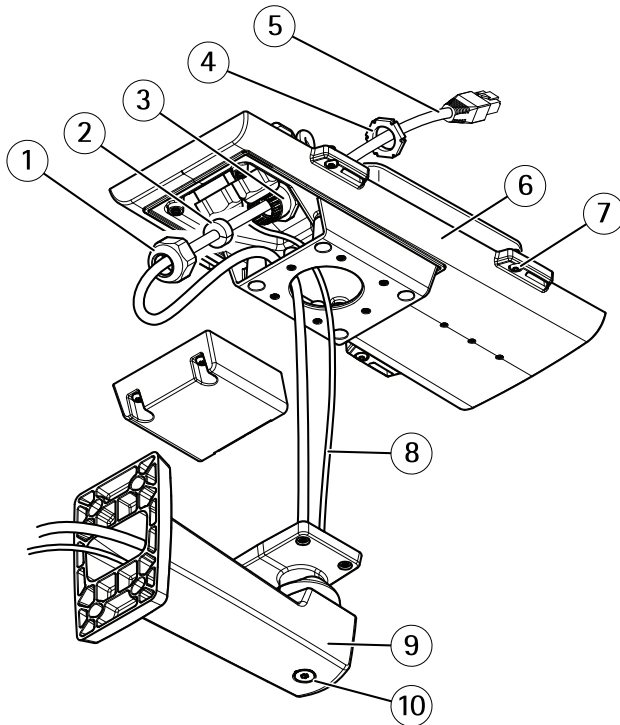
- 1 *Parasole*
- 2 *Viti di regolazione parasole*
- 3 *Codice dispositivo (P/N) e numero di serie (S/N)<sup>1</sup>*
- 4 *Coperchio superiore*
- 5 *Riscaldatore. Attenzione! Può essere caldo.*
- 6 *Telecamera di rete*

# AXIS Q1615-E Mk II Network Camera

- 7 *Linguetta per il cavo di sicurezza*
- 8 *Fori per il cavo con pressacavo*
- 9 *Coperchio inferiore*
- 10 *Viti + rondelle in nylon (2x)<sup>2</sup>*
- 11 *Connettore di rete*
- 12 *Viti del coperchio inferiore (4x)*
- 13 *Viti del coperchio dei cavi (2x)*
- 14 *Coperchio dei cavi*

<sup>1</sup> Il numero di serie può essere richiesto durante l'installazione.

<sup>2</sup> Quando si monta la telecamera nell'alloggiamento è necessario utilizzare le rondelle in nylon.



- 1 *Pressacavo*
- 2 *Guarnizione*
- 3 *Foro per cavi*
- 4 *Pressacavo*
- 5 *Cavo di rete (da instradare attraverso la staffa a parete)*

# AXIS Q1615-E Mk II Network Camera

- 6 Coperchio inferiore
- 7 Viti del coperchio inferiore (4x)
- 8 Cavo di messa a terra
- 9 Montaggio a parete
- 10 Vite di regolazione della staffa

## Indicatori LED

### Nota

- Il LED di stato può essere configurato per essere spento durante il normale funzionamento. Per configurarlo, andare a **Settings > System > Plain config (Impostazioni > Sistema > Configurazione normale)**.
- Il LED di stato può essere configurato per lampeggiare quando è attivo un evento.
- Il LED di stato può essere configurato per lampeggiare durante l'identificazione dell'unità. Andare a **Settings > System > Plain config (Impostazioni > Sistema > Configurazione normale)**.

LED di stato	Indicazione
Verde	Luce verde fissa: condizioni di normale utilizzo.
Giallo	Luce fissa durante l'avvio. Lampeggia durante il ripristino delle impostazioni.
Rosso	Errore durante l'aggiornamento del firmware.

### Nota

Il LED di rete può essere disattivato in modo da non lampeggiare in caso di traffico di rete. Per configurarlo, andare a **Settings > System > Plain config (Impostazioni > Sistema > Configurazione normale)**.

LED di rete	Indicazione
Verde	Luce fissa per connessione di rete a 100 Mbit/s. Luce lampeggiante: attività di rete.
Giallo	Luce fissa per connessione di rete a 10 Mbit/s. Luce lampeggiante: attività di rete.
Spento	Assenza di connessione.

### Nota

Il LED di alimentazione può essere configurato per essere spento durante il normale funzionamento. Per configurarlo, andare a **Settings > System > Plain config (Impostazioni > Sistema > Configurazione normale)**.

LED di alimentazione	Indicazione
Verde	Funzionamento normale.
Giallo	Luce lampeggiante verde/gialla durante l'aggiornamento del firmware.

## Indicatori LED dell'alloggiamento

### Nota

Il LED dell'alloggiamento a cui si fa riferimento nella tabella in basso è posizionato nell'alloggiamento.

Gli eventi di allarme vengono attivati attraverso la porta di input della telecamera.

IT

LED dell'alloggiamento (ventola e riscaldatore)	Indicazione
Verde	Normale utilizzo.
Luce lampeggiante verde	Lampeggio singolo: Errore riscaldatore Lampeggio doppio: Errore ventola Lampeggio triplo: Errore generale

Contattare il proprio rivenditore Axis per informazioni su pezzi di ricambio e risoluzione dei problemi.

## Comportamento del LED di stato per l'Assistente di messa a fuoco

### Nota

Valido solo per obiettivi con P-Iris, diaframma DC o manuale.

Il LED di stato lampeggia quando l'Assistente di messa a fuoco è attivo.

Colore	Indicazione
Rosso	L'immagine è sfocata. Regolare l'obiettivo.
Giallo	L'immagine è vicino al fuoco. L'obiettivo deve essere regolato.
Verde	L'immagine è a fuoco.

## Segnale acustico per l'Assistente di messa a fuoco

### Nota

Valido solo per obiettivi con P-Iris, diaframma DC o manuale.

# AXIS Q1615-E Mk II Network Camera

Segnale acustico	Obiettivo
Intervallo rapido	Regolato in modo ottimale
Intervallo medio	Regolato in modo meno ottimale
Intervallo lento	Regolato in modo improprio

## Comportamento del LED di stato e del segnale acustico per l'Assistente di livellamento

Per informazioni sul tasto Funzione utilizzato per il livellamento della telecamera, vedere *pagina 80*.

Per posizionare orizzontalmente la telecamera, tenere premuto il tasto Funzione (2) per più di due secondi.

- Quando la telecamera è in posizione orizzontale, entrambi gli indicatori LED emettono una luce verde fissa e il segnale acustico è continuo.
- Quando la telecamera non è in posizione orizzontale, i LED lampeggiano ed emettono una luce rossa, verde e arancione e il segnale acustico viene emesso a intervalli brevi.

Entrambi i LED emettono brevemente una luce verde lampeggiante a indicare che il livellamento sta migliorando.

## Slot per schede di memoria

### **AWISO**

- Rischio di danneggiamento della scheda di memoria SD. Non utilizzare strumenti appuntiti oppure oggetti metallici e non esercitare eccessiva forza durante l'inserimento o la rimozione della scheda di memoria. Utilizzare le dita per inserire e rimuovere la scheda.
- Rischio di perdita di dati e danneggiamento delle registrazioni. Non rimuovere la scheda di memoria mentre il dispositivo è in funzione. Smontare la scheda di memoria dalle pagine Web del dispositivo prima di rimuoverla.

Questo dispositivo supporta schede microSD/microSDHC/microSDXC.

Visitare *axis.com* per i consigli sulla scheda di memoria.

## Connettori

### Connettore di rete

Connettore Ethernet RJ45 con Power over Ethernet (PoE+).

### **AWISO**

A causa di normative locali o condizioni ambientali ed elettriche in cui il prodotto deve essere utilizzato, può essere opportuno o necessario l'utilizzo di un cavo di rete schermato (STP). Tutti i cavi di rete del dispositivo posizionati all'aperto o in ambienti elettrici in

condizioni difficili sono destinati al loro uso specifico. Accertarsi che i dispositivi di rete siano installati secondo le istruzioni del produttore. Per maggiori informazioni sui requisiti normativi, consultare *Electromagnetic compatibility (EMC) on page 4*.

## Connettore I/O

Utilizzare il connettore I/O con dispositivi esterni in combinazione con, ad esempio, rilevamento movimento, attivazione di eventi e notifiche di allarme. Oltre al punto di riferimento 0 V CC e all'alimentazione (uscita CC), il connettore I/O fornisce l'interfaccia per:

**Ingresso digitale** – Per il collegamento di dispositivi che possono passare dal circuito chiuso al circuito aperto, ad esempio i sensori PIR, i contatti porta/finestra e i rilevatori di rottura.

**Uscita digitale** – Per il collegamento di dispositivi esterni come relè e LED. I dispositivi collegati possono essere attivati tramite l'API (interfaccia per la programmazione di applicazioni) VAPIX® oppure dalla pagina Web del dispositivo.

### Nota

Il connettore I/O è collegato alla custodia (ventilatore/riscaldatore) alla consegna. In caso di errore del ventilatore o del riscaldatore, verrà attivato un segnale di ingresso nella telecamera. Impostare una regola di azione nella telecamera per configurare l'azione che verrà attivata dal segnale. Per informazioni sugli eventi e sulle regole di azione, consultare la guida per l'utente disponibile all'indirizzo [axis.com](http://axis.com).

## Connettore audio

- **Ingresso audio:** ingresso da 3,5 mm per un microfono mono o un segnale mono line-in (il canale sinistro viene utilizzato da un segnale stereo).
- **Uscita audio:** 3,5 mm (di linea) che è possibile collegare a un sistema di indirizzo pubblico (PA) o a un altoparlante con amplificatore integrato. Per l'uscita audio è necessario utilizzare un connettore stereo.



	1 Punta	2 Anello	3 Guaina
<b>Ingresso audio</b>	Bilanciato: Ingresso microfono segnale "Hot"/linea  Non bilanciato: Ingresso microfono/linea	Bilanciato: Ingresso microfono segnale "Cold"/linea  Non bilanciato: Inutilizzato	Terra
<b>Uscita audio</b>	Uscita linea, mono	Uscita linea, mono	Terra

IT

# AXIS Q1615-E Mk II Network Camera

---

Il microfono interno viene utilizzato per impostazione predefinita; il microfono esterno viene utilizzato quando è connesso. È possibile disabilitare il microfono interno collegando una spina all'ingresso del microfono.

## Connettore RS485/RS422

Due morsettiere a 2 pin per l'interfaccia seriale RS485/RS422 utilizzate per il controllo di periferiche ausiliarie come i dispositivi di rotazione/inclinazione.

## Pulsanti

### Pulsante di comando

Per l'ubicazione del pulsante di comando, vedere *Panoramica del dispositivo alla pagina 74*.

Il pulsante di comando viene utilizzato per:

- Ripristinare le impostazioni predefinite di fabbrica del dispositivo. Vedere *pagina 89*.
- Collegarsi a un servizio AXIS Video Hosting System. Per ulteriori informazioni su questo servizio, vedere il sito [axis.com](http://axis.com)

### Tasto Funzione

#### Nota

L'Assistente di messa a fuoco è valido solo per obiettivi opzionali con P-Iris, DC-iris o diaframma manuale.

Utilizzare il pulsante Funzione per attivare le seguenti funzioni:

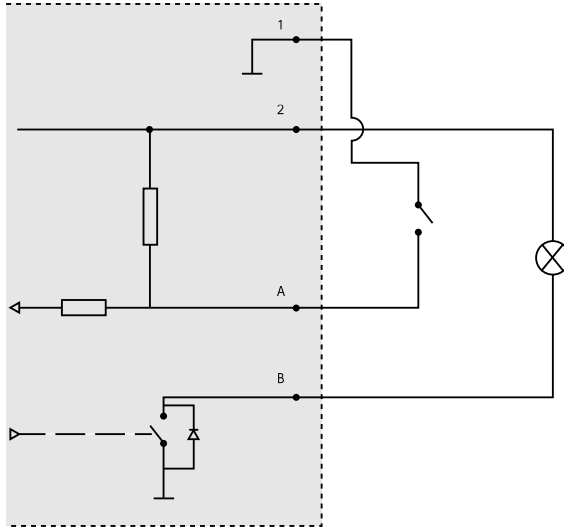
**Assistente di livellamento** – Questa funzione consente di garantire che la telecamera sia in posizione orizzontale. Per avviare Assistente di livellamento, premere il pulsante per circa 3 secondi. Per uscire da Assistente di livellamento, premere nuovamente il tasto. Il LED di stato e il segnale acustico sono di ausilio nel livellamento della telecamera, vedere *Comportamento del LED di stato e del segnale acustico per l'Assistente di livellamento alla pagina 78*. La telecamera è in posizione orizzontale quando il segnale acustico è continuo.

**Assistente di messa a fuoco** – Questa funzione viene utilizzata per abilitare Assistente di messa a fuoco. Per abilitare Assistente di messa a fuoco, premere e rilasciare molto rapidamente il tasto. Per uscire da Assistente di messa a fuoco, premere nuovamente il tasto.



## Schema delle connessioni

### Connettore I/O



- 1 0 VCC (-)
- 2 Uscita CC 12 V, max 50 mA
- A I/O configurato come ingresso
- B I/O configurato come uscita

## Dati tecnici

### Condizioni di funzionamento

Dispositivo	Temperatura	Umidità relativa (con condensa)
AXIS Q1615-E Mk II	Da -30 °C a 60 °C (Da -22 °F a 140 °F) con PoE; da -40 °C (-40 °F) con High PoE	10-100%

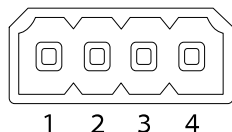
IT

# AXIS Q1615-E Mk II Network Camera

## Connettori

### Connettore I/O

Morsettiera a 4 pin



Per un esempio di schema, consultare *Schema delle connessioni alla pagina 81*.

Funzione	Pin	Note	Specifiche
0 V CC (-)	1		
Uscita CC	2	Il pin può essere utilizzato anche per alimentare una periferica ausiliaria. Nota: questo pin può essere usato solo come uscita alimentazione.	12 V CC Carico massimo = 50 mA
Configurabile (ingresso o uscita)	3-4	Ingresso digitale - collegare al pin 1 per attivarlo oppure lasciarlo isolato (scollegato) per disattivarlo.	da 0 a max 30 V CC
		Uscita digitale - Collegare al pin 1 quando attiva, isolata (scollegata) quando inattiva. Se utilizzata con un carico induttivo, ad esempio un relè esterno, è necessario collegare un diodo in parallelo al carico per proteggere il dispositivo da sovratensioni.	Da 0 a max 30 V CC, open-drain, 100 mA

### Connettore audio

Connettori audio da 3,5 mm (stereo)



	1 Punta	2 Anello	3 Guaina
<b>Ingresso audio</b>	Bilanciato: Ingresso microfono segnale "Hot"/linea  Non bilanciato: Ingresso microfono/linea	Bilanciato: Ingresso microfono segnale "Cold"/linea  Non bilanciato: Inutilizzato	Terra
<b>Uscita audio</b>	Uscita linea, mono (compatibile con connettore stereo)	Uscita linea, mono (compatibile con connettore stereo)	Terra

Il microfono interno viene utilizzato per impostazione predefinita; il microfono esterno viene utilizzato quando è connesso. È possibile disabilitare il microfono interno collegamento un plug all'ingresso del microfono.

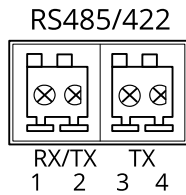
IT

### Connettore RS485/RS422

Due morsettiere a 2 pin per l'interfaccia seriale RS485/RS422 utilizzate per il controllo di periferiche ausiliarie come i dispositivi di rotazione/inclinazione.

La porta seriale può essere configurata per supportare:

- RS485 a due fili, half-duplex
- RS485 a quattro fili, full-duplex
- RS422 a due fili, simplex
- Comunicazione full-duplex punto a punto con RS422 a quattro fili



Funzione	Pin	Note
RS485B alt RS485/422 RX(B)	1	Coppia RX per tutte le modalità (RX/TX combinata per RS485 con due cavi)
RS485A alt RS485/422 RX(A)	2	

# AXIS Q1615-E Mk II Network Camera

RS485/RS422 TX(B)	3	Coppia TX per RS422 e RS485 con quattro cavi
RS485/RS422 TX(A)	4	

## Importante

La lunghezza del cavo massima è di 30 m.

## Installazione dell'hardware

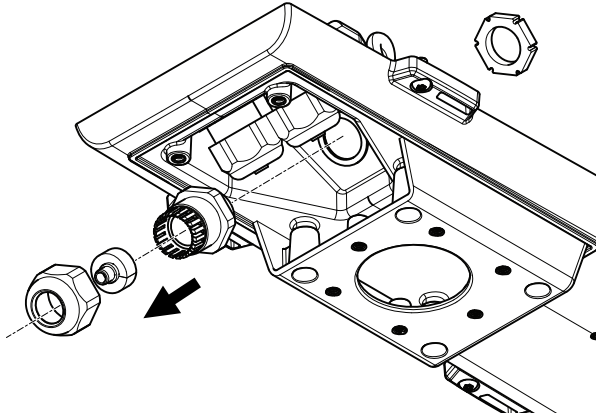
Per installare la staffa a parete, seguire la seguente procedura:

### Nota

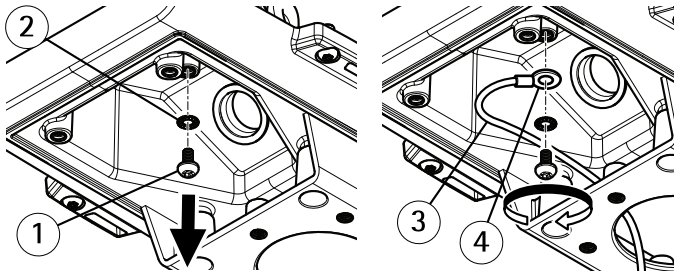
- Il peso della telecamera è di 3525 g (7,7 libbre). Controllare che il materiale sia sufficientemente robusto per sostenere tale peso.
  - L'utilizzo di un pressacavo differente da quello fornito può provocare infiltrazioni di acqua e danni al dispositivo.
  - Utilizzare sempre un cavo di rete schermato (STP) adatto all'uso esterno tra il dispositivo Axis e il punto terminale e assicurarsi che tale punto disponga di una corretta messa a terra. Le installazioni dei dispositivi Axis mediante un cavo di rete schermato (STP) e un punto terminale con corretta messa a terra sono state testate per essere conformi ai livelli standard delle norme di immunità di settore, ad esempio la protezione per sovratensioni. Qualsiasi altro metodo di installazione rende nulla la garanzia ed espone a rischi l'unità.
  - Un cavo opzionale con un diametro compreso tra 4 e 5,5 mm deve essere inserito in un pressacavo differente. Vedere *Panoramica del dispositivo alla pagina 74*.
1. Utilizzare la maschera di foratura fornita per preparare una parete o un'asta per l'installazione della staffa a parete.
  2. Inserire il cavo di rete attraverso la staffa per il montaggio a parete e attraverso l'adattatore della stessa. Lasciare approssimativamente 30 cm di cavo per il collegamento alla telecamera.
  3. Installare la staffa a parete su una parete, un soffitto o un'asta mediante viti e connettori appropriati per il materiale (ad esempio legno, metallo, cartongesso, pietra).

Per inserire il cavo di rete e altri cavi (opzionali), seguire questa procedura.

1. Allentare le viti del coperchio inferiore e sollevare il coperchio superiore.
2. Allentare le viti del coperchio del cavo; rimuovere tale coperchio da quello inferiore.

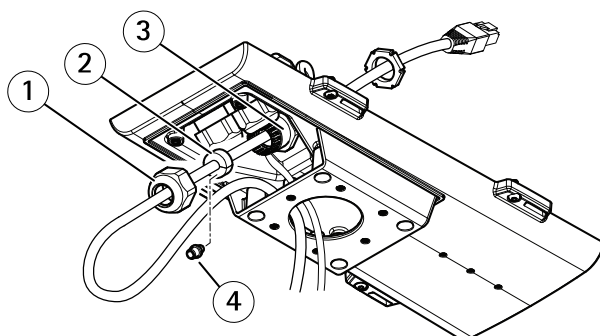


3. Rimuovere il cappuccio, la spina e la guarnizione dal pressacavo da utilizzare.
4. Rimuovere la vite della messa a terra, la rondella e l'anello di capocorda di messa a terra.
5. Fissare la rondella e il cavo di messa a terra dell'anello di capocorda con la vite della messa a terra.



- 1 *Vite di messa a terra*
- 2 *Rondella*
- 3 *Cavo di messa a terra*
- 4 *Anello di capocorda*

6. Passare il cavo di rete attraverso il cappuccio.
7. Far scorrere il cavo di rete attraverso la fessura nella guarnizione.
8. Passare il cavo di rete attraverso il pressacavo.



- 1 Cappuccio
- 2 Guarnizione
- 3 Pressacavo
- 4 Tassello (da scartare)

9. Premere la guarnizione nel pressacavo e fissare saldamente il cappuccio.

Per fissare la telecamera alla staffa a parete, seguire questa procedura:

1. Posizionare la telecamera con il coperchio inferiore sulla staffa a parete, quindi serrare le viti della staffa.
2. Rimontare il coperchio dei cavi e serrare le viti.
3. Collegare i cavi. Vedere *Collegare i cavi alla pagina 86*.
4. Allentare le viti di regolazione della staffa per mettere a fuoco la telecamera; mettere a fuoco la telecamera in base alle seguenti istruzioni *Regolare lo zoom e la messa a fuoco per gli obiettivi inclusi alla pagina 87*.
5. Vedere anche per accedere al flusso video.
6. Fissare il cavo di sicurezza nel coperchio superiore alla linguetta nel coperchio inferiore. Vedere l'immagine in *Panoramica del dispositivo alla pagina 74*.
7. Inserire, facoltativamente, una scheda di memoria SD (non inclusa) nello slot per la scheda SDHC (Secure Digital High Capacity). Per memorizzare localmente le immagini riprese dalla telecamera, è necessaria una scheda SD con capacità standard o elevata.

## Collegare i cavi

### **AWISO**

A causa di normative locali o condizioni ambientali ed elettriche in cui il dispositivo deve essere utilizzato, può essere opportuno o necessario l'utilizzo di un cavo di rete schermato (STP). Eventuali cavi di rete che vengono posizionati all'aperto o in ambienti elettrici devono essere schermati (STP) e destinati al loro uso specifico.

**Nota**

Per individuare i differenti componenti, vedere le illustrazioni riportate in *Panoramica del dispositivo alla pagina 74*.

1. Collegare facoltativamente dispositivi esterni di ingresso/uscita, vedere *Connettori alla pagina 82*.
2. Collegare il cavo di rete al connettore di rete nell'alloggiamento.
3. Fissare la rondella e il cavo di messa a terra dell'anello di capocorda con la vite della messa a terra.

## Individuazione del dispositivo sulla rete

Per trovare i dispositivi Axis sulla rete e assegnare loro un indirizzo IP in Windows®, utilizzare AXIS IP Utility o AXIS Device Manager. Queste applicazioni sono entrambe gratuite e possono essere scaricate dal sito Web [axis.com/support](http://axis.com/support).

Per maggiori informazioni su come trovare e assegnare indirizzi IP, vedere il documento che illustra come *assegnare un indirizzo IP e accedere al dispositivo* dalla pagina del dispositivo all'indirizzo [axis.com](http://axis.com).

## Regolare lo zoom e la messa a fuoco per gli obiettivi inclusi

1. Andare a **Settings (Impostazioni) > Image (Immagine) > Focus (Messa a fuoco)** e fare clic su **Show AF area (Mostra area di messa a fuoco automatica)**.
2. Regolare l'area di messa a fuoco automatica per coprire la parte dell'immagine che si desidera mettere a fuoco.  
La telecamera mette a fuoco l'intera scena se non si seleziona un'area di messa a fuoco automatica. Si consiglia di mettere a fuoco un oggetto statico.
3. Regolare il livello di **Zoom (Zoom)**.
4. Fare clic su **Autofocus (Messa a fuoco automatica)**.

**Nota**

Se la telecamera non esegue la messa a fuoco, provare a calibrare gli strumenti ottici in **System > Maintenance (Sistema > Manutenzione)** ed eseguire nuovamente la messa a fuoco automatica.

## Sostituzione dell'obiettivo

1. Interrompere tutte le registrazioni e scollegare l'alimentazione dal dispositivo.
2. Scollegare il cavo dell'obiettivo e rimuovere l'obiettivo standard.
3. Montare il nuovo obiettivo e collegare il relativo cavo.
4. Ricollegare l'alimentazione.

5. Accedere alla pagina Web del dispositivo, andare alla scheda **Immagine**, quindi selezionare **Obiettivo P-Iris** che è stato appena installato.

### Nota

Se si utilizza un obiettivo con diaframma DC, selezionare **Diaframma DC generico**.

6. Per rendere valide le modifiche, è necessario riavviare il dispositivo. Andare a **Sistema > Manutenzione** e fare clic su **Riavvia**.
7. Regolare lo zoom e la messa a fuoco.

## Regolare lo zoom e la messa a fuoco per gli obiettivi opzionali

Se la telecamera è montata in una posizione che non consente di visualizzare l'immagine e accedere all'obiettivo contemporaneamente, utilizzare l'Assistente di messa a fuoco; vedere *Assistente di messa a fuoco per obiettivi opzionali alla pagina 88*.

### Nota

Valido solo per obiettivi opzionali con P-Iris, DC-iris o diaframma manuale.

1. Andare a **Settings (Impostazioni) > Image (Immagine) > Focus (Messa a fuoco)**.
2. Fare clic su **Fine-tune (Regolazione)**.
3. Regolare l'area di messa a fuoco automatica per coprire la parte dell'immagine che si desidera mettere a fuoco.  
La telecamera mette a fuoco l'intera scena se non si seleziona un'area di messa a fuoco automatica. Si consiglia di mettere a fuoco un oggetto statico.
4. Fare clic su **Reset focus (Reimposta messa a fuoco)**.
5. Allentare le levette dello zoom e della messa a fuoco sull'obiettivo ruotandole in senso antiorario.
6. Spostare lo zoom e la ghiera di messa a fuoco per configurare lo zoom e la messa a fuoco, quindi controllare la qualità di immagine nella relativa finestra.
7. Restringere le levette di zoom e messa a fuoco quando si è soddisfatti della messa a fuoco dell'immagine.
8. Se la messa a fuoco dell'immagine viene lievemente modificata mentre si restringono le levette dello zoom e della messa a fuoco, fare clic su **Fine-tune (Regolazione)**.
9. Se si desidera regolare leggermente la posizione di messa a fuoco, spostare il cursore **Focus position (Posizione di messa a fuoco)**.

## Assistente di messa a fuoco per obiettivi opzionali

### Nota

- Valido solo per obiettivi opzionali con P-Iris, DC-iris o diaframma manuale.
- Verificare che la scena davanti alla telecamera non cambi durante la regolazione della messa a fuoco (punti 5 e 6). Se si sposta la telecamera o si colloca un dito o un altro



oggetto davanti all'obiettivo, sarà necessario ripetere le operazioni descritte nei punti da 3 a 7.

- Se non è possibile evitare movimenti davanti alla telecamera, non utilizzare l'Assistente di messa a fuoco.
- È possibile utilizzare Assistente di messa a fuoco anche se la posizione di installazione della telecamera non consente l'accesso al tasto Funzione. Seguire le istruzioni seguenti, ma montare la telecamera dopo il passaggio 4 (tenendo premuto il tasto funzione) e saltare il passaggio 7.

Per regolare la messa a fuoco della telecamera di rete tramite Assistente di messa a fuoco, seguire le istruzioni riportate nei punti da 1 a 4 in *Regolare lo zoom e la messa a fuoco per gli obiettivi opzionali alla pagina 88* prima di eseguire le operazioni descritte di seguito.

1. Installare o posizionare la telecamera dove non potrà essere spostata.
2. Allentare la levetta di regolazione dello zoom ruotandola in senso antiorario. Spostare la levetta per impostare il livello di zoom. Riavvitare la levetta dello zoom.
3. Impostare la telecamera nella posizione corrispondente alla massima distanza di messa a fuoco allentando la vite di arresto della ghiera di messa a fuoco e ruotando la ghiera di messa a fuoco in senso antiorario fino in fondo.
4. Premere e rilasciare velocemente il tasto funzione. Se il LED di stato inizia a lampeggiare in verde, significa che Focus Assistant è abilitato.

Se il LED di stato lampeggia in rosso o giallo prima che si sia riusciti a regolare l'obiettivo, passare al punto 7 per uscire da Focus Assistant e ripetere le operazioni descritte nei punti da 3 a 7. Per ulteriori informazioni, consultare le note riportate in precedenza. Vedere le note precedenti. Vedere *Comportamento del LED di stato per l'Assistente di messa a fuoco alla pagina 77*.

5. Ruotare delicatamente la ghiera di messa fuoco in senso orario fino all'arresto.
6. Ruotare la ghiera di messa a fuoco lentamente in senso antiorario fino a quando l'indicatore di stato lampeggia in verde o giallo (non in rosso).
7. Per uscire da Focus Assistant, premere nuovamente il tasto funzione. Assistente di messa a fuoco si disattiva automaticamente dopo 15 minuti.
8. Riavvitare la vite di arresto della ghiera di messa fuoco.
9. Se la messa a fuoco dell'immagine viene lievemente modificata mentre si restringono le levette dello zoom e della messa a fuoco, fare clic su **Fine-tune (Regolazione)**.
10. Se si desidera spostare leggermente la posizione di messa a fuoco, spostare il cursore **Focus position (Posizione di messa a fuoco)**.

IT

## Ripristino delle impostazioni predefinite di fabbrica

### Importante

Il ripristino dei valori predefiniti di fabbrica deve essere utilizzato con cautela. Tale operazione consentirà di ripristinare i valori predefiniti di fabbrica per tutte le impostazioni, incluso l'indirizzo IP.

# AXIS Q1615-E Mk II Network Camera

---

Per ripristinare il dispositivo ai valori predefiniti di fabbrica:

1. Scollegare l'alimentazione dal dispositivo.
2. Tenere premuto il pulsante di comando quando si ricollega l'alimentazione. Vedere *Panoramica del dispositivo alla pagina 74*.
3. Tenere premuto il pulsante di comando per 15-30 secondi finché l'indicatore LED di stato non lampeggia in giallo.
4. Rilasciare il pulsante di comando. Il processo è completo quando l'indicatore del LED di stato diventerà verde. Il dispositivo è stato reimpostato alle impostazioni di fabbrica predefinite. Se nessun server DHCP è disponibile sulla rete, l'indirizzo IP predefinito è 192.168.0.90.
5. Utilizzare gli strumenti per l'installazione e la gestione del software per assegnare un indirizzo IP, impostare la password e accedere al flusso video.

Gli strumenti per l'installazione e la gestione del software sono disponibili nelle pagine dedicate all'assistenza sul sito Web [axis.com/support](http://axis.com/support).

È anche possibile reimpostare i valori predefiniti di fabbrica dei parametri mediante l'interfaccia Web. Andare a **Settings > System > Maintenance (Impostazioni > Sistema > Manutenzione)** e fare clic su **Default (Predefinito)**.

## Ulteriori Informazioni

- Per la versione più recente di questo documento, visitare il sito all'indirizzo [axis.com](http://axis.com)
- Il manuale per l'utente è disponibile all'indirizzo [axis.com](http://axis.com)
- Per verificare se sono stati pubblicati aggiornamenti del firmware per il proprio dispositivo, vedere [axis.com/support](http://axis.com/support)
- Per servizi di formazione utili e webinar, visita il sito [axis.com/academy](http://axis.com/academy)

## Informazioni sulla garanzia

Per informazioni sulla garanzia del dispositivo Axis e informazioni ad esso relative, consultare la pagina [axis.com/warranty](http://axis.com/warranty).

## Información de seguridad

### Niveles de peligro

#### **▲PELIGRO**

Indica una situación peligrosa que, si no se evita, provocará lesiones graves o la muerte.

#### **▲ADVERTENCIA**

Indica una situación peligrosa que, si no se evita, puede provocar lesiones graves o la muerte.

#### **▲ATENCIÓN**

Indica una situación peligrosa que, si no se evita, puede provocar lesiones moderadas o leves.

#### **AVISO**

Indica una situación peligrosa que, si no se evita, puede provocar daños materiales.

ES

### Otros niveles de mensaje

#### **Importante**

Indica información importante que es fundamental para que el producto funcione correctamente.

#### **Nota**

Indica información útil que ayuda a aprovechar el producto al máximo.

## Instrucciones de seguridad

### **AVISO**

- Este producto de Axis debe utilizarse de acuerdo con las leyes y normativas locales.
- Axis recomienda utilizar un cable de red de categoría CAT5e o superior.
- Para usar el producto de Axis en exteriores, o en entornos similares, debe instalarse en una carcasa exterior aprobada.
- Almacene el producto de Axis en un entorno seco y ventilado.
- Evite la exposición del producto de Axis a choques o a una fuerte presión.
- No instale el producto en postes, soportes, superficies o paredes inestables.
- Utilice solo las herramientas correspondientes cuando instale el producto de Axis. La aplicación de una fuerza excesiva con herramientas eléctricas puede provocar daños en el producto.
- No utilice limpiadores en aerosol, agentes cáusticos ni productos químicos.
- Limpie con un paño limpio humedecido con agua pura.
- Utilice solo accesorios que cumplan con las especificaciones técnicas de su producto. Estos accesorios los puede proporcionar Axis o un tercero. Axis recomienda utilizar un equipo de suministro de alimentación de Axis compatible con su producto.
- Utilice solo piezas de repuesto proporcionadas o recomendadas por Axis.
- No intente reparar el producto usted mismo. Póngase en contacto con el servicio de asistencia técnica de Axis o con su distribuidor de Axis para tratar asuntos de reparación.
- La fuente de alimentación se enchufará a una toma de conector instalada cerca del producto y a la que se podrá acceder fácilmente.
- Use una fuente de alimentación limitada (LPS) con una potencia nominal de salida limitada a  $\leq 100$  W y una corriente nominal de salida limitada a  $\leq 5$  A.

## Transporte

### **AVISO**

- Cuando transporte el producto de Axis, utilice el embalaje original o un equivalente para evitar daños en el producto.

## Batería

Este producto de Axis utiliza una batería de litio CR2032 de 3,0 V como fuente de alimentación del reloj interno en tiempo real. En condiciones normales, esta batería durará un mínimo de cinco años.

Las pilas de botón de litio de 3,0 V contienen 1,2-dimetoxietano; éter dimetilico de etilenglicol (EGDME), n.º CAS 110-71-4.

## Guía de instalación

Esta guía de instalación incluye las instrucciones necesarias para instalar la cámara de red AXIS Q1615-E Mk II en su red. Para conocer otros aspectos de uso del producto, vea el manual del usuario disponible en [www.axis.com](http://www.axis.com).

## Pasos de la instalación

1. Asegúrese de que dispone del contenido del paquete, las herramientas y los demás materiales necesarios para la instalación. Vea *página 93*.
2. Estudie la información general del producto. Vea *Información general del producto en la página 94*.
3. Estudie las especificaciones. Vea *página 102*.
4. Instalación del hardware. Vea *página 104*.

ES

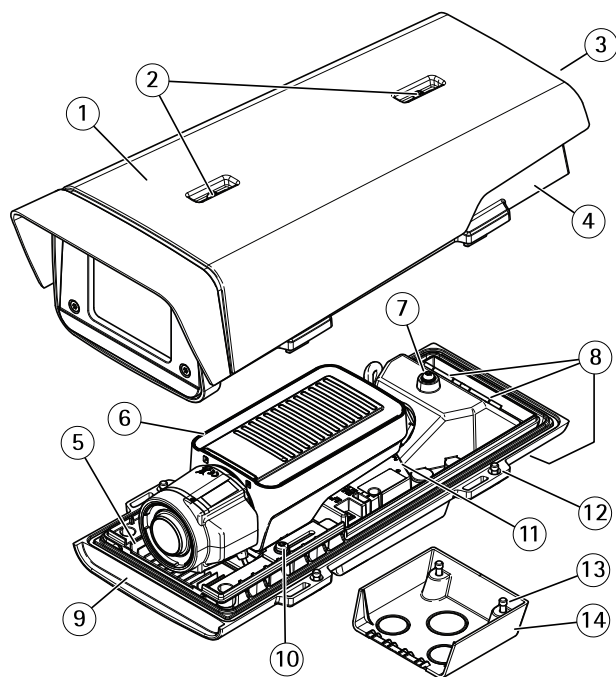
## Contenido del paquete

- Cámara de red AXIS Q1615-E Mk II
- Bloque de conectores de E/S de cuatro pines para conectar dispositivos externos
- Bloque de conectores de dos pines RS485/422 (2)
- Montaje en pared
- Destornillador Torx T20
- Materiales impresos
  - Guía de instalación (este documento)
  - Etiqueta adicional con el número de serie (2)
  - Clave de autenticación AVHS

## Accesorios opcionales

Para obtener información sobre los accesorios disponibles, incluidos los accesorios de alimentación y las carcasas para exteriores, visite [www.axis.com](http://www.axis.com).

## Información general del producto

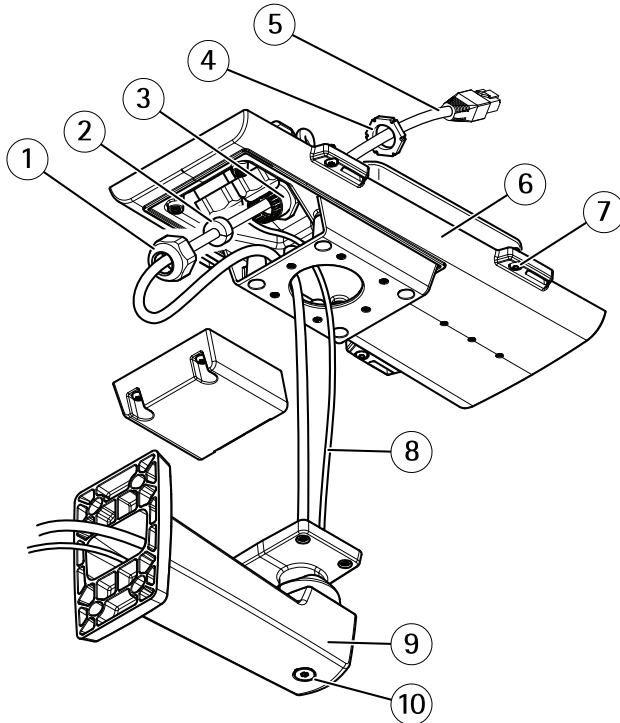


- 1 Parasol
- 2 Tornillos de ajuste del parasol
- 3 Número de producto (N/P) y número de serie (N/S)<sup>1</sup>
- 4 Cubierta superior
- 5 Calefactor. ¡Cuidado! Puede estar caliente.
- 6 Cámara de red

- 7 Lengüeta para cable de seguridad
- 8 Orificios para cable con prensaestopas
- 9 Cubierta inferior
- 10 Tornillos + arandelas de nailon (2)<sup>2</sup>
- 11 Conector de red
- 12 Tornillos de cubierta inferior (4)
- 13 Tornillos de cubierta de cable (2)
- 14 Cubierta de cable

<sup>1</sup> Puede necesitarse el número de serie durante la instalación.

<sup>2</sup> Debe utilizar las arandelas de nailon al montar la cámara en la carcasa.



- 1 Prensaestopas
- 2 Junta de cable
- 3 Orificio para cables
- 4 Prensaestopas
- 5 Cable de red (guiado a través de la escuadra de pared)

- 6 Cubierta inferior
- 7 Tornillos de cubierta inferior (4)
- 8 Cable de tierra
- 9 Soporte de pared
- 10 Tornillo de ajuste de escuadra

## Indicadores LED

### Nota

- Se puede configurar el LED de estado para que se apague durante el funcionamiento normal. Para ello, vaya a **Settings > System > Plain config (Configuración > Sistema > Config. sencilla)**.
- El LED de estado se puede configurar para que parpadee cuando haya un evento activo.
- Se puede configurar el LED de estado para que parpadee e identifique la unidad. Vaya a **Settings > System > Plain config (Configuración > Sistema > Config. sencilla)**.

LED de estado	Indicación
Verde	Fijo en verde para indicar un funcionamiento normal.
Ámbar	Fijo durante el inicio. Parpadea al restaurar valores de configuración.
Rojo	Error de actualización del firmware.

### Nota

El LED de red puede desactivarse para que no parpadee cuando exista tráfico de red. Para configurarlo, vaya a **Settings > System > Plain config (Configuración > Sistema > Config. sencilla)**.

LED de red	Indicación
Verde	Fijo para indicar una conexión a una red de 100 Mbps/s. Parpadea cuando hay actividad de red.
Ámbar	Fijo para indicar una conexión a una red de 10 Mbps/s. Parpadea cuando hay actividad de red.
Apagado	No hay conexión a la red.

### Nota

Se puede configurar el indicador LED de alimentación para que se apague durante el funcionamiento normal. Para ello, vaya a **Settings > System > Plain config (Configuración > Sistema > Config. sencilla)**.



LED de alimentación	Indicación
Verde	Funcionamiento normal.
Ámbar	Parpadea en verde/ámbar durante la actualización del firmware.

## Indicadores LED de la carcasa

### Nota

El LED de carcasa al que se hace referencia en la tabla siguiente se encuentra en la carcasa.

Los eventos de alarma se activarán a través del puerto de entrada de la cámara.

LED de carcasa (ventilador y calefactor)	Indicación
Verde	Funcionamiento normal.
Verde intermitente	Un parpadeo: error del calefactor Doble parpadeo: error del ventilador Triple parpadeo: error general

ES

Póngase en contacto con su distribuidor de Axis para obtener información sobre repuestos y solución de problemas.

## Comportamiento del indicador LED de estado del Asistente de enfoque

### Nota

Válido únicamente para objetivos opcionales iris de tipo P, DC o manual.

Cuando el LED de estado parpadea, el Asistente de enfoque está activado.

Color	Indicación
Rojo	La imagen está desenfocada. Ajuste del objetivo.
Ámbar	La imagen está casi enfocada. Debe ajustar ligeramente el objetivo.
Verde	La imagen está enfocada.

## Avisador acústico del Asistente de enfoque

### Nota

Válido únicamente para objetivos opcionales iris de tipo P, DC o manual.

# AXIS Q1615-E Mk II Network Camera

Avisador acústico	Objetivo
Intervalo rápido	Ajuste óptimo
Intervalo medio	Ajuste menos óptimo
Intervalo lento	Ajuste pobre

## Comportamiento del indicador LED de estado y la señal del avisador acústico con el Asistente de nivelación

Para obtener información sobre el botón de función que se usa para nivelar la cámara, consulte *página 100*.

Mantenga pulsado el botón de función (2) durante más de dos segundos para nivelar la cámara.

- Cuando la cámara esté nivelada, ambos LED se iluminan en verde fijo y el avisador acústico emite un sonido continuo.
- Si no está nivelada, los LED parpadean en rojo, verde y naranja y el sonido se emite en intervalos lentos.

Los dos LED parpadean brevemente en verde para indicar que la nivelación está mejorando.

## Ranura para tarjetas SD

### AVISO

- Riesgo de daños en la tarjeta SD. No emplee herramientas afiladas, objetos de metal ni demasiada fuerza al insertar o extraer la tarjeta SD. Utilice los dedos para insertar o extraer la tarjeta.
- Riesgo de pérdida de datos y grabaciones dañadas. No extraiga la tarjeta SD mientras el producto esté en funcionamiento. Desinstale la tarjeta SD desde la página web de producto antes de retirarla.

Este producto admite tarjetas microSD/microSDHC/microSDXC.

Para conocer las recomendaciones sobre tarjetas SD, consulte *axis.com*.

## Conectores

### Conector de red

Conector Ethernet RJ45 con alimentación a través de Ethernet (PoE).

### AVISO

Debido a la normativa local o a las condiciones ambientales y eléctricas en las que se vaya a utilizar el producto, puede que sea adecuado u obligatorio el uso de un cable de red blindado (STP). Todos los cables que conectan el producto a la red y que se utilicen en exteriores o en entornos eléctricos exigentes deberán estar blindados y diseñados para su

uso específico. Asegúrese de que los dispositivos de red estén instalados de conformidad con las instrucciones del fabricante. Para obtener información sobre los requisitos normativos, vea *Electromagnetic compatibility (EMC) on page 4*.

## Conector de E/S

Utilice el conector de E/S con dispositivos externos en combinación con detección de movimiento, activación de eventos y notificaciones de alarma, por ejemplo. Además del punto de referencia de 0 V CC y la alimentación (salida de CC), el conector de E/S ofrece una interfaz para:

**Entrada digital** – Conectar dispositivos que puedan alternar entre circuitos cerrados y abiertos, por ejemplo, sensores PIR, contactos de puertas y ventanas o detectores de cristales rotos.

**Salida digital** – Conectar dispositivos externos como relés y LED. Los dispositivos conectados se pueden activar mediante la interfaz de programación de aplicaciones VAPIX® o desde la página web del producto.

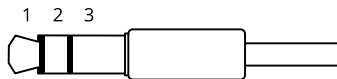
### Nota

El conector de E/S se entrega conectado a la carcasa (ventilador/calefactor). En caso de fallo del ventilador o del calefactor, se activará una señal de entrada en la cámara. Configure una regla de acción en la cámara para determinar qué acción debe activar la señal. Para obtener información sobre eventos y reglas de acción, consulte el manual de usuario disponible en *axis.com*.

ES

## Conector de audio

- **Entrada de audio** – Entrada de 3,5 mm para micrófono mono, o entrada de línea de señal mono (se usa el canal izquierdo de una señal estéreo).
- **Salida de audio:** Salida para audio (nivel de línea) de 3,5 mm que se puede conectar a un sistema de megafonía pública o a un altavoz con amplificador incorporado. Debe utilizarse un conector estéreo para la salida de audio.



# AXIS Q1615-E Mk II Network Camera

	1 Punta	2 Anillo	3 Manguito
<b>Entrada de audio</b>	Balanceada: entrada de línea/micrófono de señal "caliente"  No balanceada: Entrada de línea/micrófono	Balanceada: entrada de línea/micrófono de señal "fría"  No balanceada: sin utilizar	Tierra
<b>Salida de audio</b>	Salida de línea (mono)	Salida de línea (mono)	Tierra

El micrófono interno se utiliza de forma predeterminada; el micrófono externo se utiliza cuando se conecta. Puede desactivar el micrófono interno conectando una clavija en la entrada de micrófono.

## Conector RS485/RS422

Dos bloques de terminales de 2 pines para la interfaz serie RS485/RS422 usada para controlar equipos auxiliares, como dispositivos de movimiento horizontal/vertical.

## Botones

### Botón de control

Para conocer la ubicación del botón de control, consulte *Información general del producto en la página 94*.

El botón de control se utiliza para lo siguiente:

- Restablecer el producto a la configuración predeterminada de fábrica. Consulte *página 109*.
- Conectarse a un servicio AXIS Video Hosting System. Para obtener más información acerca de este servicio, visite [axis.com](http://axis.com)

### Botón de función

#### Nota

El Asistente de enfoque solo es válido para objetivos opcionales iris de tipo P, DC o manual.

Utilice el botón de función para activar las siguientes funciones:

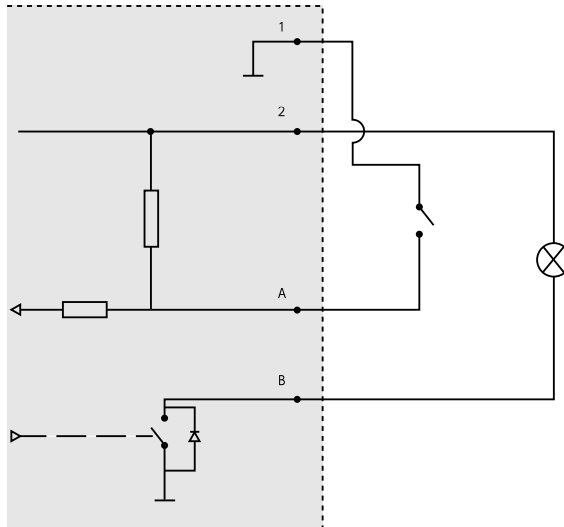
**Asistente de nivelación** – Esta función ayuda a garantizar que la cámara está nivelada. Para iniciar el Asistente de nivelación, pulse el botón durante unos 3 segundos. Para detener el Asistente de nivelado, pulse el botón una vez más. El indicador LED de estado y la señal del avisador acústico

ayudan a nivelar la cámara; consulte *Comportamiento del indicador LED de estado y la señal del avisador acústico con el Asistente de nivelación en la página 98*. La cámara está nivelada cuando el avisador acústico emite un sonido continuo.

**Asistente de enfoque** – Esta función se utiliza para activar el Asistente de enfoque. Para activar el Asistente de enfoque, pulse y suelte rápidamente el botón. Para detener el Asistente de enfoque, pulse el botón una vez más.

## Diagramas de conexión

### Conector de E/S



- 1 0 V CC (-)
- 2 Salida de CC 12 V, 50 mA máx.
- A E/S configurada como entrada
- B E/S configurada como salida

## Especificaciones

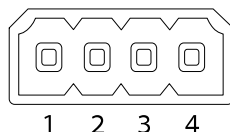
### Condiciones de funcionamiento

Producto	Temperatura	Humedad relativa (con condensación)
AXIS Q1615-E Mk II	De -30 °C a 60 °C conPoE; mínimo de hasta -40 °C con High PoE	10-100%

### Conectores

#### Conector de E/S

Bloque de terminales de 4 pines

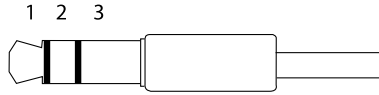


Para ver un ejemplo del diagrama, consulte *Diagramas de conexión en la página 101*.

Función	Pin	Notas	Especificaciones
0 V CC (-)	1		
Salida de CC	2	Se puede utilizar para conectar el equipo auxiliar. Nota: Este pin solo se puede utilizar como salida.	12 V CC Carga máx. = 50 mA
Configurable (entrada o salida)	3-4	Entrada digital: Conéctela al pin 1 para activarla, o bien déjela suelta (o desconectada) para desactivarla.	0 a 30 V CC máx.
		Salida digital: Conectada al pin 1 cuando se activa y suelta (sin conectar) cuando está desactivada. Si se utiliza con una carga inductiva (por ejemplo, un relé), debe conectarse un diodo en paralelo a la carga como protección ante transitorios de tensión.	De 0 a 30 V CC máx., drenaje abierto, 100 mA

## Conector de audio

Conectores de audio de 3,5 mm (estéreo)



	1 Punta	2 Anillo	3 Manguito
<b>Entrada de audio</b>	Balanceada: entrada de línea/micrófono de señal "caliente"  No balanceada: Entrada de línea/micrófono	Balanceada: entrada de línea/micrófono de señal "fría"  No balanceada: sin utilizar	Tierra
<b>Salida de audio</b>	Salida de línea, mono (conector estéreo compatible)	Salida de línea, mono (conector estéreo compatible)	Tierra

ES

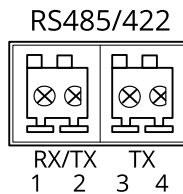
El micrófono interno se utiliza de forma predeterminada; el micrófono externo se utiliza cuando se conecta. Se puede desactivar el micrófono interno conectando una clavija a la entrada de micrófono.

## Conector RS485/RS422

Dos bloques de terminales de 2 pines para la interfaz serie RS485/RS422 usada para controlar equipos auxiliares, como dispositivos de movimiento horizontal/vertical.

El puerto serie puede configurarse para admitir:

- Semidúplex RS485 de dos cables
- Dúplex completo RS485 de cuatro cables
- Símples RS422 de dos cables
- Dúplex completo RS422 de cuatro cables para comunicación dúplex punto a punto



# AXIS Q1615-E Mk II Network Camera

Función	Pin	Notas
RS485B alt RS485/422 RX(B)	1	Par RX para todos los modos (RX/TX combinados para RS485 de dos cables)
RS485A alt RS485/422 RX(A)	2	
RS485/RS422 TX(B)	3	Par TX para RS422 y RS485 de cuatro cables
RS485/RS422 TX(A)	4	

## Importante

La longitud de cable máxima es 30 m.

## Instalación del hardware

Realice lo siguiente para instalar la escuadra de pared:

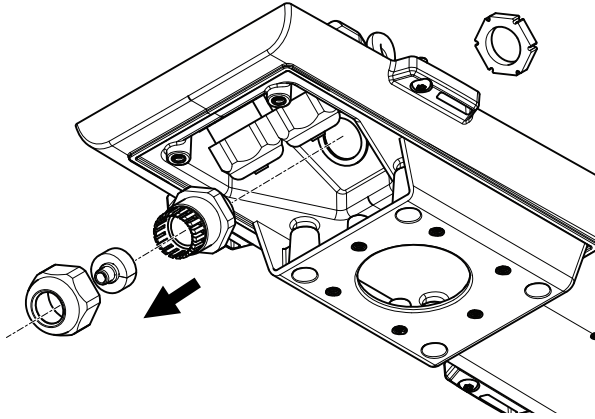
### Nota

- El peso de la cámara es 3525 g. Compruebe que el material sea lo suficientemente resistente como para soportar ese peso.
  - Si utiliza otro prensaestopa distinto del proporcionado, el agua podría filtrarse y dañar el producto.
  - Utilice siempre un cable de red blindado (STP) específico para exteriores entre el producto Axis y el punto final y asegúrese de que dicho punto esté conectado a tierra correctamente. Las instalaciones de productos Axis que utilizan un cable de red blindado (STP) y un punto final correctamente conectado a tierra se han probado de conformidad con los niveles de inmunidad exigidos por el sector, tales como la protección contra sobretensión. Cualquier otro método de instalación anulará la garantía y supondrá un riesgo para la unidad.
  - Deberá guiarse un cable opcional con un diámetro de entre 4,0 mm - 5,5 mm a través de un prensaestopas aparte. Vea *Información general del producto en la página 94*.
1. Utilice la plantilla de perforado suministrada para preparar la pared o un poste para instalar la escuadra de pared.
  2. Guíe el cable de red a través de la escuadra de pared y del adaptador de la escuadra. Deje unos 30 cm de cable aproximadamente para conectarlo a la cámara.
  3. Instale la escuadra de montaje en pared en una pared, techo o poste utilizando los tornillos y tacos adecuados para el material (por ejemplo, madera, metal, placas de yeso o piedra).

Realice las siguientes acciones para guiar el cable de red y cualquier otro cable opcional:

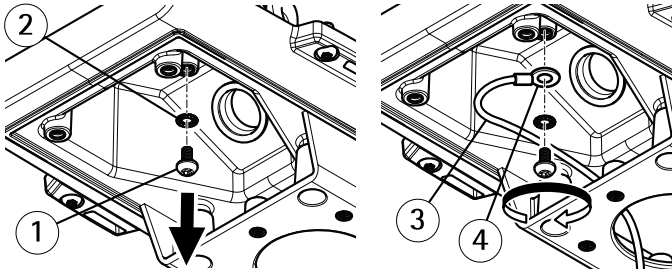
1. Afloje los tornillos de la cubierta inferior y levante la cubierta superior.
2. Afloje los tornillos de la cubierta del cable, separe la cubierta del cable de la cubierta inferior.





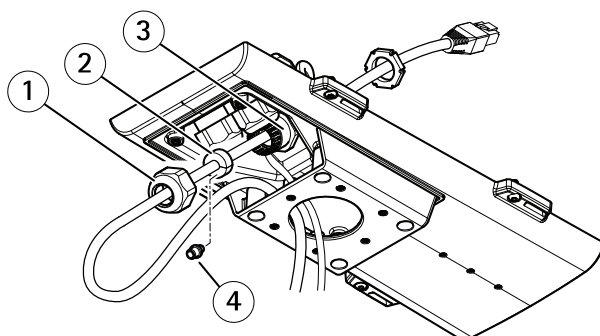
ES

3. Extraiga la tapa, el tapón y la junta del prensaestopas que vaya a utilizar.
4. Retire el tornillo de toma de tierra, la arandela y la zapata para cable de tierra.
5. Fije la zapata montada en el cable de tierra y la arandela con el tornillo de toma de tierra.



- 1 Tornillo de toma de tierra
- 2 Limpiador
- 3 Cable de toma de tierra
- 4 Zapata

6. Guíe el cable de red a través de la tapa.
7. Deslice el cable de red a través de la hendidura en la junta.
8. Guíe el cable de red a través del prensaestopas.



- 1 Tapa
- 2 Junta de cable
- 3 Prensaestopas
- 4 Tapón (desechable)

9. Presione la junta en el prensaestopas y atornille la tapa con firmeza.

Realice lo siguiente para instalar la cámara en la escuadra de pared:

1. Coloque la cámara con la cubierta inferior en la escuadra de pared y apriete los tornillos de la escuadra.
2. Vuelva a colocar la cubierta del cable y apriete los tornillos.
3. Conecte los cables. Vea *Conexión de los cables en la página 106*.
4. Afloje el tornillo de ajuste de la escuadra para enfocar la cámara; hágalo según las instrucciones incluidas en *Ajuste del zoom y el enfoque en el objetivo incluido en la página 107*.
5. Vea también para acceder a la transmisión de vídeo.
6. Conecte el cable de seguridad de la cubierta superior en la lengüeta de la cubierta inferior. Vea la imagen bajo *Información general del producto en la página 94*.
7. Si lo desea, puede insertar una tarjeta de memoria SD (no incluida) en la ranura de tarjeta SDHC (Secure Digital High Capacity). Se precisa una tarjeta SD estándar o de gran capacidad para el almacenamiento local de las imágenes de la cámara.

## Conexión de los cables

### **AVISO**

Debido a la normativa local o a las condiciones ambientales y eléctricas en las que se vaya a utilizar el producto, puede que sea adecuado u obligatorio el uso de un cable de red blindado (STP). Todos los cables de red que se utilicen en exteriores o en entornos eléctricos exigentes deberán estar blindados (STP) y diseñados para su uso específico.

## Nota

Para localizar los diferentes componentes, consulte las ilustraciones de *Información general del producto en la página 94*.

1. Si lo desea, conecte dispositivos de entrada/salida externos; vea *Conectores en la página 102*.
2. Conecte el cable de red al conector de red de la carcasa.
3. Fije la zapata montada en el cable de tierra y la arandela con el tornillo de toma de tierra.

## Localice el dispositivo en la red

Para localizar dispositivos Axis en la red y asignarles direcciones IP en Windows®, utilice AXIS IP Utility o AXIS Device Manager. Ambas aplicaciones son gratuitas y pueden descargarse desde [axis.com/support](http://axis.com/support).

Para obtener más información acerca de cómo encontrar y asignar direcciones IP, consulte el documento *How to assign an IP address and access your device (Cómo asignar una dirección IP y acceder al dispositivo)* en la página sobre el dispositivo en [axis.com](http://axis.com).

ES

## Ajuste del zoom y el enfoque en el objetivo incluido

1. Vaya a **Settings (Ajustes) > Image (Imagen) > Focus (Enfoque)** y haga clic en **Show AF area (Mostrar área de EA)**.
2. Ajuste el área de enfoque automático para cubrir la parte de la imagen que desea que esté enfocada.  
Si no selecciona una zona de enfoque automático, la cámara enfoca la escena completa. Le recomendamos que enfoque un objeto estático.
3. Ajuste el nivel del Zoom.
4. Haga clic en **Autofocus (Enfoque automático)**.

## Nota

Si la cámara no enfoca, intente calibrar la óptica en **System > Maintenance (Sistema > Mantenimiento)** y vuelva a realizar el enfoque automático.

## Sustitución del objetivo

1. Detenga todas las grabaciones y desconecte la alimentación del producto.
2. Desconecte el cable del objetivo y extraiga el objetivo estándar.
3. Coloque el objetivo nuevo y conecte el cable del objetivo.
4. Vuelva a conectar la alimentación.
5. Inicie sesión en la página web del producto y vaya a la pestaña **Image (Imagen)** y seleccione el **P-Iris lens (Objetivo iris de tipo P)** que ha instalado.

## Nota

Si utiliza un objetivo iris de tipo DC, seleccione **Generic DC Iris (Iris de tipo DC genérico)**.

6. Para que los cambios tengan efecto, debe reiniciar el dispositivo. Vaya a **System > Maintenance (Sistema > Mantenimiento)** y haga clic en **Restart (Reiniciar)**.
7. Ajuste el zoom y el enfoque.

## Ajuste del zoom y el enfoque en objetivos opcionales

Si la cámara está montada de manera que no se puede ver la imagen y acceder al objetivo al mismo tiempo, utilice el Asistente de enfoque; consulte *Asistente de enfoque para objetivos opcionales en la página 108*.

## Nota

Válido únicamente para objetivos opcionales iris de tipo P, DC o manual.

1. Vaya a **Settings (Ajustes) > Image (Imagen) > Focus (Enfoque)**.
2. Haga clic en **Fine-tune (Ajustar el enfoque)**.
3. Ajuste el área de enfoque automático para cubrir la parte de la imagen que desea que esté enfocada.  
Si no selecciona una zona de enfoque automático, la cámara enfoca la escena completa. Le recomendamos que enfoque un objeto estático.
4. Haga clic en **Reset focus (Restablecer enfoque)**.
5. Afloje los reguladores de zoom y enfoque del objetivo girándolos en sentido contrario a las agujas del reloj.
6. Mueva la palanca de zoom y el anillo de enfoque para establecer el zoom y el enfoque y compruebe la calidad de la imagen en la ventana de imagen.
7. Vuelva a apretar los reguladores de zoom y enfoque cuando esté satisfecho con el enfoque de la imagen.
8. Si el enfoque de la imagen ha cambiado ligeramente mientras aprieta los reguladores del zoom y el enfoque, haga clic en **Fine-tune (Ajustar el enfoque)**.
9. Si desea ajustar ligeramente la posición de enfoque, mueva el control deslizante **Focus position (Posición de enfoque)**.

## Asistente de enfoque para objetivos opcionales

## Nota

- Válido únicamente para objetivos opcionales iris de tipo P, DC o manual.
- La vista delante de la cámara no debe cambiar durante el ajuste del enfoque (pasos 5 y 6). Si la cámara se mueve, o si se coloca un dedo u otro objeto delante del objetivo, será preciso repetir los pasos 3 a 7.
- Si no es posible evitar el movimiento delante de la cámara, no debe utilizarse el Asistente de enfoque.

- El Asistente de enfoque se puede usar aunque la cámara esté montada de forma que no se pueda acceder al botón de función. En tal caso, siga las instrucciones detalladas a continuación pero monte la cámara después del paso 4, en esta ocasión presionando el botón de función, y omita el paso 7.

Para enfocar la cámara de red con la ayuda del Asistente de enfoque, siga los pasos 1 a 4 descritos en *Ajuste del zoom y el enfoque en objetivos opcionales en la página 108* antes de iniciar la secuencia de pasos detallada a continuación.

1. Monte o coloque la cámara de modo que no pueda moverse.
2. Afloje la palanca de zoom girándola en el sentido contrario a las agujas del reloj. Mueva la palanca para establecer el nivel de zoom. Apriete de nuevo la palanca de zoom.
3. Ponga la cámara en la posición máxima de enfoque lejano; para hacerlo, afloje el tornillo de bloqueo del anillo de enfoque y gire el anillo de enfoque en el sentido contrario a las agujas del reloj hasta el tope.
4. Presione y suelte rápidamente el botón de función. Cuando el indicador LED de estado parpadea en verde, el Asistente de enfoque está activado.  
Si el indicador LED de estado parpadea en rojo o ámbar antes de que pueda ajustar el objetivo, omita el paso 7 para salir del Asistente de enfoque y repita los pasos 3 a 7. Consulte las notas anteriores. Vea *Comportamiento del indicador LED de estado del Asistente de enfoque en la página 97*.
5. Gire lentamente el anillo de enfoque en el sentido de las agujas del reloj hasta que se detenga.
6. Gire lentamente el anillo de enfoque en el sentido contrario a las agujas del reloj hasta que el indicador LED de estado parpadee en verde o ámbar (no en rojo).
7. Para salir del Asistente de enfoque, presione y suelte rápidamente el botón de función una vez más. El Asistente de enfoque se desactiva automáticamente transcurridos 15 minutos.
8. Apriete de nuevo el tornillo de bloqueo del anillo de enfoque.
9. Si el enfoque de la imagen ha cambiado ligeramente mientras aprieta los reguladores del zoom y el enfoque, haga clic en **Fine-tune (Ajustar el enfoque)**.
10. Si desea mover ligeramente la posición de enfoque, mueva el control deslizante **Focus position (Posición de enfoque)**.

ES

## Restablecimiento a la configuración predeterminada de fábrica

### Importante

Es preciso tener cuidado si se va a restablecer la configuración predeterminada de fábrica. Todos los valores, incluida la dirección IP, se restablecerán a la configuración predeterminada de fábrica.

Para restablecer el producto a la configuración predeterminada de fábrica:

1. Desconecte la alimentación del producto.

2. Mantenga pulsado el botón de control mientras vuelve a conectar la alimentación. Consulte *Información general del producto en la página 94*.
3. Mantenga pulsado el botón de control durante 15-30 segundos hasta que el indicador LED de estado parpadee en ámbar.
4. Suelte el botón de control. El proceso finaliza cuando el indicador LED de estado se pone verde. El producto se ha restablecido a la configuración predeterminada de fábrica. Si no hay ningún servidor DHCP disponible en la red, la dirección IP predeterminada será 192.168.0.90.
5. Utilice las herramientas del software de instalación y gestión para asignar una dirección IP, establecer la contraseña y acceder a la transmisión de vídeo.

Las herramientas de software de instalación y gestión están disponibles en las páginas de servicio técnico en [axis.com/support](http://axis.com/support).

También es posible restablecer los parámetros a los valores predeterminados de fábrica mediante la interfaz web. Vaya a **Settings > System > Maintenance (Ajustes > Sistema > Mantenimiento)** y haga clic en **Default (Predeterminado)**.

### Más información

- Para consultar la versión más reciente de este documento, vaya a [axis.com](http://axis.com).
- El manual de usuario se encuentra disponible en [axis.com](http://axis.com).
- Para comprobar si existe un firmware actualizado disponible para su dispositivo, vaya a [axis.com/support](http://axis.com/support).
- Para consultar webinars y cursos en línea que pueden resultarle útiles, vaya a [axis.com/academy](http://axis.com/academy).

### Información de garantía

Para obtener más detalles sobre la garantía del producto Axis y la información relacionada con ella, visite [axis.com/warranty](http://axis.com/warranty).

## 安全情報

### 危険レベル

#### ▲危険

回避しない場合、死亡または重傷につながる危険な状態を示します。

#### ▲警告

回避しない場合、死亡または重傷につながるおそれのある危険な状態を示します。

#### ▲注意

回避しない場合、軽傷または中程度の怪我につながるおそれのある危険な状態を示します。

#### 注記

回避しない場合、器物の破損につながるおそれのある状態を示します。

### その他のメッセージレベル

#### 重要

製品を正しく機能させるために不可欠な重要情報を示します。

#### 注意

製品を最大限に活用するために役立つ有用な情報を示します。

## 安全手順

### 注記

- 本製品は、お使いになる地域の法律や規制に準拠して使用してください。
- Axisは、カテゴリCAT5e以上のネットワークケーブルの使用を推奨します。
- 本製品を屋外またはそれに準じる環境で使用する場合は、認定済みの屋外用筐体に収納して設置する必要があります。
- 本製品は乾燥した換気のよい環境に保管してください。
- 本製品に衝撃または強い圧力を加えないでください。
- 本製品を不安定なポール、ブラケット、表面、または壁に設置しないでください。
- 本製品を設置する際には、適切な工具のみを使用してください。電動工具を使用して過剰な力をかけると、製品が損傷することがあります。
- 化学薬品、腐食剤、噴霧式クリーナーは使用しないでください。
- 清掃には、きれいな水に浸した清潔な布を使用してください。
- 製品の技術仕様に準拠したアクセサリのみを使用してください。これらのアクセサリは、Axisまたはサードパーティから入手できます。Axisは、ご使用の製品と互換性のあるAxis給電ネットワークスイッチの使用を推奨します。
- Axisが提供または推奨する交換部品のみを使用してください。
- 製品を自分で修理しないでください。修理については、Axisサポートまたは販売代理店にお問い合わせください。
- 電源は、製品の近くで簡単に手の届く場所にあるコンセントに接続してください。
- 定格出力が100 Wかつ5 A以下の有限電源 (LPS) を使用します。

## 輸送

### 注記

- 本製品を運搬する際は、製品が損傷しないよう、元の梱包か同等の梱包を使用してください。

## バッテリー

本製品は、内部リアルタイムクロック (RTC) 用電源として、3.0 V CR2032リチウムバッテリーを使用します。このバッテリーは、通常条件下で最低5年間使用できます。

リチウムコイン型3.0V電池は、1,2-ジメトキシエタン (エチレングリコールジメチルエーテル (EGDME)、CAS番号110-71-4) を含有しています。



## インストールガイド

このインストールガイドでは、AXIS Q1615-E Mk II ネットワークカメラをお使いのネットワークにインストールする手順について説明します。製品の使用の詳細については、[www.axis.com](http://www.axis.com)で入手できるユーザーズマニュアルを参照してください

## 設置手順

1. パッケージの内容、ツールなど、設置に必要なものが揃っていることを確認します。113ページを参照してください。
2. 製品の概要を確認します。114ページの、製品の概要を参照してください
3. 仕様を確認します。122ページを参照してください。
4. ハードウェアを設置します。124ページを参照してください。

## パッケージの内容

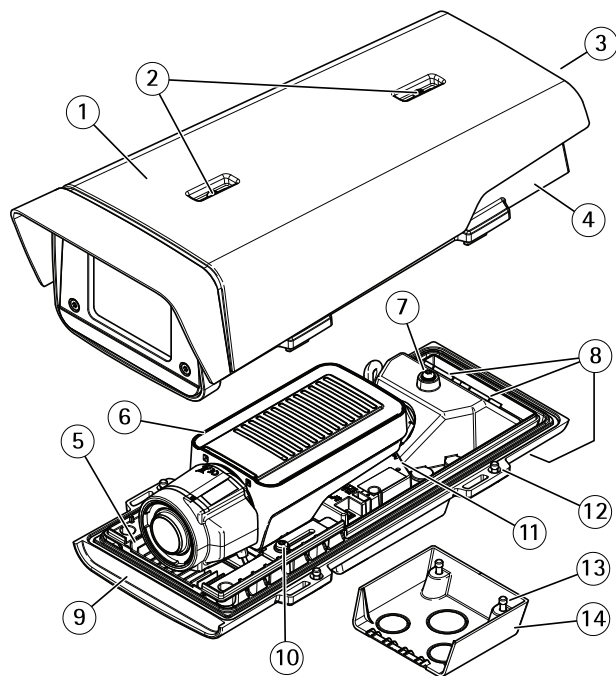
- AXIS Q1615-E Mk II ネットワークカメラ
- 外部デバイス接続用4ピンI/Oコネクタブロック
- 2ピンRS485/422コネクタブロック (×2)
- 壁面取付ブラケット
- トルクスT20ドライバー
- 印刷物
  - インストールガイド (本書)
  - 予備のシリアル番号ラベル×2
  - AVHS認証キー

JA

## オプションのアクセサリー

電源アクセサリー、屋外用ハウジングなど、使用可能なアクセサリーについての情報は、[www.axis.com](http://www.axis.com)をご覧ください。

## 製品の概要

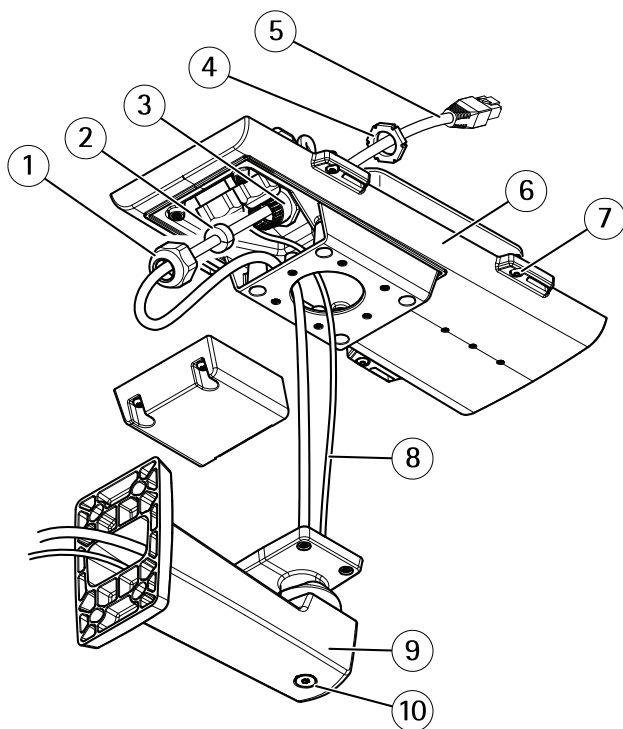


- 1 サンシールド
- 2 サンシールド調節ネジ
- 3 製品番号 (P/N) およびシリアル番号 (S/N)<sup>1</sup>
- 4 上蓋
- 5 ヒーター。注意! 高温になることがあります。

- 6 ネットワークカメラ
- 7 安全ワイヤータブ
- 8 ケーブルグランド付きケーブル孔
- 9 裏蓋
- 10 ネジ+ナイロン製ワッシャー (x2)<sup>2</sup>
- 11 ネットワークコネクタ
- 12 裏蓋ネジ (x4)
- 13 ケーブルカバーネジ (x2)
- 14 ケーブルカバー

1 インストール時にシリアル番号が必要になる場合があります。

2ハウジング内にカメラを取り付けるときに、ナイロン製ワッシャーを使用する必要があります。



- 1 ケーブルグランド
- 2 ガasket
- 3 ケーブル孔

- 4 ケーブルグランド
- 5 ネットワークケーブル (壁面ブラケットに通す)
- 6 裏蓋
- 7 裏蓋ネジ(×4)
- 8 アースケーブル
- 9 壁面取付ブラケット
- 10 ブラケット調節ネジ

## LEDインジケータ

### 注意

- ステータスLEDは、正常動作時に消灯させることができます。設定するには、[Settings > System > Plain config (設定 > システム > プレイン設定)]の順に移動します。
- ステータスLEDは、イベントの発生時に点滅させることができます。
- ステータスLEDを点滅させ、本製品を識別できるように設定することができます。[Settings > System > Plain config (設定 > システム > プレイン設定)]の順に移動します。

ステータスLED	説明
緑	正常動作の場合緑色に点灯します。
オレンジ	起動時に点灯します。設定の復元時に点滅します。
赤	ファームウェアのアップグレード失敗。

### 注意

ネットワークLEDは、ネットワークトラフィックがあるときに点滅しないように無効にすることができます。設定するには、[Settings > System > Plain config (設定 > システム > プレイン設定)]の順に移動します。

ネットワークLED	説明
緑	100Mbit/sネットワークに接続している場合、点灯します。ネットワークパケットを送受信した場合、点滅します。
オレンジ	10Mbit/sネットワークに接続している場合、点灯します。ネットワークパケットを送受信した場合、点滅します。
無点灯	ネットワーク接続なし。

## 注意

電源LEDは、正常動作時に消灯させることができます。設定するには、**[Settings > System > Plain config (設定 > システム > プレイン設定)]**の順に移動します。

電源LED	説明
緑	正常動作。
オレンジ	ファームウェアアップグレード中は緑とオレンジで交互に点滅します。

## ハウジングLEDインジケータ

### 注意

下記の表で説明しているハウジングLEDはハウジング内にあります。

アラームイベントはカメラの入力ポートを通してトリガーされます。

ハウジングLED (ファンおよびヒーター)	説明
緑	正常動作。
緑: 点滅	1回点滅: ヒーターのエラー 2回点滅: ファンのエラー 3回点滅: 一般エラー

JA

スペアパーツおよびトラブルシューティングについては、Axisの販売代理店までお問い合わせください。

## フォーカスアシスタント用ステータスLEDの動作

### 注意

オプションのPアイリス、DCアイリスレンズ、または手動アイリスの各種レンズでのみ有効です。

フォーカスアシスタントが有効のとき、ステータスLEDが点滅します。

カラー	説明
赤	画像がピンぼけしています。 レンズを調整してください。
黄	画像が近すぎてピンぼけしています。 レンズの微調整を行う必要があります。
緑	画像のピントが合っています。

## フォーカスアシスタントのブザー信号

### 注意

オプションのPアイリス、DCアイリスレンズ、または手動アイリスレンズでのみ有効です。

ブザー	レンズ
短い間隔	最適に調節されています
中程度の間隔	もう少しで最適になります
長い間隔	適切に調節されていません

## レベルアシスタントのステータスLEDの動作とブザー信号

カメラの水平位置の調整に使用する機能ボタンの詳細については、120ページを参照してください。

カメラを水平化するには、機能ボタン (2) を2秒以上押し続けます。

- カメラが水平になると、両方のLEDが緑色に点灯し、ブザーが連続音になります。
- カメラが水平でないと、LEDは赤、緑、橙の組み合わせで点滅し、ブザーが長い間隔で鳴ります。

両方のLEDが一時的に緑色に点滅し、水平化が改善したことを示します。

## SDカードスロット

### 注記

- SDカード損傷の危険があります。SDカードの挿入と取り外しの際には、鋭利な工具や金属性の物を使用したり、過剰な力をかけたりしないでください。カードの挿入や取り外しは指で行ってください。
- データ損失や録画データ破損の危険があります。本製品の稼働中はSDカードを取り外さないでください。取り外しの前に、製品のWebページからSDカードをマウント解除してください。

本製品は、microSD/microSDHC/microSDXCカードに対応しています。

推奨するSDカードについては、[axis.com](http://axis.com)を参照してください。

## コネクタ

### ネットワークコネクタ

RJ45イーサネットコネクタ、Power over Ethernet (PoE) 対応。

#### 注記

本製品を使用する場所の地域条例、環境、電氣的条件によっては、シールドネットワークケーブル (STP) の使用が推奨または必須になります。本製品をネットワークに接続して屋外または電氣的に厳しい環境に配線する場合は、用途に合ったネットワークケーブルを使用してください。ネットワーク装置がメーカーの指示どおりに設置されていることを確認します。法的要件については、*Electromagnetic compatibility (EMC) on page 4*を参照してください。

### I/Oコネクタ

I/Oコネクタに外部装置を接続し、動体検知、イベントトリガー、アラーム通知などと組み合わせて使用することができます。I/Oコネクタは、0V DC基準点と電力 (DC出力) に加えて、以下のインターフェースを提供します。

**デジタル入力** - 開回路と閉回路の切り替えが可能なデバイス (PIRセンサー、ドア/窓の接触、ガラス破損検知器など) を接続するための入力です。

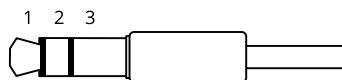
**デジタル出力** - リレーやLEDなどの外部デバイスを接続します。接続されたデバイスは、VAPIX®アプリケーションプログラミングインターフェースまたは製品のWebページから有効にすることができます。

#### 注意

I/Oコネクタは、出荷時に筐体 (ファン/ヒーター) に接続されます。ファンまたはヒーターにエラーが発生すると、カメラで入力信号がトリガーされます。カメラのアクションルールを設定して、その信号でトリガーするアクションを設定してください。イベントとアクションルールについては、アクションのホームページ ([axis.com](http://axis.com)) でユーザーズマニュアルを参照してください。

### 音声コネクタ

- **音声入力** - モノラルマイクロフォンまたはラインインモノラル信号用 (左チャンネルはステレオ信号で使用) 3.5 mm入力。
- **音声出力** - 3.5 mm音声 (ラインレベル) 出力 (パブリックアドレス (PA) システムまたはアンプ内蔵アクティブスピーカーに接続可能)。音声出力には、ステレオコネクタを使用する必要があります。



	1 チップ	2 リング	3 スリーブ
音声入力	バランス: 「ホット」 信号 マイクロフォン/ライン入力  アンバランス: マイクロ フォン/ライン入力	バランス: 「コールド」 信 号マイクロフォン/ライン 入力  アンバランス: 未使用	グラウンド
音声出力	ライン出力、モノラル	ライン出力、モノラル	グラウンド

デフォルトでは内蔵マイクロフォンが使用され、外部マイクロフォンを接続すると、外部マイクロフォンが使用されます。マイクロフォン入力にプラグを差し込むと、内蔵マイクロフォンを無効にできます。

## RS485/RS422 コネクター

パン/チルトデバイスなど補助装置の制御に使用する、RS485/RS422シリアルインターフェース用の2ピンターミナルブロック×2。

## ボタン

### コントロールボタン

コントロールボタンの位置については、114ページの、製品の概要を参照してください。

コントロールボタンは、以下の用途で使用します。

- 製品を工場出荷時の設定にリセットする。129ページを参照してください。
- AXIS Video Hosting Systemサービスに接続する。このサービスの詳細については、[axis.com](http://axis.com)を参照してください。

### 機能ボタン

#### 注意

フォーカスアシスタントはオプションのPアイリスレンズ、DCアイリスレンズ、または手動アイリスレンズでのみ有効です。



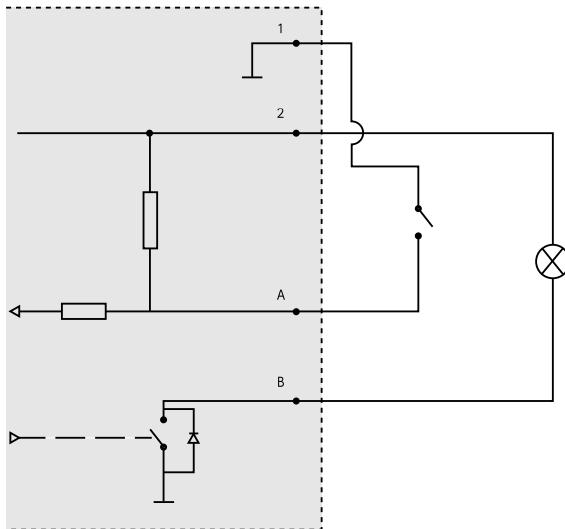
機能ボタンを使用して、以下の機能を有効にします。

**レベルアシスタント** - カメラを水平にするのに役立つ機能です。レベルアシスタントを起動するには、ボタンを約3秒間押し続けます。もう一度押すと、レベルアシスタントが停止します。ステータスLEDとブザー信号を使用して、カメラの水平化を行います。118ページの、**レベルアシスタントのステータスLEDの動作とブザー信号**を参照してください。カメラが水平になると、ブザーが連続音になります。

**フォーカスアシスタント** - この機能はフォーカスアシスタントを有効にするために使用します。フォーカスアシスタントを有効にするには、ボタンを押してすぐに離します。もう一度押すと、フォーカスアシスタントが停止します。

## 接続図

### I/Oコネクタ



- 1 0 VDC (-)
- 2 DC出力12 V、最大50 mA
- A I/O (入力として設定)
- B I/O (出力として設定)

# AXIS Q1615-E Mk II Network Camera

## 仕様

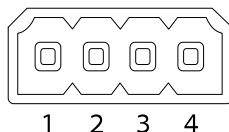
### 動作条件

製品	温度	湿度 RH (結露可)
AXIS Q1615-E Mk II	-30 ° C~60 ° C (PoE)、-40 ° C(High PoE使用時)	10-100%

### コネクタ

#### I/Oコネクタ

4ピンターミナルブロック

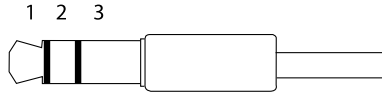


接続例の図については、121ページの、接続図を参照してください。

機能	ピン	備考	仕様
0 V DC (-)	1		
DC出力	2	補助装置の電源供給に使用できます。 注: このピンは、電源出力としてのみ使用できます。	12 V DC 最大負荷 = 50 mA
設定可能 (入力または出力)	3-4	デジタル入力 - 動作させるにはピン1に接続し、動作させない場合はフロート状態 (未接続) のままにします。	0~30 V DC (最大)
		デジタル出力 - 動作させるにはピン1に接続し、動作させない場合はフロート状態 (未接続) にします。誘導負荷 (例: リレー) とともに使用する場合は、過渡電圧から保護するため、ダイオードを負荷と並列に接続する必要があります。	0~30 V DC (最大)、 オープンドレイン、 100 mA

## 音声コネクタ

3.5 mm音声コネクタ (ステレオ)



	1 チップ	2 リング	3 スリーブ
<b>音声入力</b>	バランス: 「ホット」信号 マイクロフォン/ライン入力  アンバランス: マイクロフォン/ライン入力	バランス: 「コールド」信号 マイクロフォン/ライン入力  アンバランス: 未使用	グラウンド
<b>音声出力</b>	ライン出力、モノラル(ステレオコネクタと互換)	ライン出力、モノラル(ステレオコネクタと互換)	グラウンド

JA

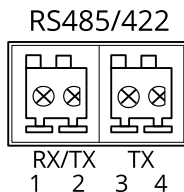
デフォルトでは内蔵マイクロフォンが使用され、外部マイクロフォンが接続されると、外部マイクロフォンが使用されます。マイクロフォン入力にプラグを差し込むと、内蔵マイクロフォンが無効になります。

## RS485/RS422 コネクタ

パン/チルトデバイスなど補助装置の制御に使用する、RS485/RS422シリアルインターフェース用の2ピンターミナルブロック×2。

シリアルポートの設定により、次のモードをサポート可能。

- 2ワイヤーRS485半二重
- 4ワイヤーRS485全二重
- 2ワイヤーRS422単方向
- 4ワイヤーRS422全二重ポイントツーポイント通信



機能	ピン	備考
RS485BまたはRS485/422 RX(B)	1	すべてのモードのRXペア (2ワイヤーRS485のRX/TXペア)
RS485A5BまたはRS485/422 RX(A)	2	
RS485/RS422 TX(B)	3	RS422および4ワイヤーRS485のTXペア
RS485/RS422 TX(A)	4	

## 重要

ケーブルの最大長は30 mです。

## ハードウェアのインストール

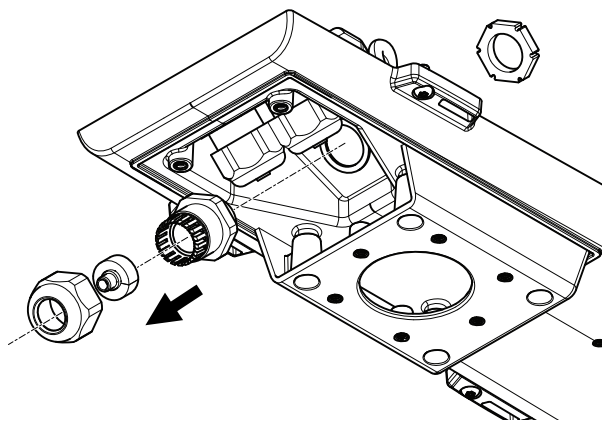
以下の手順で、壁面ブラケットを取り付けます。

### 注意

- カメラの重量は3,525 gです。この重量を十分に支えられる材質かどうかを確認してください。
  - 付属のケーブルグラウンド以外は使用しないでください。水が入り込み、製品が破損するおそれがあります。
  - 本製品とエンドポイントは、屋外用のシールドネットワークケーブル (STP) を使用して接続してください。また、エンドポイントが適切に接地されていることを確認してください。シールドネットワークケーブル (STP) と適切に接地されたエンドポイントを使用して本製品を設置した場合、サージ保護など、業界の耐性基準レベルを満たすことが確認済みです。他の方法で取り付けを行うと、保証の対象外となり、装置に問題が発生するおそれがあります。
  - オプションのケーブル (直径 4.0~5.5 mm) は、個別のケーブルグラウンドで配線する必要があります。114ページの、製品の概要を参照してください。
1. 付属のドリルテンプレートを使用して、壁または支柱に壁面ブラケットを取り付ける準備を行います。
  2. ネットワークケーブルを壁面ブラケットとブラケットアダプターに通します。カメラとの接続用に30 cmほどケーブルを残します。
  3. 材質 (木材、金属、シートロック、石材など) に適したネジとプラグを使用して、壁面ブラケットを壁、天井、または支柱に取り付けます。

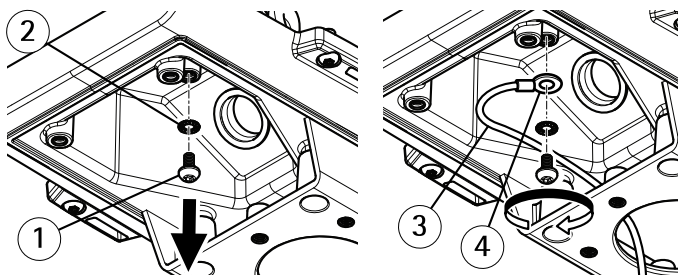
以下の手順で、ネットワークケーブルとその他の (オプションの) ケーブルを配線します。

1. 裏蓋ネジを緩め、上蓋を持ち上げます。
2. ケーブルカバーのネジを緩め、ケーブルカバーを裏蓋から取り外します。



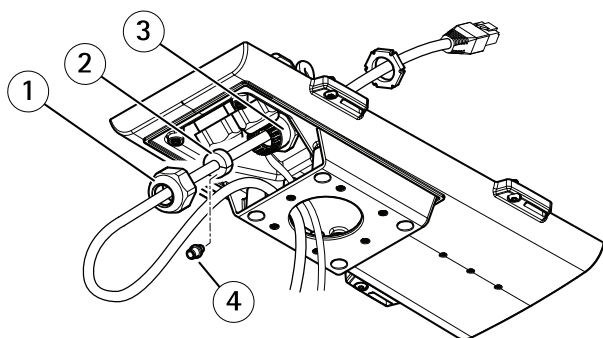
3. 使用するケーブルグランドからキャップ、プラグ、ガスケットを取り外します。
4. アース端子ネジ、ワッシャー、アースシューリングを取り外します。
5. シューリングを取り付けたアース線およびワッシャーをアース端子ネジで固定します。

JA



- 1 アース端子ネジ
- 2 ウォッシャー
- 3 アース線
- 4 シューリング

6. ネットワークケーブルをキャップに通します。
7. ネットワークケーブルをガスケットの溝に沿ってスライドさせます。
8. ネットワークケーブルをケーブルグランドに通します。



- 1 キャップ
- 2 ガasket
- 3 ケーブルグランド
- 4 プラグ(破棄)

9. ガasketをケーブルグランドの中まで押し込み、キャップをしっかりと締めます。

以下の手順で、カメラを壁面ブラケットに取り付けます。

1. 裏蓋が付いたカメラを壁面ブラケットの上に置き、ブラケットネジを締めます。
2. ケーブルカバーを取り付け、ネジを締めます。
3. ケーブルの接続 126ページの、ケーブルの接続を参照してください。
4. ブラケット調節ネジをゆるめてカメラのフォーカスを合わせます。127ページの、付属レンズのフォーカスとズームの調整の指示に従ってカメラのフォーカスを合わせます。
5. ビデオストリームへのアクセスについてはを参照してください。
6. 上蓋の安全ワイヤーを裏蓋のタブに取り付けます。114ページの、製品の概要の図を参照してください。
7. 必要に応じて、SDメモリーカード(非付属品)をSDHC (Secure Digital High Capacity) カードスロットに挿入します。カメラに映像を保存するには、標準または大容量のSDカードが必要です。

## ケーブルの接続

### 注記

本製品を使用する場所の地域条例、環境、電気的条件下によっては、シールドネットワークケーブル(STP)の使用が推奨または必須になります。野外または電氣的に厳しい環境にネットワークケーブルを配線する場合は、個別の用途に合ったシールドネットワークケーブル(STP)を使用してください。

## 注意

各部品の位置については、114ページの、製品の概要にある図を参照してください。

1. 必要に応じて、外部入力/出力装置を接続します。122ページの、コネクタを参照してください。
2. ネットワークケーブルをハウジング内のネットワークコネクタに接続します。
3. シューリングを取り付けたアース線およびワッシャーをアース端子ネジで固定します。

## ネットワーク上のデバイスを検索する

Windows®でAxisデバイスを探してIPアドレスの割り当てを行う方法については、AXIS IP UtilityまたはAXIS Device Managerを使用してください。いずれのアプリケーションも無料で、[axis.com/support](http://axis.com/support)からダウンロードできます。

IPアドレスの検索や割り当てを行う方法の詳細については、デバイスページ ([axis.com](http://axis.com)) にあるドキュメント『IPアドレスを割り当ててデバイスにアクセスする方法』を参照してください。

JA

## 付属レンズのフォーカスとズームの調整

1. [Settings (設定)] > [Image (画像)] > [Focus (フォーカス)] の順に移動し、[Show AF area (AFエリアの表示)] をクリックします。
2. 画像内でフォーカスを合わせる部分が収まるように、オートフォーカスエリアを調整します。  
オートフォーカスエリアを選択しない場合、シーン全体にフォーカスが合わせられます。静的な物体にフォーカスを合わせることをお勧めします。
3. [Zoom (ズーム)] レベルを調整します。
4. [Autofocus (オートフォーカス)] をクリックします。

## 注意

カメラのフォーカスが合わない場合は、[System > Maintenance (システム > 保守)] で光学部品の較正を行い、再度オートフォーカスを実行します。

## レンズの交換

1. 全ての録画を停止し、本製品の電源を切ります。
2. レンズのケーブルを外して標準レンズを取り外します。
3. 新しいレンズを取り付けてレンズケーブルを接続します。
4. 電源に再接続します。

5. 本製品のWebページにログインして **[Image (画像)]** タブに移動してから、取り付けた **[P-Iris lens (Pアイリスレンズ)]** を選択します。

## 注意

DCアイリスレンズの場合は、**[Generic DC iris (汎用DCアイリス)]** オプションを選択してください。

6. 変更を反映するには、デバイスを再起動する必要があります。 **[System > Maintenance (システム > メンテナンス)]** に移動して、 **[Restart (再起動)]** をクリックします。
7. フォーカスとズームを調整します。

## オプションのレンズのズームとフォーカスの調整

映像を見ながらレンズにアクセスできるようにカメラが設置されていない場合は、フォーカスアシスタントを使用します。128ページの、**オプションのレンズのフォーカスアシスタント** を参照してください。

## 注意

オプションのPアイリスレンズ、DCアイリスレンズ、または手動アイリスレンズでのみ有効です。

1. **[Settings (設定)] > [Image (画像)] > [Focus (フォーカス)]** の順に移動します。
2. **[Fine-tune (微調整)]** をクリックします。
3. 画像内でフォーカスを合わせる部分が収まるように、オートフォーカスエリアを調整します。  
オートフォーカスエリアを選択しない場合、シーン全体にフォーカスが合わせられます。静的な物体にフォーカスを合わせることをお勧めします。
4. **[Reset focus (フォーカスのリセット)]** をクリックします。
5. レンズのズーム調節レバーとフォーカス調節レバーを反時計回りに回して緩めます。
6. ズームリングとフォーカスリングを動かしてズームとフォーカスを調節し、映像ウィンドウで画質を確認します。
7. 画像のフォーカスが決まったら、ズーム調節レバーとフォーカス調節レバーを締め直します。
8. ズーム調節レバーとフォーカス調節レバーを締め直すときに画像のフォーカスが少し変更された場合は、**[Fine-tune (微調整)]** をクリックします。
9. フォーカス位置を微調整する場合は、**[Focus position (フォーカス位置)]** スライダーを動かします。

## オプションのレンズのフォーカスアシスタント

## 注意

- オプションのPアイリスレンズ、DCアイリスレンズ、または手動アイリスレンズでのみ有効です。



- フォーカス調節中(手順5と6)はカメラの前の被写体に変化しないようにしてください。カメラが動いたり、レンズの前に指やその他の物体が入り込んだ場合は、手順3~7を繰り返す必要があります。
- カメラの前で被写体が動いてしまう場合は、フォーカスアシスタントを使用しないでください。
- 機能ボタンに手が届かない場所にカメラを設置する場合でも、フォーカスアシスタントを使用できます。手順4までは下記の手順に従い、機能ボタンを押してからカメラを設置し、手順7はスキップします。

フォーカスアシスタントを使用してネットワークカメラのフォーカスを合わせる場合は、128ページの、オプションのレンズのズームとフォーカスの調整の手順1~4の指示に従い、その後、以下の手順を開始してください。

1. カメラが動かないようにしっかりと固定します。
2. ズーム調節レバーを反時計回りに回してゆるめます。レバーを動かしてズーム倍率を設定します。ズーム調節レバーを締め直します。
3. フォーカスリングの固定ネジをゆるめてフォーカスリングを反時計方向にいっぱいまで回し、最も離れた位置にフォーカスを合わせます。
4. 機能ボタンを押して、すぐに離します。ステータスLEDが緑色に点滅して、フォーカスアシスタントが有効になります。  
レンズの調節が可能になる前にステータスLEDが赤または黄色に点滅する場合は、手順7に従ってフォーカスアシスタントを終了してから、手順3~7を繰り返してください(上記の注を参照)。117ページの、フォーカスアシスタント用ステータスLEDの動作を参照してください。
5. フォーカスリングを時計方向にいっぱいまでゆっくりと回します。
6. ステータスLEDが緑または黄色(赤以外)に点滅するまでフォーカスリングを反時計方向にゆっくりと回します。
7. 機能ボタンをもう一度押し、フォーカスアシスタントを終了します。フォーカスアシスタントは15分後に自動的にオフになります。
8. フォーカスリングの固定ネジを締め直します。
9. ズーム調節レバーとフォーカス調節レバーを締め直すときに画像のフォーカスが少し変更された場合は、[Fine-tune (微調整)] をクリックします。
10. フォーカス位置を微調整する場合は、[Focus position (フォーカス位置)] スライダーを動かします。

JA

## 工場出荷時の設定にリセットする

### 重要

工場出荷時の設定へのリセットは慎重に行ってください。工場出荷時の設定へのリセットを行うと、IPアドレスを含むすべての設定が工場出荷時の値にリセットされます。

本製品を工場出荷時の設定にリセットするには、以下の手順を実行します。

1. 本製品の電源を切ります。
2. コントロールボタンを押した状態で電源を再接続します。114ページの、*製品の概要*を参照してください。
3. ステータスLEDインジケーターがオレンジ色に点滅するまで、コントロールボタンを15～30秒間押し続けます。
4. コントロールボタンを離します。プロセスが完了すると、ステータスLEDが緑色に変わります。これで本製品は工場出荷時の設定にリセットされました。ネットワーク上に利用可能なDHCPサーバーがない場合、デフォルトのIPアドレスは192.168.0.90になります。
5. インストールおよび管理ソフトウェアツールを使用して、IPアドレスの割り当て、パスワードの設定、ビデオストリームへのアクセスを行います。  
*axis.com/support*のサポートページに、インストールおよび管理ソフトウェアツールが用意されています。

Webインターフェースを使用して、各種パラメーターを工場出荷時の設定に戻すこともできます。**Settings > System > Maintenance (設定 > システム > メンテナンス)**を選択し、**Default (デフォルト)**をクリックします。

### 関連情報

- 本書の最新バージョンについては、*axis.com*にアクセスしてください。
- ユーザーズマニュアルは、*axis.com*で入手できます。
- ご使用のデバイスの新しいファームウェアがリリースされていないかを確認するには、*axis.com/support*にアクセスしてください。
- 役に立つオンライントレーニングおよびWebセミナーをご用意しております。*axis.com/academy*をご覧ください。

### 保証情報

アクシスの製品保証と関連情報については、*axis.com/warranty*をご覧ください。

## 安全信息

### 危险等级

#### ▲危险

表示如果不避免则会导致死亡或严重伤害的危险情况。

#### ▲警告

表示如果不避免则可能导致死亡或严重伤害的危险情况。

#### ▲小心

表示如果不避免则可能导致轻微或中度伤害的危险情况。

#### 注意

表示如果不避免则可能导致财产损失的情况。

### 其他消息等级

#### 重要

表示产品正常工作所必需的重要信息。

#### 备注

表示有助于充分利用产品的有用信息。

## 安全说明

### 注意

- 使用安讯士产品时应遵守当地法律和法规。
- 安讯士建议使用类别 CAT5e 或更高级别的网线。
- 要在室外或类似环境中使用安讯士产品，应将该产品安装在获得批准的室外防护罩中。
- 在干燥通风的环境中存放安讯士产品。
- 避免将安讯士产品暴露在冲击或高压环境下。
- 请勿将产品安装在不稳固的立杆、支架、表面或墙壁上。
- 安装安讯士产品时，仅使用适用的工具。使用电动工具过度施力可能导致产品损坏。
- 请勿使用化学品、腐蚀剂或气雾剂。
- 使用蘸纯净水的干净布进行清洁。
- 仅使用符合产品技术规格的附件。这些附件可由安讯士或第三方提供。安讯士推荐使用与产品兼容的安讯士电源设备。
- 仅使用安讯士提供或推荐的备件。
- 请勿尝试自行维修产品。有关服务事项，请联系安讯士支持部门或安讯士经销商。
- 电源应插入安装在产品附近的插座上并易于触及。
- 使用额定输出功率限制为  $\leq 100\text{ W}$  和额定输出电流限制为  $\leq 5\text{ A}$  的限制电源 (LPS)。

## 运输

### 注意

- 安讯士产品运输途中，应使用其原包装或等效包装，以防对产品造成损坏。

## 电池

安讯士产品使用 3.0 V CR2032 锂电池作为其内部实时时钟 (RTC) 的电源。在正常情况下，此电池将持续至少五年。

3.0 V 纽扣锂电池内含 1,2-二甲氧基乙烷；乙二醇二甲醚 (EGDME)，CAS 编号为 110-71-4。

## 安装指南

本安装指南提供有关在网络上安装 AXIS Q1615-E Mk II Network Camera 的指导。有关产品使用的其他方面，请参见 [www.axis.com](http://www.axis.com) 上提供的用户手册

## 安装步骤

1. 请确保包装内含物、工具以及安装所需的其他材料状况良好。请参见 [第133页](#)。
2. 仔细阅读产品概述。请参见 [产品概述 在第134页](#)
3. 仔细阅读规格。请参见 [第141页](#)。
4. 安装硬件。请参见 [第143页](#)。

## 包装内容

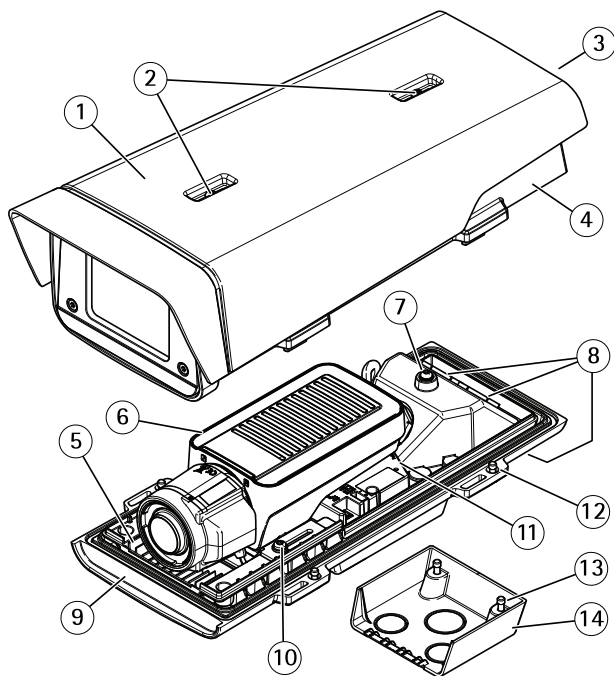
- AXIS Q1615-E Mk II Network Camera
- 用于连接外部设备的 4 针 I/O 连接器块
- 2 针 RS485/422 连接板 (x2)
- 墙挂支架
- Torx T20 螺丝刀
- 印刷材料
  - 安装指南 (本文档)
  - 额外序号标签 (2 个)
  - AVHS 身份验证密钥

ZH

## 可选附件

如欲了解有关可用附件 (包括电源附件和室外防护罩) 的信息，请访问 [www.axis.com](http://www.axis.com)

## 产品概述

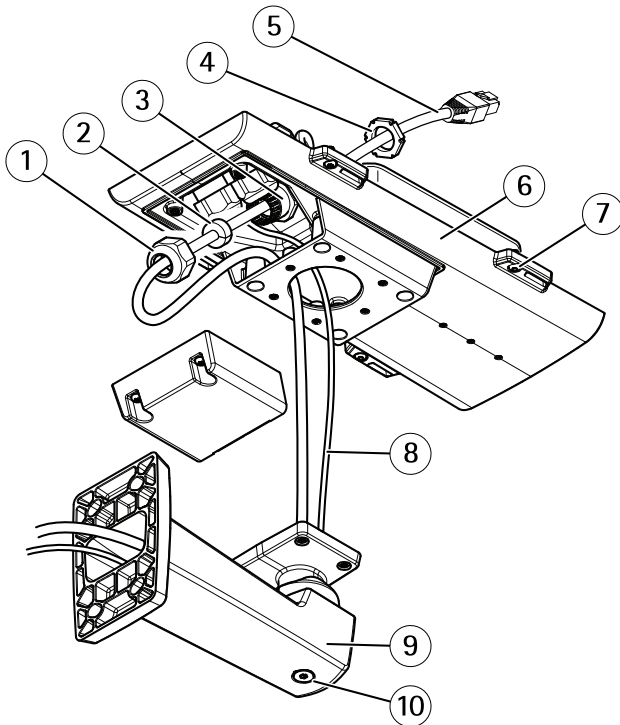


- 1 遮阳罩
- 2 遮阳罩调节螺丝
- 3 产品编号 (P/N) 和序列号 (S/N)<sup>1</sup>
- 4 顶盖
- 5 加热器。注意! 可能很热。

- 6 网络摄像机
- 7 安全线卡舌
- 8 带电缆套管的电缆孔
- 9 底盖
- 10 螺丝 + 尼龙垫圈 (2个)<sup>2</sup>
- 11 网络连接器
- 12 底盖螺丝 (4颗)
- 13 电缆盖板螺丝 (2颗)
- 14 电缆盖板

<sup>1</sup>安装期间可能需要序列号。

<sup>2</sup>在防护罩内安装摄像机时，必须使用尼龙垫圈。



- 1 电缆套管
- 2 垫圈
- 3 电缆孔
- 4 电缆套管

- 5 网络电缆 (穿过墙挂支架)
- 6 底盖
- 7 底盖螺丝 (4 颗)
- 8 接地电缆
- 9 墙挂支架
- 10 支架调整螺丝

## LED 指示灯

### 备注

- 状态 LED 可配置为在正常工作期间不亮。要进行配置，请转到**设置 > 系统 > 普通配置**。
- LED 状态指示灯可被设置为在事件激活时闪烁。
- 状态 LED 可配置为在识别装置时闪烁。转到**设置 > 系统 > 普通配置**。

LED 状态指示灯	指示
绿色	绿色常亮表示正常工作。
橙色	在启动期间稳定。在恢复设置时闪烁。
红色	固件升级失败。

### 备注

网络 LED 可以禁用，以便不会在出现网络流量时闪烁。要进行配置，请转到**设置 > 系统 > 普通配置**。

LED 网络指示灯	指示
绿色	稳定表示连接到 100 Mbit/s 网络。闪烁表示网络活动。
橙色	稳定表示连接到 10 Mbit/s 网络。闪烁表示网络活动。
不亮	没有网络连接。

### 备注

电源 LED 可配置为在正常工作期间不亮。要进行配置，请转到**设置 > 系统 > 普通配置**。

LED 电源指示灯	指示
绿色	工作正常。
橙色	在固件升级过程中呈绿色/橙色闪烁。



## 防护罩 LED 指示灯

### 备注

下表中提到的防护罩 LED 位于防护罩内。

警报事件将通过摄像机的输入端口触发。

防护罩 LED ( 风扇和加热器 )	指示
绿色	工作正常。
闪烁的绿色	单闪： 加热器错误 双闪： 风扇错误 三闪： 一般错误

有关备件和故障排除的信息，请与安讯士经销商联系。

## 对焦助手的 LED 状态指示灯情况

### 备注

仅对可选精确光圈、直流驱动光圈或手动光圈镜头有效。

当对焦助手处于活动状态时，LED 状态指示灯闪烁。

ZH

颜色	指示
红色	图像失焦。 调整镜头。
淡黄色	图像接近对焦。 镜头需要微调。
绿色	图像已对焦。

## 对焦助手的蜂鸣器信号

### 备注

仅对可选精确光圈、直流驱动光圈或手动光圈镜头有效。

蜂鸣器	镜头
快速间隔	优化调整
中等间隔	调整并非最佳
慢速间隔	调整不佳

## 使用水平助手时的 LED 状态指示灯状态和蜂鸣器信号

有关调平摄像机所用功能按钮的信息，请参见第 139 页。

按住功能按钮 (2)，持续时间不超过两秒，以调平摄像机。

- 当摄像机处于水平状态时，两个 LED 均呈稳定的绿色，并连续发出蜂鸣声。
- 当摄像机未处于水平状态时，LED 呈红色、绿色和橙色混合闪烁，并以慢速间隔发出蜂鸣声。

两个 LED 呈绿色短暂闪烁表明水平状态越来越好。

## SD 卡插槽

### 注意

- 损坏 SD 卡的风险。插入或取出 SD 卡时，请勿使用锋利的工具、金属物体或过大力气。使用手指插入和取出该卡。
- 数据丢失和录制内容损坏的风险。产品正在运行时，请勿取出 SD 卡。在取出 SD 卡之前，请先从产品的网页上卸载 SD 卡。

本产品支持 microSD/microSDHC/microSDXC 卡。

有关 SD 卡的建议，请参见 [axis.com](http://axis.com)。

## 接口

### 网络连接器

采用以太网供电 (PoE) 的 RJ45 以太网连接器。

### 注意

由于当地法规或产品使用场所的环境和电气条件，可能需要使用屏蔽网络电缆 (STP)。将产品连接到网络的所有电缆以及在室外或恶劣电气环境中布放的电缆应专用于其特定用途。确保根据制造商的说明安装网络设备。有关法规要求的信息，请参见 *Electromagnetic compatibility (EMC) on page 4*。

### I/O 连接器

在外部设备结合了移动侦测、事件触发和报警通知等功能的情况下，使用 I/O 连接器。除 0 V DC 参考点和电源 (DC 输出) 外，I/O 连接器还提供连接至以下模块的接口：

**数字输入** – 用于连接可在开路 and 闭路之间切换的设备，例如 PIR 传感器、门/窗触点和玻璃破碎侦测器。

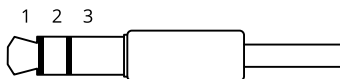
**数字输出** – 用于连接继电器和 LED 等外部设备。已连接的设备可通过 VAPIX® 应用程序编程接口或从产品网页进行激活。

## 备注

I/O 连接器在交货时已连接到护罩（风扇/加热器）。在风扇或加热器出现故障的情况下，将在摄像机中触发输入信号。在摄像机中设置操作规则，以配置信号将触发的操作。有关事件和操作规则的信息，请参阅 [axis.com](http://axis.com) 上提供的用户手册。

## 音频连接器

- **音频输入** – 3.5 毫米输入，用于单声道麦克风或线路输入单声道信号（左声道用于立体声信号）。
- **音频输出** – 用于音频（线路级）的 3.5 毫米输出，可连接到公共地址 (PA) 系统或带有内置放大器的有源扬声器。立体声连接器必须用于音频输出。



	1 尖部	2 中间环	3 尾段
<b>音频输入</b>	平衡： “热” 信号麦克风/线路输入 不平衡： 麦克风/线路输入	平衡： “冷” 信号麦克风/线路输入 不平衡： 未使用	接地
<b>音频输出</b>	线路输出，单声道	线路输出，单声道	接地

ZH

默认使用内部麦克风；连接时使用外部麦克风。您可以将插头连接到麦克风输入来禁用内部麦克风。

## RS485/RS422 连接器

两个用于 RS485/RS422 串行接口的 2 针接线端子，用于控制辅助设备（如水平转动-垂直转动设备）。

## 按钮

### 控制按钮

有关控制按钮的位置，请参见 [产品概述](#) 在第 134 页。

控制按钮用于：

- 将产品重置为出厂默认设置。请参见第 148 页。

# AXIS Q1615-E Mk II Network Camera

- 连接至安讯士视频托管系统服务。要查找更多关于此服务的信息，请参见 [axis.com](http://axis.com)

## 功能按钮

### 备注

聚焦助手仅对可选 P 光圈、DC 光圈或手动光圈镜头有效。

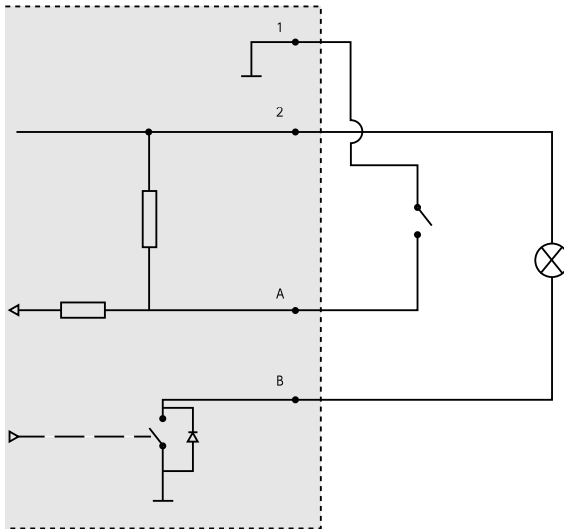
使用功能按钮启用以下功能：

**调平辅助** – 此功能有助于确保摄像机处于水平位置。要启动水平助手，请按下按钮约 3 秒。再次按下以停用水平助手。状态 LED 和蜂鸣器信号可帮助实现摄像机水平，请参见 *使用水平助手时的 LED 状态指示灯状态和蜂鸣器信号* 在第 138 页。当蜂鸣器连续发出蜂鸣声时，摄像机处于水平状态。

**聚焦助手** – 此功能用于启用聚焦助手。要启用聚焦助手，则按下并快速松开按钮。再次按下以停用聚焦助手。

## 连接图

### I/O 接口



- 1 0 V DC (-)
- 2 DC 输出 12 V，最大 50 mA
- A I/O 配置为输入

B I/O 配置为输出

## 规格

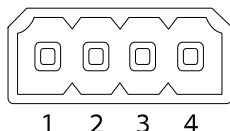
### 工作条件

产品	温度	湿度 RH ( 冷凝 )
AXIS Q1615-E Mk II	-30 ° C 至 60 ° C ( -22 ° F 至 140 ° F ) , 使 用 PoE; 使用大功率 PoE 降至 -40 ° C ( -40 ° F )	10-100%

### 接口

#### I/O 接口

4-针接线端子



ZH

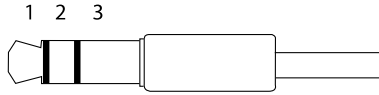
如欲获取示例图表，请参见 [连接图](#) 在第140页。

功能	针脚	备注	规格
0 V DC (-)	1		
DC 输出	2	可用于为辅助设备供电。 注：此针仅可用作电源输出。	12 V DC 最大负载 = 50 mA
可配置 ( 输入或输出 )	3-4	数字输入 - 连接到针脚 1 以启用或断开连接 ( 未连接 ) 以停用。	0 至最大 30 V DC
		数字输出 - 启用后连接至针脚 1，停用后断开连接 ( 未连接 )。如果与继电器等电感负载一起使用，必须将二极管与负载并联，以防止电压瞬变。	0 至最大 30 V DC，开漏，100 mA

# AXIS Q1615-E Mk II Network Camera

## 音频连接器

3.5 毫米音频连接器  
(立体声)



	1 尖部	2 中间环	3 尾段
<b>音频输入</b>	平衡：“热”信号麦克风/线路输入 不平衡：麦克风/线路输入	平衡：“冷”信号麦克风/线路输入 不平衡：未使用	接地
<b>音频输出</b>	线路输出，单声道（兼容立体声连接器）	线路输出，单声道（兼容立体声连接器）	接地

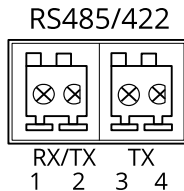
默认使用内部麦克风；连接时使用外部麦克风。将插头连接到麦克风输入可以禁用内部麦克风。

## RS485/RS422 连接器

两个用于 RS485/RS422 串行接口的 2 针接线端子，用于控制辅助设备（如水平转动-垂直转动设备）。

串行端口可配置为支持：

- 两线 RS485 半双工
- 四线 RS485 全双工
- 两线 RS422 单工
- 四线 RS422 全双工点对点通信



功能	针	备注
RS485B alt RS485/422 RX(B)	1	适用于所有模式的 RX 对 ( 适用于双线 RS485 的组合 RX/TX )
RS485A alt RS485/422 RX(A)	2	
RS485/RS422 TX(B)	3	用于 RS422 和 4 线 RS485 的 TX 线对
RS485/RS422 TX(A)	4	

## 重要

最大电缆长度为 30 米 ( 98 英尺 )。

## 安装硬件

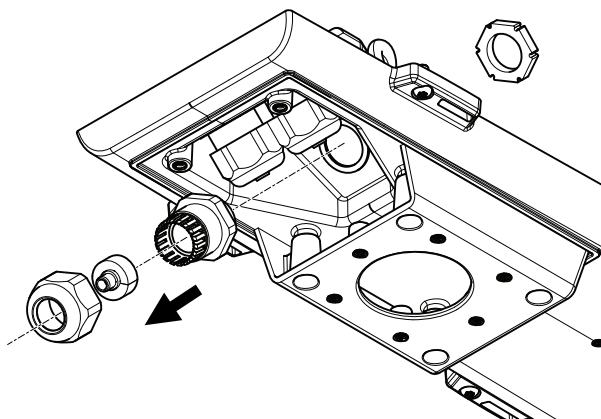
执行以下操作安装墙挂支架：

### 备注

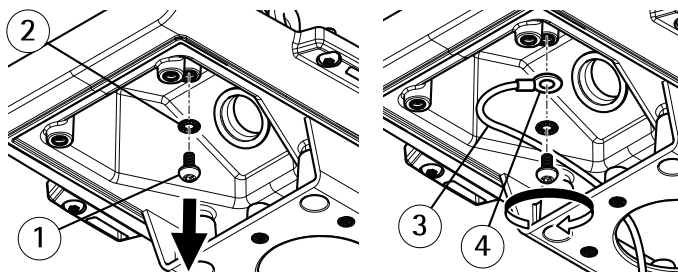
- 摄像机的重量为 3525 克 ( 7.7 磅 )。检查材料是否足够坚固，以承受此重量。
  - 使用提供的电缆套管以外的任何其他电缆套管可能会导致水渗入并损坏产品。
  - 请始终在安讯士产品与端点之间使用室外专用的屏蔽网络电缆 (STP) 并确保端点正确接地。使用屏蔽网络电缆 (STP) 和正确接地端点的安讯士产品的安装已经过测试，符合行业抗扰度标准级别 ( 如浪涌保护 )。任何其他安装方法均不在保修范围内，并会让装置面临危险。
  - 直径为 4.0 毫米 – 5.5 毫米的可选电缆应穿过单独的电缆套管进行布线。请参见 *产品概述* 在第 134 页。
1. 请使用随附的钻孔模板为安装墙挂支架准备墙壁或立杆。
  2. 将网络电缆穿过墙挂支架，然后穿过支架适配器。留出大约 30 厘米 ( 11.8 英寸 ) 的电缆来连接摄像机。
  3. 使用适合材料 ( 例如，木头、金属、板岩、石头 ) 的螺丝和塞子将墙挂支架安装到墙壁、天花板或立杆上。

执行以下操作布置网络及其他 ( 可选 ) 电缆：

1. 松开底盖螺丝，然后提起顶盖。
2. 松开电缆盖板螺丝；从底盖上拆下电缆盖板。



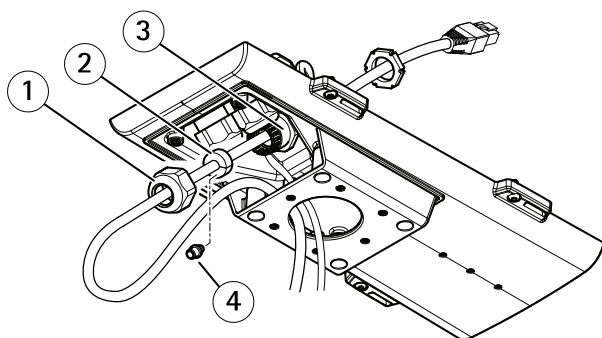
3. 从要使用的电缆套管上取下盖帽、塞子和垫圈。
4. 取下接地螺丝、垫圈和接地套管镶圈。
5. 使用接地螺丝紧固套管镶圈接地线和垫圈。



- 1 接地螺丝
- 2 垫圈
- 3 接地线
- 4 套管镶圈

6. 将网络电缆穿过盖帽。
7. 滑动网络电缆将电缆穿过垫圈的裂缝。
8. 将网络电缆穿过电缆套管。





- 1 盖帽
- 2 垫圈
- 3 电缆套管
- 4 塞子 (丢弃)

9. 将垫圈按进电缆套管并拧紧盖帽。

执行以下操作将摄像机连接到墙挂支架上：

1. 将摄像机连同底盖放到墙挂支架上，然后拧紧支架螺丝。
2. 更换电缆盖板并拧紧螺丝。
3. 连接电缆。请参见 [连接电缆](#) 在第145页。
4. 松开支架调整螺丝以对摄像机进行对焦；按照 [调节附带镜头的变焦和对焦](#) 在第146页下的说明对摄像机进行对焦。
5. 另请参见访问视频流。
6. 将顶盖上的安全线连接至底盖的卡舌。请参见 [产品概述](#) 在第134页下的图片
7. 视情况将 SD 存储卡（不包括）插入 SDHC（安全数字高容量）卡插槽。在摄像机中本地存储图像需要使用标准或高容量 SD 卡。

ZH

## 连接电缆

### 注意

由于当地法规或产品使用场所的环境和电气条件，可能需要使用屏蔽网络电缆 (STP)。在室外或恶劣电气环境中布放的任何网络电缆都应为屏蔽网络电缆 (STP) 并具有其特定用途。

### 备注

要找到不同组件，请参见 [产品概述](#) 在第134页下的插图。

1. 视情况连接外部输入/输出设备，具体请参见 [接口](#) 在第141页。
2. 将网络电缆连接至防护罩内的网络连接器。
3. 使用接地螺丝紧固套管镶圈接地线和垫圈。

## 在网络上查找设备

若要在网络中查找安讯士设备并为它们分配 Windows® 中的 IP 地址，请使用 AXIS IP Utility 或 AXIS 设备管理器。这两种应用程序都是免费的，可以从 [axis.com/support](http://axis.com/support) 上下载。

有关如何查找和分配 IP 地址的更多信息，请参阅 [axis.com](http://axis.com) 设备页上的文档 *如何分配一个 IP 地址和访问您的设备*。

## 调节附带镜头的变焦和对焦

1. 转到 **设置 > 图像 > 对焦**，单击 **显示自动对焦区域**。
2. 调整自动对焦区域，使其覆盖要位于焦点的图像的部分。  
如果没有选择自动对焦区域，摄像机将聚焦于整个场景。我们建议您以静态对象作为焦点。
3. 调整 **变焦** 级别。
4. 单击 **自动对焦**。

### 备注

如果摄像机未对焦，请尝试在 **系统 > 维护** 中校准光学器件，然后再次执行自动对焦。

## 更换镜头

1. 停止所有录制并断开产品电源。
2. 断开镜头线缆，然后拆下标准镜头。
3. 安装新的镜头并连接镜头线缆。
4. 重新连接电源。
5. 登录产品网页，转到 **图像** 选项卡，然后选择您已安装的 **P 光圈镜头**。

### 备注

如果您使用直流驱动光圈镜头，则选择 **通用直流驱动光圈**。

6. 要使更改生效，您需要重启设备。转到 **系统 > 维修** 并点击 **重启**。
7. 调节变焦和对焦。

## 调节可选镜头的对焦和变焦

如果摄像机安装后您不能同时查看图像和使用镜头，则使用对焦助手，请参见 *用于调节可选镜头的聚焦助手* 在第 147 页。

### 备注

仅对可选的 P 光圈、DC 光圈或手动光圈镜头有效。

1. 转到 **设置 > 图像 > 对焦**。
2. 单击 **微调**。
3. 调整自动对焦区域，使其覆盖要位于焦点的图像的部分。  
如果没有选择自动对焦区域，摄像机将聚焦于整个场景。我们建议您以静态对象作为焦点。
4. 单击 **重置对焦**。
5. 逆时针转动镜头上的变焦和对焦拉杆以将其松开。
6. 移动变焦和对焦环以设置变焦和对焦，并在图像窗口中检查图像质量。
7. 对图像对焦满意时，重新紧固变焦和对焦拉杆。
8. 如果在拧紧变焦和对焦拉杆时图像焦点略有变化，请单击 **微调**。
9. 如果要略微调整对焦位置，请移动 **对焦位置** 滑块。

## 用于调节可选镜头的聚焦助手

### 备注

- 仅对可选的 P 光圈、DC 光圈或手动光圈镜头有效。
- 在对焦调整过程中（步骤 5 和 6），不应更改摄像机前面的视图。如果摄像机发生移动，或者手指或其他物体曾放到了镜头前方，则必须重复步骤 3-7。
- 如果无法避免摄像机前面的移动，则不应使用对焦助手。
- 如果安装摄像机后无法触摸功能按钮，您仍可使用对焦助手。请按照以下说明操作（但在步骤 4 之后再安装摄像机），按功能按钮，并跳过步骤 7。

ZH

要使用聚焦助手对焦网络摄像机，请在开始下面的步骤之前先按照 *调节可选镜头的对焦和变焦* 在第 146 页中的步骤 1-4 操作。

1. 将摄像机安装或放置在无法移动的位置。
2. 逆时针调整变焦拉杆以将其松开。移动拉杆以设置变焦级别。重新紧固变焦拉杆。
3. 松开对焦环的锁定螺丝并充分逆时针转动对焦环，将摄像机设置为最远的对焦位置。
4. 按下并快速松开功能按钮。当状态 LED 呈绿色闪烁时，对焦助手已启用。  
如果 LED 状态指示灯在您能够调整镜头之前呈红色或橙色闪烁，请跳到步骤 7 退出聚焦助手，然后重复步骤 3-7。请参见上述说明。请参见 *对焦助手的 LED 状态指示灯情况* 在第 137 页。
5. 轻轻地顺时针转动对焦环，直至其停止。
6. 逆时针缓慢转动对焦环，直至状态指示灯闪烁绿色或橙色（不是红色）。
7. 要退出对焦助手，请再次按下功能按钮。聚焦助手将在 15 分钟后自动关闭。
8. 重新紧固对焦环的锁定螺丝。
9. 如果在拧紧变焦和对焦拉杆时图像焦点略有变化，请单击 **微调**。
10. 如果要略微移动对焦位置，请移动 **对焦位置** 滑块。

## 重置为出厂默认设置

### 重要

重置为出厂默认设置时应谨慎。重置为出厂默认设置会将所有设置（包括 IP 地址）重置为出厂默认值。

将产品重置为出厂默认设置：

1. 断开产品电源。
2. 按住控制按钮，同时重新连接电源。请参见 *产品概述* 在第 134 页。
3. 按住控制按钮 15–30 秒，直到状态 LED 指示灯呈淡黄色闪烁。
4. 松开控制按钮。当状态 LED 指示灯变绿时，此过程完成。产品已重置为出厂默认设置。如果网络上没有可用的 DHCP 服务器，则默认 IP 地址为 192.168.0.90。
5. 使用安装和管理软件工具分配 IP 地址、设置密码和访问视频流。  
安装和管理软件工具可在 [axis.com/support](https://axis.com/support) 的支持页上获得。

也可通过网页界面将参数重置为出厂默认设置。转到 **设置 > 系统 > 维护**，然后点击 **默认**。

## 更多信息

- 有关本文档的最新版本，请参见 [axis.com](https://axis.com)
- 用户手册可从 [axis.com](https://axis.com) 获取
- 要检查是否有设备的可用更新固件，请参见 [axis.com/support](https://axis.com/support)
- 如需有用的在线培训和在线研讨会，请参见 [axis.com/academy](https://axis.com/academy)

## 质保信息

有关安讯士产品质保的信息及相关信息，请转到 [axis.com/warranty](https://axis.com/warranty)。



Installation Guide

AXIS Q1615-E Mk II Network Camera

© Axis Communications AB, 2016 - 2020

Ver. M5.1

Date: January 2020

Part No. 2109170