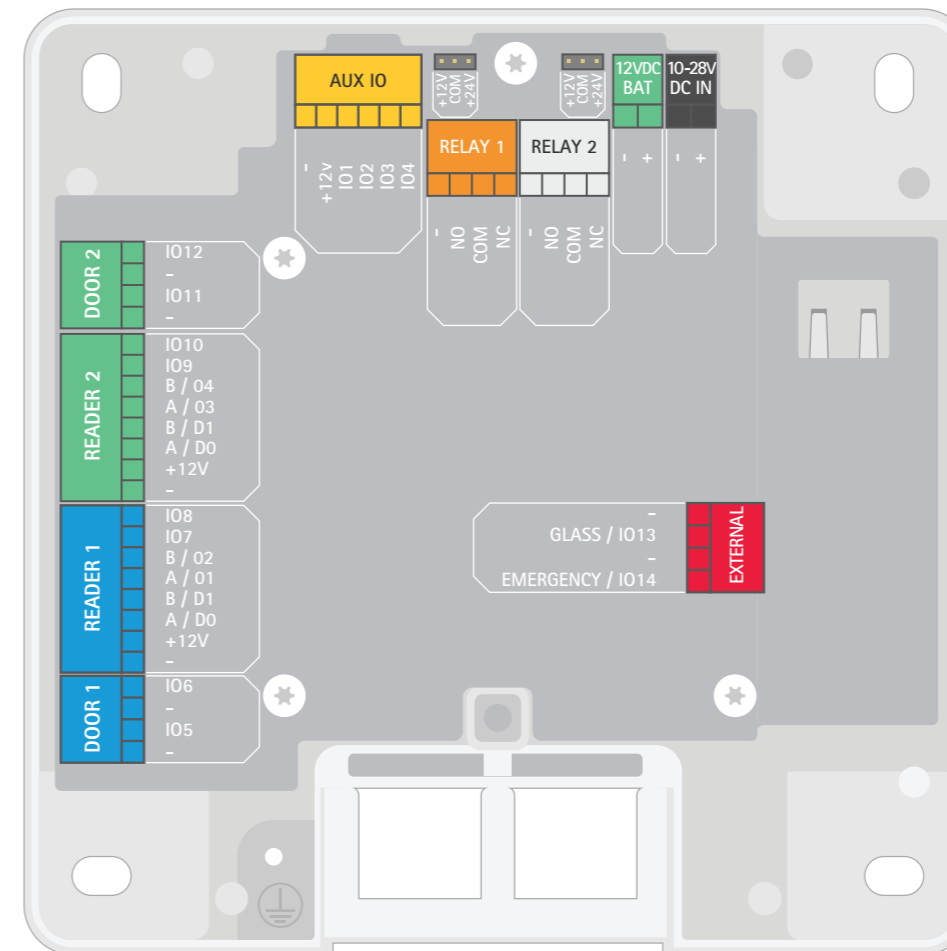


AXIS A1601 Network Door Controller



Electrical wiring drawings

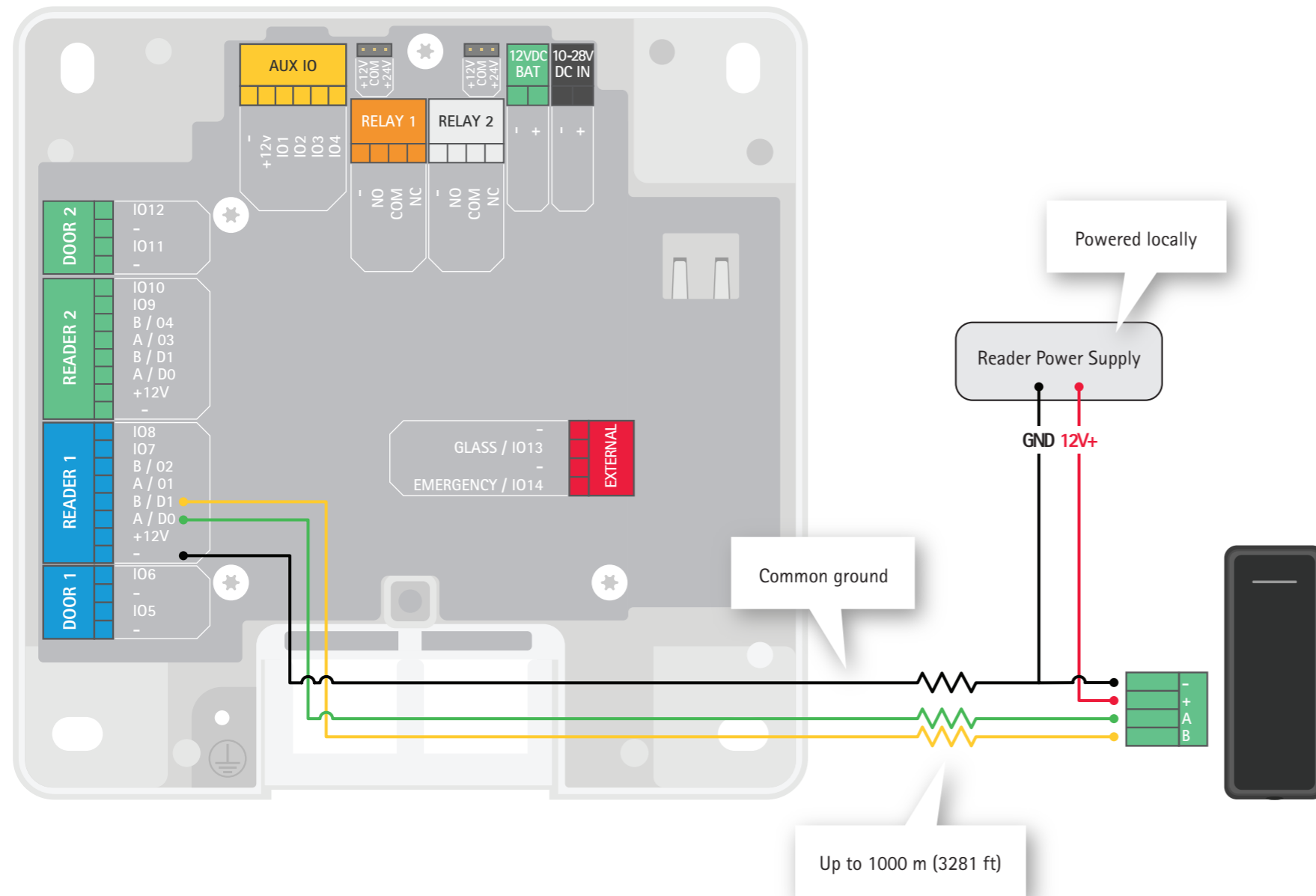
Installation with long cable for OSDP reader

Application

Reader cable is longer than recommended 30 m (100 ft)

Requirements

- > Reader powered locally, not by controller
- > Reader data wiring
 - > RS485 cable, only RS485 communication in cable
 - > Twisted pair with shield
 - > AWG 24
 - > 120 ohm impedance



Adhere to local life safety code in all installations.

Illustration does not depict door monitors, REX devices, locks, controller power supply, network switch, battery backup and UPS.

Ensure that your power supplies and relays are rated for the intended purposes.

This is just an example. Always refer to the pin chart provided from AXIS Camera Station for installation.

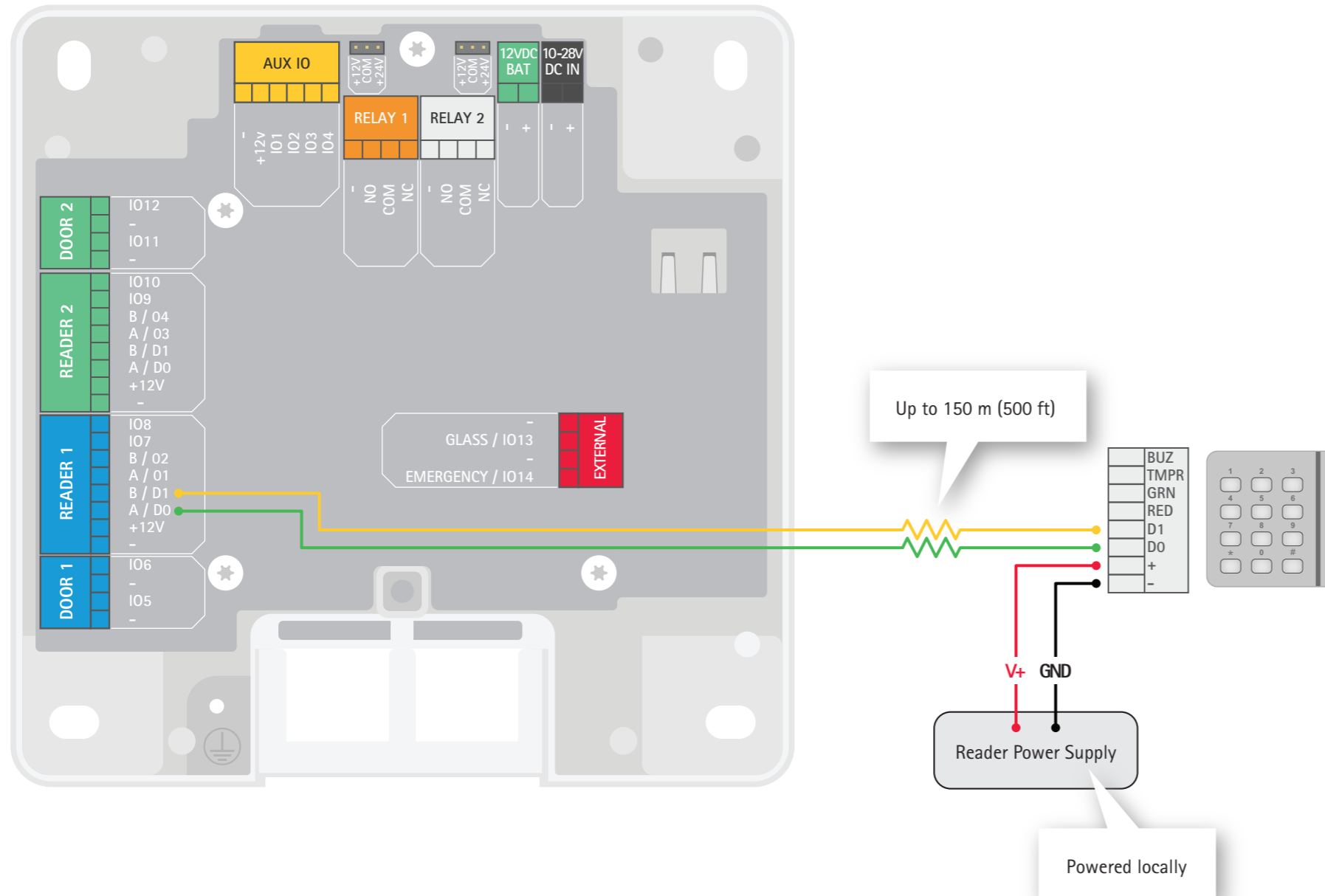
Installation with long cable for Wiegand reader

Application

Reader cable is longer than recommended 30 m (100 ft)

Requirements

- > Reader powered locally, not by controller
- > Reader data wiring
 - > AWG 22



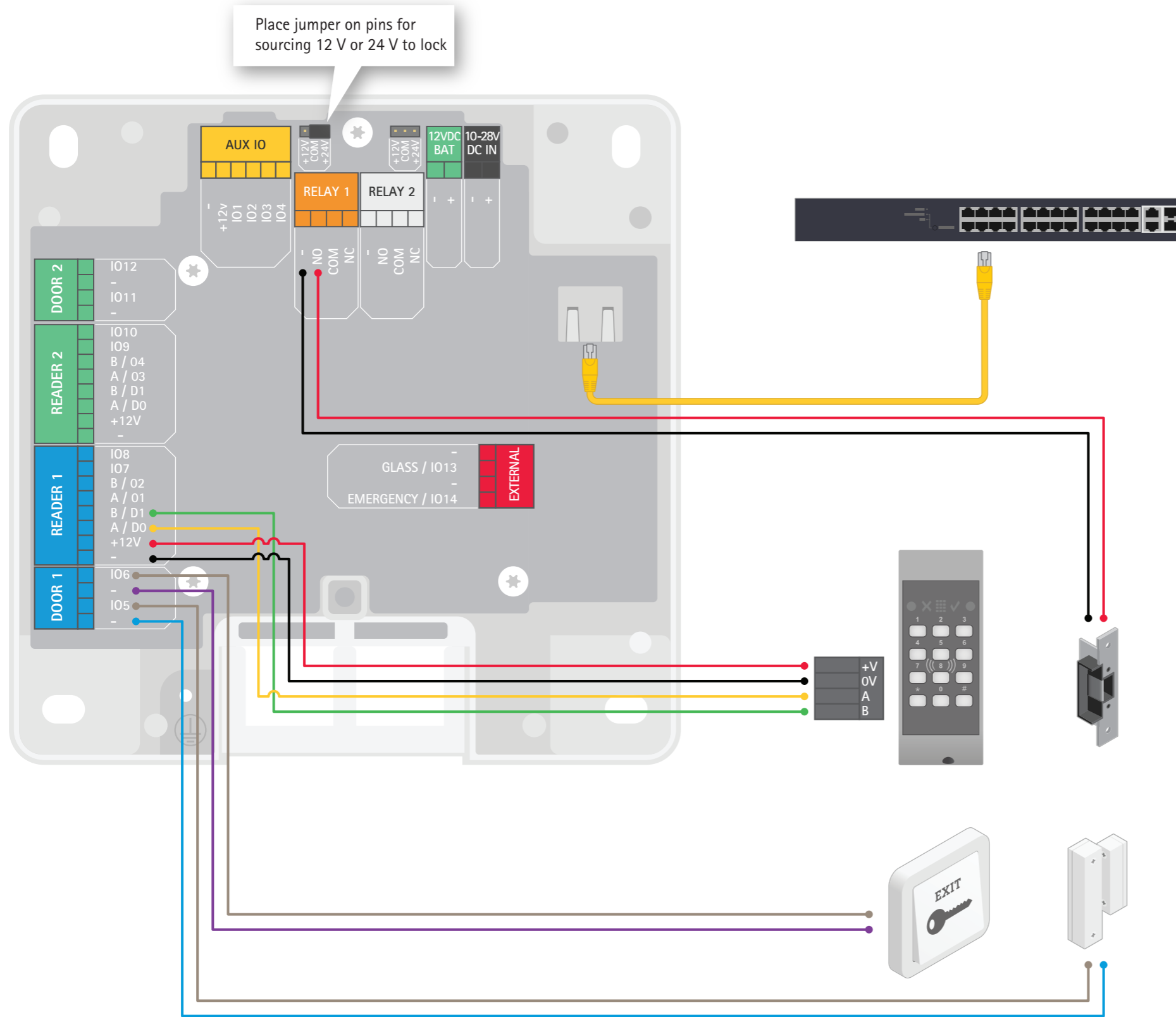
Adhere to local life safety code in all installations.

Illustration does not depict door monitors, REX devices, locks, controller power supply, network switch, battery backup and UPS.

Ensure that your power supplies and relays are rated for the intended purposes.

This is just an example. Always refer to the pin chart provided from AXIS Camera Station for installation.

Installation with one door



Adhere to local life safety code in all installations.
 Illustration does not depict battery backup and UPS.
 Ensure that your power supplies and relays are rated for the intended purposes.
 This is just an example. Always refer to the pin chart provided from AXIS Camera Station for installation.

Application

Standard one-door installation with configuration in AXIS Camera Station

Considerations

- > 24 V fail-secure lock
- > PoE Class 4 switch
- > All peripheral consumption within the controller's power budget

AXIS Camera Station configuration

- Add a door
- Connect to a door controller
- Select Relay 1 for the first lock

Locks
 Relay port 1 Not connected
- Add a door monitor and assign it to I/O 5

Door monitor ^

I/O 5
- Add an OSDP reader on door side A and assign it to Reader port 1

Reader ^

General Advanced

Reader port 1 on device card

Reader port 2 on device card

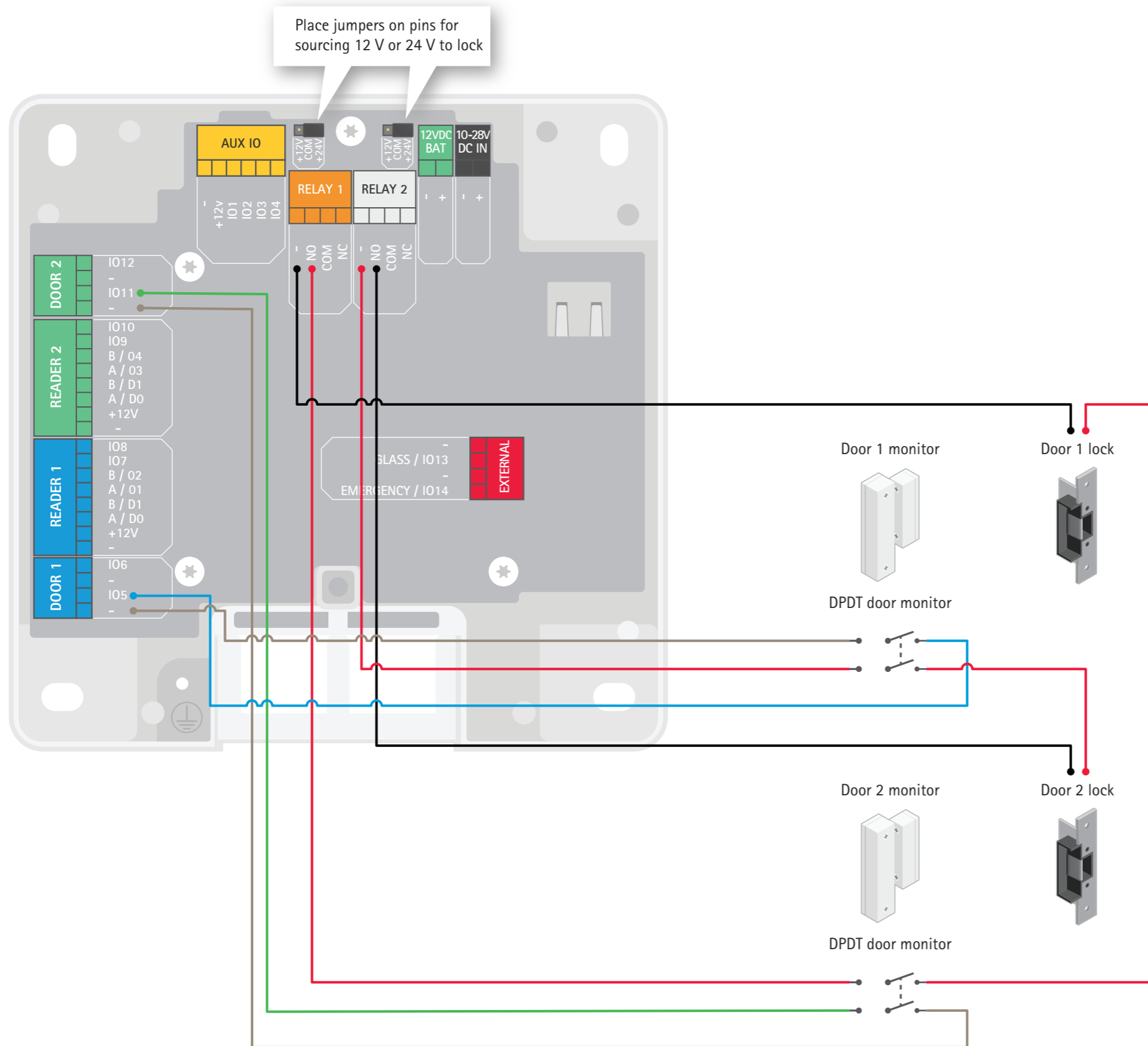
OSDP RS485
- Add a REX device on door side B and assign it to I/O 6

REX device ^

I/O 5

I/O 6

Installation with two-door interlock



Application

Two-door interlock installation with configuration in AXIS Camera Station (One door can only open when the other has closed)

- > two doors connected to one controller
- > two doors connected to two controllers

Considerations

- > Door monitors with max current rating from lock
- > Double Pole Double Throw (DPDT) door monitors
- > 24 V fail-secure locks

Setup

1. Configure one DPDT door monitor
 - a. Connect one pole as input for door 1 monitor
 - b. Connect the other pole in serial to door 2 lock
2. Configure the other DPDT door monitor
 - a. Connect one pole as input for door 2 monitor
 - b. Connect the other pole in serial to door 1 lock

AXIS Camera Station configuration

1. Create door 1 and door 2 that connect to the same controller
2. Assign door lock to Relay 1 for door 1
3. Assign door monitor to I/O 5 for door 1
4. Assign door lock to Relay 2 for door 2
5. Assign door monitor to I/O 12 for door 2

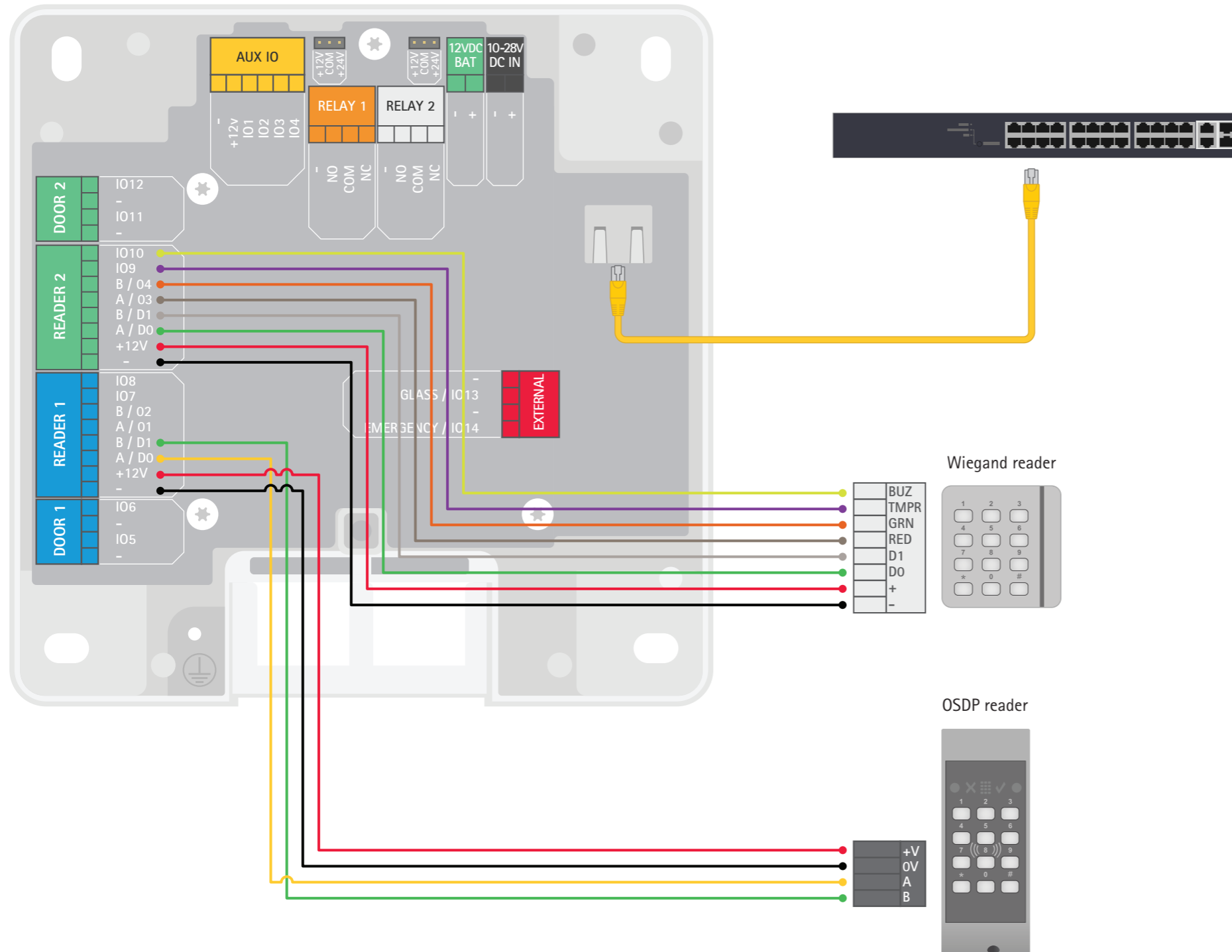
Adhere to local life safety code in all installations.

Illustration does not depict readers, REX devices, controller power supply, network switch, battery backup and UPS.

Ensure that your power supplies and relays are rated for the intended purposes.

This is just an example. Always refer to the pin chart provided from AXIS Camera Station for installation.

Possible reader options



Adhere to local life safety code in all installations.
 Illustration does not depict door monitors, REX devices, locks, battery backup and UPS.
 Ensure that your power supplies and relays are rated for the intended purposes.
 This is just an example. Always refer to the pin chart provided from AXIS Camera Station for installation.

Application

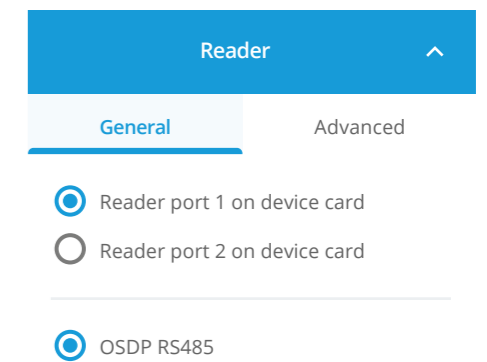
Two wiring options (OSDP and Wiegand) for the controller with configuration in AXIS Camera Station

Considerations

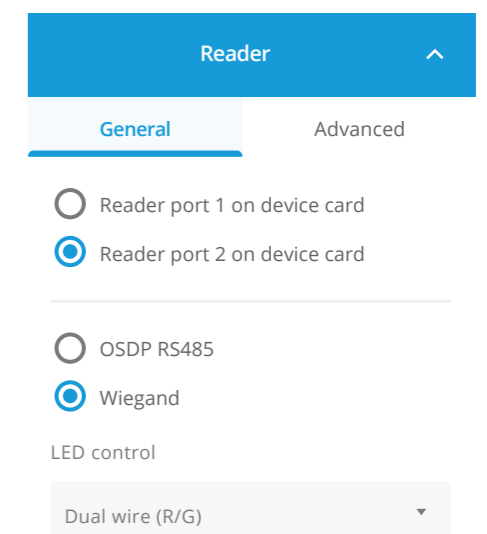
- > PoE Class 4 switch
- > All peripheral consumption within the controller's power budget

AXIS Camera Station configuration

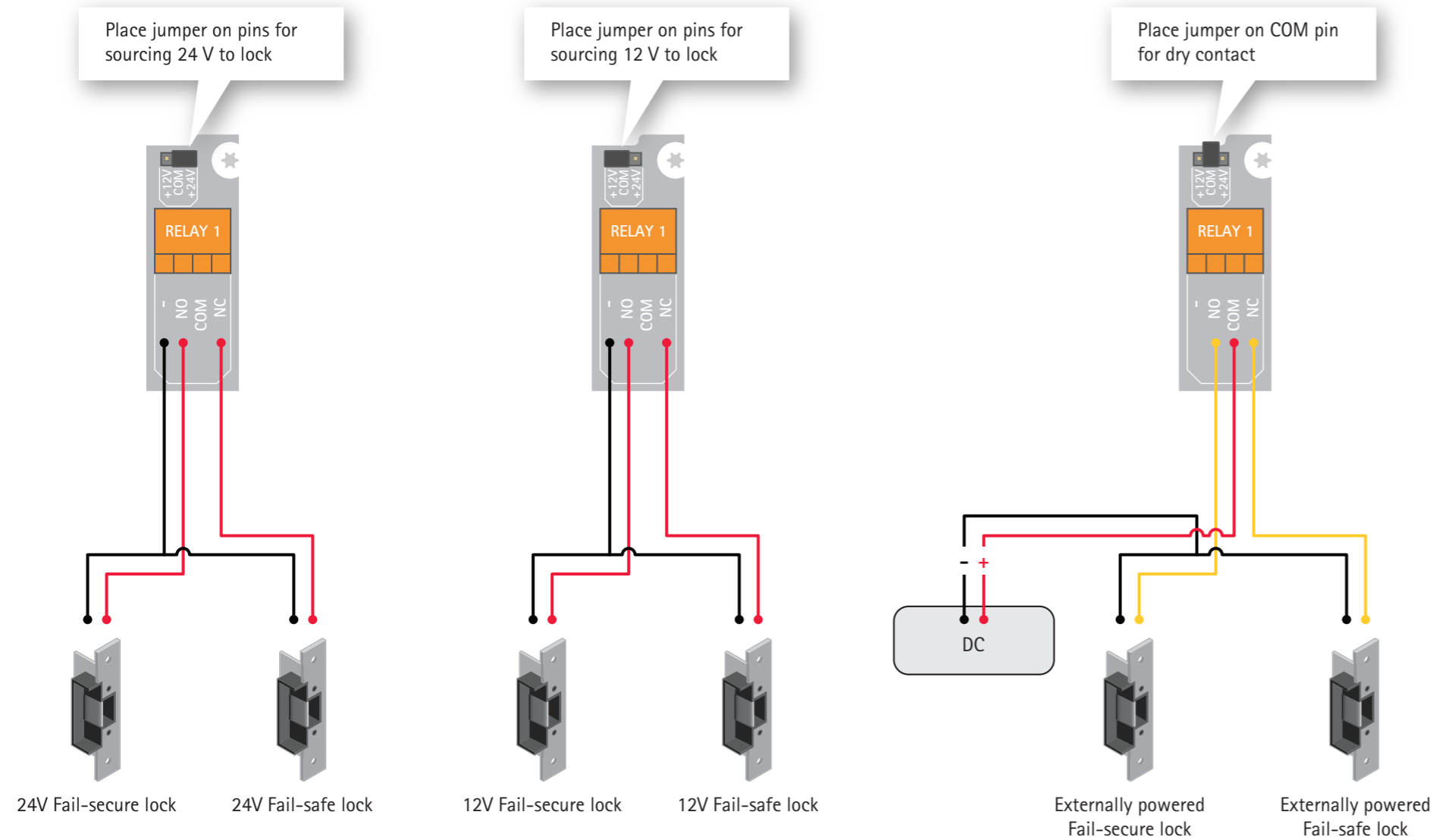
1. Add a door
2. Connect to a door controller
3. Add an OSDP reader on door side A and assign it to Reader port 1



4. Add a Wiegand reader with Dual wire LED control on door side B and assign it to Reader port 2



Possible relay options for A-line products



Application

Configuration of A-line relays with jumpers

Applicable for:

- Axis door controllers
- Axis I/O relay modules

For product-specific voltage and specification for the relay, see the product datasheet.