

ENGLISH

FRANÇAIS

DEUTSCH

ITALIANO

ESPAÑOL

日本語

## **AXIS P13-E Series**

**AXIS P1354-E Network Camera**

**AXIS P1357-E Network Camera**

## **Installation Guide**

## Legal Considerations

Video and audio surveillance can be regulated by laws that vary from country to country. Check the laws in your local region before using this product for surveillance purposes.

This product includes one (1) H.264 decoder license and one (1) AAC decoder license. To purchase further licenses, contact your reseller.

## Liability

Every care has been taken in the preparation of this document. Please inform your local Axis office of any inaccuracies or omissions. Axis Communications AB cannot be held responsible for any technical or typographical errors and reserves the right to make changes to the product and manuals without prior notice. Axis Communications AB makes no warranty of any kind with regard to the material contained within this document, including, but not limited to, the implied warranties of merchantability and fitness for a particular purpose. Axis Communications AB shall not be liable nor responsible for incidental or consequential damages in connection with the furnishing, performance or use of this material. This product is only to be used for its intended purpose.

## Intellectual Property Rights

Axis AB has intellectual property rights relating to technology embodied in the product described in this document. In particular, and without limitation, these intellectual property rights may include one or more of the patents listed at [www.axis.com/patent.htm](http://www.axis.com/patent.htm) and one or more additional patents or pending patent applications in the US and other countries.

This product contains licensed third-party software. See the menu item "About" in the product's user interface for more information.

This product contains source code copyright Apple Computer, Inc., under the terms of Apple Public Source License 2.0 (see [www.opensource.apple.com/aps/](http://www.opensource.apple.com/aps/)). The source code is available from <https://developer.apple.com/bonjour/>

## Equipment Modifications

This equipment must be installed and used in strict accordance with the instructions given in the user documentation. This equipment contains no user-serviceable components. Unauthorized equipment changes or modifications will invalidate all applicable regulatory certifications and approvals.

## Trademark Acknowledgments

AXIS COMMUNICATIONS, AXIS, ETRAX, ARTPEC and VAPIX are registered trademarks or trademark applications of Axis AB in various jurisdictions. All other company names and products are trademarks or registered trademarks of their respective companies.

Apple, Boa, Apache, Bonjour, Ethernet, Internet Explorer, Linux, Microsoft, Mozilla, Real, SMPTE, QuickTime, UNIX, Windows, Windows Vista and WWW are registered trademarks of the respective holders. Java and all Java-based trademarks and logos are trademarks or registered trademarks of Oracle and/or its affiliates. UPnP™ is a certification mark of the UPnP™ Implementers Corporation.

SD, SDHC and SDXC are trademarks or registered trademarks of SD-3C, LLC in the United States, other countries or both. Also, miniSD, microSD, miniSDHC, microSDHC, microSDXC are all trademarks or registered trademarks of SD-3C, LLC in the United States, other countries or both.

## Regulatory Information

### Europe

**CE** This product complies with the applicable CE marking directives and harmonized standards:

- Electromagnetic Compatibility (EMC) Directive 2004/108/EC. See *Electromagnetic Compatibility (EMC) on page 2*.
- Low Voltage (LVD) Directive 2006/95/EC. See *Safety on page 3*.
- Restrictions of Hazardous Substances (RoHS) Directive 2011/65/EU. See *Disposal and Recycling on page 3*.

A copy of the original declaration of conformity may be obtained from Axis Communications AB. See *Contact Information on page 3*.

### Electromagnetic Compatibility (EMC)

This equipment has been designed and tested to fulfill applicable standards for:

- Radio frequency emission when installed according to the instructions and used in its intended environment.
- Immunity to electrical and electromagnetic phenomena when installed according to the instructions and used in its intended environment.

### USA

This equipment has been tested using a shielded network cable (STP) and found to comply with the limits for a Class B digital device, pursuant to part 15 of the FCC Rules. These limits are designed to provide reasonable protection against harmful interference in a residential installation. This equipment generates, uses and can radiate radio frequency energy and, if not installed and used in accordance with the instructions, may cause harmful interference to radio communications. However, there is no guarantee that interference will not occur in a particular installation. If this equipment does cause harmful interference to radio or television reception, which can be determined by turning the equipment off and on, the user is encouraged to try to correct the interference by one or more of the following measures:

- Reorient or relocate the receiving antenna.
- Increase the separation between the equipment and receiver.
- Connect the equipment into an outlet on a circuit different from that to which the receiver is connected.
- Consult the dealer or an experienced radio/TV technician for help.

The product shall be connected using a shielded network cable (STP) that is properly grounded.

### Canada

This digital apparatus complies with CAN ICES-3 (Class B). The product shall be connected using a shielded network cable (STP) that is properly grounded.

Cet appareil numérique est conforme à la norme CAN NMB-3 (classe B). Le produit doit être connecté à l'aide d'un câble réseau blindé (STP) qui est correctement mis à la terre.

### Europe

This digital equipment fulfills the requirements for RF emission according to the Class B limit of EN 55022. The product shall be connected using a shielded network cable (STP) that is properly grounded.

This product fulfills the requirements for immunity according to EN 61000-6-1 residential, commercial and light-industrial environments.

This product fulfills the requirements for immunity according to EN 61000-6-2 industrial environments.

This product fulfills the requirements for immunity according to EN 55024 office and commercial environments

#### Australia/New Zealand

This digital equipment fulfills the requirements for RF emission according to the Class B limit of AS/NZS CISPR 22. The product shall be connected using a shielded network cable (STP) that is properly grounded.

#### Japan

この装置は、クラスB情報技術装置です。この装置は、家庭環境で使用することを目的としています。この装置がラジオやテレビジョン受信機に近接して使用されると、受信障害を引き起こすことがあります。取扱説明書に従って正しい取り扱いをして下さい。本製品は、シールドネットワークケーブル(STP)を使用して接続してください。また適切に接地してください。

#### Korea

이 기기는 가정용(B급) 전자파적합기기로서 주로 가정에서 사용하는 것을 목적으로 하며, 모든 지역에서 사용할 수 있습니다. 적절히 접지된 STP (shielded twisted pair) 케이블을 사용하여 제품을 연결 하십시오.

#### Safety

The power supply used with this product shall fulfill the requirements for Safety Extra Low Voltage (SELV) and Limited Power Source (LPS) according to IEC/EN/UL 60950-1.

This product complies with IEC/EN/UL 60950-1 and IEC/EN/UL 60950-22, Safety of Information Technology Equipment. The product shall be grounded either through a shielded network cable (STP) or other appropriate method.

#### Disposal and Recycling

When this product has reached the end of its useful life, dispose of it according to local laws and regulations. For information about your nearest designated collection point, contact your local authority responsible for waste disposal. In accordance with local legislation, penalties may be applicable for incorrect disposal of this waste.

#### Europe



■ This symbol means that the product shall not be disposed of together with household or commercial waste. Directive 2012/19/EU on waste electrical and electronic equipment (WEEE) is applicable in the European Union member states. To prevent potential harm to human health and the environment, the product must be disposed of in an approved and environmentally safe recycling process. For information about your nearest designated collection point, contact your local authority responsible for waste disposal. Businesses should contact the product supplier for information about how to dispose of this product correctly.

This product complies with the requirements of Directive 2011/65/EU on the restriction of the use of certain hazardous substances in electrical and electronic equipment (RoHS).

#### China

Ⓢ This product complies with the requirements of the legislative act Administration on the Control of Pollution Caused by Electronic Information Products (ACPEIP).

#### Contact Information

Axis Communications AB  
Emdalavägen 14

223 69 Lund  
Sweden

Tel: +46 46 272 18 00

Fax: +46 46 13 61 30

[www.axis.com](http://www.axis.com)

#### Support

Should you require any technical assistance, please contact your Axis reseller. If your questions cannot be answered immediately, your reseller will forward your queries through the appropriate channels to ensure a rapid response. If you are connected to the Internet, you can:

- download user documentation and software updates
- find answers to resolved problems in the FAQ database. Search by product, category, or phrase
- report problems to Axis support staff by logging in to your private support area
- chat with Axis support staff
- visit Axis Support at [www.axis.com/techsup/](http://www.axis.com/techsup/)

#### Learn More!

Visit Axis learning center [www.axis.com/academy/](http://www.axis.com/academy/) for useful trainings, webinars, tutorials and guides.



## Safety Information

Read through this Installation Guide carefully before installing the product. Keep the Installation Guide for future reference.

### Hazard Levels

**▲DANGER**

Indicates a hazardous situation which, if not avoided, will result in death or serious injury.

**▲WARNING**

Indicates a hazardous situation which, if not avoided, could result in death or serious injury.

**▲CAUTION**

Indicates a hazardous situation which, if not avoided, could result in minor or moderate injury.

**NOTICE**

Indicates a situation which, if not avoided, could result in damage to property.

### Other Message Levels

**Important**

Indicates significant information which is essential for the product to function correctly.

**Note**

Indicates useful information which helps in getting the most out of the product.

## Safety Instructions

### **▲WARNING**

- The Axis product shall be installed by a trained professional.

### **NOTICE**

- The Axis product shall be used in compliance with local laws and regulations.
- Store the Axis product in a dry and ventilated environment.
- Avoid exposing the Axis product to shocks or heavy pressure.
- Do not install the product on unstable brackets, surfaces or walls.
- Use only applicable tools when installing the Axis product. Using excessive force with power tools could cause damage to the product.
- Do not use chemicals, caustic agents, or aerosol cleaners.
- Use a clean cloth dampened with pure water for cleaning.
- Use only accessories that comply with technical specification of the product. These can be provided by Axis or a third party.
- Use only spare parts provided by or recommended by Axis.
- Do not attempt to repair the product by yourself. Contact Axis support or your Axis reseller for service matters.

## Transportation

### **NOTICE**

- When transporting the Axis product, use the original packaging or equivalent to prevent damage to the product.

## Battery

The Axis product uses a 3.0 V BR/CR2032 lithium battery as the power supply for its internal real-time clock (RTC). Under normal conditions this battery will last for a minimum of five years.

Low battery power affects the operation of the RTC, causing it to reset at every power-up. When the battery needs replacing, a log message will appear in the product's server report. For more information about the server report, see the product's setup pages or contact Axis support.

The battery should not be replaced unless required, but if the battery does need replacing, contact Axis support at [www.axis.com/techsup](http://www.axis.com/techsup) for assistance.

### **⚠WARNING**

- Risk of explosion if the battery is incorrectly replaced.
- Replace only with an identical battery or a battery which is recommended by Axis.
- Dispose of used batteries according to local regulations or the battery manufacturer's instructions.





## Installation Guide

This Installation Guide provides instructions for installing AXIS P1354-E/P1357-E Network Camera on your network. For other aspects of using the product, see the User Manual available at [www.axis.com](http://www.axis.com)

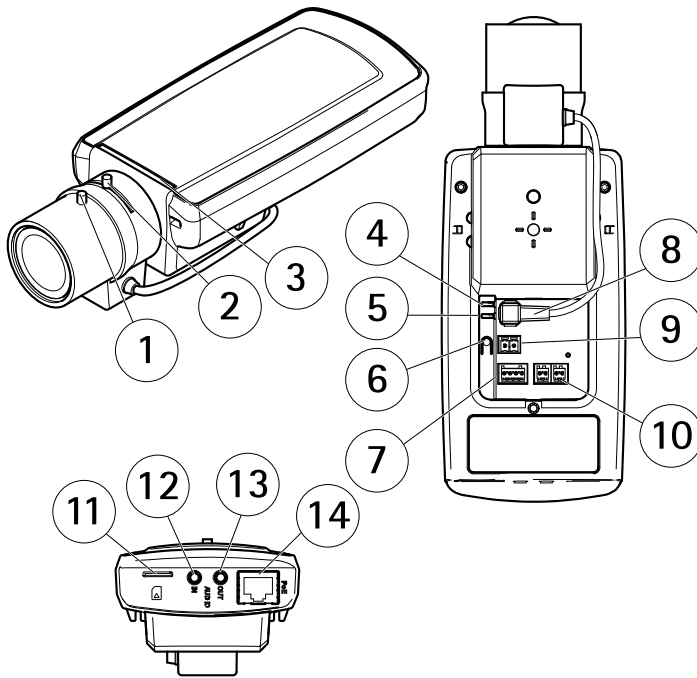
### Installation Steps

1. Make sure the package contents, tools and other materials necessary for the installation are in order. See *page 9*.
2. Study the hardware overview. See *page 10*.
3. Study the specifications. See *page 15*.
4. Install the hardware. See *page 18*.
5. Access the product. See *page 22*.
6. Set the focus. See *page 23*.

### Package Contents

- Network Camera
  - AXIS P1354-E
  - AXIS P1357-E
- Terminal block connector
  - 4-pin connector block for connecting external devices to the I/O terminal connector
  - 2x terminal connector 2-pin STR 2.5 mm BP AB
- Tools
  - Torx T20 screwdriver
  - Torx T30 screw bit
  - Allen key
- Printed materials
  - Installation Guide (this document)
  - Extra serial number label (2x)
  - AVHS Authentication key

## Hardware Overview

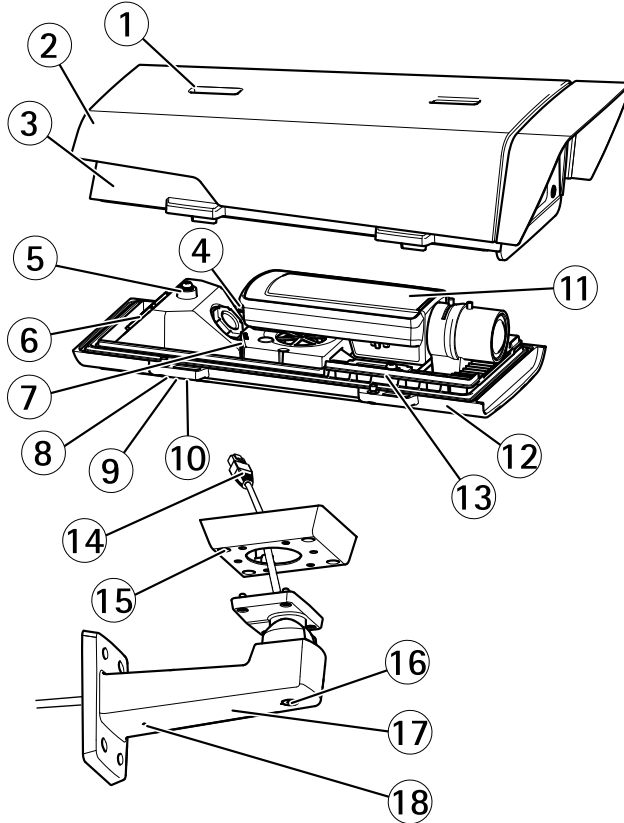


- 1 Focus puller
- 2 Zoom puller
- 3 LED indicator
- 4 Power LED
- 5 Network LED
- 6 Control button
- 7 I/O terminal block
- 8 Iris connector
- 9 Power connector\*
- 10 RS485/422
- 11 SD card slot (microSD)
- 12 Audio in
- 13 Audio out
- 14 Network connector PoE

\* Not used for outdoor variants.

**CAUTION**

Risk of injury. The heaters in the housing may be hot.



- 1 Sunshield adjustment
- 2 Sunshield
- 3 Top cover
- 4 Network connector (PoE IN)
- 5 Safety wire tab
- 6 Cable hole
- 7 Network connector (PoE OUT, connected at delivery)
- 8 Bottom cover screws (4x)
- 9 Cable cover
- 10 Cable cover screws (2x)
- 11 Network camera

# AXIS P13-E Series

---

- 12 *Bottom cover*
- 13 *Heaters*
- 14 *Bracket adapter*
- 15 *Bracket screws (4x)*
- 16 *Bracket adjustment screw*
- 17 *Wall bracket*
- 18 *Alternative cable hole*

## LED Indicators

### Note

- The Status LED can be configured to be unlit during normal operation. To configure, go to **Setup > System Options > Ports & Devices > LED**. See the online help for more information.
- The Status LED can be configured to flash while an event is active.
- The Status LED can be configured to flash for identifying the unit. Go to **Setup > System Options > Maintenance** .

Status LED	Indication
Green	Steady green for normal operation.
Amber	Steady during startup and when restoring settings.

Network LED	Indication
Green	Steady for connection to a 100 Mbit/s network. Flashes for network activity.
Amber	Steady for connection to a 10 Mbit/s network. Flashes for network activity.
Unlit	No network connection.

Power LED	Indication
Green	Normal operation.
Amber	Flashes green/amber during firmware upgrade.

## LED Indicators

### Note

The housing LED referred to in the table below is located in the housing.

Housing LED (fan and heater)	Indication
Green	Normal operation.
Flashing green	Single flash: Heater error Double flash: Fan error Triple flash: General error Alarm events will be triggered through the camera's input port. Contact your Axis reseller for information about spare parts and troubleshooting.

**Status LED Behavior for Focus Assistant**

Color	Indication
Green	Focus Assistant is enabled The lens is optimally adjusted
Amber	The camera has been moved, or an object has been placed in front of the lens. Exit and restart the Focus Assistant. The lens is less optimally adjusted.
Red	The camera has been moved, or an object has been placed in front of the lens. Exit and restart the Focus Assistant. The lens is poorly adjusted.

**Connectors and Buttons**

For specifications and operating conditions, see *page 15*.

**Network Connector**

RJ45 Ethernet connector with Power over Ethernet (PoE).

**NOTICE**

The product shall be connected using a shielded network cable (STP). All cables connecting the product to the network shall be intended for their specific use. Make sure that the network devices are installed in accordance with the manufacturer's instructions. For information about regulatory requirements, see *Electromagnetic Compatibility (EMC) on page 2*.

**I/O Connector**

Use with external devices in combination with, for example, tampering alarms, motion detection, event triggering, time lapse recording and alarm notifications. In addition to the 0 V DC reference point and power (DC output), the I/O connector provides the interface to:

# AXIS P13-E Series

---

- **Digital output** – For connecting external devices such as relays and LEDs. Connected devices can be activated by the VAPIX® Application Programming Interface, output buttons on the Live View page or by an Action Rule. The output will show as active (shown under **System Options > Ports & Devices**) if the alarm device is activated.
- **Digital input** – An alarm input for connecting devices that can toggle between an open and closed circuit, for example: PIRs, door/window contacts, glass break detectors, etc. When a signal is received the state changes and the input becomes active (shown under **System Options > Ports & Devices**).

## Note

The I/O connector is connected to the housing (fan/heater) on delivery. In the case of a fan or heater error, an input signal will be triggered in the camera. Set up an action rule in the camera to configure which action the signal shall trigger. For information about events and action rules, see the User Manual available on [www.axis.com](http://www.axis.com)

## Audio Connector

The Axis product has the following audio connectors:

- **Audio in (pink)** – 3.5 mm input for a mono microphone, or a line-in mono signal.
- **Audio out (green)** – 3.5 mm output for audio (line level) that can be connected to a public address (PA) system or an active speaker with a built-in amplifier. A stereo connector must be used for audio out.

For audio in, the left channel is used from a stereo signal.

## RS485/RS422 Connector

Two terminal blocks for RS485/RS422 serial interface used to control auxiliary equipment such as pan-tilt devices.

## SD Card Slot

### NOTICE

- Risk of damage to SD card. Do not use sharp tools or excessive force when inserting or removing the SD card.
- Risk of data loss. To prevent data corruption, the SD card should be unmounted before removal. To unmount, go to **Setup > System Options > Storage > SD Card** and click **Unmount**.

This product supports microSD/microSDHC/microSDXC cards (not included).

For SD card recommendations, see [www.axis.com](http://www.axis.com)

**Control Button**

For location of the control button, see *Hardware Overview on page 10*.

The control button is used for:

- Enabling the Focus Assistant. Press and very quickly release the Control button
- Resetting the product to factory default settings. See *page 24*.
- Connecting to an AXIS Video Hosting System service or AXIS Internet Dynamic DNS Service. For more information about these services, see the User Manual.

**Specifications**

**Operating Conditions**

Products	Temperature	Humidity
AXIS P1354-E AXIS P1357-E	-30 °C to 50 °C (-22 °F to 122 °F) with PoE, down to -40 °C (-40 °F) with High PoE	10-100% RH (condensing)

**Cold Startup Delay Switch**

The housing used in this Axis product features Arctic Temperature Control, which is enabled by setting the Cold Startup Delay switch to I (ON). When enabled, this function controls when the camera restarts after a power cut, when temperatures are below 0 °C (32 °F); the camera is first heated to approximately 0 °C (32 °F) before it initializes. This prevents damage to camera models that include moving parts.

**Power Consumption**

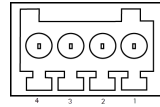
Products	PoE	High PoE
AXIS P1354-E AXIS P1357-E	max 12.95 W IEEE 802.3af/802.3at Type 1 Class 3	max 25.5 W

# AXIS P13-E Series

## Connectors

### I/O Connector

4-pin terminal block



For an example diagram, see *Connection Diagrams on page 18*.

Function	Pin	Notes	Specifications
0 V DC (-)	1		
DC output	2	Can be used to power auxiliary equipment. Note: This pin can only be used as power out.	3.3 V DC Max load = 50 mA
Digital Input	3	Connect to pin 1 to activate, or leave floating (unconnected) to deactivate.	0 to max 40 V DC
Digital Output	4	Connected to pin 1 when activated, floating (unconnected) when deactivated. If used with an inductive load, e.g. a relay, a diode must be connected in parallel with the load, for protection against voltage transients.	0 to max 40 V DC, open drain, 100 mA

### Audio Connector

3.5 mm audio connectors (stereo)



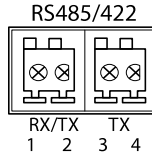
	1 Tip	2 Ring	3 Sleeve
Audio Input	Microphone/Line in		Ground
Audio Output	Line out (mono)		Ground



## RS485/422 Connector

Two 2-pin terminal blocks for RS485/RS422 serial interface. The serial port can be configured to support:

- Two-wire RS485 half duplex
- Four-wire RS485 full duplex
- Two-wire RS422 simplex
- Four-wire RS422 full duplex point to point communication



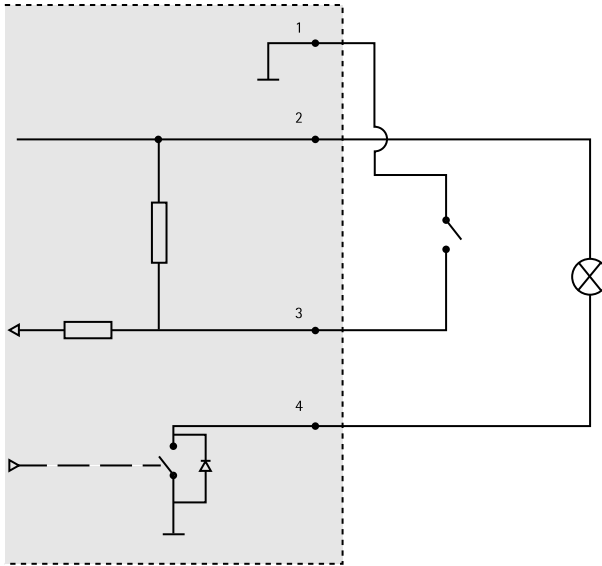
Function	Pin	Notes
RS485B alt RS485/422 RX(B)	1	RX pair for all modes (combined RX/TX for 2-wire RS485)
RS485A alt RS485/422 RX(A)	2	
RS485/RS422 TX(B)	3	TX pair for RS422 and 4-wire RS485
RS485/RS422 TX(A)	4	

### Important

The recommended maximum cable length is 30 m (98.4 ft).

## Connection Diagrams

### I/O Connector



- 1 0 V DC (-)
- 2 DC output 3.3 V, max 50 mA
- 3 Digital input 0 to max 40 V DC
- 4 Digital output 0 to max 40 V DC, open drain, 100 mA

## Install the Hardware

### Install the Wall Bracket

#### **NOTICE**

- The weight of the camera is 3000 g (6.6 lb). Check that the material is strong enough to support this weight.
- Always use a shielded network cable (STP) intended for outdoor use between the Axis product and the end point and ensure that the end point is properly grounded. Installations of Axis products using a shielded network cable (STP) and a properly grounded end point have been tested to comply with industry immunity standard levels such as surge protection. Any other installation method will void the warranty and leave the unit at a risk.

1. Use the supplied drill template to prepare a wall or pole for installation of the wall bracket.
2. Route the network cable through the wall bracket, and through the bracket adapter. Leave approximately 30 cm (11.8 in) of cable for connecting to the camera.
3. Install the wall bracket on a wall, ceiling, or pole using screws and plugs appropriate for the material (e.g. wood, metal, sheet rock, stone).

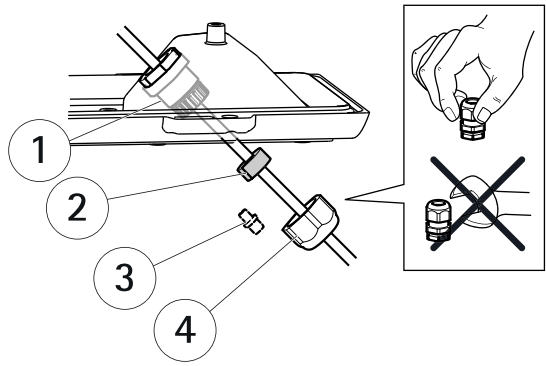
### Route the Network Cable Through the Cable Hole

**NOTICE**

Using any other than the provided cable gland may cause water to seep in and damage the product. Cables must have a diameter of 4.0–5.5 mm.

**Note**

Check against the hardware overview image (see *page 10*) while following the steps below.



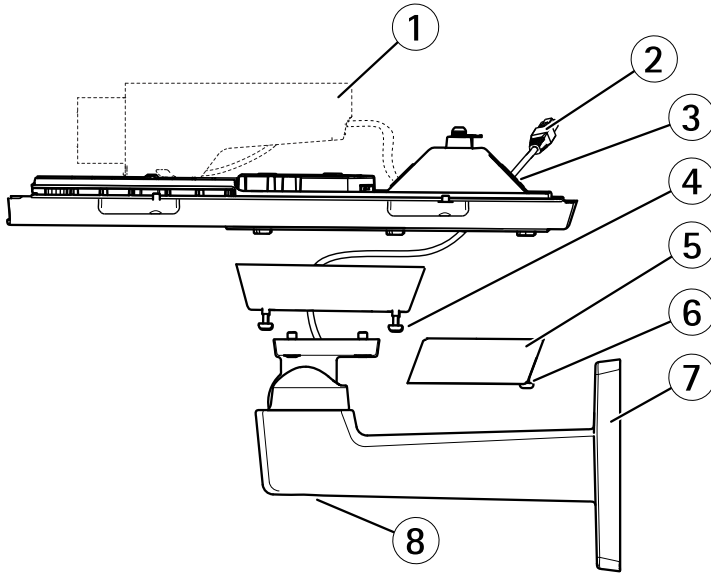
- 1 Cable gland
- 2 Gasket
- 3 Plug (discard)
- 4 Cap

1. Loosen the cable cover screws; detach the cable cover from the bottom cover.
2. Remove the cap, the plug and the gasket from the cable gland.
3. Route the network cable through the cap.
4. Slide the network cable through the slit on the gasket to attach the gasket to the network cable. See *Connectors on page 16* for information on network cable requirements.
5. Route the network cable through the cable gland.
6. Press the gasket into the cable gland and screw the cap on firmly.

## Install the Camera on the Bracket

**Note**

To locate the different components see illustrations under *Hardware Overview on page 10*.

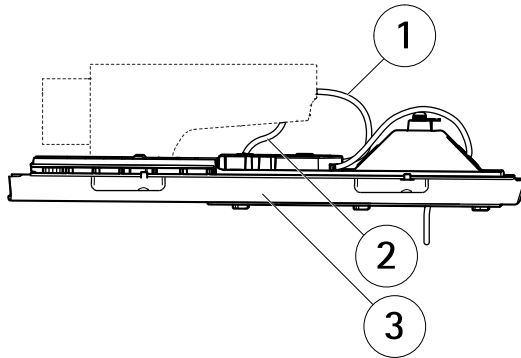


- 1 Axis network camera
- 2 Network cable (route through wall bracket)
- 3 Cable holes
- 4 Bracket screw (4x)
- 5 Cable cover
- 6 Cable cover screw (2x)
- 7 Wall bracket
- 8 Bracket adjustment screw

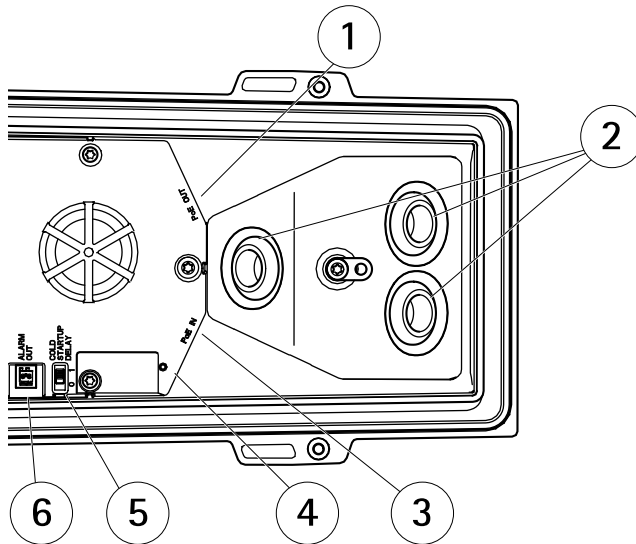
1. Install the camera with the bottom cover on the bracket and tighten the bracket screws.
2. Remove the gasket from one of the holes in the bottom cover.
3. Route the network cable through the hole and plug the cable gasket to the hole.
4. Connect the cables, see *Connect the Cables*.
5. Take the top cover and attach the safety wire to the tab on the bottom cover.
6. Loosen the bracket adjustment screw to point the camera in the right direction. See *page 22* for information on how to view the video stream. Adjust the focus, see *page 23*.

7. Install the top cover. Make sure to tighten diagonally opposite bottom cover screws a few turns at a time until all are tight. This will help ensure that the bottom cover gasket is compressed evenly. Do not tighten the screws completely the first time.
8. Install the cable cover and tighten the cable cover screws.
9. Loosen the sunshield adjustment screws and adjust the sunshield to the front position.

## Connect the Cables



- 1 *Network cables*
- 2 *I/O cable*
- 3 *Bottom cover*



- 1 Network connector (PoE OUT, connected at delivery)
- 2 Cable holes
- 3 Network connector (PoE IN)
- 4 LED indicator
- 5 Arctic Temperature Control switch
- 6 Alarm output (connected at delivery)

1. Optionally insert an SD memory card (not included) into the SD card slot. A standard or high capacity SD card is required to store images locally in the camera.
2. Optionally connect external input/output devices. See *Connectors* on page 16 for information on the connector pins. See *Route the Network Cable Through the Cable Hole* on page 19 for information on preparing the network cable. Route the cables through the cable holes into the bottom cover and to the camera.
3. Connect the camera to the network using a shielded network cable and using the network connector (PoE IN) on the bottom cover. The network cable and the I/O cable between the bottom cover and the camera, are already connected at delivery.
4. Check that the indicator LEDs indicate the correct conditions. See *LED Indicators* on page 12 for further details.

## Access the Product

AXIS IP Utility and AXIS Camera Management are recommended methods for finding Axis products on the network and assigning them IP addresses in Windows®. Both applications are free and can be downloaded from [www.axis.com/techsup](http://www.axis.com/techsup)

The product can be used with most operating systems and browsers. The recommended browsers are

- Internet Explorer® with Windows®
- Safari® with OS X®
- Chrome™ or Firefox® with other operating systems.

For more information about using the product, see the User Manual available at [www.axis.com](http://www.axis.com)

## Adjust Focus

To adjust the zoom and focus follow these instructions:

### Note

- Set the focus as precise as possible with the focus puller or Focus Assistant before starting automatic fine tuning. Using the focus puller normally gives the best result.
- The iris should always be opened to its maximum while focusing. This gives the smallest depth of field and thus the best conditions for correct focusing.

1. Open the product's home page and go to **Setup > Basic Setup > Focus**.
2. Under the **Basic** tab, click **Open iris**. If the button is inactive the iris is already open.
3. If focus has been set before, click **Reset** to reset the back focus.
4. Loosen the zoom and focus pullers (see *Hardware Overview on page 10*) on the lens by turning them counter-clockwise. Move the pullers to set zoom and focus and check the quality of the image in the image window.  
If the camera is mounted so that one cannot look at the image and move the pullers at the same time, use the Focus Assistant instead. See .
5. Loosen the zoom puller and the lock screw for the focus ring (see *Hardware Overview on page 10*) on the lens by turning them counter-clockwise. Move the zoom puller and the focus ring to set zoom and focus and check the quality of the image in the image window.  
If the camera is mounted so that you cannot look at the image and move the zoom puller and the focus ring at the same time, use the Focus Assistant instead. See .
6. Re-tighten the zoom and focus pullers.
7. On the Focus page, click **Fine-tune focus automatically** and wait until automatic fine tuning is completed.
8. Click **Enable iris**. If the button is inactive the iris is already enabled.
9. If needed, make further adjustments under the **Advanced** tab. See the online help for more information.

## Focus Assistant

To focus using the Focus Assistant, follow the instructions in steps 1–3 on *page 23* before you start with the steps below.

### Note

- The view in front of the camera should not be changed during focus adjustment (steps 5 and 6). If the camera is moved, or if a finger or other object is placed in front of the lens, steps 3–7 below will have to be repeated.
  - If movements in front of the camera cannot be avoided, the Focus Assistant should not be used.
  - If the control button is not released within two seconds, AXIS Dynamic DNS Service is enabled instead of the Focus Assistant.
  - If the camera is mounted so that the control button cannot be accessed, you can still use the Focus Assistant. Follow the instructions but mount the camera after step 4 (pressing the control button) instead and skip step 7.
1. Mount or place the camera so that it cannot be moved.
  2. Loosen the zoom puller by turning it anti-clockwise. Move the puller to set the zoom level. Retighten the zoom puller.
  3. Set the camera to its extreme distant-focus position by loosening the focus puller and turning the focus ring fully clockwise.
  4. Press and quickly release the control button. When the status indicator flashes green, the Focus Assistant is enabled. If the status indicator flashes either red or amber before you are able to adjust the lens, skip to step 7 to exit the Focus Assistant and repeat steps 3–7.
  5. Gently turn the focus ring anti-clockwise until it stops.
  6. Finally, turn the focus ring slowly clockwise until the status indicator flashes green or amber (not red).
  7. To exit the Focus Assistant, press the control button. The Focus Assistant is switched off automatically after 15 minutes.
  8. Retighten the focus puller.
  9. Open the Live View page in the web browser and check the quality of the image.
  10. Continue with steps 6–8 on *page 23*.

## Reset to Factory Default Settings

### Important

Reset to factory default should be used with caution. A reset to factory default will reset all settings, including the IP address, to the factory default values.

### Note

The installation and management software tools are available from the support pages on [www.axis.com/techsup](http://www.axis.com/techsup)

To reset the product to the factory default settings:



1. Disconnect power from the product.
2. Press and hold the control button and reconnect power. See *Hardware Overview on page 10*.
3. Keep the control button pressed for 15–30 seconds until the status LED indicator flashes amber.
4. Release the control button. The process is complete when the status LED indicator turns green. The product has been reset to the factory default settings. If no DHCP server is available on the network, the default IP address is 192.168.0.90
5. Using the installation and management software tools, assign an IP address, set the password, and access the video stream.
6. Refocus the product.

It is also possible to reset parameters to factory default via the web interface. Go to **Setup > System Options > Maintenance**.

## Further Information

The User Manual is available at [www.axis.com](http://www.axis.com)

Visit [www.axis.com/techsup](http://www.axis.com/techsup) to check if there is updated firmware available for your network product. To see the currently installed firmware version, go to **Setup > About**.

Visit Axis learning center [www.axis.com/academy](http://www.axis.com/academy) for useful trainings, webinars, tutorials and guides.

## Warranty Information

For information about Axis' product warranty and thereto related information, see [www.axis.com/warranty/](http://www.axis.com/warranty/)



## Informations sur la sécurité

Lisez attentivement ce guide d'installation avant d'installer l'appareil. Conservez le guide d'installation pour toute référence ultérieure.

### Niveaux de risques

#### **▲DANGER**

Indique une situation dangereuse qui, si elle n'est pas évitée, entraînera le décès ou des blessures graves.

#### **▲AVERTISSEMENT**

Indique une situation dangereuse qui, si elle n'est pas évitée, pourrait entraîner le décès ou des blessures graves.

#### **▲ATTENTION**

Indique une situation dangereuse qui, si elle n'est pas évitée, pourrait entraîner des blessures légères ou modérées.

#### **AVIS**

Indique une situation qui, si elle n'est pas évitée, pourrait endommager l'appareil.

### Autres niveaux de message

#### Important

Indique les informations importantes, nécessaires pour assurer le bon fonctionnement de l'appareil.

#### Note

Indique les informations utiles qui permettront d'obtenir le fonctionnement optimal de l'appareil.

## Consignes de sécurité

### ▲ AVERTISSEMENT

- Le produit Axis doit être installé par un professionnel habilité.

### AVIS

- Le produit Axis doit être utilisé conformément aux lois et réglementations locales en vigueur.
- Conserver ce produit Axis dans un environnement sec et ventilé.
- Ne pas exposer ce produit Axis aux chocs ou aux fortes pressions.
- Ne pas installer ce produit sur des supports, surfaces ou murs instables.
- Utiliser uniquement des outils recommandés pour l'installation de l'appareil Axis. L'application d'une force excessive sur l'appareil avec des outils puissants pourrait l'endommager.
- Ne pas utiliser de produits chimiques, de substances caustiques ou de nettoyeurs pressurisés.
- Utiliser un chiffon propre imbibé d'eau pure pour le nettoyage.
- Utiliser uniquement des accessoires conformes aux caractéristiques techniques du produit. Ils peuvent être fournis par Axis ou un tiers.
- Utiliser uniquement les pièces de rechange fournies ou recommandées par Axis.
- Ne pas essayer de réparer ce produit par vous-même. Contacter l'assistance technique d'Axis ou votre revendeur Axis pour des problèmes liés à l'entretien.
- L'alimentation doit être branchée sur une prise de courant installée à proximité du produit et doit être facilement accessible.

## Transport

### AVIS

- Lors du transport du produit Axis, utilisez l'emballage d'origine ou un équivalent pour éviter d'endommager le produit.

## Batterie

Le produit Axis utilise une batterie au lithium BR/CR2032 3,0 V comme alimentation de son horloge en temps réel interne (RTC). Dans des conditions normales, cette batterie a une durée de vie minimale de cinq ans.

Si la batterie est faible, le fonctionnement de l'horloge en temps réel peut être affecté et entraîner sa réinitialisation à chaque mise sous tension. Un message enregistré apparaît dans le rapport de serveur du produit lorsque la batterie doit être remplacée. Pour tout complément d'information

concernant le rapport de serveur, reportez-vous aux pages de Configuration du produit ou contactez l'assistance technique d'Axis.

La batterie doit être remplacée uniquement en cas de besoin, et pour ce faire, contactez l'assistance technique d'Axis à l'adresse [www.axis.com/techsup](http://www.axis.com/techsup) et obtenir de l'aide.

### **▲AVERTISSEMENT**

- Risque d'explosion si la batterie est remplacée de façon incorrecte.
- Remplacez-la uniquement par une batterie identique ou une batterie recommandée par Axis.
- Mettez au rebut les batteries usagées conformément aux réglementations locales ou aux instructions du fabricant de la batterie.



## Guide d'installation

Ce guide d'installation explique comment installer la caméra réseau AXIS P1354-E/P1357-E sur votre réseau. Pour toute autre information relative à l'utilisation du produit, consultez le manuel de l'utilisateur disponible sur le site [www.axis.com](http://www.axis.com)

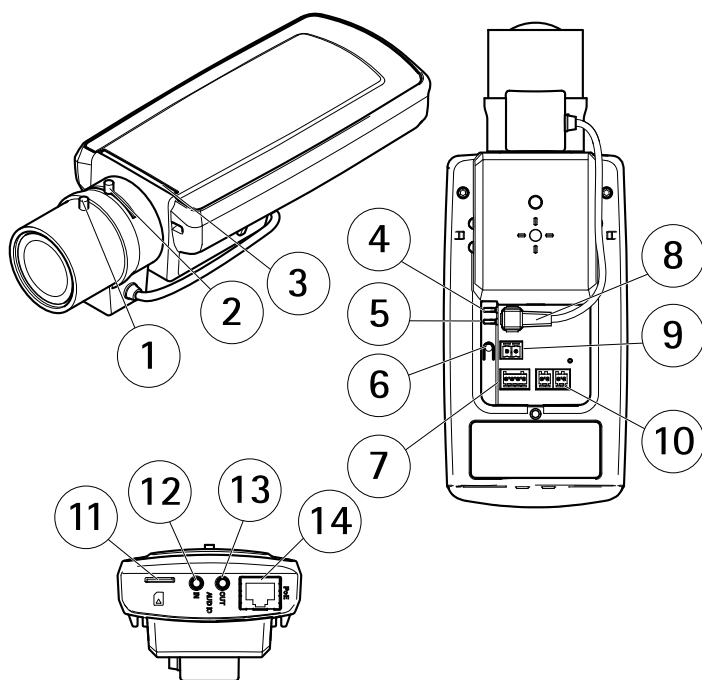
## Procédures d'installation

1. Assurez-vous que les outils et autres matériels nécessaires à l'installation sont inclus dans l'emballage. Cf. *page 31*.
2. Consultez la description du matériel. Cf. *page 32*.
3. Étudiez les caractéristiques. Cf. *page 37*.
4. Installez le matériel. Cf. *page 41*.
5. Utilisez le produit. Cf. *page 45*.
6. Réglez la mise au point. Cf. *page 45*.

## Contenu de l'emballage

- Caméra réseau
  - AXIS P1354-E
  - AXIS P1357-E
- Bloc de connexion pour terminaux
  - Bloc de connexion à 4 broches pour le raccordement d'équipements externes au connecteur pour terminaux E/S
  - 2x connecteurs pour terminaux à deux 2 broches STR 2,5 mm BP AB
- Outils
  - Tournevis Torx T20
  - Embout pour vis T30
  - Clé hexagonale
- Documents imprimés
  - Guide d'installation (ce document)
  - Étiquette supplémentaire de numéro de série (x2)
  - Clé d'authentification AVHS

## Aperçu du matériel



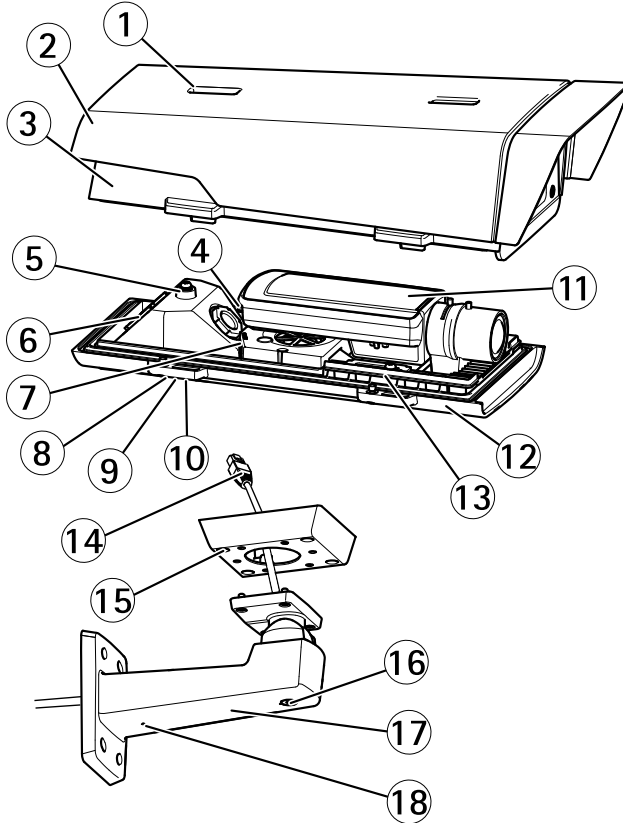
- 1 *Commande de mise au point*
- 2 *Commande de zoom*
- 3 *Voyant*
- 4 *Voyant d'alimentation*
- 5 *Voyant DEL réseau*
- 6 *Bouton de commande*
- 7 *Bloc terminal E/S*
- 8 *Connecteur de l'iris*
- 9 *Connecteur d'alimentation\**
- 10 *RS485/422*
- 11 *Emplacement carte SD (carte microSD)*
- 12 *Entrée audio*
- 13 *Sortie audio*
- 14 *Connecteur réseau (PoE)*

\* Non utilisé avec les versions E.



**ATTENTION**

Risque de blessure. Les régulateurs de chaleur du boîtier peuvent être chauds.



- 1 Vis de réglage du pare-soleil
- 2 Pare-soleil
- 3 Couvercle supérieur
- 4 Connecteur réseau (PoE IN)
- 5 Patte de fil de sécurité
- 6 Trou de câble
- 7 Connecteur réseau (PoE OUT, caméra livrée connectée)
- 8 Vis du couvercle inférieur (x4)
- 9 Couvercle de câble
- 10 Vis du couvercle de câble (x2)
- 11 Caméra réseau

- 12 *Couvercle inférieur*
- 13 *Régulateurs de chaleur*
- 14 *Adaptateur de support*
- 15 *Vis du support (x4)*
- 16 *Vis de réglage du support*
- 17 *Support mural*
- 18 *Autre trou de câble*

### Voyants

#### Note

- Le voyant d'état peut être éteint pendant le fonctionnement normal. Pour ce faire, rendez-vous dans **Setup > System Options > Ports & Devices > LED (Configuration > Options système > Ports et dispositifs > DEL)**. Consultez l'aide en ligne pour plus d'informations.
- Le voyant d'état peut clignoter lorsqu'un événement est actif.
- Le voyant d'état peut clignoter pendant l'identification de l'appareil. Rendez-vous dans **Setup > System Options > Maintenance (Configuration > Options du système > Maintenance)**.

Voyant d'état	Indication
Vert	Vert fixe en cas de fonctionnement normal.
Orange	Fixe pendant le démarrage et lors de la restauration des paramètres.

Voyant DEL réseau	Indication
Vert	Fixe en cas de connexion à un réseau de 100 Mbits/s. Clignote en cas d'activité réseau.
Orange	Fixe en cas de connexion à un réseau de 10 Mbits/s. Clignote en cas d'activité réseau.
Éteint	Pas de connexion réseau.

Voyant d'alimentation	Indication
Vert	Fonctionnement normal.
Orange	Le voyant vert/orange clignote pendant la mise à niveau du microprogramme.

## Voyants

### Note

Le voyant du boîtier figurant dans le tableau ci-dessous est situé dans le boîtier.

Voyant boîtier (ventilateur et régulateur de chaleur)	Indication
Vert	Fonctionnement normal.
Clignote en vert	Clignote une seule fois : erreur au niveau du régulateur de chauffage. Clignote deux fois : erreur au niveau du ventilateur. Clignote trois fois : erreur générale. Les événements d'alarmes seront déclenchés par le biais du port d'entrée de la caméra. Contactez votre revendeur Axis pour obtenir de plus amples informations sur les pièces de rechange et les services de dépannage.

## Comportement du voyant d'état pour l'assistant de mise au point

Couleur	Indication
Vert	L'assistant de mise au point est activé L'objectif est réglé de manière optimale.
Orange	La caméra a été déplacée ou un objet a été placé devant l'objectif. Quittez l'assistant de mise au point et recommencez. L'objectif est réglé de manière moins optimale.
Rouge	La caméra a été déplacée ou un objet a été placé devant l'objectif. Quittez l'assistant de mise au point et recommencez. L'objectif est mal réglé.

## Connecteurs et boutons

Pour les caractéristiques et les conditions d'utilisation, consultez *page 37*.

### Connecteur réseau

Connecteur Ethernet RJ45 avec l'alimentation par Ethernet (PoE).

### AVIS

Le produit doit être connecté à l'aide d'un câble réseau blindé (STP). Tous les câbles reliant le produit au commutateur réseau doivent être destinés à leur usage spécifique. Assurez-vous que les périphériques réseau sont installés conformément aux instructions du fabricant. Pour plus d'informations sur les exigences réglementaires, consultez *Electromagnetic Compatibility (EMC) on page 2*.

### Connecteur d'E/S

Utilisez-le avec des périphériques externes associés aux applications telles que les alarmes de détérioration, la détection de mouvement, le déclenchement d'événements, l'enregistrement à intervalles et les notifications d'alarme. En plus du point de référence 0 V CC et de l'alimentation (sortie CC), le connecteur d'E/S fournit une interface aux éléments suivants :

- **Sortie numérique** – Permet de connecter des dispositifs externes, comme des relais ou des voyants. Les appareils connectés peuvent être activés par l'interface de programmation VAPIX®, des boutons de sortie sur la page Live View (Vidéo en direct) ou par une règle d'action. La sortie est considérée comme étant active (comme indiqué dans **System Options > Ports & Devices (Options du système > Ports et dispositifs)**) si le dispositif d'alarme est activé.
- **Entrée numérique** – Entrée d'alarme utilisée pour connecter des dispositifs pouvant passer d'un circuit ouvert à un circuit fermé, par exemple : détecteurs infrarouge passifs, contacts de porte/fenêtre, détecteurs de bris de verre, etc. À la réception d'un signal, l'état change et l'entrée s'active (sous **System Options > Ports & Devices (Options du système > Ports et dispositifs)**).

### Note

Le connecteur d'E/S est relié au boîtier (ventilateur/régulateur de chaleur) à la livraison. En cas de défaillance du ventilateur ou du régulateur de chaleur, un signal d'entrée est déclenché au niveau de la caméra. Définissez une règle d'action dans la caméra pour configurer l'action que doit déclencher le signal. Pour plus d'informations sur les événements et les règles d'action, consultez le manuel disponible à l'adresse suivante : [www.axis.com](http://www.axis.com)

### Connecteur audio

Le produit Axis dispose des connecteurs audio suivants :

- **Entrée audio (rose)** – entrée de 3,5 mm pour microphone mono ou signal d'entrée mono.
- **Sortie audio (verte)** : sortie de 3,5 mm (sortie de ligne) qui peut être connectée à un système de sonorisation (PA) ou à un haut-parleur actif avec amplificateur intégré. Un connecteur stéréo doit être utilisé pour la sortie audio.

Pour l'entrée audio, le canal gauche d'un signal stéréo est utilisé.

## Connecteur RS485/RS422

Deux blocs terminaux à 2 broches pour l'interface série RS485/RS422 utilisée pour commander les équipements auxiliaires, tels que les dispositifs panoramique/inclinaison.

## Emplacement pour carte SD

### AVIS

- La carte SD risque d'être endommagée. Ne pas utiliser d'outils tranchants et ne pas forcer lors de l'insertion ou du retrait de la carte SD.
- Risque de perte de données. Pour éviter la corruption des données, la carte SD doit être démontée avant son retrait. Pour ce faire, rendez-vous dans **Setup > System Options > Storage > SD Card (Configuration > Options du système > Stockage > Carte SD)** et cliquez sur **Unmount (Démonter)**.

Cet appareil est compatible avec des cartes microSD/microSDHC/microSDXC (cartes non fournies).

Pour obtenir des conseils sur la carte SD, rendez-vous sur [www.axis.com](http://www.axis.com)

## Bouton de commande

Pour connaître l'emplacement du bouton de commande, consultez *Aperçu du matériel* page 32.

Le bouton de commande permet de réaliser les opérations suivantes :

- Activation de l'assistant de mise au point. Appuyez et relâchez aussitôt le bouton de commande
- Réinitialisation du produit aux paramètres d'usine par défaut. Cf. *page 47*.
- Connexion au service du Système d'hébergement vidéo AXIS ou au service AXIS Internet Dynamic DNS. Pour plus d'informations sur ces services, reportez-vous au Manuel de l'utilisateur.

## Caractéristiques techniques

### Conditions d'utilisation

Produits	Température	Humidité
AXIS P1353-E AXIS P1354-E AXIS P1355-E AXIS P1357-E	-30 °C à 50 °C (-22 °F to 122 °F) avec alimentation par Ethernet (PoE), jusqu'à -40 °C (-40 °F) avec alimentation haute puissance par Ethernet (High PoE)	10 à 100 % d'humidité relative (condensation)

## AXIS P13-E Series

### Commutateur de report de démarrage à froid

Le boîtier utilisé pour ce produit Axis est doté d'un contrôle de température arctique, qui est activé en positionnant le commutateur de report de démarrage à froid sur I (ON). Lorsqu'elle est activée, cette fonction contrôle le moment du redémarrage de la caméra après une coupure ou lors de la baisse des températures en dessous de 0 °C (32 °F) ; la caméra est d'abord chauffée à environ 0 °C (32 °F) avant de démarrer. Cela évite d'endommager les modèles de caméra comportant des pièces amovibles.

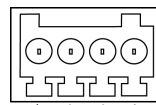
### Consommation électrique

Produits	PoE	High PoE
AXIS P1354-E AXIS P1357-E	max. 12,95 W IEEE 802.3af/802.3at Type 1 Classe 3	max. 25,5 W

### Connecteurs

#### Connecteur d'E/S

Bloc terminal à 4 broches

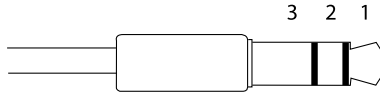


Pour un exemple de schéma, consultez *Schémas de connexion* page 40.

Fonction	Broche	Remarques	Caractéristiques
0 V CC (-)	1		
Sortie CC	2	Peut servir à alimenter le matériel auxiliaire. Remarque : cette broche ne peut être utilisée que comme sortie d'alimentation.	3,3 V CC Charge max. = 50 mA
Entrée numérique	3	Connectez-la à la broche 1 pour l'activer ou laissez-la flotter (déconnectée) pour la désactiver.	0 à 40 V CC
Sortie numérique	4	Connectée à la broche 1 lorsqu'elle est activée, flotte (déconnectée) lorsqu'elle est désactivée. Si vous l'utilisez avec une charge inductive, par exemple un relais, une diode doit être connectée en parallèle avec la charge, en guise de protection contre les tensions transitoires.	0 à 40 V CC max., drain ouvert, 100 mA

## Connecteur audio

Connecteurs audio 3,5 mm (stéréo)

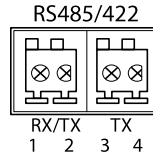


	1 Pointe	2 Anneau	3 Manchon
Entrée audio	Entrée micro/ligne		Masse
Sortie audio	Sortie ligne (mono)		Masse

## Connecteur RS485/422

Blocs terminaux à 2 broches pour interface série RS485/RS422. Le port série peut être configuré pour la prise en charge de :

- RS485 semi-duplex sur deux fils
- RS485 duplex intégral sur quatre fils
- RS422 simplex sur deux fils
- RS422 duplex intégral sur quatre fils pour communication point à point



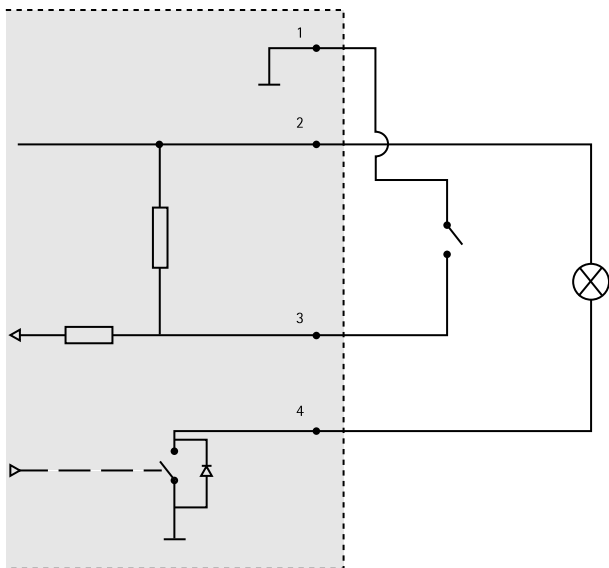
Fonction	Broche	Notes
RS485B alt RS485/422 RX(B)	1	Paire RX pour tous les modes (RX/TX combiné pour RS485 à 2 fils)
RS485A alt RS485/422 RX(A)	2	
RS485/RS422 TX(B)	3	Paire TX pour RS422 et RS485 à 4 fils
RS485/RS422 TX(A)	4	

### Important

La longueur maximale de câble recommandée est de 30 mètres (98,4 pieds).

## Schémas de connexion

### Connecteur d'E/S



- 1 0 V CC (-)
- 2 Sortie CC 3,3 V, maxi. 50 mA
- 3 Entrée numérique 0 à max. 40 V CC
- 4 Entrée numérique 0 à max. 40 V CC, drain ouvert, max. 100 mA



## Installation du matériel

### Installation du support mural

#### AVIS

- La caméra pèse 3 000 g (6,6 lb). Assurez-vous que le matériau est suffisamment solide pour supporter ce poids.
- Utilisez toujours un câble réseau à paires torsadées blindé prévu pour une utilisation à l'extérieur afin de relier le produit Axis et le point terminal. Assurez-vous également que le point terminal est correctement mis à la terre. Les installations des caméras Axis à l'aide d'un câble réseau à paires torsadées blindé et du point terminal correctement mis à terre ont été soumises à des tests rigoureux, conformément aux niveaux de la norme relative à l'immunité de l'industrie, notamment la protection contre les surtensions. Toute autre méthode d'installation annule la garantie et expose le produit à des risques.

1. Préparez le mur ou le poteau de montage sur lequel le support mural doit être installé à l'aide du gabarit de perçage fourni.
2. Acheminez le câble réseau en le faisant passer au travers du support mural jusqu'à l'adaptateur du support. Laissez environ 30 cm (11,8") de câble pour la connexion à la caméra.
3. Fixez le support mural au mur, au plafond ou sur le poteau à l'aide de vis et de chevilles adaptées au matériau (bois, métal, carton-plâtre, pierre, etc.).

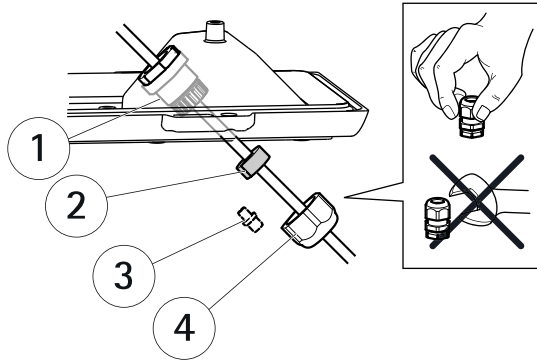
### Acheminez le câble réseau en le faisant passer à travers le trou pour câble

#### AVIS

L'utilisation d'un presse-étoupe autre que celui fourni risque d'entraîner une infiltration d'eau et d'endommager le produit. Les câbles doivent présenter un diamètre de 4,0 mm à 5,5 mm.

#### Note

Vérifiez le contenu de l'emballage par rapport à l'image de description du matériel (cf. page 32) tout en suivant les étapes ci-dessous.



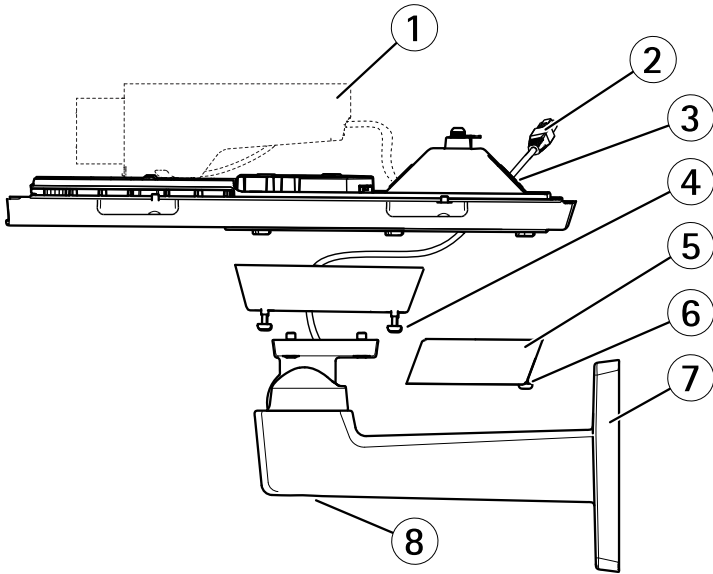
- 1 Presse-étoupe
- 2 Joint
- 3 Bouchon (rebut)
- 4 Capuchon

1. Desserrez les vis du couvercle de câble pour pouvoir le détacher du couvercle inférieur.
2. Retirez le capuchon, le bouchon et le joint du presse-étoupe.
3. Acheminez le câble réseau dans le capuchon.
4. Insérez le câble réseau dans la fente du joint afin de fixer le joint au câble réseau. Reportez-vous à *Connecteurs page 38* pour les informations sur les exigences en matière de câble réseau.
5. Acheminez le câble réseau à travers le presse-étoupe.
6. Enfoncez le joint dans le presse-étoupe et vissez le capuchon fermement.

### Installation de la caméra sur le support

#### Note

Pour repérer les différents composants, reportez-vous aux illustrations dans *Aperçu du matériel page 32*.



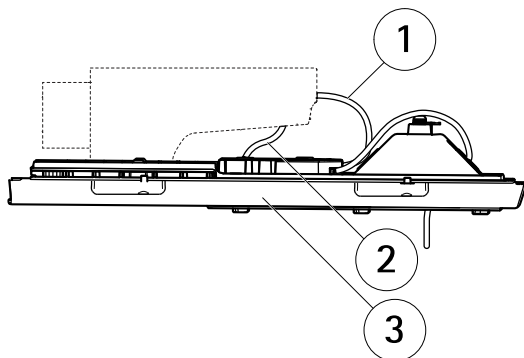
- 1 *Caméra réseau Axis*
- 2 *Câble réseau (acheminé à travers le support mural)*
- 3 *Trous pour câbles*
- 4 *Vis du support (4x)*
- 5 *Couvercle de câble*
- 6 *Vis du couvercle de câble (x2)*
- 7 *Support mural*
- 8 *Vis de réglage du support*

1. Installez la caméra avec le couvercle inférieur sur le support et serrez les vis du support.
2. Retirez le joint de l'un des trous du couvercle inférieur.
3. Acheminez le câble réseau dans le trou et remettez le joint du câble sur le trou.
4. Pour brancher les câbles, consultez *Branchement des câbles*.
5. Ouvrez le couvercle supérieur et attachez le fil de sécurité à la patte sur le couvercle inférieur.
6. Desserrez la vis de réglage du support afin de diriger la caméra dans la direction souhaitée. Reportez-vous à *page 45* pour savoir comment visualiser le flux de données vidéo.  
Réglez la mise au point, reportez-vous à *page 45*.
7. Installez le couvercle supérieur. Assurez-vous de serrer les vis opposées en diagonale du couvercle inférieur de quelques tours jusqu'à ce qu'elles soient bien serrées. Cela permettra de garantir que le joint du couvercle inférieur est compressé de façon régulière. Ne serrez pas complètement les vis la première fois.

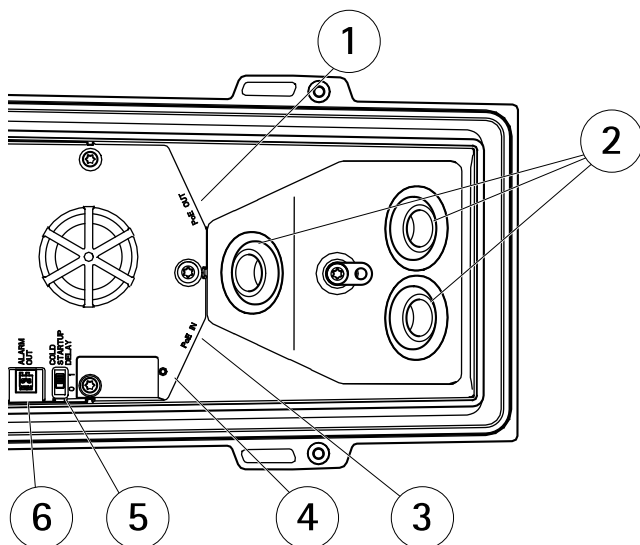
## AXIS P13-E Series

8. Installez le couvercle du câble et serrez les vis.
9. Desserrez les vis de réglage du pare-soleil pour pouvoir l'ajuster et l'orienter vers l'avant.

### Branchement des câbles



- 1 Câbles réseau
- 2 Câble d'E/S
- 3 Couvercle inférieur



- 1 Connecteur réseau (PoE OUT, connecté à la livraison)
- 2 Trous pour câbles

- 3 *Connecteur réseau (PoE IN)*
- 4 *Voyant*
- 5 *Commutateur de contrôle de température arctique*
- 6 *Sortie alarme (connectée à la livraison)*

1. Vous pouvez également insérer une carte mémoire SD (non fournie) dans la fente pour carte SD. Une carte SD standard ou haute capacité est requise pour stocker des images en local sur la caméra.
2. Si vous le souhaitez, connectez des périphériques d'entrée/de sortie externes. Reportez-vous à la section *Connecteurs page 38* pour plus d'informations sur les broches du connecteur. Reportez-vous à *Acheminez le câble réseau en le faisant passer à travers le trou pour câble page 41* pour les informations sur la préparation du câble réseau. Acheminez les câbles à travers les orifices de câbles situés dans le couvercle inférieur et la caméra.
3. Branchez la caméra au réseau à l'aide d'un câble réseau blindé et du connecteur réseau (PoE IN) dans le couvercle inférieur. Le câble réseau et le câble d'E/S entre le couvercle inférieur et la caméra sont livrés connectés.
4. Vérifiez que les voyants DEL indiquent le bon état de fonctionnement. Cf. *Voyants page 34* pour plus d'informations.

## Utilisez le produit

Si vous souhaitez rechercher des produits Axis sur le réseau ou leur affecter des adresses IP sous Windows®, nous recommandons l'utilisation des applications AXIS IP Utility et AXIS Camera Management. Ces deux applications sont gratuites et peuvent être téléchargées depuis [www.axis.com/techsup](http://www.axis.com/techsup)

Le produit peut être utilisé avec la plupart des systèmes d'exploitation et des navigateurs. Les navigateurs recommandés sont

- Internet Explorer® avec Windows®,
- Safari® avec OS X®
- Chrome™ ou Firefox® avec les autres systèmes d'exploitation.

Pour plus d'informations concernant l'utilisation du produit, consultez le manuel de l'utilisateur disponible sur le site [www.axis.com](http://www.axis.com)

## Réglage de la mise au point

Pour régler le zoom et la mise au point, procédez comme suit :

### Note

- Effectuez la mise au point de façon aussi précise que possible à l'aide de la commande de mise au point ou de l'assistant avant de démarrer l'ajustement automatique. L'utilisation de la commande de mise au point donne généralement le meilleur résultat.
- Le diaphragme doit toujours être ouvert au maximum lors de la mise au point. Cela donne la plus petite profondeur de champ, ce qui offre les meilleures conditions pour une mise au point correcte.

1. Ouvrez la page d'accueil du produit et sélectionnez **Setup (Configuration) > Basic Setup (Configuration de base) > Focus (Mise au point)**.
2. Sous l'onglet **Basic (Base)**, cliquez sur **Open iris (Ouvrir l'iris)**. Si le bouton est inactif, l'iris est déjà ouvert.
3. Si la mise au point a déjà été effectuée, cliquez sur **Reset (Réinitialiser)** pour réinitialiser la mise au point arrière.

Si la caméra est montée de telle sorte qu'il est impossible de regarder l'image et de déplacer les commandes en même temps, utilisez plutôt l'assistant de mise au point. Cf. .
4. Desserrez les commandes de zoom et de mise au point de l'objectif (voir *Aperçu du matériel page 32*) en les tournant dans le sens inverse des aiguilles d'une montre. Déplacez les commandes pour régler le zoom et la mise au point et vérifiez la qualité de l'image dans la fenêtre correspondante.

Si la caméra est montée de telle sorte qu'il est impossible de regarder l'image et de déplacer la commande de zoom et la bague de mise au point en même temps, utilisez plutôt l'assistant de mise au point. Cf. .
5. Desserrez la commandes de zoom et la vis de verrouillage de la bague de mise au point de l'objectif (voir *Aperçu du matériel page 32*) en les tournant dans le sens inverse des aiguilles d'une montre. Déplacez la commande de zoom et la vis de verrouillage pour régler le zoom et la mise au point et vérifiez la qualité de l'image dans la fenêtre correspondante.

Si la caméra est montée de telle sorte qu'il est impossible de regarder l'image et de déplacer la commande de zoom et la bague de mise au point en même temps, utilisez plutôt l'assistant de mise au point. Cf. .
6. Resserrez les commandes de zoom et de mise au point.
7. À la page **Focus (Mise au point)**, cliquez sur **Fine-tune focus automatically (Ajuster la mise au point automatiquement)** et attendez que l'ajustement automatique soit terminé.
8. Cliquez sur **Enable iris (Activer l'iris)**. Si le bouton est inactif, l'iris est déjà activé.
9. Si nécessaire, effectuez d'autres réglages sous l'onglet **Advanced (Avancé)**. Consultez l'aide en ligne pour plus d'informations.

## Assistant de mise au point

Pour effectuer la mise au point en utilisant l'assistant, suivez les instructions décrites aux étapes 1 à 3 à la *page 45* avant de passer aux étapes ci-dessous.

Note

- La vue en face de la caméra ne doit pas être modifiée lors du réglage de la mise au point (étapes 5 et 6). Si la caméra est déplacée ou si un doigt ou un autre objet est placé devant l'objectif, vous devrez recommencer les étapes 3 à 7 ci-dessous.
  - Si les mouvements devant la caméra ne peuvent pas être évités, l'assistant de mise au point ne doit pas être utilisé.
  - Si vous ne relâchez pas le bouton de commande dans les deux secondes, le service AXIS Dynamic DNS sera activé au lieu de l'assistant de mise au point.
  - Si la caméra est montée de sorte qu'il soit impossible d'accéder au bouton de commande vous pouvez tout de même utiliser l'assistant. Procédez comme indiqué, mais installez la caméra après l'étape 4 (en appuyant sur le bouton de commande) et passez à l'étape 7.
1. Installez la caméra ou placez-la de façon à ce qu'elle ne puisse pas bouger.
  2. Desserrez la commande de zoom en la tournant dans le sens inverse des aiguilles d'une montre. Déplacez la commande pour régler le niveau du zoom. Resserrez la commande de zoom.
  3. Réglez la caméra sur sa position de mise au point à distance extrême en desserrant la commande de mise au point et en tournant la bague de mise au point au maximum dans le sens des aiguilles d'une montre.
  4. Appuyez sur le bouton de commande et relâchez-le très vite. Lorsque le voyant d'état clignote en vert, l'assistant de mise au point est activé. Si le voyant d'état clignote en rouge ou en orange avant que vous n'ayez pu régler l'objectif, passez à l'étape 7 pour quitter l'assistant et recommencez les étapes 3 à 7.
  5. Tournez délicatement la bague de mise au point dans le sens inverse des aiguilles d'une montre jusqu'à ce qu'elle s'arrête.
  6. Pour finir, tournez lentement la bague de mise au point dans le sens inverse des aiguilles d'une montre jusqu'à ce que l'indicateur d'état clignote en vert ou en orange (et non en rouge).
  7. Pour quitter l'assistant de mise au point, appuyez à nouveau sur le bouton de commande. L'assistant de mise au point se désactive automatiquement après 15 minutes.
  8. Resserrez la commande de mise au point.
  9. Ouvrez la page Live View (Vue en direct) du navigateur web et contrôlez la qualité de l'image.
  10. Continuez avec les étapes 6 à 8 de *page 45*.

## Réinitialisation aux paramètres d'usine par défaut

Important

La réinitialisation aux paramètres par défaut doit être utilisée avec prudence. Cette opération reconfigure tous les paramètres, y compris l'adresse IP, aux valeurs d'usine par défaut.

### Note

Les logiciels d'installation et de gestion sont disponibles sur les pages d'assistance du site [www.axis.com/techsup](http://www.axis.com/techsup)

Pour réinitialiser l'appareil aux paramètres d'usine par défaut :

1. Déconnectez l'alimentation de l'appareil.
2. Maintenez le bouton de commande enfoncé et remettez l'appareil sous tension. Consultez *Aperçu du matériel* page 32.
3. Maintenez le bouton de commande enfoncé pendant 15 à 30 secondes, jusqu'à ce que le voyant d'état passe à l'orange et clignote.
4. Relâchez le bouton de commande. Le processus est terminé lorsque le voyant d'état passe au vert. Les paramètres d'usine par défaut de l'appareil ont été rétablis. En l'absence d'un serveur DHCP sur le réseau, l'adresse IP par défaut est 192.168.0.90.
5. Utilisez les outils d'installation et de gestion pour attribuer une adresse IP, configurer le mot de passe et accéder au flux de données vidéo.
6. Nouvelle mise au point du produit.

Il est également possible de rétablir les paramètres d'usine à partir de l'interface Web. Accédez à **Setup > System Options > Maintenance (Configuration > Options du système > Maintenance)**.

## Pour obtenir plus de renseignements

Le Manuel de l'utilisateur est disponible à l'adresse suivante : [www.axis.com](http://www.axis.com)

Consultez le site [www.axis.com/techsup](http://www.axis.com/techsup) pour vérifier si une mise à jour du microprogramme est disponible pour votre appareil réseau. Pour connaître la version du microprogramme actuellement installée, reportez-vous à la page **Setup > About (Configuration > À propos de)**.

Visitez le centre de formation en ligne Axis sur le site [www.axis.com/academy](http://www.axis.com/academy) pour en savoir plus sur les formations, les webinaires, les tutoriels et les guides.

## Informations sur la garantie

Pour obtenir de plus amples informations sur la garantie du produit AXIS et des renseignements connexes, allez sur le site [www.axis.com/warranty/](http://www.axis.com/warranty/)



## Sicherheitsinformation

Lesen Sie das Installationshandbuch sorgfältig durch bevor sie das Produkt installieren. Bewahren Sie das Installationshandbuch für zukünftige Zwecke auf.

### Gefährdungsstufen

#### **▲GEFAHR**

Weist auf eine gefährliche Situation hin, die, falls sie nicht verhindert, zu Tod oder schweren Verletzungen führt.

#### **▲WARNUNG**

Weist auf eine gefährliche Situation hin, welche, falls nicht verhindert, zu Tod oder schweren Verletzungen führen kann.

#### **▲VORSICHT**

Weist auf eine gefährliche Situation hin, welche, falls nicht verhindert, zu geringfügiger oder mäßiger Verletzung führen kann.

#### **HINWEIS**

Weist auf eine gefährliche Situation hin, welche, falls nicht verhindert, zu Sachschäden führen kann.

### Weitere Nachrichtenstufen

#### **Wichtig**

Weist auf wichtige Informationen hin, die den richtigen Betrieb des Produkts gewährleisten.

#### **Beachten**

Weist auf nützliche Informationen hin, die die optimale Verwendung des Produkts unterstützen.

## Sicherheitsanweisungen

### **▲WARNUNG**

- Das Axis Produkt muss von fachmännischem Personal installiert werden.

### **HINWEIS**

- Die Anwendung des Axis Produkts muss unter Beachtung der örtlich geltenden rechtlichen Bestimmungen erfolgen.
- Lagern Sie das Axis Produkt in einer trockenen und belüfteten Umgebung.
- Achten Sie darauf, dass das Axis Produkt weder Stößen noch starkem Druck ausgesetzt ist.
- Installieren Sie das Produkt nicht an instabilen Halterungen, Oberflächen oder Wänden.
- Verwenden Sie bei der Installation des Axis Produkts ausschließlich passende Werkzeuge. Ein zu großer Kraftaufwand mit elektrischen Werkzeugen kann das Produkt beschädigen.
- Verwenden Sie keine chemischen, ätzenden oder aerosolhaltigen Reinigungsmittel.
- Verwenden Sie zum Reinigen ein sauberes, mit lauwarmem Wasser angefeuchtetes Tuch.
- Verwenden Sie nur Zubehör, das den technischen Daten des Produkts entspricht. Dieses ist von Axis oder Drittanbietern erhältlich.
- Verwenden Sie ausschließlich Ersatzteile die von Axis bereitgestellt oder empfohlen werden.
- Versuchen Sie nicht, das Produkt selbstständig zu reparieren. Wenden Sie sich bezüglich Reparatur und Wartung an den Axis Support oder Ihren Axis Händler.
- Die Stromversorgung des Axisprodukts soll mit einer Steckdose in der Nähe verbunden sein und sollte einfach zugänglich sein.

## Transport

### **HINWEIS**

- Bei Bedarf transportieren Sie das Axis Produkt in der Originalverpackung oder einer entsprechenden Verpackung, so dass Schäden vermieden werden.

## Batterie

Das Axis-Produkt ist mit einer 3,0 V-BR/CR2032-Lithium-Batterie ausgestattet, mit der die interne Echtzeituhr (RTC) versorgt wird. Unter normalen Bedingungen hat die Batterie eine Lebensdauer von mindestens fünf Jahren.

Bei entladener Batterie ist der Betrieb der Echtzeituhr nicht mehr gewährleistet, sodass die Uhr bei jedem Systemstart zurückgesetzt wird. Sie erhalten eine Protokollnachricht im Serverbericht des Produkts, wenn ein Batteriewechsel erforderlich ist. Weitere Informationen über den Serverbericht finden Sie auf den Setup-Seiten des Produkts, oder wenden Sie sich an den Axis Support.

Die Batterie sollte nur bei Bedarf ersetzt werden. Wenden Sie sich in diesem Fall an den Axis Support unter [www.axis.com/techsup](http://www.axis.com/techsup).

### **⚠️ WARNUNG**

- Explosionsgefahr bei fehlerhaftem Batteriewechsel.
- Die Batterie darf nur durch eine identische Batterie oder eine von Axis empfohlene Batterie ersetzt werden.
- Verbrauchte Batterien sind gemäß den örtlichen Vorschriften oder den Anweisungen des Herstellers zu entsorgen.



## Installationsanleitung

In dieser Anleitung wird die Installation der AXIS P1354-E/P1357-E-Netzwerk-Kamera in Ihrem Netzwerk beschrieben. Weitere Informationen zur Nutzung dieses Produkts finden Sie im Benutzerhandbuch unter [www.axis.com](http://www.axis.com).

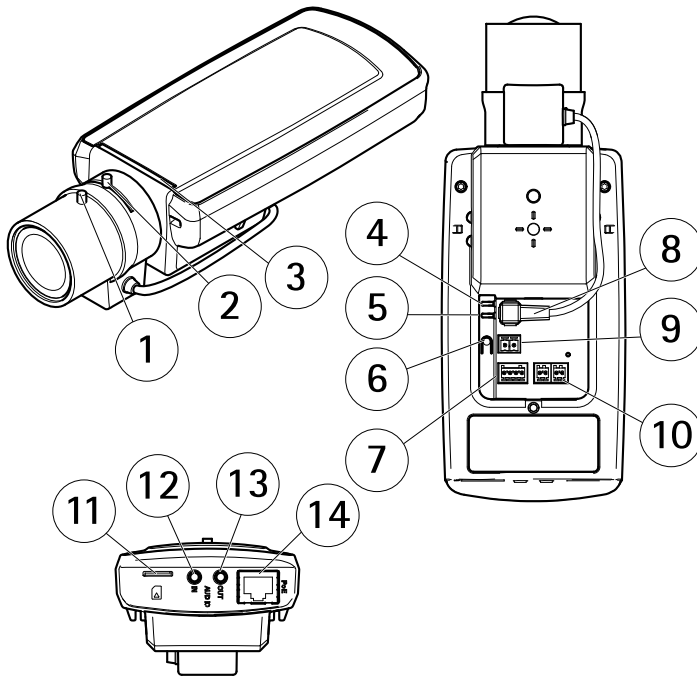
### Installationschritte

1. Stellen Sie sicher, dass die Packungsinhalte, Werkzeuge und andere notwendige Materialien für die Installation in Ordnung sind. Siehe *Seite 53*.
2. Machen Sie sich mit der Hardware-Übersicht vertraut. Siehe *Seite 54*.
3. Machen Sie sich mit den technischen Daten vertraut. Siehe *Seite 59*.
4. Installieren Sie die Hardware. Siehe *Seite 63*.
5. Greifen Sie auf das Produkt zu. Siehe *Seite 68*.
6. Stellen Sie den Fokus ein. Siehe *Seite 68*.

### Lieferumfang

- Netzwerk-Kamera
  - AXIS P1354-E
  - AXIS P1357-E
- Klemmenleisten-Anschluss
  - 4-polige E/A-Anschlussleiste zum Anschluss von externen Geräten
  - 2x Klemmanschluss 2-polig STR 2.5 mm BP AB
- Werkzeuge
  - Torx T20-Schraubendreher
  - Torx T30-Schraubenset
  - Inbusschlüssel
- Gedruckte Dokumente
  - Installationsanleitung (dieses Dokument)
  - Zusätzliche Etiketten mit der Seriennummer (2x)
  - AVHS-Authentifizierungsschlüssel

## Übersicht über die Hardware

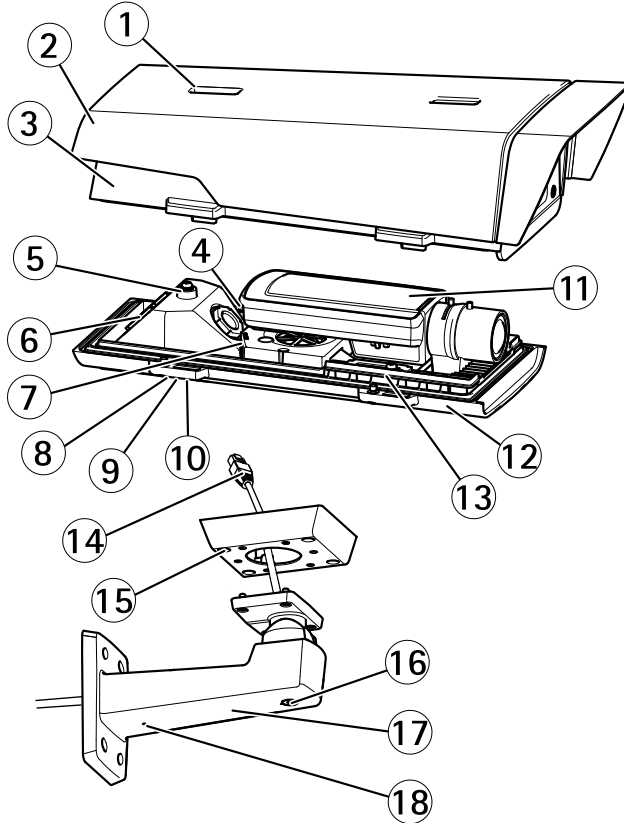


- 1 Schärfe regler
- 2 Zoom regler
- 3 LED-Anzeige
- 4 Netz-LED
- 5 Netzwerk-LED
- 6 Steuertaste
- 7 E/A-Klemmleiste
- 8 Blendenanschluss
- 9 Stromanschluss\*
- 10 RS485/422
- 11 Einschub für SD-Karte (MicroSD)
- 12 Audioeingang
- 13 Audioausgang
- 14 Netzwerkanschluss (PoE)

\* Bei E-Versionen nicht verwendet.

## ⚠VORSICHT

Verletzungsgefahr. Die Heizelemente im Gehäuse können heiß sein.



- 1 SonnenschutzEinstellung
- 2 Sonnenschutz
- 3 Obere Abdeckung
- 4 Netzwerkanschluss (PoE IN)
- 5 Sicherheitsdrahtlasche
- 6 Kabeldurchführung
- 7 Netzwerkanschluss (PoE OUT, werksseitig bereits angeschlossen)
- 8 Schrauben für untere Abdeckung (4)
- 9 Kabelabdeckung
- 10 Schrauben für Kabelabdeckung (2)
- 11 Netzwerk-Kamera

- 12 Untere Abdeckung
- 13 Heizelemente
- 14 Halterungsadapter
- 15 Schrauben für Halterung (4x)
- 16 Einstellschraube für Halterung
- 17 Wandhalterung
- 18 Alternative Kabeldurchführung

## LEDs

### Beachten

- Die Status-LED kann so eingestellt werden, dass sie während des Normalbetriebs nicht leuchtet. Diese Konfiguration können Sie unter **Setup > System Options > Ports & Devices > LED (Setup > Systemoptionen > Ports & Geräte > LED)** einstellen. Weitere Informationen finden Sie in der Online-Hilfe.
- Die Status-LED kann so eingestellt werden, dass sie blinkt, wenn ein Ereignis aktiv ist.
- Die Status-LED kann so eingestellt werden, dass sie blinkt, wenn die Einheit erkannt wird. Rufen Sie **Setup > System Options > Maintenance (Einrichtung > Systemoptionen > Wartung)** auf.

Status-LED	Bedeutung
Grün	Leuchtet bei Normalbetrieb grün.
Gelb	Leuchtet beim Start und beim Wiederherstellen der Einstellungen.

Netzwerk-LED	Bedeutung
Grün	Leuchtet bei Verbindung mit einem 100 MBit/s-Netzwerk. Blinkt bei Netzwerkaktivität.
Gelb	Leuchtet bei Verbindung mit einem 10 MBit/s-Netzwerk. Blinkt bei Netzwerkaktivität.
Leuchtet nicht	Keine Netzwerkverbindung vorhanden.

Netz-LED	Bedeutung
Grün	Normaler Betrieb.
Gelb	Blinkt grün/gelb bei der Firmware-Aktualisierung.



**LEDs**

**Beachten**

Die Gehäuse-LED, auf die sich die nachfolgende Tabelle bezieht, befindet sich im Gehäuse.

Gehäuse-LED (Heizelement und Lüfter)	Bedeutung
Grün	Normaler Betrieb.
Grün blinkend	Einmaliges Blinken: Probleme mit dem Heizelement Doppeltes Blinken: Probleme mit dem Lüfter Dreifaches Blinken: Allgemeiner Fehler Alarmereignisse werden durch den Eingangsport der Kamera ausgelöst. Wenden Sie sich an Ihren Axis Händler, wenn Sie weitere Informationen zu Ersatzteilen und zur Problemlösung benötigen.

**Verhalten der LED-Statusanzeige für den Fokus-Assistenten**

Farbe	Bedeutung
Grün	Der Fokus-Assistent ist aktiviert. Das Objektiv ist optimal eingestellt.
Gelb	Die Kamera wurde bewegt oder vor dem Objektiv wurde ein Gegenstand platziert. Beenden Sie den Fokus-Assistenten und starten Sie ihn neu. Das Objektiv ist nicht optimal eingestellt.
Rot	Die Kamera wurde bewegt oder vor dem Objektiv wurde ein Gegenstand platziert. Beenden Sie den Fokus-Assistenten und starten Sie ihn neu. Das Objektiv ist unzureichend eingestellt.

**Anschlüsse und Tasten**

Für die technischen Daten und Betriebsbedingungen siehe *Seite 59*.

**Netzwerkanschluss**

RJ-45-Ethernetanschluss mit Power over Ethernet (PoE).

## HINWEIS

Das Produkt muss mit einem abgeschirmten Netzkabel (STP) angeschlossen werden. Alle Kabel, die das Produkt mit dem Netzwerkschalter verbinden, müssen hierfür ausgelegt sein. Stellen Sie sicher, dass die Netzwerkgeräte gemäß den Anweisungen des Herstellers installiert wurden. Informationen zu gesetzlichen Bestimmungen finden Sie unter *Electromagnetic Compatibility (EMC) on page 2*.

## E/A-Anschluss

Zur Verwendung mit externen Geräten wie zum Beispiel in Verbindung mit Manipulationsalarmen, Bewegungserkennung, Ereignisauslösung, Zeitrafferaufnahmen und Alarmbenachrichtigungen. Abgesehen vom 0 V DC-Bezugspunkt und Strom (Gleichstromausgang) verfügt die E/A-Klemmenleiste über eine Schnittstelle zu:

- **Digitalausgang** – zum Anschluss externer Geräte wie Relais und LEDs. Angeschlossene Geräte können über die VAPIX® Application Programming Interface (Programmierschnittstelle) mit den Schaltflächen für den Ausgang auf der Seite „Live View“ oder durch eine Aktionsregel aktiviert werden. Der Ausgang wird als aktiv (siehe **System Options > Ports & Devices** (Systemoptionen > Anschlüsse & Geräte)) angezeigt, wenn das Alarmmeldegerät aktiviert ist.
- **Digitaleingang** – Alarmeingang für den Anschluss von Geräten, die zwischen geöffnetem und geschlossenem Schaltkreis wechseln können, z. B.: PIR-Sensoren, Tür-/Fensterkontakte, Glasbruchmelder usw. Bei Empfang eines Signals ändert sich der Status und der Eingang wird aktiviert (siehe **System Options > Ports & Devices** (Systemoptionen > Anschlüsse & Geräte)).

## Beachten

Der E/A-Anschluss ist bei Lieferung an das Gehäuse (Lüfter/Heizelement) angeschlossen. Im Fall eines Fehlers des Lüfters oder Heizelements wird ein Eingangssignal in der Kamera ausgelöst. Richten Sie eine Aktionsregel in der Kamera ein, um zu konfigurieren, welche Aktion durch das Signal ausgelöst werden soll. Weitere Informationen zu Ereignissen und Aktionsregeln finden Sie im Benutzerhandbuch unter [www.axis.com](http://www.axis.com)

## Audioanschlüsse

Das Axis-Produkt ist mit den folgenden Audioanschlüssen ausgestattet:

- **Audioeingang (rosa)** – 3,5-mm-Anschluss für ein Monomikrofon oder ein Monosignal.
- **Audioausgang (grün)** – 3,5-mm-Audioausgang (Leitungspegel) zum Anschließen einer Rundrufanlage (PA) oder eines Aktivlautsprechers mit integriertem Verstärker. Für den Audioausgang muss ein Stereostecker verwendet werden.

Beim Audioeingang wird der linke Kanal von einem Stereosignal benutzt.

## RS485-/RS422-Anschluss

Zwei 2-polige Anschlussblöcke für serielle Schnittstellen vom Typ RS-485/RS-422 zur Steuerung von Zusatzgeräten, beispielsweise zum Schwenken und Neigen.

## SD-Kartensteckplatz

### HINWEIS

- Gefahr von Schäden an der SD-Karte. Verwenden Sie beim Einlegen oder Entfernen der SD-Karte keine scharfen/spitzen Werkzeuge und wenden Sie nicht zu viel Kraft an.
- Gefahr vor Datenverlust. Um einer Beschädigung der Aufnahmen vorzubeugen, sollte die SD-Karte vor dem mechanischen Auswerfen getrennt werden. Rufen Sie zum Trennen **Setup > System Options > Storage > SD Card (Einrichtung > Systemoptionen > Speicher > SD-Karte)** auf und klicken Sie auf **Unmount (Trennen)**.

Dieses Produkt unterstützt microSD-/microSDHC-/microSDXC-Karten (separat erhältlich).

Empfehlungen zu SD-Karten finden Sie unter [www.axis.com](http://www.axis.com).

## Steuertaste

Die Steuertaste befindet sich an folgender Stelle: *Übersicht über die Hardware auf Seite 54.*

Die Steuertaste hat folgende Funktionen:

- Aktivierung des Fokus-Assistenten. Drücken Sie kurz die Steuertaste.
- Zurücksetzen des Produkts auf die Werkseinstellungen. Siehe *Seite 70*.
- Verbinden mit einem AXIS Video Hosting System-Service oder einem AXIS Internet Dynamic DNS-Service. Weitere Informationen zu diesen Diensten finden Sie in der Bedienungsanleitung.

## Technische Daten

### Betriebsbedingungen

Produkte	Temperatur	Luftfeuchtigkeit
AXIS P1353-E AXIS P1354-E AXIS P1355-E AXIS P1357-E	-30 bis 50 °C mit PoE, ab -40 °C mit High PoE	10 bis 100 % relative Luftfeuchtigkeit (kondensierend)

# AXIS P13-E Series

## Schalter für Kaltstartverzögerung

Das Gehäuse dieses Axis-Produkts ist mit der Funktion „Arctic Temperature Control“ (Steuerung bei arktischen Temperaturen) ausgestattet, die durch das Einstellen des Kaltstartverzögerungsschalters auf „I (EIN)“ aktiviert wird. Wenn diese Funktion aktiviert ist und die Kamera nach einer Stromunterbrechung bei Temperaturen unter 0 °C neu gestartet werden muss, wird die Kamera zunächst auf etwa 0 °C aufgeheizt, bevor die Initialisierung gestartet wird. Damit wird verhindert, dass Kameramodelle mit beweglichen Teilen beschädigt werden.

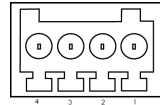
## Stromverbrauch

Produkte	PoE	High PoE
AXIS P1354-E AXIS P1357-E	max. 12,95 W IEEE 802.3af/802.3at Typ 1 Klasse 3	max. 25,5 W

## Anschlüsse

### E/A-Anschluss

4-poliger Anschlussblock

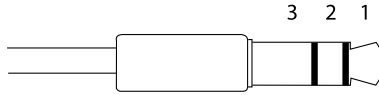


Ein Beispielschaltbild finden Sie unter *Anschlussbilder auf Seite 62*.

Funktion	Kontakt	Hinweise	Technische Daten
0 V DC (-)	1		
Gleichstromausgang	2	Kann für die Stromversorgung von Zusatzgeräten verwendet werden. Hinweis: Dieser Kontakt kann nur für den Stromausgang verwendet werden.	3,3 V DC Max. Stromstärke = 50 mA
Digital-eingang	3	Zum Aktivieren mit Kontakt 1 verbinden; zum Deaktivieren nicht anschließen.	0 bis max. 40 V DC
Digitalausgang	4	Bei Aktivierung mit Kontakt 1 verbunden; wenn deaktiviert: frei (nicht verbunden). Bei Verwendung mit einer induktiven Last, z. B. einem Relais, muss parallel zur Last zum Schutz vor Spannungsspitzen eine Diode zwischengeschaltet werden.	0 bis max. 40 V DC, Open Drain, 100 mA

## Audioanschlüsse

3,5-mm-  
Audioanschlüsse  
(stereo)

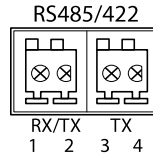


	1 Spitze	2 Ring	3 Schaft
Audioeingang	Mikrofon-/Leitungseingang		Masse
Audioausgang	Leitungsausgang (mono)		Masse

## RS485/422-Anschluss

Zwei 2-polige Anschlussblöcke für serielle Schnittstellen vom Typ RS485/RS422. Der serielle Anschluss kann in den folgenden Anschlussmodi konfiguriert werden:

- zweiadrigter RS485-Halbduplex-Anschluss
- vieradrigter RS485-Vollduplex-Anschluss
- zweiadrigter RS422-Simplex-Anschluss
- vieradrigter RS422-Vollduplex-Anschluss (Punkt-zu-Punkt-Verbindung)



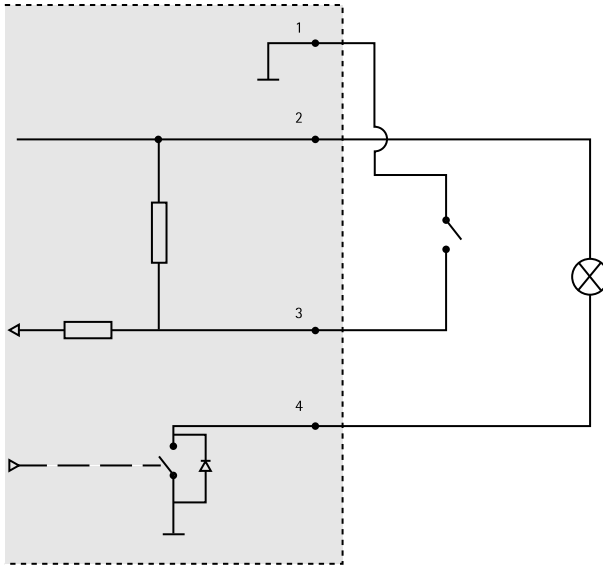
Funktion	Kon-takt	Hinweise
RS485B alt RS485/422 RX(B)	1	RX-Paar für alle Modi (kombinierter RX/TX für RS485 mit 2 Leitern)
RS485A alt RS485/422 RX(A)	2	
RS485/RS422 TX(B)	3	TX-Paar für RS422 und RS485 mit 4 Leitern
RS485/RS422 TX(A)	4	

### Wichtig

Die empfohlene maximale Kabellänge beträgt 30 m (98,4 ft).

## Anschlusschaltbilder

### E/A-Anschluss



- 1 0 V DC (-)
- 2 DC-Ausgang 3,3 V, max. 50 mA
- 3 Digitaleingang 0 bis max. 40 V DC
- 4 Digitalausgang 0 bis max. 40 V DC, Open Drain, 100 mA

## Installieren der Hardware

### Anbringen der Wandhalterung

#### HINWEIS

- Die Kamera wiegt 3 kg. Vergewissern Sie sich, dass das Material stabil genug ist, um dieses Gewicht zu tragen.
  - Verwenden Sie immer ein abgeschirmtes Netzwerkkabel (STP), das für den Einsatz zwischen dem Axis Produkt und dem Endpunkt im Außenbereich bestimmt und ordnungsgemäß geerdet ist. Installationen von Axis-Produkten mit einem abgeschirmten Netzwerkkabel (STP) und einem ordnungsgemäß geerdeten Endpunkt wurden getestet, um den Störfestigkeitsanforderungen der Industrie wie z. B. an den Überspannungsschutz zu entsprechen. Wenn Sie andere Installationsverfahren verwenden, erlischt die Garantie und der sichere Betrieb des Geräts ist nicht gewährleistet.
1. Bereiten Sie die Befestigung der Wandhalterung an der Wand oder einem Mast vor, indem Sie die Position der Bohrlöcher mithilfe der mitgelieferten Bohrschablone markieren.
  2. Führen Sie das Netzwerkkabel durch die Wandhalterung und den Wandhalterungsadapter. Lassen Sie zum Anschließen der Kamera ca. 30 cm Kabel frei.
  3. Montieren Sie die Wandhalterung an einer Wand, einer Decke oder einem Mast. Stellen Sie sicher, dass Sie für das Material (z. B. Holz, Metall, Gipskarton, Stein) geeignete Schrauben und Dübel verwenden.

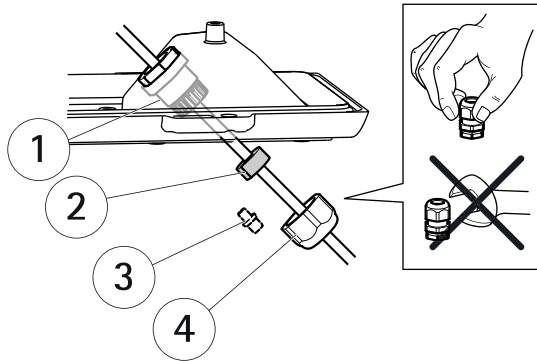
### Führen der Netzwerkkabel durch die Kabellöcher

#### HINWEIS

Wenn eine andere Kabelverschraubung als die mitgelieferte verwendet wird, kann Wasser eindringen und das Produkt beschädigen. Die Kabel müssen einen Durchmesser von 4,0 bis 5,5 mm haben.

#### Beachten

Beachten Sie bei der Durchführung der folgenden Schritte die Hardwareübersicht (siehe Seite 54).



- 1 Kabelverschraubung
- 2 Dichtung
- 3 Stopfen (entsorgen)
- 4 Kappe

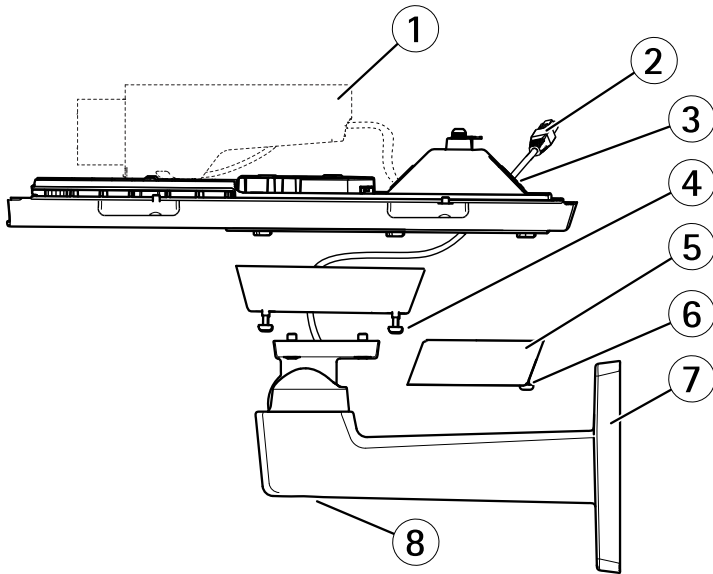
1. Lösen Sie die Schrauben der Kabelabdeckung und nehmen Sie die Kabelabdeckung von der unteren Abdeckung ab.
2. Entfernen Sie die Kappe, den Stopfen und die Dichtung aus der Kabelverschraubung.
3. Führen Sie das Netzkabel durch die Kappe.
4. Führen Sie das Netzkabel durch den Schlitz in der Dichtung, um die Dichtung am Netzkabel zu fixieren. Siehe *Anschlüsse auf Seite 60* bezüglich Informationen zu den Anforderungen des Netzkabels.
5. Führen Sie das Netzkabel durch die Kabelverschraubung.
6. Pressen Sie die Dichtung in die Kabelverschraubung und schrauben Sie die Kappe fest.

### Anbringen der Kamera an der Halterung

#### Beachten

Die Einzelkomponenten finden Sie in den Abbildungen unter *Übersicht über die Hardware auf Seite 54*.





- 1 *Axis Netzwerk-Kamera*
- 2 *Netzwerkkabel (durch Wandhalterung führen)*
- 3 *Kabellöcher*
- 4 *Schraube für Halterung (4x)*
- 5 *Kabelabdeckung*
- 6 *Schraube für Kabelabdeckung (2x)*
- 7 *Wandhalterung*
- 8 *Einstellschraube für Halterung*

1. Montieren Sie die Kamera mit der unteren Abdeckung an der Halterung und ziehen Sie die Halterungsschrauben fest.
2. Entfernen Sie die Dichtung aus einer der Bohrungen in der unteren Abdeckung.
3. Führen Sie das Netzwerkkabel durch die Bohrung und setzen Sie die Kabeldichtung in die Bohrung ein.
4. Schließen Sie die Kabel an, siehe *Anschließen der Kabel*.
5. Nehmen Sie die obere Abdeckung ab und befestigen Sie den Sicherheitsdraht an der Lasche an der unteren Abdeckung.
6. Lösen Sie die Einstellschraube für die Halterung und richten Sie die Kamera aus. Weitere Informationen zur Anzeige des Videostreams finden Sie unter *Seite 68*.  
Stellen Sie den Fokus ein, siehe *Seite 68*.
7. Bringen Sie die obere Abdeckung an. Ziehen Sie abwechselnd die jeweils diagonal gegenüberliegenden Schrauben der unteren Abdeckung um einige Umdrehungen fest, bis alle Schrauben festgezogen sind. Auf diese Weise wird sichergestellt, dass die

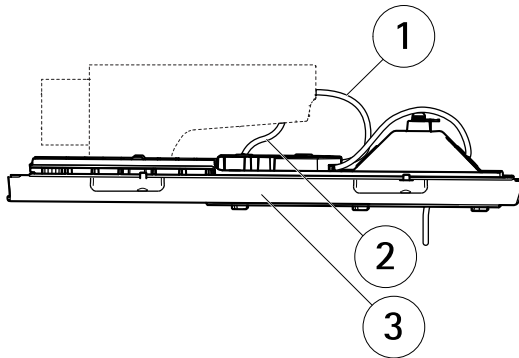
## AXIS P13-E Series

---

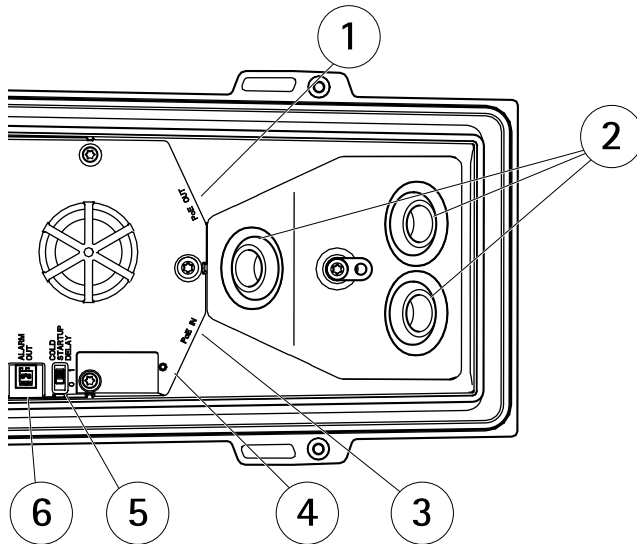
Dichtung der unteren Abdeckung gleichmäßig sitzt. Ziehen Sie die Schrauben nicht sofort komplett fest.

8. Bringen Sie die Kabelabdeckung an und ziehen Sie die Schrauben der Kabelabdeckung fest.
9. Lösen Sie die Einstellschrauben des Sonnenschutzes und richten Sie den Sonnenschutz nach vorn aus.

### Anschließen der Kabel



- 1 *Netzwerkkabel*
- 2 *E/A-Kabel*
- 3 *Untere Abdeckung*



- 1 Netzwerkanschluss (PoE OUT, werkseitig angeschlossen)
- 2 Kabellöcher
- 3 Netzwerkanschluss (PoE-Eingang)
- 4 LED-Anzeige
- 5 Arctic Temperature Control-Schalter
- 6 Alarmausgang (werkseitig angeschlossen)

1. Setzen Sie optional eine SD-Speicherkarte (nicht im Lieferumfang enthalten) in den SD-Kartensteckplatz ein. Wenn Sie Bilder lokal in der Netzwerk-Kamera speichern möchten, benötigen Sie eine SD- oder SDHC-Speicherkarte.
2. Schließen Sie ggf. externe Ein-/Ausgabegeräte an. Informationen zur Anschlussbelegung finden Sie unter *Anschlüsse auf Seite 60*. Informationen zur Vorbereitung des Netzkabels finden Sie unter *Führen der Netzkabel durch die Kabellöcher auf Seite 63*. Führen Sie die Kabel durch die Kabelbohrungen in der unteren Abdeckung zur Kamera.
3. Verbinden Sie die Kamera mithilfe eines abgeschirmten Netzkabels und des Netzwerkanschlusses (PoE IN) an der unteren Abdeckung mit dem Netzwerk. Das Netzkabel und das E/A-Kabel zwischen der unteren Abdeckung und der Kamera sind bereits werkseitig angeschlossen.
4. Überprüfen Sie, ob die LEDs die Betriebszustände korrekt angeben. Ausführliche Informationen finden Sie unter *LEDs auf Seite 56*.

### Zugriff auf das Produkt

Für die Suche nach Axis Produkten im Netzwerk und zur Zuweisung einer IP-Adresse unter Windows® werden AXIS IP Utility und AXIS Camera Management empfohlen. Beide Anwendungen sind kostenlos und können von unserer Website unter [www.axis.com/techsup](http://www.axis.com/techsup) heruntergeladen werden.

Das Produkt ist mit den meisten Standard-Betriebssystemen und Browsern kompatibel. Empfohlen werden die Browser

- Internet Explorer® unter Windows®
- Safari® unter OS X®
- Chrome™ oder Firefox® unter anderen Betriebssystemen

Weitere Informationen zur Nutzung dieses Produkts finden Sie im Benutzerhandbuch unter [www.axis.com](http://www.axis.com).

### Einstellen der Bildschärfe

Befolgen Sie die folgenden Anweisungen, um Zoom und Bildschärfe einzustellen:

#### Beachten

- Stellen Sie die Bildschärfe so präzise wie möglich über den Schärferegler oder den Fokus-Assistenten ein, bevor Sie die automatische Feinabstimmung starten. Der Schärferegler liefert in der Regel die besten Ergebnisse.
  - Die Blende muss beim Fokussieren Kamera vollständig geöffnet sein. Dadurch werden die geringste Schärfentiefe und damit die optimalen Voraussetzungen für die richtige Fokussierung erreicht.
1. Rufen Sie die Startseite des Produkts auf und gehen Sie zu **Setup (Einrichtung) > Basic Setup (Grundeinstellungen) > Focus (Fokus)**.
  2. Klicken Sie unter der Registerkarte **Basic (Standard)** auf **Open iris (Blende öffnen)**. Ist diese Schaltfläche deaktiviert, ist die Blende bereits vollständig geöffnet.
  3. Wenn die Bildschärfe bereits eingestellt wurde, klicken Sie auf **Reset (Zurücksetzen)**, um das Auflagemaß zurückzusetzen.
  4. Lösen Sie den Zoomregler und den Schärferegler am Objektiv (siehe *Übersicht über die Hardware auf Seite 54*), indem Sie sie gegen den Uhrzeigersinn drehen. Bewegen Sie die beiden Regler und stellen Sie Zoomstärke und Bildschärfe ein. Prüfen Sie die Bildqualität im Bildfenster.  
Ist die Kamera so montiert, dass sich die Bildqualität nicht prüfen lässt, während gleichzeitig die Regler bewegt werden, können Sie stattdessen den Fokus-Assistenten verwenden. Siehe .
  5. Lösen Sie den Zoomregler und die Feststellschraube für den Fokusring am Objektiv (siehe *Übersicht über die Hardware auf Seite 54*), indem Sie sie gegen den Uhrzeigersinn

drehen. Bewegen Sie den Zoomregler und den Fokusring und stellen Sie Zoomstärke und Bildschärfe ein. Prüfen Sie die Bildqualität im Bildfenster.

Ist die Kamera so montiert, dass Sie die Bildqualität nicht prüfen können, während Sie gleichzeitig den Zoomregler und den Fokusring bewegen, können Sie stattdessen den Fokus-Assistenten verwenden. Siehe .

6. Drehen Sie Zoomregler und Schärferegler wieder fest.
7. Klicken Sie auf der Fokus-Seite auf **Fine-tune focus automatically (Automatische Feinabstimmung der Bildschärfe)** und warten Sie, bis die automatische Feinabstimmung abgeschlossen ist.
8. Klicken Sie auf **Enable iris (Blende aktivieren)**. Ist diese Schaltfläche deaktiviert, ist die Blende bereits aktiviert.
9. Auf der Registerkarte **Advanced (Erweitert)** können Sie bei Bedarf weitere Einstellungen vornehmen. Weitere Informationen finden Sie in der Online-Hilfe.

## Fokus-Assistent

Zur Fokussierung der Kamera mit dem Fokus-Assistenten befolgen Sie zunächst die Anweisungen in den Schritten 1 bis 3 auf *Seite 68*, bevor Sie die folgenden Schritte ausführen.

### Beachten

- Während der Fokussierung der Kamera (Schritte 5 und 6) muss das Sichtfeld der Kamera unverändert bleiben. Falls Sie die Kamera bewegen oder wenn das Objektiv von einem Finger oder einem Gegenstand verdeckt wurde, müssen Sie die folgenden Schritte 3 bis 7 wiederholen.
  - Wenn Bewegungen vor der Kamera nicht vermieden werden können, sollten Sie den Fokus-Assistenten nicht verwenden.
  - Wenn Sie die Steuertaste nicht innerhalb von zwei Sekunden loslassen, wird anstelle des Fokus-Assistenten der AXIS Dynamic DNS Service aktiviert.
  - Wenn die Kamera so montiert ist, dass die Betätigung der Steuertaste nicht möglich ist, können Sie den Fokus-Assistenten trotzdem verwenden. Folgen Sie den Anweisungen unten, montieren Sie die Kamera aber stattdessen nach Schritt 4 (Steuertaste drücken) und überspringen Sie Schritt 7.
1. Fixieren oder platzieren Sie die Kamera so, dass sie nicht bewegt werden kann.
  2. Lösen Sie den Zoomregler, indem Sie ihn entgegen dem Uhrzeigersinn drehen. Bewegen Sie den Regler und stellen Sie die Zoomstärke ein. Drehen Sie den Zoomregler wieder fest.
  3. Stellen Sie die Kamera auf die weiteste Fernfokus-Position ein, indem Sie den Schärferegler lösen und den Fokusring vollständig im Uhrzeigersinn drehen.
  4. Drücken Sie die Steuertaste und lassen Sie sie schnell wieder los. Wenn die Statusanzeige grün blinkt, ist der Fokus-Assistent aktiviert. Wenn die Statusanzeige rot oder gelb blinkt, bevor Sie das Objektiv einstellen können, fahren Sie mit Schritt 7 fort, um den Fokus-Assistenten zu beenden, und wiederholen die Schritte 3 bis 7.

5. Drehen Sie den Fokusring vorsichtig gegen den Uhrzeigersinn bis zum Anschlag.
6. Drehen Sie den Fokusring dann langsam gegen den Uhrzeigersinn, bis die Statusanzeige grün oder gelb blinkt (nicht rot).
7. Zum Beenden des Fokus-Assistenten drücken Sie erneut die Steuertaste. Der Fokus-Assistent wird nach 15 Minuten automatisch ausgeschaltet.
8. Drehen Sie den Schärferegler wieder fest.
9. Öffnen Sie die Seite Live View (Live-Ansicht) im Webbrowser und überprüfen Sie die Bildqualität.
10. Führen Sie anschließend die Schritte 6 bis 8 auf *Seite 68* aus.

## Zurücksetzen auf Werkseinstellungen

### Wichtig

Das Zurücksetzen auf die Werkseinstellungen sollte mit Vorsicht verwendet werden. Beim Zurücksetzen auf die Werkseinstellungen werden alle Einstellungen einschließlich der IP-Adresse auf die Werkseinstellungen zurückgesetzt.

### Beachten

Die Software-Tools für Installation und Verwaltung sind über die Supportseiten unter [www.axis.com/techsup](http://www.axis.com/techsup) verfügbar.

So wird das Produkt auf die Werkseinstellungen zurückgesetzt:

1. Trennen Sie das Produkt von der Stromversorgung.
2. Halten Sie die Steuertaste gedrückt und stecken Sie den Netzstecker wieder ein. Siehe *Übersicht über die Hardware auf Seite 54*.
3. Halten Sie die Steuertaste etwa 15 bis 30 Sekunden gedrückt, bis die LED-Statusanzeige gelb blinkt.
4. Lassen Sie die Steuertaste los. Der Vorgang ist abgeschlossen, wenn die LED-Statusanzeige grün leuchtet. Das Produkt wurde auf die Werkseinstellungen zurückgesetzt. Wenn kein DHCP-Server im Netzwerk verfügbar ist, lautet die Standard-IP-Adresse 192.168.0.90.
5. Verwenden Sie die Software-Tools für Installation und Verwaltung, um eine IP-Adresse zuzuweisen, ein Kennwort einzurichten und auf den Videostream zuzugreifen.
6. Justieren Sie den Fokus des Produkts neu.

Die Parameter können auch über die Weboberfläche auf die Werkseinstellungen zurückgesetzt werden. Rufen Sie **Setup > System Options > Maintenance (Setup > Systemoptionen > Wartung)** auf.

### Weitere Informationen

Das Benutzerhandbuch finden Sie unter [www.axis.com](http://www.axis.com).

Unter [www.axis.com/techsup](http://www.axis.com/techsup) finden Sie Firmware-Aktualisierungen für Ihre Netzwerkprodukte. Um die aktuell installierte Firmware-Version zu sehen, gehen Sie auf **Einrichten > Über**.

Besuchen Sie das Axis-Schulungszentrum [www.axis.com/academy](http://www.axis.com/academy) für anregende Schulungen, Webinare, Lernprogramme und Anleitungen.

### Gewährleistungsinformationen

Informationen zur Gewährleistung der Axis Produkte und andere, hierzu relevante Informationen, finden Sie unter [www.axis.com/warranty/](http://www.axis.com/warranty/)





## Informazioni di sicurezza

Leggere con attenzione questa guida all'installazione prima di installare il dispositivo. Conservare questo documento per usi futuri.

### Livelli di pericolo

#### **▲PERICOLO**

Indica una situazione pericolosa che, se non evitata, provoca morte o lesioni gravi.

#### **▲AVVERTENZA**

Indica una situazione pericolosa che, se non evitata, può provocare la morte o lesioni gravi.

#### **▲ATTENZIONE**

Indica una situazione pericolosa che, se non evitata, può provocare lesioni medie o minori.

#### **AWISO**

Indica una situazione che, se non evitata, può danneggiare la proprietà.

### Altri livelli di messaggio

#### Importante

Indica informazioni importanti, essenziali per il corretto funzionamento del dispositivo.

#### Nota

Indica informazioni utili che aiutano ad ottenere il massimo risultato dal dispositivo.

## Istruzioni di sicurezza

### **⚠AVVERTENZA**

- Il dispositivo Axis deve essere installato da un professionista qualificato.

### **AWISO**

- Il dispositivo Axis deve essere utilizzato in conformità alle leggi e alle disposizioni locali.
- Conservare il dispositivo Axis in un ambiente asciutto e ventilato.
- Evitare di esporre il dispositivo Axis a urti o pressioni eccessive.
- Non installare il dispositivo su supporti, superfici o pareti instabili.
- Utilizzare solo strumenti raccomandati quando si installa il dispositivo Axis. Se si utilizza un'alimentazione eccessiva è possibile causare danni al dispositivo.
- Non utilizzare sostanze chimiche, agenti caustici o detergenti aerosol.
- Utilizzare un panno pulito inumidito in acqua pura per la pulizia.
- Utilizzare solo accessori compatibili con le specifiche tecniche del dispositivo. Questi possono essere forniti da Axis o da terze parti.
- Utilizzare solo parti di ricambio fornite o consigliate da Axis.
- Non tentare di riparare il dispositivo da soli. Contattare l'assistenza o il rivenditore Axis per questioni relative alla manutenzione.
- L'alimentatore dovrà essere inserito in una presa di corrente posizionata nelle vicinanze del prodotto, inoltre dovrà essere accessibile.

## Trasporto

### **AWISO**

- Durante il trasporto del dispositivo Axis, utilizzare l'imballaggio originale o equivalente per evitare danni al dispositivo.

## Batteria

Il dispositivo Axis utilizza una batteria al litio da 3,0 V BR/CR2032 come alimentazione per il suo real-time clock (RTC) interno. In condizioni normali questa batteria avrà una durata minima di cinque anni.

Una bassa carica della batteria influisce sul funzionamento del RTC, facendolo resettare a ogni accensione. Quando la batteria deve essere sostituita, un messaggio di registro viene visualizzato nel report server del dispositivo. Per ulteriori informazioni sul report server, vedere le pagine di configurazione del dispositivo o contattare l'assistenza Axis.

La batteria non deve essere sostituita se non richiesto, ma nel caso in cui questo fosse necessario, contattare il supporto Axis all'indirizzo [www.axis.com/techsup](http://www.axis.com/techsup) per assistenza.

### **⚠AVVERTENZA**

- Rischio di esplosione se la batteria viene sostituita in modo errato.
- Sostituire solo con una batteria identica o una batteria consigliata da Axis.
- Smaltire le batterie usate in base alle normative locali o alle istruzioni del produttore della batteria.



## Guida all'installazione

La presente guida all'installazione fornisce le istruzioni necessarie per installare la telecamera di rete AXIS P1354-E/P1357-E nella rete in uso. Per ulteriori informazioni sull'utilizzo del dispositivo, consultare la guida per l'utente disponibile all'indirizzo [www.axis.com](http://www.axis.com)

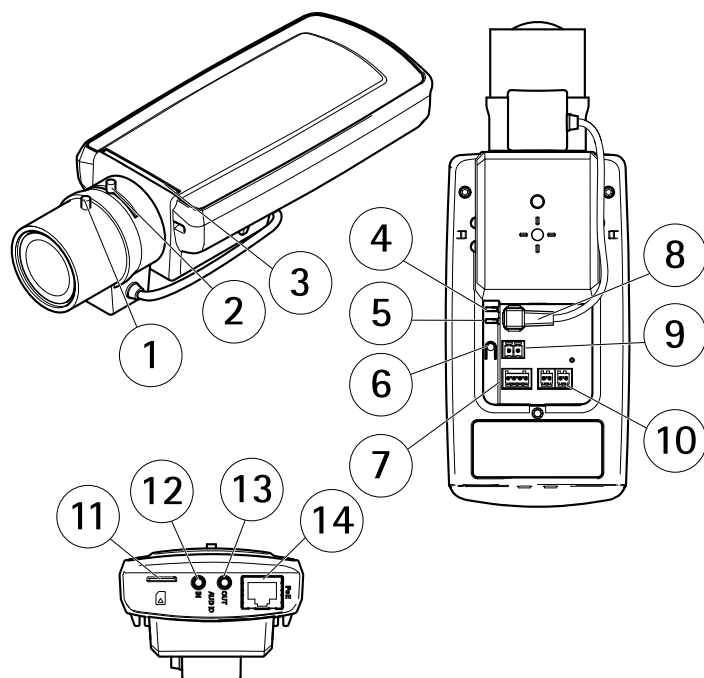
## Procedura di installazione

1. Assicurarsi che il contenuto della confezione, gli strumenti e altri materiali necessari per l'installazione siano in ordine. Consultare *pagina 77*.
2. Studiare la descrizione dell'hardware. Consultare *pagina 78*.
3. Studiare le specifiche. Consultare *pagina 83*.
4. Installare l'hardware. Consultare *pagina 86*.
5. Accedere al dispositivo. Consultare *pagina 91*.
6. Impostare la messa a fuoco. Consultare *pagina 91*.

## Contenuto della confezione

- Telecamera di rete
  - AXIS P1354-E
  - AXIS P1357-E
- Connettore della morsettiera
  - Morsettiera con connettore a 4 pin per la connessione di periferiche esterne alla morsettiera di I/O
  - 2x connettore terminale a 2 pin STR 2,5 mm BP AB
- Strumenti
  - Cacciavite Torx T20
  - Punta da cacciavite Torx T30
  - Chiave Allen
- Materiali stampati
  - Guida all'installazione (questo documento)
  - Etichetta aggiuntiva con numero di serie (2x)
  - Chiave di autenticazione AVHS

## Panoramica dell'hardware

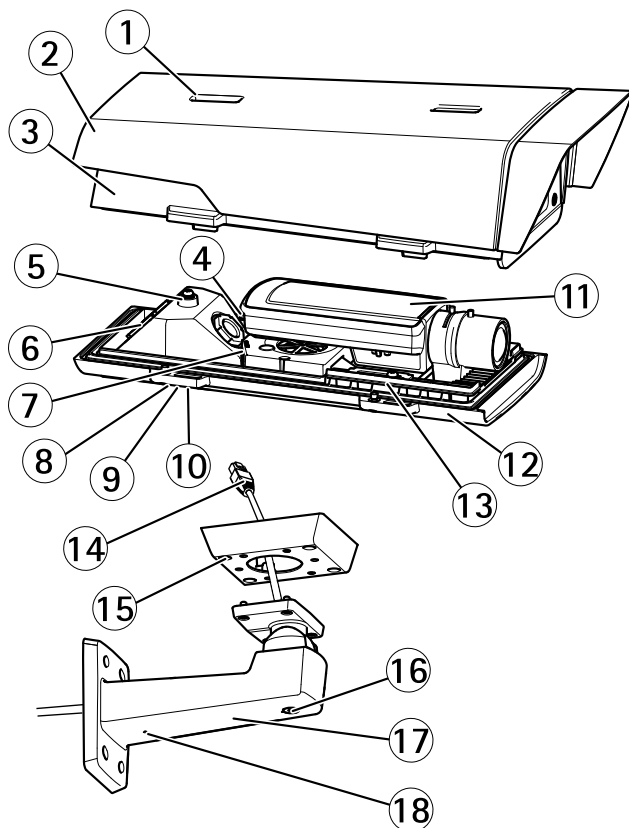


- 1 *Levetta di messa a fuoco*
- 2 *Levetta zoom*
- 3 *Indicatore LED*
- 4 *LED di alimentazione*
- 5 *LED di rete*
- 6 *Pulsante di comando*
- 7 *Morsettiera I/O*
- 8 *Connettore del diaframma*
- 9 *Connettore di alimentazione\**
- 10 *RS485/422*
- 11 *Slot per schede di memoria SD (microSD)*
- 12 *Ingresso audio*
- 13 *Uscita audio*
- 14 *Connettore di rete PoE*

\* Non utilizzato per le versioni -E.

**ATTENZIONE**

Rischio di lesione. I riscaldatori potrebbe essere caldi nell'alloggiamento.



- 1 Vite di regolazione del parasole
- 2 Parasole
- 3 Coperchio superiore
- 4 Connettore di rete (PoE OUT, collegato alla consegna)
- 5 Linguetta per il cavo di sicurezza
- 6 Foro per il cavo
- 7 Connettore di rete (PoE IN)
- 8 Viti del coperchio inferiore (4x)
- 9 Coperchio dei cavi
- 10 Viti del coperchio dei cavi (2x)
- 11 Telecamera di rete

- 12 *Coperchio inferiore*
- 13 *Riscaldatori*
- 14 *Adattatore per staffa*
- 15 *Viti della staffa (4x)*
- 16 *Vite di regolazione della staffa*
- 17 *Staffa a parete*
- 18 *Foro per cavo alternativo*

### Indicatori LED

#### Nota

- Lo stato del LED può essere configurato per essere spento durante il normale funzionamento. Per configurarlo, selezionare **Setup > System Options > Ports & Devices > LED (Configurazione > Opzioni di sistema > Porte & Dispositivi > LED)**. Per ulteriori informazioni, consultare l'aiuto in linea.
- Il LED di stato può essere configurato per lampeggiare quando un evento è attivo.
- Il LED di stato può essere configurato per lampeggiare per identificare l'unità. Andare su **Setup > System Options > Maintenance (Configurazione > Opzioni di sistema > Manutenzione)**.

LED di stato	Indicazione
Verde	Luce verde fissa: condizioni di normale utilizzo.
Giallo	Fissa durante l'avvio e quando si ripristinano le impostazioni.

LED di rete	Indicazione
Verde	Luce fissa per connessione di rete a 100 Mbit/s. Luce lampeggiante: attività di rete.
Giallo	Luce fissa per connessione di rete a 10 Mbit/s. Luce lampeggiante: attività di rete.
Spento	Assenza di connessione.

LED di alimentazione	Indicazione
Verde	Normale utilizzo.
Giallo	Luce lampeggiante verde/gialla: aggiornamento firmware.



## Indicatori LED

### Nota

Il LED dell'alloggiamento a cui si fa riferimento nella tabella in basso è posizionato nell'alloggiamento.

LED dell'alloggiamento (ventola e riscaldatore)	Indicazione
Verde	Normale utilizzo.
Luce lampeggiante verde	Lampeggio singolo: Errore riscaldatore Lampeggio doppio: Errore ventola Lampeggio triplo: Errore generale Gli eventi di allarme vengono attivati attraverso la porta di input della telecamera. Contattare il rivenditore Axis per informazioni su pezzi di ricambio e risoluzione dei problemi.

## Comportamento del LED di stato per Focus Assistant

Colore	Indicazione
Verde	Focus Assistant abilitato. Obiettivo regolato in modo ottimale.
Giallo	Telecamera spostata oppure posizionamento di un oggetto davanti all'obiettivo. Uscire e riavviare Focus Assistant. Obiettivo regolato in modo non ottimale.
Rosso	Telecamera spostata oppure posizionamento di un oggetto davanti all'obiettivo. Uscire e riavviare Focus Assistant. Obiettivo regolato in modo improprio.

## Connettori e pulsanti

Per le specifiche e le condizioni di funzionamento, consultare *pagina 83*.

### Connettore di rete

Connettore Ethernet RJ45 con Power over Ethernet (PoE+).

### AWISO

Collegare il dispositivo con un cavo di rete schermato (STP). Tutti i cavi che collegano il dispositivo alla rete sono destinati al loro uso specifico. Accertarsi che i dispositivi di rete siano installati secondo le istruzioni del produttore. Per maggiori informazioni sui requisiti normativi, consultare *Electromagnetic Compatibility (EMC) on page 2*.

### Connettore I/O

Utilizzare con dispositivi esterni in combinazione con, ad esempio, allarmi antimanomissione, rilevazione del movimento, attivazione di eventi, registrazione temporizzata e notifiche di allarme. Oltre al punto di riferimento 0 V CC e all'alimentazione (uscita CC), il connettore I/O fornisce l'interfaccia per:

- **Uscita digitale** – Per collegare dispositivi esterni come relè o LED. Le periferiche collegate possono essere attivate tramite VAPIX® API (interfaccia per la programmazione di applicazioni), tramite i pulsanti di comando della pagina Live View (Immagini dal vivo) oppure tramite l'opzione Action Rule (regola di azione). L'uscita verrà visualizzata come attiva (visualizzata in **Opzioni di Sistema > Porte e Dispositivi**) se il dispositivo di allarme è attivato.
- **Ingresso digitale** – Ingresso allarme utilizzabile per collegare le periferiche, che può passare dal circuito chiuso al circuito aperto, ad esempio: Sensori di movimento (PIR), contatti porta/finestra, rilevatori di rottura vetri e così via. Dopo la ricezione del segnale lo stato cambia e l'ingresso diventa attivo (visualizzato in **System Options > Ports & Devices (Opzioni di Sistema > Porte e Dispositivi)**).

#### Nota

Il connettore I/O è collegato alla custodia (ventola/riscaldatore) alla consegna. In caso di errore del ventilatore o del riscaldatore, verrà attivato un segnale di ingresso nella telecamera. Impostare una regola di azione nella telecamera per configurare l'azione che verrà attivata dal segnale. Per informazioni sugli eventi e le regole di azione, consultare la Guida per l'utente disponibile all'indirizzo [www.axis.com](http://www.axis.com)

### Connettore audio

Il prodotto Axis dispone dei seguenti connettori audio:

- **Ingresso audio (rosa)** - Ingresso audio da 3,5 mm per microfono in mono o segnale mono line-in.
- **Uscita audio (verde)** - Uscita audio da 3,5 mm (livello di linea) che può essere connessa a un sistema di indirizzo pubblico (PA) o a un altoparlante con amplificatore integrato. Per l'uscita audio è necessario usare un connettore stereo.

Per l'ingresso audio, il canale sinistro viene utilizzato da un segnale stereo.

### Connettore RS485/RS422

Due morsettiere per l'interfaccia seriale RS485/RS422 utilizzate per il controllo di periferiche ausiliarie come i dispositivi di rotazione/inclinazione.

## Slot per scheda SD

### AVISO

- Rischio di danni alla scheda SD. Non utilizzare strumenti appuntiti e non esercitare eccessiva forza durante l'inserimento o la rimozione della scheda SD.
- Rischio di perdita di dati. Per prevenire il danneggiamento dei dati, la scheda SD deve essere scollegata prima della rimozione. Per scollegare, andare a **Setup > System Options > Storage > SD Card (Configurazione > Opzioni di sistema > Archiviazione > Scheda SD)** e fare clic su **Unmount (Smonta)**.

Questo dispositivo supporta schede microSD/microSDHC/microSDXC (scheda di memoria non inclusa).

Per i consigli sulla scheda SD, visitare il sito Web [www.axis.com](http://www.axis.com).

## Pulsante di comando

Per l'ubicazione del pulsante di comando, vedere *Panoramica dell'hardware alla pagina 78*.

Il pulsante di comando viene utilizzato per:

- Abilitare la messa a fuoco assistita. Premere e rilasciare molto rapidamente il pulsante di comando.
- Ripristino del dispositivo alle impostazioni predefinite di fabbrica. Consultare *pagina 93*.
- Collegamento a un servizio AXIS Video Hosting System o AXIS Internet Dynamic DNS Service. Per ulteriori informazioni su questi servizi, consultare il Manuale Utente.

## Dati tecnici

### Condizioni di funzionamento

Dispositivi	Temperatura	Umidità
AXIS P1354-E AXIS P1357-E	Da -30 °C a 50 °C con PoE, fino a 40 °C con High PoE	10-100% umidità relativa (con condensa)

### Interruttore di ritardo per l'avvio a freddo

L'alloggiamento utilizzato per questo dispositivo Axis è dotato di Arctic Temperature Control, che viene abilitato impostando su I (ON) l'interruttore di ritardo per l'avvio a freddo. Quando è abilitata, questa funzione controlla il riavvio della telecamera dopo una mancanza di corrente, quando le temperature sono inferiori a 0 °C; la telecamera viene prima riscaldata a circa 0 °C prima di essere inizializzata. Questo evita danni ai modelli di telecamera che contengono parti in movimento.

# AXIS P13-E Series

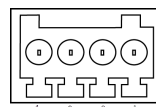
## Consumo energetico

Dispositivi	PoE	High PoE
AXIS P1354-E AXIS P1357-E	max 12,95 W IEEE 802.3af/802.3at Tipo 1 Classe 3	max 25,5 W

## Connettori

### Connettore I/O

Morsettiera a 4 pin



Per un esempio di schema, consultare *Schema delle connessioni alla pagina 86*.

Funzione	Perno	Note	Specifiche
0 V CC (-)	1		
Uscita CC	2	Può essere utilizzato anche per alimentare una periferica ausiliaria. Nota: questo pin può essere usato solo come uscita alimentazione.	3,3 V CC Carico massimo = 50 mA
Ingresso digitale	3	Collegare al pin 1 per attivarlo oppure lasciarlo isolato (scollegato) per disattivarlo.	Da 0 a max 40 V CC
Uscita digitale	4	Collegare al pin 1 quando attiva, isolata (scollegata) quando inattiva. Se utilizzata con un carico induttivo, ad esempio un relè esterno, è necessario collegare un diodo in parallelo al carico per proteggere il dispositivo da sovratensioni.	Da 0 a max 40 V CC, open-drain, 100 mA

### Connettore audio

Connettori audio da 3,5 mm (stereo)

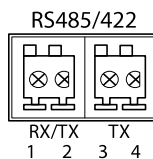


	1 Punta	2 Anello	3 Guaina
Ingresso audio	Ingresso microfono/linea		Terra
Uscita audio	Uscita linea (mono)		Terra

## Connettore RS485/422

Due morsettiere a 2 pin per interfaccia seriale RS485/RS422. La porta seriale può essere configurata per supportare:

- RS485 a due fili, half-duplex
- RS485 a quattro fili, full-duplex
- RS422 a due fili, simplex
- Comunicazione full-duplex punto a punto con RS422 a quattro fili



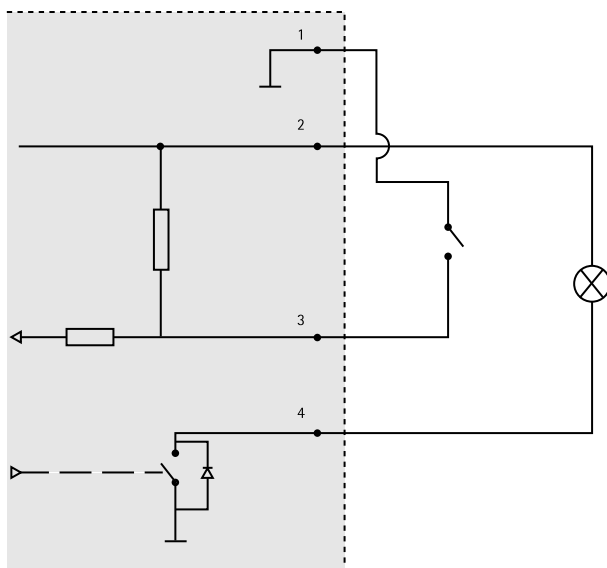
Funzione	Pin	Note
RS485B alt RS485/422 RX(B)	1	Coppia RX per tutte le modalità (RX/TX combinata per RS485 con due cavi)
RS485A alt RS485/422 RX(A)	2	
RS485/RS422 TX(B)	3	Coppia TX per RS422 e RS485 con quattro cavi
RS485/RS422 TX(A)	4	

### Importante

La lunghezza massima del cavo consigliata è di 30 m (98,4 ft).

## Schema delle connessioni

### Connettore I/O



- 1 0 V CC (-)
- 2 Uscita CC 3,3 V, max 50 mA
- 3 Ingresso digitale da 0 a max 40 V CC
- 4 Ingresso digitale da 0 a max 40 V CC, open-drain, 100 mA

## Installazione dell'hardware

### Installare la staffa di montaggio a parete

#### **AWISO**

- Il peso della telecamera è di 3000 g. Controllare che il materiale sia sufficientemente robusto per sostenere tale peso.
- Utilizzare sempre un cavo di rete schermato (STP) adatto all'uso esterno tra il dispositivo Axis e il punto terminale e assicurarsi che tale punto disponga di una corretta messa a terra. Le installazioni dei dispositivi Axis mediante un cavo di rete schermato (STP) e un punto terminale con corretta messa a terra sono state testate per essere conformi ai livelli standard delle norme di immunità di settore, ad esempio la protezione per sovratensioni. Qualsiasi altro metodo di installazione rende nulla la garanzia ed espone a rischi l'unità.

1. Utilizzare la maschera di foratura fornita per preparare una parete o un'asta per l'installazione della staffa a parete.
2. Inserire il cavo di rete attraverso la staffa per il montaggio a parete e attraverso l'adattatore della stessa. Lasciare circa 30 cm di cavo per il collegamento alla telecamera.
3. Installare la staffa a parete su una parete, un soffitto o un'asta mediante viti e connettori appropriati per il materiale (ad esempio legno, metallo, cartongesso, pietra).

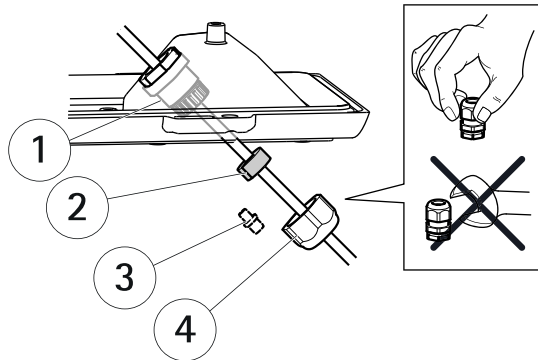
## Passare il cavo di rete attraverso il foro del cavo

### AWISO

L'utilizzo di un pressacavo differente da quello fornito può provocare infiltrazioni di acqua e danni al dispositivo. I cavi devono avere un diametro di 4,0-5,5 mm.

### Nota

Utilizzare l'immagine della panoramica dell'hardware (vedere *pagina 78*) durante l'esecuzione dei passaggi riportati di seguito.



- 1 Pressacavo
- 2 Guarnizione
- 3 Tassello (da scartare)
- 4 Cappuccio

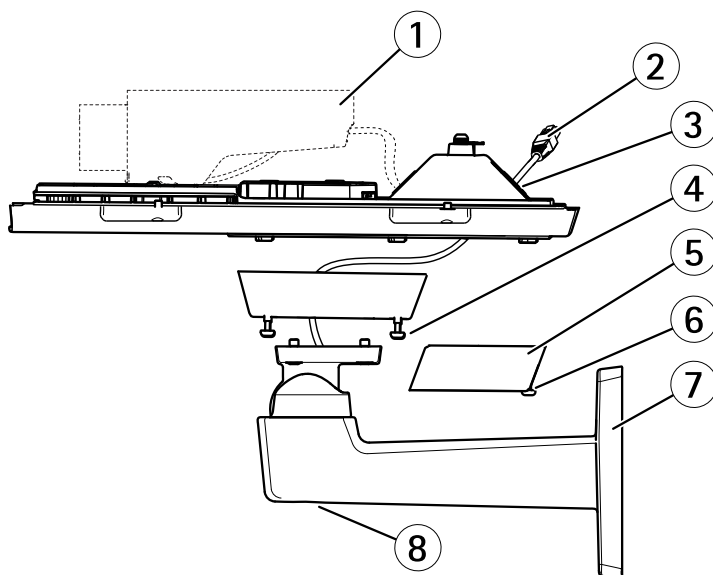
1. Allentare le viti del coperchio del cavo; rimuovere tale coperchio da quello inferiore.
2. Rimuovere il cappuccio, la spina e la guarnizione dal pressacavo.
3. Passare il cavo di rete attraverso il cappuccio.
4. Far scorrere il cavo di rete attraverso la scanalatura sulla guarnizione per attaccare quest'ultima al cavo di rete. Vedere *Connettori alla pagina 84* per informazioni sui requisiti dei cavi di rete.
5. Passare il cavo di rete attraverso il pressacavo.

6. Premere la guarnizione nel pressacavo e fissare saldamente il cappuccio.

### Installazione della telecamera sulla staffa

#### Nota

Per individuare i differenti componenti, vedere le illustrazioni riportate in *Panoramica dell'hardware* alla pagina 78.



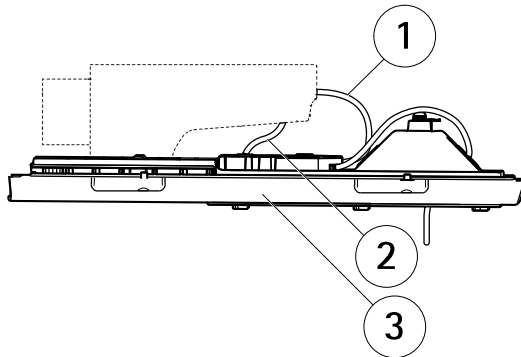
- 1 *Telecamera di rete Axis*
- 2 *Cavo di rete (da instradare attraverso la staffa a parete)*
- 3 *fori dei cavi*
- 4 *Vite della staffa (4x)*
- 5 *Coperchio dei cavi*
- 6 *Vite del coperchio dei cavi (2x)*
- 7 *Staffa a parete*
- 8 *Vite di regolazione della staffa*

1. Installare la telecamera con la copertura inferiore sulla staffa, quindi serrare le viti della staffa.
2. Rimuovere la guarnizione da uno dei fori della copertura inferiore.
3. Fare scorrere il cavo di rete attraverso il foro e collegare la guarnizione al foro.
4. Collegare i cavi, come indicato in *Collegare i cavi*.

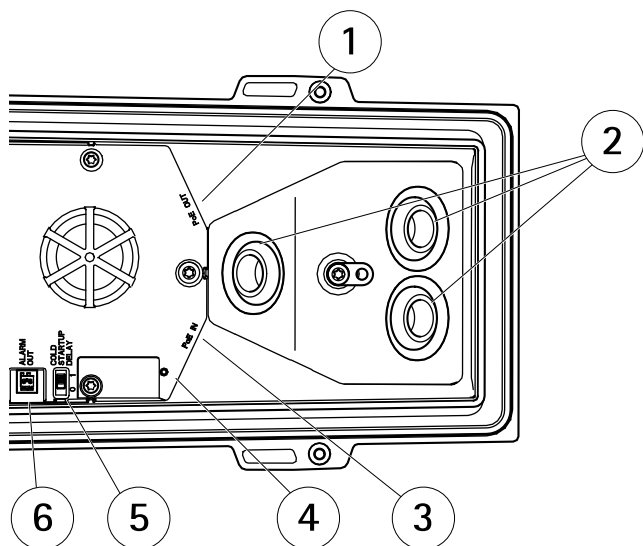


5. Prendere la copertura superiore e fissare il cavo di sicurezza alla linguetta sulla copertura inferiore.
6. Allentare le vite di regolazione della staffa per orientare la telecamera sulla giusta direzione. Vedere *pagina 91* per informazioni sulla visualizzazione del flusso video.  
Regolare la messa a fuoco, vedere *pagina 91*.
7. Montare la copertura superiore. Assicurarsi di serrare le viti del coperchio pochi giri alla volta e a coppie diagonalmente opposte, fino a che non sono tutte serrate. In questo modo è possibile comprimere la guarnizione del coperchio inferiore in modo uniforme. Non serrare subito completamente le viti.
8. Installare il coperchio dei cavi e serrare le viti del coperchio dei cavi.
9. Allentare le viti di regolazione del parasole e regolarlo nella posizione anteriore.

## Collegare i cavi



- 1 Cavi di rete
- 2 Cavo di I/O
- 3 Coperchio inferiore



- 1 Connettore di rete (PoE OUT, connesso alla spedizione)
- 2 fori dei cavi
- 3 Connettore di rete (PoE IN)
- 4 Indicatore LED
- 5 Interruttore Arctic Temperature Control
- 6 Uscita allarme (connesso alla spedizione)

1. Facoltativamente, inserire una scheda SD (non inclusa) nello slot per schede SD. Per memorizzare localmente le immagini riprese dalla telecamera, è necessaria una scheda SD con capacità standard o elevata.
2. Collegare facoltativamente dispositivi esterni di ingresso/uscita. Per informazioni sui pin del connettore, consultare *Connettori alla pagina 84*. Per informazioni sulla preparazione del cavo di rete, vedere *Passare il cavo di rete attraverso il foro del cavo alla pagina 87*. Inserire il cavo attraverso i fori sul coperchio inferiore e alla telecamera.
3. Collegare la telecamera alla rete utilizzando un cavo di rete schermato e il connettore di rete (PoE IN) sul coperchio inferiore. Il cavo di rete e il cavo di I/O tra il coperchio inferiore e la telecamera sono già collegati quando la telecamera viene spedita.
4. Verificare che i LED indichino le condizioni di funzionamento corrette. Per ulteriori informazioni, vedere *Indicatori LED alla pagina 80*.

## Accedere al dispositivo

AXIS IP Utility e AXIS Camera Management sono i metodi consigliati per trovare i dispositivi Axis in rete e assegnare loro un indirizzo IP in Windows®. Queste applicazioni sono entrambe gratuite e possono essere scaricate da [www.axis.com/techsup](http://www.axis.com/techsup)

Il dispositivo può essere utilizzato con la maggior parte dei sistemi operativi e dei browser. I browser consigliati sono

- Internet Explorer® con Windows®
- Safari® con OS X®
- Chrome™ o Firefox® con altri sistemi operativi.

Per ulteriori informazioni sull'utilizzo del dispositivo, consultare la Guida per l'utente disponibile sul sito Web [www.axis.com](http://www.axis.com)

## Regolazione della messa a fuoco

Per regolare lo zoom e la messa a fuoco, attenersi alla seguente procedura:

### Nota

- È consigliabile regolare il più accuratamente possibile la messa a fuoco tramite l'apposita levetta o Focus Assistant prima di avviare la regolazione automatica precisa. Generalmente i risultati migliori si ottengono utilizzando la levetta di regolazione della messa a fuoco.
- Il diaframma deve sempre essere aperto al massimo quando si regola la messa a fuoco. In questo modo, viene utilizzata la minima profondità di campo, offrendo le condizioni migliori per una corretta messa a fuoco.

1. Aprire la pagina iniziale del prodotto e selezionare **Setup (Impostazioni) > Basic Setup (Impostazioni di base) > Focus (Messa a fuoco)**.
2. Nella scheda **Basic (Base)**, fare clic su **Open iris (Aprire diaframma)**. Se il pulsante è inattivo, il diaframma è già aperto.
3. Se la messa a fuoco è già stata impostata, fare clic su **Reset (Reimposta)** per reimpostare la messa a fuoco.
4. Allentare le levette di regolazione dello zoom e della messa a fuoco (consultare *Panoramica dell'hardware alla pagina 78*) sull'obiettivo ruotandole in senso antiorario. Spostare le levette per impostare lo zoom e la messa a fuoco, quindi controllare la qualità dell'immagine nella finestra corrispondente.  
Se la telecamera è montata in una posizione che non consente di controllare l'immagine e di spostare contemporaneamente le levette, usare il Focus Assistant. Consultare .
5. Allentare la levetta dello zoom e la vite di arresto della ghiera di messa fuoco (consultare *Panoramica dell'hardware alla pagina 78*) sull'obiettivo ruotandole in senso antiorario. Spostare la levetta dello zoom e la ghiera di messa a fuoco per impostare lo zoom e la messa a fuoco, quindi controllare la qualità dell'immagine nella finestra corrispondente.

Se la telecamera è montata in una posizione che non consente di controllare l'immagine e di spostare contemporaneamente la levetta dello zoom e la ghiera di messa fuoco, usare il Focus Assistant. Consultare .

6. Riavvitare le levette di zoom e di messa a fuoco.
7. Nella pagina della messa a fuoco, fare clic su **Fine-tune focus automatically (Messa a fuoco regolazione fine automatica)** e aspettare fino a quando la regolazione fine automatica non viene completata.
8. Fare clic su **Enable iris (Abilita diaframma)**. Se il pulsante è inattivo, il diaframma è già abilitato.
9. Se necessario, apportare ulteriori regolazioni nella scheda **Advanced (Avanzate)**. Per ulteriori informazioni, consultare l'aiuto in linea.

### Focus Assistant (Messa a fuoco assistita)

Per regolare la messa a fuoco della telecamera tramite Focus Assistant, seguire le istruzioni riportate nei punti da 1 a 3 a *pagina 91* prima di eseguire le operazioni descritte di seguito.

#### Nota

- Verificare che la scena davanti alla telecamera non cambi durante la regolazione della messa a fuoco (punti 5 e 6). Se si sposta la telecamera o si colloca un dito o un altro oggetto davanti all'obiettivo, sarà necessario ripetere le operazioni descritte nei punti da 3 a 7 di seguito.
  - Se non è possibile evitare movimenti davanti alla telecamera, non utilizzare Focus Assistant.
  - Se non si rilascia il pulsante di comando entro due secondi, viene abilitata la funzione AXIS Dynamic DNS Service (Servizio DNS dinamico) anziché Focus Assistant.
  - È possibile utilizzare Focus Assistant anche se la posizione di installazione della telecamera non consente l'accesso al tasto di comando. Seguire le istruzioni, ma montare la telecamera dopo il passaggio 4 (tenendo premuto il tasto di comando) e saltare il passaggio 7.
1. Installare o collocare la telecamera in un luogo da cui non possa essere spostata.
  2. Allentare la levetta di regolazione dello zoom ruotandola in senso antiorario. Spostare la levetta per impostare il livello di zoom. Riavvitare la levetta dello zoom.
  3. Impostare la telecamera nella posizione corrispondente alla massima distanza di messa a fuoco allentando la levetta di regolazione della messa a fuoco e ruotando la ghiera di messa fuoco in senso orario fino in fondo.
  4. Premere e rilasciare velocemente il pulsante di comando. Se l'indicatore di stato inizia a lampeggiare in verde, significa che Focus Assistant è abilitato. Se l'indicatore di stato lampeggia in rosso o giallo prima che si sia riusciti a regolare l'obiettivo, passare al punto 7 per uscire da Focus Assistant e ripetere le operazioni descritte nei punti da 3 a 7. Per ulteriori informazioni, consultare le note riportate in precedenza.

5. Ruotare delicatamente la ghiera di messa fuoco in senso antiorario fino all'arresto.
6. Infine, ruotare la ghiera di messa a fuoco lentamente in senso orario fino a quando l'indicatore di stato lampeggia in verde o giallo (non in rosso).
7. Per uscire da Focus Assistant, premere nuovamente il tasto di comando. Focus Assistant si disattiva automaticamente dopo 15 minuti.
8. Serrare nuovamente la levetta di regolazione della messa a fuoco.
9. Aprire la pagina Live View (Vista dal Vivo) nel browser e controllare la qualità dell'immagine.
10. Continuare con i punti da 6 a 8 in *pagina 91*.

## Ripristino dei valori predefiniti di fabbrica

### Importante

Il ripristino delle impostazioni di fabbrica deve essere usato con cautela. Un ripristino delle impostazioni di fabbrica consentirà di ripristinare le impostazioni di fabbrica per tutti i parametri, incluso l'indirizzo IP.

### Nota

Gli strumenti per l'installazione e la gestione del software sono disponibili nelle pagine dedicate all'assistenza sul sito Web [www.axis.com/techsup](http://www.axis.com/techsup).

Per ripristinare il dispositivo alle impostazioni predefinite di fabbrica:

1. Scollegare l'alimentazione dal dispositivo.
2. Tenere premuto il pulsante di controllo e ricollegare l'alimentazione. Consultare *Panoramica dell'hardware alla pagina 78*.
3. Tenere premuto il pulsante di controllo per 15-30 secondi fino a quando l'indicatore LED di stato lampeggerà in giallo.
4. Rilasciare il pulsante di comando. Il processo è completo quando il LED di stato diventerà verde. Il dispositivo è stato reimpostato alle impostazioni di fabbrica predefinite. Se nessun server DHCP è disponibile in rete, l'indirizzo IP predefinito è 192.168.0.90.
5. Mediante gli strumenti per l'installazione e la gestione del software, assegnare un indirizzo IP, impostare la password e accedere al flusso video.
6. Ripetere la messa a fuoco del dispositivo.

È anche possibile reimpostare i parametri alle impostazioni predefinite di fabbrica mediante l'interfaccia Web. Andare a **Setup > System Options > Maintenance (Configurazione > Opzioni di sistema > Manutenzione)**.

## Ulteriori Informazioni

Il Manuale per l'Utente è disponibile all'indirizzo [www.axis.com](http://www.axis.com)

## AXIS P13-E Series

---

Visitare il sito all'indirizzo [www.axis.com/techsup](http://www.axis.com/techsup) per verificare se sono stati pubblicati aggiornamenti del firmware per il proprio dispositivo di rete. Per conoscere la versione del firmware installata, andare su **Setup (Impostazioni) > About (Informazioni su)**.

Visitare il Centro di apprendimento Axis alla pagina [www.axis.com/academy](http://www.axis.com/academy) per servizi di formazione utili, webinar, tutorial e guide.

### Informazioni sulla garanzia

Per informazioni sulla garanzia del dispositivo Axis e informazioni ad esso relative, consultare la pagina [www.axis.com/warranty/](http://www.axis.com/warranty/)

## Información de seguridad

Lea esta Guía de instalación con atención antes de instalar el producto. Guarde la Guía de instalación para poder consultarla en otro momento.

### Niveles de peligro

#### **▲PELIGRO**

Indica una situación peligrosa que, si no se evita, provocará lesiones graves o la muerte.

#### **▲ADVERTENCIA**

Indica una situación peligrosa que, si no se evita, puede provocar lesiones graves o la muerte.

#### **▲ATENCIÓN**

Indica una situación peligrosa que, si no se evita, puede provocar lesiones moderadas o leves.

#### **AVISO**

Indica una situación peligrosa que, si no se evita, puede provocar daños materiales.

### Otros niveles de mensaje

#### Importante

Indica información importante que es fundamental para que el producto funcione correctamente.

#### Nota

Indica información útil que ayuda a aprovechar el producto al máximo.

## Instrucciones de seguridad

### **▲ADVERTENCIA**

- El encargado de instalar el producto de Axis debe ser un profesional con experiencia.

### **AVISO**

- El producto de Axis debe utilizarse de acuerdo con la legislación y la normativa locales.
- Almacene el producto de Axis en un entorno seco y ventilado.
- Evite la exposición del producto de Axis a choques o a una fuerte presión.
- No instale el producto en soportes, superficies o paredes inestables.
- Utilice solo las herramientas correspondientes cuando instale el producto de Axis. La aplicación de una fuerza excesiva con herramientas eléctricas puede provocar daños en el producto.
- No utilice limpiadores en aerosol, agentes cáusticos ni productos químicos.
- Limpie con un paño limpio humedecido con agua pura.
- Utilice solo accesorios que cumplan con las especificaciones técnicas del producto. Estos accesorios los puede proporcionar Axis o un tercero.
- Utilice solo piezas de repuesto proporcionadas o recomendadas por Axis.
- No intente reparar el producto usted mismo. Póngase en contacto con el servicio de asistencia técnica de Axis o con su distribuidor de Axis para tratar asuntos de reparación.
- La fuente de alimentación deberá ser enchufada a una toma de corriente instalada cerca del producto y deberá ser fácilmente asequible.

## Transporte

### **AVISO**

- Cuando transporte el producto de Axis, utilice el embalaje original o un equivalente para evitar daños en el producto.

## Batería

Este producto de Axis utiliza una batería de litio BR/CR2032 de 3,0 V como fuente de alimentación del reloj interno en tiempo real. En condiciones normales, esta batería durará un mínimo de cinco años.

Un nivel bajo de batería afectará al funcionamiento del reloj en tiempo real, lo que provocará el restablecimiento de este cada vez que se encienda el producto. Cuando sea necesario sustituir la batería, aparecerá un mensaje de registro en el informe del servidor del producto. Para obtener más información sobre el informe del servidor, consulte las páginas de configuración del producto o póngase en contacto con el servicio de asistencia técnica de Axis.



La batería no debe sustituirse a menos que sea necesario; no obstante, si precisa hacerlo, póngase en contacto con el servicio de asistencia técnica de Axis en [www.axis.com/techsup](http://www.axis.com/techsup) para solicitar ayuda.

### **⚠ADVERTENCIA**

- La sustitución incorrecta de la batería implica riesgo de explosión.
- Sustituya la batería por una batería idéntica u otra batería recomendada por Axis.
- Deseche las baterías usadas de conformidad con la normativa local o las instrucciones del fabricante.



## Guía de instalación

Esta Guía de instalación incluye las instrucciones necesarias para instalar las cámaras de red AXIS P1354-E/P1357-E en su red. Para conocer otros aspectos de uso del producto, consulte el Manual del usuario disponible en [www.axis.com](http://www.axis.com).

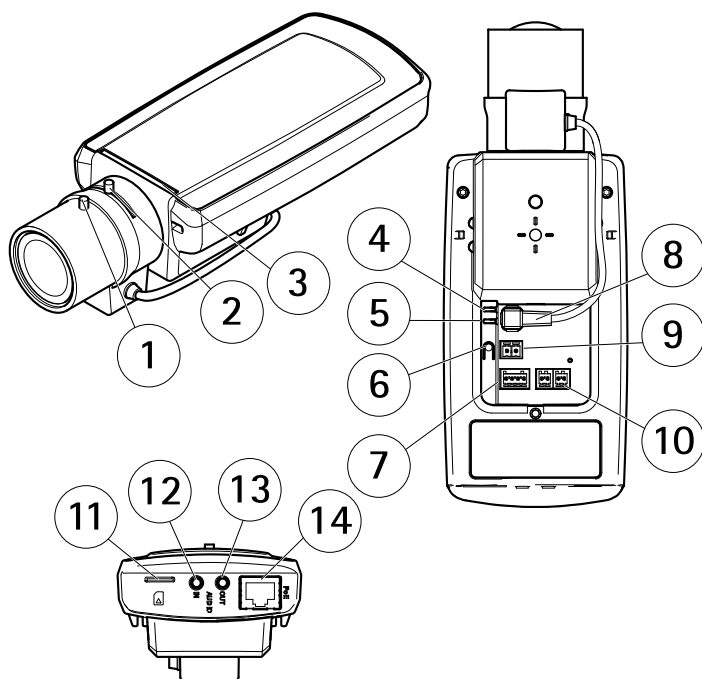
## Pasos de la instalación

1. Asegúrese de que dispone del contenido del paquete, las herramientas y los demás materiales necesarios para la instalación. *Vea página 99.*
2. Estudie la información general del hardware. *Vea página 100.*
3. Estudie las especificaciones. *Vea página 105.*
4. Instale el hardware. *Vea página 109.*
5. Acceda al producto. *Vea página 113.*
6. Establezca el enfoque. *Vea página 113.*

## Contenido del paquete

- Cámara de red
  - AXIS P1354-E
  - AXIS P1357-E
- Conector del bloque de terminales
  - Bloque de terminales de cuatro pines para conectar dispositivos externos al conector de terminales de E/S
  - 2 conectores de terminales de 2 pines STR de 2,5 mm BP AB
- Herramientas
  - Destornillador Torx T20
  - Broca Torx T30
  - Llave Allen
- Materiales impresos
  - Guía de instalación (este documento)
  - Etiquetas adicionales con el número de serie (2x)
  - Clave de autenticación AVHS

## Información general del hardware

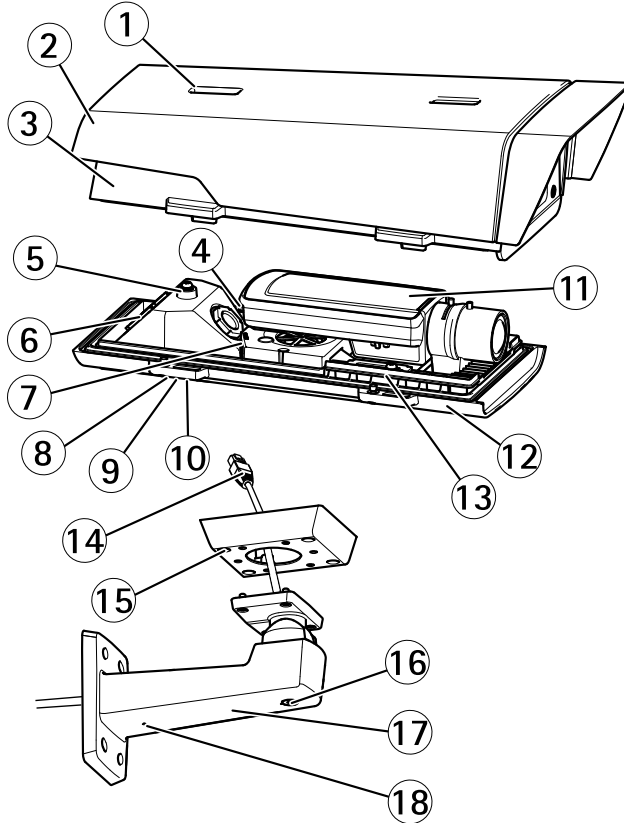


- 1 Palanca de enfoque
- 2 Palanca de zoom
- 3 Indicador LED
- 4 LED de alimentación
- 5 LED de red
- 6 Botón de control
- 7 Bloque de terminales de E/S
- 8 Conector de iris
- 9 Conector de alimentación\*
- 10 RS485/422
- 11 Ranura para tarjetas SD (microSD)
- 12 Entrada de audio
- 13 Salida de audio
- 14 Conector de red PoE

\* No se utiliza en las versiones -E.

**⚠ ATENCIÓN**

Riesgo de lesiones. Los calefactores incluidos en la unidad de cámara pueden estar calientes.



- 1 Ajuste del parasol
- 2 Parasol
- 3 Cubierta superior
- 4 Conector de red (PoE IN)
- 5 Lengüeta para cable de seguridad
- 6 Orificio para cable
- 7 Conector de red (PoE OUT, conectado de fábrica)
- 8 Tornillos de cubierta inferior (4x)
- 9 Cubierta de cable
- 10 Tornillos de cubierta de cable (2x)
- 11 Cámara de red

- 12 *Cubierta inferior*
- 13 *Calefactores*
- 14 *Adaptador de escuadra*
- 15 *Tornillos de escuadra (4x)*
- 16 *Tornillo de ajuste de escuadra*
- 17 *Soporte de pared*
- 18 *Orificio alternativo para cable*

### Indicadores LED

#### Nota

- Se puede configurar el LED de estado para que se apague durante el funcionamiento normal. Para ello, vaya a **Setup > System Options > Ports Et Devices > LED (Configuración > Opciones del sistema > Puertos y dispositivos > LED)** . Vea la ayuda en línea para obtener más información.
- Se puede configurar el LED Estado para que parpadee mientras haya un evento activo.
- Se puede configurar el LED de estado para que parpadee e identifique la unidad. Vaya a **Setup > System Options > Maintenance (Configuración > Opciones del sistema > Mantenimiento)**.

LED de estado	Indicación
Verde	Verde fijo para indicar un funcionamiento normal.
Ámbar	Fijo durante el inicio y al restaurar valores de configuración.

LED de red	Indicación
Verde	Fijo para indicar una conexión a una red de 100 Mbits/s. Parpadea cuando hay actividad de red.
Ámbar	Fijo para indicar una conexión a una red de 10 Mbits/s. Parpadea cuando hay actividad de red.
Apagado	No hay conexión a la red.

LED de alimentación	Indicación
Verde	Funcionamiento normal.
Ámbar	Parpadea en verde/ámbar durante la actualización del firmware.

## Indicadores LED

**Nota**

El LED de carcasa al que se hace referencia en la tabla siguiente se encuentra en la carcasa.

LED de carcasa (ventilador y calefactor)	Indicación
Verde	Funcionamiento normal.
Verde intermitente	Un parpadeo: error del calentador Doble parpadeo: error del ventilador Triple parpadeo: error general Los eventos de alarma se activarán a través del puerto de entrada de la cámara. Póngase en contacto con su distribuidor de Axis para obtener información sobre repuestos y solución de problemas.

## Comportamiento del indicador LED de estado del Asistente de Enfoque

Color	Indicación
Verde	El Asistente de Enfoque está activado. El ajuste del objetivo es óptimo.
Ámbar	La cámara se ha movido o se ha colocado algún objeto delante del objetivo. Salga y reinicie el Asistente de Enfoque. El ajuste del objetivo es menos óptimo.
Rojo	La cámara se ha movido o se ha colocado algún objeto delante del objetivo. Salga y reinicie el Asistente de Enfoque. El ajuste del objetivo es pobre.

## Conectores y botones

Para conocer las especificaciones y las condiciones de funcionamiento, vea *página 105*.

### Conector de red

Conector Ethernet RJ45 con alimentación a través de Ethernet (PoE).

**AVISO**

El producto se conectará mediante un cable de red blindado (STP). Todos los cables que conecten el producto a la red deberán estar blindados para su uso específico. Asegúrese de que los dispositivos de red estén instalados de conformidad con las instrucciones del fabricante. Para obtener información sobre los requisitos normativos, vea *Electromagnetic Compatibility (EMC) on page 2*.

### Conector de E/S

Se utiliza con dispositivos externos combinados, por ejemplo, con alarmas antimanipulación, detección de movimiento, activación de eventos, grabación de intervalos de tiempo y notificaciones de alarma. Además del punto de referencia de 0 V CC y la potencia (salida de CC), el conector de E/S ofrece la interfaz para:

- **Salida digital:** para conectar dispositivos externos como relés y LED. Los dispositivos conectados se pueden activar mediante la Interfaz de programación de aplicaciones (API) VAPIX®, los botones de salida de la página Live View o mediante una regla de acción. La salida se mostrará activa (se indica en **System Options > Ports & Devices** (Opciones del sistema > Puertos y dispositivos)) si el dispositivo de alarma está activado.
- **Entrada digital:** una entrada de alarma para conectar dispositivos que puedan alternar circuitos cerrados y abiertos, como detectores PIR, contactos de puertas y ventanas, detectores de rotura de cristales, etc. Cuando se recibe una señal, el estado cambia y la entrada se vuelve activa (se indica en **System Options > Ports & Devices** (Opciones del sistema > Puertos y dispositivos)).

#### Nota

El conector de E/S se entrega conectado a la carcasa (ventilador/calentador). En caso de fallo del ventilador o del calentador, se activará una señal de entrada en la cámara. Configure una regla de acción en la cámara para determinar qué acción debe activar la señal. Para obtener información sobre eventos y reglas de acción, consulte el Manual de usuario disponible en [www.axis.com](http://www.axis.com).

### Conector de audio

El producto de Axis integra los siguientes conectores de audio:

- **Entrada de audio (rosa):** entrada de 3,5 mm para micrófono mono, o entrada de línea de señal mono.
- **Salida de audio (verde):** salida para audio (nivel de línea) de 3,5 mm que se puede conectar a un sistema de megafonía pública o a un altavoz con amplificador incorporado. Debe utilizarse un conector estéreo para la salida de audio.

En el caso de la entrada de audio, se utiliza el canal izquierdo de una señal estéreo.

### Conector RS485/RS422

Dos bloques de terminales para la interfaz serie RS485/RS422 usada para controlar equipos auxiliares, como dispositivos de movimiento horizontal/vertical.



## Ranura para tarjetas SD

### AVISO

- Riesgo de daños en la tarjeta SD. No utilice herramientas afiladas ni ejerza demasiada fuerza al insertar o retirar la tarjeta SD.
- Riesgo de pérdida de datos. Antes de retirar la tarjeta SD, es preciso desmontarla para evitar que los datos resulten dañados. Para desmontarla, vaya a **Setup > System Options > Storage > SD Card (Configuración > Opciones del sistema > Almacenamiento > Tarjeta SD)** y haga clic en **Unmount (Desmontar)**.

Este producto admite tarjetas microSD/microSDHC/microSDXC (no incluidas).

Para conocer las recomendaciones de tarjeta SD, consulte [www.axis.com](http://www.axis.com).

## Botón de control

Para conocer la ubicación del botón de control, vea *Información general del hardware en la página 100*.

El botón de control se utiliza para lo siguiente:

- Activar el Asistente de Enfoque. Pulse y suelte rápidamente el botón de control
- Restablecer el producto a la configuración predeterminada de fábrica. Vea *página 115*.
- Conectarse a un servicio AXIS Video Hosting System o al Servicio de DNS dinámico de Internet de AXIS. Para obtener más información sobre estos servicios, consulte el Manual del usuario.

## Especificaciones

### Condiciones de funcionamiento

Productos	Temperatura	Humedad
AXIS P1353-E AXIS P1354-E AXIS P1355-E AXIS P1357-E	De -30 °C a 50 °C con PoE, hasta -40 °C con High PoE	Humedad relativa del 10 al 100 % (con condensación)

### Conmutador de retraso de arranque en frío

La carcasa utilizada en este producto de Axis incorpora la función de control de temperatura Ártico, que se activa colocando el conmutador de retraso de arranque en frío en la posición I (Activado). Cuando está activada, esta función controla el reinicio de la cámara después de un corte de alimentación cuando la temperatura es inferior a 0 °C; antes la inicialización, la cámara se

## AXIS P13-E Series

calienta hasta alcanzar una temperatura aproximada de 0 °C. Esta medida impide que se produzcan daños en los modelos de cámara que incluyen piezas móviles.

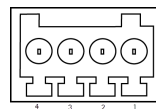
### Consumo

Productos	PoE	High PoE
AXIS P1354-E AXIS P1357-E	12,95 W máx. IEEE 802.3af/802.3at Tipo 1 Clase 3	25,5 W máx.

### Conectores

#### Conector de E/S

Bloque de terminales de 4 pines

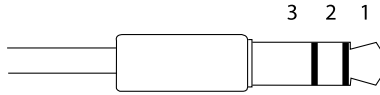


Para ver un ejemplo del diagrama, consulte *Diagramas de conexión en la página 108*.

Función	Pin	Notas	Especificaciones
0 V CC (-)	1		
Salida de CC	2	Se puede utilizar para conectar el equipo auxiliar. Nota: Este pin se puede usar solo como salida.	3,3 V CC Carga máx. = 50 mA
Entrada digital	3	Conéctela al pin 1 para activarla, o bien déjela suelta (desconectada) para desactivarla.	0 a 40 V CC máx.
Salida digital	4	Conectada al pin 1 cuando se activa y suelta (sin conectar) cuando está desactivada. Si se utiliza con una carga inductiva (por ejemplo, un relé), debe conectarse un diodo en paralelo a la carga como protección ante transitorios de tensión.	De 0 a 40 V CC máx., drenaje abierto, 100 mA

**Conector de audio**

Conectores de audio de 3,5 mm (estéreo)

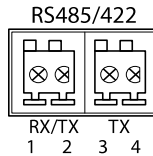


	1 Punta	2 Anillo	3 Manguito
Entrada de audio	Entrada de línea/micrófono		Tierra
Salida de audio	Salida de línea (mono)		Tierra

**Conector RS485/422**

Dos bloques de terminales de 2 pines para la interfaz serie RS485/RS422. El puerto serie puede configurarse para admitir:

- Semidúplex RS485 de dos cables
- Dúplex completo RS485 de cuatro cables
- Simplex RS422 de dos cables
- Dúplex completo RS422 de cuatro cables para comunicación dúplex punto a punto



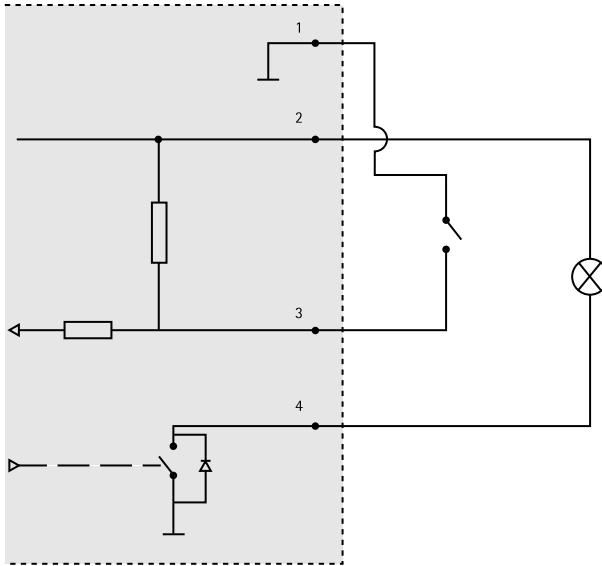
Función	Pin	Notas
RS485B alt RS485/422 RX(B)	1	Par RX para todos los modos (RX/TX combinados para RS485 de dos cables)
RS485A alt RS485/422 RX(A)	2	
RS485/RS422 TX(B)	3	Par TX para RS422 y RS485 de cuatro cables
RS485/RS422 TX(A)	4	

**Importante**

La longitud de cable máxima recomendada es 30 m.

## Diagramas de conexión

### Conector de E/S



- 1 0 V CC (-)
- 2 Salida de CC: 3,3 V, 50 mA máx.
- 3 Entrada digital: de 0 a 40 V CC máx.
- 4 Salida digital: de 0 a 40 V CC máx., colector abierto, 100 mA

## Instalación del hardware

### Instalación de la escuadra de pared

#### AVISO

- La cámara pesa 3000 g. Compruebe que el material sea lo suficientemente resistente como para soportar ese peso.
  - Utilice siempre un cable de red blindado (STP) específico para exteriores entre el producto de Axis y el punto final y asegúrese de que dicho punto esté conectado a tierra correctamente. Las instalaciones de productos de Axis que utilizan un cable de red blindado (STP) y un punto final correctamente conectado a tierra se han probado de conformidad con los niveles de inmunidad exigidos por el sector, tales como la protección contra sobretensión. Cualquier otro método de instalación anulará la garantía y supondrá un riesgo para la unidad.
1. Utilice la plantilla de perforado suministrada para preparar la pared o un poste para instalar la escuadra de pared.
  2. Guíe el cable de red a través de la escuadra de pared y del adaptador de la escuadra. Deje unos 30 cm de cable aproximadamente para conectarlo a la cámara.
  3. Instale la escuadra de pared en una pared, techo o poste utilizando los tornillos y tacos adecuados para el material (por ejemplo, madera, metal, placas de yeso, piedra).

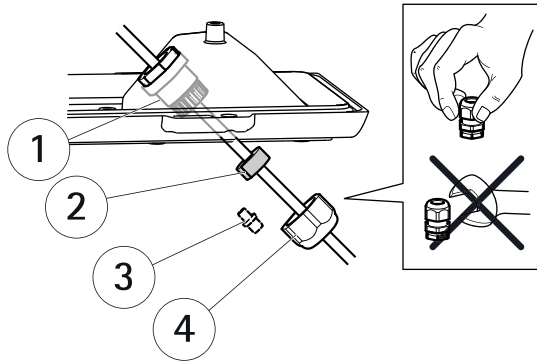
### Tendido del cable de red a través del orificio para cable

#### AVISO

Si utiliza otro prensaestopas distinto del proporcionado, el agua podría filtrarse y dañar el producto. Los cables deben tener un diámetro de 4,0-5,5 mm.

#### Nota

Consulte la imagen de información general del hardware (vea *página 100*) mientras realiza los siguientes pasos.



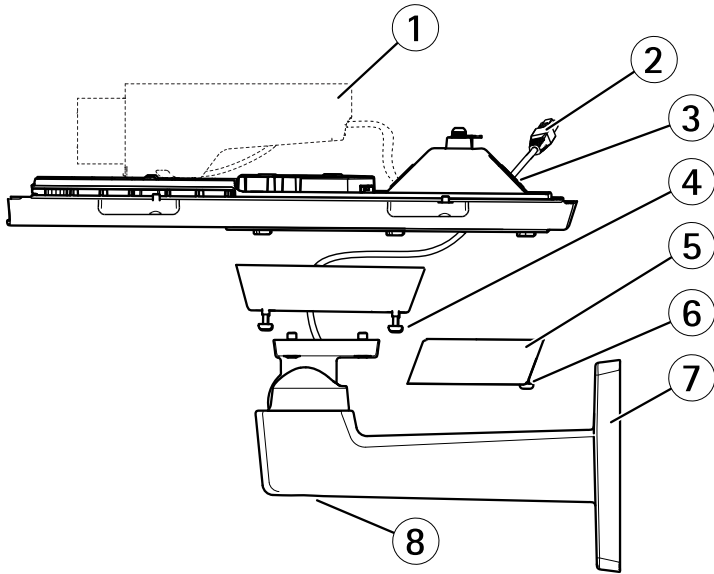
- 1 Prensaestopas
- 2 Junta
- 3 Tapón (desechable)
- 4 Tapa

1. Afloje los tornillos de la cubierta del cable, separe la cubierta del cable de la cubierta inferior.
2. Extraiga la tapa, el tapón y la junta del prensaestopas.
3. Guíe el cable de red a través de la tapa.
4. Deslice el cable de red a través de la ranura de la junta para conectar la junta al cable de red. Vea *Conectores en la página 106* para obtener información sobre los requisitos del cable de red.
5. Guíe el cable de red a través del prensaestopas.
6. Presione la junta en el prensaestopas y atornille la tapa con firmeza.

### Instalación de la cámara en la escuadra

#### Nota

Para localizar los diferentes componentes, consulte las ilustraciones de *Información general del hardware en la página 100*.

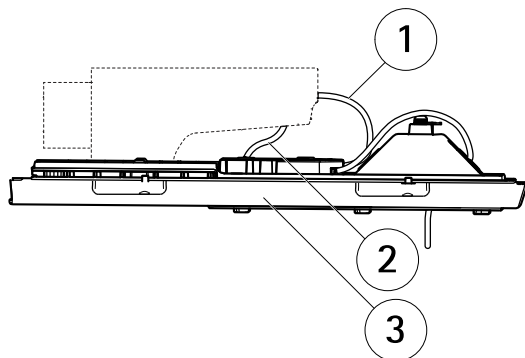


- 1 Cámara de red de Axis
- 2 Cable de red (guiado a través de la escuadra de pared)
- 3 Orificios para cable
- 4 Tornillo de escuadra (4)
- 5 Cubierta de cable
- 6 Tornillo de cubierta de cable (2)
- 7 Soporte de pared
- 8 Tornillo de ajuste de escuadra

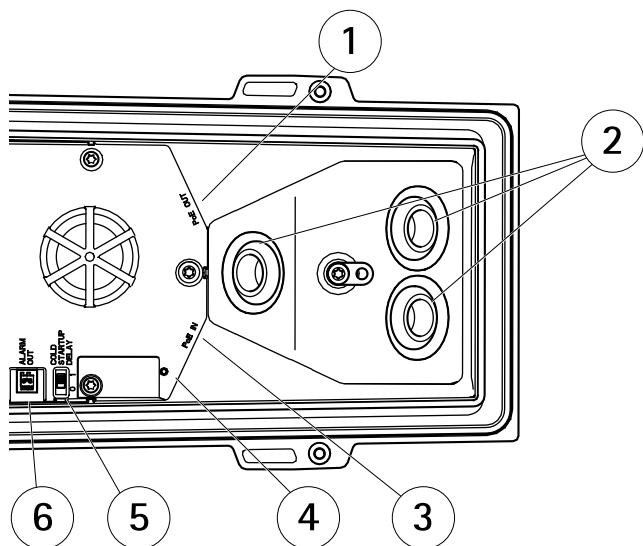
1. Instale la cámara con la cubierta inferior en la escuadra y apriete los tornillos de escuadra.
2. Extraiga la junta de uno de los orificios de la carcasa inferior.
3. Pase el cable de red a través del orificio y conecte la junta del cable al orificio.
4. Conecte los cables, vea *Conexión de los cables*.
5. Tome la cubierta superior y conecte el cable de seguridad a la lengüeta de la cubierta inferior.
6. Afloje el tornillo de ajuste de la escuadra para orientar la cámara hacia la dirección correcta. Consulte *página 113* para obtener información sobre cómo ver la transmisión de vídeo.  
Ajuste el enfoque (vea *página 113*).
7. Instale la cubierta superior. Asegúrese de apretar los tornillos diagonalmente opuestos de la cubierta inferior poco a poco, hasta que estén todos bien apretados. De este modo contribuirá a garantizar que la junta de la cubierta inferior se ha comprimido uniformemente. No apriete del todo los tornillos directamente.

8. Instale la cubierta del cable y apriete los tornillos de esta.
9. Afloje los tornillos de ajuste del parasol y ajústelo en la posición frontal.

### Conexión de los cables



- 1 Cables de red
- 2 Cable de E/S
- 3 Cubierta inferior



- 1 Conector de red (PoE OUT, conectado en la entrega)
- 2 Orificios para cable



- 3 Conector de red (PoE IN)
- 4 Indicador LED
- 5 Interruptor de control de temperatura Ártico
- 6 Salida de alarma (conectado en la entrega)

1. Puede insertar una tarjeta de memoria SD (no incluida) en la ranura para tarjetas SD. Se precisa una tarjeta SD estándar o de gran capacidad para el almacenamiento local de las imágenes de la cámara.
2. Si lo desea, puede conectar dispositivos de entrada/salida externos. Vea *Conectores en la página 106* para obtener información sobre los pines del conector. Vea *Tendido del cable de red a través del orificio para cable en la página 109* para obtener información sobre la preparación del cable de red. Pase los cables a través de los orificios para cables de la cubierta inferior y en la cámara.
3. Conecte la cámara a la red mediante un cable de red blindado y con el conector de red (PoE IN) en la cubierta inferior. El cable de red y el cable de E/S entre la cubierta inferior y la cámara se entregan conectados.
4. Compruebe que los indicadores LED indican las condiciones correctas. Vea *Indicadores LED en la página 102* para conocer más detalles.

## Acceso al producto

Se recomiendan AXIS IP Utility y AXIS Camera Management como métodos para buscar los productos de Axis en la red y asignarles direcciones IP en Windows®. Ambas aplicaciones son gratuitas y pueden descargarse de [www.axis.com/techsup](http://www.axis.com/techsup)

El producto se puede utilizar con la mayoría de los sistemas operativos y navegadores. Los navegadores recomendados son

- Internet Explorer® con Windows®
- Safari® con OS X®
- Chrome™ o Firefox® con otros sistemas operativos.

Para obtener más información sobre el uso del producto, consulte el Manual del usuario, disponible en [www.axis.com](http://www.axis.com).

## Ajuste de enfoque

Para ajustar el zoom y el enfoque, siga las instrucciones detalladas a continuación:

### Nota

- Antes de iniciar el ajuste preciso automático, establezca el enfoque con la mayor precisión posible con la ayuda de la palanca de enfoque o el Asistente de Enfoque. Generalmente, los mejores resultados se obtienen con la palanca de enfoque.
  - Durante el enfoque, el iris debe estar abierto al máximo en todo momento. Con esto se consigue la menor profundidad de campo posible y, por tanto, las condiciones óptimas para el enfoque correcto.
1. Abra la página inicial del producto y vaya a **Setup (Configuración) > Basic Setup (Configuración básica) > Focus (Enfoque)**.
  2. En la pestaña **Basic (Básica)**, haga clic en **Open iris (Abrir iris)**. Si el botón no está activo, esto significa que el iris ya está abierto.
  3. Si el enfoque se ha establecido en alguna ocasión anterior, haga clic en **Reset (Restablecer)** para restablecer el enfoque anterior.
  4. Afloje las palancas de zoom y enfoque (vea *Información general del hardware en la página 100*) del objetivo girándolas en el sentido contrario a las agujas del reloj. Mueva las palancas para establecer el zoom y el enfoque y compruebe la calidad de la imagen en la ventana de imagen.  
Si la cámara está montada de manera que no es posible mirar la imagen y mover las palancas al mismo tiempo, utilice el Asistente de enfoque en lugar de las palancas. Vea .
  5. Afloje la palanca de zoom y el tornillo de bloqueo del anillo de enfoque (vea *Información general del hardware en la página 100*) del objetivo girándolos en el sentido contrario a las agujas del reloj. Mueva la palanca de zoom y el anillo de enfoque para establecer el zoom y el enfoque y compruebe la calidad de la imagen en la ventana de imagen.  
Si la cámara está montada de manera que no es posible mirar la imagen y mover la palanca de zoom y el anillo de enfoque al mismo tiempo, utilice el Asistente de enfoque en su lugar. Vea .
  6. Apriete de nuevo las palancas de zoom y enfoque.
  7. En la página de enfoque, haga clic en **Fine-tune focus automatically (Ajustar el enfoque automáticamente)** y espere a que el ajuste preciso automático finalice.
  8. Haga clic en **Enable iris (Activar iris)**. Si el botón no está activo, esto significa que el iris ya está activado.
  9. En caso necesario, realice ajustes adicionales en la pestaña **Advanced (Avanzada)**. Vea la ayuda en línea para obtener más información.

## Asistente de Enfoque

Para enfocar con la ayuda del Asistente de Enfoque, siga las instrucciones de los pasos 1 a 3 descritos en *página 113* antes de iniciar la secuencia de pasos detallada a continuación.

**Nota**

- La vista delante de la cámara no debe cambiar durante el ajuste del enfoque (pasos 5 y 6). Si la cámara se mueve, o si se coloca un dedo u otro objeto delante del objetivo, será preciso repetir los pasos 3 a 7.
  - Si no es posible evitar el movimiento delante de la cámara, el Asistente de enfoque no debe utilizarse.
  - Si el botón de control no se suelta en dos segundos, se activará el Servicio DNS dinámico de AXIS en lugar del Asistente de Enfoque.
  - Si la cámara está montada de manera que no es posible acceder al botón de control, todavía se puede utilizar el Asistente de Enfoque. En tal caso, siga las instrucciones pero monte la cámara después del paso 4, en esta ocasión presionando el botón de control, y omita el paso 7.
1. Monte o coloque la cámara de modo que no pueda moverse.
  2. Afloje la palanca de zoom girándola en el sentido contrario a las agujas del reloj. Mueva la palanca para establecer el nivel de zoom. Apriete de nuevo la palanca de zoom.
  3. Ponga la cámara en la posición máxima de enfoque lejano; para hacerlo, afloje la palanca de enfoque y gire el anillo de enfoque en el sentido de las agujas del reloj.
  4. Presione y suelte rápidamente el botón de control. Cuando el indicador de estado parpadea en verde, el Asistente de enfoque está activado. Si el indicador de estado parpadea en rojo o ámbar antes de que pueda ajustar el objetivo, omita el paso 7 para salir del Asistente de enfoque y repita los pasos 3 a 7.
  5. Gire lentamente el anillo de enfoque en el sentido contrario a las agujas del reloj hasta que se detenga.
  6. Por último, gire lentamente el anillo de enfoque en el sentido de las agujas del reloj hasta que el indicador de estado parpadee en verde o ámbar (no en rojo).
  7. Para salir del Asistente de Enfoque, presione y suelte rápidamente el botón de control. El Asistente de enfoque se desactiva automáticamente transcurridos 15 minutos.
  8. Apriete de nuevo la palanca de enfoque.
  9. Abra la página Live View (Vista en directo) en el explorador Web y compruebe la calidad de la imagen.
  10. Prosiga con los pasos 6 a 8 descritos en *página 113*.

## Restablecimiento a la configuración predeterminada de fábrica

**Importante**

Hay que tener cuidado al restablecer la configuración predeterminada de fábrica. Todos los valores, incluida la dirección IP, se restablecerán a la configuración predeterminada de fábrica.

### Nota

Las herramientas del software de instalación y gestión están disponibles en las páginas de asistencia técnica en [www.axis.com/techsup](http://www.axis.com/techsup).

Para restablecer el producto a la configuración predeterminada de fábrica:

1. Desconecte la alimentación del producto.
2. Mantenga pulsado el botón de control y vuelva a conectar la alimentación. Vea *Información general del hardware en la página 100*.
3. Mantenga pulsado el botón de control durante 15-30 segundos hasta que el indicador LED de estado parpadee en ámbar.
4. Suelte el botón de control. El proceso finaliza cuando el indicador LED de estado se pone verde. El producto se ha restablecido a la configuración predeterminada de fábrica. Si no hay ningún servidor DHCP disponible en la red, la dirección IP predeterminada es 192.168.0.90.
5. Utilice las herramientas del software de instalación y gestión para asignar una dirección IP, establecer la contraseña y acceder a la transmisión de video.
6. Vuelva a enfocar el producto.

También es posible restablecer los parámetros a los valores predeterminados de fábrica mediante la interfaz web. Para ello, vaya a **Setup > System Options > Maintenance (Configuración > Opciones del sistema > Mantenimiento)**.

## Más información

El Manual de usuario se encuentra disponible en [www.axis.com](http://www.axis.com).

Visite [www.axis.com/techsup](http://www.axis.com/techsup) para comprobar si existe un firmware actualizado disponible para su producto de red. Para ver la versión del firmware instalado actualmente, vaya a **Setup > About (Configuración > Acerca de)**.

Visite el centro de aprendizaje de [www.axis.com/academy](http://www.axis.com/academy) para consultar guías, tutoriales, seminarios web y cursos que pueden resultarle útiles.

## Información de garantía

Para obtener más detalles sobre la garantía del producto de Axis y la información relacionada con ella, consulte [www.axis.com/warranty/](http://www.axis.com/warranty/)

## 安全情報

本製品を設置する前に、このインストールガイドをよくお読みください。インストールガイドは、後で参照できるように保管しておいてください。

### 危険レベル

#### ▲危険

回避しない場合、死亡または重傷につながる危険な状態を示します。

#### ▲警告

回避しない場合、死亡または重傷につながるおそれのある危険な状態を示します。

#### ▲注意

回避しない場合、軽傷または中程度の怪我につながるおそれのある危険な状態を示します。

#### 注記

回避しない場合、器物の破損につながるおそれのある状態を示します。

### その他のメッセージレベル

#### 重要

製品を正しく機能させるために不可欠な重要情報を示します。

#### 注意

製品を最大限に活用するために役立つ有用な情報を示します。

### 安全手順

#### ▲警告

- 本製品の設置は、訓練を受けた専門技術者が行ってください。

#### 注記

- 本製品は、お使いになる地域の法律や規制に準拠して使用してください。
- 本製品は乾燥した換気のよい環境に保管してください。
- 本製品に衝撃または強い圧力を加えないでください。
- 本製品を不安定なブラケット、表面、または壁に設置しないでください。
- 本製品を設置する際には、適切な工具のみを使用してください。電動工具を使用して過剰な力をかけると、製品が損傷することがあります。
- 化学薬品、腐食剤、噴霧式クリーナーは使用しないでください。
- 清掃には、きれいな水に浸した清潔な布を使用してください。
- 製品の技術仕様に準拠したアクセサリーのみを使用してください。これらのアクセサリーは、Axisまたはサードパーティから入手できます。
- Axisが提供または推奨する交換部品のみを使用してください。
- 製品を自分で修理しないでください。修理については、Axisサポートまたは販売代理店にお問い合わせください。
- 製品を自分で修理しないでください。修理については、Axisサポートまたは販売代理店にお問い合わせください。
- 電源アダプターは、製品の近くにある電源コネクタに接続し、簡単にアクセスできる状態にしてください。

### 輸送

#### 注記

- 本製品を運搬する際は、製品が損傷しないよう、元の梱包か同等の梱包を使用してください。

### バッテリー

本製品は、内部リアルタイムクロック (RTC) 用電源として、3.0 V BR/CR2032 リチウムバッテリーを使用します。このバッテリーは、通常条件下で最低5年間使用できます。

バッテリーが低電力状態になると、RTCの動作に影響し、電源を入れるたびにRTCがリセットされます。バッテリーの交換が必要になると、製品のサーバーレポートに

ログメッセージが表示されます。サーバーレポートの詳細については、製品の設定ページを参照するか、Axisサポートまでお問い合わせください。

必要な場合以外はバッテリーを交換しないでください。バッテリーの交換が必要な場合は、Axisサポート ([www.axis.com/techsup](http://www.axis.com/techsup)) までご連絡ください。

### **▲警告**

- バッテリーは、正しく交換しないと爆発する危険があります。
- 交換用バッテリーとしては、同一品またはAxisが推奨するバッテリーのみを使用してください。
- 使用済みバッテリーは、地域の規制またはバッテリーメーカーの指示に従って廃棄してください。





## インストールガイド

このインストールガイドでは、AXIS P1354-E/P1357-Eネットワークカメラをお使いのネットワークにインストールする手順について説明します。製品の使用の詳細については、Axisのホームページ ([www.axis.com](http://www.axis.com)) でユーザーズマニュアルを参照してください

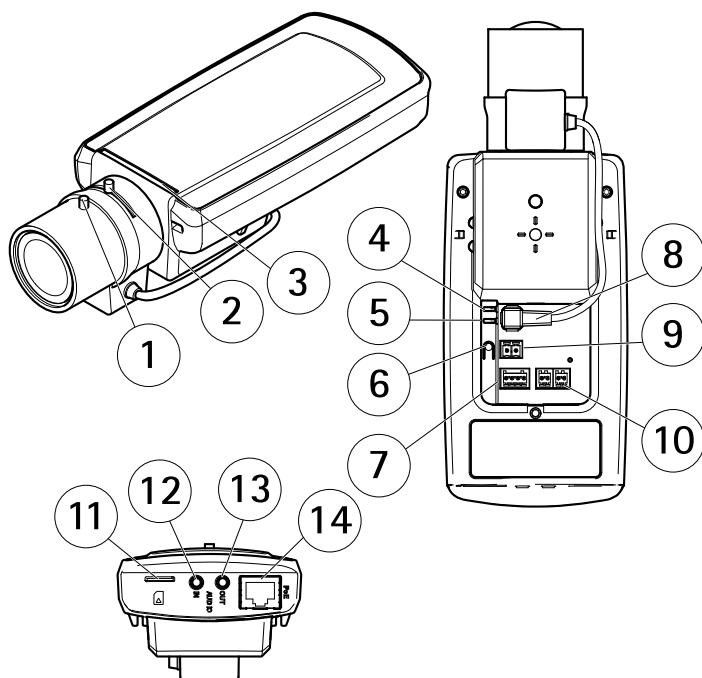
## 設置手順

1. パッケージの内容、ツールなど、設置に必要な物がそろっているかを確認します。121ページを参照してください。
2. ハードウェアの概要を確認します。122ページを参照してください。
3. 仕様を確認します。127ページを参照してください。
4. ハードウェアを設置します。130ページを参照してください。
5. 製品にアクセスします。135ページを参照してください。
6. フォーカスを設定します。135ページを参照してください。

## パッケージの内容

- ネットワークカメラ
  - AXIS P1354-E
  - AXIS P1357-E
- ターミナルブロックコネクター
  - 外部デバイスをI/Oターミナルコネクターに接続する4ピンコネクターブロック
  - 2ピンSTR 2.5 mm BP ABターミナルコネクター×2
- ツール
  - トルクスT20ドライバー
  - トルクスT30スクリュービット
  - 六角レンチ
- 印刷物
  - インストールガイド (本書)
  - 予備のシリアル番号ラベル×2
  - AVHS認証キー

## ハードウェアの概要

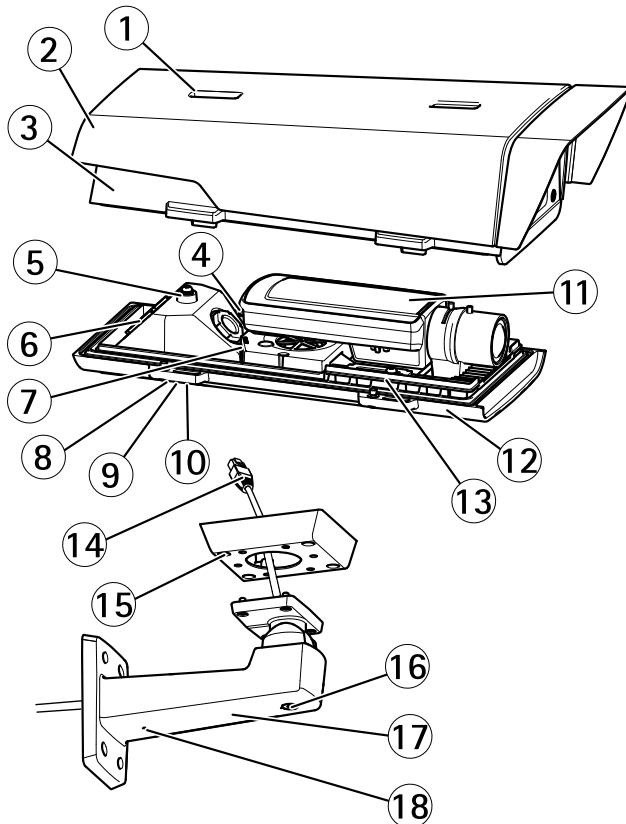


- 1 ピント調節レバー
- 2 ズーム調節レバー
- 3 LEDインジケータ
- 4 電源LED
- 5 ネットワークLED
- 6 コントロールボタン
- 7 I/Oターミナルブロック
- 8 アイリスコネクタ
- 9 電源コネクタ\*
- 10 RS485/422
- 11 SDカードスロット (microSD)
- 12 音声入力
- 13 音声出力
- 14 ネットワークコネクタPoE

\* -Eバージョンでは使用しません。

**▲注意**

損傷の危険があります。ハウジングのヒーターは熱くなる可能性があります。



- 1 サンシールド調節
- 2 サンシールド
- 3 上蓋
- 4 ネットワークコネクタ (PoE入力)
- 5 安全ワイヤータブ
- 6 ケーブル孔
- 7 ネットワークコネクタ (PoE出力、出荷時に接続済み)
- 8 裏蓋ネジ(×4)
- 9 ケーブルカバー
- 10 ケーブルカバーネジ(×2)
- 11 ネットワークカメラ

- 12 裏蓋
- 13 ヒーター
- 14 ブラケットアダプター
- 15 ブラケットネジ(×4)
- 16 ブラケット調節ネジ
- 17 壁面ブラケット
- 18 代替ケーブル孔

## LEDインジケーター

### 注意

- ステータスLEDは、正常動作時に消灯させることができます。設定は、**[Setup - System Options - Ports & Devices - LED] (設定 - システムオプション - ポートとデバイス - LED)**で行います。詳細については、オンラインヘルプを参照してください。
- ステータスLEDは、イベントの発生時に点滅させることができます。
- ステータスLEDを点滅させ、本製品を識別できるように設定することができます。設定は、**[Setup > System Options > Maintenance] (設定 > システムオプション > 保守)**で行います。

ステータスLED	説明
緑	正常動作であれば緑色に点灯。
黄	起動時、設定の復元時に点灯します。

ネットワークLED	説明
緑	100 Mbit/sネットワークに接続している場合、点灯します。ネットワークパケットを送受信した場合、点滅します。
黄	10 Mbit/sネットワークに接続している場合、点灯します。ネットワークパケットを送受信した場合、点滅します。
無点灯	ネットワーク接続なし。

電源LED	説明
緑	正常動作。
黄	ファームウェアアップグレード中は緑と黄の交互点滅。

## LEDインジケーター

### 注意

下記の表で説明しているハウジングLEDはハウジング内にあります。

ハウジングLED (ファンおよびヒーター)	説明
緑	正常動作。
緑: 点滅	1回点滅: ヒーターのエラー 2回点滅: ファンのエラー 3回点滅: 一般エラー アラームイベントはカメラの入力ポートを通してトリガーされます。 スペアパーツおよびトラブルシューティングについては、Axisの販売代理店までお問い合わせください。

## フォーカスアシスタント用ステータスLEDの動作

色	説明
緑	フォーカスアシストが有効。 フォーカスの調整が適切に行われた状態。
黄	カメラが動いたか、レンズの前に物体が置かれました。フォーカスアシスタントを終了し、再度起動してください。 レンズの調節が最適ではありません。
赤	カメラが動いたか、レンズの前に物体が置かれました。フォーカスアシスタントを終了し、再度起動してください。 フォーカスの調整が適切に行われていない状態。

## コネクターとボタン

仕様と動作条件については、127ページを参照してください。

### ネットワークコネクタ

RJ45イーサネットコネクタ、Power over Ethernet (PoE) 対応。

### 注記

本製品は、シールドネットワークケーブル (STP) を使用して接続してください。本製品は、用途に合ったケーブルを使用してネットワークに接続してください。ネットワーク装置がメーカーの指示どおりに設置されていることを確認します。法的要件については、*Electromagnetic Compatibility (EMC) on page 2*を参照してください。

### I/Oコネクタ

外部装置を接続し、カメラに対するいたずらの警報、動体検知、イベントトリガー、低速度撮影、アラーム通知などを使用することができます。I/Oコネクタは、0VDC基準点と電力(DC出力)に加えて、以下のインターフェースを提供します。

- **デジタル出力** — リレーやLEDなどの外部デバイスを接続します。接続されたデバイスは、VAPIX®アプリケーションプログラミングインターフェース (API)、[Live View] (ライブビュー) ページの出力ボタン、アクションルールを使用してアクティブにすることができます。アラームデバイスがアクティブな場合、出力がアクティブと表示されます (**System Options > Port & Devices (システムオプション > ポートとデバイス)** で表示)。
- **デジタル入力** — オープンサーキットとクローズサーキットの切り替えが可能なデバイスを接続するためのアラーム入力。たとえば、PIR、ドア/窓の接触、ガラス破壊検知などです。信号を受け取ると状態が変化し、入力が active になります (**System Options > Ports & Devices (システムオプション > ポートとデバイス)** で表示)。

### 注意

I/Oコネクタは、出荷時に筐体 (ファン/ヒーター) に接続されます。ファンまたはヒーターにエラーが発生すると、カメラで入力信号がトリガーされます。カメラのアクションルールを設定して、その信号でトリガーするアクションを設定してください。イベントとアクションルールについては、Axisのホームページ ([www.axis.com](http://www.axis.com)) でユーザーズマニュアルを参照してください。

### 音声コネクタ

本製品は、以下の音声コネクタを搭載しています。

- **音声入力 (ピンク)** — モノラルマイクロフォンまたはライン入力モノラル信号用3.5 mm入力。
- **音声出力 (緑)** — 3.5 mm音声 (ラインレベル) 出力 (パブリックアドレス (PA) システムまたはアンプ内蔵アクティブスピーカーに接続可能)。音声出力には、ステレオコネクタを使用する必要があります。

音声入力には、ステレオ信号の左チャンネルが使用されます。

## RS485/RS422 コネクタ

パン/チルトデバイスなど補助装置の制御に使用する、RS485/RS422シリアルインターフェース用のターミナルブロック×2

## SDカードスロット

### 注記

- SDカード損傷の危険があります。SDカードの挿入と取り外しの際には、鋭利な工具を使用したり、過剰な力をかけないでください。
- データ損失の危険があります。データが破損しないように、SDカードはマウント解除してから取り外す必要があります。SDカードをアンマウントするには、[Setup] (設定) > [System Options] (システムオプション) > [Storage] (ストレージ) > [SD Card] (SDカード) を選択し、[Unmount] (アンマウント) をクリックします。

本製品は、microSD/microSDHC/microSDXCカードに対応しています (別売)。

推奨するSDカードについては、[www.axis.com](http://www.axis.com)を参照してください

## コントロールボタン

コントロールボタンの位置については、122ページの、ハードウェアの概要を参照してください。

コントロールボタンは、以下の用途で使用します。

- フォーカスアシスタントを有効にする。コントロールボタンを押して、すぐに離します
- 製品を工場出荷時の設定にリセットする。137ページを参照してください。
- AXIS Video Hosting SystemサービスまたはAXIS Internet Dynamic DNSサービスに接続する。これらのサービスの詳細については、ユーザーズマニュアルを参照してください。

## 仕様

### 動作条件

製品	温度	湿度
AXIS P1354-E AXIS P1357-E	-30 °C～50 °C (PoE対応)、 -40 °C の低温で動作 (High PoE 対応)	10～100% RH (結露可)

## コールドスタートアップ遅延スイッチ

本製品の筐体は極寒温度管理機能 (Arctic Temperature Control) を備えており、コールドスタートアップ遅延スイッチをI (ON) に設定すると有効になります。有効にすると、この機能は、気温が0° C未満の場合に停電後にカメラが再起動するとき、カメラがまず0° Cに加熱されてから初期化されるように制御します。これにより、可動部分を有するモデルでの破損を防ぎます。

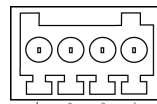
## 消費電力

製品	PoE	High PoE
AXIS P1354-E AXIS P1357-E	最大12.95 W IEEE 802.3af/802.3at Type 1 クラス3	最大25.5 W

## コネクタ

### I/Oコネクタ

4ピンターミナルブロック



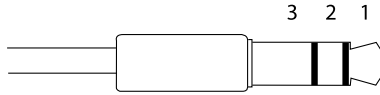
接続例の図については、130ページの、[接続図](#)を参照してください。

機能	ピン	備考	仕様
0 V DC (-)	1		
DC出力	2	補助装置の電源供給に使用できます。 注: このピンは、電源出力としてのみ使用できます。	3.3 V DC 最大負荷 = 50 mA
デジタル入力	3	動作させるにはピン1に接続し、動作させない場合はフロート状態 (未接続) のままにします。	0~40 V DC (最大)
デジタル出力	4	動作させるにはピン1に接続し、動作させない場合はフロート状態 (未接続) にします。誘導負荷 (例: リレー) とともに使用する場合は、過渡電圧から保護するため、ダイオードを負荷と並列に接続する必要があります。	0~40 V DC (最大)、 オープンドレイン、100 mA



音声コネクタ

3.5 mm 音声コネクタ (ステレオ)

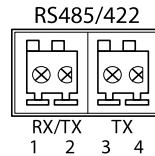


	1 チップ	2 リング	3 スリーブ
音声入力	マイクロフォン/ライン入力		グラウンド
音声出力	ライン出力 (モノラル)		グラウンド

RS485/422 コネクター

RS485/RS422シリアルインターフェース用2ピンターミナルブロック×2。シリアルポートの設定により、次のモードをサポート可能。

- 2ワイヤーRS485半二重
- 4ワイヤーRS485全二重
- 2ワイヤーRS422単方向
- 4ワイヤーRS422全二重ポイントツーポイント通信



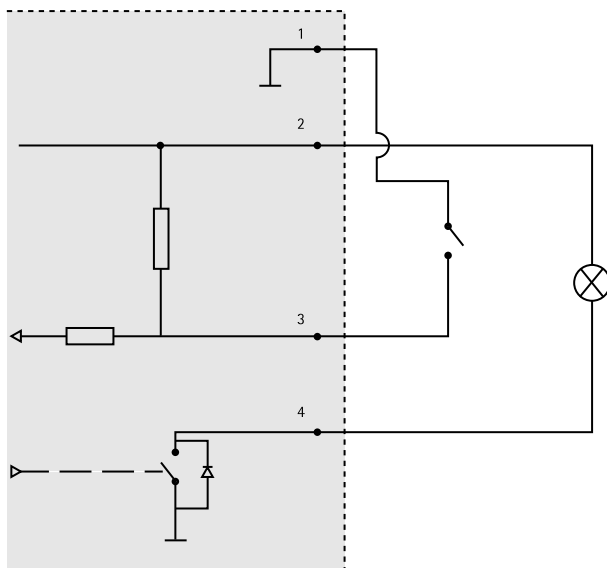
機能	ピン	備考
RS485BまたはRS485/422 RX(B)	1	すべてのモードのRXペア (2ワイヤーRS485のRX/TXペア)
RS485A5BまたはRS485/422 RX(A)	2	
RS485/RS422 TX(B)	3	RS422および4ワイヤーRS485のTXペア
RS485/RS422 TX(A)	4	

**重要**

ケーブルの推奨最大長は30 mです。

## 接続図

### I/Oコネクタ



- 1 0 VDC (-)
- 2 DC出力3.3 V、最大50 mA
- 3 デジタル出力0～最大40 VDC
- 4 デジタル出力0～40 VDC (最大)、オープンドレイン、100 mA

## ハードウェアの設置

### 壁面ブラケットの取り付け

#### 注記

- カメラの重量は3 kgです。この重量を十分に支えられる材質かどうかを確認してください。
- 本製品とエンドポイントは、屋外用のシールドネットワークケーブル (STP) を使用して接続してください。また、エンドポイントが適切に接地されていることを確認してください。シールドネットワークケーブル (STP) と適切に接地されたエンドポイントを使用して本製品を設置した場合、サージ保護など、業界の耐性基準レベルを満たすことが確認済みです。他の方法で取り付けを行うと、保証の対象外となり、装置に問題が発生するおそれがあります。

1. 付属のドリルテンプレートを使用して、壁または支柱に壁面ブラケットを取り付ける準備を行います。
2. ネットワークケーブルを壁面ブラケットとブラケットアダプターに通します。カメラとの接続用に30 cmほどケーブルを残します。
3. 材質(木材、金属、シートロック、石材など)に適したネジとプラグを使用して、壁面ブラケットを壁、天井、または支柱に取り付けます。

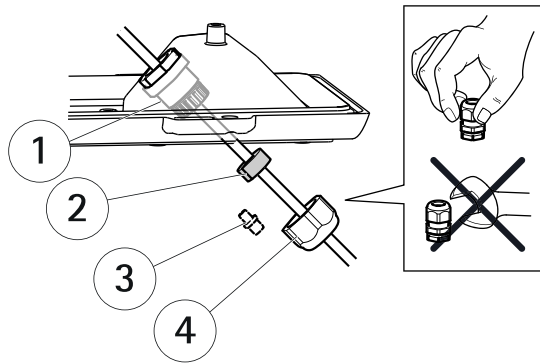
## ネットワークケーブルをケーブル孔に通す

### 注記

付属のケーブルグランド以外は使用しないでください。水が入り込み、製品が破損するおそれがあります。ケーブルは、直径4.0~5.5 mmのものを使用してください。

### 注意

以下の手順に従う際は、ハードウェア概要イメージ(122ページを参照)を参照してください。



- 1 ケーブルグランド
- 2 ガスケット
- 3 プラグ(破棄)
- 4 キャップ

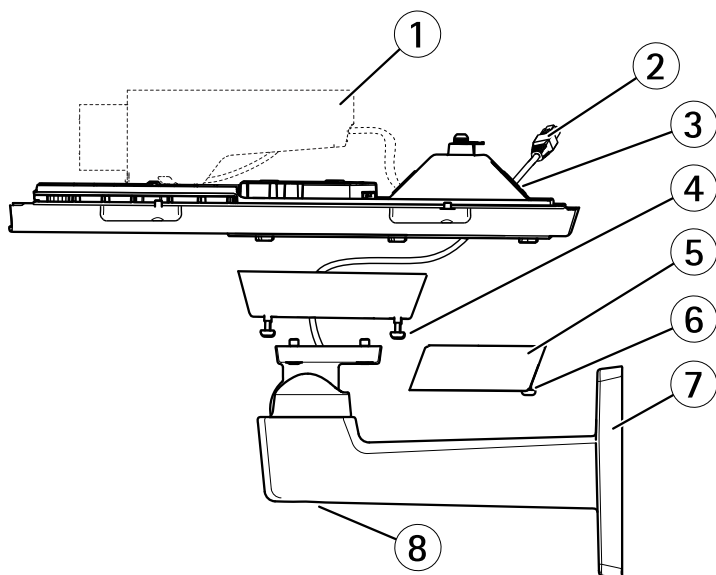
1. ケーブルカバーのネジをゆるめ、ケーブルカバーを裏蓋から取り外します。
2. ケーブルグランドからキャップ、プラグ、ガスケットを取り外します。
3. ネットワークケーブルをキャップに通します。
4. ネットワークケーブルをガスケットの溝に沿ってスライドさせ、ネットワークケーブルにガスケットを取り付けます。ネットワークケーブルの要件については、128ページの、コネクターを参照してください。

5. ネットワークケーブルをケーブルグランドに通します。
6. ガasketをケーブルグランドの中まで押し込み、キャップをしっかりと締めます。

### カメラをブラケットに取り付ける

#### 注意

各 부품の位置については、122ページの、ハードウェアの概要にある図を参照してください。

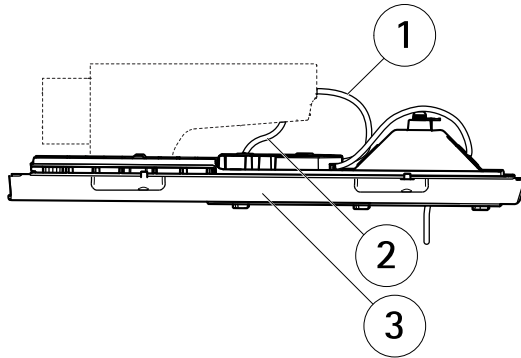


- 1 Axisネットワークカメラ
- 2 ネットワークケーブル (壁面ブラケットに通す)
- 3 ケーブル孔
- 4 ブラケットネジ (×4)
- 5 ケーブルカバー
- 6 ケーブルカバーネジ (×2)
- 7 壁面ブラケット
- 8 ブラケット調節ネジ

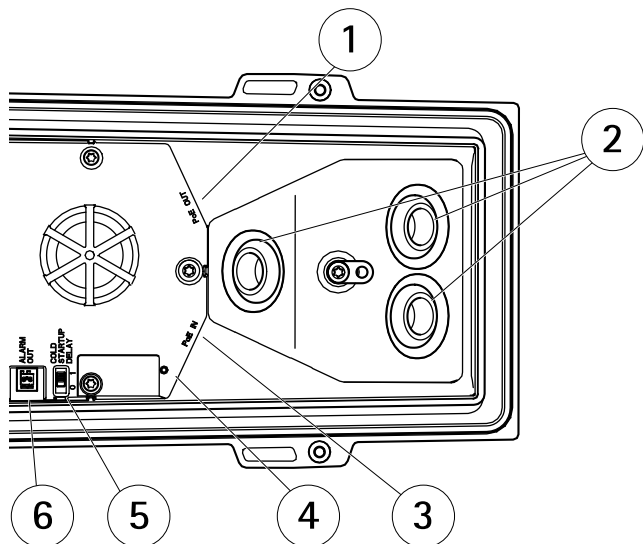
1. カメラの裏蓋をブラケットに取り付け、ガスケットネジを締めます。
2. 裏蓋にある穴のいずれかからガスケットを取り外します。

3. 穴にネットワークケーブルを通し、ケーブルガスを穴にはめ込みます。
4. ケーブルを接続します (ケーブルの接続を参照)。
5. 上蓋を外し、裏蓋のタブに安全ワイヤーを取り付けます。
6. ブラケット調整ネジを緩め、カメラを正しい方向に向けます。ビデオストリームを表示する方法については、135ページを参照してください。  
ピントの調節を行います (135ページを参照)。
7. 上蓋を取り付けます。対角線上にある裏蓋ネジを数回ずつ回し、すべてのネジが締まるまでこれを繰り返します。これにより、裏蓋のガスケットに均等に力が掛かります。ネジを一度で最後まで締め付けしないでください。
8. ケーブルカバーを取り付け、ケーブルカバーのネジを締めます。
9. サンシールド調節ネジをゆるめ、サンシールドを正面位置に調節します。

## ケーブルの接続



- 1 ネットワークケーブル
- 2 I/Oケーブル
- 3 裏蓋



- 1 ネットワークコネクタ (PoE出力、納入時に接続)
- 2 ケーブル孔
- 3 ネットワークコネクタ (PoE入力)
- 4 LEDインジケータ
- 5 極寒温度管理機能 (Arctic Temperature Control) スイッチ
- 6 アラーム出力 (納入時に接続)

1. 必要に応じて、SDメモリーカード (非付属品) をSDカードスロットに挿入します。カメラに映像を保存するには、標準または大容量のSDカードが必要です。
2. 必要に応じて、外部入力/出力装置を接続します。コネクタのピンの詳細については、128ページの、コネクタを参照してください。ネットワークケーブルの準備については、131ページの、ネットワークケーブルをケーブル孔に通すを参照してください。ケーブルを、ケーブル孔を通して裏蓋と本カメラに接続します。
3. シールドネットワークケーブルと裏蓋にあるネットワークコネクタ (PoE IN) を使用して、カメラをネットワークに接続します。裏蓋とカメラの間のネットワークケーブルとI/Oケーブルは、納入時にすでに接続されています。
4. LEDインジケータが正常な状態を示すことを確認します。詳細については、124ページの、LEDインジケータを参照してください。

## 製品へのアクセス

ネットワーク上でAXIS製品を検索したり、Windows®でそれにIPアドレスを割り当てるには、AXIS IP UtilityまたはAXIS Camera Managementの使用をお勧めします。いずれのアプリケーションも無料で、[www.axis.com/techsup](http://www.axis.com/techsup)からダウンロードできます

本製品は、ほとんどのオペレーティングシステムとブラウザでご利用いただけます。推奨ブラウザは以下のとおりです。

- Internet Explorer® (Windows®の場合)
- Safari® (OS X®の場合)
- Chrome™またはFirefox® (その他のオペレーティングシステムの場合)

製品の使用の詳細については、Axisのホームページ ([www.axis.com](http://www.axis.com)) でユーザーズマニュアルを参照してください

## フォーカスの調節

ズームとフォーカスを調整するには、以下の手順に従います。

### 注意

- フォーカス調節レバーかフォーカスアシスタントを使用して、フォーカスができるだけ正確に設定してから、自動微調整を開始します。通常は、フォーカス調節レバーを使用して、最適な結果を得ることができます。
- フォーカスを合わせているときは、常に絞りを最大に開いておく必要があります。これにより被写界深度が最小となり、フォーカス補正に最適な条件になります。

1. 製品のホームページを開き、[Setup - Basic Setup - Focus] (設定 - 基本設定 - フォーカス) を選択します。
2. [Basic] (ベーシック) タブで、[Open iris] (開く) をクリックします。絞りがすでに開いている場合、このボタンは使用できない状態になっています。
3. 以前にフォーカスを設定している場合は、[Reset] (元に戻す) をクリックしてバックフォーカスのリセットを行います。
4. レンズのズーム調節レバーとピント調節レバー (122ページの、ハードウェアの概要を参照) を、反時計回りに回してゆるめます。レバーを動かしてズームとフォーカスを調節し、映像ウィンドウで画質を確認します。  
映像を見ながらレバーを動かせるようにカメラが設置されていない場合は、フォーカスアシスタントを使用します。
5. ズーム調節レバーとピント調節レバーを締め直します。
6. [Focus] (フォーカス) ページで、[Fine-tune focus automatically] (オートフォーカス微調整) をクリックして、自動微調整の完了を待ちます。
7. [Enable iris] (絞り有効) をクリックします。絞りがすでに有効な場合、このボタンは使用できない状態になっています。

- 必要に応じて、**[Advanced] (高度な設定)** タブでさらに調整を行います。詳細については、オンラインヘルプを参照してください。

### フォーカスアシスタント

フォーカスアシスタントを使用してフォーカスを合わせる場合は、以下の手順を開始する前に、135ページの手順1～3の指示にしたがってください。

#### 注意

- フォーカス調節中(手順5と6)はカメラの前の被写体に変化しないようにしてください。カメラが動いたり、レンズの前に指やその他の物体が入り込んだ場合は、下の手順3～7を繰り返す必要があります。
  - カメラの前で被写体が動いてしまう場合は、フォーカスアシスタントを使用しないでください。
  - コントロールボタンを2秒以上押し続けると、フォーカスアシスタントの代わりにAXIS Dynamic DNS Serviceが使用できるようになります。
  - コントロールボタンに手が届かない場所にカメラを設置する場合でも、フォーカスアシスタントを使用できません。手順4までは手順に従い、コントロールボタンを押してからカメラを設置し、手順7はスキップします。
- カメラが動かないようにしっかりと固定します。
  - ズーム調節レバーを反時計回りに回してゆるめます。レバーを動かしてズーム倍率を設定します。ズーム調節レバーを締め直します。
  - フォーカス調節レバーをゆるめてフォーカスリングを時計方向にいっぱいまで回し、最も離れた位置にフォーカスを合わせます。
  - コントロールボタンを押して、すぐに離します。ステータスLEDが緑色に点滅して、フォーカスアシスタントが有効になります。レンズの調節が可能になる前にステータスLEDが赤または黄色に点滅する場合は、手順7に従ってフォーカスアシスタントを終了してから、手順3～7を繰り返してください。
  - フォーカスリングを反時計方向にいっぱいまでゆっくりと回します。
  - 最後に、ステータスLEDが緑または黄色(赤以外)に点滅するまでフォーカスリングを時計方向にゆっくりと回します。
  - コントロールボタンを押し、フォーカスアシスタントを終了します。フォーカスアシスタントは15分後に自動的にオフになります。
  - フォーカス調節レバーを締め直します。
  - Webブラウザで [Live View] (ライブビュー) ページを開き、映像の質を確認します。
  - 135ページの手順6～8に従います。



## 工場出荷時の設定にリセットする

### 重要

工場出荷時の設定へのリセットは慎重に行ってください。工場出荷時の設定へのリセットを行うと、IPアドレスを含むすべての設定が工場出荷時の値にリセットされます。

### 注意

[www.axis.com/techsup](http://www.axis.com/techsup)のサポートページに、インストール・管理ソフトウェアツールが用意されています。

本製品を工場出荷時の設定にリセットするには、以下の手順を実行します。

1. 本製品の電源を切ります。
2. コントロールボタンを押し続けながら電源を再投入します。「122ページの、ハードウェアの概要」を参照してください。
3. ステータスLEDインジケータが黄色に点滅するまで、コントロールボタンを15～30秒間押し続けます。
4. コントロールボタンを離します。プロセスが完了すると、ステータスLEDが緑色に変わります。これで本製品は工場出荷時の設定にリセットされました。ネットワーク上に利用可能なDHCPサーバーがない場合、デフォルトのIPアドレスは192.168.0.90になります。
5. インストール・管理ソフトウェアツールを使用して、IPアドレスの割り当て、パスワードの設定、ビデオストリームへのアクセスを行います。
6. 本製品のフォーカスを調節します。

Webインターフェースを使用して、各種パラメーターを工場出荷時の設定に戻すこともできます。**[Setup - System Options - Maintenance] (設定 - システムオプション - 保守)** を選択します。

## 関連情報

ユーザーズマニュアルは、[www.axis.com](http://www.axis.com)で入手できます。

[www.axis.com/techsup](http://www.axis.com/techsup)にアクセスして、ご使用のネットワーク製品の新しいファームウェアがリリースされていないかを確認してください。現在インストールされているファームウェアのバージョンを確認するには、**[Setup - About] (設定 - バージョン情報)** を参照してください。

Axisラーニングセンター ([www.axis.com/academy](http://www.axis.com/academy)) にアクセスしてください。役に立つトレーニング、ウェブセミナー、チュートリアル、ガイドをご用意しています。

### 保証情報

Axisの製品保証と関連情報については、[www.axis.com/warranty/](http://www.axis.com/warranty/)をご覧ください



Installation Guide

AXIS P13-E Series

© Axis Communications AB, 2014 - 2015

Ver. M2.2

Date: September 2015

Part No. 1494274