

AXIS Q6055-C PTZ Dome Network Camera

Installation Guide

English

EN

France: Français

FR

Deutschland: Deutsch

DE

Italia: Italiano

IT

España: Español

ES

日本: 日本語

JA

中文: 简体中文

ZH

Legal considerations

Video surveillance can be regulated by laws that vary from country to country. Check the laws in your local region before using this product for surveillance purposes.

This product includes the following licences:

- one (1) H.264 decoder license
- To purchase further licenses, contact your reseller.

Liability

Every care has been taken in the preparation of this document. Please inform your local Axis office of any inaccuracies or omissions. Axis Communications AB cannot be held responsible for any technical or typographical errors and reserves the right to make changes to the product and manuals without prior notice. Axis Communications AB makes no warranty of any kind with regard to the material contained within this document, including, but not limited to, the implied warranties of merchantability and fitness for a particular purpose. Axis Communications AB shall not be liable nor responsible for incidental or consequential damages in connection with the furnishing, performance or use of this material. This product is only to be used for its intended purpose.

Intellectual property rights

Axis AB has intellectual property rights relating to technology embodied in the product described in this document. In particular, and without limitation, these intellectual property rights may include one or more of the patents listed at axis.com/patent and one or more additional patents or pending patent applications in the US and other countries.

This product contains licensed third-party software. See the menu item "About" in the product's user interface for more information.

This product contains source code copyright Apple Computer, Inc., under the terms of Apple Public Source License 2.0 (see opensource.apple.com/apsl). The source code is available from developer.apple.com/bonjour/

Equipment modifications

This equipment must be installed and used in strict accordance with the instructions given in the user documentation. This equipment contains no user-serviceable components. Unauthorized equipment changes or modifications will invalidate all applicable regulatory certifications and approvals.

Trademark acknowledgements

AXIS COMMUNICATIONS, AXIS and VAPIX are registered trademarks or trademark applications of Axis AB in various jurisdictions. All other company names and products are trademarks or registered trademarks of their respective companies.

Apple, Apache, Bonjour, Ethernet, Internet Explorer, Linux, Microsoft, Mozilla, Real, SMPTE, QuickTime, UNIX, Windows, and WWW are registered trademarks of the respective holders. Java and all Java-based trademarks and logos are trademarks or registered trademarks of Oracle and/or its affiliates. The UPnP Word Mark and UPnP Logo are trademarks of Open Connectivity Foundation, Inc. in the United States or other countries.



SD, SDHC, and SDXC Logos are trademarks of SD-3C LLC. SD, SDHC and SDXC are trademarks or registered trademarks of SD-3C, LLC in the United States, other countries or both.

Regulatory information

Europe



This product complies with the applicable CE marking directives and harmonized standards:

- Electromagnetic Compatibility (EMC) Directive 2014/30/EU. See *Electromagnetic compatibility (EMC) on page 4*.
- Low Voltage Directive (LVD) 2014/35/EU. See *Safety on page 5*.
- Restriction of Hazardous Substances (RoHS) Directive 2011/65/EU, including any amendments, updates or replacements. See *Disposal and recycling on page 5*.

A copy of the original declaration of conformity may be obtained from Axis Communications AB. See *Contact information on page 5*.

Electromagnetic compatibility (EMC)

This equipment has been designed and tested to fulfill applicable standards for:

- Radio frequency emission when installed according to the instructions and used in its intended environment.
- Immunity to electrical and electromagnetic phenomena when installed according to the instructions and used in its intended environment.

USA

This device complies with part 15 of the FCC Rules. Operation is subject to the following two conditions:

1. This device may not cause harmful interference, and
2. this device must accept any interference received, including interference that may cause undesired operation.

This equipment has been tested using a shielded network cable (STP) and found to comply with the limits for a Class A digital device, pursuant to part 15 of the FCC Rules. These limits are designed to provide reasonable protection against harmful interference when the equipment is operated in a commercial environment. This equipment generates, uses, and can radiate radio frequency energy and, if not installed and used in accordance with the instruction manual, may cause harmful interference to radio communications. Operation of this equipment in a residential area is likely to cause harmful interference in which case the user will be required to correct the interference at his own expense. The product shall be connected using a shielded network cable (STP) that is properly grounded.

Contact information

Axis Communications Inc.
300 Apollo Drive
Chelmsford, MA 01824
United States of America
Tel: +1 978 614 2000

Canada

This digital apparatus complies with CAN ICES-3 (Class A). The product shall be connected using a shielded network cable (STP) that is properly grounded. Cet appareil numérique est conforme à la norme CAN NMB-3 (classe A). Le produit doit être connecté à l'aide d'un câble réseau blindé (STP) qui est correctement mis à la terre.

Europe

This digital equipment fulfills the requirements for RF emission according to the Class A limit of EN 55032. The product shall be connected using a shielded network cable (STP) that is properly grounded. Notice! This is a Class A

product. In a domestic environment this product may cause RF interference, in which case the user may be required to take adequate measures.

Australia/New Zealand

This digital equipment fulfills the requirements for RF emission according to the Class A limit of AS/NZS CISPR 32. The product shall be connected using a shielded network cable (STP) that is properly grounded. Notice! This is a Class A product. In a domestic environment this product may cause RF interference, in which case the user may be required to take adequate measures.

Japan

この装置は、クラスA 情報技術装置です。この装置を家庭環境で使用すると電波妨害を引き起こすことがあります。この場合には使用者が適切な対策を講ずるよう要求されることがあります。本製品は、シールドネットワークケーブル(STP)を使用して接続してください。また適切に接地してください。

Safety

This product complies with IEC/EN/UL 60950-1 and IEC/EN/UL 60950-22, Safety of Information Technology Equipment. The product shall be grounded either through a shielded network cable (STP) or other appropriate method.

The power supply shall be specified as a Limited Power Source (LPS) according to clause 2.5 of IEC/UL 60950-1 or CEC/NEC Class 2 source of supply as defined in the Canadian Electrical Code, CSA C22.1 and National Electrical Code, ANSI/NFPA 70.



In areas where the temperature is above 60 °C (140 °F), the product shall be placed in a restricted access location.

Disposal and recycling

When this product has reached the end of its useful life, dispose of it according to local laws and regulations. For information about your nearest designated collection point, contact your local authority responsible for waste disposal. In accordance with local legislation, penalties may be applicable for incorrect disposal of this waste.

Europe



This symbol means that the product shall not be disposed of together with household or commercial waste. Directive 2012/19/EU on waste electrical and electronic equipment (WEEE) is applicable in the European Union member states. To prevent potential harm to human health and the environment, the product must be disposed of in an approved and environmentally safe recycling process. For information about your nearest designated collection point, contact your local authority responsible for waste disposal. Businesses should contact the product supplier for information about how to dispose of this product correctly.

This product complies with the requirements of Directive 2011/65/EU and 2015/863 on the restriction of the use of certain hazardous substances in electrical and electronic equipment (RoHS).

China



This product complies with the requirements of SJ/T 11364-2014, Marking for the restriction of hazardous substances in electrical and electronic products.

有毒有害物质或元素						
部件名称	铅 (Pb)	汞 (Hg)	镉 (Cd)	六价铬 (Cr-(VI))	多溴苯 (PB-B)	多溴二苯醚 (PB-DE)
电气实装部分	X	0	0	0	0	0
<p>0: 表示该有毒有害物质在该部件均质材料中的含量均在GB/T 26572标准规定的限量要求以下。</p> <p>X: 表示该有毒有害物质至少在该部件的某一均质材料中的含量超出GB/T 26572标准规定的限量要求。</p>						

Contact information

Axis Communications AB
Emdälavägen 14
223 69 Lund
Sweden

Tel: +46 46 272 18 00

Fax: +46 46 13 61 30

axis.com

Warranty information

For information about Axis' product warranty and thereto related information, go to axis.com/warranty

Support

Should you require any technical assistance, please contact your Axis reseller. If your questions cannot be answered immediately, your reseller will forward your queries through the appropriate channels to ensure a rapid response. If you are connected to the Internet, you can:

- download user documentation and software updates
- find answers to resolved problems in the FAQ database, search by product, category, or phrase
- report problems to Axis support staff by logging in to your private support area
- chat with Axis support staff
- visit Axis Support at axis.com/support

Learn more!

Visit Axis learning center axis.com/academy for useful trainings, webinars, tutorials and guides.

Package contents

- AXIS Q6055-C PTZ Dome Network Camera
- Clear dome cover (premounted)
- AXIS T8607 Media Converter Switch
- Multicable (IP66), 7 m (23 ft)
- Printed materials
 - Installation Guide (this document)
 - Extra serial number label (2x)
 - AVHS Authentication key

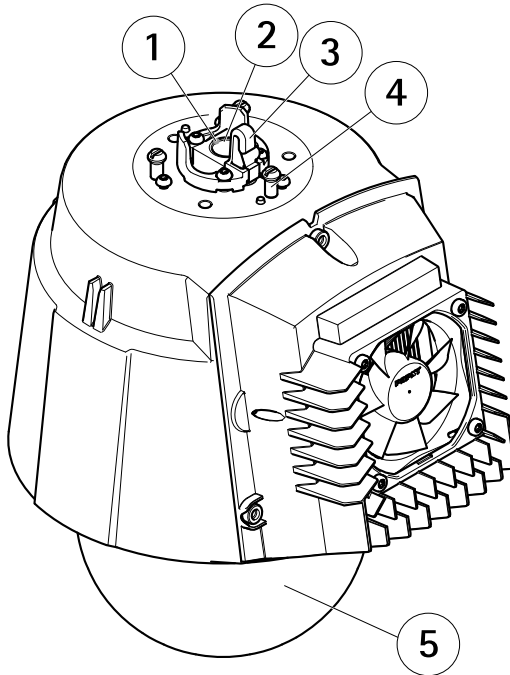
AXIS Q6055-C PTZ Dome Network Camera

Hardware overview

For specifications of the hardware components, see *Specifications* on page 20.

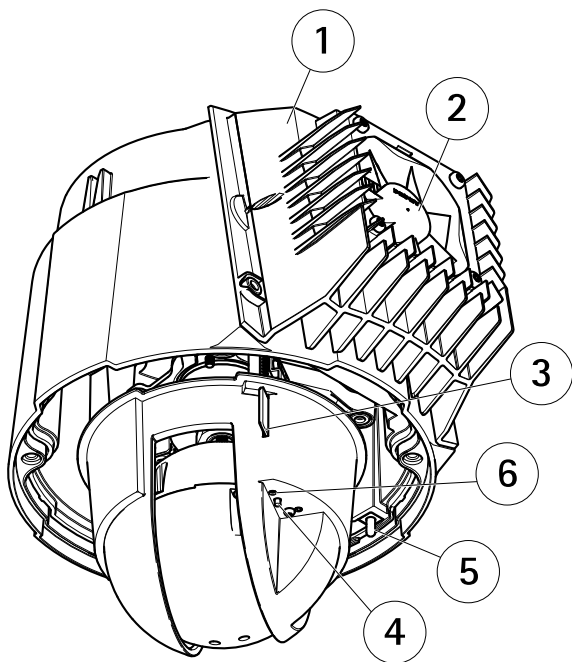
NOTICE

Make sure the dome is attached in operation mode, otherwise focus may be affected.



Top view

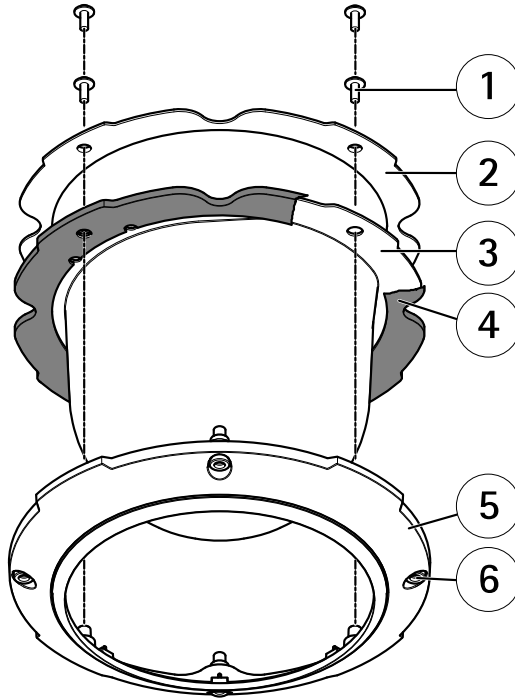
- 1 Alignment indicator
- 2 Multiconnector
- 3 Hook for safety wire
- 4 Unit holder (3x)
- 5 Dome



Bottom view

- 1 Cooling system
- 2 Fan
- 3 SD card slot (SDHC)
- 4 Control button
- 5 Power button (for Factory Default only)
- 6 Status LED indicator

AXIS Q6055-C PTZ Dome Network Camera



- 1 Dome bracket screw PH2 (4x)
- 2 Dome bracket
- 3 Dome cover
- 4 Rubber gasket
- 5 Dome ring
- 6 Dome ring screw T30 (4x)

How to install the product

Read all the instructions before installing the product. Some installation steps would benefit from being completed together because they require removal of the dome cover.

NOTICE

- Due to local regulations or the environmental and electrical conditions in which the product is to be used, a shielded network cable (STP) may be appropriate or required. All cables connecting the product to the network and that are routed outdoors or in demanding electrical environments shall be intended for their specific use. Make sure that the network devices are installed in accordance with the manufacturer's instructions. For information about regulatory requirements, see *Regulatory information on page 4*.
- Mount the product with the dome cover facing downward.
- The product has a dehumidifying membrane for maintaining low humidity levels inside the dome. To avoid condensation, do not disassemble the product in rain or damp conditions.
- Be careful not to scratch, damage or leave fingerprints on the dome cover because this could decrease image quality. If possible, keep the protective plastic on the dome cover until the installation is complete.

The product can be mounted with the cables routed through or along the wall or roof.

Recommended tools

- Wire stripping tool (cable connecting)
- Philips screwdriver PH2 (dome replacement)
- Torx® screwdriver T20 (cleaning of the outer heat sink when necessary)
- Torx® screwdriver T30 (dome cover removal, bracket adapter AXIS T91A, dome replacement)
- Diagonal pliers (cables)

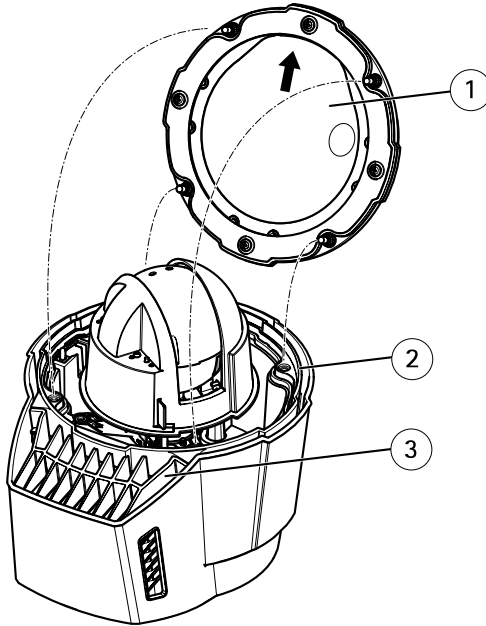
How to replace the dome cover (optional)

The premounted clear dome cover can be replaced if you want to use a smoked dome cover or if the dome cover is scratched or damaged. Smoked dome covers and spare clear dome covers can be purchased from your Axis reseller.

1. Loosen the dome ring screws and remove the dome cover.
2. Remove the dome bracket screws and remove the dome bracket and the dome cover from the dome ring.
3. Make sure the rubber gasket is fitted correctly on the dome cover.
4. Align the bulge on the dome cover with one of the logotypes on the dome ring.
5. Attach the dome bracket and the dome cover to the dome ring and tighten the screws (torque 1.2 Nm).

AXIS Q6055-C PTZ Dome Network Camera

6. To install an SD card, see *How to install an SD card (optional)* on page 12.
7. To attach the dome cover to the top cover, align the bulge on the dome cover with the cooling system on the camera unit and tighten the screws (torque 1.5 Nm).



- 1 Dome cover
- 2 Top cover
- 3 Cooling system

How to install an SD card (optional)

Installing an SD card is optional. A standard or high capacity SD card (not included) can be used to store recordings locally in the product.

1. Loosen the dome ring screws and remove the dome cover.
2. Insert an SD card into the SD card slot.
3. To attach the dome cover to the top cover, align the bulge on the dome cover with the heater on the camera unit and tighten the screws (torque 1.5 Nm).

How to install AXIS T8607 Media Converter Switch

The AXIS T8607 Media Converter Switch enables the multicable to send power from the power supply (sold separately), and to send and receive data to and from external alarm devices and the network.

For all information on installing the AXIS T8607 Media Converter Switch, see the separate installation guide supplied with that product.

How to install the network camera

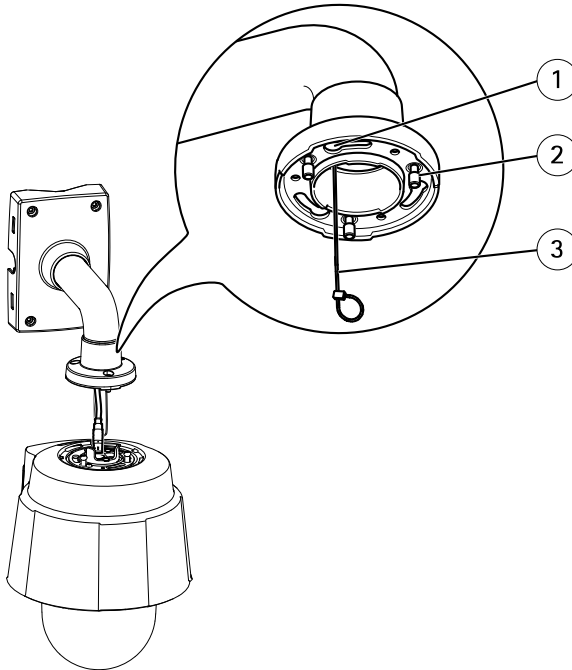
NOTICE

To comply with the IP66-rated design of the camera and maintain the IP66 protection, the supplied multiconnector cable shall be used.

Remove the protective packaging between the camera and the sunshield before installing the camera.

1. Install the selected bracket according to the instructions supplied with the bracket. If drilling is required, make sure to use drill bits, screws, and plugs that are appropriate for the material.
2. Route the multicable through the holes in the mounting bracket.
3. Secure the camera using the supplied safety wire.

AXIS Q6055-C PTZ Dome Network Camera

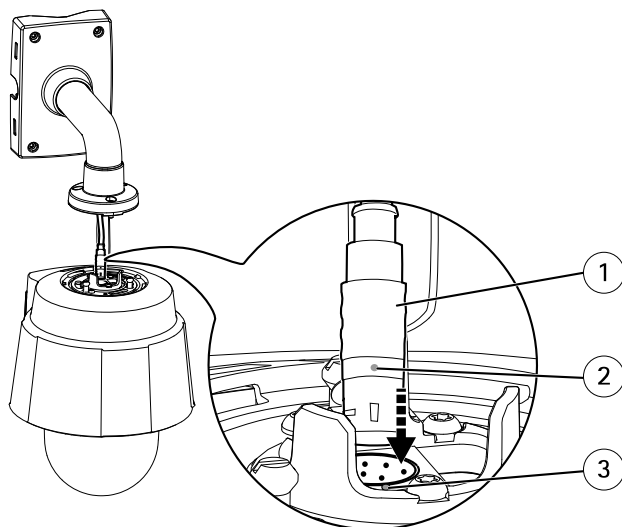


Mounting example (wall bracket sold separately)

- 1 Slot for unit holders (3x)
 - 2 Screw T30 (2x)
 - 3 Safety wire
-
4. Remove the protective cap covering the multicable on the camera.
 5. Connect the multicable to the connector on the camera. Use the alignment indicators to find the correct position.

NOTICE

Be careful not to damage the multicable when connecting it.



Mounting example (wall bracket sold separately)

- 1 Multicable
- 2 Alignment indicator – multicable
- 3 Alignment indicator – camera

6. Slide the unit holders on the camera into the slots in the mounting bracket and rotate the camera unit.
7. Secure the network camera to the mounting bracket by tightening the screws.

How to access the product

AXIS IP Utility and AXIS Device Manager are recommended methods for finding Axis products on the network and assigning them IP addresses in Windows®. Both applications are free and can be downloaded from axis.com/support

The product can be used with most operating systems and browsers. We recommend the following browsers:

- Internet Explorer® with Windows®
- Safari® with OS X®
- Chrome™ or Firefox® with other operating systems.

For more information about using the product, see the User Manual available at axis.com

How to reset to factory default settings

Important

Reset to factory default should be used with caution. A reset to factory default resets all settings, including the IP address, to the factory default values.

To reset the product to the factory default settings:

1. Press and hold the control button and the power button for 15–30 seconds until the status LED indicator flashes amber. See .
2. Release the control button but continue to hold down the power button until the status LED indicator turns green.
3. Release the power button and assemble the product.
4. The process is now complete. The product has been reset to the factory default settings. If no DHCP server is available on the network, the default IP address is 192 . 168 . 0 . 90
5. Using the installation and management software tools to assign an IP address, set the password and access the video stream.

It is also possible to reset parameters to factory default through the web interface. Go to **Settings > System > Maintenance** and click **Default**.

Maintenance

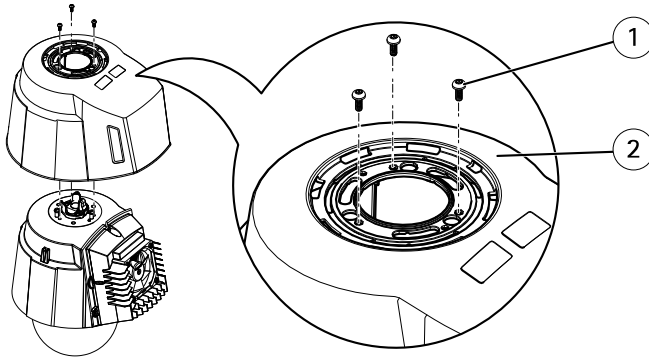
How to clean the outer heat sink

Dust and particle buildup could affect the performance of the cooling system. To maintain the performance level, the outer heat sink in the camera's cooling system may need occasional or regular cleaning.

CAUTION

The heat sink could be hot. Be careful when touching the heat sink and the heat sink cover. If required, let the camera cool before touching it.

1. Disconnect the multicable.
2. Loosen the screws and remove the sunshield.



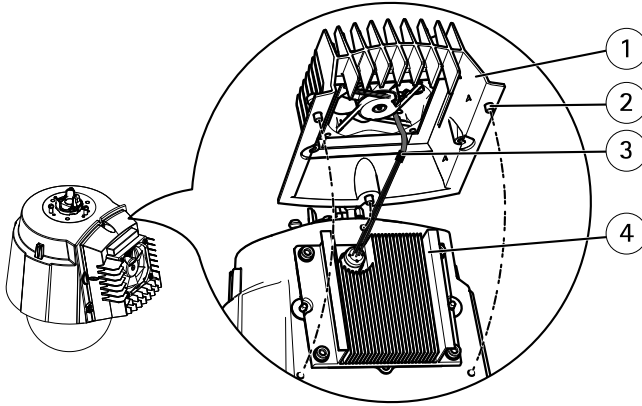
- 1 Screw T20 (3x)
- 2 Sunshield

3. Remove the screws (Torx T30) and lift the heat sink cover.

NOTICE

Do not strain the fan cables or let the heat sink cover hang by the fan cables.

AXIS Q6055-C PTZ Dome Network Camera



- 1 Heat sink cover
- 2 Screw T30 (3x)
- 3 Fan cables
- 4 Heat sink

4. Remove dust and specks of dirt by blowing on the heat sink, for example by using a small air compressor or a can of compressed air. The heat sink may also be rinsed with pure water.
5. Put the heat sink cover back in its original position and tighten the screws (torque 2.4 ± 0.2 Nm).
6. Put the sunshield back in its original position and tighten the screws (torque 1.2 ± 0.1 Nm).
7. Connect the multicable to the connector on the camera.

Further information

- For the latest version of this document, see axis.com
- The user manual is available at axis.com
- To check if there is updated firmware available for your device, see axis.com/support
- For useful online trainings and webinars, see axis.com/academy

Optional accessories

For a complete list of available accessories for this product, go to the product's page on axis.com and select Software & Accessories.

AXIS Q6055-C PTZ Dome Network Camera

Specifications

To find the latest version of the product's datasheet, go to the product page at axis.com and locate **Support & Documentation**.

LED Indicators

Status LED	Indication
Unlit	Connection and normal operation.
Green	Shows steady green for 10 seconds for normal operation after startup completed.
Amber	Steady during startup. Flashes during firmware upgrade or reset to factory default.
Amber/Red	Flashes amber/red if network connection is unavailable or lost.
Red	Firmware upgrade failure.

SD card slot

NOTICE

- Risk of damage to SD card. Do not use sharp tools, metal objects, or excessive force when inserting or removing the SD card. Use your fingers to insert and remove the card.
- Risk of data loss and corrupted recordings. Do not remove the SD card while the product is running. Unmount the SD card from the product's webpage before removal.

This product supports SD/SDHC/SDXC cards.

For SD card recommendations, see axis.com

Buttons

Control button

For location of the control button, see *Hardware overview on page 8*.

The control button is used for:

- Resetting the product to factory default settings. See *page 16*.
- Connecting to an AXIS Video Hosting System service. To find out more about this service, see axis.com

Power button

Press and hold the power button to temporarily power the product when the dome cover is removed. The power button is also used with the control button to reset the camera to factory default settings. See *page 16*.

Connectors

Multiconnector

Terminal connector for connecting the supplied media converter switch, which provides the following signals:

- DC Power
- Network (Ethernet 10/100Base-T)
- Input/Output (I/O)

Multicable connectors & I/O ports

Note

The supplied multicable is required in order to maintain the camera's NEMA/IP rating.

The multicable is connected to the camera's multiconnector, see *Hardware overview on page 8*.

The other end of the multicable is connected to the supplied AXIS T8607 Media Converter Switch. See the installation guide for that product for further information, including an overview of the I/O ports.

Operating conditions

The Axis product is intended for outdoor use.

Classification	IEC 60721-3-4 Class 4K4H, 4M4 IEC 60529 IP66 NEMA 250 Type 4x MIL-STD 810G 500.5, 501.5, 502.5, 503.5, 505.5, 506.5, 507.5, 509.5, 510.5 ¹ , 514.6
Temperature	-20 °C to 75 °C (-4 °F to 167 °F) with active cooling
Humidity	10–100% RH (condensing)

1. Protected against entry of sand and dust. Clear/smoked dome cover may need to be replaced if exposed to sandblasts.

AXIS Q6055-C PTZ Dome Network Camera

Storage conditions

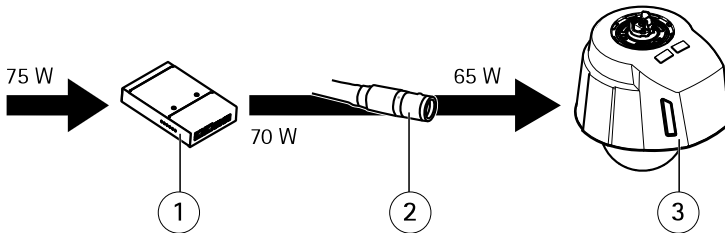
Temperature	-40 °C to 65 °C (-40 °F to 149 °F)
-------------	---------------------------------------

Electrical specifications

NOTICE

For confirmed compliance with the requirements for Safety Extra Low Voltage (SELV) and Limited Power Source (LPS), use the power supply (sold separately) recommended by Axis. For information about compatible power accessories, see www.axis.com

Product	Function	Description
Axis network camera	Input power	24 V DC, min 65 W
AXIS T8607 Media Converter Switch	Input voltage	24 V DC
	Input power	min 75 W
	Available output power	min 70 W
	Nominal output voltage	24 V DC
	Minimum input current	3.2 A



- 1 *AXIS T8607 Media Converter Switch*
- 2 *Multicable*
- 3 *Axis network camera*

Safety information

Hazard levels

▲DANGER

Indicates a hazardous situation which, if not avoided, will result in death or serious injury.

▲WARNING

Indicates a hazardous situation which, if not avoided, could result in death or serious injury.

▲CAUTION

Indicates a hazardous situation which, if not avoided, could result in minor or moderate injury.

NOTICE

Indicates a situation which, if not avoided, could result in damage to property.

Other message levels

Important

Indicates significant information which is essential for the product to function correctly.

Note

Indicates useful information which helps in getting the most out of the product.

AXIS Q6055-C PTZ Dome Network Camera

Safety instructions

⚠ WARNING

The Axis product shall be installed by a trained professional, and in compliance with local laws and regulations.

NOTICE

- The Axis product shall be used in compliance with local laws and regulations.
- Store the Axis product in a dry and ventilated environment.
- Avoid exposing the Axis product to shocks or heavy pressure.
- Do not install the product on unstable poles, brackets, surfaces or walls.
- Use only applicable tools when installing the Axis product. Using excessive force with power tools could cause damage to the product.
- Do not use chemicals, caustic agents, or aerosol cleaners.
- Use a clean cloth dampened with pure water for cleaning.
- Use only accessories that comply with the technical specification of your product. These can be provided by Axis or a third party. Axis recommends using Axis power source equipment compatible with your product.
- Use only spare parts provided by or recommended by Axis.
- Do not attempt to repair the product yourself. Contact Axis support or your Axis reseller for service matters.
- Do not point the camera lens toward the sun or other high-intensity radiation sources because this could cause damage to the camera.

Transportation

NOTICE

- Keep the protective packaging. When transporting the Axis product, the protective packaging shall be replaced in its original position.
- When transporting the Axis product, use the original packaging or equivalent to prevent damage to the product.

Battery

The Axis product uses a 3.0 V BR2032 lithium battery as the power supply for its internal real-time clock (RTC). Under normal conditions this battery will last for a minimum of five years.

Low battery power affects the operation of the RTC, causing it to reset at every power-up. When the battery needs replacing, a log message will appear in the product's server report. For more information about the server report, see the product's web page or contact Axis support.

Lithium coin cell 3.0 V batteries contain 1,2-dimethoxyethane; ethylene glycol dimethyl ether (EGDME), CAS no. 110-71-4.

▲WARNING

- Risk of explosion if the battery is incorrectly replaced.
- The battery should be replaced with an identical battery only.
- Used batteries should be disposed of according to local regulations or the battery manufacturer's instructions.

Dome cover

NOTICE

- Be careful not to scratch, damage or leave fingerprints on the dome cover because this could decrease image quality. If possible, keep the protective plastic on the dome cover until the installation is complete.
- Do not clean a dome cover that looks clean to the eye and never polish the surface. Excessive cleaning could damage the surface.
- For general cleaning of the dome cover it is recommended to use a non-abrasive, solvent-free neutral soap or detergent mixed with pure water and a soft, clean cloth. Rinse well with pure lukewarm water. Dry with a soft, clean cloth to prevent water spotting.
- Never use harsh detergents, gasoline, benzene, acetone, or similar chemicals.
- Avoid cleaning the dome cover in direct sunlight or at elevated temperatures.
- Make sure the dome is attached in operation mode, otherwise focus may be affected.

Contenu de l'emballage

- Caméra dôme réseau PTZ AXIS Q6055-C
- Couvercle de dôme non fumé (prémonté)
- Commutateur de convertisseur de média AXIS T8607
- Câble multiple (IP66), 7 m (23 pi)
- Documents imprimés
 - Guide d'installation (ce document)
 - Étiquette supplémentaire de numéro de série (x2)
 - Clé d'authentification AVHS

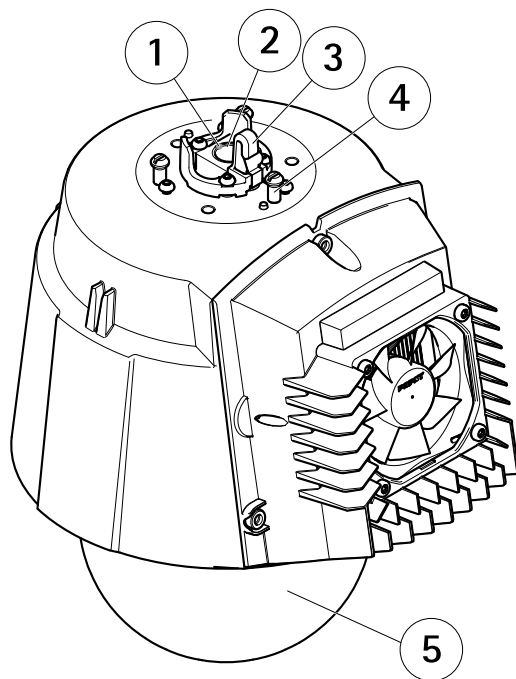
AXIS Q6055-C PTZ Dome Network Camera

Aperçu du matériel

Pour connaître les caractéristiques des composants matériels, consultez *Caractéristiques* page 40.

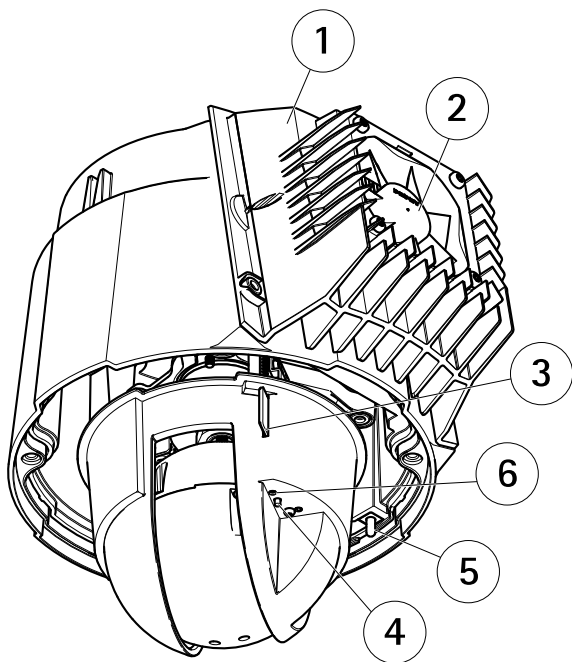
AVIS

Vérifiez que le dôme est fixé en mode de fonctionnement, sinon la mise au point peut en être affectée.



Vue de dessus

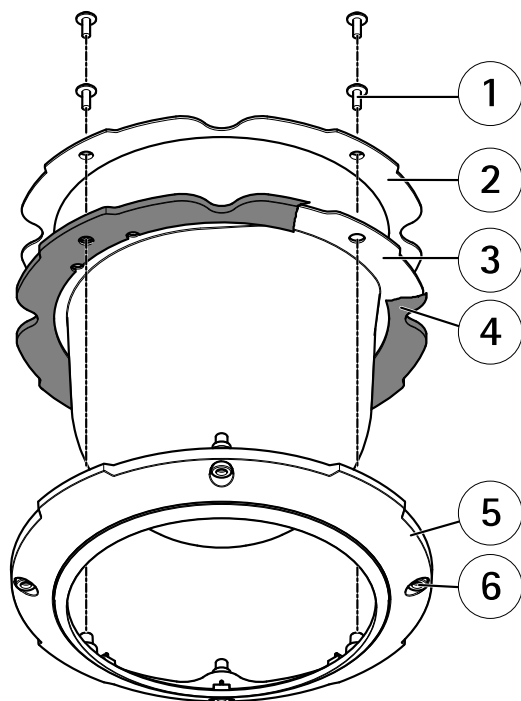
- 1 *Témoin d'alignement*
- 2 *Multiconnecteur*
- 3 *Crochet pour câble de sécurité*
- 4 *Support de l'appareil (x3)*
- 5 *Dôme*



Vue de dessous

- 1 *Système de refroidissement*
- 2 *Ventilateur*
- 3 *Emplacement pour carte SD (SDHC)*
- 4 *Bouton de commande*
- 5 *Bouton d'alimentation (pour les valeurs d'usine par défaut uniquement)*
- 6 *Voyant d'état*

AXIS Q6055-C PTZ Dome Network Camera



- 1 *Vis du support pour caméra dôme PH2 (x4)*
- 2 *Support pour caméra dôme*
- 3 *Couvercle de dôme*
- 4 *Joint en caoutchouc*
- 5 *Garniture pour caméra dôme*
- 6 *Vis de la garniture pour caméra dôme T30 (x4)*

Comment installer le produit

Lisez toutes les instructions avant l'installation de l'appareil. Il serait préférable de réaliser certaines étapes en même temps parce qu'elles exigent le retrait du couvercle du dôme.

AVIS

- les réglementations locales ou les conditions environnementales et électriques dans lesquelles le produit est utilisé peuvent nécessiter l'utilisation d'un câble réseau blindé (STP). Tous les câbles réseau qui sont acheminés à l'extérieur ou dans des environnements électriques exigeants doivent être destinés à leur usage spécifique. Assurez-vous que les périphériques réseau sont installés conformément aux instructions du fabricant. Pour plus d'informations sur les exigences réglementaires, consultez *Regulatory information on page 4*.
- Fixez le produit en orientant le couvercle du dôme vers le bas.
- Ce produit est équipé d'une membrane de déshumidification qui permet de maintenir des niveaux d'humidité bas à l'intérieur du dôme. Afin d'éviter la condensation, ne démontez pas le produit sous la pluie ou dans des conditions d'humidité.
- Veillez à ne pas rayer, endommager ou laisser d'empreintes sur le couvercle du dôme car cela pourrait altérer la qualité d'image. Laissez, si possible, la protection en plastique sur le couvercle du dôme jusqu'à la fin de l'installation.

Cette caméra peut être montée avec les câbles d'alimentation acheminés à travers ou le long du mur ou du toit.

Outils recommandés

- Outil de dénudage de câble (raccordement de câble)
- Tournevis Philips PH2 (remplacement du dôme)
- Tournevis Torx® T20 (nettoyage du dissipateur de chaleur externe, si nécessaire)
- Tournevis Torx® T30 (dépose du couvercle de dôme, adaptateur de support AXIS T91A, remplacement du dôme)
- Pince coupante diagonale (câbles)

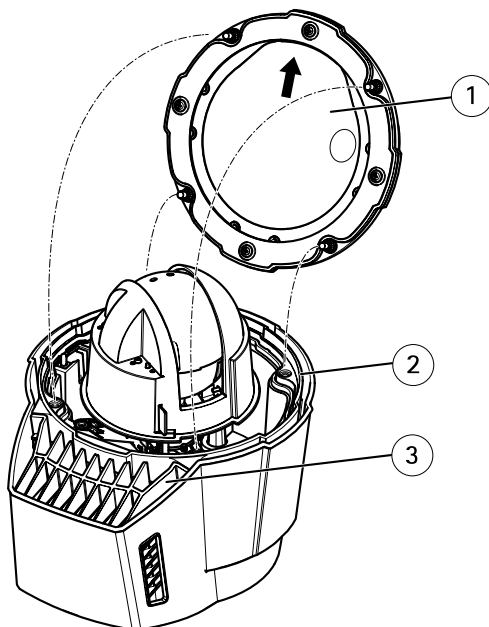
Remplacement du couvercle de dôme(en option)

Le couvercle du dôme prémonté peut être remplacé si vous souhaitez utiliser un couvercle de dôme fumé ou si le couvercle du dôme est rayé ou endommagé. Les couvercles de dôme fumés et les couvercles de dôme non fumés de rechange peuvent être achetés auprès d'un revendeur Axis.

1. Desserrez les vis de la garniture pour caméra dôme et retirez le couvercle du dôme.
2. Dévissez le support du dôme, puis retirez le support et le couvercle du dôme de la garniture.
3. Assurez-vous que le joint en caoutchouc est correctement fixé sur le couvercle du dôme.

AXIS Q6055-C PTZ Dome Network Camera

4. Alignez le renflement du couvercle du dôme avec l'un des logotypes de la garniture.
5. Fixez le support et le couvercle du dôme à la garniture puis serrez les vis (couple 1,2 Nm).
6. Pour installer une carte SD, consultez *Installation d'une carte SD (facultatif)* page 32.
7. Pour fixer le couvercle du dôme sur le couvercle supérieur, alignez le renflement sur le couvercle du dôme avec le système de refroidissement sur la caméra puis resserrez les vis (couple 1,5 Nm).



- 1 Couvercle de dôme
- 2 Couvercle supérieur
- 3 Système de refroidissement

Installation d'une carte SD (facultatif)

L'installation d'une carte SD est facultative. Une carte SD standard ou à haute capacité (non fournie) peut être utilisée pour sauvegarder des enregistrements dans l'appareil.

1. Desserrez les vis de la garniture pour caméra dôme et retirez le couvercle du dôme.
2. Insérez une carte SD dans l'emplacement pour carte SD.

3. Pour fixer le couvercle du dôme sur le couvercle supérieur, alignez le renflement du couvercle du dôme avec le régulateur de chaleur de la caméra et serrez les vis (couple 1,5 Nm).

Installation d'AXIS T8607 Media Converter Switch

AXIS T8607 Media Converter Switch permet au câble multiple d'envoyer le courant provenant de l'alimentation (vendue séparément), mais également d'échanger des données avec les dispositifs d'alarme externes et le réseau.

Pour connaître toutes les informations relatives à l'installation d'AXIS T8607 Media Converter Switch, voir le guide d'installation fourni avec le produit.

Installation de la caméra réseau

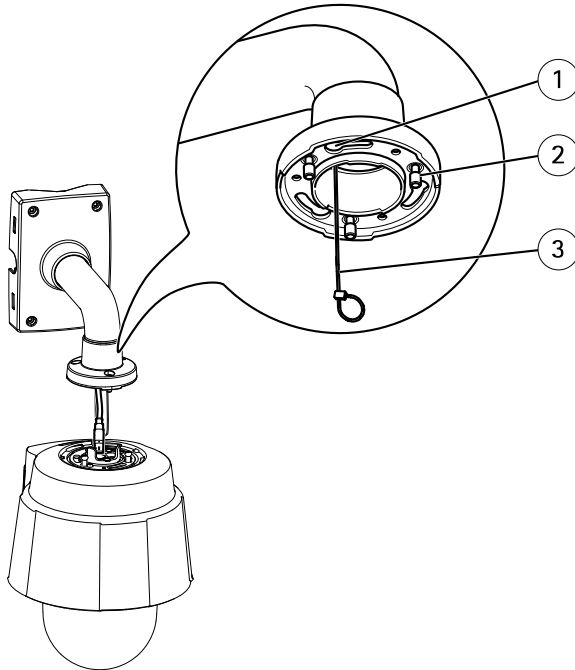
AVIS

Pour être conforme à la norme IP66 de la caméra et maintenir la protection IP66, il est nécessaire d'utiliser le câble multiconnecteurs fourni.

Retirez l'emballage de protection entre la caméra et le pare-soleil avant d'installer la caméra.

1. Installez le support choisi conformément aux instructions fournies avec le support. S'il s'avère nécessaire de percer, vérifiez que les forets, vis et chevilles à utiliser sont appropriés pour le matériau.
2. Acheminez le câble multiple à travers les orifices du support de montage.
3. Sécurisez la caméra à l'aide du câble de sécurité fourni.

AXIS Q6055-C PTZ Dome Network Camera



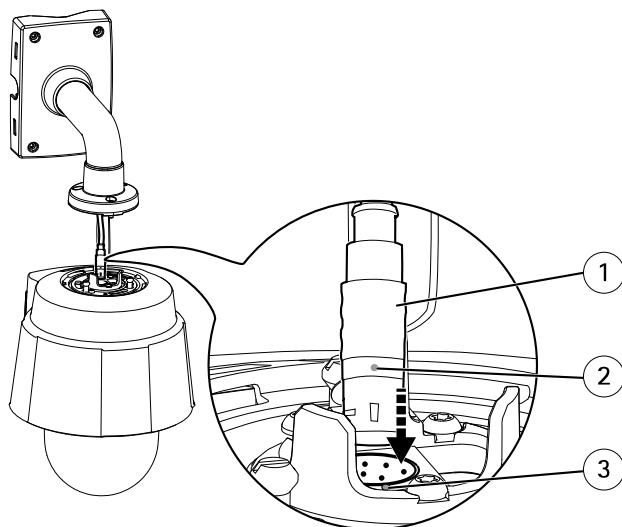
Exemple de montage (support mural vendu séparément)

- 1 *Trou pour supports de caméra (x3)*
- 2 *Vis T30 (x2)*
- 3 *Câble de sécurité*

4. Retirez la capsule de protection qui recouvre le câble multiconnecteurs sur la caméra.
5. Connectez le câble multiple au connecteur sur la caméra. Utilisez les indicateurs d'alignement pour trouver la bonne position.

AVIS

Veillez à ne pas endommager le câble multiple lorsque vous le connectez.



Exemple de montage (support mural vendu séparément)

- 1 Câble multiple
- 2 Témoin d'alignement – câble multiple
- 3 Témoin d'alignement – caméra

6. Glissez les supports de l'appareil sur la caméra dans les fentes du support de montage et faites tourner la caméra.
7. Sécurisez la caméra réseau sur le support de montage en serrant les vis.

Comment accéder au produit

Pour trouver les périphériques Axis présents sur le réseau et leur attribuer des adresses IP sous Windows®, utilisez AXIS IP Utility ou AXIS Device Manager. Ces applications sont gratuites et peuvent être téléchargées via axis.com/support

Pour plus d'informations sur l'utilisation du produit, consultez le Manuel de l'utilisateur disponible sur axis.com

Comment réinitialiser les paramètres par défaut

Important

La réinitialisation aux paramètres par défaut doit être utilisée avec prudence. Cette opération reconfigure tous les paramètres, y compris l'adresse IP, aux valeurs d'usine par défaut.

Pour réinitialiser l'appareil aux paramètres d'usine par défaut :

1. Maintenez le bouton de commande et le bouton d'alimentation enfoncés pendant 15 à 30 secondes jusqu'à ce que l'indicateur LED de statut clignote en orange. Cf. .
2. Relâchez le bouton de commande, mais continuez à maintenir le bouton d'alimentation jusqu'à ce que le voyant d'état clignote en vert.
3. Relâchez le bouton d'alimentation et assemblez l'appareil.
4. Le processus est maintenant terminé. Les paramètres d'usine par défaut de l'appareil ont été rétablis. En l'absence d'un serveur DHCP sur le réseau, l'adresse IP par défaut est 192.168.0.90.
5. Utilisez les outils d'installation et de gestion pour attribuer une adresse IP, configurer le mot de passe et accéder au flux de données vidéo.

Il est également possible de rétablir les paramètres d'usine à partir de l'interface Web. Accédez à **Settings > System > Maintenance (Paramètres > Système > Maintenance)** , puis cliquez sur **Default (Par défaut)**.

Maintenance

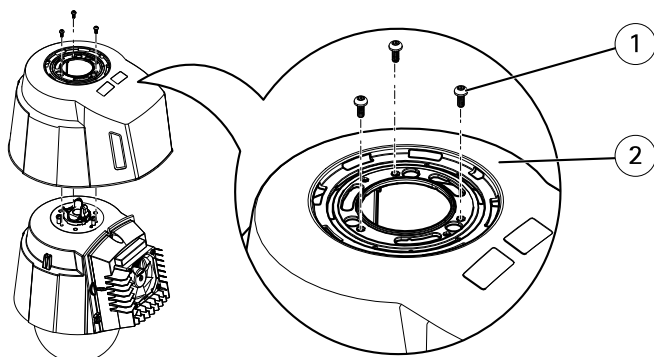
Nettoyage du dissipateur de chaleur externe

La poussière et l'accumulation des particules affectent la performance du système. Pour maintenir la performance à niveau, le dissipateur de chaleur externe du système de refroidissement de la caméra peut nécessiter un nettoyage occasionnel ou régulier.

ATTENTION

Le dissipateur de chaleur peut être chaud. Il convient de prendre certaines précautions lorsqu'on entre en contact avec le dissipateur de chaleur ou son couvercle. Si nécessaire, laissez la caméra refroidir avant de la toucher.

1. Débranchez le câble multiple.
2. Desserrez les vis et retirez le pare-soleil.



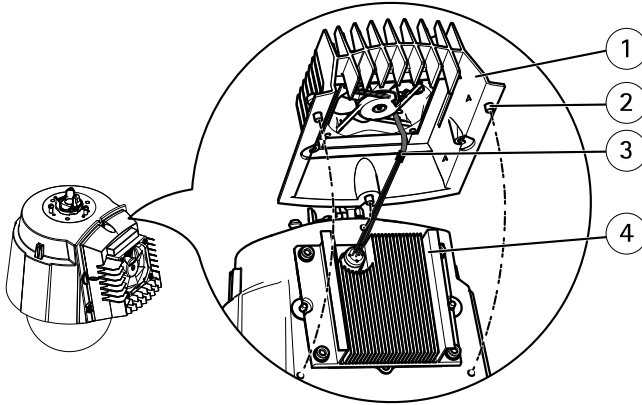
- 1 Vis T20 (x3)
- 2 Pare-soleil

3. Retirez les vis (Torx T30) et soulevez le couvercle du dissipateur de chaleur.

AVIS

Il faut éviter de déformer les câbles de ventilateur ou laisser le couvercle du dissipateur de chaleur accroché par les câbles de ventilateur.

AXIS Q6055-C PTZ Dome Network Camera



- 1 *Couvercle du dissipateur de chaleur*
- 2 *Vis T30 (x3)*
- 3 *Câbles de ventilateur*
- 4 *Dissipateur de chaleur*

4. Retirez la poussière et les tâches de saleté en soufflant sur le dissipateur de chaleur, par exemple à l'aide d'un petit compresseur d'air ou d'une bouteille d'air comprimé. On peut aussi rincer le dissipateur de chaleur avec de l'eau pure.
5. Remettez le couvercle du dissipateur de chaleur en place et serrez les vis à (couple de $2,4 \pm 0,2$ Nm).
6. Remettez le pare-soleil en place et serrez les vis (couple de $1,2 \pm 0,1$ Nm).
7. Connectez le câble multiple au connecteur sur la caméra.

Informations complémentaires

- Pour obtenir la version la plus à jour de ce document, voir axis.com
- Le manuel d'utilisateur est disponible sur le site axis.com
- Pour vérifier s'il existe un firmware mis à jour pour votre appareil, voir axis.com/support
- Pour accéder à des formations et webinaires en ligne utiles, voir axis.com/academy

FR

Accessoires en option

Pour une liste complète des accessoires disponibles pour ce produit, accédez à la page du produit sur axis.com et sélectionnez Logiciel et accessoires.

Caractéristiques

Pour obtenir la dernière version de la fiche technique du produit, rendez-vous sur la page du produit sur le site axis.com et trouvez l'option **Support & Documentation (Assistance et documentation)**.

Voyants

LED de statut	Indication
Éteinte	Branchement et fonctionnement normal.
Vert	Vert et fixe pendant 10 secondes pour indiquer un fonctionnement normal après le démarrage.
Orange	Fixe pendant le démarrage. Clignote pendant les mises à niveau du microprogramme ou le rétablissement des valeurs par défaut configurées en usine.
Orange / Rouge	Clignote en orange/rouge en cas d'indisponibilité ou de perte de la connexion réseau.
Rouge	Échec de la mise à niveau du microprogramme.

Fente pour carte SD

AVIS

- Risque de dommages à la carte SD. N'utilisez pas d'outils tranchants ou d'objets métalliques pour insérer ou retirer la carte SD, et ne forcez pas lors son insertion ou de son retrait. Utilisez vos doigts pour insérer et retirer la carte.
- Risque de perte de données et d'enregistrements corrompus. Ne retirez pas la carte SD pendant que le produit fonctionne. Démontez la carte SD de la page Web du produit avant le retrait.

Ce produit est compatible avec les cartes SD/SDHC/SDXC.

Pour des recommandations sur les cartes SD, consultez axis.com

Boutons

Bouton de commande

Pour connaître l'emplacement du bouton de commande, voir *Aperçu du matériel* page 28.

Le bouton de commande permet de réaliser les opérations suivantes :

- Réinitialisation du produit aux paramètres d'usine par défaut. Cf. *page 36*.

- Connexion au service du Système d'hébergement vidéo AXIS. Pour en savoir plus sur ce service, consultez le site axis.com.

Bouton d'alimentation

Appuyez sur le bouton d'alimentation et maintenez-le enfoncé pour alimenter temporairement le produit lors du retrait du couvercle de dôme. Le bouton d'alimentation est également utilisé avec le bouton de commande pour réinitialiser la caméra aux paramètres d'usine par défaut. Cf. *page 36*.

FR

Connecteurs

Multiconnecteur

Connecteur de terminal pour le branchement du contacteur de convertisseur de support inclus, qui fournit les signaux suivants :

- Alimentation CC
- Réseau (Ethernet 10/100Base-T)
- Entrée/sortie (E/S)

Câbles multiconnecteurs et ports d'E/S

Note

Le câble multiple fourni sert à maintenir la classification NEMA/IP de la caméra.

Le câble multiple est branché au port multiconnecteurs de la caméra, voir *Aperçu du matériel page 28*.

L'autre extrémité du câble multiple est branchée au commutateur AXIS T8607 Media Converter Switch fourni. Pour plus d'informations et pour une présentation des ports d'E/S, voir le guide d'installation du produit.

Conditions d'utilisation

L'appareil Axis est uniquement destiné à une utilisation en extérieur.

AXIS Q6055-C PTZ Dome Network Camera

Classification	IEC 60721-3-4 Classe 4K4H, 4M4 IEC 60529 IP66 NEMA 250 Type 4x MIL-STD 810G 500.5, 501.5, 502.5, 503.5, 505.5, 506.5, 507.5, 509.5, 510.5 ¹ , 514.6
Température	-20 °C à 75 °C (-4 °F à 167 °F) avec refroidissement actif
Humidité	Humidité relative 10 – 100 % (condensation)

1. À l'abri du sable et de la poussière. Le couvercle de dôme fumé/non fumé doit être remplacé s'il est exposé à des jets de sable.

Conditions de stockage

Température	-40°C à 65°C (-40°F à 149°F)
-------------	---------------------------------

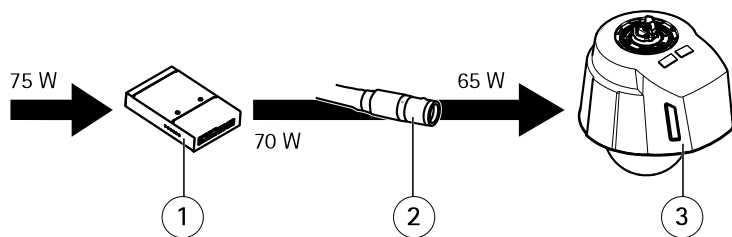
Caractéristiques électriques

AVS

Afin de satisfaire aux exigences de Très basse tension de sécurité (TBTS) et de source d'alimentation limitée (LPS), utilisez le bloc d'alimentation (vendu séparément) recommandé par Axis. Pour plus d'informations sur les accessoires d'alimentation compatibles, voir le site www.axis.com

Produit	Fonction	Description
Caméra réseau Axis	Puissance d'entrée	24 V CC, 65 W min.
AXIS T8607 Media Converter Switch	Tension d'entrée	24 V CC
	Puissance d'entrée	75 W min.
	Puissance de sortie disponible	70 W min.
	Tension de sortie nominale	24 V CC
	Courant d'entrée minimal	3,2 A

AXIS Q6055-C PTZ Dome Network Camera



- 1 *AXIS T8607 Media Converter Switch*
- 2 *Câble multiple*
- 3 *Caméra réseau Axis*

FR

Informations sur la sécurité

Niveaux de risques

▲ DANGER

Indique une situation dangereuse qui, si elle n'est pas évitée, entraînera le décès ou des blessures graves.

▲ AVERTISSEMENT

Indique une situation dangereuse qui, si elle n'est pas évitée, pourrait entraîner le décès ou des blessures graves.

▲ ATTENTION

Indique une situation dangereuse qui, si elle n'est pas évitée, pourrait entraîner des blessures légères ou modérées.

AVIS

Indique une situation qui, si elle n'est pas évitée, pourrait endommager l'appareil.

Autres niveaux de message

Important

Indique les informations importantes, nécessaires pour assurer le bon fonctionnement de l'appareil.

Note

Indique les informations utiles qui permettront d'obtenir le fonctionnement optimal de l'appareil.

AXIS Q6055-C PTZ Dome Network Camera

Consignes de sécurité

▲AVERTISSEMENT

Le produit Axis doit être installé par un professionnel qualifié et conformément aux lois et réglementations locales en vigueur.

AVIS

- Le produit Axis doit être utilisé conformément aux lois et règlements locaux.
- Conserver ce produit Axis dans un environnement sec et ventilé.
- Ne pas exposer ce produit Axis aux chocs ou aux fortes pressions.
- Ne pas installer ce produit sur des poteaux, supports, surfaces ou murs instables.
- Utiliser uniquement des outils recommandés pour l'installation de l'appareil Axis. L'application d'une force excessive sur l'appareil avec des outils puissants pourrait l'endommager.
- Ne pas utiliser de produits chimiques, de substances caustiques ou de nettoyeurs pressurisés.
- Utiliser un chiffon propre imbibé d'eau pure pour le nettoyage.
- Utiliser uniquement des accessoires conformes aux caractéristiques techniques de votre produit. Ils peuvent être fournis par Axis ou un tiers. Axis recommande d'utiliser un équipement d'alimentation Axis compatible avec votre produit.
- Utiliser uniquement les pièces de rechange fournies ou recommandées par Axis.
- Ne pas essayer de réparer vous-même ce produit. Contacter l'assistance technique d'Axis ou votre revendeur Axis pour des problèmes liés à l'entretien.
- Évitez de pointer l'objectif de la caméra vers le soleil ou toute autre source de radiation de haute intensité. Cela risque d'endommager la caméra.

Transport

AVIS

- Conservez l'emballage de protection. Lors du transport du produit Axis, l'emballage de protection doit être remis dans sa position d'origine.
- Lors du transport du produit Axis, utilisez l'emballage d'origine ou un équivalent pour éviter d'endommager le produit.

Batterie

Le produit Axis utilise une batterie au lithium BR2032 3,0 V comme alimentation de son horloge en temps réel interne (RTC). Dans des conditions normales, cette batterie a une durée de vie minimale de cinq ans.

Si la batterie est faible, le fonctionnement de l'horloge en temps réel peut être affecté et entraîner sa réinitialisation à chaque mise sous tension. Un message enregistré apparaît dans le rapport de serveur du produit lorsque la batterie doit être remplacée. Pour plus d'informations sur le rapport serveur, consultez la page Web du produit ou contactez l'assistance technique d'Axis.

Les piles boutons 3,0 V au lithium contiennent du 1,2-diméthoxyéthane, éthylène glycol diméthyl éther (EGDME), CAS n° 110-71-4.

▲AVERTISSEMENT

- Risque d'explosion si la batterie est remplacée de façon incorrecte.
- La batterie doit être remplacée par une batterie identique uniquement.
- Les batteries usagées doivent être mises au rebut conformément aux réglementations locales ou aux instructions du fabricant de la batterie.

Couvercle de dôme

AVIS

- Veillez à ne pas rayer, endommager ou laisser d'empreintes sur le couvercle du dôme car cela pourrait altérer la qualité d'image. Laissez, si possible, la protection en plastique sur le couvercle du dôme jusqu'à la fin de l'installation.
- Ne nettoyez pas le couvercle du dôme s'il semble propre à l'œil nu et ne frottez jamais sa surface. Un nettoyage excessif pourrait endommager la surface.
- Pour le nettoyage général du couvercle du dôme, il est recommandé d'utiliser un produit non abrasif, un savon neutre sans solvant ou un détergent mélangé avec de l'eau pure et un chiffon doux propre. Rincez bien à l'eau tiède pure. Séchez avec un chiffon doux et propre pour éviter les taches d'eau.
- N'utilisez jamais de détergents agressifs, d'essence, de benzène, d'acétone ou autres produits chimiques similaires.
- Évitez de nettoyer le couvercle du dôme dans la lumière directe du soleil ou lorsque les températures sont élevées.
- Vérifiez que le dôme est fixé en mode de fonctionnement, sinon la mise au point peut en être affectée.

Lieferumfang

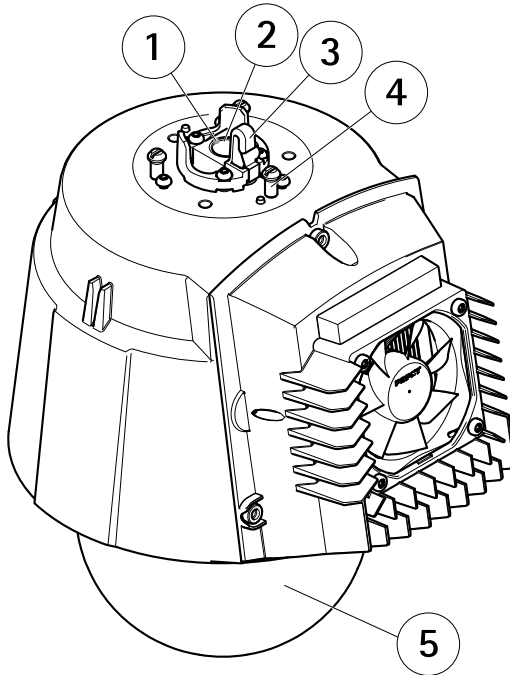
- AXIS Q6055-C PTZ-Dome-Netzwerk-Kamera
- Klare Kuppelabdeckung (vormontiert)
- AXIS T8607 Media Converter-Switch
- Mehrfachkabel (IP66), 7 m
- Gedruckte Dokumente
 - Installationsanleitung (dieses Dokument)
 - Zusätzliche Etiketten mit der Seriennummer (2 x)
 - AVHS-Authentifizierungsschlüssel

Übersicht über die Hardware

Die technischen Daten für Hardwarekomponenten finden Sie unter *Technische Daten auf Seite 62*.

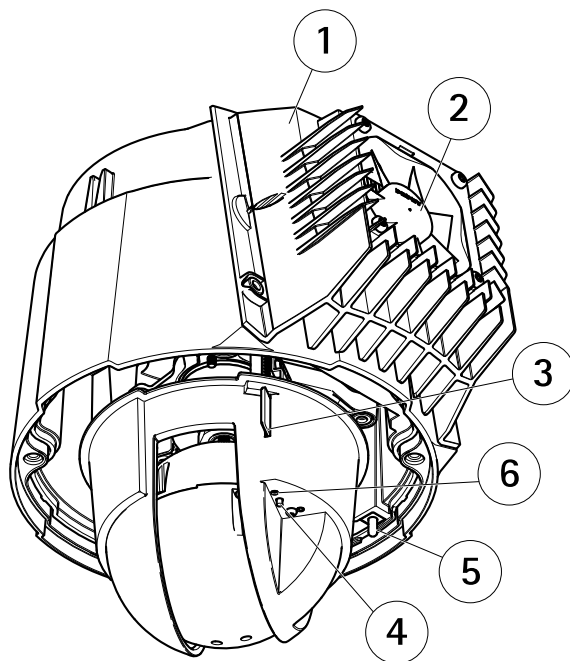
HINWEIS

Die Kamera darf nur mit angebrachter Kuppel betrieben werden, damit der Fokus nicht beeinträchtigt wird.



Draufsicht

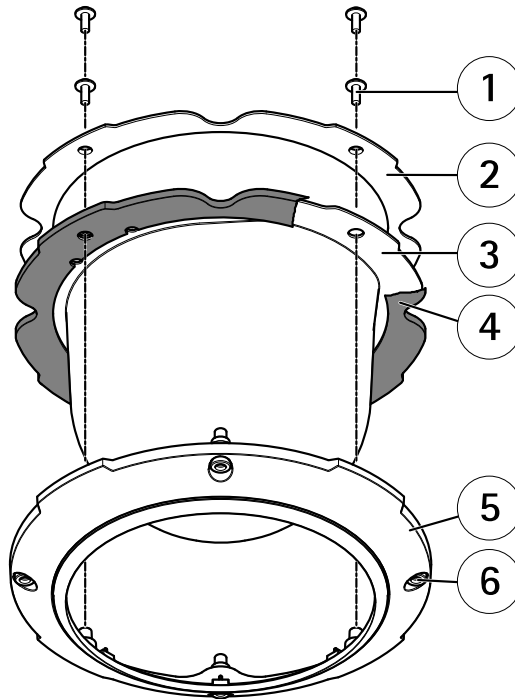
- 1 Ausrichtungsmarke
- 2 Mehrfachanschluss
- 3 Haken für Sicherheitsdraht
- 4 Gerätehalter (3x)
- 5 Kuppel



Ansicht von unten

- 1 *Kühlsystem*
- 2 *Lüfter*
- 3 *SD-Karteneinschub (SDHC)*
- 4 *Steuertaste*
- 5 *Netztaste (nur für werksseitige Standardeinstellung)*
- 6 *LED-Statusanzeige*

AXIS Q6055-C PTZ Dome Network Camera



- 1 Kuppelhalterungsschraube PH2 (4x)
- 2 Kuppelhalterung
- 3 Kuppelabdeckung
- 4 Gummidichtung
- 5 Kuppelring
- 6 Kuppelringschraube T30 (4x)

Installieren des Produkts

Lesen Sie die Anweisungen, bevor Sie das Produkt installieren. Manche Installationsschritte sollten besser zusammen ausgeführt werden, denn sie erfordern die Entfernung der Kuppelabdeckung.

HINWEIS

- Aufgrund örtlicher Vorschriften oder je nach Umgebung oder elektrischer Anlage, in/mit der das Produkt verwendet wird, kann ein abgeschirmtes Netzkabel (STP) empfehlenswert oder notwendig sein. Alle Netzkabel des Produkts, die im Außenbereich oder in anspruchsvollen elektrischen Umgebungen verlegt werden, müssen hierfür ausgelegt sein. Stellen Sie sicher, dass die Netzwerkgeräte gemäß den Anweisungen des Herstellers installiert wurden. Informationen zu gesetzlichen Bestimmungen finden Sie unter *Regulatory information on page 4*.
- Befestigen Sie das Produkt mit der Kuppelabdeckung nach unten.
- Das Produkt ist mit einer Entfeuchtungsmembran ausgestattet, um die Feuchtigkeit in der Kuppel gering zu halten. Zur Vermeidung von Kondensierung das Produkt nicht im Regen oder in feuchter Umgebung auseinanderbauen.
- Achten Sie darauf die Kuppelabdeckung weder zu zerkratzen, zu beschädigen oder darauf Fingerabdrücke zu hinterlassen, da dies die Bildqualität beeinträchtigen kann. Falls möglich, entfernen Sie die Schutzfolie erst nach Abschluss der Installation.

Bei der Montage des Produkts können Sie die Kabel entweder durch die Wand oder die Decke führen.

Empfohlene Werkzeuge

- Abisoliergerät (Kabelverbindung)
- Kreuzschlitzschraubendreher PH2 (Austausch der Kuppel)
- Torx®-Schraubendreher T20 (Reinigen des äußeren Kühlkörpers)
- Schraubendreher Torx®-T30 (Entfernen der Kuppel, Halterungsadapter AXIS T91A, Ersetzen der Kuppel)
- Seitenschneider (Kabel)

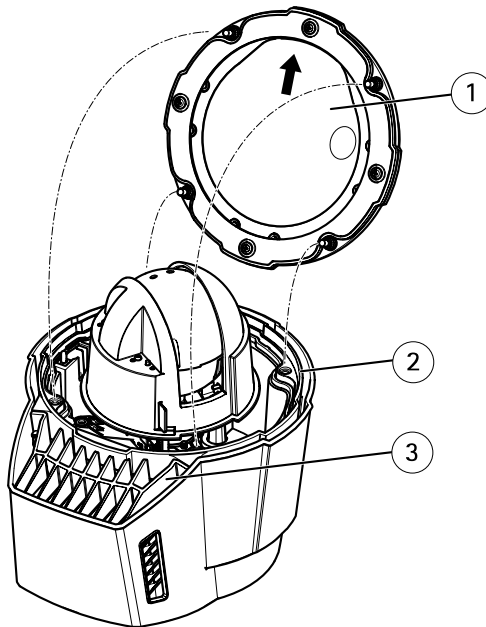
Austauschen der Kuppelabdeckung (optional)

Die vormontierte klare Kuppelabdeckung kann ausgetauscht werden, wenn Sie eine getönte Kuppelabdeckung verwenden möchten oder wenn die Kuppelabdeckung zerkratzt oder beschädigt ist. Getönte Kuppelabdeckungen oder klare Ersatzabdeckungen können über Ihren Axis Händler erworben werden.

1. Lösen Sie die Kuppelringschrauben und entfernen sie die Kuppelabdeckung.
2. Entfernen Sie die Kuppelhalterungsschrauben und entfernen Sie die Kuppelhalterung aus dem Kuppelring.

AXIS Q6055-C PTZ Dome Network Camera

3. Vergewissern Sie sich, dass die Gummidichtung ordnungsgemäß an der Kuppelabdeckung angebracht ist.
4. Richten Sie die Kuppelabdeckung an einem der Logos auf dem Kuppelring aus.
5. Bringen Sie die Kuppelhalterung und die Kuppelabdeckung am Kuppelring an und ziehen Sie die Schrauben fest (Anzugsmoment 1,2 Nm).
6. Weitere Informationen zur Installation einer SD-Speicherkarte finden Sie unter *Installation einer SD-Speicherkarte (optional) auf Seite 54*.
7. Bringen Sie die Kuppelabdeckung an der oberen Abdeckung an, indem Sie die Ausbuchtung der Kuppelabdeckung am Kühlsystem der Kameraeinheit ausrichten und die Schrauben festziehen (Drehmoment 1,5 Nm).



- 1 Kuppelabdeckung
- 2 Obere Abdeckung
- 3 Kühlsystem

Installation einer SD-Speicherkarte (optional)

Die Installation einer SD-Speicherkarte ist optional. Mit einer Standard-SD-Speicherkarte oder SD-Speicherkarte mit hoher Kapazität (nicht enthalten) können Aufzeichnungen direkt/lokal auf dem Produkt gespeichert werden.

1. Lösen Sie die Kuppelringschrauben und entfernen sie die Kuppelabdeckung.
2. Schieben Sie die SD-Karte in den SD-Karteneinschub.
3. Bringen Sie die Kuppelabdeckung an der oberen Abdeckung an, indem Sie die Ausbuchtung der Kuppelabdeckung am Heizelement der Kameraeinheit ausrichten und die Schrauben festziehen (Anzugsmoment 1,5 Nm).

Den AXIS T8607 Media Converter Switch installieren

Der Media Converter Switch AXIS T8607 ermöglicht über das Mehrfachkabel die Stromversorgung von der Stromquelle (separat erhältlich) sowie die Datenübertragung zwischen externen Alarminrichtungen und dem Netzwerk.

DE

Weitere Informationen zum Installieren des Media Converter Switch AXIS T8607 finden Sie in der gesonderten mitgelieferten Installationsanleitung.

Installieren der Netzwerk-Kamera

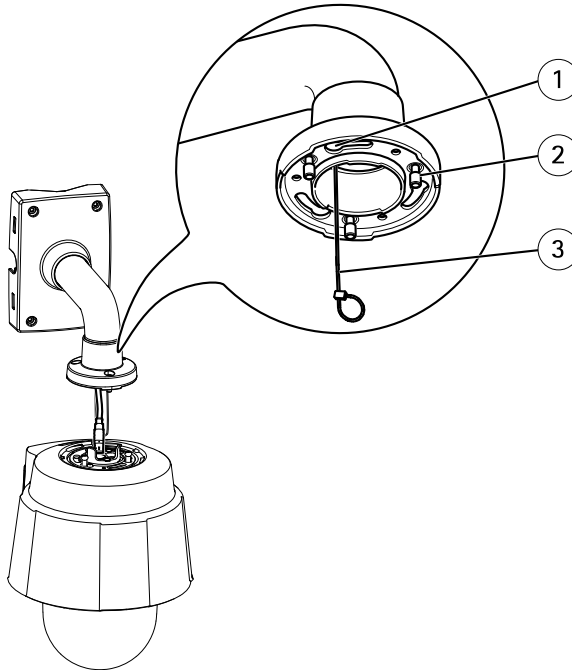
HINWEIS

Verwenden Sie das im Lieferumfang enthaltene Mehrfachanschlusskabel, um die IP66-Einstufung der Kamerabauweise und den IP66-Schutz zu gewährleisten.

Entfernen Sie vor Installation der Kamera die Schutzverpackung zwischen Kamera und Sonnenschutz.

1. Installieren Sie die ausgewählte Halterung entsprechend den mitgelieferten Anweisungen. Falls das Bohren von Löchern erforderlich ist, stellen Sie sicher, dass die Bohrer, Schrauben und Dübel für den Baustoff der Wand geeignet sind.
2. Führen Sie das Mehrfachkabel durch die Bohrungen in der Montagehalterung.
3. Sichern Sie die Kamera mit dem mitgelieferten Sicherheitsdraht.

AXIS Q6055-C PTZ Dome Network Camera

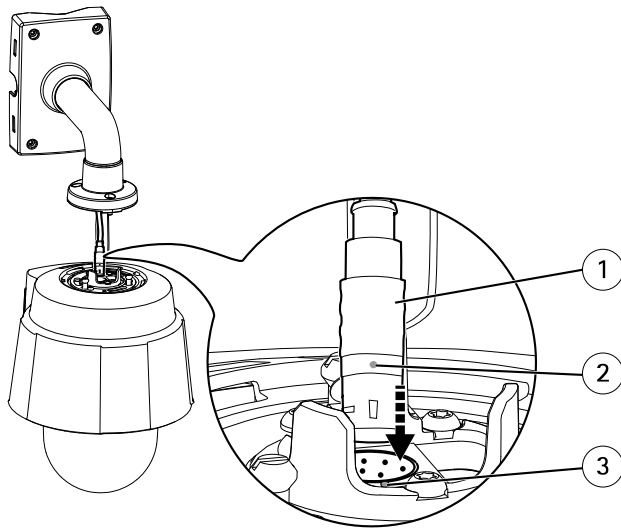


Montagebeispiel (Wandhalterung separat erhältlich)

- 1 Aufnahme für Gerätehalter (3 St.)
 - 2 Schrauben T30 (2 St.)
 - 3 Sicherheitsdraht
4. Die Schutzkappe des Mehrfachanschlusses von der Kamera entfernen.
 5. Das Mehrfachkabel an die Kamera anschließen. Die korrekte Position mittels der Ausrichtungsmarken ermitteln.

HINWEIS

Um das Mehrfachkabel nicht zu beschädigen, beim Anschließen umsichtig vorgehen.



Montagebeispiel (Wandhalterung separat erhältlich)

- 1 Mehrfachkabel
- 2 Ausrichtungsmarke – Mehrfachkabel
- 3 Ausrichtungsmarke – Kamera

6. Schieben Sie die Gerätehalter der Kamera in die Öffnungen der Montagehalterung und rotieren Sie die Kameraeinheit.
7. Befestigen Sie die Netzwerkkamera an der Wandhalterung, indem Sie die Schrauben festziehen.

Zugriff auf das Produkt

Ermitteln Sie mit AXIS IP Utility und AXIS Device Manager die Axis-Geräte im Netzwerk und weisen Sie ihnen unter Windows® IP-Adressen zu. Beide Anwendungen sind kostenlos und können von axis.com/support heruntergeladen werden.

Weitere Informationen zur Nutzung dieses Produkts finden Sie im Benutzerhandbuch auf axis.com.

Zurücksetzen auf die werksseitigen Standardeinstellungen

Wichtig

Die Funktion zum Zurücksetzen auf die werksseitigen Standardeinstellungen sollte mit Vorsicht verwendet werden. Mit dieser Funktion werden alle Einstellungen einschließlich der IP-Adresse auf die werksseitigen Standardeinstellungen zurückgesetzt.

So wird das Produkt auf die werksseitigen Standardeinstellungen zurückgesetzt:

1. Die Steuertaste und die Netztaaste 15 bis 30 Sekunden lang gedrückt halten, bis die Status-LED bernsteinfarben blinkt. Siehe .
2. Lassen Sie die Steuertaste los, halten Sie die Netztaaste allerdings gedrückt, bis die Status-LED grün leuchtet.
3. Lassen Sie die Netztaaste los und montieren Sie das Gerät.
4. Der Vorgang ist damit abgeschlossen. Das Produkt wurde auf die Werkseinstellungen zurückgesetzt. Wenn kein DHCP-Server im Netzwerk verfügbar ist, lautet die Standard-IP-Adresse 192.168.0.90.
5. Verwenden Sie die Software-Tools für Installation und Verwaltung, um eine IP-Adresse zuzuweisen, ein Kennwort einzurichten und auf den Videostream zuzugreifen.

Die Parameter können auch über die Weboberfläche auf die Werkseinstellungen zurückgesetzt werden. **Einstellungen > Systemoptionen >Wartung** aufrufen und **Standard** anklicken.

Wartung

Reinigen des äußeren Kühlkörpers

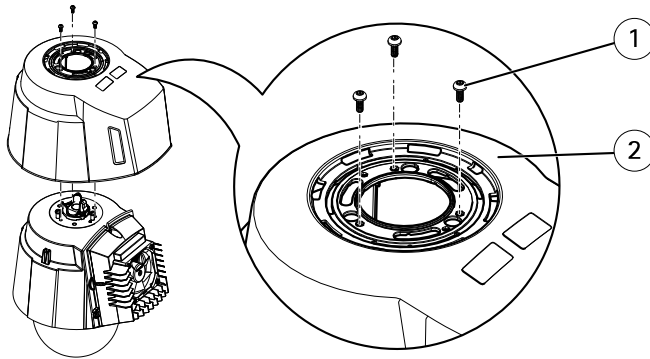
Staub und angesammelte Partikel könnten die Leistung des Kühlsystems beeinträchtigen. Damit die Leistung beibehalten wird, kann es nötig sein, den äußeren Kühlkörper des Kamera-Kühlsystems gelegentlich oder regelmäßig zu reinigen.

⚠VORSICHT

Der Kühlkörper kann heiß sein. Vorsicht beim Berühren des Kühlkörpers und seiner Abdeckung. Warten Sie ggf., bis sich die Kamera abgekühlt hat.

DE

1. Ziehen Sie das Mehrfachkabel ab.
2. Lösen Sie die Schrauben und nehmen Sie die Sonnenblende ab.



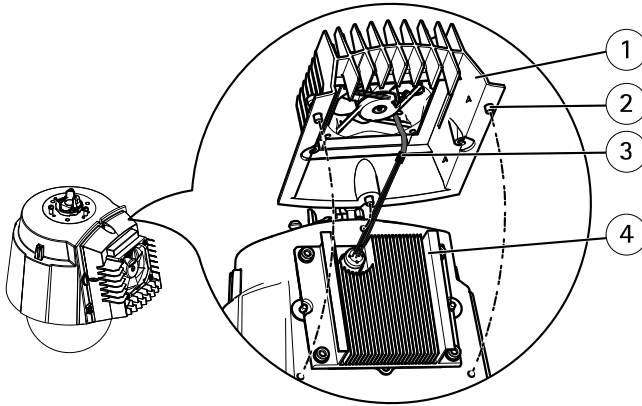
- 1 Schraube T20 (3x)
- 2 Sonnenblende

3. Entfernen Sie die Schrauben (Torx T30) und heben Sie die Abdeckung des Kühlkörpers an.

HINWEIS

Belasten Sie die Ventilator Kabel nicht oder lassen Sie die Abdeckung des Kühlkörpers nicht an den Ventilator Kabeln herab hängen.

AXIS Q6055-C PTZ Dome Network Camera



- 1 Abdeckung des Kühlkörpers
- 2 Schraube T30 (3x)
- 3 Ventilatkabel
- 4 Kühlkörper

4. Entfernen Sie Staub und Schmutzflecken durch Abblasen des Kühlkörpers, zum Beispiel mit einem kleinen Luftkompressor oder einer Druckluft-Sprühdose. Der Kühlkörper kann auch mit destilliertem Wasser abgespült werden.
5. Bringen Sie die Abdeckung des Kühlkörpers zurück in die Originalposition und ziehen Sie die Schrauben fest (Drehmoment $2,4 \pm 0,2$ Nm).
6. Bringen Sie die Sonnenblende zurück in die Originalposition und ziehen Sie die Schrauben fest (Drehmoment $1,2 \pm 0,1$ Nm).
7. Schließen Sie das Mehrfachkabel an den Kameraanschluss an.

Weitere Informationen

- Die aktuelle Version dieses Dokuments finden Sie auf axis.com
- Das Benutzerhandbuch steht auf axis.com zur Verfügung.
- Unter axis.com/support finden Sie die aktuellen Firmwareversionen für Ihr Gerät.
- Nützliches Onlinetraining und Webinare finden Sie unter axis.com/academy.

Optionales Zubehör

Eine vollständige Liste lieferbaren Zubehörs für dieses Produkt finden Sie auf axis.com unter Produkt, Software und Zubehör.

AXIS Q6055-C PTZ Dome Network Camera

Technische Daten

Die aktuelle Version des technischen Datenblatts für das Produkt finden Sie auf axis.com unter **Support und Dokumentation**.

LEDs

LED-Statusanzeige	Bedeutung
Leuchtet nicht	Anschluss und Normalbetrieb
Grün	Leuchtet bei Normalbetrieb nach Abschluss des Startvorgangs 10 Sekunden lang grün.
Gelb	Leuchtet beim Start. Blinkt während Firmware-Aktualisierung und Wiederherstellung der Werkseinstellungen.
Gelb/rot	Blinkt gelb/rot, wenn die Netzwerkverbindung nicht verfügbar ist oder unterbrochen wurde.
Rot	Firmware-Aktualisierung fehlgeschlagen.

Einschub für SD-Speicherkarte

HINWEIS

- Gefahr von Schäden an der SD-Karte. Beim Einsetzen oder Entfernen der SD-Karte keine scharfen Werkzeuge oder Gegenstände aus Metall benutzen und keine übermäßige Kraft anwenden. Setzen Sie die Karte per Hand ein. Das Gleiche gilt für das Entfernen.
- Gefahr von Datenverlust und Beschädigung von Aufzeichnungen. Die SD-Karte darf nicht entfernt werden, während das Produkt in Betrieb ist. Erst die SD-Karte über die Produktwebseite trennen, dann ausbauen.

Dieses Axis-Produkt unterstützt Karten des Typs SD/SDHC/SDXC.

Für Empfehlungen zu SD-Karten, siehe axis.com.

Tasten

Steuertaste

Zur Lage der Steuertaste, siehe *Übersicht über die Hardware auf Seite 50*.

Die Steuertaste hat folgende Funktionen:

- Zurücksetzen des Produkts auf die Werkseinstellungen. Siehe *Seite 58*.

- Anschließen an einen AXIS Video Hosting System-Service Weitere Informationen zu diesem Dienst finden Sie auf axis.com.

Netzschalter

Drücken Sie den Netzschalter und halten Sie diesen gedrückt, um das Produkt bei entfernter Kuppelabdeckung kurzzeitig anzuschalten. Der Netzschalter wird auch zusammen mit der Steuertaste verwendet, um die Kamera auf die werksseitigen Standardeinstellungen zurückzusetzen. Siehe *Seite 58*.

DE

Anschlüsse

Mehrfachanschluss

Klemmenanschluss zum mitgelieferten Medienkonverter-Switch, der die folgenden Signale ausgibt:

- Gleichstrom
- Netzwerk (Ethernet 10/100Base-T)
- Eingabe/Ausgabe (E/A)

Anschlüsse und E/A-Ports des Mehrfachkabels

Beachten

Das mitgelieferte Mehrfachkabel ist erforderlich, um die Schutzart (NEMA/IP) der Kamera zu gewährleisten.

Das eine Ende des Mehrfachkabels wird an den Mehrfachanschluss der Kamera angeschlossen, siehe *Übersicht über die Hardware auf Seite 50*.

Das andere Ende des Mehrfachkabels wird an den Media Converter Switch AXIS T8607 angeschlossen. Weitere Informationen sowie eine Übersicht über die E/A-Ports enthält die Installationsanleitung für dieses Produkt.

Betriebsbedingungen

Das Axis Produkt ist für die Verwendung im Außenbereich konzipiert.

AXIS Q6055-C PTZ Dome Network Camera

Klassifikation	IEC 60721-3-4 Klasse 4K4H, 4M4 IEC 60529 IP66 NEMA 250 Typ 4x MIL-STD 810G 500.5, 501.5, 502.5, 503.5, 505.5, 506.5, 507.5, 509.5, 510.5 ¹ , 514.6
Temperatur	-20 °C bis 75 °C bei aktiver Kühlung
Luftfeuchtigkeit	10 bis 100 % rF (kondensierend)

1. Staub- und sandgeschützt. Die klare/getönte Kuppelabdeckung muss bei Kontakt mit Sandstrahlen ersetzt werden.

Lagerbedingungen

Temperatur	-40 °C bis 65 °C
------------	------------------

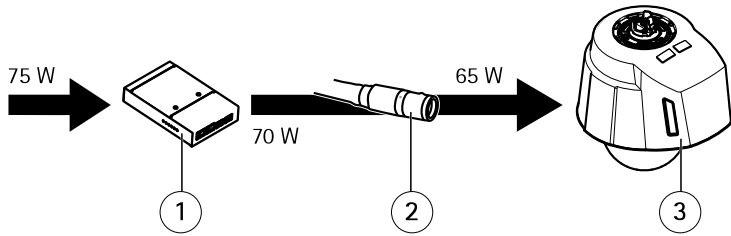
Elektrische Daten

HINWEIS

Verwenden Sie zur sicheren Einhaltung der Anforderungen für Schutzkleinspannung (SELV) und Stromquelle mit begrenzter Leistung (LPS) das von Axis empfohlene Netzteil (separat erhältlich). Weitere Informationen zu kompatibelem Zubehör für die Stromversorgung finden Sie unter www.axis.com.

Produkt	Funktion	Beschreibung
Axis-Netzwerkamera	Leistungsaufnahme	24 V Gleichstrom, min. 65 W
AXIS T8607 Media Converter Switch	Eingangsspannung	24 V Gleichstrom
	Leistungsaufnahme	min. 75 W
	Verfügbare Ausgangsleistung	min. 70 W
	Ausgangsnennspannung	24 V Gleichstrom
	Minimaler Eingangsstrom	3,2 A

AXIS Q6055-C PTZ Dome Network Camera



- 1 *AXIS T8607 Media Converter Switch*
- 2 *Mehrfachkabel*
- 3 *Axis-Netzwerkamera*

DE

Sicherheitsinformationen

Gefährdungsstufen

▲GEFAHR

Weist auf eine gefährliche Situation hin, welche, falls nicht verhindert, zu Tod oder schweren Verletzungen führen kann.

▲WARNUNG

Weist auf eine gefährliche Situation hin, welche, falls nicht verhindert, zu Tod oder schweren Verletzungen führen kann.

▲VORSICHT

Weist auf eine gefährliche Situation hin, welche, falls nicht verhindert, zu geringfügiger oder mäßiger Verletzung führen kann.

HINWEIS

Weist auf eine gefährliche Situation hin, welche, falls nicht verhindert, zu Sachschäden führen kann.

DE

Andere Meldeebenen

Wichtig

Weist auf wichtige Informationen hin, die den richtigen Betrieb des Produkts gewährleisten.

Beachten

Weist auf nützliche Informationen hin, die die optimale Verwendung des Produkts unterstützen.

Sicherheitsanweisungen

⚠ WARNUNG

Das Axis Produkt muss von fachmännisch geschultem Personal und unter Einhaltung der örtlich geltenden Bestimmungen installiert werden.

HINWEIS

- Das Axis-Produkt muss unter Beachtung der geltenden Gesetze und Bestimmungen betrieben werden.
- Lagern Sie das Axis Produkt in einer trockenen und belüfteten Umgebung.
- Das Axis-Produkt weder Stößen noch starkem Druck aussetzen.
- Das Produkt nicht an instabilen Masten, Halterungen, Oberflächen oder Wänden anbringen.
- Verwenden Sie bei der Installation des Axis Produkts ausschließlich passende Werkzeuge. Ein zu großer Kraftaufwand mit elektrischen Werkzeugen kann das Produkt beschädigen.
- Verwenden Sie keine chemischen, ätzenden oder aerosolhaltigen Reinigungsmittel.
- Verwenden Sie zum Reinigen ein sauberes, mit destilliertem Wasser angefeuchtetes Tuch.
- Verwenden Sie nur Zubehör, das den technischen Vorgaben Ihres Produkts entspricht. Dieses ist von Axis oder Drittanbietern erhältlich. Axis empfiehlt die mit Ihrem Produkt kompatible Stromversorgung von Axis.
- Verwenden Sie ausschließlich Ersatzteile die von Axis angeboten oder empfohlen werden.
- Versuchen Sie nicht, dieses Produkt selbsttätig zu reparieren. Wenden Sie sich bezüglich Reparatur und Wartung an den Axis Support oder Ihren Axis Händler.
- Richten Sie das Kameraobjektiv nicht direkt auf die Sonne oder andere starke Lichtquellen, um eine Beschädigung der Kamera zu vermeiden.

Transport

HINWEIS

- Bewahren Sie die Schutzverpackung auf. Bei Bedarf Axis Produkt in der Originalverpackung transportieren.
- Bei Bedarf transportieren Sie das Axis Produkt in der Originalverpackung oder einer entsprechenden Verpackung, so dass Schäden vermieden werden.

Batterie

Das Axis Produkt ist mit einer 3,0-V-BR2032-Lithium-Batterie ausgestattet, mit der die interne Echtzeituhr (RTC) versorgt wird. Unter normalen Bedingungen hat die Batterie eine Lebensdauer von mindestens fünf Jahren.

Eine nicht ausreichend geladene Batterie beeinträchtigt den Betrieb der Echtzeituhr, die dann bei jedem Systemstart zurückgesetzt wird. Sie erhalten eine Protokollnachricht im Serverbericht des

Produkts, wenn ein Batteriewechsel erforderlich ist. Weitere Informationen zum Serverbericht finden Sie auf den Webseiten des Produkts, oder wenden Sie sich an den Axis-Support.

Lithium-Knopfzellen (3,0 V) enthalten 1,2-Dimethoxyethan; Ethylenglycoldimethylether (EGDME), CAS-Nr. 110-71-4.

⚠️ WARNUNG

- Explosionsgefahr bei fehlerhaftem Batteriewechsel.
- Die Batterie darf nur durch eine identische Batterie ersetzt werden.
- Verbrauchte Batterien gemäß den örtlichen Vorschriften oder den Anweisungen des Herstellers entsorgen.

DE

Kuppelabdeckung

HINWEIS

- Achten Sie darauf, die Kuppelabdeckung weder zu zerkratzen, zu beschädigen oder darauf Fingerabdrücke zu hinterlassen, da dies die Bildqualität beeinträchtigen kann. Falls möglich entfernen Sie die Schutzfolie erst nachdem die Installation abgeschlossen ist.
- Säubern Sie die Kuppelabdeckung nicht, wenn diese sauber erscheint, und polieren Sie niemals die Oberfläche. Zu häufiges Säubern kann die Oberfläche beschädigen.
- Für die normale Reinigung der Kuppelabdeckung werden eine nicht-scheuernde, lösungsmittelfreie neutrale Seife oder ein entsprechendes Reinigungsmittel mit destilliertem Wasser und ein sauberer, weicher Lappen empfohlen. Spülen Sie die Kuppelabdeckung gründlich mit lauwarmem destilliertem Wasser ab. Um Wasserflecken zu vermeiden, die Kuppelabdeckung mit einem weichen, sauberen Lappen reinigen.
- Keine aggressiven Reinigungsmittel, Waschbenzin, Benzol, Aceton oder ähnliche Chemikalien verwenden.
- Die Kuppelabdeckung nicht in direktem Sonnenlicht oder bei erhöhten Temperaturen säubern.
- Die Kamera darf nur mit angebrachter Kuppel betrieben werden, damit der Fokus nicht beeinträchtigt wird.

Contenuto della confezione

- Telecamera di rete a cupola PTZ AXIS Q6055-C
- Cupola di protezione trasparente (premontata)
- Switch Media Converter AXIS T8607
- Multicavo (IP66), 7 m
- Materiale cartaceo
 - Guida all'installazione (questo documento)
 - Etichetta aggiuntiva con numero di serie (2x)
 - Chiave di autenticazione AVHS

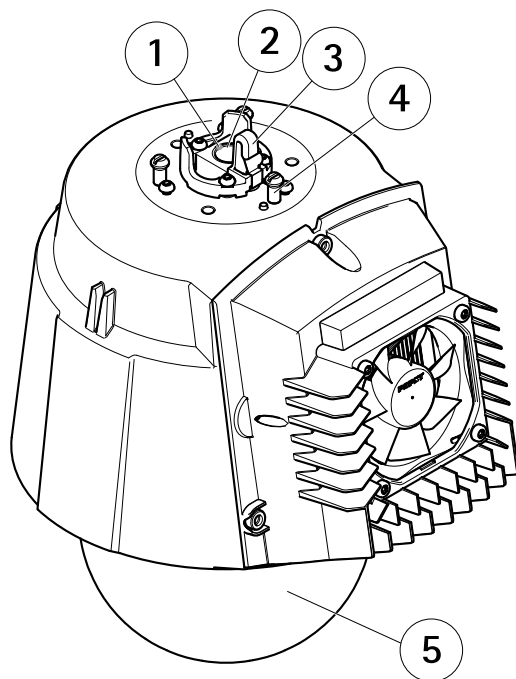
AXIS Q6055-C PTZ Dome Network Camera

Panoramica dell'hardware

Per le specifiche dei componenti hardware, vedere *Specifiche alla pagina 84*.

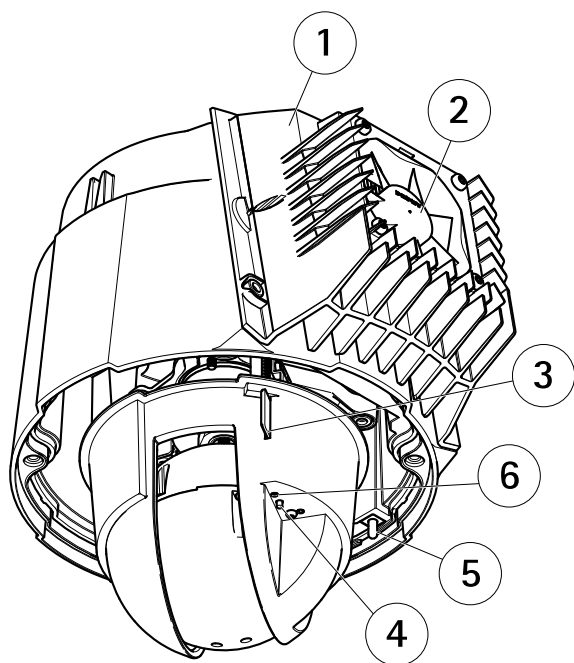
AWISO

Assicurarsi che la cupola venga installata quando il dispositivo è operativo in modo da non alterare la messa a fuoco.



Visualizzazione superiore

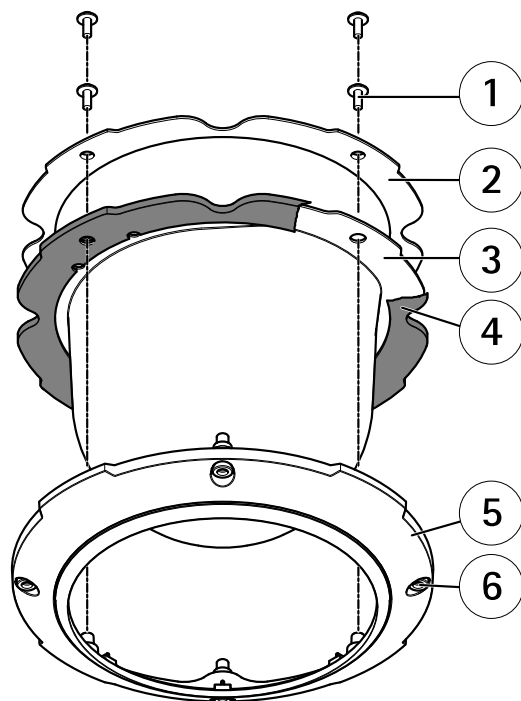
- 1 *Indicatore di allineamento*
- 2 *Multi-connettore*
- 3 *Gancio per cavo di sicurezza*
- 4 *Supporto unità (3x)*
- 5 *Cupola*



Vista dal basso

- 1 *Sistema di raffreddamento*
- 2 *Ventola*
- 3 *Slot per scheda SD (SDHC)*
- 4 *Pulsante di comando*
- 5 *Tasto di accensione (solo per le impostazioni predefinite)*
- 6 *Indicatore LED di stato*

AXIS Q6055-C PTZ Dome Network Camera



- 1 Vite staffa cupola PH2 (4)
- 2 Staffa cupola
- 3 Coperchio della cupola
- 4 Guarnizione in gomma
- 5 Anello cupola
- 6 Viti anello cupola T30 (4)

Come installare il dispositivo

Leggere attentamente tutte le istruzioni prima di installare il dispositivo. Alcune fasi d'installazione dovrebbero essere eseguite in parallelo perché richiedono la rimozione della cupola.

AVVISO

- A causa di normative locali o condizioni ambientali ed elettriche in cui il dispositivo deve essere utilizzato, può essere opportuno o necessario l'utilizzo di un cavo di rete schermato (STP). Tutti i cavi di rete del dispositivo posizionati all'aperto o in ambienti elettrici in condizioni difficili sono destinati al loro uso specifico. Accertarsi che i dispositivi di rete siano installati secondo le istruzioni del produttore. Per maggiori informazioni sui requisiti normativi, consultare *Regulatory information on page 4*.
- Montare il dispositivo la cupola di protezione rivolta verso il basso.
- La telecamera è dotata di una membrana deumidificante per mantenere basso il livello di umidità nella cupola. Per evitare fenomeni di condensa, non smontare il dispositivo in caso di pioggia o elevata umidità atmosferica.
- Fare attenzione a non graffiare, danneggiare o lasciare impronte sulla cupola di protezione, perché potrebbe diminuire la qualità dell'immagine. Se possibile, tenere la protezione in plastica sulla cupola fino a quando l'installazione non sarà completata.

IT

Il dispositivo può essere montato installando i cavi attraverso o lungo la parete o il tetto.

Strumenti consigliati

- Spelafili (connessione cavo)
- Cacciavite Philips PH2 (sostituzione della cupola)
- Cacciavite Torx® T20 (pulitura del dissipatore di calore esterno se necessaria)
- Cacciavite Torx® T30 (rimozione della cupola di protezione, adattatore staffa AXIS T91A, sostituzione cupola)
- Tronchese (cavi)

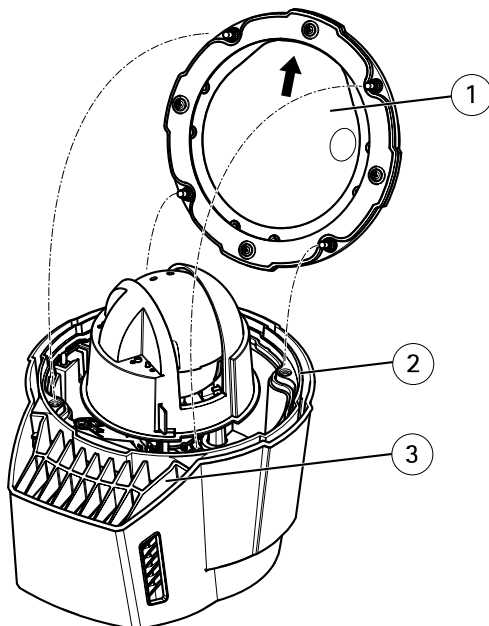
Come sostituire la cupola di protezione (facoltativa)

La cupola di protezione trasparente premontata può essere sostituita se si desidera utilizzare la cupola oscurata o se la cupola è graffiata o danneggiata. È possibile acquistare cupole oscurate o trasparenti di ricambio presso il proprio rivenditore Axis.

1. Allentare le viti dell'anello della cupola e rimuoverla.
2. Rimuovere le viti della staffa della cupola e rimuovere la staffa della cupola e la cupola di protezione dall'anello della cupola.
3. Assicurarci che la guarnizione in gomma sia ben fissata alla cupola di protezione.
4. Allineare la protuberanza sulla cupola con uno dei logotipi sull'anello della cupola.

AXIS Q6055-C PTZ Dome Network Camera

5. Fissare la staffa della cupola e la cupola di protezione all'anello della cupola e serrare le viti (coppia 1,2 Nm).
6. Per installare una scheda SD, consultare *Come installare una scheda SD (facoltativa)* alla pagina 76.
7. Per fissare la cupola di protezione alla copertura superiore, allineare la protuberanza sulla cupola di protezione con il sistema di raffreddamento della telecamera e serrare le viti (coppia 1.5 Nm).



- 1 *Cupola di protezione*
- 2 *Coperchio superiore*
- 3 *Sistema di raffreddamento*

Come installare una scheda SD (facoltativa)

L'installazione di una scheda SD è facoltativa. Una scheda SD standard o ad alta capacità (non inclusa) può essere utilizzata per memorizzare le registrazioni localmente nel dispositivo.

1. Allentare le viti dell'anello della cupola e rimuovere la cupola di protezione.
2. Inserire una scheda SD nello slot per schede SD.
3. Per fissare la cupola di protezione alla copertura superiore, allineare la protuberanza sulla cupola con il riscaldatore della telecamera e serrare le viti (serraggio 1,5 Nm).

Modalità di installazione di AXIS T8607 Media Converter Switch

AXIS T8607 Media Converter Switch consente al multicavo di inviare alimentazione dall'alimentatore (venduto separatamente) nonché di inviare e ricevere dati a e da dispositivi di allarme esterni e dalla rete.

Per le informazioni complete sull'installazione di AXIS T8607 Media Converter Switch, vedere la guida all'installazione fornita con il dispositivo.

Come installare la telecamera di rete

AVVISO

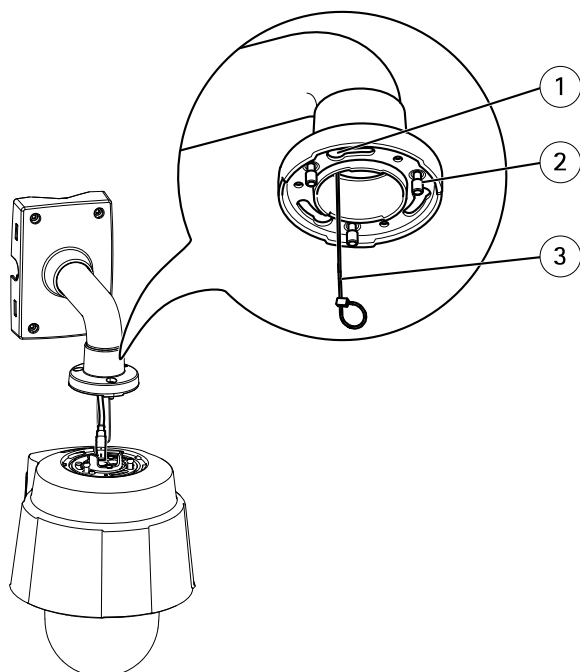
È necessario utilizzare il cavo multi-connettore in dotazione per mantenere inalterate le caratteristiche di tenuta e protezione di classe IP66 della telecamera.

IT

Rimuovere l'imballaggio protettivo tra la telecamera e il parasole prima di installare la telecamera.

1. Installare la staffa selezionata in base alle istruzioni fornite. Se è necessario forare, assicurarsi di utilizzare punte, viti e tasselli adatti al materiale.
2. Passare il multicavo attraverso i fori della staffa di montaggio.
3. Fissare la telecamera utilizzando il cavo di sicurezza in dotazione.

AXIS Q6055-C PTZ Dome Network Camera

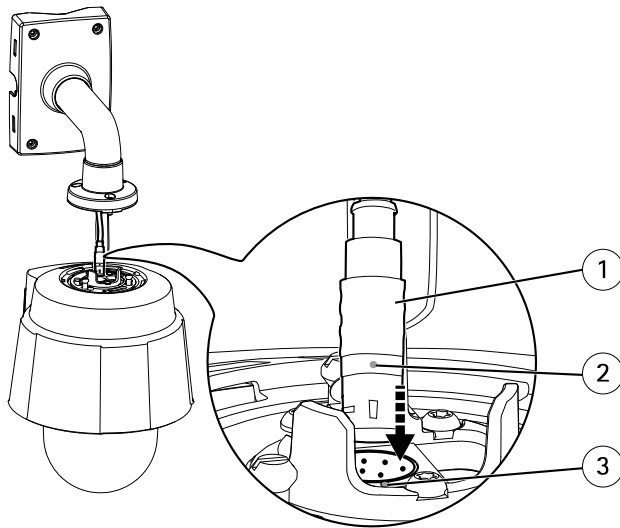


Esempio di montaggio (staffa a parete venduta separatamente)

- 1 *Alloggiamento per i supporti dell'unità (3x)*
 - 2 *Vite T30 (2x)*
 - 3 *Cavo di sicurezza*
4. Rimuovere il cappuccio di protezione che copre il multiconnettore sulla telecamera.
 5. Collegare il multicavo alla morsettiera della telecamera. Usare gli indicatori di allineamento per trovare la posizione corretta.

AWISO

Fare attenzione a non danneggiare il multicavo quando lo si collega.



Esempio di montaggio (staffa a parete venduta separatamente)

- 1 *Multicavo*
- 2 *Indicatore di allineamento - multicavo*
- 3 *Indicatore di allineamento - telecamera*

6. Far scorrere i supporti dell'unità sulla telecamera nelle fessure della staffa di montaggio e ruotare la telecamera.
7. Fissare la telecamera di rete alla staffa di montaggio serrando le viti.

Modalità di accesso al dispositivo

Per trovare i dispositivi Axis sulla rete e assegnare loro un indirizzo IP in Windows®, utilizza AXIS IP Utility o AXIS Device Manager. Queste applicazioni sono entrambe gratuite e possono essere scaricate dal sito Web axis.com/support

Per ulteriori informazioni sull'utilizzo del dispositivo, consultare il Manuale per l'utente disponibile sul sito Web all'indirizzo: axis.com

Modalità di ripristino dei valori predefiniti di fabbrica

Importante

Il ripristino dei valori predefiniti di fabbrica deve essere utilizzato con cautela. Tale operazione consentirà di ripristinare i valori predefiniti di fabbrica per tutte le impostazioni, incluso l'indirizzo IP.

Per ripristinare il dispositivo ai valori predefiniti di fabbrica:

1. Tenere premuti il pulsante di controllo e il pulsante di accensione per 15-30 secondi finché il LED di stato non lampeggia in giallo. Consultare .
2. Rilasciare il pulsante di comando, ma continuare a tenere premuto il pulsante di accensione finché l'indicatore LED di stato emette una luce verde.
3. Rilasciare il pulsante di accensione e montare il dispositivo.
4. A questo punto il processo è completato. Il dispositivo è stato reimpostato alle impostazioni di fabbrica predefinite. Se nessun server DHCP è disponibile in rete, l'indirizzo IP predefinito è 192.168.0.90.
5. Utilizzare gli strumenti per l'installazione e la gestione del software per assegnare un indirizzo IP, impostare la password e accedere al flusso video.

È anche possibile reimpostare i parametri ai valori predefiniti di fabbrica mediante l'interfaccia Web. Andare a **Impostazioni > Sistema > Manutenzione** e fare clic su **Predefinito**.

Manutenzione

Come pulire il dissipatore di calore esterno

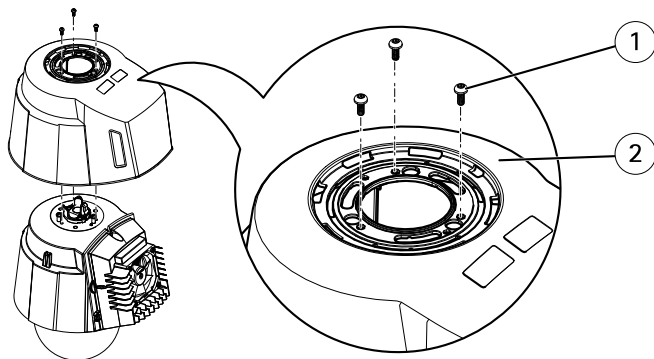
La formazione di polvere e particelle potrebbe influire sulle prestazioni del sistema di raffreddamento. Per mantenere il livello di prestazioni, il dissipatore di calore esterno nel sistema di raffreddamento della telecamera può necessitare occasionalmente o regolarmente di pulizia.

ATTENZIONE

Il dissipatore di calore potrebbe essere caldo. Fare attenzione quando si tocca il dissipatore di calore e il coperchio del dissipatore di calore. Se necessario, lasciar raffreddare la telecamera prima di toccarla.

1. Scollegare il multicavo.
2. Allentare le viti e rimuovere il parasole.

IT



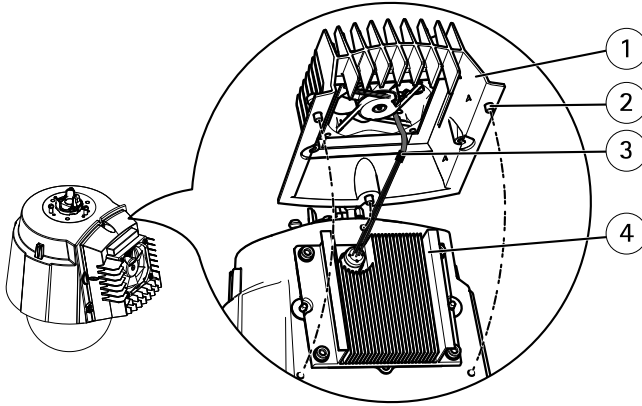
- 1 Vite T20 (3x)
- 2 Parasole

3. Rimuovere le viti (Torx T30) e sollevare il coperchio del dissipatore di calore.

AVISO

Non deformare i cavi dei ventilatori o lasciare che il coperchio del dissipatore di calore rimanga appeso ai cavi del ventilatore.

AXIS Q6055-C PTZ Dome Network Camera



- 1 Coperchio del dissipatore di calore
- 2 Vite T30 (3x)
- 3 Cavi del ventilatore
- 4 Dissipatore di calore

4. Rimuovere la polvere e i granelli di polvere soffiando sul dissipatore di calore, per esempio usando un piccolo compressore d'aria o una bomboletta d'aria compressa. Il dissipatore di calore può anche essere risciacquato con acqua pura.
5. Rimontare il dissipatore di calore nella posizione originale, quindi serrare le viti (coppia 2.4 ± 0.2 Nm).
6. Rimontare il parasole nella posizione originale, quindi serrare le viti (coppia $1,2 \pm 0,1$ Nm).
7. Collegare il multicavo alla morsettiera della telecamera.

Ulteriori Informazioni

- Per la versione più recente di questo documento, visitare il sito all'indirizzo axis.com
- Il manuale per l'utente è disponibile all'indirizzo axis.com
- Per verificare se sono stati pubblicati aggiornamenti del firmware per il proprio dispositivo, vedere axis.com/support
- Per servizi di formazione utili e webinar, visita il sito axis.com/academy

Accessori opzionali

Per un elenco completo degli accessori disponibili per questo dispositivo, andare alla pagina del dispositivo al sito axis.com e selezionare Software e accessori.

AXIS Q6055-C PTZ Dome Network Camera

Specifiche

Per la versione più aggiornata della scheda tecnica del dispositivo, visitare il sito Web axis.com e trovare la sezione **Support & Documentation (Supporto e documentazione)**.

Indicatori LED

LED di stato	Indicazione
Spento	Connessione e funzionamento normale.
Verde	Una luce verde fissa per 10 secondi indica il normale funzionamento una volta completato l'avvio.
Giallo	Luce fissa durante l'avvio. Lampeggia durante l'aggiornamento del firmware o il ripristino delle impostazioni predefinite.
Giallo/rosso	Lampeggia in giallo/rosso se il collegamento di rete non è disponibile o è stato perso.
Rosso	Errore durante l'aggiornamento del firmware.

Slot per schede di memoria

AVISO

- Rischio di danneggiamento della scheda di memoria SD. Non utilizzare strumenti appuntiti oppure oggetti metallici e non esercitare eccessiva forza durante l'inserimento o la rimozione della scheda di memoria. Utilizzare le dita per inserire e rimuovere la scheda.
- Rischio di perdita di dati e danneggiamento delle registrazioni. Non rimuovere la scheda di memoria mentre il dispositivo è in funzione. Smontare la scheda di memoria dalle pagine Web del dispositivo prima di rimuoverla.

Questo dispositivo supporta schede di memoria SD/SDHC/SDXC.

Visitare axis.com per i consigli sulla scheda SD

Pulsanti

Pulsante di comando

Per l'ubicazione del pulsante di comando, vedere *Panoramica dell'hardware alla pagina 72*.

Il pulsante di comando viene utilizzato per:

- Ripristino del dispositivo alle impostazioni predefinite di fabbrica. Consultare *pagina 80*.

- Collegarsi a un servizio AXIS Video Hosting System. Per ulteriori informazioni su questo servizio, vedere il sito axis.com

Tasto di accensione

Tenere premuto il tasto di accensione per alimentare il prodotto temporaneamente quando è stata rimossa la cupola di protezione. Il pulsante di accensione è utilizzato anche con il tasto di controllo per ripristinare la fotocamera alle impostazioni predefinite di fabbrica. Consultare *pagina 80*.

Connettori

Multi-connettore

Connettore terminale per collegare il media converter switch in dotazione, che fornisce i seguenti segnali:

- Alimentazione CC
- Rete (Ethernet 10/100Base-T)
- Input/Output (I/O)

Connettori multicavo e porte I/O

Nota

Il multicavo in dotazione è necessario per mantenere la classificazione NEMA/IP del dispositivo.

Il multicavo è connesso al multiconnettore della telecamera, vedere *Panoramica dell'hardware alla pagina 72*.

L'altra estremità del multicavo è collegata ad AXIS T8607 Media Converter Switch. Vedere la guida all'installazione del dispositivo per ulteriori informazioni, compresa una panoramica delle porte I/O.

Condizioni di funzionamento

Il dispositivo Axis è destinato all'uso esterno.

AXIS Q6055-C PTZ Dome Network Camera

Classificazione	IEC 60721-3-4 Classe 4K4H, 4M4 IEC 60529 IP66 NEMA 250 Type 4x MIL-STD 810G 500.5, 501.5, 502.5, 503.5, 505.5, 506.5, 507.5, 509.5, 510.5 ¹ , 514,6
Temperatura	Da -20 °C a 75 °C con raffreddamento attivo
Umidità	10-100% (umidità relativa con condensa)

1. Protetto da polvere e sabbia. La sostituzione della cupola di protezione trasparente/scura può essere necessaria se esposta a sabbia.

Condizioni di immagazzinaggio

Temperatura	Da -40 °C a 65 °C (da -40 °F a 149 °F)
-------------	---

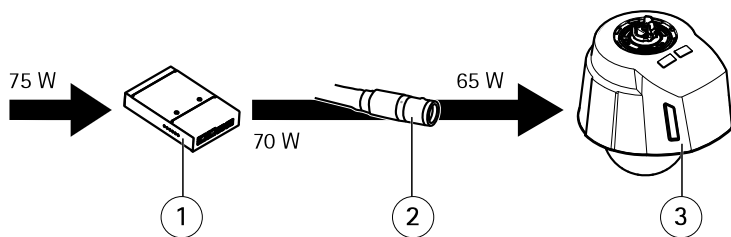
Specifiche elettriche

AWISO

Per stabilire la conformità ai requisiti di Bassissima Tensione di Sicurezza (SELV) e potenza limitata (LPS), utilizzare l'alimentatore elettrico (venduto separatamente) consigliato da Axis. Visitare il sito Web www.axis.com per informazioni sugli accessori per l'alimentazione compatibili

Dispositivo	Funzione	Descrizione
Telecamera di rete Axis	Potenza di ingresso	24 V CC, min 65 W
AXIS T8607 Media Converter Switch	Tensione in ingresso	24 V CC
	Potenza di ingresso	min 75 W
	Potenza in uscita disponibile	min 70 W
	Tensione nominale in uscita	24 V CC
	Corrente in ingresso minima	3,2 A

AXIS Q6055-C PTZ Dome Network Camera



- 1 *AXIS T8607 Media Converter Switch*
- 2 *Multicavo*
- 3 *Telecamera di rete Axis*

Informazioni di sicurezza

Livelli di pericolo

▲PERICOLO

Indica una situazione pericolosa che, se non evitata, provoca morte o lesioni gravi.

▲AVVERTENZA

Indica una situazione pericolosa che, se non evitata, potrebbe provocare la morte o lesioni gravi.

▲ATTENZIONE

Indica una situazione pericolosa che, se non evitata, potrebbe provocare lesioni medie o minori.

AVVISO

Indica una situazione che, se non evitata, potrebbe danneggiare la proprietà.

IT

Altri livelli di messaggio

Importante

Indica informazioni importanti, essenziali per il corretto funzionamento del dispositivo.

Nota

Indica informazioni utili che aiutano a ottenere il massimo dal dispositivo.

AXIS Q6055-C PTZ Dome Network Camera

Informazioni di sicurezza

⚠AVVERTENZA

Il dispositivo Axis deve essere installato da un professionista qualificato, in conformità alle leggi e alle disposizioni locali.

AWISO

- Il dispositivo Axis deve essere utilizzato in conformità alle leggi e alle normative locali.
- Conservare il dispositivo Axis in un ambiente asciutto e ventilato.
- Evitare di esporre il dispositivo Axis a urti o pressioni eccessive.
- Non installare il dispositivo su supporti, superfici, pareti o pali instabili.
- Utilizzare solo strumenti applicabili quando si installa il dispositivo Axis. Se si utilizza una forza eccessiva con strumenti non adatti è possibile causare danni al dispositivo.
- Non utilizzare sostanze chimiche, agenti caustici o detergenti aerosol.
- Utilizzare un panno pulito inumidito in acqua pura per la pulizia.
- Utilizzare solo accessori compatibili con le specifiche tecniche del dispositivo. Questi possono essere forniti da Axis o da terze parti. Axis consiglia l'uso dell'apparecchiatura di alimentazione Axis compatibile con il dispositivo.
- Utilizzare solo parti di ricambio fornite o consigliate da Axis.
- Non tentare di riparare il dispositivo da soli. Contattare l'assistenza o il rivenditore Axis per questioni relative alla manutenzione.
- Non rivolgere l'obiettivo della telecamera verso il sole o altre sorgenti di radiazioni molto intense poiché si potrebbe danneggiare la telecamera.

Trasporto

AWISO

- Conservare l'imballaggio di protezione. Durante il trasporto del dispositivo Axis, l'imballaggio di protezione deve essere ricollocato nella sua posizione originale.
- Durante il trasporto del dispositivo Axis, utilizzare l'imballaggio originale o equivalente per evitare danni al dispositivo.

Batteria

Il dispositivo Axis utilizza una batteria al litio da 3,0 V BR2032 come alimentazione per il suo real-time clock (RTC) interno. In condizioni normali questa batteria avrà una durata minima di cinque anni.

Una bassa carica della batteria influisce sul funzionamento del RTC, facendolo resettare a ogni accensione. Quando la batteria deve essere sostituita, un messaggio di registro viene visualizzato

nel report server del dispositivo. Per ulteriori informazioni sul report server, vedere la pagina Web del dispositivo o contattare l'assistenza Axis.

Le batterie a bottone al litio da 3 V contengono 1,2-dimetossietano; etere dimetilico di glicole etilenico (EGDME), CAS n. 110-71-4.

⚠AVVERTENZA

- Rischio di esplosione se la batteria viene sostituita in modo errato.
- La batteria può essere sostituita solo con una batteria identica.
- Le batterie devono essere smaltite in base alle normative locali o alle istruzioni del produttore della batteria.

Copertura a cupola

AVVISO

- Fare attenzione a non graffiare, danneggiare o lasciare impronte sulla cupola di protezione, perché potrebbe diminuire la qualità dell'immagine. Se possibile, tenere la protezione in plastica sul coperchio della cupola fino a quando l'installazione non sarà completata.
- Non pulire il coperchio della cupola quando allo sguardo sembra pulito e non lucidare la superficie. Una pulizia eccessiva potrebbe danneggiare la superficie.
- Per la pulizia generale del coperchio della cupola, si consiglia di utilizzare un sapone neutro o detergente non abrasivo con acqua pura e un panno morbido e pulito. Sciacquare bene con acqua pura tiepida. Asciugare con un panno morbido e pulito per evitare macchie d'acqua.
- Non usare mai detersivi aggressivi, benzina, benzene, acetone o sostanze chimiche simili.
- Evitare di pulire il coperchio della cupola alla luce diretta del sole o a temperature elevate.
- Assicurarsi che la cupola venga installata quando il dispositivo è operativo in modo da non alterare la messa a fuoco.

Contenido del paquete

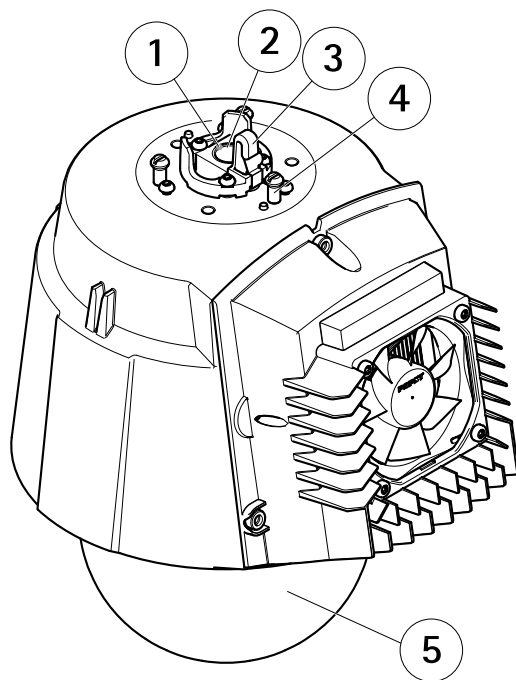
- Cámara de red domo PTZ AXIS Q6055-C
- Cubierta del domo transparente (premontada)
- Switch convertidor de mediosAXIS T8607
- Multicable (IP66), 7 m
- Materiales impresos
 - Guía de instalación (este documento)
 - Etiqueta adicional con el número de serie (2)
 - Clave de autenticación AVHS

Información general del hardware

Para conocer las especificaciones de los componentes del hardware, vea *Especificaciones en la página 106*.

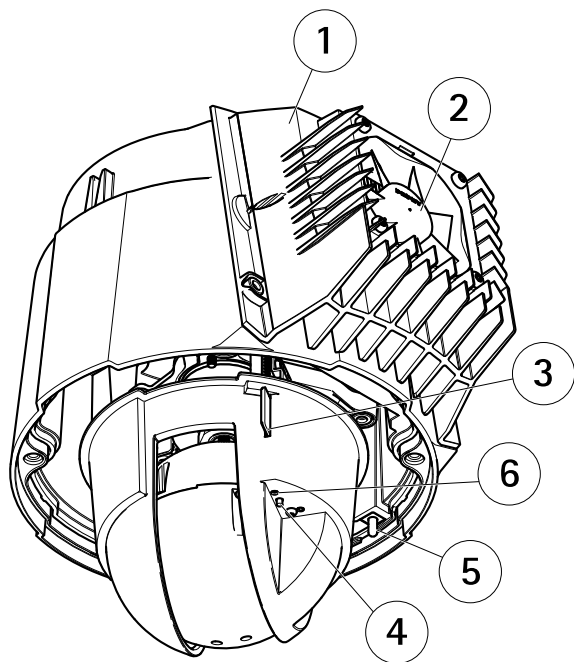
AVISO

Asegúrese de conectar el domo en modo de funcionamiento, si no, el enfoque puede verse afectado.



Vista superior

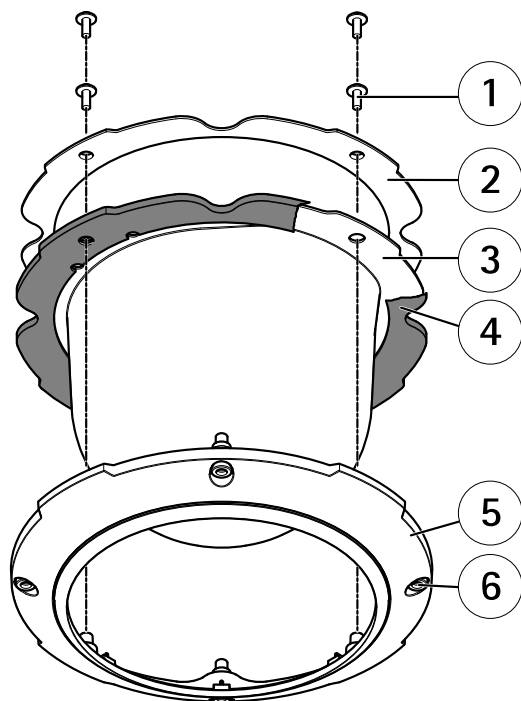
- 1 *Indicador de alineación*
- 2 *Multiconector*
- 3 *Gancho para cable de seguridad*
- 4 *Soporte de la unidad (3)*
- 5 *Domo*



Vista inferior

- 1 *Sistema de refrigeración*
- 2 *Ventilador*
- 3 *Ranura para tarjetas SD (SDHC)*
- 4 *Botón de control*
- 5 *Botón de encendido (solo con configuración predeterminada de fábrica)*
- 6 *LED indicador de Estado*

AXIS Q6055-C PTZ Dome Network Camera



- 1 *Tornillo del soporte del domo PH2 (4x)*
- 2 *Soporte del domo*
- 3 *Cubierta del domo*
- 4 *Junta de goma*
- 5 *Anillo del domo*
- 6 *Tornillo del anillo del domo T30 (4x)*

Cómo instalar el producto

Lea todas las instrucciones antes de instalar el producto. Es recomendable realizar algunos pasos de la instalación juntos, ya que en ellos se precisa la extracción de la cubierta del domo.

AVISO

- Debido a la normativa local o a las condiciones ambientales y eléctricas en las que se vaya a utilizar el producto, puede que sea adecuado u obligatorio el uso de un cable de red blindado (STP). Todos los cables que conectan el producto a la red y que se utilicen en exteriores o en entornos eléctricos exigentes deberán estar blindados y diseñados para su uso específico. Asegúrese de que los dispositivos de red estén instalados de conformidad con las instrucciones del fabricante. Para obtener información sobre los requisitos normativos, vea *Regulatory information on page 4*.
- Monte el producto con la cubierta del domo mirando hacia abajo.
- El producto cuenta con una membrana deshumidificadora para la conservación de niveles bajos de humedad dentro del domo. Para evitar la condensación, no desmonte el producto en situaciones de lluvia o humedad.
- Preste atención a no arañar, dañar o dejar las huellas en la cubierta del domo, puesto que esto puede provocar una disminución de la calidad de imagen. Si es posible, mantenga el plástico de protección en la cubierta del domo hasta que se complete la instalación.

ES

El producto puede montarse tendiendo los cables a través de la pared o sobre esta, o en el techo.

Herramientas recomendadas

- Pelacables (conexión de cable)
- Destornillador Philips PH2 (sustitución de domo)
- Destornillador Torx® T20 (limpieza del disipador térmico exterior cuando sea necesario)
- Destornillador Torx® T30 (desmontaje de la cubierta del domo, adaptador de soporte AXIS T91A, sustitución de domo)
- Alicates de corte diagonal (cables)

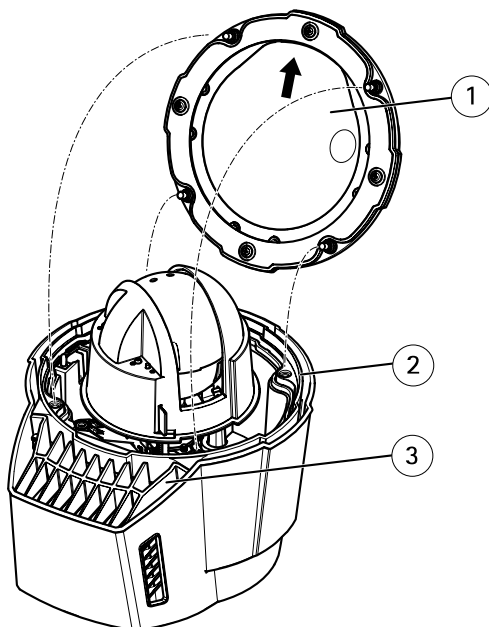
Cómo sustituir la cubierta del domo (opcional)

La cubierta del domo transparente premontada se puede sustituir si desea usar una cubierta ahumada o si la cubierta del domo se ha arañado o dañado. Su distribuidor de Axis puede proporcionarle las cubiertas del domo ahumadas y las normales de repuesto.

1. Afloje los tornillos del anillo del domo y extraiga la cubierta del domo.
2. Extraiga los tornillos del soporte del domo y retire el soporte y la cubierta del domo del anillo.
3. Asegúrese de que la junta de goma se ajusta correctamente a la cubierta del domo.
4. Alinee la protuberancia de la cubierta del domo con los logotipos del anillo del domo.

AXIS Q6055-C PTZ Dome Network Camera

5. Fije el soporte del domo y la cubierta del domo al anillo de este y apriete los tornillos (par de torsión de 1,2 Nm).
6. Para instalar una tarjeta SD, vea *Cómo instalar una tarjeta SD (opcional)* en la página 98.
7. Para conectar la cubierta del domo a la cubierta superior, alinee la protuberancia de la cubierta del domo con el sistema de refrigeración de la unidad de cámara y apriete los tornillos (par de torsión de 1,5 Nm).



- 1 *Cubierta del domo*
- 2 *Cubierta superior*
- 3 *Sistema de refrigeración*

Cómo instalar una tarjeta SD (opcional)

La instalación de una tarjeta SD es opcional. Puede emplearse una tarjeta SD estándar o de gran capacidad (no incluida) para el almacenamiento local de grabaciones en el producto.

1. Afloje los tornillos del anillo del domo y extraiga la cubierta del domo.
2. Inserte una tarjeta SD en la ranura para tarjetas SD.
3. Para fijar la cubierta del domo a la cubierta superior, alinee la protuberancia de la cubierta del domo con el calefactor de la unidad de cámara y apriete los tornillos (par de torsión de 1,5 Nm).

Cómo instalar AXIS T8607 Media Converter Switch

El AXIS T8607 Media Converter Switch suministrado facilita que el multicable proporcione corriente desde la fuente de alimentación (se vende por separado); además de permitir que se envíen y reciban datos desde y hacia los dispositivos de alarma externos y la red.

Para obtener información acerca de cómo instalar el AXIS T8607 Media Converter Switch, consulte la guía de instalación que se suministra con el producto.

Cómo instalar la cámara de red

AVISO

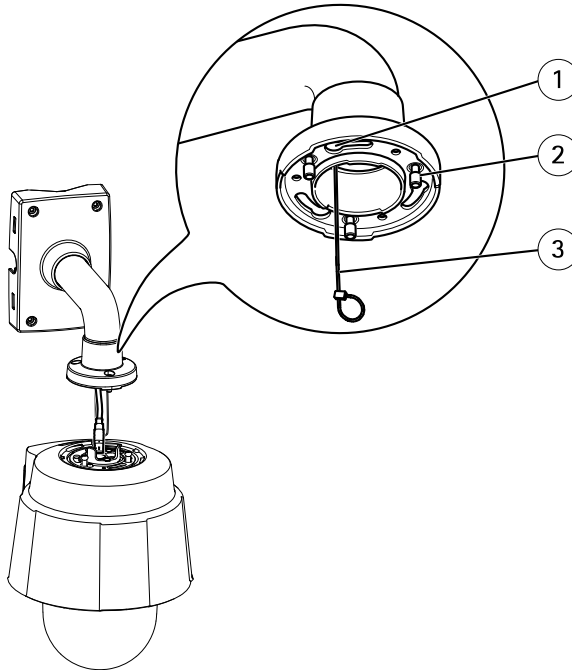
Para cumplir con el diseño de la clasificación IP66 de la cámara y mantener la protección IP66, debe usarse el cable multiconector suministrado.

Retire el embalaje de protección entre la cámara y el parasol antes de instalar la cámara.

1. Instale el soporte seleccionado según las instrucciones que lo acompañan. Si es necesaria la perforación, asegúrese de usar brocas, tornillos y tacos apropiados para el material.
2. Pase el multicable por los orificios del soporte de montaje.
3. Fije la cámara con el cable de seguridad suministrado.

ES

AXIS Q6055-C PTZ Dome Network Camera



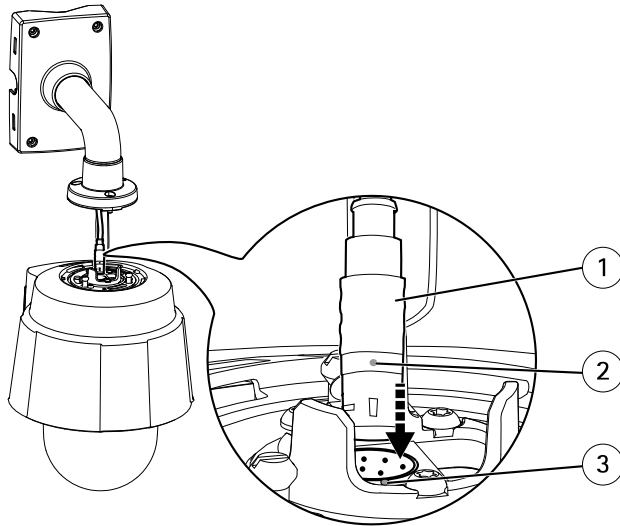
Ejemplo de montaje (el soporte de pared se vende por separado)

- 1 Ranura para soportes de unidades (3)
- 2 Tornillo T30 (2)
- 3 Cable de seguridad

4. Extraiga la tapa protectora que cubre el multiconector de la cámara.
5. Enchufe el multicable al conector de la cámara. Utilice los indicadores de alineación para encontrar la posición correcta.

AVISO

Asegúrese de no dañar el multicable cuando lo conecte.



Ejemplo de montaje (el soporte de pared se vende por separado)

- 1 *Multicable*
- 2 *Indicador de alineación: multicable*
- 3 *Indicador de alineación: cámara*

6. Deslice los soportes de la unidad de la cámara por las ranuras del soporte de montaje y gire la unidad de cámara.
7. Fije la cámara de red al soporte de montaje ajustando los tornillos.

Cómo acceder al producto

Para localizar dispositivos de Axis en la red y asignarles direcciones IP en Windows®, utilice AXIS IP Utility o AXIS Device Manager. Ambas aplicaciones son gratuitas y pueden descargarse desde axis.com/support

Para obtener más información sobre el uso del producto, consulte el manual del usuario, disponible en axis.com.

Cómo restablecer la configuración predeterminada de fábrica

Importante

Es preciso tener cuidado si se va a restablecer la configuración predeterminada de fábrica. Todos los valores, incluida la dirección IP, se restablecerán a la configuración predeterminada de fábrica.

Para restablecer el producto a la configuración predeterminada de fábrica:

1. Mantenga pulsados los botones de control y de alimentación durante 15-30 segundos hasta que el indicador LED de estado parpadee en ámbar. Consulte .
2. Suelte el botón de control, pero mantenga pulsado el botón de alimentación hasta que el indicador LED de estado cambie a verde.
3. Suelte el botón de alimentación y monte el producto.
4. El proceso se ha completado. El producto se ha restablecido a la configuración predeterminada de fábrica. Si no hay ningún servidor DHCP disponible en la red, la dirección IP predeterminada es 192.168.0.90.
5. Utilice las herramientas del software de instalación y gestión para asignar una dirección IP, establecer la contraseña y acceder a la transmisión de vídeo.

También es posible restablecer los parámetros a los valores predeterminados de fábrica mediante la interfaz web. Vaya a **Settings > System > Maintenance (Ajustes > Sistema > Mantenimiento)** y haga clic en **Default (Predeterminado)**.

Mantenimiento

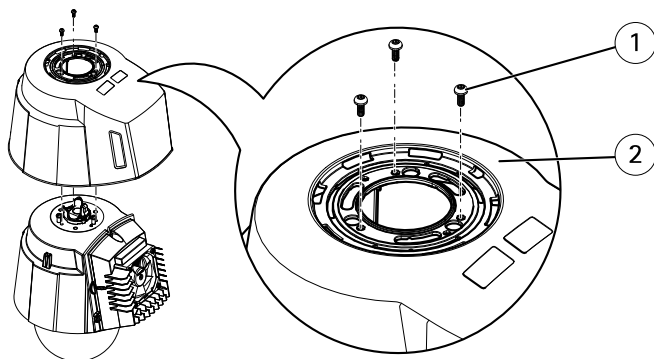
Cómo limpiar el disipador térmico exterior

El polvo y la acumulación de partículas pueden afectar al rendimiento del sistema de refrigeración. Debe realizarse una limpieza regular u ocasional del disipador térmico exterior del sistema de refrigeración de la cámara para mantener el nivel de rendimiento.

⚠ ATENCIÓN

El disipador térmico puede alcanzar temperaturas altas. Preste atención cuando toque el disipador térmico y la cubierta de este. Si fuese necesario, deje que la cámara se enfríe antes de tocarla.

1. Desconecte el multicable.
2. Afloje los tornillos y extraiga el parasol.



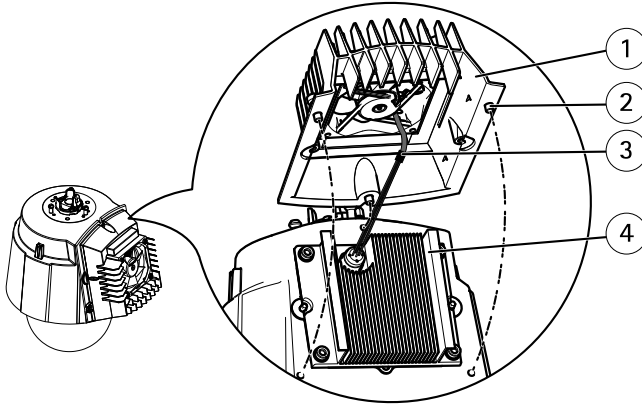
- 1 Tornillo T20 (3)
- 2 Parasol

3. Extraiga los tornillos (Torx T30) y eleve la cubierta del disipador térmico.

AVISO

No tense los cables del ventilador ni deje que la cubierta del disipador térmico cuelgue de los cables del ventilador.

AXIS Q6055-C PTZ Dome Network Camera



- 1 Cubierta del disipador térmico
- 2 Tornillo T30 (3x)
- 3 Cables del ventilador
- 4 Disipador térmico

4. Retire el polvo y las motas de suciedad del disipador térmico con un dispositivo de soplado, por ejemplo, con un pequeño compresor de aire o un bote de aire comprimido. El disipador térmico también puede limpiarse con agua pura.
5. Ponga la cubierta del disipador térmico en su posición original y apriete los tornillos (par de torsión de $2,4 \pm 0,2$ Nm).
6. Ponga el parasol de nuevo en su posición original y apriete los tornillos (par de torsión de $1,2 \pm 0,1$ Nm).
7. Enchufe el multicable al conector de la cámara.

Más información

- Para consultar la versión más reciente de este documento, vaya a axis.com.
- El manual de usuario se encuentra disponible en axis.com.
- Para comprobar si existe un firmware actualizado disponible para su dispositivo, vaya a axis.com/support.
- Para consultar webinars y cursos en línea que pueden resultarle útiles, vaya a axis.com/academy.

Accesorios opcionales

Para conocer una lista completa de los accesorios disponibles para este producto, vaya a la página de productos en axis.com y seleccione Software y accesorios.

AXIS Q6055-C PTZ Dome Network Camera

Especificaciones

Para acceder a la versión más reciente de la hoja de datos del producto, visite la página del producto en axis.com y localice **Support & Documentation (Soporte técnico y documentación)**.

Indicadores LED

LED de estado	Indicación
Apagado	Conexión y funcionamiento normal.
Verde	Se muestra fijo durante diez segundos para indicar un funcionamiento normal después de completar el inicio.
Ámbar	Fijo durante el inicio. Parpadea en verde durante la actualización del firmware o el restablecimiento a la configuración predeterminada de fábrica.
Ámbar/rojo	Parpadea en ámbar/rojo si la conexión a la red no está disponible o se ha perdido.
Rojo	Error durante la actualización del firmware.

Ranura para tarjetas SD

AVISO

- Riesgo de daños en la tarjeta SD. No emplee herramientas afiladas, objetos de metal ni demasiada fuerza al insertar o extraer la tarjeta SD. Utilice los dedos para insertar o extraer la tarjeta.
- Riesgo de pérdida de datos y grabaciones dañadas. No extraiga la tarjeta SD mientras el producto esté en funcionamiento. Desinstale la tarjeta SD desde la página web de producto antes de retirarla.

Este producto admite tarjetas SD/SDHC/SDXC.

Para conocer las recomendaciones sobre tarjetas SD, consulte axis.com.

Botones

Botón de control

Para conocer la ubicación del botón de control, consulte *Información general del hardware en la página 94*.

El botón de control se utiliza para lo siguiente:

- Restablecer el producto a la configuración predeterminada de fábrica. Consulte *página 102*.
- Conectarse a un servicio AXIS Video Hosting System. Para obtener más información acerca de este servicio, visite *axis.com*

Botón de encendido

Mantenga pulsado el botón de encendido para alimentar temporalmente el producto cuando se haya retirado la cubierta del domo. El botón de encendido también se utiliza junto con el botón de control para restablecer la cámara a la configuración predeterminada de fábrica. Vea *página 102*.

Conectores

Multiconector

Conector de terminales para la conexión del conmutador de conversión de medios suministrado, que proporciona las señales siguientes:

- Alimentación de CC
- Red (Ethernet 10/100Base-T)
- Entrada/salida (E/S)

ES

Conectores de multicable y puertos de E/S

Nota

Es necesario utilizar el multicable suministrado para mantener la clasificación NEMA/IP de la cámara.

El multicable se conecta al multiconector de la cámara, consulte *Información general del hardware en la página 94*.

El otro extremo del multicable se conecta al AXIS T8607 Media Converter Switch suministrado. Consulte la guía de instalación de ese producto para obtener más información, incluida una vista completa de los puertos de E/S.

Condiciones de funcionamiento

El producto de Axis se ha diseñado para su uso en exterior.

AXIS Q6055-C PTZ Dome Network Camera

Clasificación	IEC 60721-3-4 Clase 4K4H, 4M4 IEC 60529 IP66 NEMA 250 Tipo 4x MIL-STD 810G 500.5, 501.5, 502.5, 503.5, 505.5, 506.5, 507.5, 509.5, 510.5 ¹ , 514.6
Temperatura	De -20 °C a 75 °C con refrigeración activa
Humedad	Humedad relativa del 10 al 100 % (con condensación)

1. Protección contra la entrada de arena y polvo. Es posible que tenga que sustituir la cubierta del domo normal/ahumada si se expone a chorros de arena.

Condiciones de almacenamiento

Temperatura	De -40 °C a 65 °C
-------------	-------------------

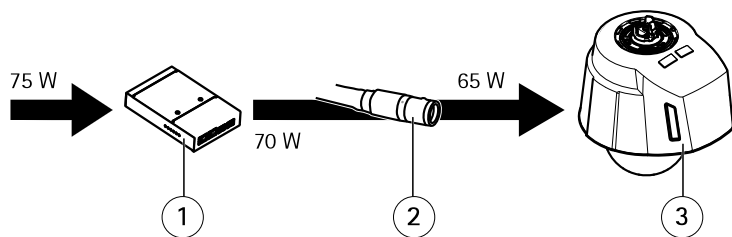
Especificaciones eléctricas

AVISO

Para confirmar el cumplimiento con los requisitos de seguridad de baja tensión (SELV) y de fuente de alimentación limitada (LPS), use la fuente de alimentación recomendada por Axis (se vende por separado). Para información sobre los accesorios de alimentación compatibles, visite www.axis.com.

Producto	Función	Descripción
Cámara de red Axis	Alimentación de entrada	24 V CC, 65 W mín.
AXIS T8607 Media Converter Switch	Tensión de entrada	24 V CC
	Alimentación de entrada	75 W mín.
	Potencia de salida disponible	70 W mín.
	Tensión de salida nominal	24 V CC
	Corriente de entrada mínima	3,2 A

AXIS Q6055-C PTZ Dome Network Camera



- 1 *AXIS T8607 Media Converter Switch*
- 2 *Multicable*
- 3 *Cámara de red Axis*

Información de seguridad

Niveles de peligro

▲PELIGRO

Indica una situación peligrosa que, si no se evita, provocará lesiones graves o la muerte.

▲ADVERTENCIA

Indica una situación peligrosa que, si no se evita, puede provocar lesiones graves o la muerte.

▲ATENCIÓN

Indica una situación peligrosa que, si no se evita, puede provocar lesiones moderadas o leves.

AVISO

Indica una situación peligrosa que, si no se evita, puede provocar daños materiales.

ES

Otros niveles de mensaje

Importante

Indica información importante que es fundamental para que el producto funcione correctamente.

Nota

Indica información útil que ayuda a aprovechar el producto al máximo.

AXIS Q6055-C PTZ Dome Network Camera

Instrucciones de seguridad

⚠ADVERTENCIA

El producto de Axis debe instalarlo un profesional formado conforme las leyes y normativas locales.

AVISO

- Este producto de Axis debe utilizarse de acuerdo con las leyes y normativas locales.
- Almacene el producto de Axis en un entorno seco y ventilado.
- Evite la exposición del producto de Axis a choques o a una fuerte presión.
- No instale el producto en postes, soportes, superficies o paredes inestables.
- Utilice solo las herramientas correspondientes cuando instale el producto de Axis. La aplicación de una fuerza excesiva con herramientas eléctricas puede provocar daños en el producto.
- No utilice limpiadores en aerosol, agentes cáusticos ni productos químicos.
- Limpie con un paño limpio humedecido con agua pura.
- Utilice solo accesorios que cumplan con las especificaciones técnicas de su producto. Estos accesorios los puede proporcionar Axis o un tercero. Axis recomienda utilizar un equipo de suministro de alimentación de Axis compatible con su producto.
- Utilice solo piezas de repuesto proporcionadas o recomendadas por Axis.
- No intente reparar el producto usted mismo. Póngase en contacto con el servicio de asistencia técnica de Axis o con su distribuidor de Axis para tratar asuntos de reparación.
- No coloque el objetivo de la cámara apuntando hacia el sol u otras fuentes de radiación de alta intensidad ya que podría dañar la cámara.

Transporte

AVISO

- Mantenga el embalaje de protección. Cuando transporte el producto de Axis, el embalaje de protección debe volver a ponerse en su posición original.
- Cuando transporte el producto de Axis, utilice el embalaje original o un equivalente para evitar daños en el producto.

Batería

Este producto de Axis utiliza una batería de litio BR2032 de 3,0 V como fuente de alimentación del reloj interno en tiempo real. En condiciones normales, esta batería durará un mínimo de cinco años.

Un nivel bajo de batería afectará al funcionamiento del reloj en tiempo real, lo que provocará el restablecimiento de este cada vez que se encienda el producto. Cuando sea necesario sustituir la batería, aparecerá un mensaje de registro en el informe del servidor del producto. Para obtener

más información sobre el informe del servidor, consulte la página web del producto o póngase en contacto con el soporte técnico de Axis.

Las pilas de botón de litio de 3,0 V contienen 1,2-dimetoxietano; éter dimetilico de etilenglicol (EGDME), n.º CAS 110-71-4.

⚠ADVERTENCIA

- La sustitución incorrecta de la batería implica riesgo de explosión.
- La batería solo debe sustituirse por una batería idéntica.
- Las baterías usadas deben desecharse de conformidad con la normativa local o las instrucciones del fabricante.

Cubierta del domo

AVISO

- Preste atención para no arañar, dañar o dejar las huellas en la cubierta del domo, puesto que esto puede provocar una disminución de la calidad de imagen. Si es posible, mantenga el plástico de protección en la cubierta del domo hasta que se complete la instalación.
- No limpie la cubierta del domo si parece a simple vista que está limpia y nunca pule la superficie. Una limpieza excesiva podría dañar la superficie.
- Para realizar un procedimiento de limpieza general de la cubierta del domo se recomienda usar detergente o jabón neutros, sin disolventes y no abrasivos mezclados con agua pura, y un paño suave y limpio. Enjuague bien con agua pura y tibia. Seque con un paño limpio y suave para evitar las manchas de gotas de agua.
- Nunca use detergentes abrasivos, gasolina, benceno, acetona o productos químicos similares.
- Evite limpiar la cubierta del domo a temperaturas elevadas o en contacto directo con la luz solar.
- Asegúrese de conectar el domo en modo de funcionamiento, si no, el enfoque puede verse afectado.

ES

パッケージの内容

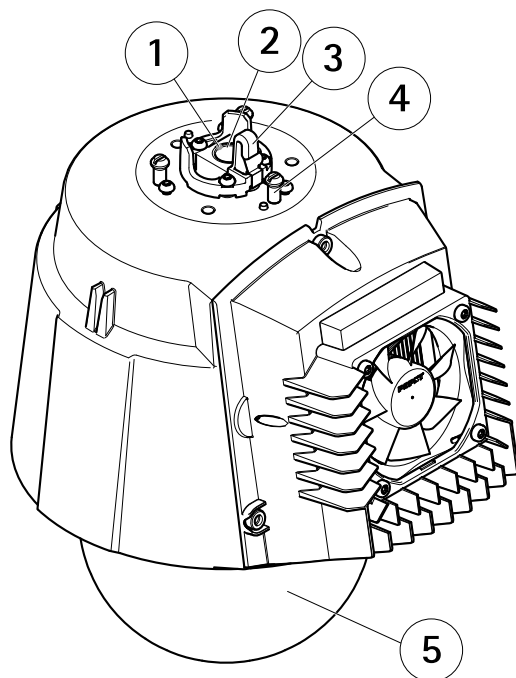
- AXIS Q6055-C PTZドームネットワークカメラ
- 透明ドームカバー (装着済み)
- AXIS T8607メディアコンバータスイッチ
- マルチケーブル (IP66)、7 m
- 印刷物
 - インストールガイド (本書)
 - 予備のシリアル番号ラベル (2枚)
 - AVHS認証キー

ハードウェアの概要

ハードウェアコンポーネントの仕様については、128ページの、仕様を参照してください。

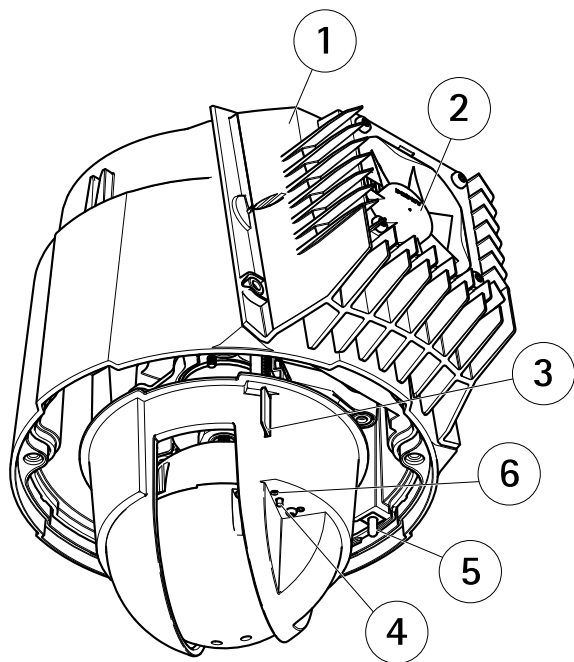
注記

ドームは動作モードで取り付けてください。そうしないとフォーカスに影響する場合があります。



上面図

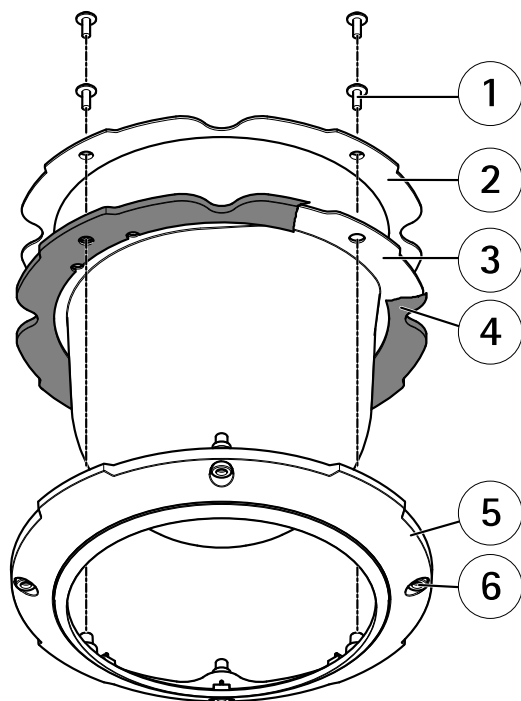
- 1 位置合わせ用インジケータ
- 2 マルチコネクタ
- 3 安全ワイヤーフック
- 4 ユニットホルダー (×3)
- 5 ドーム



底面図

- 1 冷却システム
- 2 ファン
- 3 SDカードスロット (SDHC)
- 4 コントロールボタン
- 5 電源ボタン (工場出荷時の設定にリセットする場合のみ使用)
- 6 ステータスLEDインジケータ

AXIS Q6055-C PTZ Dome Network Camera



- 1 ドームブラケットネジ PH2 (×4)
- 2 ドームブラケット
- 3 ドームカバー
- 4 ゴム製ガスケット
- 5 ドームリング
- 6 ドームリングネジ T30 (×4)

製品の取り付け方法

製品を取り付ける前に、すべての説明に目を通してください。一部の設置手順ではドームカバーを取り外さなければならない場合があるため、読んでおくに役に立ちます。

注記

- 本製品を使用する場所の地域条例、環境、電気的条件によっては、シールドネットワークケーブル (STP) の使用が推奨または必須になります。本製品をネットワークに接続して屋外または電氣的に厳しい環境に配線する場合は、用途に合ったネットワークケーブルを使用してください。ネットワーク装置がメーカーの指示どおりに設置されていることを確認します。法的要件については、*Regulatory information on page 4*を参照してください。
- 本製品はドームカバーを下向きにして取り付けてください。
- 本製品では、除湿膜を使用してドーム内の湿度を低く保っています。凝結防止のため、雨の日や湿度の高い日には製品を分解しないでください。
- 画質低下の原因となるので、ドームカバーに傷や指紋を付けたり、損傷しないように注意してください。可能であれば、設置が完了するまでドームカバーに保護プラスチックを付けたままにしてください。

本製品は、配線を壁や天井に沿って、あるいは中を通して設置することができます。

JA

推奨ツール

- 電線ストリッパー (ケーブル接続)
- プラスドライバーPH2 (ドーム交換)
- トルクス® T20ドライバー (必要に応じて外部ヒートシンクを清掃)
- Torx® T30ドライバー (ドームカバーの取り外し、ブラケットアダプター AXIS T91A、ドーム交換)
- ニッパー (ケーブル)

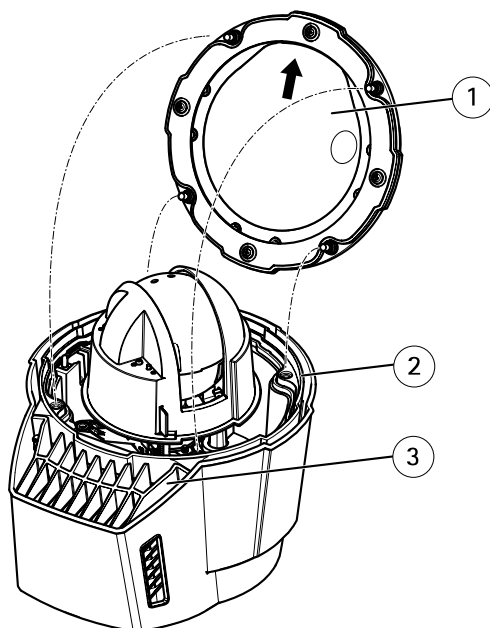
ドームカバーの交換方法 (オプション)

スモークドームカバーを使用したい場合や、ドームカバーに傷が付いたり、損傷したりした場合、装着済みの透明ドームカバーを交換できます。スモークドームカバーおよび交換用の透明ドームカバーは、Axisの販売代理店から購入できます。

1. ドームリングネジをゆるめてドームカバーを取り外します。
2. ドームブラケットネジを外してドームリングからドームブラケットとドームカバーを取り外します。
3. ゴム製ガスケットがドームカバーに正しく取り付けられていることを確認します。

AXIS Q6055-C PTZ Dome Network Camera

4. ドームカバーの突起とドームリングのロゴタイプの一つの位置を合わせます。
5. ドームリングにドームブラケットとドームカバーを取り付け、ネジを締めます (トルク1.2 Nm)。
6. SDメモリーカードの装着方法については、120ページの、SDカードの装着方法 (オプション) を参照してください。
7. ドームカバーの突起とカメラユニットの冷却システムの位置を合わせ、ネジを締めて (トルク1.5 Nm)、ドームカバーを上蓋に取り付けます。



- 1 ドームカバー
- 2 上蓋
- 3 冷却システム

SDカードの装着方法 (オプション)

SDカードは、必要に応じて装着します。標準または大容量のSDカード (非付属品) を使用すると、録画をローカルに保存することができます。

1. ドームリングネジをゆるめてドームカバーを取り外します。
2. SDカードをSDカードスロットに挿入します。

- ドームカバーの突起とカメラユニットのヒーターの位置を合わせ、ネジ(トルク1.5 Nm)を締めて、ドームカバーを上蓋に取り付けます。

AXIS T8607 Media Converter Switchの取り付け方法

AXIS T8607 Media Converter Switchを使用すると、マルチケーブルで電源(別売)から電力を送ることができ、外部アラームデバイスやネットワークとの間でデータを送受信することができます。

AXIS T8607 Media Converter Switchの取り付けに関するすべての情報については、製品に付属のインストールガイドを参照してください。

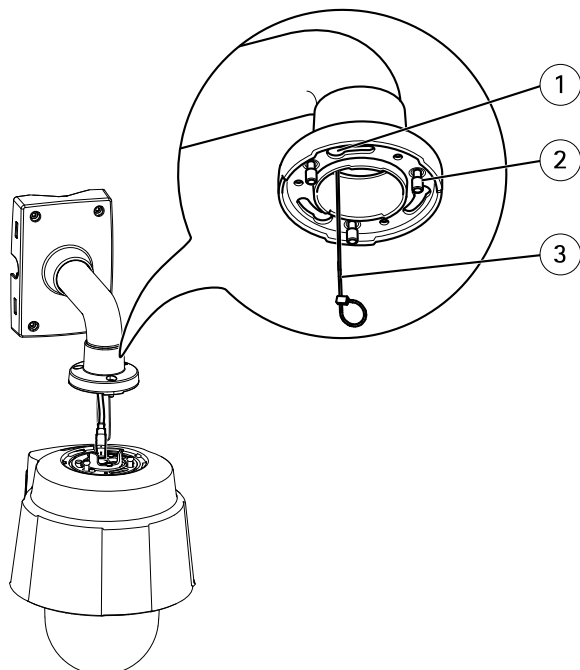
ネットワークカメラの設置方法

注記

カメラのIP66対応設計に準拠し、IP66保護等級を維持するため、必ず付属のマルチコネクタケーブルを使用してください。

カメラとサンシールドの間の保護包装を取り外してからカメラを設置してください。

- ブラケット付属の説明書に従って、ブラケットを取り付けます。ドリルによる穴開けが必要な場合は、素材に適したドリルビット、ネジ、プラグを使用してください。
- マルチケーブルを取り付けブラケットの穴に通します。
- 付属の安全ワイヤーを使用してカメラを固定します。

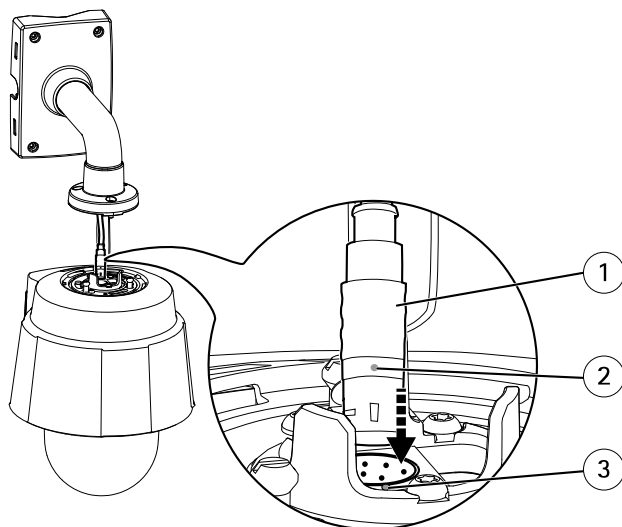


取り付け例 (別売の壁面ブラケットを使用)

- 1 ユニットホルダー用スロット (×3)
 - 2 ネジ T30 (×2)
 - 3 安全ワイヤー
4. カメラのマルチコネクタの保護キャップを取り外します。
 5. マルチケーブルをカメラのコネクタに接続します。位置合わせ用インジケータを使用して、正しい位置に合わせます。

注記

接続時にマルチケーブルを傷つけないよう、注意してください。



取り付け例 (別売の壁面ブラケットを使用)

- 1 マルチケーブル
- 2 位置合わせ用インジケータ－マルチケーブル
- 3 位置合わせ用インジケータ－カメラ

6. カメラのユニットホルダーを取り付けブラケットのスロットにはめ込み、カメラユニットを回転させます。
7. ネジを締め、ネットワークカメラを取り付けブラケットに固定します。

製品のアクセス方法

Windows®でネットワーク上のAxisデバイスを見つけて、それらにIPアドレスを割り当てるには、AXIS IP UtilityまたはAXIS Device Managerを使用します。いずれのアプリケーションも無料で、axis.com/supportからダウンロードできます。

製品の使用の詳細については、Axisのホームページ (axis.com) でユーザーズマニュアルを参照してください

工場出荷時の設定にリセットする方法

重要

工場出荷時の設定へのリセットは慎重に行ってください。工場出荷時の設定へのリセットを行うと、IPアドレスを含むすべての設定が工場出荷時の値にリセットされます。

本製品を工場出荷時の設定にリセットするには、以下の手順を実行します。

1. ステータスLEDが黄色に点滅するまで、コントロールボタンと電源ボタンを押し続けます (15～30秒間)。 を参照してください。
2. 再起動ボタンだけを離し、コントロールボタンをステータスLEDが緑色に変わるまで押し続けます。
3. 電源ボタンを離し、製品を組み立てます。
4. プロセスは完了です。これで本製品は工場出荷時の設定にリセットされました。ネットワーク上に利用可能なDHCPサーバーがない場合、デフォルトのIPアドレスは192.168.0.90になります。
5. インストールおよび管理ソフトウェアツールを使用してIPアドレスの割り当て、パスワードの設定、ビデオストリームへのアクセスを行います。

Webインターフェースを使用して、各種パラメーターを工場出荷時の設定に戻すこともできます。 **[Settings > System > Maintenance (設定 > システム > メンテナンス)]** を選択し、 **[Default (デフォルト)]** をクリックします。

メンテナンス

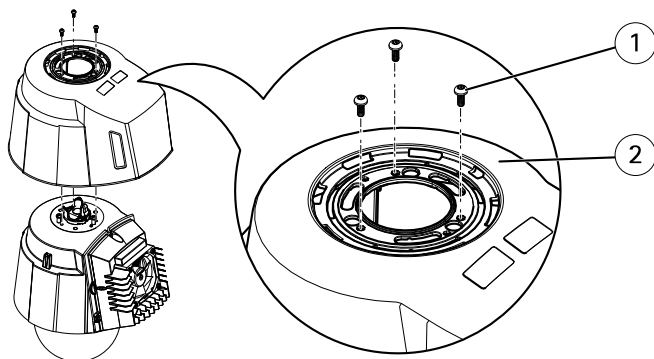
外部ヒートシンクのクリーニング方法

ほこりや微粒子がたまると、冷却システムの性能に影響が生じる場合があります。カメラの性能を維持するため、カメラの冷却システムの外部ヒートシンクを不定期または定期的に清掃してください。

▲注意

ヒートシンクは熱を持つことがあります。ヒートシンクやヒートシンクカバーに触る際には注意してください。必要に応じて、カメラが冷えるまで待機してください。

1. マルチケーブルを外します。
2. ネジをゆるめ、サンシールドを取り外します。

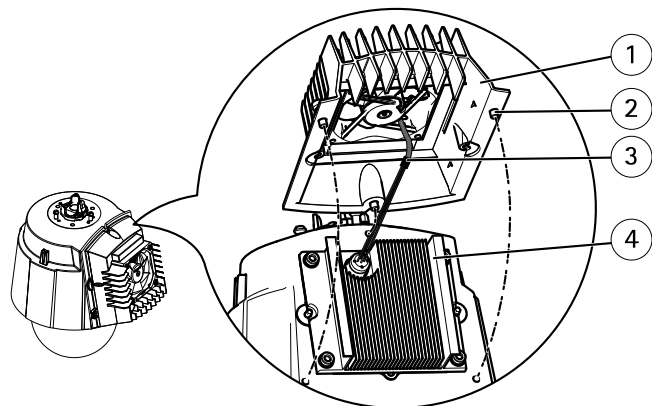


- 1 ネジ T20 (×3)
- 2 サンシールド

3. ネジ (トルクス T30) を取り外し、ヒートシンクカバーを持ち上げます。

注記

ファンケーブルを引っ張ったり、ヒートシンクカバーがファンケーブルでぶら下がったりしないよう、注意してください。



- 1 ヒートシンクカバー
- 2 ネジ T30 (×3)
- 3 ファンケーブル
- 4 ヒートシンク

4. 小型のエアコンプレッサーや圧縮空気などを使用して、ヒートシンクのほこりやチリを吹き飛ばします。ヒートシンクは、きれいな水ですすいでもかまいません。
5. ヒートシンクカバーを元に戻し、ネジを締めます (トルク 2.4 ± 0.2 Nm)。
6. サンシールドを元に戻し、ネジを締めます (トルク 1.2 ± 0.1 Nm)。
7. マルチケーブルをカメラのコネクタに接続します。

関連情報

- 本書の最新バージョンについては、axis.comにアクセスしてください。
- ユーザーズマニュアルは、axis.comで入手できます。
- ご使用のデバイスの新しいファームウェアがリリースされていないかを確認するには、axis.com/supportにアクセスしてください。
- 役に立つオンライントレーニングおよびWebセミナーをご用意しております。axis.com/academyをご覧ください。

オプションアクセサリー

本製品で利用可能なすべてのアクセサリーについては、axis.comで本製品のページを開いて「ソフトウェア&アクセサリー」を参照してください。

AXIS Q6055-C PTZ Dome Network Camera

仕様

最新バージョンの製品のデータシートについては、axis.comで本製品のページを開いて「サポートとドキュメント」へお進みください。

LEDインジケーター

ステータスLED	説明
無点灯	接続時と正常動作時は、無点灯のままです。
緑	起動後正常に動作する場合、10秒間、緑色に点灯します。
黄	起動時に点灯し、ファームウェアのアップグレード時と工場出荷時設定へのリセット時に点滅します。
黄/赤	ネットワーク接続が利用できないか、失われた場合は、黄色/赤色で点滅します。
赤	ファームウェアのアップグレード失敗。

SDカードスロット

注記

- SDカード損傷の危険があります。SDカードの挿入と取り外しの際には、鋭利な工具や金属性の物を使用したり、過剰な力をかけたりしないでください。カードの挿入や取り外しは指で行ってください。
- データ損失や録画データ破損の危険があります。本製品の稼働中はSDカードを取り外さないでください。取り外しの前に、製品のWebページからSDカードをマウント解除してください。

本製品は、SD/SDHC/SDXCカードに対応しています。

推奨するSDカードについては、axis.comを参照してください

ボタン

コントロールボタン

コントロールボタンの位置については、116ページの、ハードウェアの概要を参照してください。

コントロールボタンは、以下の用途で使用します。

- 製品を工場出荷時の設定にリセットする。124ページを参照してください。
- AXIS Video Hosting Systemサービスに接続する。このサービスの詳細については、axis.comを参照してください。

電源ボタン

ドームカバーを取り外したとき、製品の電源を一時的に入れるには、電源ボタンを押し続けます。電源ボタンとコントロールボタンを同時に押すと、カメラが工場出荷時の設定にリセットされます。124ページを参照してください。

コネクタ

マルチコネクタ

付属のメディアコンバータスイッチを接続する端末コネクタで、以下の信号を供給します。

- DC電源
- ネットワーク (Ethernet 10/100Base-T)
- 入出力 (I/O)

JA

マルチケーブルコネクタおよびI/Oポート

注意

カメラのNEMA/IP定格を維持するため、付属のマルチケーブルが必要になります。

マルチケーブルはカメラのマルチコネクタに接続されています。116ページの、ハードウェアの概要を参照してください。

マルチケーブルの他端は付属のAXIS T8607 Media Converter Switchに接続されています。I/Oポートの概要を含む詳細については、製品のインストールガイドを参照してください。

動作条件

本製品は屋外対応モデルです。

AXIS Q6055-C PTZ Dome Network Camera

等級	IEC 60721-3-4 Class 4K4H、4M4 IEC 60529 IP66 NEMA 250 Type 4x MIL-STD 810G 500.5、501.5、502.5、 503.5、505.5、506.5、507.5、509.5、 510.5 ¹ 、514.6
温度	-20 ° C ~ 75 ° C、アクティブ冷却機能 搭載
湿度	10 ~ 100% RH (結露可)

1. 砂および埃の侵入から保護されています。砂塵にさらされた場合、クリア/スモークドームカバーの交換が必要になることがあります

保管条件

温度	-40 ° C ~ 65 ° C
----	------------------

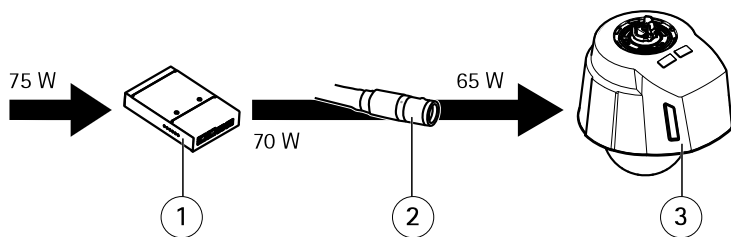
電氣的仕様

注記

安全特別低電圧 (SELV) および制限電源 (LPS) の要件を満たすため、Axis推奨の電源 (別売) を使用してください。互換性のある電源アクセサリについては、www.axis.comを参照してください。

製品	機能	説明
Axisネットワークカメラ	入力電力	24 V DC、最小65 W
AXIS T8607 Media Converter Switch	入力電圧	24 V DC
	入力電力	最小75 W
	出力可能な電力	最小70 W
	通常出力電圧	24 V DC
	最低入力電流	3.2 A

AXIS Q6055-C PTZ Dome Network Camera



- 1 *AXIS T8607 Media Converter Switch*
- 2 マルチケーブル
- 3 *Axisネットワークカメラ*

安全情報

危険レベル

▲危険

回避しない場合、死亡または重傷につながる危険な状態を示します。

▲警告

回避しない場合、死亡または重傷につながるおそれのある危険な状態を示します。

▲注意

回避しない場合、軽傷または中程度の怪我につながるおそれのある危険な状態を示します。

注記

回避しない場合、器物の破損につながるおそれのある状態を示します。

その他のメッセージレベル

重要

製品を正しく機能させるために不可欠な重要情報を示します。

注意

製品を最大限に活用するために役立つ有用な情報を示します。

安全手順

▲警告

本製品の設置は、お使いになる地域の法律や規制に準拠して、訓練を受けた専門技術者が行ってください。

注記

- 本製品は、お使いになる地域の法律や規制に準拠して使用してください。
- 本製品は乾燥した換気のよい環境に保管してください。
- 本製品に衝撃または強い圧力を加えないでください。
- 本製品を不安定なポール、ブラケット、表面、または壁に設置しないでください。
- 本製品を設置する際には、適切な工具のみを使用してください。電動工具を使用して過剰な力をかけると、製品が損傷することがあります。
- 化学薬品、腐食剤、噴霧式クリーナーは使用しないでください。
- 清掃には、きれいな水に浸した清潔な布を使用してください。
- 製品の技術仕様に準拠したアクセサリのみを使用してください。これらのアクセサリは、Axisまたはサードパーティから入手できます。Axisは、ご使用の製品と互換性のあるAxis給電ネットワークスイッチの使用を推奨します。
- Axisが提供または推奨する交換部品のみを使用してください。
- 製品を自分で修理しないでください。修理については、Axisサポートまたは販売代理店にお問い合わせください。
- 太陽などの高輝度の光源にはカメラのレンズを向けないでください。カメラが損傷することがあります。

輸送

注記

- 保護包装は保管しておいてください。本製品を輸送する際には、必ず保護包装を元の位置に戻してください。
- 本製品を運搬する際は、製品が損傷しないよう、元の梱包が同等の梱包を使用してください。

バッテリー

本製品は、内部リアルタイムクロック (RTC) 用電源として、3.0 V BR2032リチウムバッテリーを使用します。このバッテリーは、通常条件下で最低5年間使用できます。

バッテリーが低電力状態になると、RTCの動作に影響し、電源を入れるたびにRTCがリセットされます。バッテリーの交換が必要になると、製品のサーバーレポートに

ログメッセージが表示されます。サーバーレポートの詳細については、製品のWebページを参照するか、Axisサポートまでお問い合わせください。

リチウムコイン型3.0V電池は、1,2-ジメトキシエタン(エチレングリコールジメチルエーテル(EGDME)、CAS番号110-71-4)を含有しています。

▲警告

- バッテリーは、正しく交換しないと爆発する危険があります。
- バッテリーを交換する場合は、同一品のみを使用してください。
- 使用済みバッテリーは、地域の規制またはバッテリーメーカーの指示に従って廃棄してください。

ドームカバー

注記

- 画質低下の原因となるため、ドームカバーに傷や指紋を付けたり、損傷しないように注意してください。可能であれば、設置が完了するまでドームカバーに保護プラスチックを付けたままにしてください。
- 肉眼で見ても汚れがない場合は、ドームカバーを掃除しないでください。また、絶対に表面を磨かないでください。過度な清掃により、表面が破損することがあります。
- ドームカバーの通常のクリーニングには、磨耗防止タイプの無溶媒の中性石鹸またはきれいな水で薄めた洗剤と、柔らかい清潔な布を使用することをお勧めします。洗浄後、きれいなぬるま湯でよくすすいでください。水滴の跡が付かないよう、清潔な柔らかい布で拭いて乾かしてください。
- 強力な洗剤、ガソリン、ベンジン、アセトン、同様の化学薬品は絶対に使用しないでください。
- 直射日光が当たる場所や気温が上昇する場所でのドームカバーの清掃は避けてください。
- ドームは動作モードで取り付けてください。そのようにしない場合、フォーカスに影響する場合があります。

包装内容

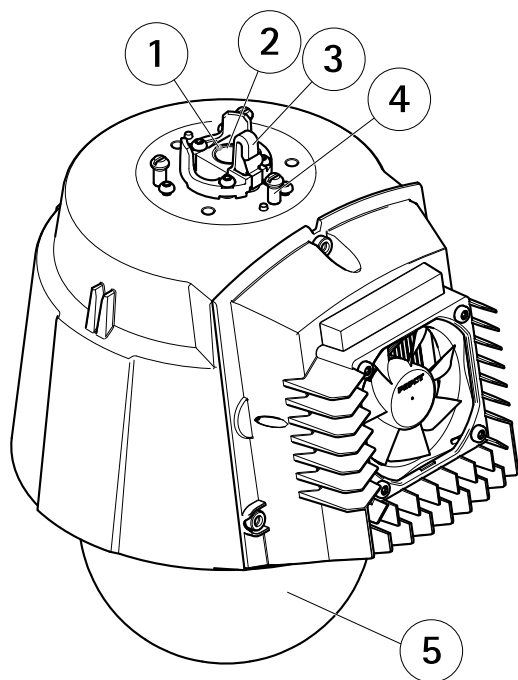
- AXIS Q6055-C PTZ 半球网络摄像机
- 透明半球罩（预装）
- AXIS T8607 媒体转换器交换机
- 多芯电缆 (IP66), 7 米 (23 英寸)
- 印刷资料
 - 安装指南（本文档）
 - 额外的序列号（2 个）
 - AVHS 身份验证密钥

硬件概览

有关硬件组件的规格，请参见 *规格* 在第149页。

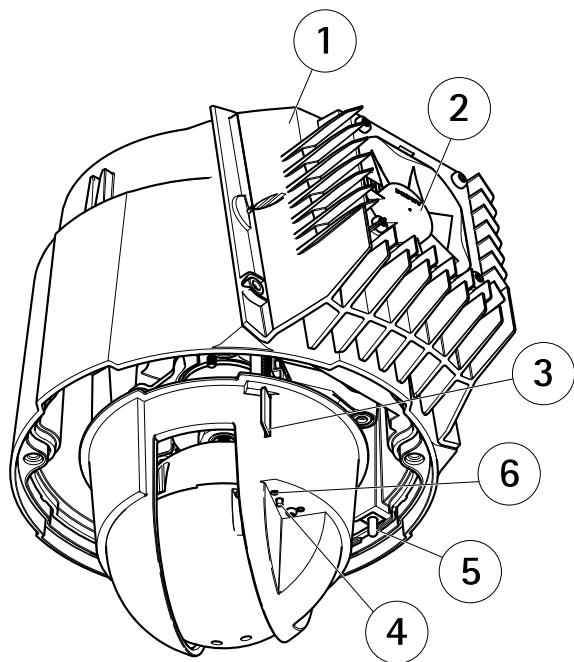
注意

确保在操作模式下连接半球，否则可能会影响对焦。



顶部视图

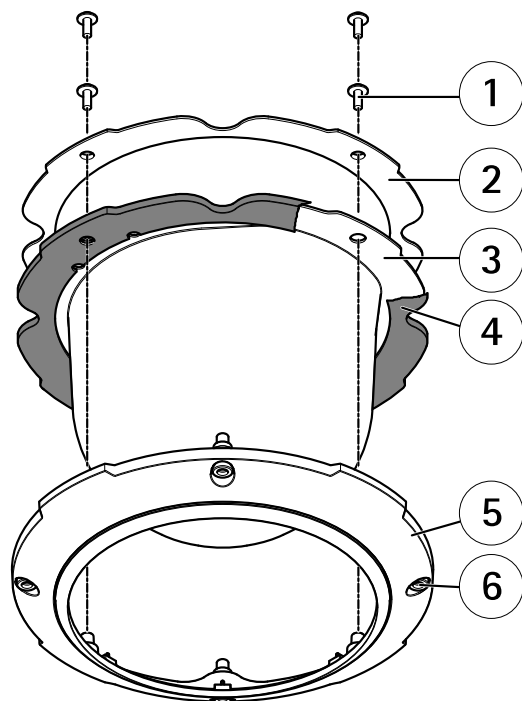
- 1 对准指示器
- 2 复式连接器
- 3 安全线挂钩
- 4 装置固定架 (3个)
- 5 半球



底部视图

- 1 冷却系统
- 2 风扇
- 3 SD 卡插槽 (SDHC)
- 4 控制按钮
- 5 电源按钮 (仅适用于出厂默认设置)
- 6 状态 LED 指示灯

AXIS Q6055-C PTZ Dome Network Camera



- 1 球型支架螺丝 PH2 (4x)
- 2 球型支架
- 3 球型罩
- 4 橡胶密封垫
- 5 球型环
- 6 球型支架螺丝 T30 (4x)

如何安装产品

安装产品之前，请阅读说明。某些安装步骤一起完成可能更好，因为它们都需要移除半球罩。

注意

- 由于当地法规或产品使用场所的环境和电气条件，可能需要使用屏蔽网络电缆 (STP)。将产品连接到网络的电缆以及在室外或恶劣电气环境中布放的电缆应专用于其特定用途。确保根据制造商的说明安装网络设备。有关法规要求的信息，请参见 *Regulatory information on page 4*。
- 安装产品时，半球罩朝下。
- 该产品具有除湿膜，用于保持半球内的低湿度水平。为避免冷凝，请勿在雨中或潮湿条件下拆卸本产品。
- 小心不要划伤、损坏或在半球罩上留下指纹，因为这可能会降低图像质量。如果可能，请保留半球罩上的保护塑料，直至安装完成。

安装该产品时，可以穿过或沿着墙壁或屋顶布线。

推荐的工具

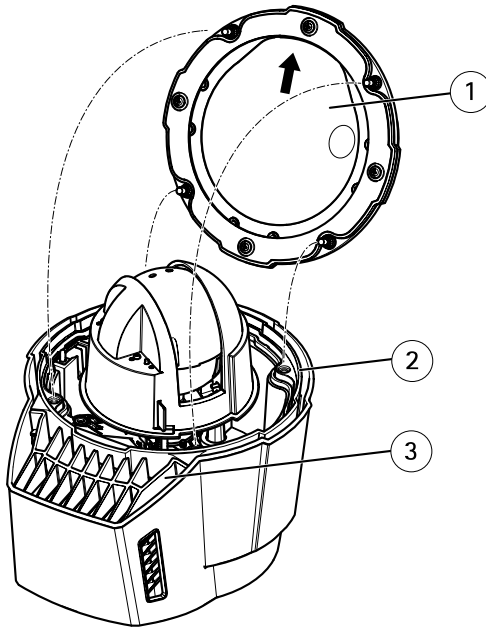
- 剥线工具（电缆连接）
- 十字螺丝刀 PH2（半球更换）
- Torx® 螺丝刀 T20（必要时清洁外部散热器）
- Torx® 螺丝刀 T30（半球罩移除、支架适配器 AXIS T91A、半球更换）
- 斜嘴钳（电缆）

ZH

如何更换半球罩（可选）

如果要使用烟色半球罩或半球罩被划伤或损坏，则可更换预安装的透明半球罩。烟色半球罩和备用透明半球罩可从安讯士经销商处购买。

1. 松开半球环螺丝，然后取下半球罩。
2. 取下半球支架螺丝，然后从半球环上卸下半球支架和半球罩。
3. 确保橡胶垫圈正确安装在半球罩上。
4. 将半球罩上的凸出部分与半球环上的其中一个标志对齐。
5. 将半球支架和半球罩连接到半球环，然后拧紧螺丝（扭矩 1.2 Nm）。
6. 要安装 SD 卡，请参见 *如何安装 SD 卡（可选）* 在第 142 页。
7. 要将半球罩连接到顶盖，请将半球罩上的凸出部分与摄像机单元上的冷却系统对齐，然后拧紧螺丝（扭矩 1.5 Nm）。



- 1 半球罩
- 2 顶盖
- 3 冷却系统

如何安装 SD 卡（可选）

安装 SD 卡是可选的。标准或大容量 SD 卡（不包括）可用于在产品中本地存储录制内容。

1. 松开半球环螺丝，然后取下半球罩。
2. 将 SD 卡插入 SD 卡插槽。
3. 要将半球罩连接到顶盖，请将半球罩上的凸出部分与摄像机单元上的加热器对齐，然后拧紧螺丝（扭矩 1.5 Nm）。

如何安装 AXIS T8607 Media Converter Switch

AXIS T8607 Media Converter Switch 能够通过多芯电缆从电源（单独出售）供电，并实现与外部报警设备和网络之间的数据收发。

有关安装 AXIS T8607 Media Converter Switch 的全部信息，请参见该产品随附的单独安装指南。

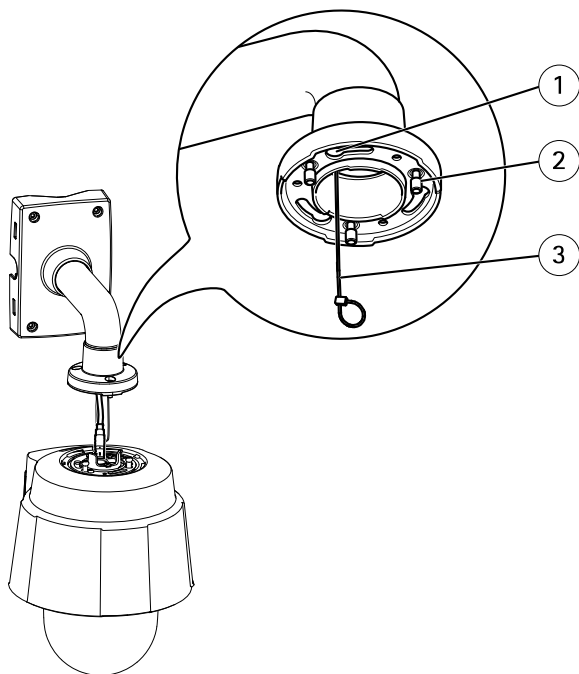
如何安装网络摄像机

注意

为了符合 IP66 级摄像机设计要求并维持 IP66 防护，应使用随附的复式连接器电缆。

安装摄像机之前，请取下摄像机和遮阳罩之间的保护包装。

1. 根据支架随附的说明安装所选支架。如果需要钻孔，请确保使用适合该材料的钻头、螺丝和塞子。
2. 将多芯电缆穿过安装支架上的孔。
3. 使用随附的安全线固定摄像机。



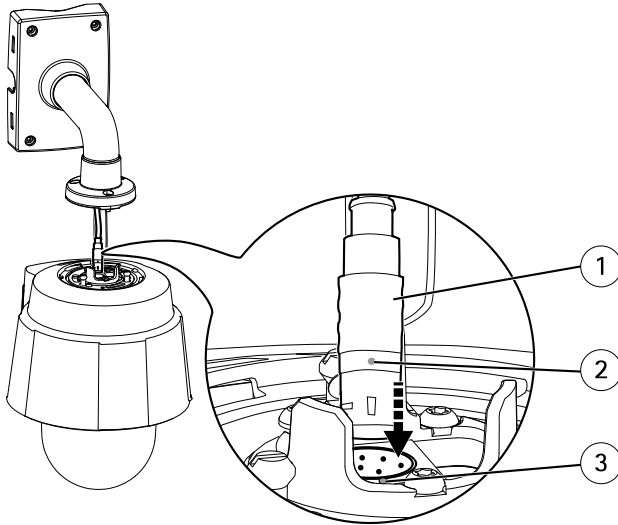
安装示例（墙挂支架单独出售）

- 1 装置固定架插槽（3个）
- 2 螺丝 T30（2颗）
- 3 安全线

4. 卸下摄像机上覆盖复式连接器的保护盖。
5. 将多芯电缆连接到摄像机上的连接器。使用对准指示器找到正确的位置。

注意

连接时，小心不要损坏多芯电缆。



安装示例（墙挂支架单独出售）

- 1 多芯电缆
- 2 对准指示器 - 多芯电缆
- 3 对准指示器 - 摄像机

6. 将摄像机上的装置固定架滑入安装支架中的插槽，然后旋转摄像机单元。
7. 拧紧螺丝，将网络摄像机固定到安装支架。

如何访问产品

若要在网络中查找安讯士设备并为它们分配 Windows® 中的 IP 地址，请使用 AXIS IP Utility 或 AXIS 设备管理器。这两种应用程序都是免费的，可以从 axis.com/support 上进行下载

有关使用产品的更多信息，请参阅 axis.com 上提供的用户手册

如何重置为出厂默认设置

重要

重置为出厂默认设置时应谨慎。重置为出厂默认设置会将所有设置（包括 IP 地址）重置为出厂默认设置。

将产品重置为出厂默认设置：

1. 按住控制按钮和电源按钮 15–30 秒，直到状态 LED 指示灯呈淡黄色闪烁。请参见。
2. 释放控制按钮，但继续按住电源按钮，直到状态 LED 指示灯变绿。
3. 释放电源按钮并装配产品。
4. 该过程现已完成。产品已重置为出厂默认设置。如果网络上没有可用的 DHCP 服务器，则默认 IP 地址为 192.168.0.90
5. 使用安装和管理软件工具分配 IP 地址、设置密码和访问视频流。

也可通过网页界面将参数重置为出厂默认设置。转到 **设置 > 系统 > 维护**，然后单击 **默认**。

维护

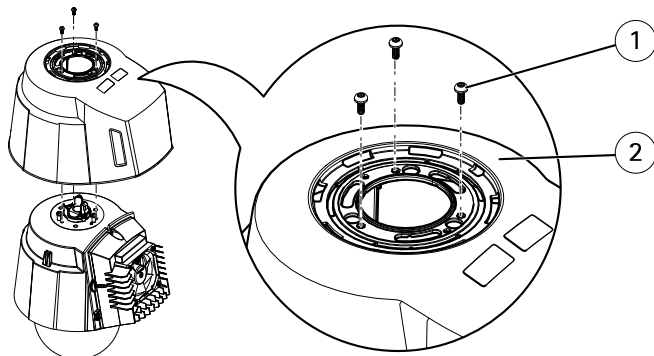
如何清洁外部散热器

灰尘和颗粒物的堆积可能会影响冷却系统的性能。为了保持性能水平，摄像机冷却系统中的外部散热器可能需要偶尔或定期清洁。

小心

散热器可能很热。触摸散热器和散热器盖时要小心。如果需要，触摸摄像机之前先让其冷却。

1. 断开多芯电缆的连接。
2. 松开螺丝，然后取下遮光罩。

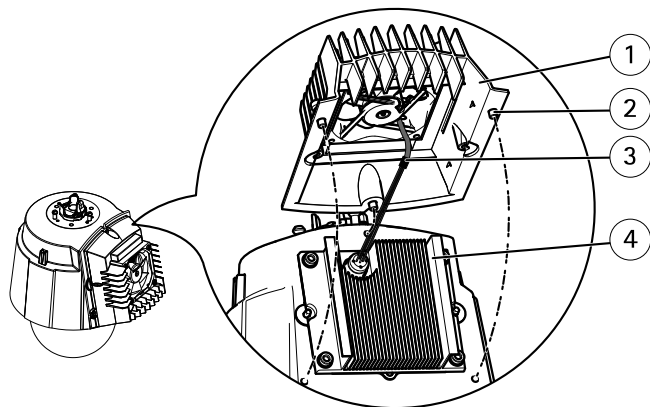


- 1 螺丝 T20 (3 颗)
- 2 遮光罩

3. 卸下螺丝 (Torx T30) 并提起散热器盖。

注意

请勿用力拉扯风扇电缆或让风扇电缆挂住散热器盖。



- 1 散热器盖
- 2 螺丝 T30 (3 颗)
- 3 风扇电缆
- 4 散热器

4. 使用小型空气压缩机或压缩空气罐等在散热器上鼓风，以除去灰尘和斑点。散热器也可使用纯水进行冲洗。
5. 将散热器盖放回其原始位置，然后拧紧螺丝（扭矩 $2.4 \pm 0.2 \text{ Nm}$ ）。
6. 将遮阳罩放回其原始位置，然后拧紧螺丝（扭矩 $1.2 \pm 0.1 \text{ Nm}$ ）。
7. 将多芯电缆连接到摄像机上的连接器。

更多信息

- 有关本文档的最新版本，请参见 axis.com
- 用户手册可从 axis.com 获取
- 要检查是否有设备的可用更新固件，请参见 axis.com/support
- 如需有用的在线培训和在线研讨会，请参见 axis.com/academy

可选附件

欲查看本产品可用附件的完整列表，请转到 axis.com 上的产品页并选择“软件和附件”。

规格

要查找最新版本的产品数据表，请转到 axis.com 上的产品页并查找 **支持和文档**。

LED 指示灯

LED 状态指示灯	指示
不亮	连接和正常工作。
绿色	启动完成后，将显示稳定的绿色 10 秒，以表示正常工作。
橙色	在启动期间稳定。在固件升级过程中或重置为出厂默认值时闪烁。
橙色/红色	如果网络连接不可用或丢失，则呈橙色/红色闪烁。
红色	固件升级失败。

SD 卡插槽

注意

- 损坏 SD 卡的风险。插入或取出 SD 卡时，请勿使用锋利的工具、金属物体或过大力气。使用手指插入和取出该卡。
- 数据丢失和录制内容损坏的风险。产品正在运行时，请勿取出 SD 卡。在取出 SD 卡之前，请先从产品的网页上卸载 SD 卡。

本产品支持 SD/SDHC/SDXC 卡。

有关 SD 卡的建议，请参见 axis.com

按钮

控制按钮

有关控制按钮的位置，请参见 [硬件概览 在第 138 页](#)。

控制按钮用于：

- 将产品重置为出厂默认设置。请参见 [第 145 页](#)。
- 连接至安讯士视频托管系统服务。要查找更多关于此服务的信息，请参见 axis.com

AXIS Q6055-C PTZ Dome Network Camera

电源按钮

按住电源按钮，以在取下半球罩时暂时为产品供电。电源按钮还可与控制按钮结合使用，以将摄像机重置为出厂默认设置。请参见第145页。

接口

复式连接器

用于连接随附媒体转换器交换机的端子连接器，提供以下信号：

- DC 电源
- 网络（以太网 10/100Base-T）
- 输入/输出 (I/O)

多芯电缆连接器和 I/O 端口

备注

需要随附的多芯电缆，才能维持摄像机的 NEMA/IP 等级。

多芯电缆将连接到摄像机的复式连接器，请参见 *硬件概览* 在第138页。

多芯电缆的另一端连接到随附的 AXIS T8607 Media Converter Switch。请参见该产品的安装指南了解更多信息，包括 I/O 端口的概览。

工作条件

安讯士产品适用于室外使用。

等级	IEC 60721-3-4 类 4K4H, 4M4 IEC 60529 IP66 NEMA 250 类型 4x MIL-STD 810G 500.5、501.5、502.5、 503.5、505.5、506.5、507.5、509.5、 510.5 ¹ , 514.6
温度	-20° C 到 75° C (-4° F 到 167° F)， 具有主动冷却功能
湿度	10-100% RH (冷凝)

1. 防止沙尘进入。如果暴露于喷沙中，可能需要更换透明/烟色半球罩。

存储条件

温度	-40 ° C 到 65 ° C (-40 ° F 到 149 ° F)
----	---

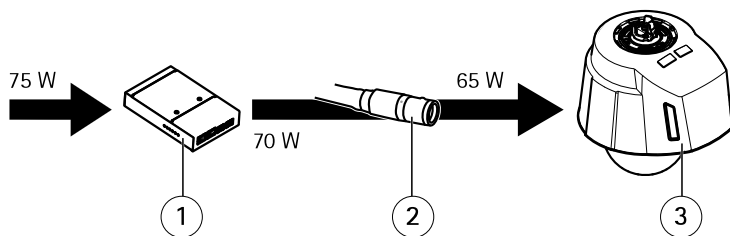
电气规格

注意

为了确认符合安全超低电压 (SELV) 和限功率电源 (LPS) 的要求，请使用安讯士推荐的电源（单独出售）。有关兼容电源附件的信息，请参见 www.axis.com

产品	功能	说明
安讯士网络摄像机	输入电源	24 V DC，最小 65 W
AXIS T8607 Media Converter Switch	输入电压	24 V DC
	输入电源	最小 75 W
	可用输出电源	最小 70 W
	标称输出电压	24 V DC
	最小输入电流	3.2 A

ZH



- 1 *AXIS T8607 Media Converter Switch*
- 2 *多芯电缆*
- 3 *安讯士网络摄像机*

安全信息

危险等级

▲危险

表示如果不避免则会导致死亡或严重伤害的危险情况。

▲警告

表示如果不避免则可能导致死亡或严重伤害的危险情况。

▲小心

表示如果不避免则可能导致轻微或中度伤害的危险情况。

注意

表示如果不避免则可能导致财产损失的情况。

其他消息等级

重要

表示产品正常工作所必需的重要信息。

备注

表示有助于充分利用产品的有用信息。

安全说明

警告

安讯士产品应由受过培训的专业人员进行安装，并遵守当地法律和法规。

注意

- 使用安讯士产品时应遵守当地法律和法规。
- 在干燥通风的环境中存放安讯士产品。
- 避免将安讯士产品暴露在冲击或高压环境下。
- 请勿将产品安装在不稳固的立杆、支架、表面或墙壁上。
- 安装安讯士产品时，仅使用适用的工具。使用电动工具过度施力可能导致产品损坏。
- 请勿使用化学品、腐蚀剂或气雾剂。
- 使用蘸纯净水的干净布进行清洁。
- 仅使用符合产品技术规格的附件。这些附件可由安讯士或第三方提供。安讯士推荐使用与产品兼容的安讯士电源设备。
- 仅使用安讯士提供或推荐的备件。
- 请勿尝试自行维修产品。有关服务事项，请联系安讯士支持部门或安讯士经销商。
- 请勿将摄像机镜头对准太阳或其他高强度辐射源，因为这可能会损坏摄像机。

运输

注意

- 保留防护包装。在运输安讯士产品时，防护性包装应在其原有位置上。
- 安讯士产品运输途中，应使用其原包装或等效包装，以防对产品造成损坏。

电池

安讯士产品使用 3.0 V BR2032 锂电池作为其内部实时时钟 (RTC) 的电源。在正常情况下，此电池将持续至少五年。

蓄电池电量过低会影响实时时钟的运行，从而导致实时时钟在每次上电时重置。当电池需要更换时，产品的服务器报告中将显示一条日志消息。有关服务器报告的更多信息，请参见产品网页或与安讯士支持部门联系。

3.0 V 纽扣锂电池内含 1,2-二甲氧基乙烷；乙二醇二甲醚 (EGDME)，CAS 编号为 110-71-4。

警告

- 如果未正确更换电池，则存在爆炸危险。

- 仅应更换上同型号的电池。
- 应根据当地法规或电池制造商的说明处理废电池。

半球罩

注意

- 小心不要划伤、损坏或在半球罩上留下指纹，因为这可能会降低图像质量。如果可能，请保留半球罩上的保护塑料，直至安装完成。
- 请勿清洁看起来干净的半球罩，也不要对表面进行抛光。过度清洁可能会损坏表面。
- 对于半球罩的一般清洁，建议将无腐蚀性、不含溶剂的中性肥皂或洗涤剂与纯水混合，并使用柔软、干净的布进行清洁。用温水冲洗干净。用一块柔软干净的布擦干，以避免留下水渍。
- 切勿使用带有刺鼻气味的洗涤剂、汽油、苯、丙酮或类似化学品。
- 避免在阳光直射或高温下清洁半球罩。
- 确保在操作模式下连接半球，否则可能会影响对焦。

